

— EST. 1987 —

A H B

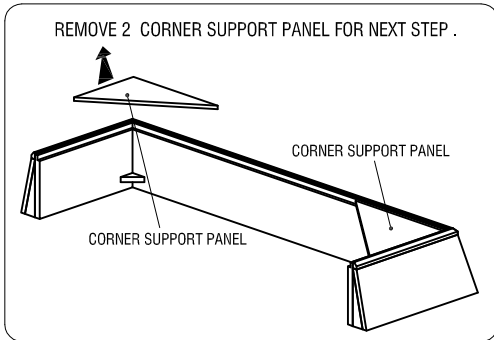
HOME FURNITURE COLLECTIONS

ASSEMBLY INSTRUCTIONS

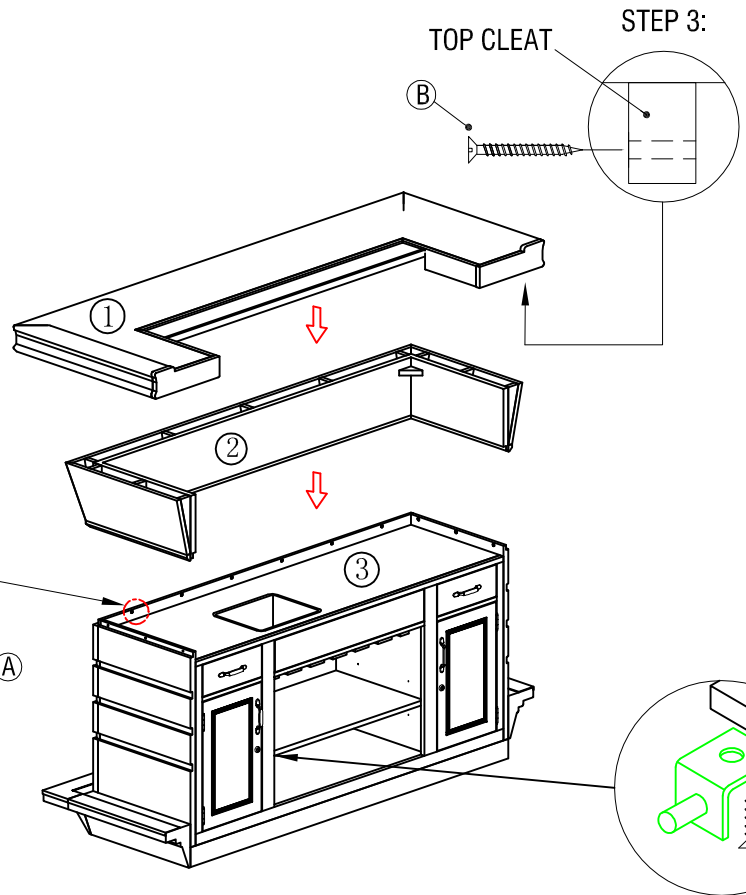
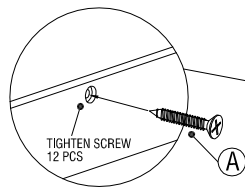
CALIENTE BAR

LOOSELY ATTACH EACH SCREW UNTIL FRAME IS ASSEMBLED THEN TIGHTEN WHEN COMPLETE

STEP 1:

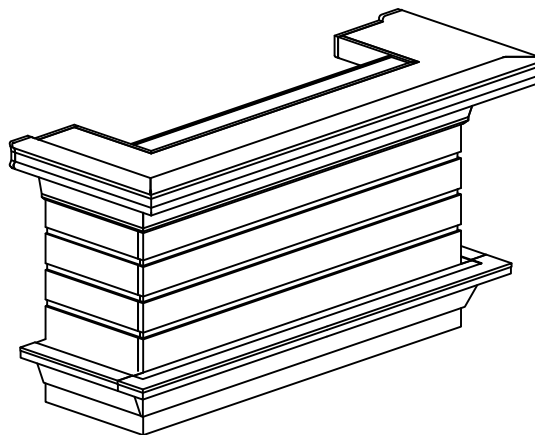


STEP 2:



STEP:4





Assembly is complete.



MADE IN CHINA

HARDWARE LIST

PARTS LIST

<p>A</p>  <p>Screws Ø8X1" 12pcs</p>	<p>B</p>  <p>Bar Top Screws Ø8X1-1/4" 8pcs</p>	<p>C</p>  <p>Wrench 12mm 1pc</p>	<p>D</p>  <p>Cup Holder Ø80mm 4pcs</p>	<p>1</p> <p>Top 1pc</p>	<p>2</p> <p>Frame 1pc</p>	
				<p>3</p> <p>Base 1pc</p>		