

A H B

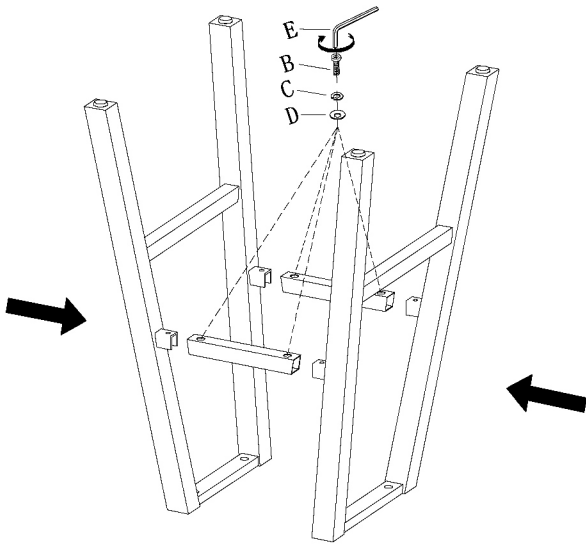
HOME FURNITURE COLLECTIONS

ASSEMBLY INSTRUCTIONS

ATTERBURY STOOL

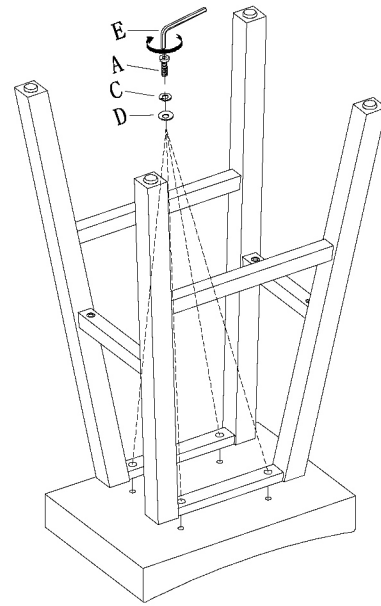
LOOSELY ATTACH SCREW UNTIL FRAME IS ASSEMBLED THEN TIGHTEN WHEN COMPLETE

STEP 1



Attach both side runners to the legs using Bolts (A), Lock Washer (C), and Flat Washer (D).

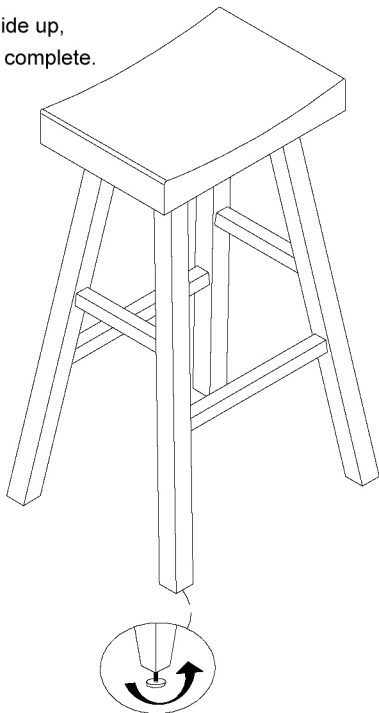
STEP 2



Attach the assembled leg set to the wood seat using Bolts (A), Lock Washer (C), and Flat Washer (D).

STEP 3

Turn stool right side up, assembly is now complete.



Adjustable Levelers

HARDWARE LIST

QTY

OUTLOOK

A	BOLT (5/16" * 1-1/4")	4	
B	BOLT (5/16" * 3/4")	4	
C	LOCK WASHER (5/16")	8	
D	FLAT WASHER (5/16" * 19 MM)	8	
E	WRENCH (5/16")	1	

