

# Wireless logger MD8000 series with monitoring function

## Ethernet connection model receiver



Wireless logger with monitoring function MD 8000 series (Ethernet connection Continuous model), is a system equipment which of receiver received data wirelessly such as temperature, humidity, voltage signal and alarm from dedicated transmitters distributed (up to 60 units), transfers data to PC which connected to Ethernet, and dedicated application software (sold separately) collects data or monitors various alarms. Since dedicated application software can manage 6 receivers connected to Ethernet at most, It is possible to manage transmitters data and systems up to 360. This manual contains instructions for the receiver which is designed to handle all models of transmitter of Ethernet connection model.



### ■ Model

#### MD800R-00L

##### Specifications

- Main unit usage environment: 0 to 40 ° C, 20 to 80% RH (no condensation)
- Power supply: Dedicated AC adapter 100 to 240 VAC ± 10% 50/60 Hz
- Power consumption: Approximately 3 W (during wireless communication)
- Weight: Approximately 110 g
- Material: ABS resin
- Accessories: Manual instruction 1
  - Dedicated AC adapter (cable length 1.5 m) 1 piece
  - LAN cable for data communication (1.5 m) 1
  - Quick reference 1
  - Wood screws for wall mounting

##### Setting

- The setting of the receiver is done from dedicated application software installed in the computer.
- Transmitter registration: Store individual ID of transmitter (registration is possible even without software)
- Ethernet communication setting: IP address (IPv4), subnet mask, default gateway, etc.
- E-mail transmission network setting: E-mail transmission destination address, sender's address, SMTP server etc.
- Alarm mail transmitter valid / invalid: Set transmitter to send e-mail when alarm occurs
- Alarm contact assignment: Assigns measured value alarm from transmitter to external contact output (2 outputs)
- Contact operation: select from linked with alarm state / 1 second pulse output / clear operation.
- Contact output logic: Normal open / Abnormal short circuit or oppositely (but open at power shutdown)
- Key lock: Lock the receiver button operation
- Clock: Time setting of the built-in clock of the receiver
- Monitoring cycle: Period setting of received monitoring data
- Wireless communication discontinuity alarm: When the specified number of times of wireless communication fails consecutively on the same transmitter.

##### Wireless specifications

- Wireless system: Specified low-power wireless ARIB STD-T67
- Frequency used: 429.2500 to 429.7375 MHz
- Transmission output: 10 mW

##### Communication distance

- Indoor outlook Approximately 100 m
- Outdoor outlook Approximately 400 m
- It varies depending on the use environment

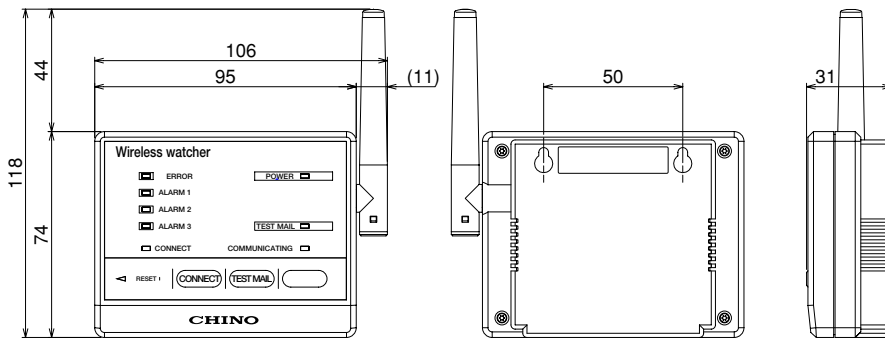
##### LED lamp indication

- POWER (Green) ... Power indicator
- ERROR (Red) ... Receiver function abnormality and internal lithium battery low level..
- ALARM 1, 2 (Red) ... Receive measurement value alarm from transmitter
- ALARM 3 (Red) ... transmitter / receiver function abnormality, power supply battery low level, AC power shutdown, transmitter recorded data missing, alarm, e-mail transmission failure, wireless disconnection warning occurrence
- CONNECT (Green) Application is running) ... transmitter registration status
- TEST MAIL (Green) ... Test e-mail transmission state
- COMMUNICATING (Green) ... Wireless communication status

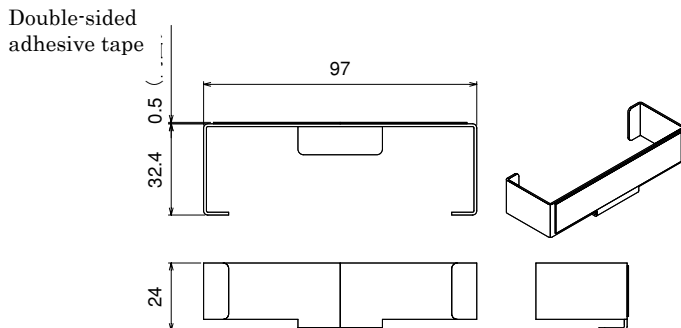
Functional specification

Wireless communication: Send to transmitter Clock information and setting value Received from transmitter  
 Radio field intensity, battery level, AC power off, equipment abnormality, measurement data, measured value alarm  
 E-mail notification: Send e-mail when a transmitter alarm occurs, or a device error occurs  
 Transmitter allocation: Alarm contact output, mail reporting, select transmitter which monitoring.  
 Contact output Output operation by alarm reception assigned to ALARM 1 and 2 Output operation when ALARM 3 occurs  
 Contact specifications ... Load voltage max 30 V DC, Load current max 70 mA, ON resistance max 35 Ω  
 Applicable connection cable ...  
 Single wire AWG 22 to 16, twisted wire AWG 24 to 16  
 Computer communication:  
 Ethernet (10BASE-T / 100BASE-TX)  
 Connect receiver and PC with UTP-LAN cable  
 (Straight / Cross Automatic Judgment, Category 5e Recommended, within 100m)  
 Communication protocol TCP-IP, UDP-IP, ICMP  
 Communication contents ... receiver setting information, transmitter setting information, recorded data information, alarm information, ALARM 3 contact operation, wireless communication trigger, configuration information of wireless communication system mail transmission history, UDP broadcast communication response, ICMP command response  
 Monitoring: Reads recorded data of transmitter periodically (maximum of 60 units).  
 Cycle ... None, 1, 5, 10, 15, 20, 30, 60 minutes, 3 hours, 6 hours  
 Alarm reception: The generation / release of alarms transmitted from the transmitter (maximum of 60 units) is saved for each type. Also, an alarm is generated when wireless communication is disconnected  
 Clock backup : Back up clock information with built-in lithium battery  
 \* Battery life ... about 10 years  
 \* Clock accuracy ... ± 60 seconds / month (ambient temperature 20 ° C)  
 \* Clock synchronization with the computer is also possible  
 Wireless network: Remember registered transmitter and network topology  
 Information retention

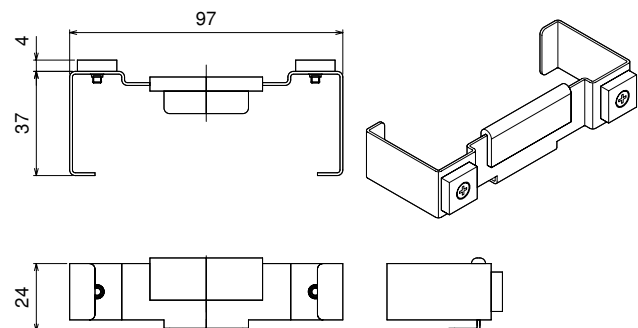
External dimensions



● Mounting holder (optional)  
 Double-sided adhesive tape type (MD901R)



Magnet mounting type (MD902R)



Unit : mm

株式会社 **手**  
 〒173-8632 東京都板橋区熊野町32-8  
 ☎ 03-3956-2111

URL : <http://www.chino.co.jp/>

営業所： 札幌 仙台 新潟 水戸 高崎 大宮 千葉 東京 立川 横浜 厚木 静岡 富山 名古屋 大津 大阪 岡山 広島 高松 福岡 北九州

**安全に関するご注意**

※記載製品は、一般工業計器として設計・製造したものです。  
 ※本製品の設置・接続・使用に際し、取扱説明書をよくお読みの上、正しくご使用ください。  
 ※記載内容は性能改善等により、お断りなく変更することがございますのでご了承ください。  
 ※本PSシートの記載内容は2016年10月現在のものです。

PDF

**PX-40-1**