

Polytron 7000 [4683.100]



ORDER INFORMATION

Order

When placing an order for a spare part it is necessary to provide only the order number listed in the spare parts list. Where no pack quantity is indicated this means 1 item. In the case of a spare parts set or kit (1) then this may include multiple quantities of mixed items. When a pack quantity is shown; then the minimum order quantity must correspond with the pack quantity or multiples of the pack quantity.

Examples:

1. A customer orders 1 item:
 - When entering the order the order quantity is automatically increased to 10 items (1 package).
 - Price charged: 1 package at 9.00 GBP.
2. A customer orders 3 items:
 - When entering the order the order quantity is automatically increased to 10 items (1 package).
 - For order quantity and price charged please see above example no. 1.
3. A customer orders 16 items:
 - When entering the order, the order quantity is automatically increased to 20 items (2 packages).
 - Quantity delivered 2 packages with 10 items in each.
 - Price charged: 2 packages at 9.00 GBP each; total price = 18.00 GBP.

Spare parts sets or kits

All the items contained in a spare parts set or kit must be used when carrying out a repair. Only by exchanging the complete sets can the correct functioning of the repaired device be assured.

Spare parts for authorised service stations

Items marked with a "T" in front of the order number can be obtained only by service-stations authorised exclusively through

Export authorisation

Items marked with an "X" in front of the order number are subject to an export authorisation requirement. Legal regulations with regards to these materials must be observed.

Repair-Exchange (REX)

A repair-exchange is normally carried out only if a repairable part has been returned by the customer. Dräger will charge the new list price for the new part, if the customer's old part is not received within described period.

Prices

Unless agreed otherwise, the prices are ex works including loading at the works and do not include statutory VAT. Prices are valid at the date of print. For further information, refer to the "Standard Terms and Conditions for Goods and Services of Dräger Safety AG & Co. KGaA per June 2005". Contact the local Dräger office for details.

Polytron 7000 [4683.100]

Polytron 7000



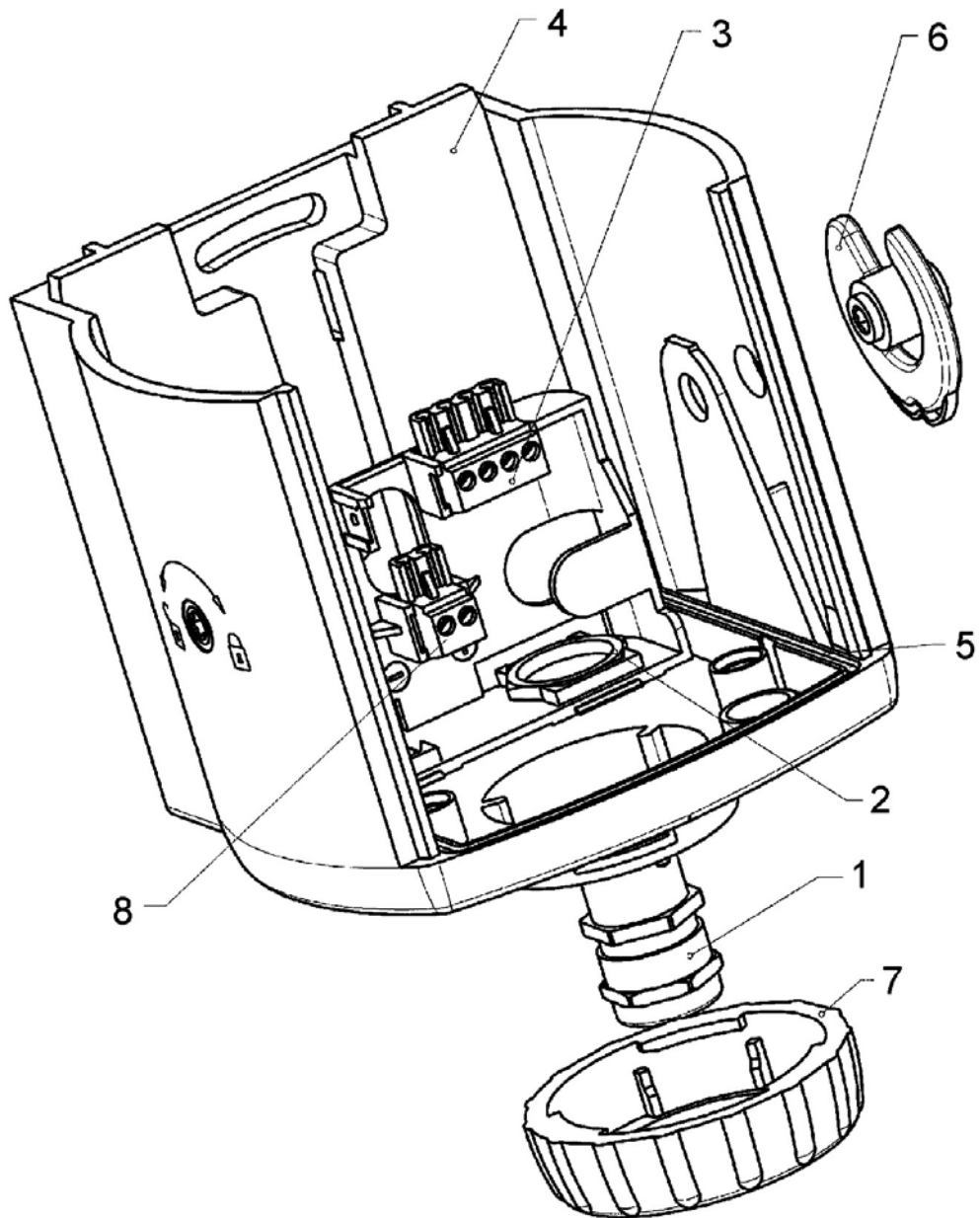
Polytron 7000 [4683.100]

Polytron 7000

Item Number	Description	Order Number	Product group	Packing quantity	Packing unit	End of repair
	Docking Station					
	Measuring unit					
	Relais module					
	Pump module					
	Remote sensor					
	Duct mount set					

*Service
Only*

Polytron 7000 [4683.100]
Docking Station

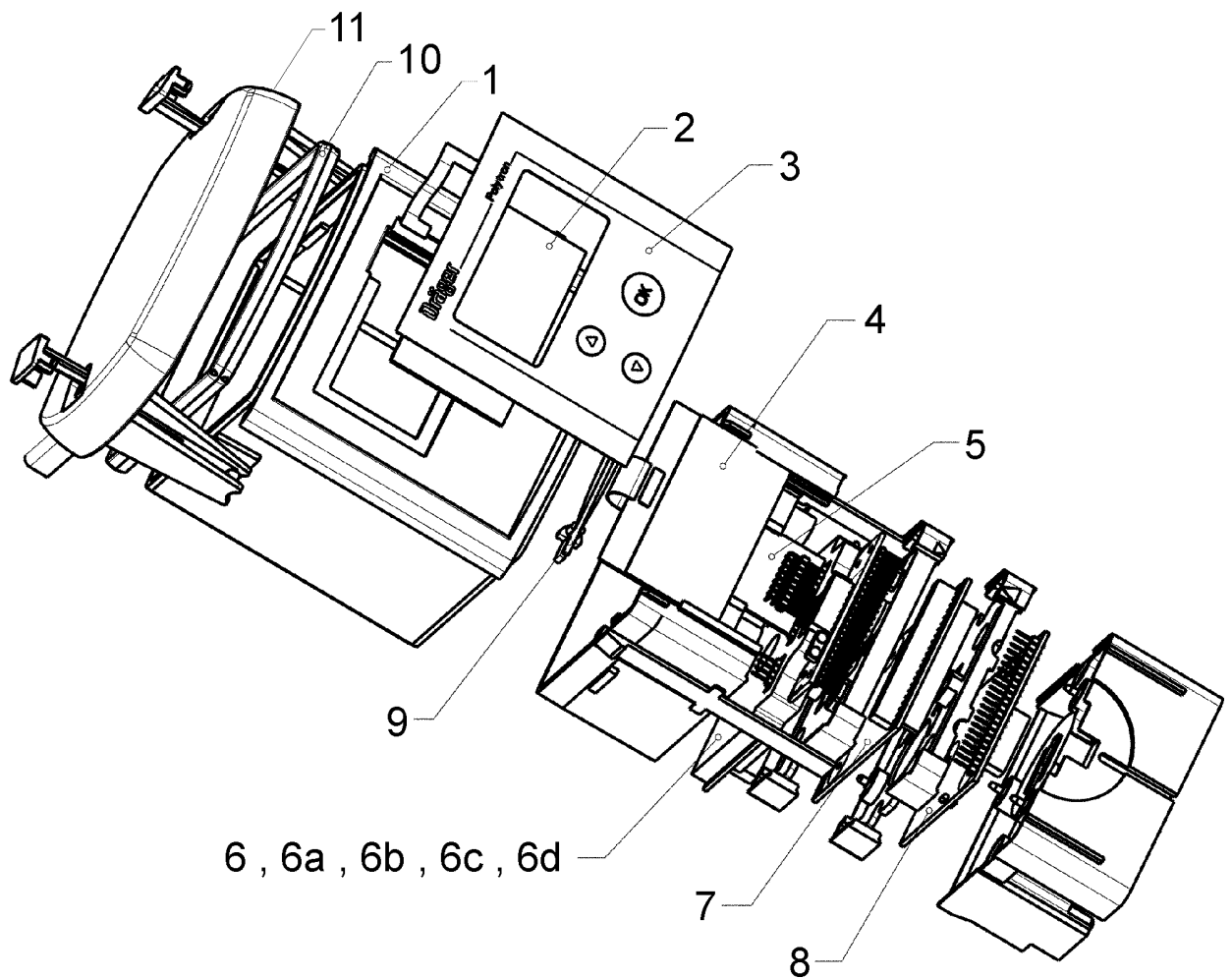


Polytron 7000 [4683.100] Docking Station

Item Number	Description		Order Number	Product group	Packing quantity	Packing unit	End of repair
-	Polytron 3000/7000 Docking Station		8317990	347	1	ST	
1-3	Cable Entry Set Polytron 7000		8317282	348	1	ST	
1	Set HAWKE Cable Gl. P3000/7000		8319029	348	1	ST	
3	CLIP 4-POLE	T	8316268	394	5	ST	
5	SEALING	T	8316427	394	10	ST	
6	Eccentric catches Dock.Station	T	8316436	394	1	ST	
7	POLYTRON 3000 / 7000 RING	T	8316447	394	10	ST	
8	CLIP 2-POLE	T	8316422	394	10	ST	

*Service
Only*

Polytron 7000 [4683.100] Measuring unit



Polytron 7000 [4683.100]

Measuring unit

Item Number	Description		Order Number	Product group	Packing quantity	Packing unit	End of repair
1-3	Housing compl. Polytron 7000	T	8317281	394	1	ST	
4	SIDDC Display P7000 64 128 3.6V/15.0V	T	1894281	394	1	ST	
5	PCB HIC Polytron 7000	T	8317161	394	1	ST	
6	PCB 4-20mA/ Hart Polytron 7000	T	8317171	394	1	ST	
6a	PCB 4-20mA Polytron7000	T	8317176	394	1	ST	
6b	PCB LON-Modul Polytron 7000	T	8318217	394	1	ST	
6c	BEST. LP PB-MODUL	T	8319241	394	1	ST	
6d	BEST. LP FF-MODUL	T	8319246	394	1	ST	
7	PCB MYC Polytron 7000	T	8317101	394	1	ST	
8	PCB SIOS Polytron 7000	T	8317111	394	1	ST	
9	Stopper Polytron 7000	T	8317288	394	1	ST	
10	SEALING	T	8316427	394	10	ST	
11	Spare Part Kit Cover Polytron 7000	T	8321400	394	1	ST	
	Subsequent position not illustrated:						
	Accessory:						
-	Polytron 7000 Data Dongle		8317618	347	1	ST	
-	Sensor Dongle, progr.		8317619	347	1	ST	
-	Polytron 7000 Sensor Diagnostics Dongle		8317860	347	1	ST	
-	Foundation Fieldbus Jumper		8319561	347	1	ST	
-	POLYTRON C DUCT MOUNTING KIT		8317150	348	1	ST	
-	CALIBRATION ADAPTOR		6806978	348	1	ST	
-	CAL ADAPTOR		6809380	348	1	ST	
-	IR-Adaptor cpl.+3m cable P7000		8318080	348	1	ST	
-	Palm /HHT- Cradle		8319087	348	1	ST	
-	Inline Filter P3500/7500		8317477	394	1	ST	
-	Polytron 7000 4-20		8317590	347	1	ST	07.13
-	Polytron 7000 4-20 Relay		8317626	347	1	ST	07.13
-	Polytron 7000 4-20 Pump		8317627	347	1	ST	07.13
-	Polytron 7000 4-20 Relay Pump		8317628	347	1	ST	07.13
-	Polytron 7000 Display		8317610	347	1	ST	
-	Polytron 7000 Display c/w Relay		8317636	347	1	ST	
-	Polytron 7000 Display c/w Pump		8317637	347	1	ST	
-	Polytron 7000 Display c/w Relay & Pump		8317638	347	1	ST	
-	Polytron 7000 HART		8317690	347	1	ST	07.13
-	Polytron 7000 HART Relay		8317696	347	1	ST	07.13
-	Polytron 7000 HART Pump		8317697	347	1	ST	07.13
-	Polytron7000 HART Relay Pump		8317698	347	1	ST	07.13

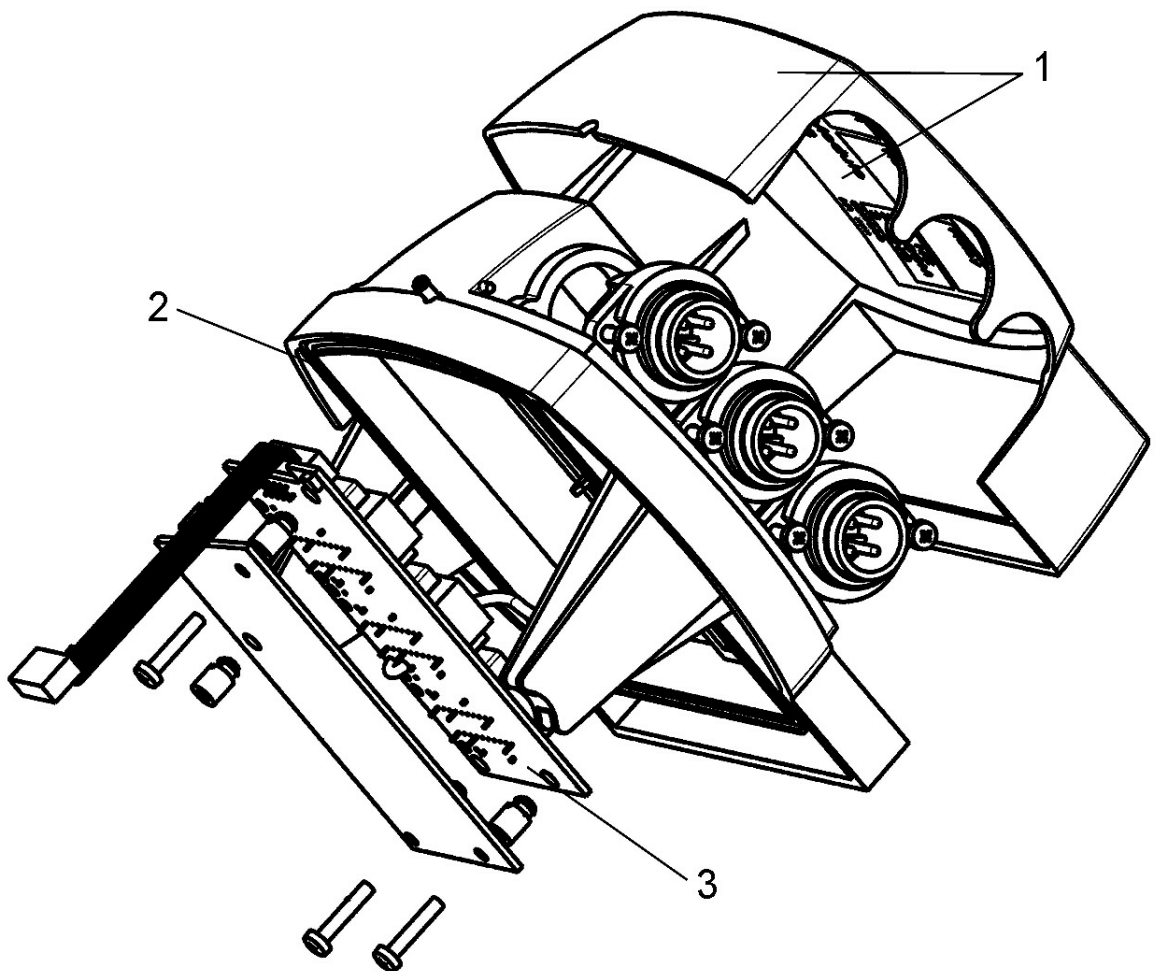
Polytron 7000 [4683.100] Measuring unit

Item Number	Description	Order Number	Product group	Packing quantity	Packing unit	End of repair
-	PEC7000 4-20mA HART D	8317710	347	1	ST	
-	Polytron 7000 Display HART c/w Relay	8317776	347	1	ST	
-	Polytron 7000 Display HART c/w Pump	8317777	347	1	ST	
-	Polytron 7000 Disp HART c/w Relay & Pump	8317778	347	1	ST	
-	Polytron7000 D 4-20+S.D.Dongle	8317980	347	1	ST	

*Service
Only*

Polytron 7000 [4683.100]

Relais module



Polytron 7000 [4683.100]

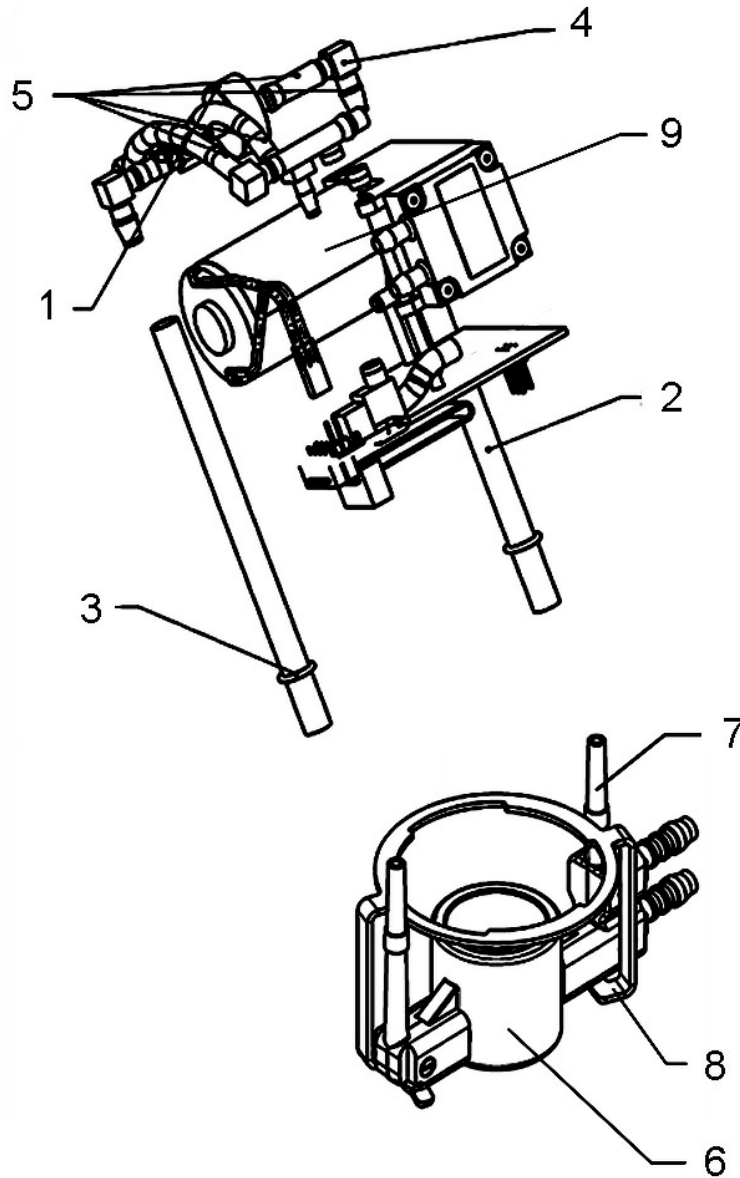
Relais module

Item Number	Description		Order Number	Product group	Packing quantity	Packing unit	End of repair
-	Polytron 7000 Relays		8317360	347	1	ST	
1	Cap compl. Polytron 7000	T	8317284	394	1	ST	
2	SEALING	T	8316427	394	10	ST	
3	PCB Relay Polytron 7000	T	8317121	394	1	ST	
-	Cable Connector Relay P7000 not illustrated		1890086	348	1	ST	
-	Z FERRITE RING 158OHM 11,5X5,0 not illustrated	T	1892365	348	1	ST	

*Service
Only*

Polytron 7000 [4683.100]

Pump module



Polytron 7000 [4683.100]

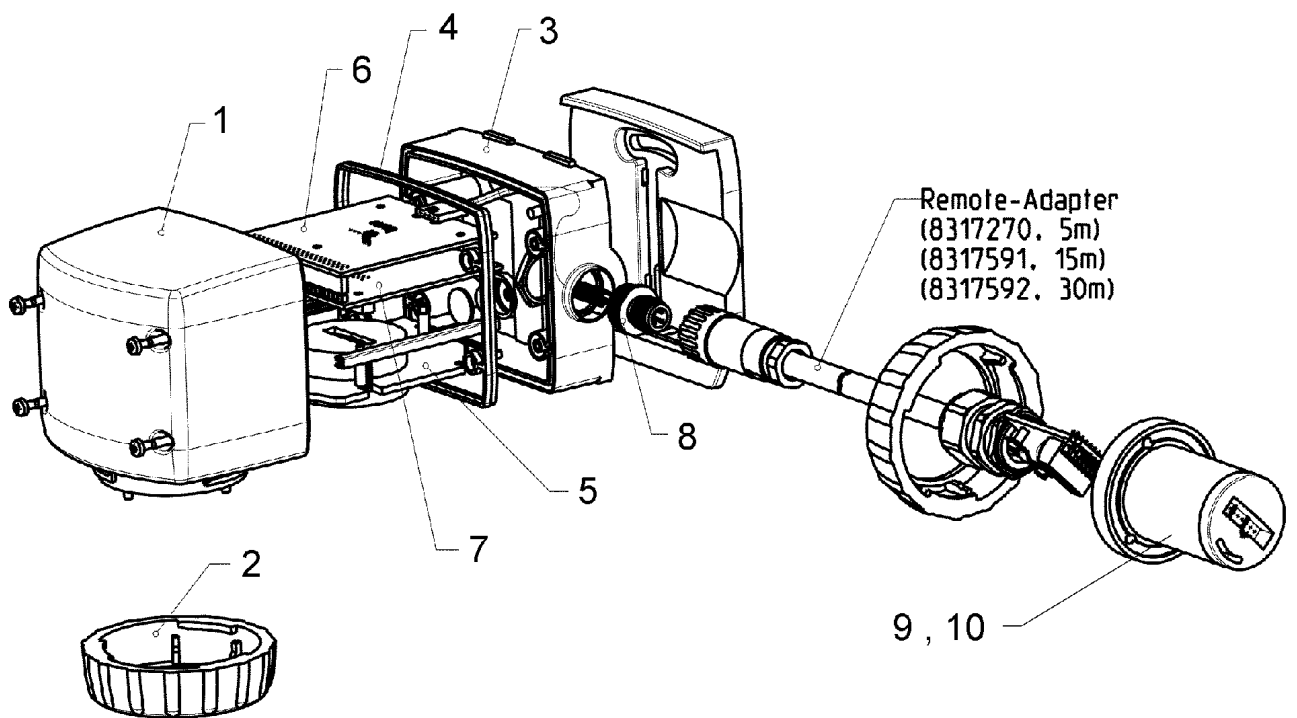
Pump module

Item Number	Description		Order Number	Product group	Packing quantity	Packing unit	End of repair
1-6	Polytron 7000 Internal Pump		8317350	347	1	ST	
1-5	Rep. Set Filter Polytron 7000	T	8317283	394	1	ST	
1	Inline Filter P3500/7500	T	8317477	394	1	ST	
2	Tubes f.Pump Polytron 7000	T	8317356	394	2	ST	
3	O-RING, BG WHISTLE		E20566	599	5	ST	
6	Pump adapter (Polytron 7000) consists of position number 6, 7, 8		8320900	394	1	ST	
7	sealing grommet	T	8320904	394	1	ST	
8	bail		8320903		1		
9	Pump compl. Polytron 7000	T	8317346	394	1	ST	
	Accessory:						
-	Pump Adapter AC not illustrated		8317976	348	1	ST	
-	Z FERRITE RING 158OHM 11,5X5,0 not illustrated		1892365	348	1	ST	

*Service
Only*

Polytron 7000 [4683.100]

Remote sensor



Polytron 7000 [4683.100]

Remote sensor

Item Number	Description		Order Number	Product group	Packing quantity	Packing unit	End of repair
1-8	Polytron 7000 Remote Sensor Adaptor		8317275	348	1	ST	
2	POLYTRON 3000 / 7000 RING	T	8316447	394	10	ST	
3	Anschluss R	T	8317272		1	ST	
4	Sealing Polytron 7000	T	8317273	394	1	ST	
5	Codierplatte	T	8317289	348	1	ST	
6	PCB remote sensor Polytron7000	T	8317151	394	1	ST	
7	PCB SIOS Polytron 7000	T	8317111	394	1	ST	
8	Cable harness Polytron 7000 with plug socket and code plug	T	8317699	394	1	ST	
	Accessory:						
-	Polytron 7000 Remote Duct Adapter not illustrated		8317617	348	1	ST	
9	POLYTRON SENSOR CL2		6809665	367	1	ST	
9	DRAEGERSENSOR COCL2		6809930	367	1	ST	
9	POLYTRON CO SENSOR		6809605	367	1	ST	
9	POLYTRON CO LS SENSOR		6809620	367	1	ST	
9	POLYTRON H2 SENSOR		6809685	367	1	ST	
9	POLYTRON H2 O2 SENSOR		6809705	367	1	ST	
9	DRAEGERSENSOR H2O2 HC		6809675	367	1	ST	
9	H2S SENSOR		6810435	367	1	ST	
9	POLYTRON H2S LC SENSOR		6809610	367	1	ST	
9	POLYTRON SENSOR H2S HC		6809710	367	1	ST	
9	HCL SENSOR		6809640	367	1	ST	
9	POLYTRON SENSOR HCN		6809650	367	1	ST	
9	POLYTRON HYDRIDE A SENSOR		6809635	367	1	ST	
9	POLYTRON PH3/ASH3 SENSOR		6809695	367	1	ST	
9	Sensor Hydride SC		6809980	367	1	ST	
9	HYDRAZINE SENSOR		6810180	367	1	ST	
9	POLYTRON NF3 PYROLYSER SENSOR		6809310	367	1	ST	
9	POLYTRON NH3 SENSOR		6809645	367	1	ST	
9	POLYTRON SENSOR NH3		6809680	367	1	ST	
9	SENSOR NH3 LS		6808700	367	1	ST	
9	POLYTRON NO LC SENSOR		6809625	367	1	ST	
9	POLYTRON NO HC SENSOR		6809715	367	1	ST	05.08
9	POLYTRON SENSOR NO2		6809655	367	1	ST	
9	POLYTRON SENSOR OV		6809615	367	1	ST	
9	DRAEGER SENSOR OV 1		6810740	367	1	ST	
9	SENSOR OXYGEN LS		6809630	367	1	ST	

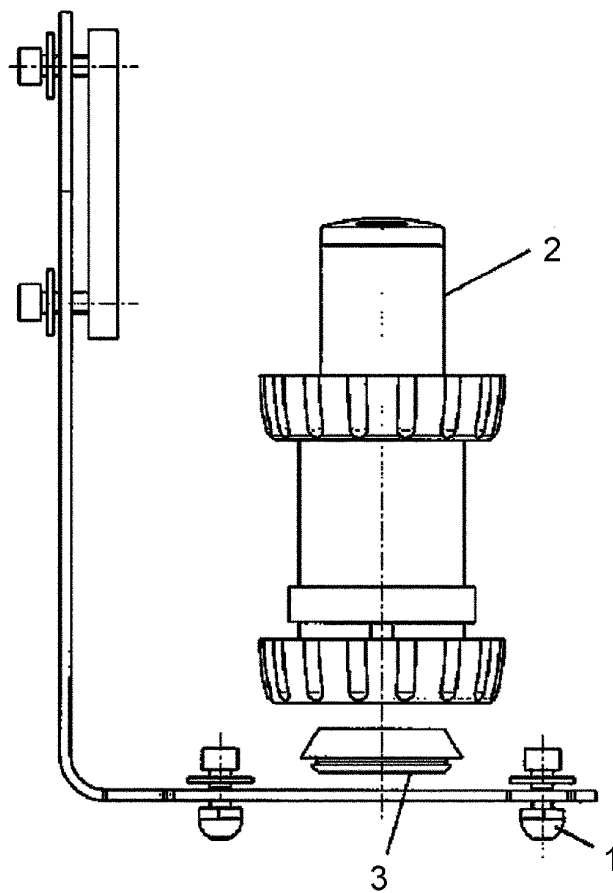
Polytron 7000 [4683.100]

Remote sensor

Item Number	Description	Order Number	Product group	Packing quantity	Packing unit	End of repair
9	POLYTRON SENSOR O2	6809720	367	1	ST	
9	OZONE SENSOR	6810290	367	1	ST	
9	SENSOR SO2	6809660	367	1	ST	
9	SENSOR ACIDIC COMPOUNDS	6810595	367	1	ST	
9	CL2 L SENSOR	6809370	367	1	ST	
9	SENSOR HF/HCL	6809360	367	1	ST	
10	DUST FILTER NEW SENSOR suitable for all Drägersensor	6809595	348	1	ST	
10	SELECTIVE FILTER suitable for: 6809605 Sensor CO, 6809620 Sensor CO LS, 6809685 Sensor H2	6809684	348	1	ST	
10	SELECTIVE FILTERS CF suitable for: 6809655 Sensor NO2	6809658	348	1	ST	
10	SELECTIVE FILTER K1S suitable for: 6809660 Sensor SO2	6809663	348	1	ST	
10	FILTER,SELECTIVE K2F,DRAEGERSENSORS suitable for: 6809930 Sensor COCl2	6809933	348	1	ST	
10	SELECTIVE FILTER MF FOR DRAEGERSENSOR suitable for: 6809635 Sensor Hydride, 6809695 Sensor PH3/ AsH3	6809638	348	1	ST	
10	SELECTIVE FILTER B F suitable for: 6809650 Sensor HCN, 6809635 Sensor Hydride, 6809980 Sensor Hydride SC	6809653	348	1	ST	
10	Selective Filter PF suitable for: 6809980 Sensor Hydride SC, 6809650 Sensor HCN	6810748	348	1	ST	

Service
Only

Polytron 7000 [4683.100]
Duct mount set



Polytron 7000 [4683.100]

Duct mount set

Item Number	Description		Order Number	Product group	Packing quantity	Packing unit	End of repair
1	BASE	T	8317160	394	1	ST	
2	DUCT-EXTENSION, COMPL.	T	8317199	394	1	ST	
3	DUCT-SLEEVE	T	8317158	394	1	ST	

*Service
Only*