



## Data Sheet

# T5500/T6500 Pressure Gauges

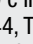
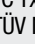
### FEATURES

- **PLUS!**™ Performance dampens vibration, shock and pulsation effects
- Rugged all welded stainless steel design
- Overload protection to 400% of range (XRA option)
- Low ambient temperature option for arctic conditions from -94 °F (-70 °C) for T6500 100mm only
- Optional ATEX approved   II 2 GD c

### TYPICAL USES

- Offshore oil rigs
- Chemical and petrochemical plants
- Power
- Pulp and paper
- Machine equipment
- Specialized OEM equipment
- Food and beverage

### SPECIFICATIONS

Accuracy:	1% of span (STD.), 0.5% of span (OPT.)
Size:	100 mm, 160 mm
Range:	Vacuum, compound, pressure psi: -30in., Hg-0, 0-20,000
Process Conn. Location:	Lower, back
Process Conn. Size:	¼ NPT Male, ½ NPT Male, G ¼ NPT, B Male, G ½ NPT B Male
Case Style:	T5500: Open front with rear blowout disk T6500: Solid front with full rear blowout back
Movement:	Adjustable
Window Material:	T5500: Glass (STD.), polycarbonate, safety glass (OPT.) T6500: Safety glass (STD.), polycarbonate (OPT.)
Dial:	Aluminum, white background, black figures and intervals
Pointer:	Aluminum
Weather Protection:	Dry: IP66 and NEMA 4X Liquid filled: IP66/67 and NEMA 4X Hermetically sealed case: IP66/67 and NEMA 4X
Dampening Options:	<b>PLUS!</b> ™ Performance, throttle screw, dampeners, snubbers and fill fluids
Mounting:	Stem, flush and surface
Approvals:	CRN, ATEX: Conformity acc. to RL 2014/34/EU appendix X for mechanical equipment in potential hazardous areas Optional, Marking   II 2 GD c IIC Tx: File No. 35134585 at notified body 0044, TÜV NORD CERT (only with safety glass or polycarbonate glass)

### WETTED COMPONENTS

Bourdon Tube	Process Connection	Joints
316L SS, Monel® 400	316 SS	Welded



**T5500/T6500**

100 mm, 160 mm dial size



### KEY BENEFITS

- High overpressure for safety (option)
- Low ambient temperature for severe environments (option)
- Weatherproof Protection IP66, NEMA 4X

### NON-WETTED COMPONENTS

Case	Ring	Back Cover
304 SS (STD.)	304 SS	304 SS
316 SS (OPT.)	316 SS	316 SS

### MIN/MAX TEMPERATURE LIMITS

Version	Ambient	Process	Storage
Dry	-40 °F to 158 °F (-40 °C to 70 °C)	-40 °F to 392 °F (-40 °C to 200 °C)	-40 °F to 158 °F (-40 °C to 70 °C)
<b>PLUS!</b> ™	-19 °F to 158 °F (-7 °C to 70 °C)	-40 °F to 212 °F (-40 °C to 100 °C)	-40 °F to 158 °F (-40 °C to 70 °C)
Glycerin fill	19 °F to 158 °F (-7 °C to 70 °C)	19 °F to 199 °F (-7 °C to 93 °C)	-40 °F to 158 °F (-40 °C to 70 °C)
Silicone fill	19 °F to 158 °F (-7 °C to 70 °C)	-40 °F to 199 °F (-40 °C to 93 °C)	-40 °F to 158 °F (-40 °C to 70 °C)
Halocarbon® fill	19 °F to 158 °F (-40 °C to 70 °C)	-40 °F to 200 °F (-40 °C to 93 °C)	-40 °F to 158 °F (-40 °C to 70 °C)
ATEX	19 °F to 158 °F (-7 °C to 70 °C)	-40 °F to 392 °F (-40 °C to 200 °C)	-40 °F to 140 °F (-40 °C to 60 °C)

## T5500/T6500 Pressure Gauges

ORDERING CODE	Example:	10T5500	S	D	02	L	15#	XC4
<b>Dial Size/Model Code</b>								
10T5500 -100 mm - 304 SS case, open front		10T5500						
16T5500 -160 mm - 304 SS case, open front								
10T6500 -100 mm - 304 SS case, solid front								
16T6500 -160 mm - 304 SS case, solid front								
<b>System</b> (tube and process connection)								
S - 316L Stainless steel			S					
P - Monel® 400								
<b>Case Design</b>								
D - Dry				D				
L - Liquid fill								
<b>Process Connection Sizes</b>								
02 - ¼ NPT Male					02			
04 - ½ NPT Male								
13 - G ¼ Male								
15 - G ½ Male								
<b>Process Connection Location</b>								
L - Lower						L		
B - Back (T5500 only)								
<b>Range</b> (coding examples only, see range table on page 4 for all standard ranges)								
<b>Single Scales</b>								
15# - 15 psi							15#	
1KG - 1 kg/cm <sup>2</sup>								
1BR - 1 bar								
160KP - 160 kilopascal								
<b>Options</b> (If choosing an option(s) must include an "X") (See table 1 on page 3 for more options)								
LL - <b>PLUS!</b> ™ Performance								X__
NZ - <b>PLUS!</b> ™ Performance, silicone free								
NH - Stainless steel tag wired to case								
6B - Cleaned for gaseous oxygen service								
C4 - Individual calibration chart								C4
5G - Attach one accessory to gauge. Applicable to PL02 pressure limiting valve V02,V03 valves, 1098, 1100, 1198, 2198 siphons, 7001, 7004 needle valves, 1115 capillary, 1106 pulsation dampner, 1112, PD02 pressure snubbers, MDV swivel adapter.								

When selecting a diaphragm seal or isolation ring, refer to the [Min/Max Guide](#) for compatibility with this gauge or scan the QR code to the right.



**T5500/T6500 Pressure Gauges**
**TABLE 1** (Ordering Codes Continued)

CODE	OPTION
AJ	Calibration 0.5% full scale
AT	ATEX
TU	Throttle plug
QC	Low temperature silicone fill for ambient temperature down to -94°F (-70°C), including Fluorosilicone sealing (for 100 mm T6500 only)
YW	316L Stainless steel case
PD	Polycarbonate window
NG	Non-glare glass (N/A with liquid fill or hermetically sealed cases)
OS	Overload stop
PD	Acrylic window (STD. with liquid filled or hermetically sealed cases)
SH	Red set hand, stationary
SG	Safety glass
D3	DuraVis™ Retroreflective Dial (100mm only, dry case only)
VS	Underload stop
RA	High over pressure. (see XRA data sheet for specifics. Not available with all ranges shown on this data sheet.)
BF	Surface mounting bracket
D3	DuraVis™ retroreflective dial (4½" and dry case only)

# Data Sheet

## T5500/T6500 Pressure Gauges

### RANGES

T5500, T6500						
	psi	bar	kPa	MPa	kg/cm <sup>2</sup>	Notes
Vacuum	30IMV	N1BR	N100KP	N1MP	N1KG	Not available with <b>PLUS!</b> ™ Performance (LL or NS option)
	–	N1/.6BR	N100/60KP	.1/.06MP	N1/.6KG	
Compound	V/15#	–	–	–	–	
	–	N1/1.5BR	N100/150KP	N.1/.15MP	N1/1.5KG	
	V/30#	–	–	–	–	
	–	N1/3BR	N100/300KP	N.1/.3MP	N1/3KG	
	V/60#	–	–	–	–	
	–	N1/5BR	N100/500KP	N.1/.5MP	N1/5KG	
	V/100#	–	–	–	–	
	–	N1/9BR	N100/900KP	N.1/.9MP	N1/9KG	
	15#	1BR	100KP	.1MP	1KG	
	20#	–	–	–	–	
–	1.6BR	160KP	.16MP	1.6KG		
30#	–	–	–	–		
–	2.5BR	250KP	.25MP	2.5KG		
60#	4BR	400KP	.4MP	4KG		
–	6BR	600KP	.6MP	6KG		
100#	–	–	–	–		
120#	–	–	–	–		
–	10BR	1000KP	1MP	10KG		
160#	–	–	–	–		
200#	–	–	–	–		
–	16BR	1600KP	1.6MP	16KG		
300#	–	–	–	–		
–	25BR	2500KP	2.5MP	25KG		
400#	–	–	–	–		
500#	–	–	–	–		
600#	40BR	4000KP	4MP	40KG		
800#	–	–	–	–		
–	60BR	6000KP	6MP	60KG		
1000#	–	–	–	–		
1500#	100BR	10000KP	10MP	100KG		
2000#	–	–	–	–		
–	160BR	16000KP	16MP	160KG		
3000#	–	–	–	–		
–	250BR	25000KP	25MP	250KG		
4000#	–	–	–	–		
5000#	–	–	–	–		
6000#	400BR	40000KP	40MP	400KG		
8000#	–	–	–	–		
–	600BR	60000KP	60MP	600KG		
10000#	–	–	–	–		
15000#	1000BR	100000KP	100MP	1000KG	Not available with <b>PLUS!</b> ™ Performance (LL or NS option)	
	1400BR					
20000#	–	–	–	–		

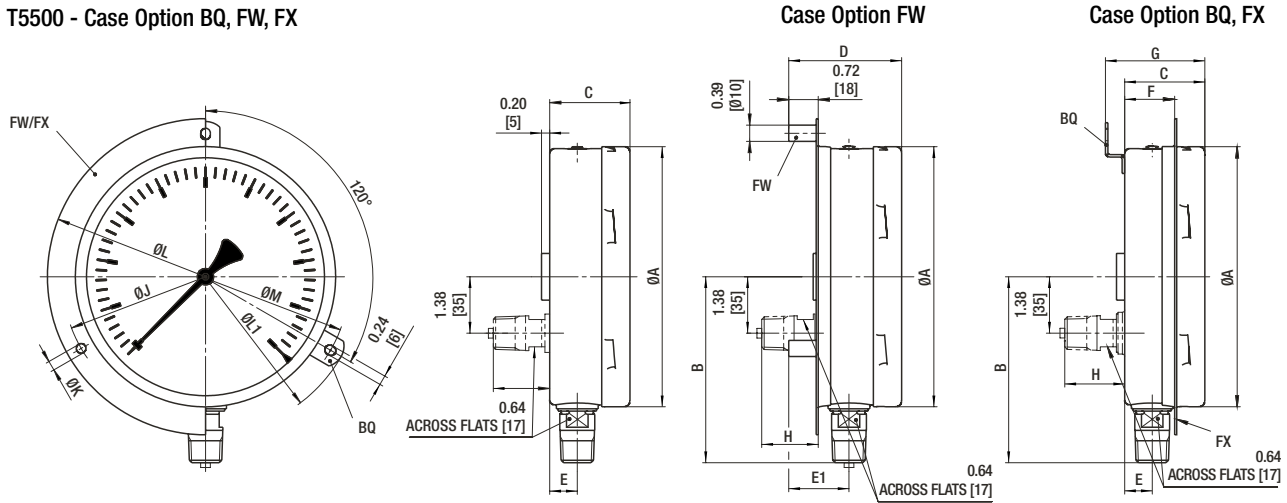
# Data Sheet

## T5500/T6500 Pressure Gauges

**DIMENSIONS** in [ ] are millimeters

For reference only, consult Ashcroft for specific dimensional drawings.

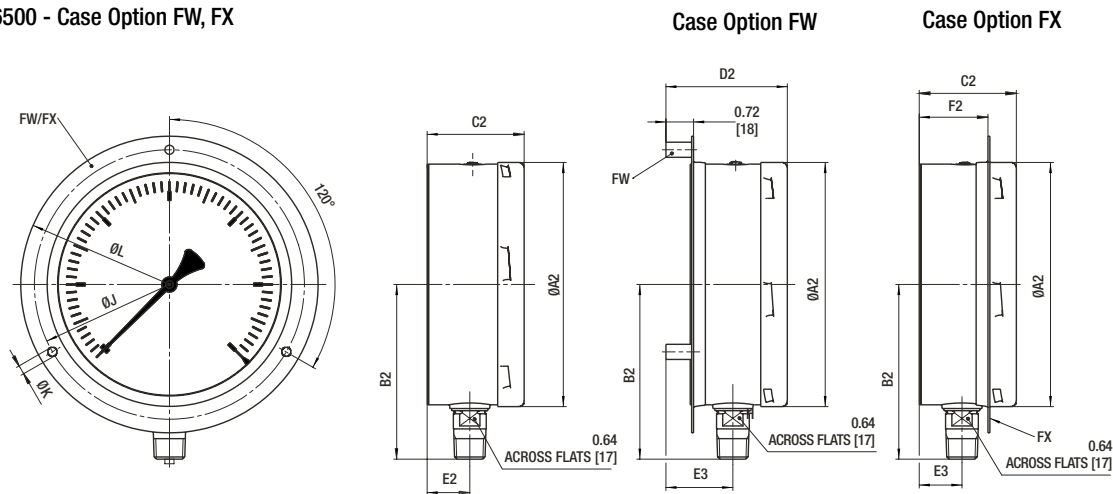
### T5500 - Case Option BQ, FW, FX



### T5500 - Case Options BQ, FW, FF

Dial Size	A	B	C	D	E	E1	F	G	H	J	K	L	L1	M	Weight
<b>100 mm</b>	3.97 [101]	3.36 [85]	2.01 [51]	2.72 [69]	0.73 [18.5]	1.44 [36.5]	1.26 [32]	2.48 [63]	1.38 [35]	4.65 [118]	0.24 [6]	5.20 [132]	5.28 [134]	4.02 [103]	Dry 2.0 lbs LF 4.4 lbs
<b>160 mm</b>	6.35 [161]	4.54 [115]	1.96 [50]	2.76 [70]	0.67 [17]	1.47 [37]	1.22 [31]	2.43 [62]	1.46 [37]	7.01 [178]	0.24 [6]	7.72 [196]	7.64 [194]	7.50 [179]	Dry 2.7 lbs LF 5.0 lbs

### T6500 - Case Option FW, FX



### T6500 - Case Options FW, FX

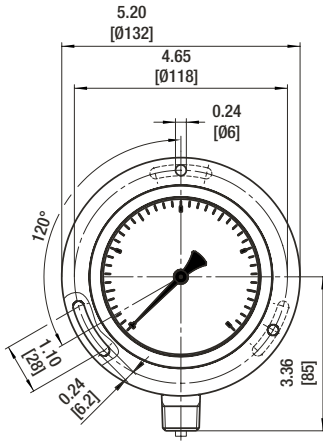
Dial Size	A2	B2	C2	D2	E2	E3	F2	J	K	L	Weight
<b>100 mm</b>	3.97 [101]	3.36 [85]	2.38 [61]	2.91 [74]	1.02 [26]	1.55 [39]	1.63 [42]	4.65 [118]	0.24 [6]	5.20 [132]	Dry 2.0 lbs LF 4.4 lbs
<b>160 mm</b>	6.35 [161]	4.54 [115]	2.52 [64]	3.15 [80]	1.11 [28]	1.74 [44]	1.78 [45]	7.01 [178]	0.24 [6]	7.72 [196]	Dry 2.7 lbs LF 5.0 lbs

# T5500/T6500 Pressure Gauges

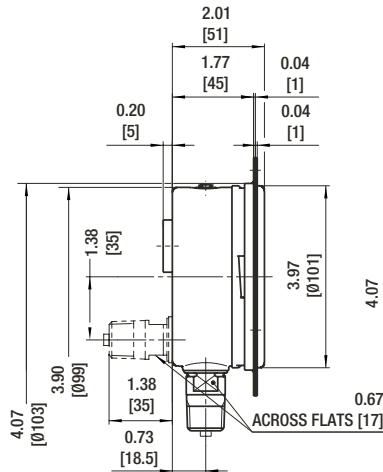
**DIMENSIONS** in [ ] are millimeters

For reference only, consult Ashcroft for specific dimensional drawings.

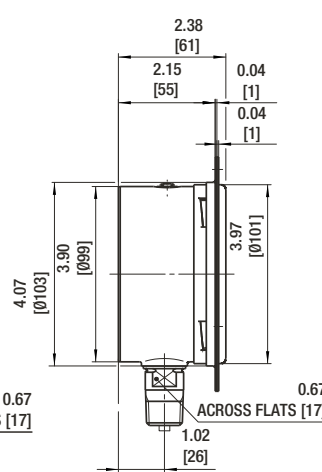
T5500, T6500 100mm - Case Option FF



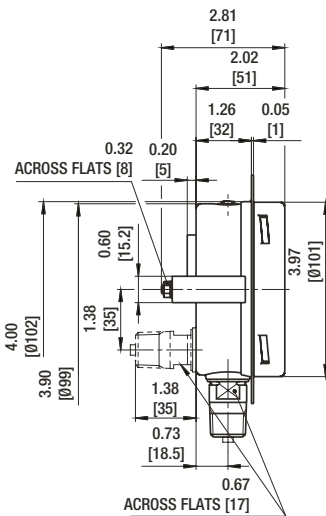
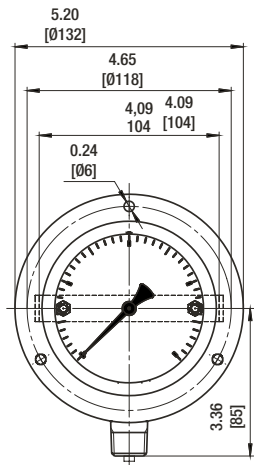
T5500 - 100mm



T6500 - 100mm



T5500, 100mm - Case Option UF



T5500, 160mm - Case Option UF

