

Data Sheet

B-Series Switches – Pressure, Differential Pressure & Hydraulic

FEATURES

- Adjustable setpoints 15-100% of range
- Fixed or limited adjustable deadband
- Wide selection of switch elements
- Explosion proof enclosure provides uncompromising protection
- Special designs for NACE & fire applications

TYPICAL USES

- Offshore oil rigs
- Chemical and petrochemical plants
- Pulp and papermills
- Steel mills
- Power plants
- Water and sewage-treatment plants
- Other corrosive environments



SPECIFICATIONS

Setpoint:	Factory set or field adjustable
Setpoint Repeatability:	±1% of full range (Additional setpoint shift of ±1% of range per 50°F from initial setpoint set at 70°F typical)
Enclosure Rating:	B4/Hydraulic: NEMA 4X, IP66 B7: NEMA 7/9, IP66
Enclosure Material:	Epoxy coated aluminum (standard) Optional: 316 stainless steel (NEMA 7/9 only)
Diaphragm Material:	Buna N, Viton, Teflon, SS, Monel
Pressure Connection:	1/4 Female NPT (standard) Optional: 1/2 Female NPT, 1/4 Female NPT & 1/2 Male NPT Combo
Electrical Output:	SPDT or DPDT
Electrical Termination:	3/4 Female NPT (standard) Optional: 1/2 Female NPT
Ambient Temperature Range:	-20°F to 150°F (-19°C to 65°C) All units calibrated at 70°F
Process Temperature:	0°F to 150°F (Buna n or Teflon diaphragm) 20°F to 300°F (Viton diaphragm) 0°F to 300°F (SS or Monel diaphragm)
Pressure Ranges:	Pressure: Vac-3000#, Differential: 0-600#D Hydraulic: 1000-7500#
Approvals:	UL, CSA, FM, CE, RoHS (NEMA 4) ATEX, CSA, FM, IECEx, UL, RoHS (NEMA 7) UL: E38812, E34743 CSA: 55541 ATEX: Sira 02ATEX1391X IECEx SIR 14.007X FM: Limit Control and Steam Limit Control

- Highly reliable
- Designed for use in wide range of applications
- Pressure ranges from vacuum to 7500psi

Data Sheet

B-Series Switches – Pressure, Differential Pressure & Hydraulic

PRESSURE, DIFFERENTIAL PRESSURE & HYDRAULIC RANGES

PRESSURE/VACUUM RANGES			Overpressure Ratings		Approximate Deadband Switch Element				
Nominal Pressure			Proof psi	Burst psi	20, 26, 27	21, 24, 31	50	22	32, 42
Vacuum									
-30" Hg	-760mm Hg	-100 kPa	250	400	0.3-0.7	1.5-3.0	0.5-2.2	0.4-1.5	2.1-4.2
Compound									
-15" H ₂ O/ 15" H ₂ O	-375mm H ₂ O/ 375mm H ₂ O	-3.7 kPa/ 3.7 kPa	20	35	0.15-.75/ 0.15-.75	1.5-2.5/ 1.5-2.5	0.45-2.0/ 0.45-2.0	0.5-1.2/ 0.5-1.2	2.1-3.5/ 2.1-3.5
-30" H ₂ O/ 30" H ₂ O	-760mm H ₂ O/ 760mm H ₂ O	-7.5 kPa/ 7.5 kPa	20	35	0.30-.60/ 0.30-.60	1.5-2.5/ 1.5-2.5	0.45-2.0/ 0.45-2.0	0.5-1.5/ 0.5-1.5	2.1-3.5/ 2.1-3.5
-30" Hg/ 15 psi	-760mm Hg/ 1.0 kg/cm ²	-100 kPa/ 100 kPa	250	400	0.3-0.7/ 0.3-0.7	1.5-3.0/ 1.5-3.0	0.5-2.2/ 0.5-2.2	0.4-1.5/ 0.4-1.5	2.1-4.2/ 2.1-4.2
-30" Hg/ 30 psi	-760mm Hg/ 2.0 kg/cm ²	-100 kPa/ 200 kPa	250	400	0.3-0.8/ 0.3-0.8	1.5-3.0/ 1.5-3.0	0.5-2.2/ 0.5-2.2	0.4-1.5/ 0.4-1.5	2.1-4.2/ 2.1-4.2
-30" Hg/ 60 psi	-760mm Hg/ 4.0 kg/cm ²	-100 kPa/ 400 kPa	250	400	0.3-0.8/ 0.7-1.5	1.5-3.0/ 3.0-5.0	0.5-2.2/ 1.1-4.0	0.4-1.5/ 1.0-2.3	2.1-4.2/ 4.2-7.0
Pressure									
10" H ₂ O	250mm H ₂ O	2.5 kPa	20	35	0.2-0.5	1.0-2.0	0.35-1.5	0.4-1.0	1.4-2.8
30" H ₂ O	750mm H ₂ O	7.5 kPa	20	35	0.3-0.6	1.5-2.5	0.45-2.0	0.5-2.0	2.1-3.5
60" H ₂ O	1500mm H ₂ O	15 kPa	20	35	0.5-1.3	1.5-3.5	0.9-2.5	0.7-3.0	2.1-5.0
100" H ₂ O	2500mm H ₂ O	25 kPa	20	35	0.6-1.6	2.5-5.5	1.1-4.0	1.0-4.0	3.5-7.7
150" H ₂ O	3750mm H ₂ O	37 kPa	20	35	1.0-2.5	4.5-8.5	1.7-6.5	2.0-6.0	6.0-12.0
15 psi	1.0 kg/cm ²	100 kPa	500	1500	0.1-0.35	0.5-1.5	0.2-1.0	0.4-1.0	0.7-2.1
30 psi	2.0 kg/cm ²	200 kPa	500	1500	0.1-0.50	0.5-1.5	0.3-1.0	0.4-1.0	0.7-2.1
60 psi	4.0 kg/cm ²	400 kPa	500	1500	0.3-1.0	1.0-3.5	0.7-2.5	0.6-2.0	1.4-5.0
100 psi	7.0 kg/cm ²	700 kPa	1000	3000	0.5-1.7	1.5-5.0	1.1-3.5	1.0-4.5	2.1-7.0
200 psi	14 kg/cm ²	1400 kPa	1000	3000	1-3	5-13	2-9	3.0-7.5	7.0-18.2
400 psi	28 kg/cm ²	2800 kPa	2400	3000	4-7.5	5-24	5.5-15	4.0-11.0	7.0-33.6
600 psi	42 kg/cm ²	4200 kPa	2400	3000	4-11	9-30	7-20	5.0-23.0	12.6-42
1000 psi	70 kg/cm ²	7000 kPa	12000	18000	7-30	30-110	18-70	15-80	42-154
3000 psi	210 kg/cm ²	2100 kPa	12000	18000	15-60	80-235	37-160	30.0-230	112-329

DIFFERENTIAL PRESSURE RANGES			Pressure Ratings		Approximate Deadband Switch Element				
Nominal Pressure			Static Working Pressure	Proof psi	20, 26, 27	21, 24, 31	50	22	32, 42
30" H ₂ O	750mm H ₂ O	7.5 kPa	5.4	21.6	0.3-0.6	1.5-2.5	0.45-2.0	0.5-2.0	2.1-3.5
60" H ₂ O	1500mm H ₂ O	15 kPa	5.4	21.6	0.5-1.3	1.5-3.5	0.9-2.5	0.7-3.0	2.1-5.0
100" H ₂ O	2500mm H ₂ O	25 kPa	5.4	21.6	0.6-1.6	2.5-5.5	1.1-4.0	1.0-4.0	3.5-7.7
150" H ₂ O	3750mm H ₂ O	37 kPa	5.4	21.6	1.0-2.5	4.5-8.5	1.8-6.5	2.0-6.0	6.3-12.0
15 psid	1.0 kg/cm ²	100 kPa	500	2000	0.5-1.0	2.0-5.0	0.7-3.5	0.7-1.4	2.8-7.0
30 psid	2.0 kg/cm ²	200 kPa	500	2000	1.0-2.0	2.0-5.0	1.5-3.5	1.4-2.8	2.8-7.0
60 psid	4.0 kg/cm ²	400 kPa	500	2000	2.0-4.0	3.0-6.0	3.0-4.5	2.8-5.6	4.2-8.5
100 psid	7.0 kg/cm ²	700 kPa	1000	4000	4.0-10.0	11.0-20.0	7.0-15.0	6.0-14.0	16.0-28.0
200 psid	14.0 kg/cm ²	1400 kPa	1000	4000	5.0-15.0	12.0-40.0	10.0-26.0	7.0-21.0	17.0-56.0
400 psid	28.0 kg/cm ²	2800 kPa	1000	8000	10.0-20.0	20.0-60.0	15.0-40.0	14.0-28.0	28.0-84.0
600 psid	42.0 kg/cm ²	4200 kPa	1000	8000	20.0-40.0	80.0-150.0	30.0-115.0	30.0-56.0	12.0-210.0

Data Sheet

B-Series Switches – Pressure, Differential Pressure

ORDERING CODE

Example:

B4 20 B XPK 600 psi

Enclosure
B4 - Pressure switch, Type 400, watertight enclosure meets NEMA 3, 4, 4X, 13 and IP66 requirements.
B7⁽¹⁾ - Pressure switch, Type 700, explosion-proof enclosure meets Div. 1 & 2, NEMA 7, 9 and IP66 requirements.
D4 - Differential pressure switch, Type 400, water-tight enclosure meets NEMA 3, 4, 4X, 13 and IP66 requirements.
D7⁽¹⁾ - Differential pressure switch, Type 700, explosion-proof enclosure meets Div. 1 & 2, NEMA 7, 9 and IP66 requirements.

Switch Element Selection - UL/CSA Listed SPDT

20⁽⁶⁾ - Narrow deadband ac, 15A - 125/250 Vac
21 - Ammonia service, 5A - 125/250 Vac
22⁽⁷⁾ - Hermetically sealed switch, narrow deadband, 5A - 125/250 Vac
23 - Heavy duty ac, 22A - 125/250 Vac
24⁽⁸⁾ - General purpose, 15A - 125/250/480 Vac, ½A - 125 Vdc, ¼A - 250 Vdc; 6A, 30 Vdc
25⁽⁸⁾ - Heavy duty dc, 10A - 125 Vac or dc, 1/8 HP - 125 Vac or dc
26⁽⁸⁾ - Sealed environment proof, 15A - 125/250 Vac
27 - High temperature 300°F, 15A - 125/250 Vac
28⁽⁸⁾ - Manual reset trip on, increasing 15A - 125/250 Vac
29⁽⁸⁾ - Manual reset trip on decreasing, 15A - 125/250 Vac
31 - Low level (gold) contacts, 1A - 125 Vac
32 - Hermetically sealed switch, general purpose, 11A - 125/250 Vac, 5A - 30 Vdc
42 - Hermetically sealed switch, gold contacts, 1A - 125 Vac
50 - Variable deadband, 15A - 125/250 Vac

Switch Element Selection - UL/CSA Listed Dual (2 SPDT) ⁽⁴⁾

61⁽⁸⁾ - Dual narrow deadband, 15A - 125/250 Vac
62⁽⁸⁾ - Dual sealed environment proof, 15A - 125/250 Vac
63 - Dual high temp. 300°F, 15A - 125/250 Vac
64 - Dual general purpose, 15A - 125/250/480 Vac, ½A - 125 Vdc, ¼A - 250 Vdc
65 - Dual ammonia service, 5A - 125/250 Vac
67^{(8) (7)} - Dual hermetically sealed switch, narrow deadband, 5A - 125/250 Vac
68⁽⁸⁾ - Dual hermetically sealed switch, general purpose, 11A - 125/250 Vac 5A, 30 Vdc
70 - Dual low level gold contacts, 1A - 125 Vac
71⁽⁸⁾ - Dual hermetically sealed switch, gold contacts, 1A - 125 Vac

Actuator Seal

Material	Process Temp. Limits °F ⁽¹⁰⁾	Range			
		Vac. H ₂ O	0-600 psi	0-1000 psi	0-3000 psi
B - Buna-N	0 to 150	•	•	•	•
V - Viton	20 to 300	•	•	•	•
T - Teflon	0 to 150	•	•	•	•
S - 316L ⁽⁹⁾	0 to 300		•	•	
P - Monel ⁽⁹⁾	0 to 300		•	•	

Options

Use table from page 6

Range

Select from table page 4

ORDERING CODE NOTES:

- Standard housing epoxy coated aluminum. Use variation code XYW for 316SS housing.
- Standard switch
- Not available with psid ranges.
- Dual switches are 2 SPDT snap-action switches, not independently adjustable.
- Wires cannot be terminated inside B400 switch enclosure.
- Not available with type 700 enclosure.
- Estimated dc. rating, 2.5A, 28 Vdc (not UL listed).
- Estimated dc rating, 0.4A, 120 Vdc (not UL listed).
- Available on pressure only.
- Ambient operating temperature limits -20 to 150°F, all styles, setpoint shift of ±1% of range per 50°F temperature change is normal. Switches are calibrated at 70°F reference.

Data Sheet

B-Series Switches – Hydraulic

ORDERING CODE

Example:

**H4 24 V XPK 3000
psi**

Enclosure		
H4 - Hydraulic pressure switch, Type 400, watertight enclosure meets NEMA 3, 4, 4X, 13 and IP66 requirements.		
Switch Element Selection - UL/CSA Listed SPDT		
20 ⁽³⁾ - Narrow deadband ac, 15A - 125/250 Vac		
22 ⁽⁴⁾ - Hermetically sealed switch, narrow deadband, 5A - 125/250 Vac		
23 - Heavy duty ac, 22A - 125/250 Vac		
24 ⁽¹⁾ - General purpose, 15A - 125/250/480 Vac, ½A - 125 Vdc, ¼A - 250 Vdc; 6A, 30 Vdc		
25 - Heavy duty dc, 10A - 125 Vac or dc, 1/8 HP - 125 Vac or dc		
26 ⁽⁵⁾ - Sealed environment proof, 15A - 125/250 Vac		
27 - High temperature 300°F, 15A - 125/250 Vac		
28 - Manual reset trip on increasing, 15A - 125/250		
29 - Manual reset trip on decreasing, 15A - 125/250 Vac		
32 - Hermetically sealed switch, general purpose, 11A - 125/250 Vac, 5A - 30 Vdc		
Switch Element Selection - UL/CSA Listed Dual (2 SPDT)⁽²⁾		
61 ⁽³⁾ - Dual narrow deadband, 15A - 125/250 Vac		
62 ⁽⁵⁾ - Dual sealed environment proof, 15A - 125/250 Vac		
63 - Dual high temp. 300°F, 15A - 125/250 Vac		
64 - Dual general purpose, 15A - 125/250/480 Vac, ½A- 125 Vdc, ¼A - 250 Vdc		
65 - Dual ammonia service , 5A - 125/250 Vac		
70 - Dual low level gold contacts, 1A - 125 Vac		
Actuator Seal		
Material	Process Temp. Limits°F ⁽⁵⁾	
V - Viton	20 to 300	Viton O-ring, stainless steel pressure connection
Options		
Use table from page 6		
Range		
Range psi	Adjustable Setpoint Limits psi	Proof Pressure psi
1000	150 – 1000	12,000
2000	300 – 2000	12,000
3000	450 – 3000	12,000
5000	750 – 5000	10,000
7500	1125 – 7500	100,000

NOTES:

- 1 Standard switch.
- 2 Dual switches are 2 SPDT snap-action switches, not independently adjustable.
- 3 Estimated dc rating, 0.4A, 120 Vdc (not UL listed)
- 4 Estimated dc rating, 2.5A, 28 Vdc (not UL listed)
- 5 Ambient operating temperature limits -20 to 150°F, all styles, setpoint shift of ±1% of range per 50°F temperature change is normal. Switches are calibrated at 70° F reference.


B-Series Switches – Pressure, Differential Pressure & Hydraulic

OPTIONAL FEATURES AND ACCESSORIES

		B-SERIES SWITCH OPTIONS					
		Applicable Switch Series					
Code	Description	Pressure		Differential Pressure		H	Notes
		(psi)	(in. H ₂ O)	(psi)	(in. H ₂ O)		
XBP	Wall Mounting Bracket in. H ₂ O		•		•		
XBX	½" Male NPT Bushing					•	
XCH	Chained Cover	•	•	•	•	•	
XC8	CSA Approval	•	•	•	•		10
XCN	ATEX Directive 94/9/EC/IECEX Rating	•	•	•	•		15
XD2	Dual Seal Rating (700 Series only)	•			•		
XFM	FM Approval – Single Element	•	•	•	•		14
	FM Approval – Dual Element	•	•	•	•		14
XFP	Fungus Proofing	•	•	•	•	•	
XFS	Factory Adjusted Setpoint	•	•	•	•	•	2
XG3	Belleville Actuator	•					13,14
XG5	UL Limit Control to 150" H ₂ O				•		1, 14
XG6	UL Limit Control to 600 psi	•					1, 14
XG7	Secondary Chamber with Vent	•					11
XG8	Steam Limit Control to 300 psi	•					
XG9	Fire Safe Welded Actuator	•					7
XHS	High Static Differential Pressure			•			12
	High Pressure, 40 psi, (static) d/p only						
	160 psi (proof) d/p only		•		•		
XHX	100 psi (proof) pressure only (H ₂ O)						
XJK	Left Conduit Connection	•	•	•	•	•	8
XJL	¾" to ½" Reducing Bushing	•	•	•	•	•	
XJM	Metric Electrical Conduit Conn. M20 x 1.5	•	•	•	•	•	
XK3	Terminal Block (700 Series only)	•	•	•	•		6
XLE	6 foot Leads on the Micro Switch	•	•	•	•	•	
XNH	Tagging Stainless Steel	•	•	•	•	•	
XNN	Paper Tag	•	•	•	•	•	
XPK	Pilot Light(s) Top Mounted	•	•	•	•	•	4
XPM	¾" Sealed Conduit Connection with 16" Lead Wires	•	•	•	•	•	
XTA	316 Stainless Steel Pressure Connection for in. H ₂ O Range		•		•		
XTM	2" Pipe Mounting Bracket	•	•	•	•		
XUD	316 Stainless Steel Pressure Conn.			•			
XO6	Pressure Connection:						
	½ NPT Male, ¼ NPT Female 316 Stainless Steel (Combination)	•	•	•	•		5
XO7	½ NPTF Press. Conn., 316 SS	•	•	•	•		9
X6B	Cleaned for Oxygen Service	•	•	•			3
	Diaphragm Seal	•	•	•	•		
X9F	Inches of Water Housing for Outdoor Use		•				
XYW	316SS Housing	•	•	•	•		•

OPTION NOTES:

- 1 Buna N and Viton diaphragm.
- 2 Advise static or working pressure for differential pressure switches.
- 3 Buna N cannot be cleaned for oxygen service.
- 4 N/A on 700 Series.
- 5 Standard with 1000 and 3000 psi ranges. Bottom connection only on DP in H₂O ranges.
- 6 Terminal Blocks standard with 700 dual switches.
- 7 Stainless steel diaphragm only.
- 8 Standard on 700 Series. N/A with DPDT element on 400 Series.
- 9 N/A with Monel diaphragm.
- 10 Standard on 400 Series.
- 11 SS diaphragm required. Teflon diaphragm is the backup. NEMA 7 only.
- 12 Buna N and Viton diaphragm – 15#D & 30#D only.
- 13 24, 32, 64 or 68 element only.
- 14 N/A on all combinations.
- 15 700 Series only.

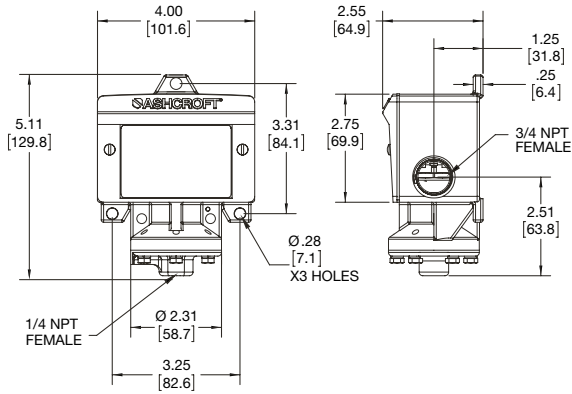
 II 2GD
Ex d IIC T6 Gb
Ex t IIIIC T85° C Db IP 6X
(Ta = -20°C to +60°C)

Data Sheet

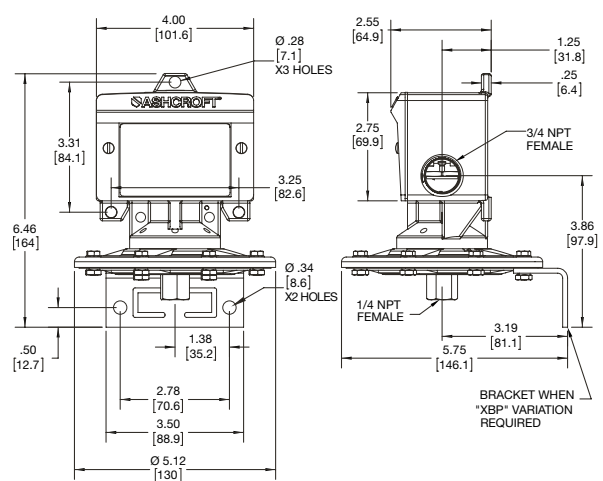
B-Series Switches – Pressure, Differential Pressure & Hydraulic

B 400 DIMENSIONS

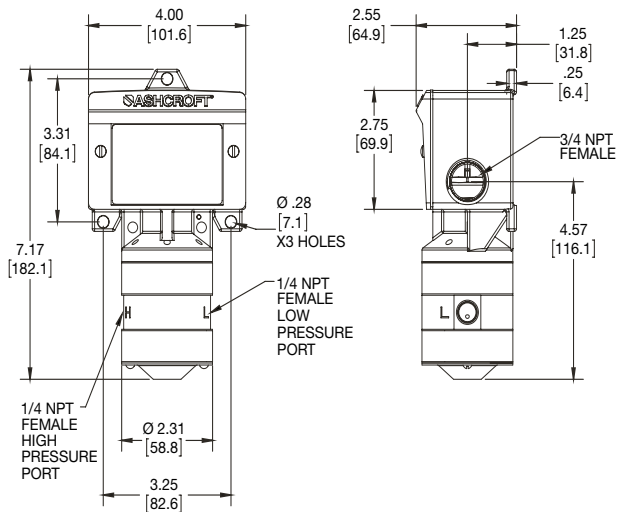
Pressure switch – psi ranges



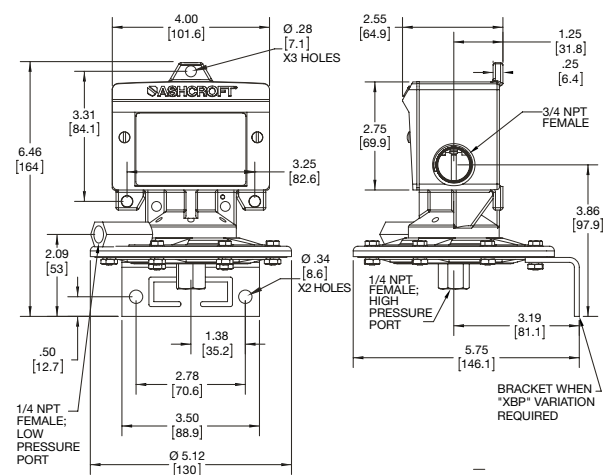
Pressure switch – inches of water ranges



Differential pressure switch – psi differential ranges



Differential pressure switch – inches of water ranges

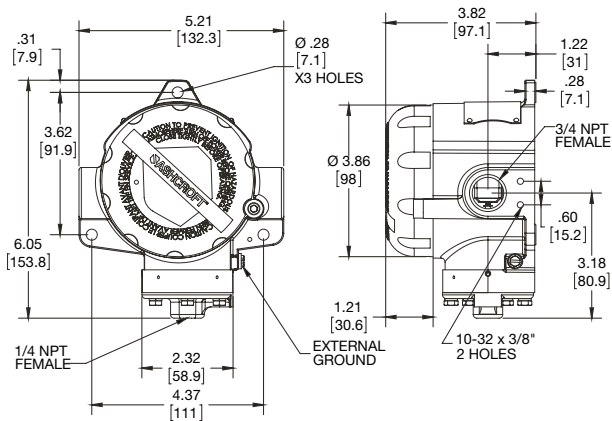


Data Sheet

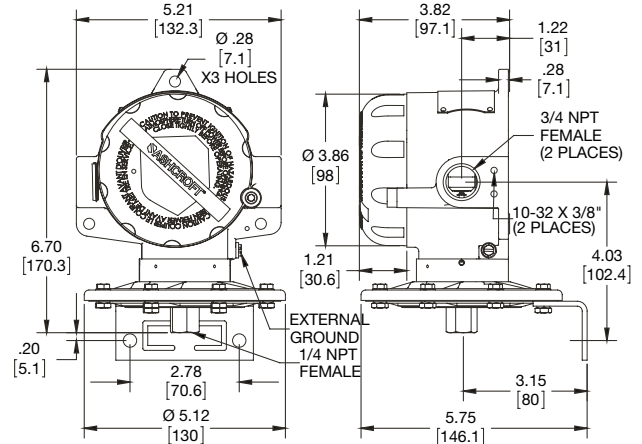
B-Series Switches – Pressure, Differential Pressure & Hydraulic

B 700 DIMENSIONS

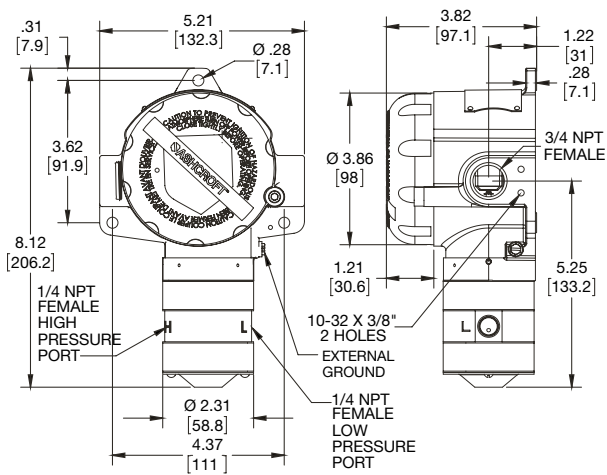
Pressure switch – psi ranges



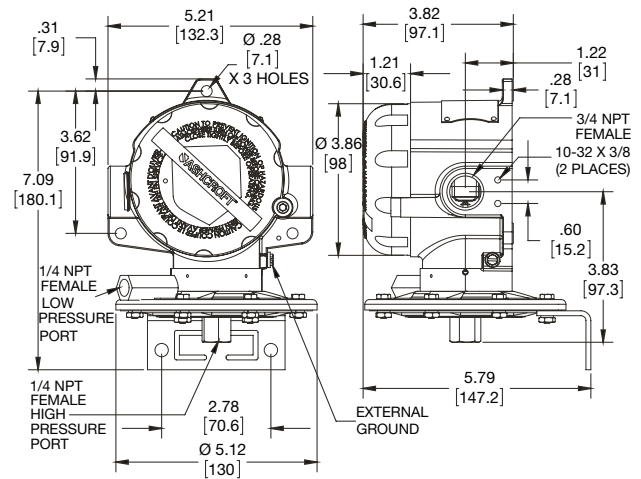
Pressure switch – inches of water ranges



Differential pressure switch – psi differential ranges



Differential pressure switch – inches of water ranges

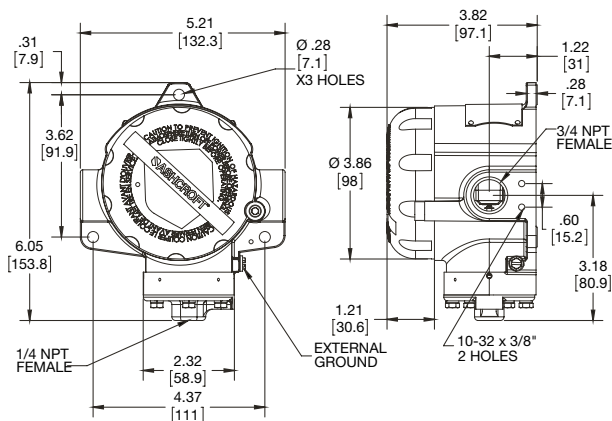


Data Sheet

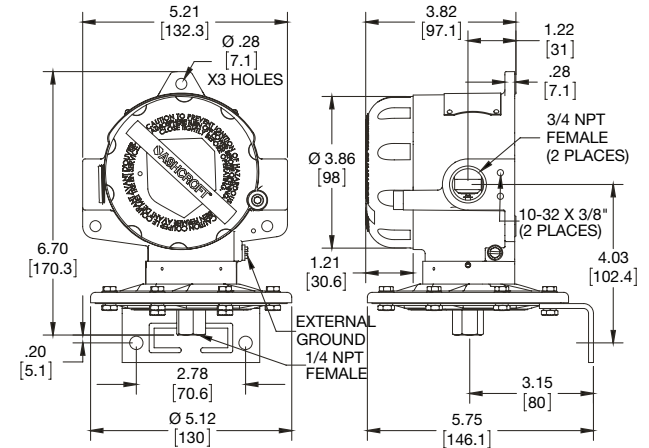
B-Series Switches – Pressure, Differential Pressure - Explosion Proof

B 700 DIMENSIONS

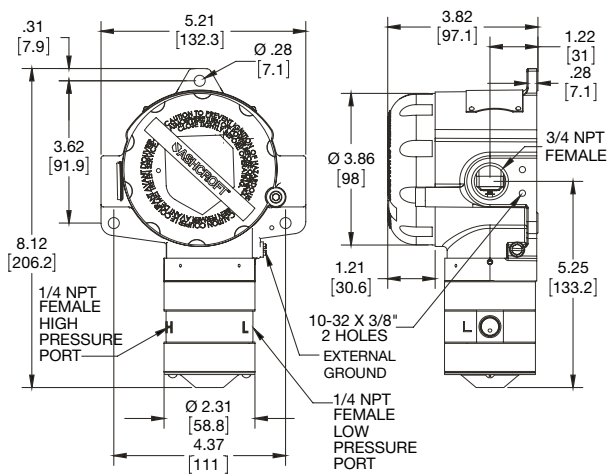
Pressure switch – psi ranges



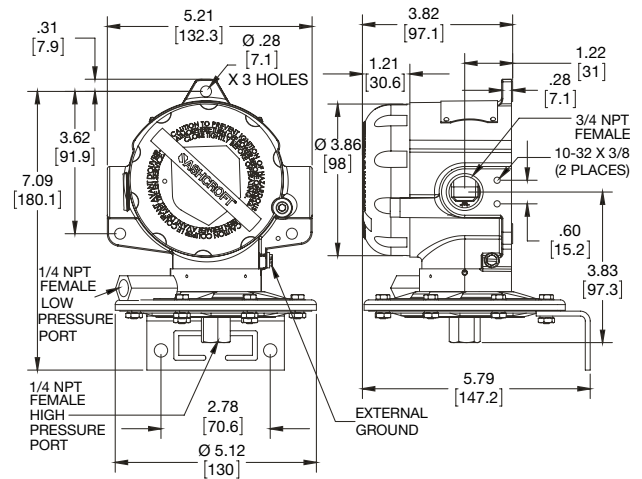
Pressure switch – inches of water ranges



Differential pressure switch – psi differential ranges



Differential pressure switch – inches of water ranges



B-Series Switches – Pressure, Differential Pressure & Hydraulic

Ashcroft Inc. supplies highly reliable Ashcroft[®] switches and controls for industrial and process applications. We begin with rock-solid designs, matching the most appropriate technology with the safety and reliability requirements of the applications. The materials of construction are specified to Ashcroft's exacting standards, and product is built to last in the toughest applications. Our modern, responsive manufacturing facility is supported by an extensive network of stocking distributors and factory sales offices located in virtually every part of the world. Special application assistance is always just a telephone call away.

The Ashcroft B-Series switch line is designed to satisfy most switch requirements. Materials of construction have been selected for long life. A wide variety of precision switch elements are available to meet every application requirement, including hermetically sealed contacts for added reliability and safety. The actuators we use have been proven in more than 20 years of service in the world's plants and mills. Special designs are available for fire safety, NACE, limit control and other more stringent requirements. Simplicity and ease of use are stressed to improve reliability of the installation.

Applications include: pumps, compressors, washers, filters, degreasers, evaporators, recovery systems, food processing, ground support equipment, reverse osmosis systems, heat exchangers, hydraulic systems, lubrication systems, marine equipment, textile machinery, heating and air conditioning equipment.

Pressure & Differential Pressure Switches

B-Series pressure, differential pressure and vacuum switches use two different actuators depending on setpoint requirements. For setpoints between 2 and 3000 psi, the simple, rugged diaphragm-sealed piston actuator is used. This design features high reliability and choice of actuator seal materials for virtually every application. An optional welded design is also available for setpoints up to 1000 psi for maximum reliability. This design is available in 316 SS or Monel. Differential pressure models use a unique, dual diaphragm-sealed piston design that features very high static operating pressures and small size.

For setpoints between 4.5 and 150 inches of H₂O, a large diaphragm is used for increased sensitivity in both pressure and differential pressure designs with good choice of materials of construction.

All standard models feature ± 1 percent of range setpoint repeatability and a minimum of 400 percent of range proof pressures.

These standard designs perform well in applications where shock and vibration could be a problem and may be used in conjunction with Ashcroft diaphragm seals in extreme services such as slurries or abrasive process fluids.

World Headquarters

Ashcroft Inc.
250 E. Main Street
Stratford, CT 06614-5145 U.S.A.
Tel: (203) 378-8281
Fax: (203) 385-0408
email: info@ashcroft.com
www.ashcroft.com

International Operations**Brazil**

Willy Instrumentos de Medicao e
Controle Ltda.
Rua Joao Pessoa, 620
09520-000
Sao Caetano Do Sul-Sao Paulo-Brazil
Tel: 55-11-4224-7402
Fax: 55-11-4224-7477
email: contato@ashcroft.com
www.ashcroft.com.br

China

Ashcroft Instruments (Suzhou) Co., Ltd.
1508 Lin-hu Avenue
Ascendas Lin-hu Industrial Square
Wujiang Fenhu Economic Zone
Wujiang China, 215211
Tel: 011-86-512-6326-9101
Fax: 011-86-512-6326-9106
www.ashcroft.com

Germany

Ashcroft Instruments GmbH
Postfach 11 20, D-52490
Baesweiler, Germany
Max-Planck-Strasse 1, D-52499
Baesweiler, Germany
Tel: 49-2401-8080
Fax: 49-2401-808 125
email: sales@ashcroft.com
www.ashcroft.eu

Mexico

Ashcroft Instruments Mexico, S.A. de C.V.
General Mariano Arista No. 54 Nave 8
Col. Argentina Poniente
Deleg. Miguel Hidalgo
11230 Mexico City, Mexico
Tel: 525-550-82-3030
Fax: 525-550-82-3027
email: jmendieta@ashcroft.com.mx

Saudi Arabia

AARICO
P.O. Box 12031
Jubail Industrial City 31961
Kingdom of Saudi Arabia
Tel: 966-3-341-0278
Fax: 966-3-341-7624
email: anil@aarico.net
www.ashcroft-alrushaid.com

Singapore

Ashcroft Instruments Singapore Pte. Ltd.
Block 1004 Toa Payoh North
#07-15/17
Singapore 318995
Tel: 65-6252-6602
Fax: 65-6252-6603
email: John.Wong@ashcroft.com.sg

United Kingdom

Ashcroft Instruments Limited
Unit 17 & 18 William James House
Cowley Road
Cambridge CB4 0WX
Tel: 44-0-1223-395500
Fax: 44-0-1223-395501
email: sales@ashcroftuk.com

Venezuela

Manufacturas Petroleras Venezolanas S.A.
KM7 Carretera A
El Mojan Calle 18
#15B355 Zona
Ind. Norte Sector Canchancha
Maracaibo Edo Zulia Venezuela
Tel: 58-261-757-9070
Tel: 58-261-742-4372
Fax: 58-261-757-9461
email: contactenos@mapvensa.com
www.mapvensa.com

