

Data Sheet

1377 Duragauge® Pressure Gauge

FEATURES

- Solid front safety case with pressure relief back
- Dial sizes 4½", 6" and 8½"
- ±0.5% of span (ASME B40.100 Grade 2A)
- Customizable dial printing options

TYPICAL USES

- Refineries
- Chemical and petrochemical plants
- Offshore oil rigs
- Water and wastewater pressure control
- Pulp and water
- Mining and metals
- Equipment skids
- Specialized OEM equipment



1377
4½" dial size



SPECIFICATIONS

Accuracy:	±0.5% of span (ASME B40.100 Grade 2A)
Dial Sizes:	4½", 6", 8½"
Process Connection:	¼ NPT, ½ NPT, ¾-18 UNF-2B (high pressure connection)
Process Connection Location:	Lower, back
Ranges:	Vacuum, compound to 30,000 psi
Case Style:	Solid front with pressure relief back
Movement:	Rotary, adjustable, 400 SS, Teflon® coated
Window Material:	Glass (STD.), safety glass, acrylic, non-glare glass (OPT.)
Pointer:	Micrometer, adjustable, aluminum, maximum
Weather Protection:	Dry case: Case not sealed, recommended for weather protected environment only
Mounting:	Stem, surface, flush or remote
Dampening:	PLUS! ™ Performance
Approvals:	CRN

WETTED COMPONENTS

Bourdon Tube	Process Connection	Joints
316L SS	316L SS	Welded
316L SS	Steel	Welded
K-Monel® 500 Tube	Monel® 400	Welded
C510 Phos. Bronze	Brass	Silver brazed

NON-WETTED COMPONENTS

Case	Ring	Back Cover
Aluminum, black epoxy	Steel, hinged, black enamel	300 SS

KEY BENEFITS

- Ideal for panel mounting
- Available 8½" dial size for remote reading

MIN/MAX TEMPERATURE LIMITS

Version	Ambient	Process	Storage
Dry	-20°F to 200°F (-29°C to 93°C)	-20°F to 250°F (-29°C to 121°C)	-40°F to 250°F (-40°C to 121°C)

1377 Duragauge® Pressure Gauge

ORDERING CODE	Example:	451377	S	S	04	L	XLL	15#
Dial Size/Model Code								
451377 - 4½" aluminum case		451377						
601377 - 6" aluminum case								
851377 - 8½" aluminum case								
System (tube and process connection)								
A - Bronze tube, brass process connection, max. pressure connection 1,000 psi								
P - K-Monel® 500 tube, Monel® 400 process connection, max. pressure 30,000 psi								
R - 316L SS tube, steel process connection, max. pressure 20,000 psi								
S - 316 SS tube and 316L SS process connection, max. pressure 20,000 psi			S					
WW - Inconel® 718 tube and process connection								
Case Design								
S - Solid front case, dry								
Process Connection Sizes								
02 - ¼ NPT Male, N/A for ranges over 20,000 psi								
04 - ½ NPT Male, N/A for ranges over 20,000 psi					04			
09 - 9/16 18 UNF-2B, high pressure fitting, standard for pressures over 20,000 psi								
Process Connection Location								
L - Lower						L		
B - Back								
D - Side (3 o'clock)								
E - Side connection (9 o'clock)								
T - Top connection								
Options (If choosing an option(s) must include a "X")								
X__								
Dampening								
LL - PLUS!™ Performance							LL	
NZ - PLUS!™ Performance, silicone free								
TS - Throttle screw (standard with PLUS!™ Performance)								
Dial								
DA - Dial marking (text marking on the dial)								
D3 - DuraVis™ Retroreflective Dial (4½" case only)								
Windows/Pointers								
PD - Acrylic window								
SG - Safety glass								
NG - Non-glare glass (4½" and 6" cases only)								
EP - Maximum pointer (adjustable)								
SH - Red set hand stationary								
Other								
6B - Cleaned for gaseous, oxygen service								
NH - Stainless Steel tag wired to case								
AB - Gauges calibrated to compensate for absolute pressure								
OS - Overload stop								
VS - Underload stop								
HY - Hydrostatic/pneumatic testing (system pressurized to 150% of rated system pressure for 5 minutes. Overload stop standard.)								
C4 - Individual calibration chart (in accordance with ASME B40.100:2013. Accuracy traceable to NIST)								
Range (coding examples only, see range table on page 3 for all standard ranges)								
Single Scales								
15# - 15 psi								15#
1BR - 1 bar								
1KG - 1 kg/sm²								
100KP - 100 kPa								
Dual Scales								
15#/BR - 15 psi inner scale, 1 bar outer scale								
1BR/# - 1 bar inner scale, 15 psi outer scale								

1377 Duragauge® Pressure Gauge

STANDARD PRESSURE RANGES					
	psi	bar	kPa	mPa	kg/cm ²
Vacuum	30IMV	N1BR	N100KP	N1MP	N1KG
	-	N1/0.6BR	N100/60KP	0.1/0.06MP	N1/0.6KG
	V/15#	-	-	-	-
Compound	-	N1/1.5BR	N100/150KP	N.1/0.15MP	N1/1.5KG
	V/30#	-	-	-	-
	-	N1/3BR	N100/300KP	N.1/0.3MP	N1/3KG
	V/60#	-	-	-	-
	-	N1/5BR	N100/500KP	N.1/.5MP	N1/5KG
	V/100#	-	-	-	-
	-	N1/9BR	N100/900KP	N.1/.9MP	N1/9KG
	15#	1BR	100KP	0.1MP	1KG
	20#	-	-	-	-
Positive Pressure	-	1.6BR	160KP	0.16MP	1.6KG
	30#	-	-	-	-
	-	2.5BR	250KP	0.25MP	2.5KG
	60#	4BR	400KP	0.4MP	4KG
	-	6BR	600KP	0.6MP	6KG
	100#	-	-	-	-
	120#	-	-	-	-
	-	10BR	1000KP	1MP	10KG
	160#	-	-	-	-
	200#	-	-	-	-
	-	16BR	1600KP	1.6MP	16KG
	300#	-	-	-	-
	-	25BR	2500KP	2.5MP	25KG
	400#	-	-	-	-
	500#	-	-	-	-
	600#	40BR	4000KP	4MP	40KG
	800#	-	-	-	-
	-	60BR	6000KP	6MP	60KG
	1000#	-	-	-	-
	1500#	100BR	10000KP	10MP	100KG
	2000#	-	-	-	-
	-	160BR	16000KP	16MP	160KG
	3000#	-	-	-	-
	-	250BR	25000KP	25MP	250KG
	4000#	-	-	-	-
	5000#	-	-	-	-
	6000#	400BR	40000KP	40MP	400KG
	8000#	-	-	-	-
	-	600BR	60000KP	60MP	600KG
	10000#	-	-	-	-
15000#	1000BR	100000KP	100MP	1000KG	
20000#	-	-	-	-	
-	1600BR	-	160MP	1600KG	
30000#	-	-	-	-	
-	2500BR	-	250MP	2500KG	
50000#	-	-	-	-	
-	4000BR	-	400MP	4000KG	
80000#	-	-	-	-	
-	6000BR	-	600MP	6000KG	
100000#	-	-	-	-	

1377 Duragauge® Pressure Gauge

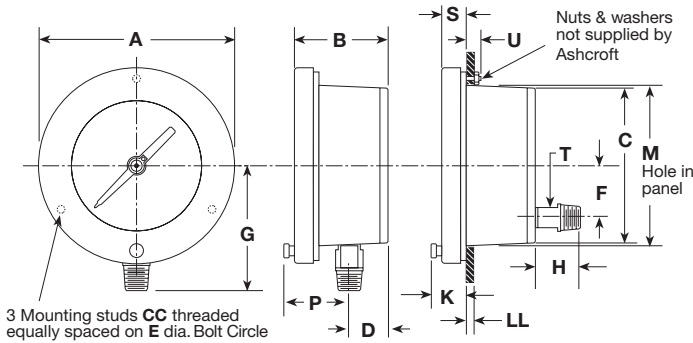
DIMENSIONS in [] are millimeters

Drawings are for reference only, consult Ashcroft for specific dimensional drawings.

Dial Size Inches	A	B	C	D	E	F	G	H	K	M	P	S	T	U	CC	LL	Weight (lbs)
4½	6 [152]	2⅞ [73]	4¾ [121]	1¼ [27]	5⅝ [137]	1⅝ [41]	3⅞ [100]	1⅝ [35]	1¼ [27]	4⅞ [124]	2⅞ [54]	⅝ [16]	⅝ [16]	¾ [19]	#10-24	⅞-½ [3][13]	2.5
6	7⅞ [192]	2⅞ [73]	4¾ [121]	1¼ [27]	7 [178]	1⅝ [41]	4½ [114]	1⅝ [35]	1¼ [27]	6½ [165]	2⅞ [54]	⅝ [16]	⅝ [16]	¾ [19]	¼-20	⅞-½ [3][13]	2.5
8½	10⅞ [257]	2⅞ [73]	4¾ [121]	1¼ [27]	9⅞ [244]	1⅝ [41]	6 [152]	1⅝ [35]	1¼ [27]	9 [229]	2⅞ [54]	⅝ [16]	⅝ [16]	¾ [19]	¼-20	⅞-½ [3][13]	4.5

1377 4½" and 6" lower connection

1377 4½" and 6" back connection



1377 8½" lower connection

1377 8½" back connection

