

Data Sheet

1009 4½" & 6" SS Gauge

FEATURES

- **PLUS!**™ Performance dampens vibration, shock and pulsation effects
- Wide selection of pressure connections and pressures ranges
- Dry and liquid-filled versions
- Micrometer adjustable pointer

TYPICAL USES

- Deionized water
- Refrigeration
- Hydraulics and pneumatics
- Specialized OEM equipment



1009
4½", 6" dial size



SPECIFICATIONS

Accuracy:	±1% of span (ASME B40.100 Grade 1A) 0.5% Accuracy (OPT)
Size:	4½", 6"
Ranges:	A - Bronze: Vacuum, compound to 1,000 psi S - SS: Vacuum, compound to 20,000 psi P - Monel®: Vacuum, compound to 30,000 psi
Process Connection Location:	Lower or lower back
Process Connection Size:	¼ NPT, ½ NPT, ⅜-18 UNF-2B for ¼" high pressure tubing
Movement:	400 Stainless steel
Window Material:	Glass (STD.), acrylic, shatter proof glass (OPT.)
Dial:	Aluminum, white background, black figures and graduations
Pointer:	Micrometer, adjustable
Case Style:	Open front
Weather Protection:	Case not sealed. Recommended for weather protected environment only Liquid filled IP65
Dampening:	PLUS! ™ Performance and liquid fill (glycerin, silicone and Halocarbon®)
Mounting:	Stem, surface (STD.) U-clamp, front flange and back flange (OPT.)
Approvals:	CRN, RoHS

WETTED COMPONENTS

Model	Bourdon Tube	Process Connection Material
1009A	Brass	Bronze
1009S	316L SS	316L SS
1009P	Monel®	Monel®

KEY BENEFITS

- Provides durability, reliability, and performance
- Well-suited for aggressive process media applications

MIN/MAX TEMPERATURE LIMITS

Version	Ambient	Process	Storage
Dry	-40°F to 200°F (-40°C to 93°C)	-20°F to 250°F (-40°C to 121°C)	-40°F to 250°F (-40°C to 121°C)
PLUS! ™	-40°F to 150°F (-40°C to 66°C)	-40°F to 200°F (-40°C to 93°C)	-40°F to 150°F (-40°C to 66°C)
Glycerin Fill	20°F to 150°F (-7°C to 66°C)	20°F to 200°F (-7°C to 66°C)	0°F to 150°F (-18°C to 66°C)
Silicone Fill	-40°F to 150°F (-40°C to 66°C)	-40°F to 200°F (-40°C to 93°C)	-40°F to 150°F (-40°C to 66°C)
Halocarbon® Fill	-40°F to 150°F (-40°C to 66°C)	-40°F to 200°F (-40°C to 93°C)	-40°F to 150°F (-40°C to 66°C)

NON-WETTED COMPONENTS

Model	Case	Ring
1009	304 SS, Monel®	304 SS, bayonet

Data Sheet

1009 4½" & 6" SS Gauge

ORDERING CODE:	Example:	45	1009	A	L	02	L	XC4	100#
Dial Size									
45 - 4½"		45							
60 - 6"									
Model Code									
1009 - 304 SS case, open front			1009						
System									
A - Phosphor bronze tube/brass process connection, (1,000 psi Max.)				A					
S - 316L Stainless steel tube/316L SS process connection, (20,000 psi Max.)									
P - K-Monel® 500 tube, Monel® 400 process connection, (30,000 psi Max.)									
Case Fill									
(blank) - Dry gauge									
L - Liquid filled case (glycerin standard)					L				
Process Connection Size									
02 - ¼ NPT Male, Max. pressure 20,000 psi						02			
04 - ½ NPT Male, Max. pressure 20,000 psi									
09 - ¾"-18 UNF-2B Aminco® high pressure fitting, (standard for pressures over 20,000 psi)									
Process Connection Location									
L - Lower							L		
B - Back									
Options (If choosing an option(s) must include an "X")									X_
C4 - Individual calibration chart (in accordance with ASME B 40.100:2013. Accuracy of unit traceable to N.I.S.T.)									C4
LL - PLUS! ™ Performance									
GV - Silicone case fill									
GX - Halocarbon® case fill									
LJ - Hermetically sealed									
TS - Throttle screw (standard with hermetically sealed or liquid filled gauge)									
6B - Oxygen service									
PD - Plastic window (standard with hermetically sealed or liquid filled gauge)									
SG - Safety glass									
EP - Maximum pointer, adjustable									
EO - Adjustable red set hand (N/A with liquid fill)									
SH - Red set hand, stationary									
NH - Stainless steel tag wired to case									
FF - Front flange									
BF - Back flange									
UC - U-clamp									
SM - All Stainless steel movement									
AJ - 0.5% Accuracy									
Range (See range table on page 3 for all standard ranges)									
100# - 100 psi									100#

Data Sheet

1009 4½" & 6" SS Gauge

SINGLE SCALE					NOTES
	psi	bar	kPa	Mpa	kg/cm2
Vacuum	30IMV	N1BR	N100KP	NO.1MP	N1KG
	-	N1/0.6BR	N100/60KP	NO.1/0.6MP	N1/0.6KG
Compound	30IMV&15#	-	-	-	-
	-	N1/1.5BR	N100/150KP	NO.1/15MP	N1/1.5KG
	30IMV&30#	-	-	-	-
	-	N1/3BR	N100/300KP	NO.1/3MP	N1/3KG
	30IMV&60#	-	-	-	-
	-	N1/5BR	N100/&500KP	NO.1/5MP	N1/5KG
	-	-	-	-	-
	30IMV&100#	-	-	-	-
	-	N1/9BR	N100/900KP	NO.1/9MP	N1/9KG
	15#	1BR	100KP	0.1MP	1KG
-	1.6BR	160KP	0.16MP	1.6KG	
30#	-	-	-	-	
-	2.5BR	250KP	0.25MP	2.5KG	
60#	4BR	400KP	0.4MP	4KG	
-	6BR	600KP	0.6MP	6KG	
100#	-	-	-	-	
-	10BR	1000KP	1MP	10KG	
160#	-	-	-	-	
200#	-	-	-	-	
-	16BR	1600KP	1.6MP	16KG	
300#	-	-	-	-	
-	25BR	2500KP	2.5MP	25KG	
400#	-	-	-	-	
600#	40BR	4000KP	4MP	40KG	
800#	-	-	-	-	
-	60BR	6000KP	6MP	60KG	
1000#	-	-	-	-	
1500#	100BR	10,000KP	10MP	100KG	
2000#	-	-	-	-	
-	160BR	16,000KP	16MP	160KG	
3000#	-	-	-	-	
-	250BR	25,000KP	25MP	250KG	
4000#	-	-	-	-	
5000#	-	-	-	-	
6000#	400BR	40,000KP	40MP	400KG	
-	600BR	60,000KP	60MP	600KG	
8000#	-	-	-	-	
10,000#	-	-	-	-	
15,000#	1000BR	100,000KP	100MP	1,000KG	
20,000#					Stainless steel systems only
30,000#					Monel® systems only

Data Sheet

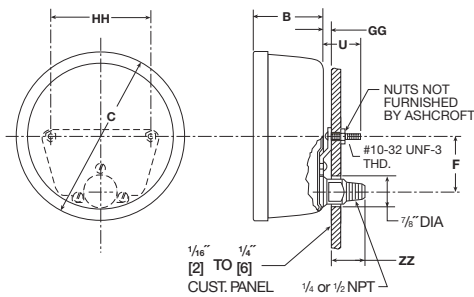
1009 4½" & 6" SS Gauge

DIMENSIONS in [] are millimeters

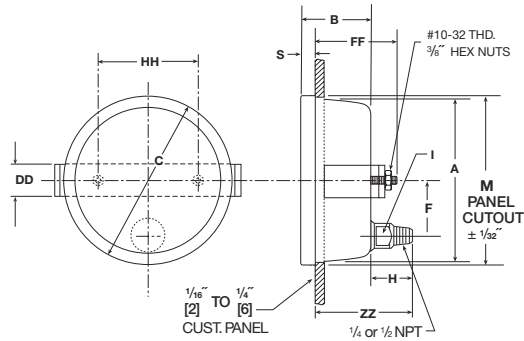
For reference only, consult Ashcroft for specific dimensional drawings

Gauge Size	A	B	C	C-1	D	DD	E	F	FF	G	GG	H	HH	I	J	L	M	S	U	ZZ	Weight	
																					Dry	LF
4½"	4.72	2.06	5.09	6.25	.94	1	5.69	1.63	2.31	3.94	.19	1.63	3	.63	.16	.22	4.81	.47	1.44	3.28	1.75#	2.40#
[114.3]	[120]	[52]	[129]	[159]	[24]	[25]	[144]	[41]	[59]	[100]	[5]	[41]	[76]	[16]	[4]	[6]	[122]	[12]	[37]	[83]	0.79 kg	1.1 kg
6"	6.31	2	6.66	7.22	.84	1	7.03	1.63	2.63	4.81	.19	1.63	4.5	.63	.06	.25	6.44	.41	1.44	.63	2.25#	4.12#
[152.4]	[160]	[51]	[169]	[194]	[22]	[25]	[179]	[41]	[67]	[122]	[5]	[41]	[144]	[16]	[2]	[7]	[163]	[10]	[37]	[81]	1 kg	1.85 kg

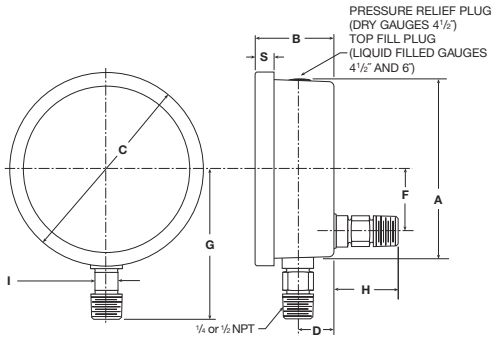
4½" & 6" 1009 BACK CONNECT, WALL MOUNTING BRACKET (XBF)



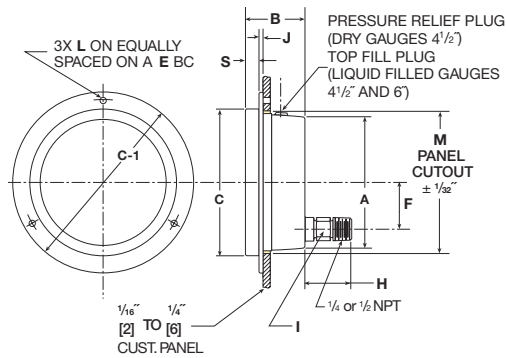
4½" & 6" 1009 BACK CONNECT U-CLAMP (XUC)



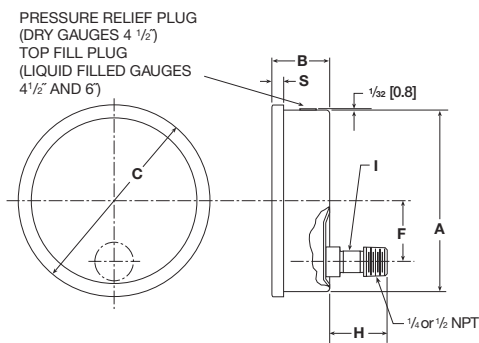
4½" & 6" 1009 LOWER OR BACK CONNECT



4½" & 6" 1009 BACK CONNECT FRONT FLANGE (XFF)



6" 1009 BACK CONNECT



6" 1009 LOWER CONNECT

