

Data Sheet

1008S/SL Center Back Pressure Gauge

FEATURES

- FlutterGuard™ option to reduce movement wear and pointer flutter
- All welded stainless steel construction
- Dry or liquid filled versions
- Center back connection

TYPICAL USES

- Pumps and compressors
- Hydraulics and pneumatics
- Specialized OEM equipment
- Food and beverage



SPECIFICATIONS

Accuracy:	±3-2-3% of span (ASME B40.100, Grade B)
Size:	63mm, 100mm
Ranges:	Vacuum, Compound to 20,000 psi
Process Connection Location:	Center Back
Process Connection Size:	¼ NPT Male
Fill Plug:	Buna-N ventable design
Movement:	SS Gear type
Window Material:	Polycarbonate
Dial:	Black figures on white background, aluminum
Pointer:	Black, aluminum
Weather Protection:	NEMA 4X/IP65 (plug closed) NEMA 3/IP54 (plug vented)
Dampening:	Liquid filled, FlutterGuard™ and throttle plug
Mounting:	U-clamp, front flange, retrofit flange
Approvals:	CRN, RoHS

WETTED COMPONENTS

Bourdon Tube	Process Connection Material	Joints
316L SS	316 SS	Welded

NON-WETTED COMPONENTS

Case	Ring
304 SS	304 SS crimped

1008S/SL Center Back
63mm, 100mm dial size



KEY BENEFITS

- Accessory kits for easy panel mounting
- True Zero™ reduces reading errors “zero box” instead of conventional dial pins
- One year warranty

MIN/MAX TEMPERATURE LIMITS

Version	Ambient	Process	Storage
Dry	-40°F to 200°F (-40°C to 93°C)	-40°F to 250°F (-40°C to 121°C)	-40°F to 250°F (-40°C to 121°C)
Glycerin Fill	20°F to 150°F (-7°C to 66°C)	20°F to 200°F (-7°C to 66°C)	0°F to 150°F (-18°C to 66°C)
Silicone Fill	-40°F to 150°F (-40°C to 66°C)	-40°F to 200°F (-40°C to 93°C)	-40°F to 150°F (-40°C to 66°C)
Halocarbon® Fill	-40°F to 150°F (-40°C to 66°C)	-40°F to 200°F (-40°C to 93°C)	-40°F to 150°F (-40°C to 66°C)

Data Sheet

1008S/SL Center Back Pressure Gauge

ORDERING CODE	Example:	63	1008	S	L	02	C	XUC	100#
Dial Sizes									
63 - 63mm (2½")		63							
10 - 100mm (3½")									
Model Code									
1008 - 304 SS case			1008						
System									
S - 316 SS tube/316 SS process connection				S					
Case Fill									
Blank - Dry gauge									
L - Liquid fill (glycerin)					L				
Process Connection Size									
01 - ⅛ NPT Male (63mm only)									
02 - ¼ NPT Male						02			
RW - SAE 4 7/16"-20 Straight thread with washer and O-ring (63mm only)									
Process Connection Location									
C - Center back							C		
Options (If choosing an option(s) must include an "X")									X__
Dampening									
ZY - FlutterGuard™									
GV - Silicone filled									
TU - Stainless steel throttle plug (0.013" orifice) standard on liquid filled and flutter guard 30 psi and above; on dry gauges 1000 psi and above									
Mounting									
UC - U-clamp mounting									
FF - Front flange									
RF - Retrofit flange									
Case									
LJ - Liquid fillable dry case (throttle plug supplied as standard)									
Test and Calibration									
6B - Cleaned for oxygen service (dry gauges only)									
C4 - Individual certified calibration chart									
Other									
AN - 1% accuracy									
NH - Stainless steel tag									
NN - Paper tag									
Range (See range table on page 3 for all standard ranges)									
Single Scales									
100# - 100 psi									100#

Data Sheet

1008S/SL Center Back Pressure Gauge

SINGLE SCALE					NOTES
	psi	bar	kPa	Mpa	kg/cm2
Vacuum	30IMV	N1BR	N100KP	NO.1MP	N1KG
	-	N1/0.6BR	N100/60KP	NO.1/0.6MP	N1/0.6KG
	30IMV&15#	-	-	-	-
Compound	-	N1/1.5BR	N100/150KP	NO.1/15MP	N1/1.5KG
	30IMV&30#	-	-	-	-
	-	N1/3BR	N100/300KP	NO.1/3MP	N1/3KG
	30IMV&60#	-	-	-	-
	-	N1/5BR	N100/&500KP	NO.1/5MP	N1/5KG
	-	-	-	-	-
	30IMV&100#	-	-	-	-
	30IMV&150#	-	-	-	-
	30IMV&300#	-	-	-	-
	-	N1/9BR	N100/900KP	NO.1/9MP	N1/9KG
Positive Pressure	15#	1BR	100KP	0.1MP	1KG
	-	1.6BR	160KP	0.16MP	1.6KG
	30#	-	-	-	-
	-	2.5BR	250KP	0.25MP	2.5KG
	60#	4BR	400KP	0.4MP	4KG
	-	6BR	600KP	0.6MP	6KG
	100#	-	-	-	-
	-	10BR	1000KP	1MP	10KG
	160#	-	-	-	-
	200#	-	-	-	-
	-	16BR	1600KP	1.6MP	16KG
	300#	-	-	-	-
	-	25BR	2500KP	2.5MP	25KG
	400#	-	-	-	-
	600#	40BR	4000KP	4MP	40KG
	800#	-	-	-	-
	-	60BR	6000KP	6MP	60KG
	1000#	-	-	-	-
	1500#	100BR	10,000KP	10MP	100KG
	2000#	-	-	-	-
-	160BR	16,000KP	16MP	160KG	
3000#	-	-	-	-	
-	250BR	25,000KP	25MP	250KG	
4000#	-	-	-	-	
5000#	-	-	-	-	
6000#	400BR	40,000KP	40MP	400KG	
-	600BR	60,000KP	60MP	600KG	
8000#	-	-	-	-	
10,000#	-	-	-	-	
15,000#	1000BR	100,000KP	100MP	1,000KG	

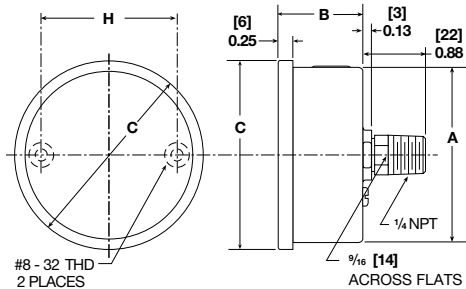
1008S/SL Center Back Pressure Gauge

DIMENSIONS in [] are millimeters

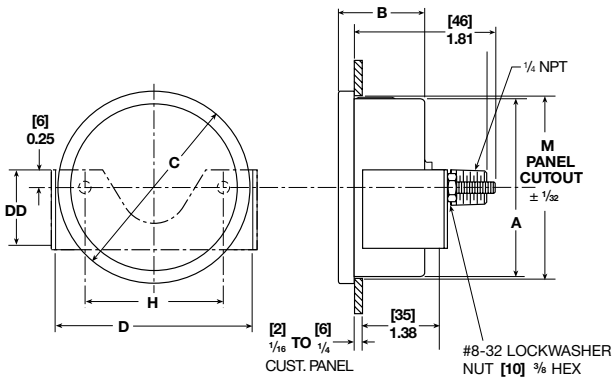
For reference only, consult Ashcroft for specific dimensional drawings

Gauge Size (inches)	A	B	C	C-1	D	DD	E	H	M
2.48 [63]	2.48 [63]	1.21 [31]	2.71 [69]	3.36 [86]	2.95 [75]	1.12 [28]	2.95 [75]	1.94 [49]	2.54 [65]
3.94 [100]	3.94 [100]	1.21 [31]	4.16 [106]	5.22 [133]	4.20 [107]	1.12 [28]	4.57 [116]	3.00 [76]	3.97 [101]

Center Back Connection



Center Back Connection U-Clamp



Center Back Connection Front Flange

