

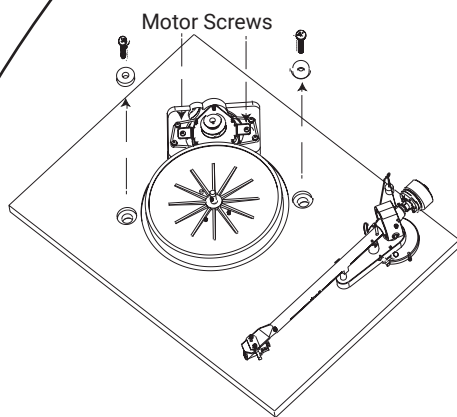
ANDOVER-ONE

TURNTABLE MUSIC SYSTEM

TURNTABLE QUICK SETUP

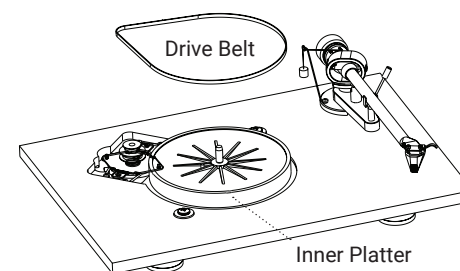
STEP 1 - Remove the Shipping Screws

- Loosen the TWO primary motor screws a few turns with a screwdriver. They can be left in place but left loose enough to allow the motor to move freely. Leave the rubber bumpers under these screws to support the motor.
- Remove the TWO large Philips shipping screws. A Philips screwdriver is included in the accessory package.
- Save all the screws and reinstall them whenever shipping or moving the unit to prevent damage.



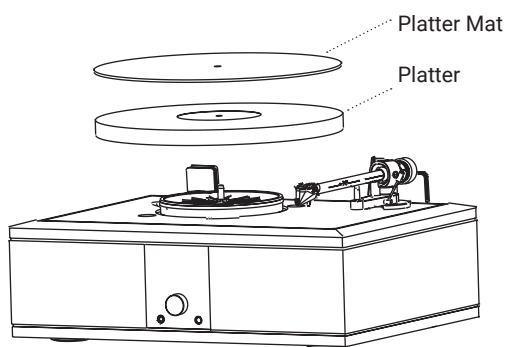
STEP 2 - Install the Drive Belt

- Install the flat drive belt by stretching it around the inner platter and over the "top step" of the small motor pulley to use with 33 or 45RPM records.
- For use with 78RPM records: Install the round drive belt on the large lower pulley instead.



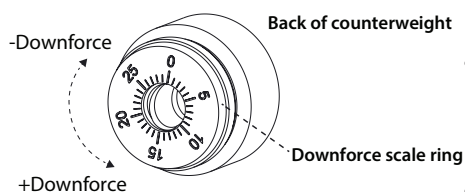
STEP 3 - Install the Platter

- With two hands, gently place the platter on the spindle, followed by the felt platter mat.
- Some users prefer to place the records directly on the Acrylic platter. This will be discussed later in the 'Customizing Your Vinyl Experience' section at the end of this manual.



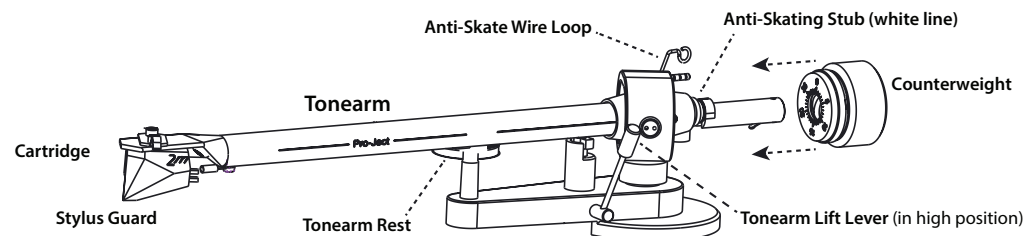
STEP 5 - Set the Tracking Force

- Use one hand to hold the counterweight in position to keep it from moving.
- Use your other hand to gently revolve the downforce scale ring until the zero (0mg) is vertical at the 12 o'clock position.
- Next, rotate the counterweight and downforce scale ring together as one, counter-clockwise (as seen from the front) to adjust the downforce according to the cartridge manufacturer's recommendations using the numbers on the downforce scale ring.
- Set the counterweight scale to 18nM (1.8g) for the supplied Ortofon 2M Silver.



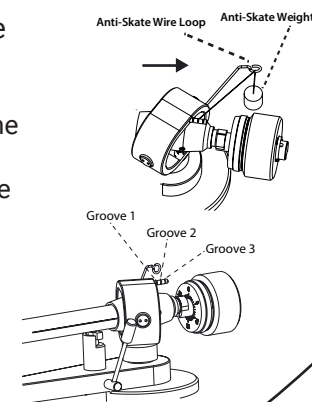
STEP 4 - Balance the Tonearm

- Install the counterweight by pushing it carefully onto the rear of the tonearm until the threaded section clicks lightly into place.
- Remove the stylus guard from the cartridge.
- With the tonearm lift lever in the lowered position, move the tonearm from its rest to a position where it can move freely.
- Rotate the counterweight until the tonearm tube balances such that it floats level.
- Once the tonearm is correctly balanced, return it to the tonearm rest position.



STEP 6 - Set the Anti Skate force

- Carefully hang the anti-skate weight over the wire loop and attach the string to the appropriate groove on the anti-skating stub.
- For the supplied 2M silver, set the string in the middle groove (Groove 2, shown in example above).



TURNTABLE STROBE DISC

For 60Hz power only

Instructions: Place the strobe disc on the platter.

View under a fluorescent or neon light source to check speed.

The dots will appear stationary when the indicated speed is reached.

33.33 RPM - Outer Ring

45 RPM - Middle Ring

78 RPM - Inner Ring (Actual 78.2)

Note: The correct number of dots for 78RPM @ 60Hz. is not an integer, therefore some small drift will be apparent.



www.andoveraudio.com

pn 1123RE