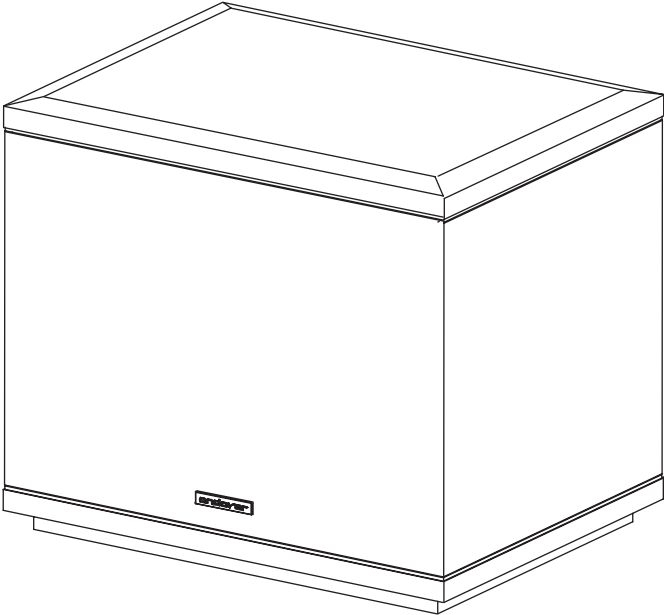


ANDOVER-ONE

SUBWOOFER



www.andoveraudio.com

Table of Contents

Warnings / FCC Statement.....	4-5
Introduction / About.....	6
In the Box / Room Placement.....	7
Subwoofer Setup.....	8, 9
Making the Initial Connections.....	10
Adjusting Level and Frequency.....	11
Isogroove Technology.....	12
Guarantee / Product Cleaning.....	13
Specifications / Contact.....	14

WARNING

DO NOT OPEN
TO PREVENT THE RISK OF ELECTRIC
SHOCK, DO NOT REMOVE COVER. NO
USER-SERVICEABLE PARTS INSIDE.
REFER SERVICING TO QUALIFIED
SERVICE PERSONNEL.



This symbol alerts the user to the presence of uninsulated "dangerous voltage" within the product's enclosure that may be of sufficient magnitude to constitute a risk of electric shock to persons.



This symbol is intended to alert the user to the presence of important operating and maintenance (servicing) instructions in the literature accompanying the appliance.

Important Safety Instructions

1. Read these instructions.
2. Keep these instructions.
3. Heed all warnings.
4. Do not use this apparatus near water.
5. Clean only with dry cloth.
6. Do not block any ventilation openings. Install in accordance with the manufacturer's instructions.
7. Do not install near any heat sources such as radiators, heat registers, stoves, or other apparatus (including amplifiers) that produce heat.
8. Do not defeat the safety purpose of the polarized or grounding-type plug. A polarized plug has two blades with one wider than the other. A grounding type plug has two blades and a third grounding prong. The wide blade or the third prong are provided for your safety. If the provided plug does not fit into your outlet, consult an electrician for replacement of the obsolete outlet.
9. Only use attachments/accessories specified by the manufacturer.
10. Use only with the cart, stand, tripod, bracket or table specified by the manufacturer, or sold with the apparatus. When a cart is used, use caution when moving the cart/apparatus combination to avoid injury from tip-over.
11. Unplug this apparatus during lightning storms or when not used for long periods of time.
12. Refer all servicing to qualified service personnel. Servicing is required when the apparatus has been damaged in any way, such as power supply cord or plug is damaged, liquid has been spilled or objects have fallen into the apparatus, the apparatus has been exposed to rain or moisture, does not operate normally, or has been dropped.
13. The apparatus shall not be exposed to dripping or splashing and that no objects filled with liquids, such as vases, shall be placed on the apparatus.

14. Do not install this apparatus in a bookcase or similar unit.
15. The apparatus draws nominal non-operating power from the AC outlet with its STANDBY/ON switch in the standby position.
16. The apparatus should be located close enough to the AC outlet so that you can easily grasp the power cord plug at any time.
17. To completely disconnect the power input, the rear panel power switch may be switched off.
18. Excessive sound pressure from earphones and headphones can cause hearing loss.
19. The battery shall not be exposed to excessive heat such as sunshine, fire or the like.

Additional Safety Advice

1. Keep surrounding objects at least four inches away from the apparatus for adequate ventilation.
2. Ventilation openings on the apparatus should not be impeded by such items as newspaper, cloths, curtains, and the like.
3. Do not place open flame sources near the apparatus, such as lighted candles.
4. Dispose of internal electronics in accordance with local safety and environmental regulations.
5. Do not operate the apparatus at a temperature less than 36° F / 2° C or greater than 100° F / 38° C.

Caution

- DO NOT REMOVE THE EXTERNAL ENCLOSURE PARTS TO EXPOSE THE ELECTRONICS. NO USER SERVICEABLE PARTS ARE INSIDE.
- IF YOU ARE EXPERIENCING PROBLEMS WITH THIS PRODUCT, CONTACT ANDOVER AUDIO CUSTOMER SUPPORT. DO NOT USE THE PRODUCT UNTIL IT HAS BEEN REPAIRED.

FCC STATEMENT FOR THE U.S.A.

This equipment has been tested and found to comply with the limits of part 15 of the FCC rules. These limits are designed to provide reasonable protection against harmful interference in a residential installation. This equipment generates, uses, and can radiate radio frequency energy and, if not installed and used in accordance with the instructions, may cause harmful interference to radio communications. However there is no guarantee that interference will not occur in a particular installation. If this equipment does cause harmful interference to radio or television reception, which can be determined by turning the equipment off and on, the user is encouraged to try to correct the interference by one or more of the following measures:

- Reorient or relocate the equipment.
- Increase the separation between the equipment and receiver.
- Connect the equipment to an AC outlet of a different mains circuit from the main circuit/outlet providing power to the receiver.
- Consult the dealer or an experience radio/TV technician for help.
- Changes or modification to this equipment not expressly approved by Andover for compliance will void the user's warranty.

Caution

Changes or modification to this equipment not expressly approved by Andover for compliance will void the user's warranty.

This product can be recycled. Products bearing this symbol must NOT be thrown away with normal household waste. At the end of the product's life, take it to a collection point designated for recycling of electrical and electronic devices. Find out more about return and collection points through your local authority.

The European Waste Electrical and Electronic Equipment (WEEE) Directive was implemented to dramatically reduce the amount of waste going to landfills, thereby reducing the environmental impact on the planet and on human health. Please act responsibly by recycling used products. If this product is still usable, consider giving it away or selling it.



Introduction

Thanks for choosing the Andover-One Subwoofer. Your Subwoofer is perfectly matched both sonically and aesthetically to the Andover-One Turntable Music System. It may be used standalone with its beautiful tempered-glass top, or integrated with the Andover-One stand system to create a full range music system with the smallest possible footprint.

While optimized for use with the Andover-One system, it is also a great choice to use as a companion to a high-quality audio system of any brand to extend its low frequency performance.

Unlike common home-theater subwoofers, the Andover-One Subwoofer design prioritizes smooth frequency response and accurate impulse response over sheer loudness. Its twin 10" Woofers in a sealed Acoustic Suspension design provide smooth, extended bass response that perfectly matches the Andover-One Music System.

To get the most from your system, be sure to thoroughly review this manual and heed the important safety instructions. If you have any questions not covered here please contact Andover Audio support via email (support@andoveraudio.com) or phone (+1 978.775.3670).

With the proper care and operation, your Andover product will provide many years of trouble-free enjoyment.

Please save the carton and original packaging in case you ever need to move or ship your unit.

About Andover

Since 2012, Andover Audio has provided design and manufacturing services behind the scenes to some of the most recognized brands in automotive, professional, and high-performance consumer audio. We now focus our award-winning skills to our own product line that artfully blends exceptional sound with distinctive design.

In the Box

- Andover-One Subwoofer
- Glass Top (Removable)
- AC Power Cord
- 1M signal cable with RCA plugs
- 2M signal cable with RCA plugs
- Leveling Feet (QTY - 4)
- Product Manual

Room Placement

The long wavelengths of low frequency sounds exceed the dimensions of most domestic rooms. With such long wavelengths, the sound reflected from the walls will reinforce bass in some places, and cancel bass in others. This is the result of “standing waves”. As a result, each room significantly influences the perceived bass from a given listening position. Understanding how these standing waves work within your particular room is important to get the most satisfying overall performance. Moving the subwoofer a few feet either way can have a dramatic effect on perceived bass response. Each room is different, so experimentation in your specific room is essential.

The symmetry resulting from placing the subwoofer directly in the center of a wall can often make the effect of standing wave reflections more pronounced. It is usually best to place the woofer a few feet to either side of center.

Corner placement will yield the strongest reinforcement of bass within the room, but may also further exacerbate standing waves. You will need to try various locations to determine what location works best on your particular room.

Your Andover-One Subwoofer uses a digital crossover with a very sharp cutoff above the selected frequency. This makes it possible to separate the subwoofer location from the Andover-One Turntable Music System by up to 12 feet and still maintain a smooth blend with the main speakers. Once you have determined the location for your subwoofer, you should fine-tune the volume and low-pass frequency for the best sonic blend from your preferred listening position.

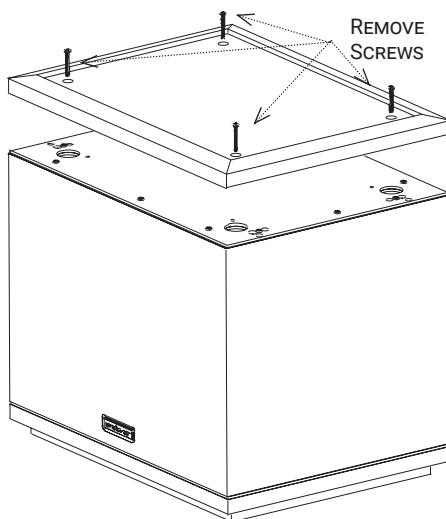
When you install the Andover-One Subwoofer as an integral part of the stand, locate the Andover-One system where for the best full range sound, as outlined in the Andover-One Turntable Music System manual. Placing the system near the center of a wall, but not perfectly centered, will likely yield the best overall sound.

Subwoofer Setup

Install the four adjustable feet in the four bottom corners of the subwoofer by screwing them into the threaded inserts. These may be adjusted slightly to level the subwoofer or stand if necessary once it is in its final location in your room.

To use the Subwoofer separately:

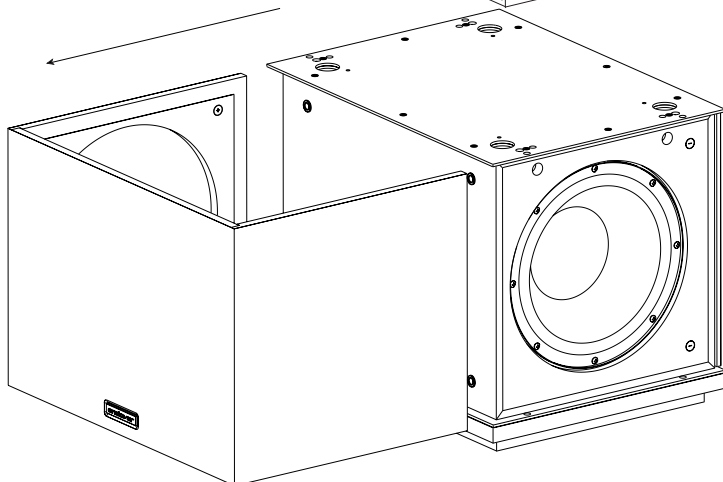
1. Carefully remove the tempered glass top from the foam packaging and gently place it in the recess in the center of the top frame.
2. Depending your final placement you may need to adjust the volume control away from its center position to match the output from the Andover-One Music System from your listening position.

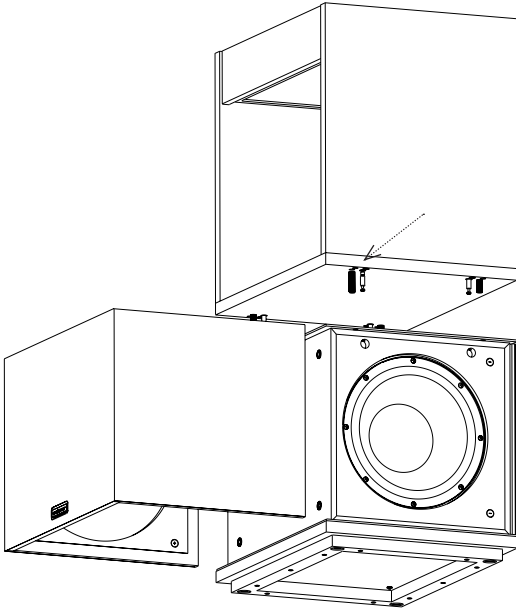


To integrate the Subwoofer with the stand:

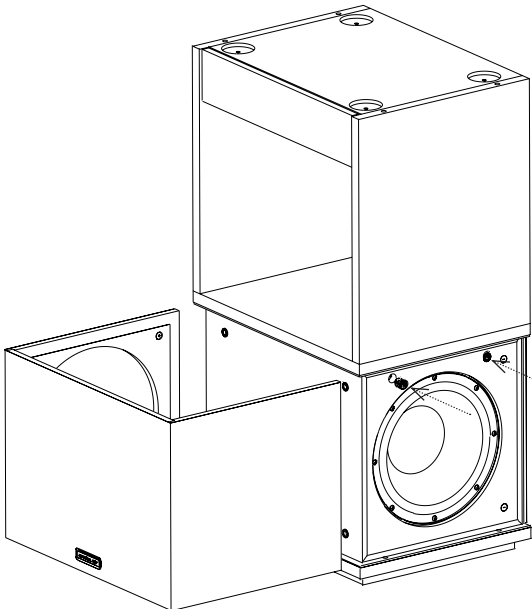
1. Remove the 4 screws holding the top panel to the subwoofer for shipping and put aside the top.

2. Remove the subwoofer grille by pressing on the grille from the back on both sides. Slide the grille straight forward.



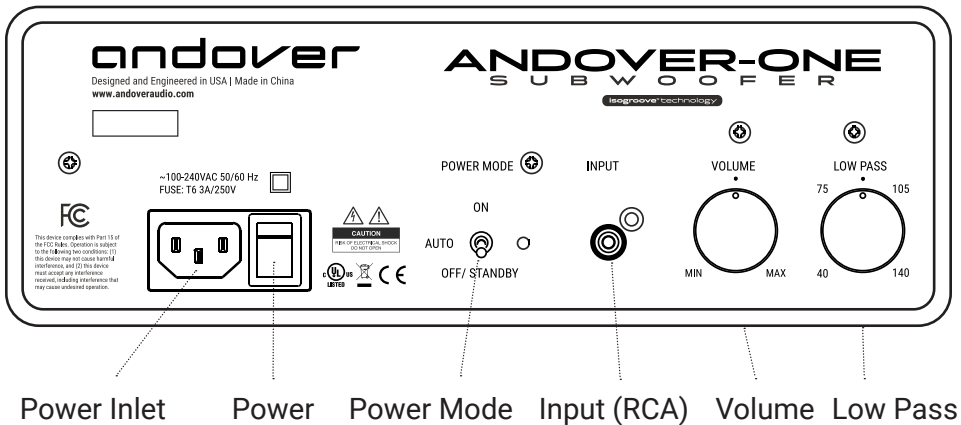


3. Prepare the top stand by installing the 4 cam-lock pins into the innermost threaded holes. Screw them in fully, but do not overtighten. Also press the wooden alignment dowels fully into the larger adjacent holes.
4. Place the top stand on the subwoofer, being careful to align the pins into the proper holes.



5. Insert locking cams into each of the four holes and lock them by turning the cams clockwise until they stop.
6. Reinstall the grille by sliding it carefully from the front until it is fully seated.
7. Adjust the leveling feet if needed to level the assembly.

Back Panel



Making the Initial Connections

1. Connect the power cord into the AC power input connector and plug the other end into a grounded wall outlet.
2. Connect an RCA cable from the Subwoofer output of the source component into the RCA jack input.
3. Switch the power switch adjacent to the AC input ON.
4. Switch the Power mode switch to the AUTO (middle) position.

If using the Andover-One Turntable music system, set the Volume and Frequency knobs to their center detent position. This is our factory-recommended setting. Once the system is installed and operating, you may freely adjust these controls to your taste.

The LED adjacent to the Power Mode switch indicates operating status. A Red LED indicates the subwoofer is on and in Standby. When a signal is present, the LED will turn green and the subwoofer will be active. After a few minutes of silence, the woofer will return to Standby.

Adjusting Level and Frequency

The centered positions of the level and frequency knobs represent the ideal starting point when the subwoofer is used with the Andover-One Music System. It should provide an ideal match when the subwoofer is used as the lower section of the stand.

If the subwoofer is placed separately from the stand, or if using a source other than the Andover-One Music System, you may need to adjust the settings away from the default.

Adjust the subwoofer level as desired to balance the bass level with the rest of the system from your listening position. Please note that excessive bass boost might result in excessive distortion, and in extreme instances may induce feedback despite Isogroove technology. Increasing volume level beyond the detent (centered) position should be done in moderation. For the most musically satisfying performance, the volume should be set to a level that the subwoofer does not sound like it is a separate speaker. It should blend smoothly with the primary sound and not draw particular attention to itself.

You also may adjust the Low Pass filter to achieve sound that pleases you. If you feel the need for more mid-bass to add weight to male voices and electric bass, turn the frequency knob a few degrees clockwise. This will increase the upper bass reinforcement from the subwoofer. Alternately, if you would like to reduce the upper bass, without affecting the very low bass, turn the frequency knob counterclockwise. We strongly believe that this adjustment is best done by ear in the final location.

If your source component is a home theater receiver with a subwoofer output, set the Andover-One Subwoofer frequency control fully clockwise, and use the cross-over settings on your receiver or processor to set the frequency.

Many people initially adjust their subwoofer unrealistically loud, and end up turning the level down as time passes. We recommend starting from the centered position on both controls, give yourself some time to get used to the sound with these settings, then adjust them gradually over time until you achieve the balance that suits your preference.

Isogroove Technology

Isogroove is our name for the suite of design features that reduce the generation and subsequent transmission of mechanical vibrations through the structure of the product. This reduces the likelihood they will be picked up by the turntable's stylus, resulting in feedback. Andover products featuring Isogroove have been tested in a variety of locations and proven to be very effective when used as intended. There are some rare instances where feedback might still occur, despite the effectiveness of Isogroove technology.

1. Airborne sound waves may vibrate the stylus directly, and not through mechanical vibrations within the product that Isogroove addresses. If this occurs, you may need to reduce the volume level of the subwoofer or move the subwoofer further away from the Andover-One Turntable Music system.
2. The building structure may transmit vibrations through the floor, and eventually into the turntable. It may be necessary to experiment with locations within your room to find the most solid footing to minimize building structure vibrations.

Please note that these occurrences are not failures of Isogroove technology but are the result of uncommon installation conditions external to the product. These problems can generally be resolved by moving the components within the room or relative to each other.

In case of difficulty, please don't hesitate to contact us at:
support@andoveraudio.com or +1 978.775.3670

Two-Year Warranty

Andover Audio warrants Andover-One products against manufacturing defects and workmanship to the initial purchaser for a period of two (2) years from the date of delivery to customer. Andover Audio will repair or replace the unit as necessary to restore proper operation. This warranty covers both parts and labor for the warranty period. The warranty excludes physical damage caused by accident or abuse outside of our control. Or if the unit is damaged due to incorrect packing. The warranty also excludes normal wear items such as the stylus and belt on turntable models. If you think you need warranty service, please contact us to obtain an RMA (Return Merchandise Authorization) by e-mailing support@andoveraudio.com. For more information on returns and exchanges, please visit www.andoveraudio.com/support. If your unit was purchased from a local dealer, contact them first. They may be able to resolve some issues without requiring a return.

Service

Should you encounter a problem that you are unable to solve, please contact customer service at support@andoveraudio.com, or the dealer that sold you your unit. If you must return your unit for any reason, it must be safely packed and shipped in its original carton and packing material. Be sure to remove the glass top and repackage it in its dedicated foam wrap. Damage that is the result of improper packaging is not covered by the warranty.

Product Cleaning

Use a soft dry cloth, or compressed air. Natural wood surfaces may be conditioned using a quality wood surface cleaner and finishing oil. The glass top may be cleaned with a traditional glass cleaner, but be careful not to use an excessive amount that may damage the surrounding wood frame.

Do not use harsh or chlorine based cleaner anywhere on the product. Only clean the exterior of the product.

Specifications

Type: Acoustic Suspension (Sealed)
Enclosure ¾" MDF with internal bracing, Genuine walnut trim, and tempered glass top.

Woofers: 2 x 10"

Nominal Diameter with Polypropylene cones and 2" Voice Coils

Amplifier Power: 200W RMS

Input type: Monaural Line input.

Crossover Type: 4th Order
Linkwitz-Riley variable low-pass filter

Crossover Frequency: Variable 40Hz – 140Hz. Default (center) 100Hz.

Usable Frequency Range: 25Hz – 140Hz (High Frequency cutoff depends on Low Pass filter setting.)

Power input: 3pin IEC connector

Power Requirement: 100-240VAC 50-60Hz.

Dimensions

With top installed: 18" W x 13.5" D x 15.75"H

With top removed: 18" W x 13.5" D x 14.75"H

Andover Audio, L.L.C.
15 High Street North Andover, Massachusetts 01845
www.andoveraudio.com | support@andoveraudio.com

Andover is a registered trademark of Andover Audio L.L.C.