

# OEM



## Description

The A200/VDC is a compact pump, driven by a planetary, brushed DC motor rated for continuous duty. Pump flow rates can be regulated by input voltage, or with our OEM controller, which provides 10:1 speed control, directional, and start/stop functions. Combined with the ability to accept multiple tube sizes, this pump has a broad range of flow rate capabilities in a very compact size.

## Features & Benefits

- Flow rates of 325 to 2 mL/min
- Integrated mounting plate for ease of installation
- Fast & easy tube changes - no tools required
- Accepts continuous tubing for clean fluid paths
- Optional 4-roller assembly for reduced pulsation
- Available in a range of standard colors
- NSF/ANSI 29 rated models available
- Up to 25 psi working pressure
- Made in USA

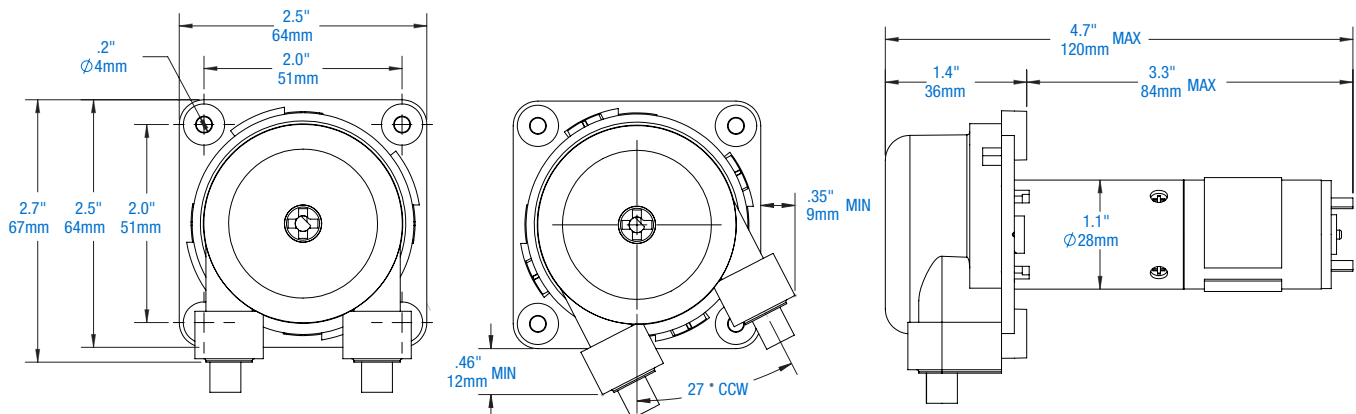
Specifications	
Pump Series	A200
Tube Wall Utilized	1.6mm (1/16")
Max. Tube Bore	6.4mm (1/4")
Motor Type	Brushed DC
Operating Voltage	6V to 30V
Max Current	1.0A
Duty Cycle	Continuous
Max. Outlet Pressure	25 psi
Materials of Construction	
Pump Head	Polycarbonate
Roller Material	Acetal
Rotor Material	Acetal

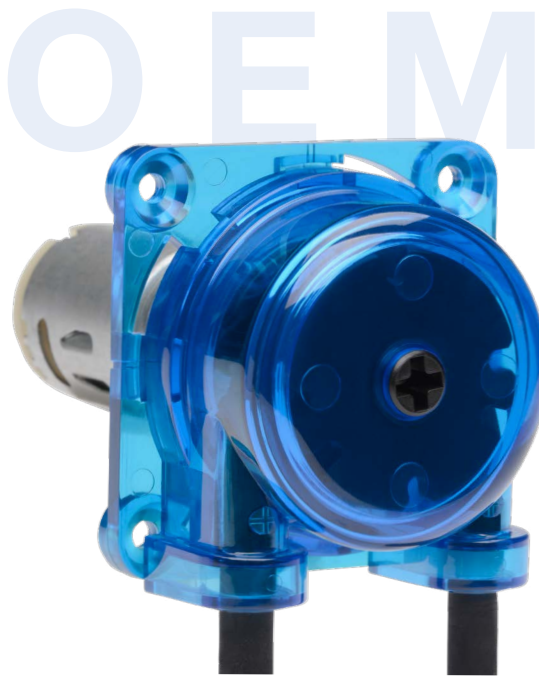
Flow Rates by Model & Tube Bore (mL/min)				
Motor Options		Tube Bore		
Motor #	Input Voltage	6.4mm (1/4")	4.8mm (3/16")	3.2mm (1/8")
D158B	24V	325	198	94
	6V	81	50	24
D084B	24V	185	113	54
	6V	46	28	13
D042B	24V	100	61	29
	6V	25	15	7
D014B	24V	34	21	10
	6V	9	5	2

Minimum flow rates are approximately 10% of rated voltage flows when regulated with ANKO OEM Brushed Controller.

Flow rates are for guidance purposes only and are based upon pumping ambient temperature (22°C/72°F) water, using firm tubing, at zero pressure and lift. Rates may increase/decrease based upon numerous factors including motor variances, tubing characteristics, fluid viscosity, lift height, pressure and number of rollers. Anko reserves the right to make changes at any time without prior notice. The information provided is not intended for a specific application purpose.

## Overall Dimensions





## Description

A200/BLDC is a compact pump, driven by a planetary, brushless DC motor rated for continuous duty. Pump flow rates can be regulated by input voltage, or with our OEM controller, which provides 20:1 speed control, directional, and start/stop functions. Combined with the ability to accept multiple tube sizes, this pump has a broad range of flow rate capabilities in a very compact size.

## Features & Benefits

- Flow rates of 350 to 3 mL/min
- Integrated mounting plate for ease of installation
- Fast & easy tube changes - no tools required
- Accepts continuous tubing for clean fluid paths
- Optional 4-roller assembly for reduced pulsation
- Available in a range of standard colors
- NSF/ANSI 29 rated models available
- Up to 25 psi working pressure
- Made in USA

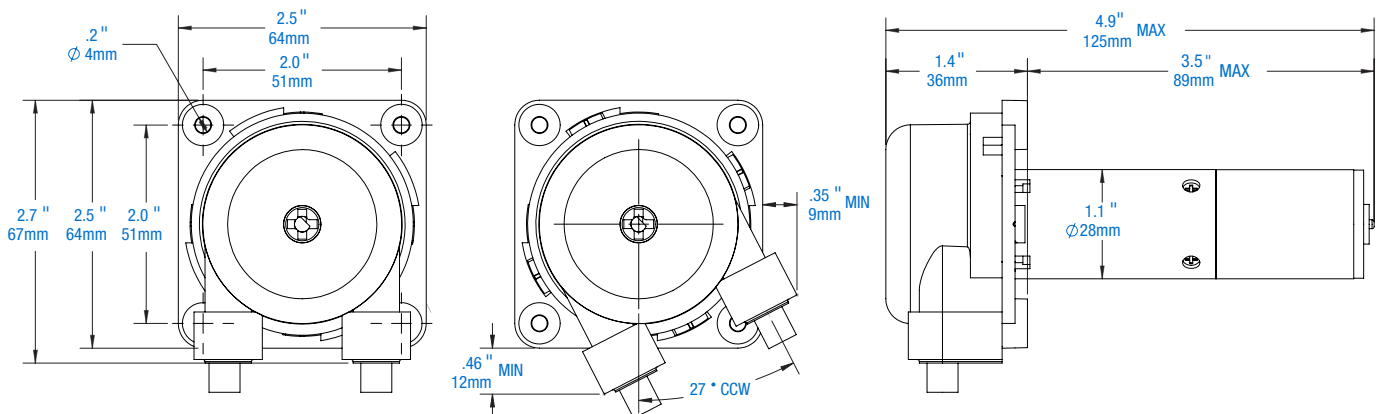
Specifications	
Pump Series	A200
Tube Wall Utilized	1.6mm (1/16")
Max. Tube Bore	6.4mm (1/4")
Motor Type	Brushless DC
Operating Voltage	8V to 30V
Max Current	1.0A
Duty Cycle	Continuous
Max. Outlet Pressure	25 psi
Materials of Construction	
Pump Head	Polycarbonate
Roller Material	Acetal
Rotor Material	Acetal

Flow Rates by Model & Tube Bore (mL/min)				
Motor Options		Tube Bore		
Motor #	Input Voltage	6.4mm (1/4")	4.8mm (3/16")	3.2mm (1/8")
B150B	24V	349	213	101
	8V	115	70	33
B072B	24V	168	102	49
	8V	55	34	16
B042B	24V	98	60	28
	8V	32	20	9
B012B	24V	29	18	8
	8V	10	6	3

Minimum flow rates are approximately 5% of rated voltage flows when regulated with ANKO OEM Brushless Controller.

Flow rates are for guidance purposes only and are based upon pumping ambient temperature (22°C/72°F) water, using firm tubing, at zero pressure and lift. Rates may increase/decrease based upon numerous factors including motor variances, tubing characteristics, fluid viscosity, lift height, pressure and number of rollers. Anko reserves the right to make changes at any time without prior notice. The information provided is not intended for a specific application purpose.

## Overall Dimensions



# OEM



## Description

The A300/VDC is an extremely versatile pump, driven by a brushed DC motor rated for continuous duty. Pump flow rates can be regulated by input voltage, or with our OEM controller, which provides 10:1 speed control, directional, and start/stop functions. Combined with the ability to accept multiple tube bore sizes, this pump has a broad range of flow rate capabilities.

A300 pumps are configurable to utilize 1.6mm (1/16") or high-performance 2.4mm (3/32") wall tubing giving them the ability to perform in a wide range of applications.

## Features & Benefits

- Flow rates of 1400 to 5 mL/min
- Wide range of available motor speeds
- Accepts continuous tubing for clean fluid paths
- Heavy-duty steel rotor
- Friction-reducing Nylatron® rollers for longer tube life
- Optional mounting plate for ease of installation
- NSF/ANSI 29 rated models available
- Up to 25 psi working pressure
- Made in USA

Specifications	
Pump Series	A300
Tubing Wall Utilized	A301 — 1.6mm (1/16") A302 — 2.4mm (3/32")
Max. Tube Bore	A301 — 7.9mm (5/16") A302 — 6.4mm (1/4")
Motor Type	Brushed DC
Operating Voltage	12V Motor — 4V to 15V 24V Motor — 8V to 30V
Max Current	12V Motor — 3.0A 24V Motor — 1.5A
Duty Cycle	Continuous
Max. Outlet Pressure	25 psi
Materials of Construction	
Pump Head	Polycarbonate
Roller Material	Nylatron
Rotor Material	CRS - Zinc plated
Ball Bearings	SS Shielded

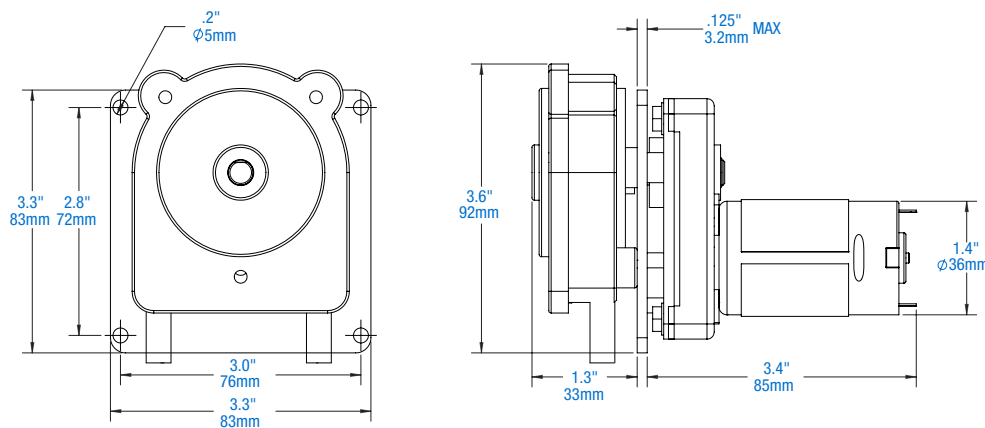
Flow Rates by Motor & Tube Bore (mL/min)						
Motor Options			Tube Bore			
12V DC	24V DC	Input Voltage	7.9mm (5/16") *	6.4mm (1/4")	4.8mm (3/16")	3.2mm (1/8")
D345A	D356B	Rated	1457	1026	626	298
		33% of Rated	481	339	207	98
D113A	D116B	Rated	500	352	215	102
		33% of Rated	165	116	71	34
D070A	D072B	Rated	316	222	136	64
		33% of Rated	104	73	45	21
D015A	D016B	Rated	68	48	29	14
		33% of Rated	22	16	10	5

\* Limited to tubing with 1.6mm wall thickness.

Minimum flow rates are approximately 10% of rated voltage flows when regulated with ANKO OEM Brushed Controller.

Flow rates are for guidance purposes only and are based upon pumping ambient temperature (22°C/72°F) water, using firm tubing, at zero pressure and lift. Rates may increase/decrease based upon numerous factors including motor variances, tubing characteristics, fluid viscosity, lift height, pressure and number of rollers. Anko reserves the right to make changes at any time without prior notice. The information provided is not intended for a specific application purpose.

## Overall Dimensions





# OEM



## Description

The A300/BLDC is an extremely versatile pump, driven by a long-lasting, brushless DC motor rated for continuous duty. Pump flow rates can be regulated by input voltage, or with our OEM controller, which provides 20:1 speed control, directional, and start/stop functions. Combined with the ability to accept multiple tube sizes, this pump has a broad range of flow rate capabilities.

A300 pumps are configurable to utilize 1.6mm (1/16") or high-performance 2.4mm (3/32") wall tubing giving them the ability to perform in a wide range of applications.

## Features & Benefits

- Flow rates of 1500 to 5 mL/min
- Wide range of available motor speeds
- Accepts continuous tubing for clean fluid paths
- Heavy-duty steel rotor
- Friction-reducing Nylatron® rollers for longer tube life
- Optional mounting plate for ease of installation
- NSF/ANSI 29 rated models available
- Up to 25 psi working pressure
- Made in USA

## Specifications

Pump Series	A300
Tubing Wall Utilized	A301 — 1.6mm (1/16") A302 — 2.4mm (3/32")
Max. Tube Bore	A301 — 7.9mm (5/16") A302 — 6.4mm (1/4")
Motor Type	Brushless DC
Operating Voltage	8V to 26V
Max Current	1.5A
Duty Cycle	Continuous
Max. Outlet Pressure	25 psi

## Materials of Construction

Pump Head	Polycarbonate
Roller Material	Nylatron
Rotor Material	CRS - Zinc plated
Ball Bearings	SS Shielded

## Flow Rates by Model & Tube Bore (mL/min)

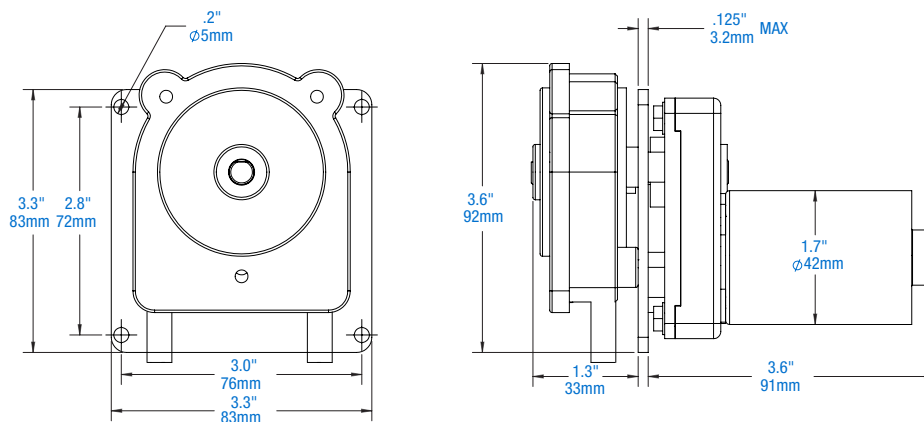
Motor Options		Tube Bore			
Motor #	Input Voltage	7.9mm (5/16")*	6.4mm (1/4")	4.8mm (3/16")	3.2mm (1/8")
B389B	24V	1579	1112	678	322
	8V	521	367	224	106
B127B	24V	558	393	240	114
	8V	184	130	79	38
B079B	24V	339	239	146	69
	8V	112	79	48	23
B017B	24V	72	50	31	15
	8V	24	17	10	5

\* Limited to tubing with 1.6mm wall thickness.

Minimum flow rates are approximately 5% of rated voltage flows when regulated with ANKO OEM Brushless Controller.

Flow rates are for guidance purposes only and are based upon pumping ambient temperature (22°C/72°F) water, using firm tubing, at zero pressure and lift. Rates may increase/decrease based upon numerous factors including motor variances, tubing characteristics, fluid viscosity, lift height, pressure and number of rollers. Anko reserves the right to make changes at any time without prior notice. The information provided is not intended for a specific application purpose.

## Overall Dimensions



# OEM



### Description

The A300/VAC fixed-speed pump is driven by a durable, AC shaded-pole motor rated for continuous duty. The pump accepts multiple tube sizes to assist in flow rate regulation and is configurable to utilize 1.6mm (1/16") or high-performance 2.4mm (3/32") wall tubing.

### Features & Benefits

- Flow rates of 350 to 13 mL/min
- Accepts continuous tubing for clean fluid paths
- Heavy-duty steel rotor
- Friction-reducing Nylatron® rollers for longer tube life
- Optional mounting plate for ease of installation
- NSF/ANSI 29 rated models available
- Up to 25 psi working pressure
- Made in USA

### Specifications

Pump Series	A300
Tubing Wall Utilized	A301 — 1.6mm (1/16") A302 — 2.4mm (3/32")
Max. Tube Bore	6.4mm (1/4")
Motor Type	AC Shaded-Pole
Operating Voltage	115V   230V 50/60Hz
Max Current	.75   1.5 LRA
Duty Cycle	Continuous
Max. Outlet Pressure	25 psi

### Materials of Construction

Pump Head	Polycarbonate
Roller Material	Nylatron
Rotor Material	CRS - Zinc plated
Ball Bearings	SS Sealed

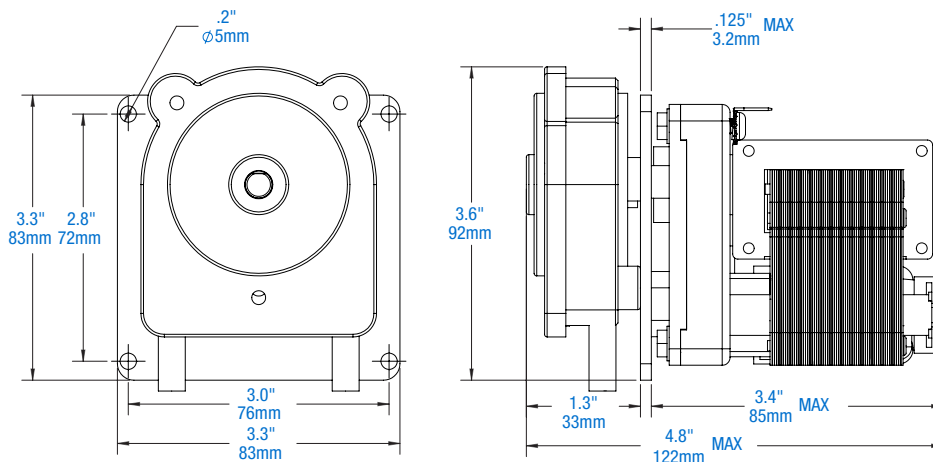
### Flow Rates by Motor & Tube Bore (mL/min)

Motor Number		Tube Bore		
115V	230V	6.4mm (1/4")	4.8mm (3/16")	3.2mm (1/8")
A108A	A108B	359	219	104
A058A	A058B	183	111	53
A014A	A014B	44	27	13

For 50Hz applications, multiply stated flow rates by .83

Flow rates are for guidance purposes only and are based upon pumping ambient temperature (22°C/72°F) water, using firm tubing, at zero pressure and lift. Rates may increase/decrease based upon numerous factors including motor variances, tubing characteristics, fluid viscosity, lift height, pressure and number of rollers. Anko reserves the right to make changes at any time without prior notice. The information provided is not intended for a specific application purpose.

### Overall Dimensions



# OEM

## Description

The L400/VDC is a laboratory-grade pump, driven by a powerful, brushed DC motor rated for continuous duty. Pump flow rates can be regulated by input voltage, or with our OEM controller, which provides 10:1 speed control, directional, and start/stop functions. Combined with the ability to accept six tube sizes, this pump has an incredible range of flow rate capabilities.

L400 pumps are configurable to utilize 1.6mm (1/16") or high-performance 2.4mm (3/32") wall tubing giving them the ability to perform in a wide range of applications.

## Features & Benefits

- Flow rates of 2000 to .3 mL/min
- Flip-of-the-lid allows for fast and easy tubing changes
- Transparent cover provides visibility of rotor movement
- Automatic tubing retention
- Accepts continuous tubing for clean fluid paths
- Side and bottom tubing entry ports for versatility
- Heavy-duty stainless-steel rotor
- Friction-reducing Nylatron® or precision stainless-steel roller option
- Available in 3, 4 and 6-roller configurations.
- Up to 25 psi working pressure
- Made in USA



### Specifications

Pump Series	L400
Tubing Wall Utilized	L401 — 1.6mm (1/16") L402 — 2.4mm (3/32")
Max. Tube Bore	L401 — 7.9mm (5/16") L402 — 6.4mm (1/4")
Motor Type	Brushed DC
Operating Voltage	8V to 30V
Max Current	2.0A
Duty Cycle	Continuous
Max. Outlet Pressure	25 psi

### Materials of Construction

Pump Head	Polycarbonate, IXEF
Roller Material	Nylatron or SS
Rotor Material	SS
Ball Bearings	SS Sealed

### Flow Rates by Model & Tube Bore (mL/min)

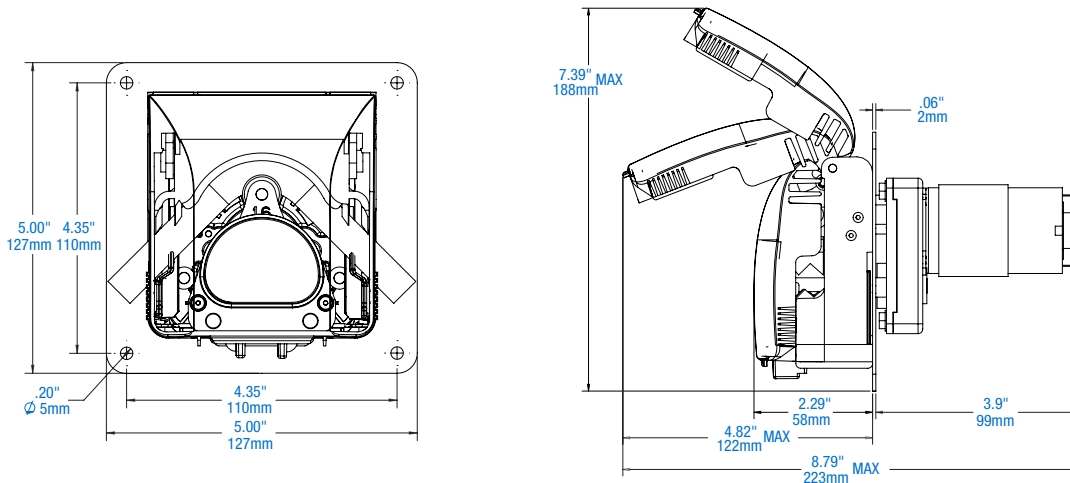
Motor Options		Tube Bore					
Motor #	Input Voltage	7.9mm (5/16")*	6.4mm (1/4")	4.8mm (3/16")	3.2mm (1/8")	1.6mm (1/16")	.8mm (1/32")
D378B	24V	1964	1383	844	401	98	22
	8V	648	456	278	132	32	7
D124B	24V	653	460	280	133	33	7
	8V	215	152	93	44	11	2
D077B	24V	410	289	176	84	21	5
	8V	135	95	58	28	7	1.5
D016B	24V	86	61	37	18	4	0.9
	8V	28	20	12	6	1.4	0.3

\* Limited to tubing with 1.6mm wall thickness.

Minimum flow rates are approximately 10% of rated voltage flows when regulated with ANKO OEM Brushed Controller.

Flow rates are for guidance purposes only and are based upon pumping ambient temperature (22°C/72°F) water, using firm tubing, at zero pressure and lift. Rates may increase/decrease based upon numerous factors including motor variances, tubing characteristics, fluid viscosity, lift height, pressure and number of rollers. Anko reserves the right to make changes at any time without prior notice. The information provided is not intended for a specific application purpose.

## Overall Dimensions



# OEM

## Description

The L400/BLDC is a laboratory-grade pump, driven by a long-lasting, brushless DC motor rated for continuous duty. Pump flow rates can be regulated by input voltage, or with our OEM controller, which provides 20:1 speed control, directional, and start/stop functions. Combined with the ability to accept six tube sizes, this pump has an incredible range of flow rate capabilities.

L400 pumps are configurable to utilize 1.6mm (1/16") or high-performance 2.4mm (3/32") wall tubing giving them the ability to perform in a wide range of applications.

## Features & Benefits

- Flow rates of 2000 to .3 mL/min
- Flip-of-the-lid allows for fast and easy tubing changes
- Transparent cover provides visibility of rotor movement
- Automatic tubing retention
- Accepts continuous tubing for clean fluid paths
- Side and bottom tubing entry ports for versatility
- Heavy-duty stainless-steel rotor
- Friction-reducing Nylatron® or precision stainless steel rollers
- Available in 3, 4 and 6-roller configurations.
- Up to 25 psi working pressure
- Made in USA



Specifications	
Pump Series	L400
Tubing Wall Utilized	L401 — 1.6mm (1/16") L402 — 2.4mm (3/32")
Max. Tube Bore	L401 — 7.9mm (5/16") L402 — 6.4mm (1/4")
Motor Type	Brushless DC
Operating Voltage	8V to 30V
Max Current	2.0A
Duty Cycle	Continuous
Max. Outlet Pressure	25 psi
Materials of Construction	
Pump Head	Polycarbonate, IXEF
Roller Material	Nylatron or SS
Rotor Material	SS
Ball Bearings	SS Sealed

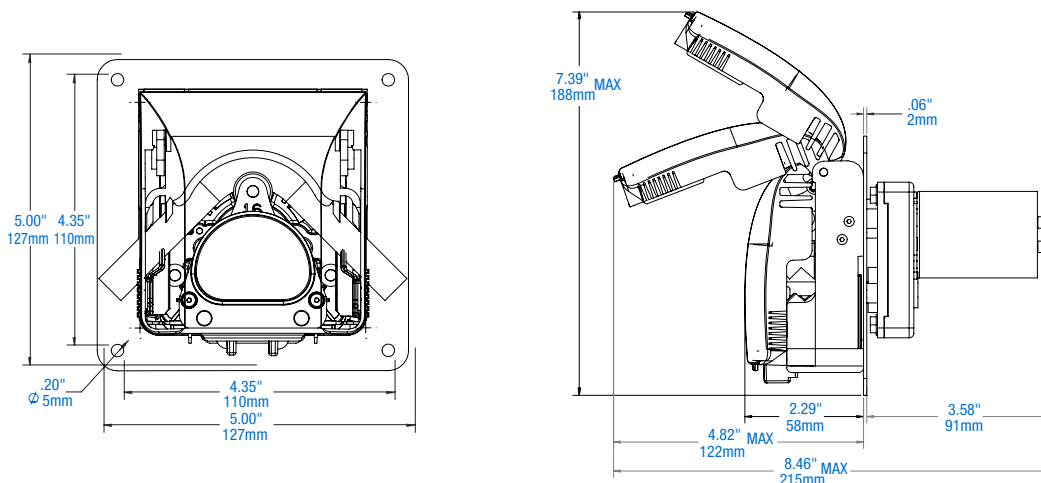
Flow Rates by Model & Tube Bore (mL/min)							
Motor Options		Tube Bore					
Motor #	Input Voltage	7.9mm (5/16")*	6.4mm (1/4")	4.8mm (3/16")	3.2mm (1/8")	1.6mm (1/16")	.8mm (1/32")
B389B	24V	2024	1425	869	413	101	22
	8V	668	470	287	136	33	7
B127B	24V	675	475	290	138	34	7
	8V	223	157	96	45	11	2
B079B	24V	421	296	181	86	21	5
	8V	139	98	60	28	7	2
B017B	24V	92	65	39	19	5	1
	8V	30	21	13	6	2	0.3

\* Limited to tubing with 1.6mm wall thickness.

Minimum flow rates are approximately 5% of rated voltage flows when regulated with ANKO OEM Brushless Controller.

Flow rates are for guidance purposes only and are based upon pumping ambient temperature (22°C/72°F) water, using firm tubing, at zero pressure and lift. Rates may increase/decrease based upon numerous factors including motor variances, tubing characteristics, fluid viscosity, lift height, pressure and number of rollers. Anko reserves the right to make changes at any time without prior notice. The information provided is not intended for a specific application purpose.

## Overall Dimensions





# OEM

## Description

The A600/VDC is a high-volume pump, driven by a powerful, brushed DC motor rated for continuous duty. Pump flow rates can be regulated by input voltage, or with OEM controller, providing 10:1 speed control, directional, and start/stop functions.

A600 pumps are configured to utilize large bore 9.5mm (3/8") tubing with heavy-duty 3.2mm (1/8") wall thickness making them ideal for pumping viscous or abrasive fluids.



## Features & Benefits

- Flow rates from 1700 to 75 mL/min
- Accepts continuous tubing for clean fluid paths
- Viscosity rating up to 3000 centipoise
- Includes panel mounting plate for ease of installation
- Up to 15 psi working pressure
- Made in USA

### Specifications

Model A603	A600
Tube Wall Utilized	3.2mm (1/8")
Max. Tube Bore	9.5mm (3/8")
Motor Type	Brushed DC
Operating Voltage	8V to 30V
Max Current	2.0A
Duty Cycle	Continuous
Max. Outlet Pressure	15 psi

### Materials of Construction

Pump Head	Polycarbonate
Roller Material	Acetal
Rotor Material	Polycarbonate
Ball Bearings	SS Sealed

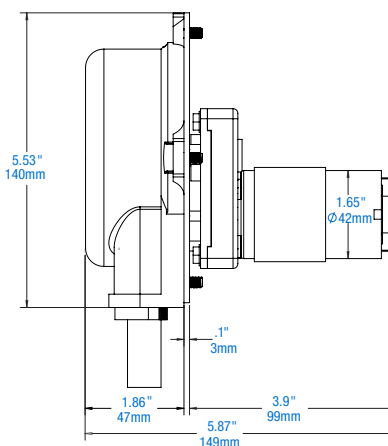
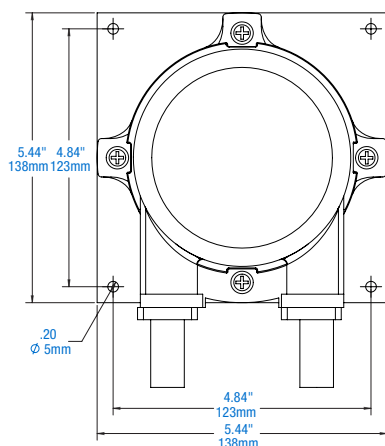
### Pump Flow Rates

Motor #	Input Voltage	mL/min	gal/day
D124B	24V	1680	636
	8V	554	210
D035B	24V	490	185
	8V	162	61
D016B	24V	224	85
	8V	74	28

Minimum flow rates are approximately 10% of rated voltage flows when regulated with ANKO OEM Brushed Controller.

Flow rates are for guidance purposes only and are based upon pumping ambient temperature (22°C/72°F) water, using firm tubing, at zero pressure and lift. Rates may increase/decrease based upon numerous factors including motor variances, tubing characteristics, fluid viscosity, lift height, pressure and number of rollers. Anko reserves the right to make changes at any time without prior notice. The information provided is not intended for a specific application purpose.

### Overall Dimensions



# OEM



## Description

The A600/BLDC is a high-volume pump, driven by a long-lasting, brushless DC motor rated for continuous duty. Pump flow rates can be regulated by input voltage, or with OEM Brushed Controller, providing 20:1 speed control, directional, and start/stop functions.

A600 pumps are configured to utilize large bore 9.5mm (3/8") tubing with heavy-duty 3.2mm (1/8") wall thickness, making them ideal for pumping viscous or abrasive fluids.

## Features & Benefits

- Flow rates up to 1700 to 75 mL/min
- Accepts continuous tubing for clean fluid paths
- Viscosity rating up to 3000 centipoise
- Includes panel mounting plate for ease of installation
- Up to 15 psi working pressure
- Made in USA

### Specifications

Model A603	A600
Tube Wall Utilized	3.2mm (1/8")
Max. Tube Bore	9.5mm (3/8")
Motor Type	Brushless DC
Operating Voltage	8V to 26V
Max Current	2.0A
Duty Cycle	Continuous
Max. Outlet Pressure	15 psi

### Materials of Construction

Pump Head	Polycarbonate
Roller Material	Acetal
Rotor Material	Polycarbonate
Ball Bearings	SS Sealed

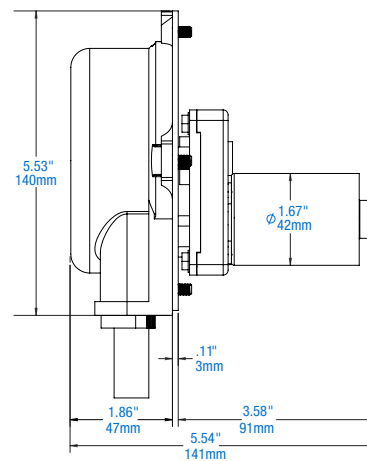
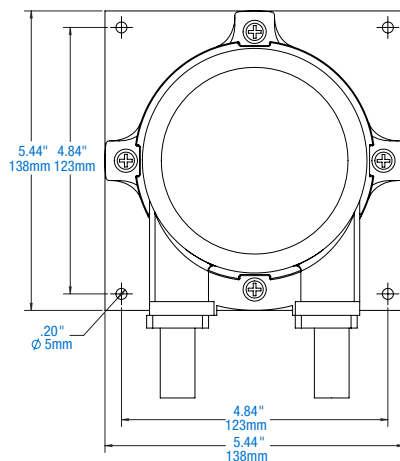
### Pump Flow Rates

Motor #	Input Voltage	mL/min	gal/day
B127B	24V	1736	657
	8V	573	217
B036B	24V	504	191
	8V	166	63
B017B	24V	238	90
	8V	79	30

Minimum flow rates are approximately 5% of rated voltage flows when regulated with ANKO OEM Brushless Controller.

Flow rates are for guidance purposes only and are based upon pumping ambient temperature (22°C/72°F) water, using firm tubing, at zero pressure and lift. Rates may increase/decrease based upon numerous factors including motor variances, tubing characteristics, fluid viscosity, lift height, pressure and number of rollers. Anko reserves the right to make changes at any time without prior notice. The information provided is not intended for a specific application purpose.

## Overall Dimensions



Find out more at [ankoproducts.com](http://ankoproducts.com)

800-446-2656  
tel.941-749-1960  
Fax: 941-748-2307

6012 33rd St. E. ~ Bradenton, Florida USA 34203

©2019 Anko Products Inc. All rights reserved. All trademarks are the property of Anko Products Inc. and its subsidiaries. Specifications, terms and pricing are subject to change. Not all products are available in all countries. Please consult your local sales representative for details. **DS-700 0419**

