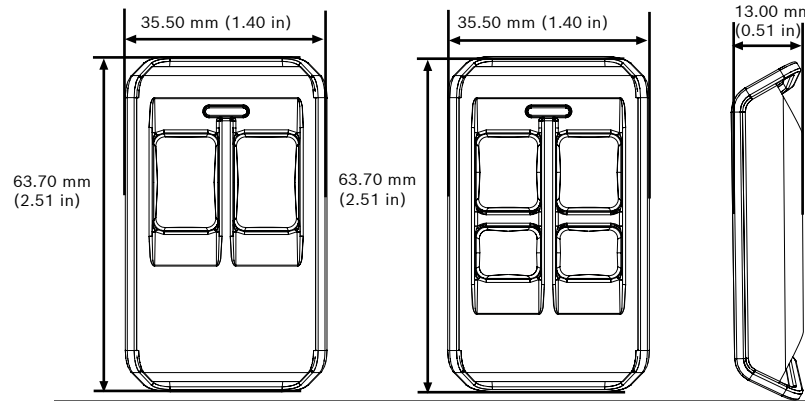


RADION keyfob

RFKF-FB/RFKF-FBS/RFKF-FB-A/RFKF-FBS-A
RFKF-TB/RFKF-TBS/RFKF-TB-A/RFKF-TBS-A



Installation Manual



Panasonic CR2032 Lithium 3 VDC
Duracell DL2032

433.42 MHz
10 mW maximum

0 - 93% Non-condensing humidity

P/N: F.01U.261.834 - BB10
P/N: F.01U.261.835 - RFRC-OPT
P/N: F.01U.304.662 - RADION TX

Functional range: -10°C to +49°C
(+14°F to +120°F)
EN 50130-5 Class II only: -10°C to +40°C (+14°F to +104°F)

UL1023: Standard for Household Burglar Alarm System Units

Classified to ANSI/SIA CP01-2010 as it pertains to B Series and GV4 Series control panels. See respective control panel documentation for further information.

FCC, Part 15

Industry Canada (IC)



WARNING!
Ensure that the coin cell is kept out of the reach of children



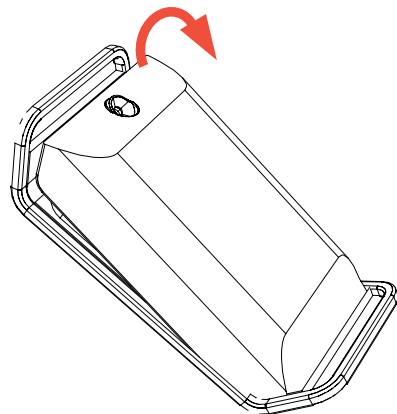
Coin cells are dangerous and must never be swallowed or inserted into any other part of the body. If you suspect that someone has swallowed a coin cell or that a coin cell has entered the body in another way, seek medical attention immediately. Swallowing coin cells can result in severe internal burns and death within 2 hours.



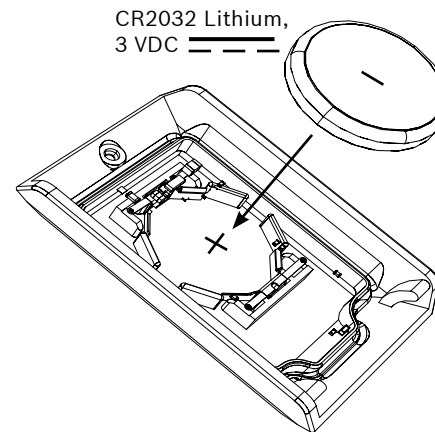
ANATEL

Brazil	ANATEL		Este equipamento opera em caráter secundário, isto é, não tem direito a proteção contra interferência prejudicial, mesmo de estações do mesmo tipo, e não pode causar interferência a sistemas operando em caráter primário
--------	--------	--	---

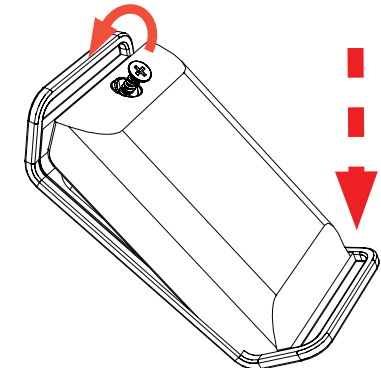
1



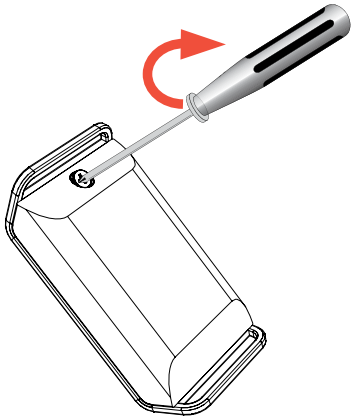
2



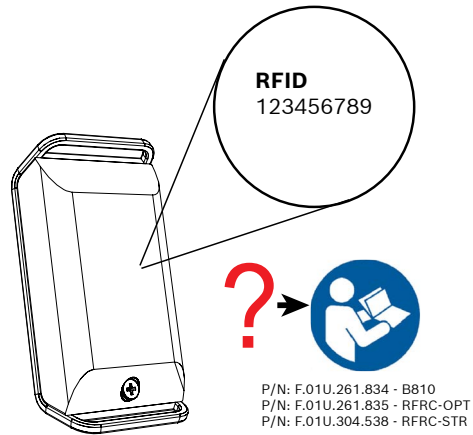
3



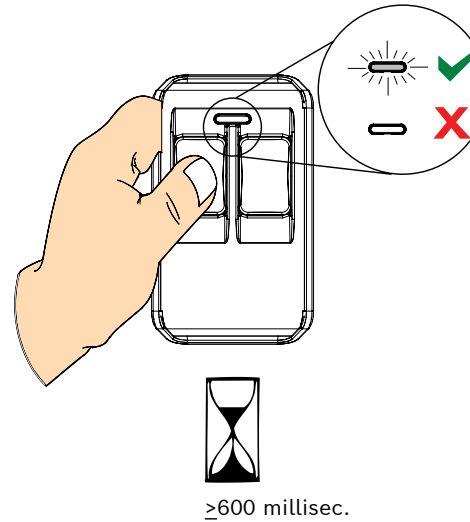
4



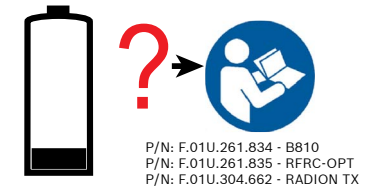
5



6



7



Copyright

This document is the intellectual property of Bosch Security Systems B.V. and is protected by copyright. All rights reserved.

Trademarks

All hardware and software product names used in this document are likely to be registered trademarks and must be treated accordingly.

Determine Bosch Security Systems B.V. Product Manufacturing Dates

Use the serial number located on the product label and refer to the Bosch Security Systems B.V. web site at: <http://www.boschsecurity.com/datecodes/>.

