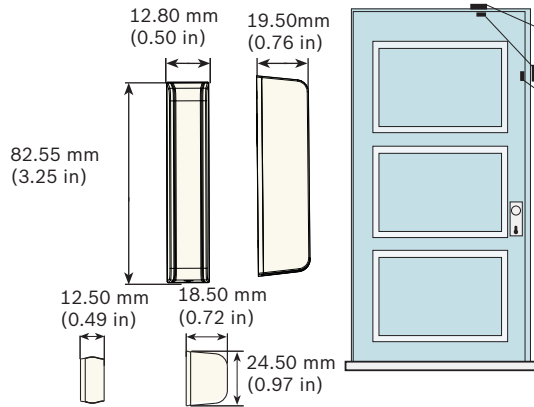


**RADION contact SM**  
RFDW-SM/RFDW-SM-A



Installation Guide



P/N: F.01U.261.834 - B810  
P/N: F.01U.261.835 - RFRC-OPT

**UL - only models RFDW-SM-A are evaluated by UL**  
UL634: Standard for Connectors and Switches for use with Burglar-Alarm Systems  
UL1023: Household Burglar-Alarm System Units

FCC, Part 15

**Bosch YouTube Channel:**



**EN**  
EN 50131-2-6  
EN 50131-5-3  
Grade 2  
Environment Class II

**INCERT**  
B-509-0072  
RFDW-SM only

**VdS**  
H116003  
RFDW-SM only

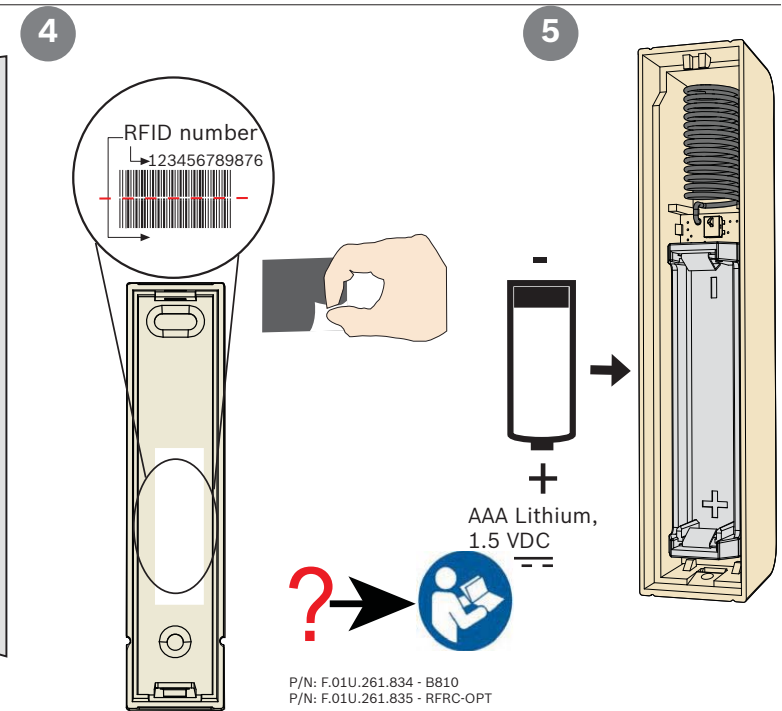
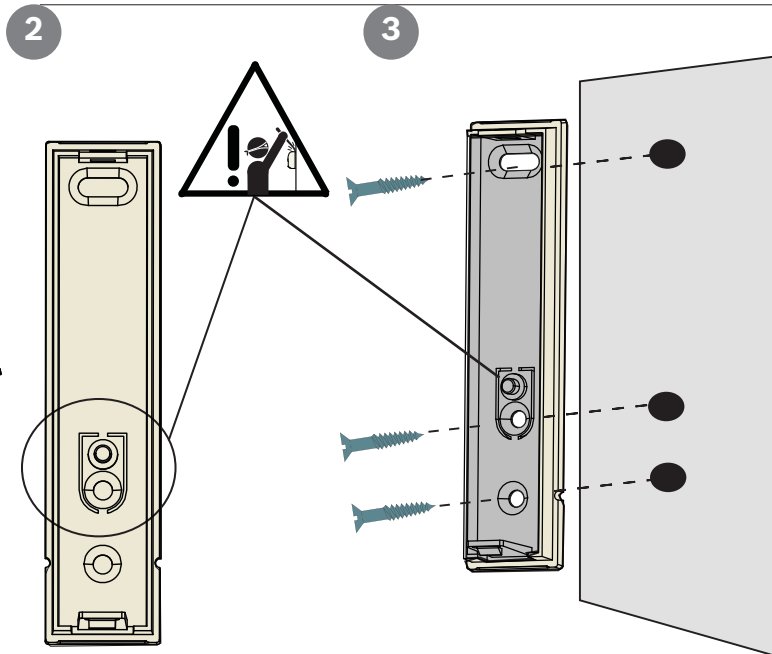
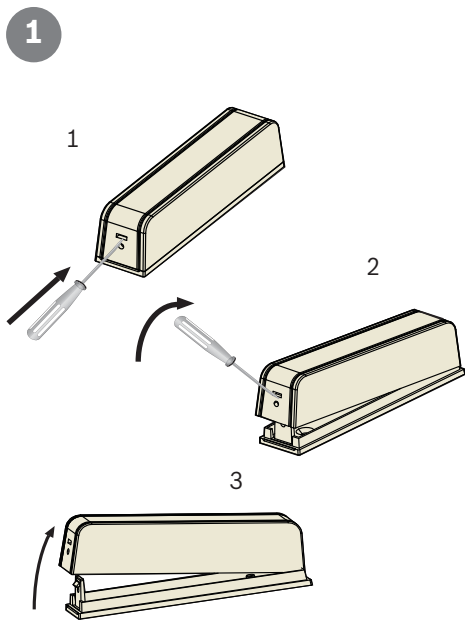
Energizer L92 AAA Lithium 1.5 VDC

433.42 MHz

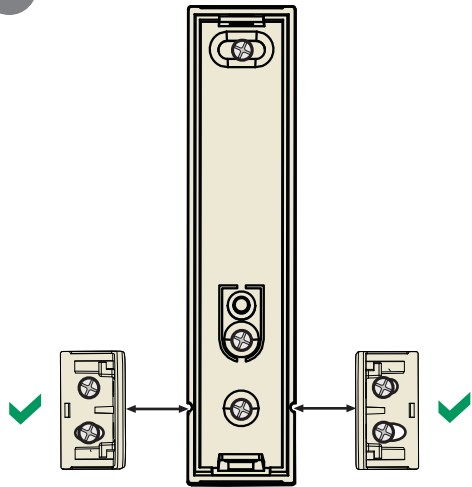
0 - 93% Non-condensing humidity

P/N: F.01U.261.834 - B810  
P/N: F.01U.261.835 - RFRC-OPT

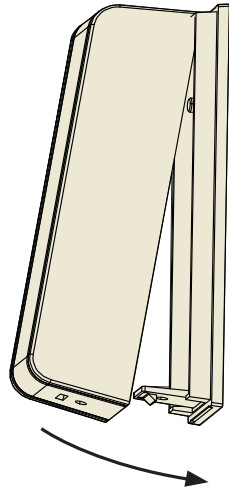
Functional range: -10°C to +49°C (+14°F to +120°F)  
UL only: 0°C to +49°C (+32°F to +120°F)  
EN 50130-5 Class II only: -10°C to +40°C (+14°F to +104°F)



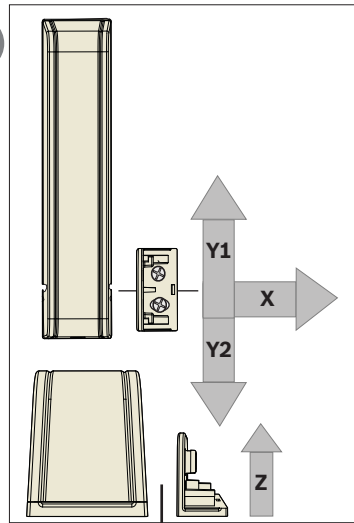
6



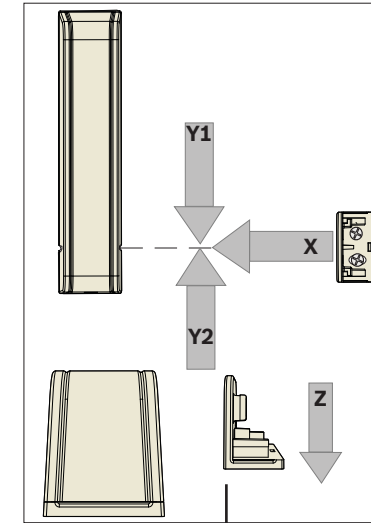
7



8



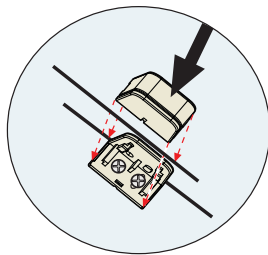
	X	20 mm (0.78 in)
	Y1	12 mm (0.47 in)
	Y2	17.3 mm (0.68 in)
	Z	19 mm (0.74 in)
	X	18 mm (0.70 in)
	Y1	12 mm (0.47 in)
	Y2	20.5 mm (0.80 in)
Z	18 mm (0.70 in)	



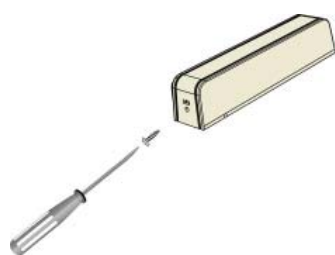
	X	19 mm (0.74 in)
	Y1	11 mm (0.43 in)
	Y2	17.4 mm (0.69 in)
	Z	18 mm (0.70 in)
	X	17 mm (0.66 in)
	Y1	11 mm (0.43 in)
	Y2	20 mm (0.78 in)
Z	17 mm (0.66 in)	



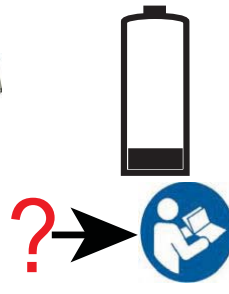
9



10



11



P/N: F.01U.261.834 - B810  
 P/N: F.01U.261.835 - RFRC-OPT

**English**

Hereby, Bosch Security Systems, declares that this intrusion detector is in compliance with the essential requirements and other relevant provisions of Directive 1999/5/EC.

**Finnish**

Bosch Security Systems vakuuttaa täten että rikosilmoitin tyyppinen laite on direktiivin 1999/5/EY oleellisten vaatimusten ja sitä koskevien direktiivin muiden ehtojen mukainen.

**Dutch**

Hierbij verklaart Bosch Security Systems dat het toestel inbraakdetector in overeenstemming is met de essentiële eisen en de andere relevante bepalingen van richtlijn 1999/5/EG. Bij deze verklaart Bosch Security Systems dat deze inbraakdetector voldoet aan de essentiële eisen en aan de overige relevante bepalingen van Richtlijn 1999/5/EC.

**French**

Par la présente Bosch Security Systems déclare que l'appareil détecteur d'intrusion est conforme aux exigences essentielles et aux autres dispositions pertinentes de la directive 1999/5/CE. Par la présente, Bosch Security Systems déclare que ce détecteur d'intrusion est conforme aux exigences essentielles et aux autres dispositions de la directive 1999/5/CE qui lui sont applicables.

**Swedish**

Härmed intygar Bosch Säkerhetssystem att denna inbrottsdetektor står i överensstämmelse med de väsentliga egenskapskrav och övriga relevanta bestämmelser som framgår av direktiv 1999/5/EG.

**Danish**

Undertegnede Bosch sikkerhedssystemer erklærer herved, at følgende udstyr Indbrudsdetektor overholder de væsentlige krav og øvrige relevante krav i direktiv 1999/5/EF.

**German**

Hiermit erkläre Bosch Sicherheitssysteme, dass sich dieser/diese/dieses Einbruchmelder in Übereinstimmung mit den grundlegenden Anforderungen und den anderen relevanten Vorschriften der Richtlinie 1999/5/EG befindet". (BMWi). Hiermit erkläre Bosch Sicherheitssysteme die Übereinstimmung des Gerätes Einbruchmelder mit den grundlegenden Anforderungen und den anderen relevanten Festlegungen der Richtlinie 1999/5/EG. (Wien).

**Greek**

ΜΕ ΤΗΝ ΠΑΡΟΥΣΙΑ Συστήματα ασφαλείας Bosch ΔΗΛΩΝΕΙ ΟΤΙ Ανιχνευτής εισβολής ΣΥΜΜΟΡΦΩΝΕΤΑΙ ΠΡΟΣ ΤΙΣ ΟΥΣΙΩΔΕΙΣ ΑΠΑΙΤΗΣΕΙΣ ΚΑΙ ΤΙΣ ΛΟΙΠΕΣ ΣΧΕΤΙΚΕΣ ΔΙΑΤΑΞΕΙΣ ΤΗΣ ΟΔΗΓΙΑΣ 1999/5/ΕΚ.

**Italian**

Con la presente Bosch Security Systems dichiara che questo rilevatore antintrusione è conforme ai requisiti essenziali ed alle altre disposizioni pertinenti stabilite dalla direttiva 1999/5/CE.

**Spanish**

Por medio de la presente Bosch Security Systems declara que el detector de intrusión cumple con los requisitos esenciales y cualesquiera otras disposiciones aplicables o exigibles de la Directiva 1999/5/CE.

**Portuguese**

Bosch Security Systems declara que este detector de intrusão está conforme com os requisitos essenciais e outras disposições da Directiva 1999/5/CE.

**Copyright**

This document is the intellectual property of Bosch Security Systems, Inc. and is protected by copyright. All rights reserved.

**Trademarks**

All hardware and software product names used in this document are likely to be registered trademarks and must be treated accordingly.

**Determine Bosch Security Systems, Inc.**

**Product Manufacturing Dates**

Use the serial number located on the product label and refer to the Bosch Security Systems, Inc web site at: <http://www.boschsecurity.com/datecodes/>.



P/N: F.01U.261.834 - B810  
 P/N: F.01U.261.835 - RFRC-OPT