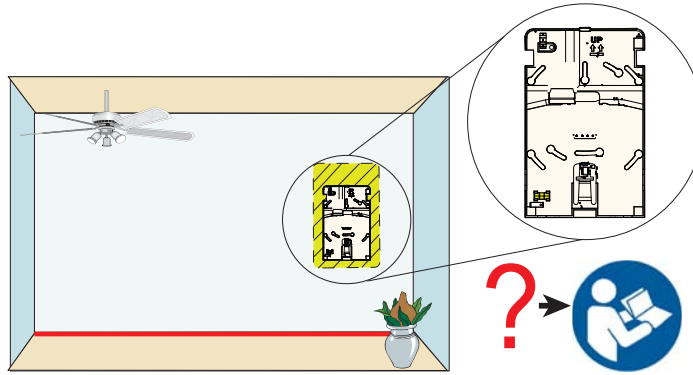


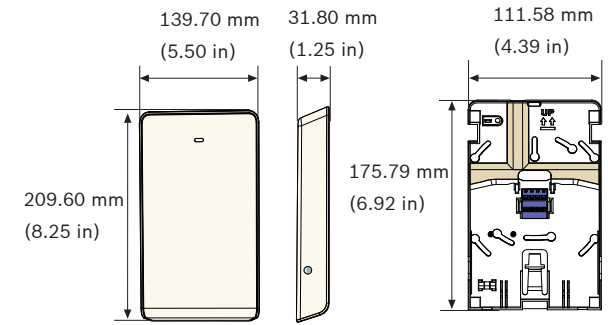
**RADION receiver SD**  
B810



Installation Guide



P/N: F.01U.261.834 - B810



- UL**  
 UL1023: Standard for Household Burglar-Alarm System Units  
 UL1076: Standard for Proprietary Burglar Alarm Units and Systems  
 UL1610: Standard for Central-Station Burglar-Alarm Units  
 UL365: Standard for Police Connected Burglar Alarm Units and System  
 UL609: Standard for Local Burglar Alarm Units and Systems  
 UL636: Standard for Holdup Alarm Units and Systems  
 UL985: Standard for Household Fire Warning System Units

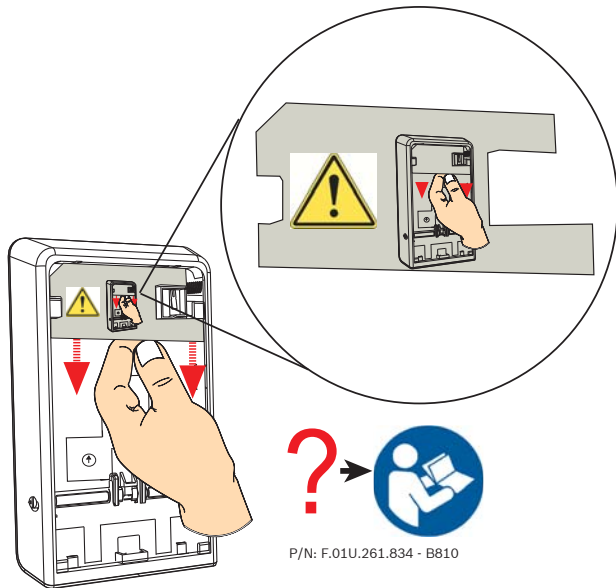
FCC, Part 15

Industry Canada (IC)

Classified to ANSI/SIA CP01-2010

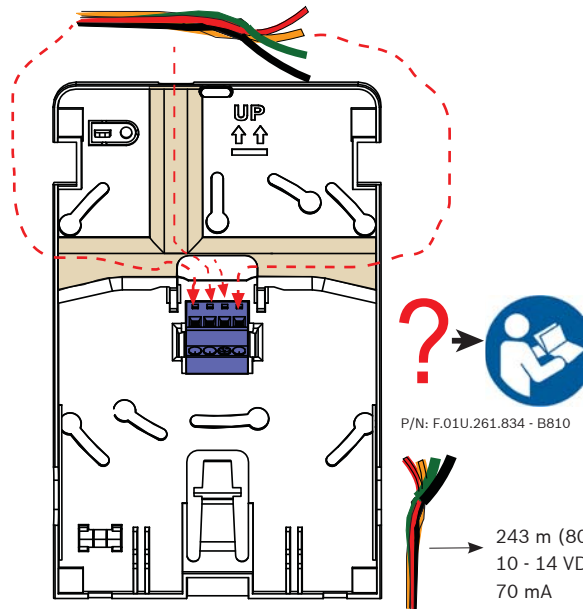
433.42 MHz  
 0°C to +49°C  
 (+32°F to +120°F)  
 0 - 93% Non-condensing humidity

1



P/N: F.01U.261.834 - B810

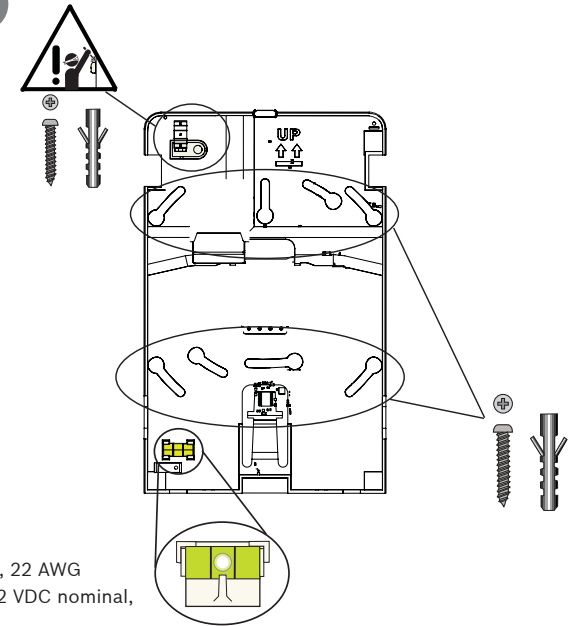
2

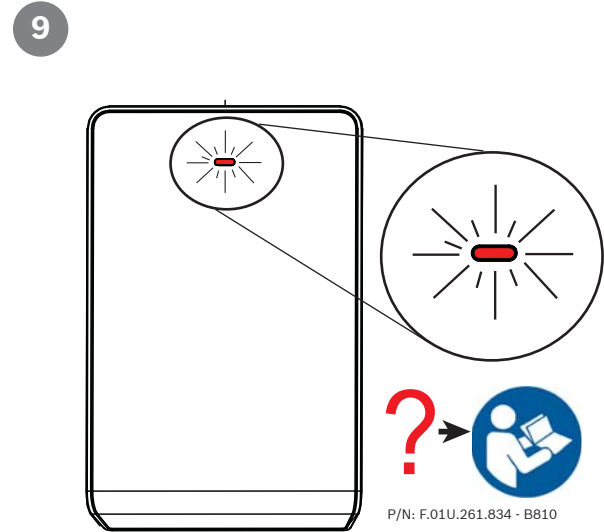
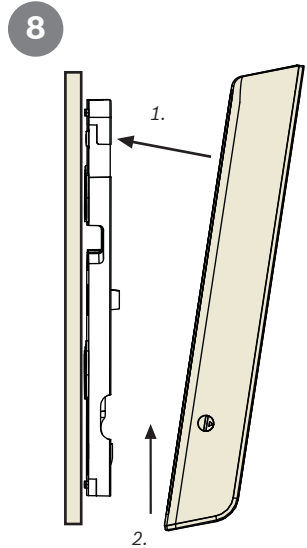
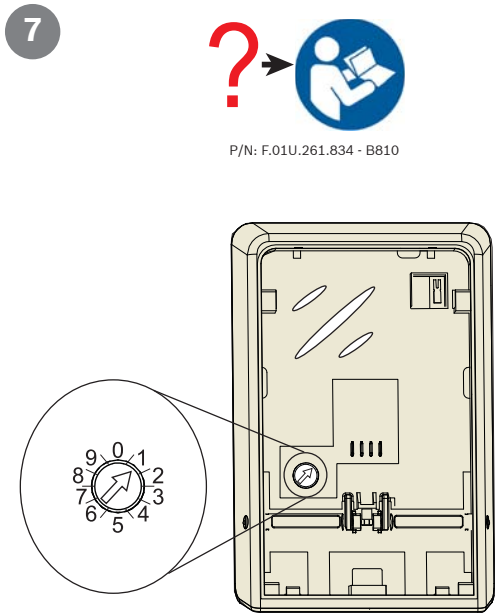
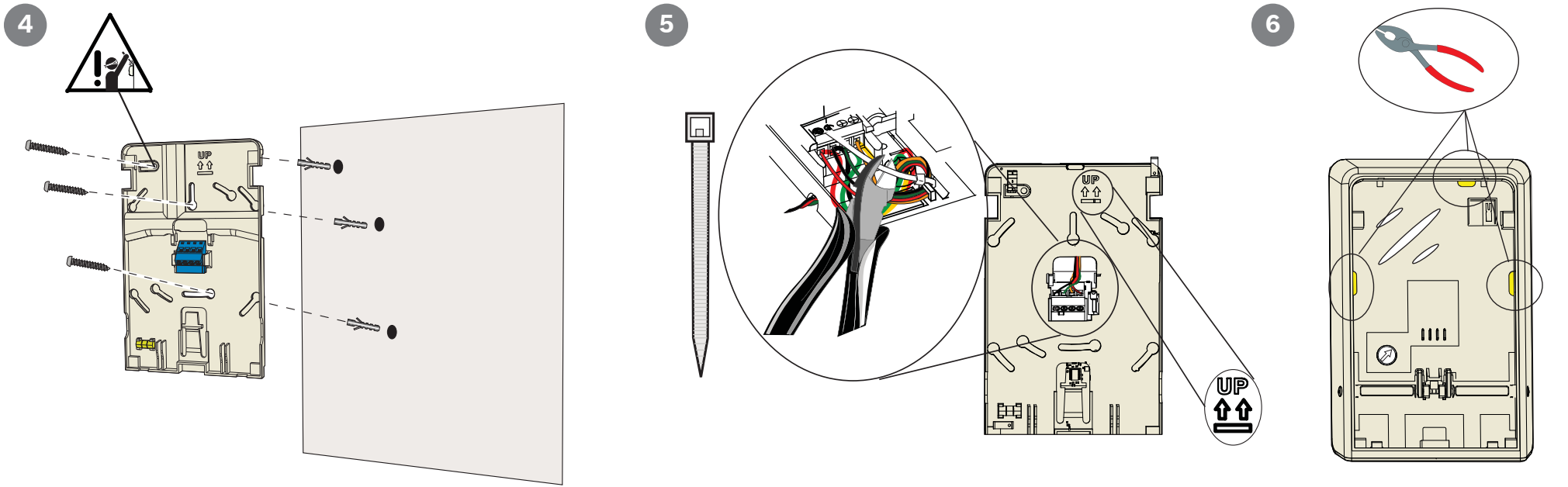


P/N: F.01U.261.834 - B810

243 m (800 ft), 22 AWG  
 10 - 14 VDC, 12 VDC nominal,  
 70 mA

3





**Copyright**  
 This document is the intellectual property of Bosch Security Systems, Inc. and is protected by copyright. All rights reserved.

**Trademarks**  
 All hardware and software product names used in this document are likely to be registered trademarks and must be treated accordingly.

**Determine Bosch Security Systems, Inc. Product Manufacturing Dates**  
 Use the serial number located on the product label and refer to the Bosch Security Systems, Inc. web site at:  
<http://www.boschsecurity.com/datecodes/>

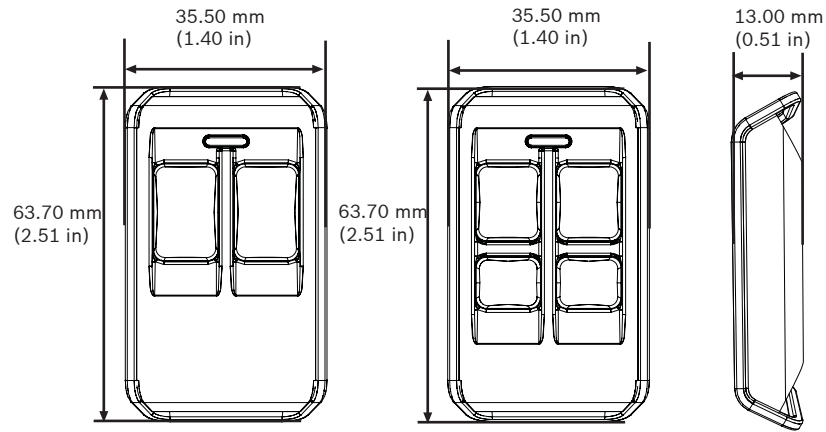


# RADION keyfob

RFKF-FB/RFKF-TB  
RFKF-FB-A/RFKF-TB-A



## Installation Guide



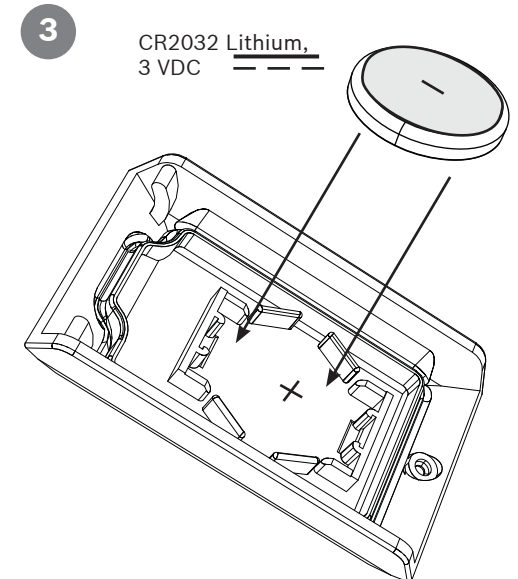
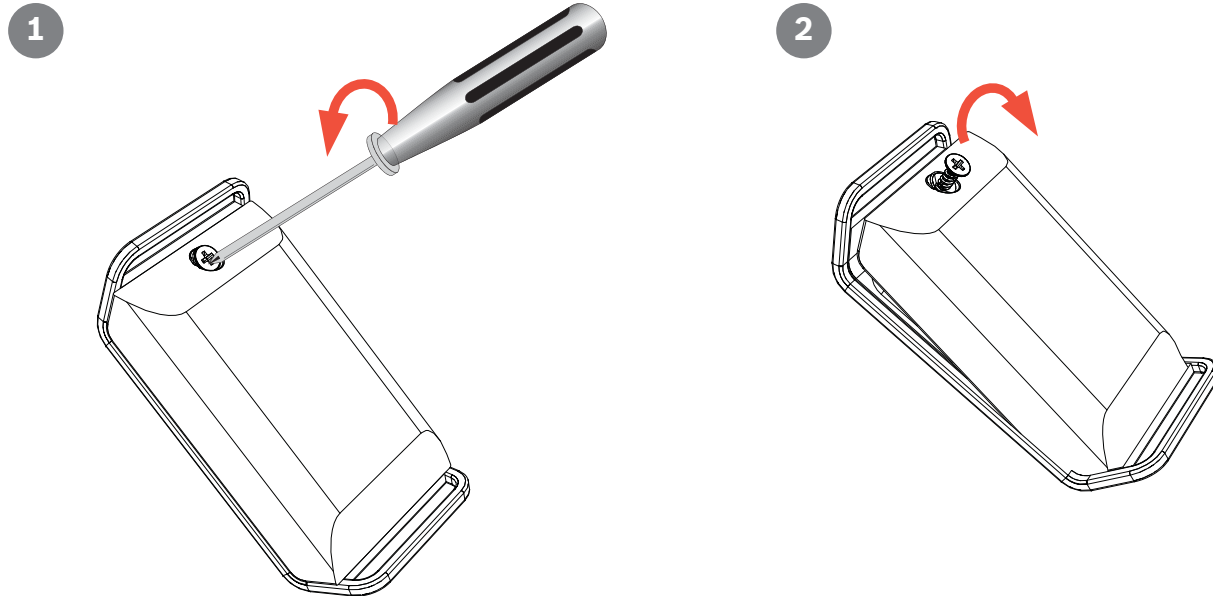
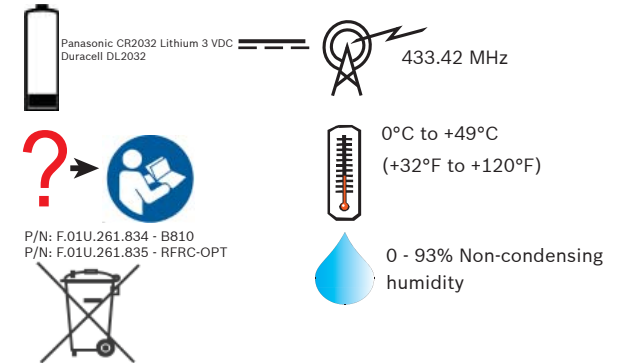
**UL - only model RFKF-TB-A is evaluated by UL. RFKF-TB-A is intended for indoor use only.**

UL1023: Standard for Household Burglar Alarm System Units

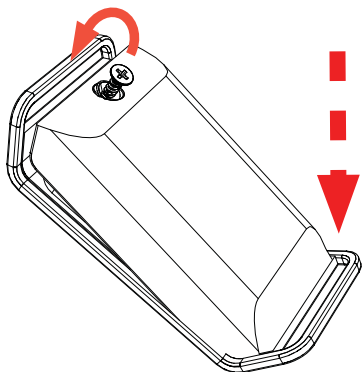
Classified to ANSI/SIA CP01-2010 as it pertains to B5512 and GV4 Series control panels. See respective control panel documentation for further information.

FCC, Part 15

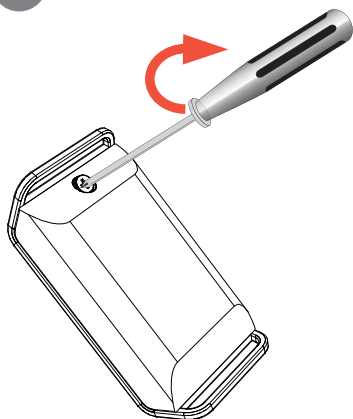
Industry Canada (IC)



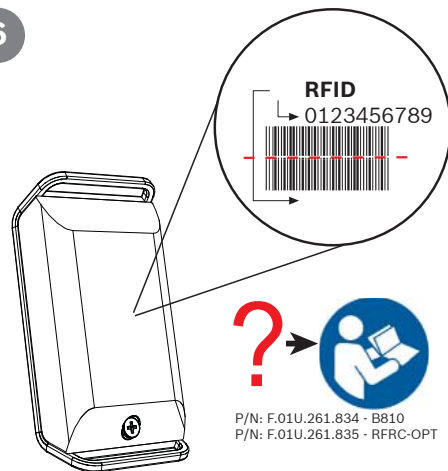
4



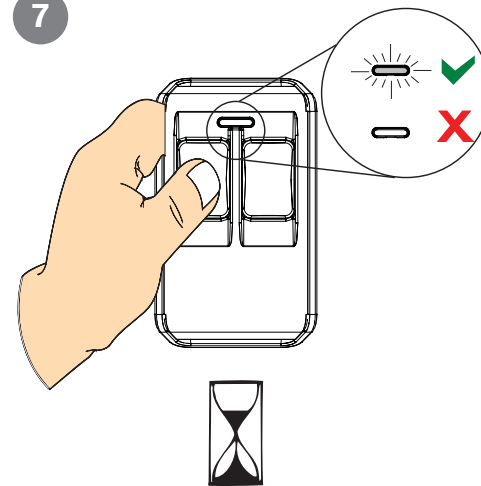
5



6

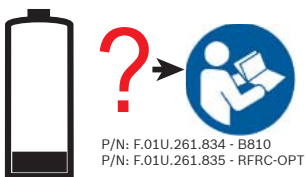


7



≥600 millisec.

8



#### English

Hereby, Bosch Security Systems, declares that this intrusion detector is in compliance with the essential requirements and other relevant provisions of Directive 1999/5/EC.

#### Finnish

Bosch Security Systems vakuuttaa täten että rikosilmoitin tyyppinen laite on direktiivin 1999/5/EY oleellisten vaatimusten ja sitä koskevien direktiivin muiden ehtojen mukainen.

#### Dutch

Hierbij verklaart Bosch Security Systems dat het toestel inbraakdetector in overeenstemming is met de essentiële eisen en de andere relevante bepalingen van richtlijn 1999/5/EG. Bij deze verklaart Bosch Security Systems dat deze inbraakdetector voldoet aan de essentiële eisen en aan de overige relevante bepalingen van Richtlijn 1999/5/EC.

#### French

Par la présente Bosch Security Systems déclare que l'appareil détecteur d'intrusion est conforme aux exigences essentielles et aux autres dispositions pertinentes de la directive 1999/5/CE. Par la présente, Bosch Security Systems déclare que ce détecteur d'intrusion est conforme aux exigences essentielles et aux autres dispositions de la directive 1999/5/CE qui lui sont applicables.

#### Swedish

Härmed intygar Bosch Säkerhetssystem att denna inbrottsdetektor står i överensstämmelse med de väsentliga egenskapskrav och övriga relevanta bestämmelser som framgår av direktiv 1999/5/EG.

#### Danish

Undertegnede Bosch sikkerhedssystemer erklærer herved, at følgende udstyr Indbruddetektor overholder de væsentlige krav og øvrige relevante krav i direktiv 1999/5/EF.

#### German

Hiermit erklärt Bosch Sicherheitssysteme, dass sich dieser/ diese/dieses Einbruchmelder in Übereinstimmung mit den grundlegenden Anforderungen und den anderen relevanten Vorschriften der Richtlinie 1999/5/EG befindet\*. (BMWV). Hiermit erklärt Bosch Sicherheitssysteme die Übereinstimmung des Gerätes Einbruchmelder mit den grundlegenden Anforderungen und den anderen relevanten Festlegungen der Richtlinie 1999/5/EG. (Wien).

#### Greek

ΜΕ ΤΗΝ ΠΑΡΟΥΣΑ Συστήματα ασφαλείας Bosch ΔΗΛΩΝΕΙ ΟΤΙ Αντικειμενικά εισβολής ΣΥΜΜΟΡΦΩΝΕΤΑΙ ΠΡΟΣ ΤΙΣ ΟΥΣΙΩΔΕΙΣ ΑΠΑΙΤΗΣΕΙΣ ΚΑΙ ΤΙΣ ΛΟΙΠΕΣ ΣΧΕΤΙΚΕΣ ΔΙΑΤΑΞΕΙΣ ΤΗΣ ΟΔΗΓΙΑΣ 1999/5/ΕΚ.

#### Italian

Con la presente Bosch Security Systems dichiara che questo rilevatore antintrusione è conforme ai requisiti essenziali ed alle altre disposizioni pertinenti stabilite dalla direttiva 1999/5/CE.

#### Spanish

Por medio de la presente Bosch Security Systems declara que el detector de intrusión cumple con los requisitos esenciales y cualesquiera otras disposiciones aplicables o exigibles de la Directiva 1999/5/CE.

#### Portuguese

Bosch Security Systems declara que este detector de intrusão está conforme com os requisitos essenciais e outras disposições da Directiva 1999/5/CE.

#### Copyright

This document is the intellectual property of Bosch Security Systems, Inc. and is protected by copyright. All rights reserved.

#### Trademarks

All hardware and software product names used in this document are likely to be registered trademarks and must be treated accordingly.

#### Determine Bosch Security Systems, Inc.

##### Product Manufacturing Dates

Use the serial number located on the product label and refer to the Bosch Security Systems, Inc web site at: <http://www.boschsecurity.com/datecodes/>.

