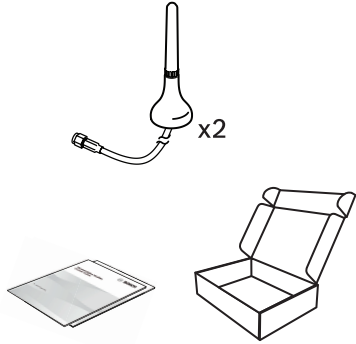
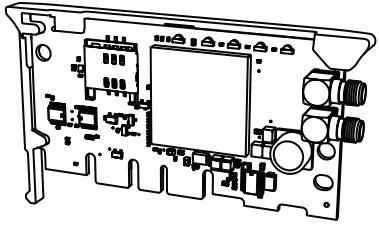




B444 media

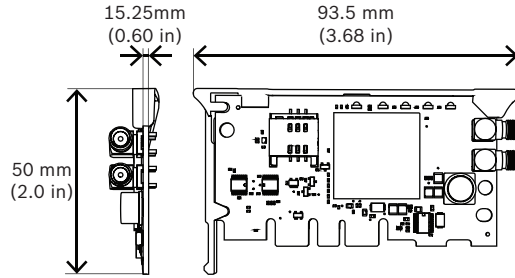
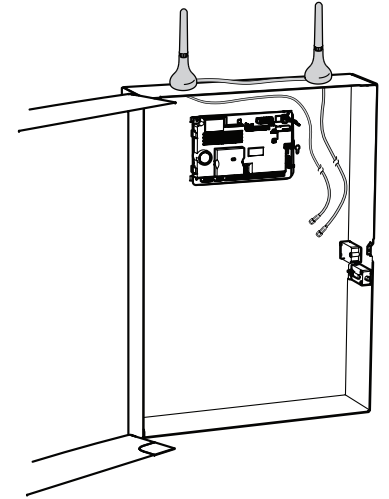
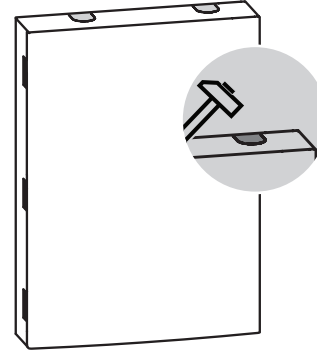


90 mm (3.5 in)

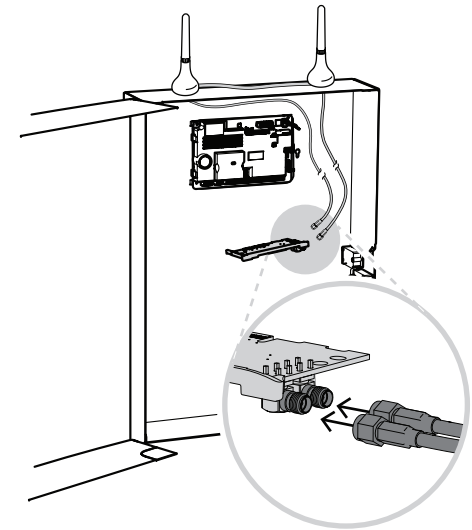
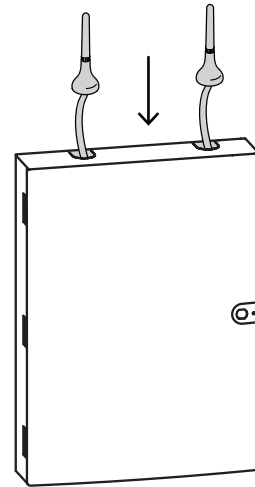
1000 mm (39.4 in)

1:3

	Non-condensing	
	93% 0%	12v
	49 °C } +120°F 0 °C } +32°F	Standby 35mA Maximum 85mA

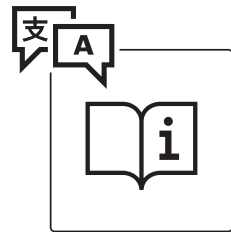
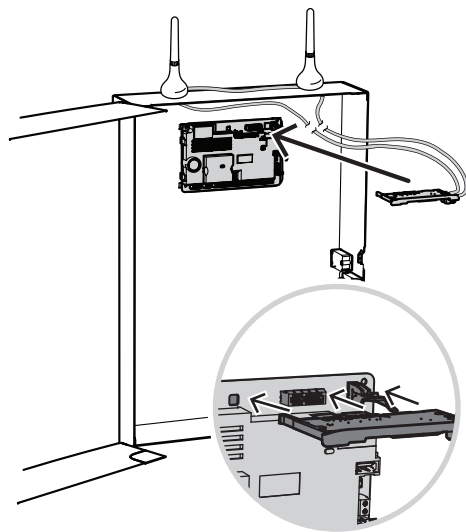
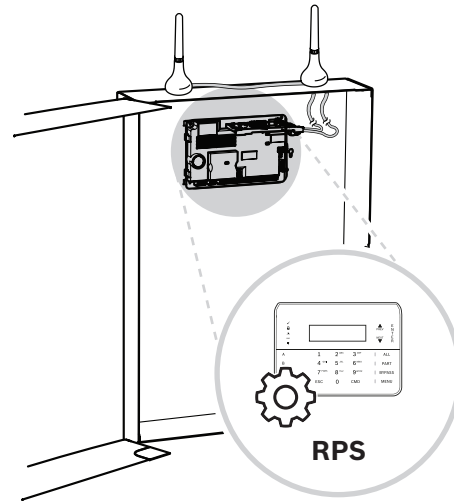
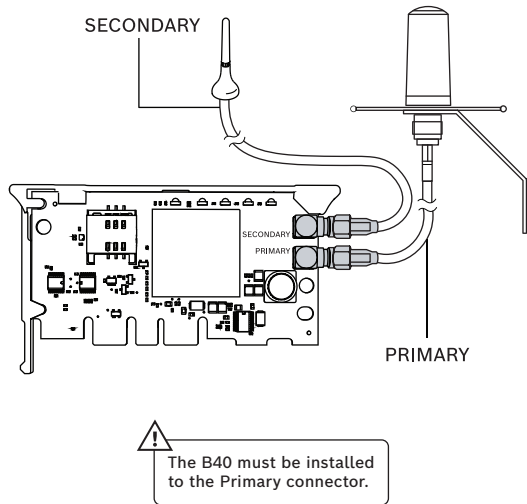


1:2



Trademarks

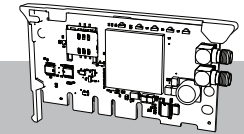
All hardware and software product names used in this document are likely to be registered trademarks and must be treated accordingly.



www.boschsecurity.com

Manufacturing dates

For product manufacturing dates, go to <http://www.boschsecurity.com/datecodes/> and refer to the serial number located on the product label.

CONETTIX Cellular Communicator
B444-G

Quick installation guide

Bosch Security Systems B.V.

Torenallee 49
5617 BA Eindhoven
Netherlands

www.boschsecurity.com

© Bosch Security Systems B.V., 2023

Building solutions for a better life.

2023.09 | 02 | F.01U.406.894 | 202309051523