

## IPC-T280H-MU 8 MP IR Fixed Network Turret Camera



### Key Features

- 1/2.5" Progressive Scan CMOS
- 3845 × 2160@15fps
- 2.8/4 mm fixed lens
- Color: 0.028 Lux @ (F2.0, AGC ON), 0 Lux with IR
- H.265, H.265+, H.264, H.264+
- Three streams
- 120dB WDR
- BLC/3D DNR/ROI/HLC
- IR range: Up to 30 m
- Built-in micro SD/SDHC/SDXC card slot, up to 128 GB
- 3-Axis adjustment
- Built-in microphone
- IP66

Camera	
Image Sensor	1/2.5" Progressive Scan CMOS
Min. Illumination	Color: 0.028 Lux @ (F2.0, AGC ON), 0 Lux with IR
Shutter Speed	1/3 s to 1/100,000 s
Slow Shutter	Yes
Day & Night	IR Cut Filter
WDR	120 dB
Angle Adjustment	Pan: 0° to 360°, tilt: 0° to 75°, rotate: 0° to 360°
Lens	
Lens Type	Fixed lens, 2.8/4 mm
Aperture	F2.0
FOV	2.8 mm: Horizontal FOV: 97° , vertical FOV: 63° , diagonal FOV: 120° 4 mm: Horizontal FOV: 78° , vertical FOV: 50° , diagonal FOV: 97°
Lens Mount	M12
Illuminator	
IR Range	Up to 30 m
Wavelength	850 nm
Video	
Max. Resolution	3840 × 2160
Main Stream	50Hz: 12.5fps (3840 × 2160), 20fps (3072 × 1728), 25fps (2560 × 1440, 1920 × 1080, 1280 × 720) 60Hz: 15fps (3840 × 2160), 20fps (3072 × 1728), 30fps (2560 × 1440, 1920 × 1080, 1280 × 720)
Sub Stream	50Hz: 25fps (640 × 480, 640 × 360, 320 × 240) 60Hz: 30fps (640 × 480, 640 × 360, 320 × 240)
Third Stream	50Hz: 25fps (1280 × 720, 640 × 360, 352 × 288) 60Hz: 30fps (1280 × 720, 640 × 360, 352 × 240)
Video Compression	Main stream/third stream: H.265/H.264 Sub-stream: H.265/H.264/MJPEG
H.264 Type	Main Profile/High Profile
H.264+	Main stream supports
H.265 Type	Main Profile
H.265+	Main stream supports

Video Bit Rate	32 Kbps to 16 Mbps
Scalable Video Coding (SVC)	H.264 and H.265 encoding
<p><i>* When the main stream resolution is 3840 × 2160, max frame rate is 12.5 fps (50Hz)/15 fps (60Hz) for all streams. When the main stream resolution is 3072 × 1728, max frame rate is 20 fps for all streams.</i></p>	
<b>Audio</b>	
Audio Compression	G.711/G.722.1/G.726/MP2L2/PCM/MP3
Audio Bit Rate	64Kbps(G.711)/16Kbps(G.722.1)/16Kbps(G.726)/32-192Kbps(MP2L2)/8Kbps-320Kbps(MP3)
Environment Noise Filtering	Yes
Audio Sampling Rate	8 kHz/16 kHz/32 kHz/44.1 kHz/48 kHz
<b>Smart Feature-Set</b>	
Smart Event	Line crossing detection
Basic Event	Motion detection, video tampering alarm, exception (network disconnected, IP address conflict, illegal login, HDD full, HDD error)
Linkage Method	Upload to FTP/NAS/memory card, notify surveillance center, send email, trigger recording, trigger capture
Region of Interest	1 fixed region for main stream and sub-stream
<b>Image</b>	
Image Enhancement	BLC, HLC, 3D DNR
Image Setting	Rotate mode, saturation, brightness, contrast, sharpness, AGC and white balance adjustable by client software or web browser
Day/Night Switch	Day/Night/Auto/Schedule
<b>Network</b>	
Network Storage	microSD/SDHC/SDXC card (128 GB), local storage and NAS (NFS,SMB/CIFS), ANR Together with high-end Hikvision memory card, memory card encryption and health detection are supported.
Protocols	TCP/IP, ICMP, HTTP, HTTPS, FTP, DHCP, DNS, DDNS, RTP, RTSP, RTCP, PPPoE, NTP, UPnP™, SMTP, SNMP, IGMP, 802.1X, QoS, IPv6, UDP, Bonjour, SSL/TLS
API	ONVIF (PROFILE S, PROFILE G), ISAPI, SDK
Security	Password protection, complicated password, HTTPS encryption, 802.1X authentication (EAP-MD5) , watermark, IP address filter, basic and digest authentication for HTTP/HTTPS, WSSE and digest authentication for ONVIF,

	TLS1.2
Simultaneous Live View	Up to 6 channels
User/Host	Up to 32 users, 3 levels: administrator, operator and user
Client	HiLookVision PC Client, HiLookVision App
Web Browser	Plug-in required live view: IE8+, Chrome 41.0-44, Mozilla Firefox30.0-51, Safari8.0-11 Plug-in free live view: Chrome 45.0+, Mozilla Firefox52.0+
<b>Interface</b>	
Communication Interface	1 RJ45 100M self-adaptive Ethernet port
Audio	1 audio input (built-in microphone), mono sound
Video Output	No
Interface Style	Pigtail style interface
On-board storage	Built-in micro SD/SDHC/SDXC slot, up to 128 GB
<b>General</b>	
Firmware Version	5.5.83
Web Client Language	32 languages English, Russian, Estonian, Bulgarian, Hungarian, Greek, German, Italian, Czech, Slovak, French, Polish, Dutch, Portuguese, Spanish, Romanian, Danish, Swedish, Norwegian, Finnish, Croatian, Slovenian, Serbian, Turkish, Korean, Traditional Chinese, Thai, Vietnamese, Japanese, Latvian, Lithuanian, Portuguese (Brazil)
General Function	Anti-flicker, three streams, heartbeat, mirror, 4 regions of privacy mask
Reset	Reset via reset button on camera body, web browser and client software
Startup and Operating Conditions	-30 °C to 60 °C (-22 °F to 140 °F), humidity 95% or less (non-condensing)
Storage Conditions	-30 °C to 60 °C (-22 °F to 140 °F), humidity 95% or less (non-condensing)
Power Supply	12 VDC ± 25%, Φ 5.5 mm coaxial power plug; PoE (802.3af, class 3)
Power Consumption and Current	12 VDC, 0.5 A, max. 6 W; PoE (802.3af, 36 V to 57 V), 0.3 A to 0.2 A, max. 7.5 W
Material	Metal
Dimensions	Camera: Φ 127.3 × 95.9 mm (5" × 3.8") With package: 150 × 150 × 141 mm (5.9" × 5.9" × 5.6")
Weight	Camera: Approx. 635 g (1.4 lb.) With package: Approx. 890 g (1.96 lb.)

## Approval

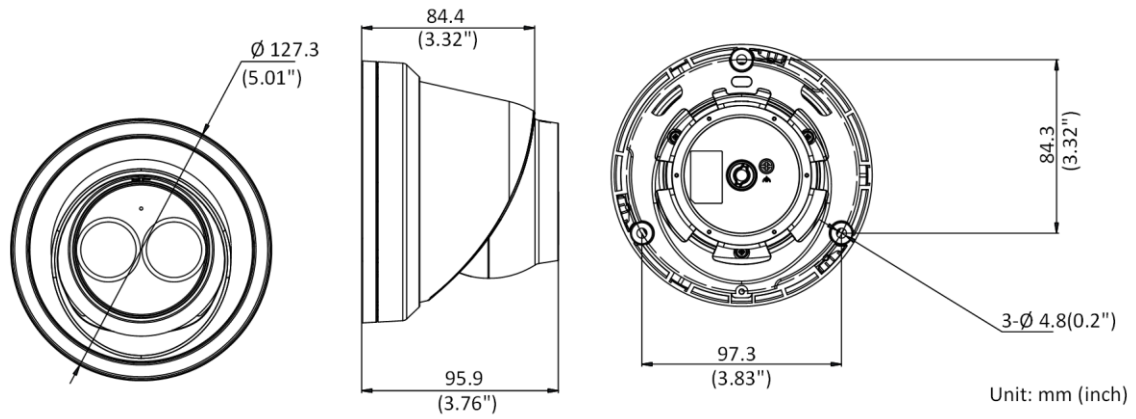
EMC	47 CFR Part 15, Subpart B; EN 55032: 2015, EN 61000-3-2: 2014, EN 61000-3-3: 2013, EN 50130-4: 2011 +A1: 2014; AS/NZS CISPR 32: 2015; ICES-003: Issue 6, 2016; KN 32: 2015, KN 35: 2015
Safety	UL 60950-1, IEC 60950-1:2005 + Am 1:2009 + Am 2:2013, EN 60950-1:2005 + Am 1:2009 + Am 2:2013, IS 13252(Part 1):2010+A1:2013+A2:2015
Chemistry	2011/65/EU, 2012/19/EU, Regulation (EC) No 1907/2006
Protection	Ingress protection: IP66 (IEC 60529-2013)

*\* Listed resolutions are only selectable options. It does not mean that all streams can work at their maximum resolution at the same time.*

## Available Model

IPC-280H-MU (2.8/4 mm)

## Dimensions



## Accessory



**DS-1273ZJ-130-TRL**  
Wall Mount



**DS-1273ZJ-130B-TRL**  
Wall Mount



**DS-1276ZJ-SUS**  
Corner Mount



**DS-1275ZJ-SUS**  
Vertical Pole Mount



**DS-1280ZJ-DM8**  
Junction Box



**DS-1281ZJ-M**  
Inclined Ceiling Mount



**DS-1271ZJ-130-TRL**

**Pendant Mount**