

## 2MPU2T25FWD-I4 2 MP Ultra-Low Light Network Bullet Camera



### Key Features

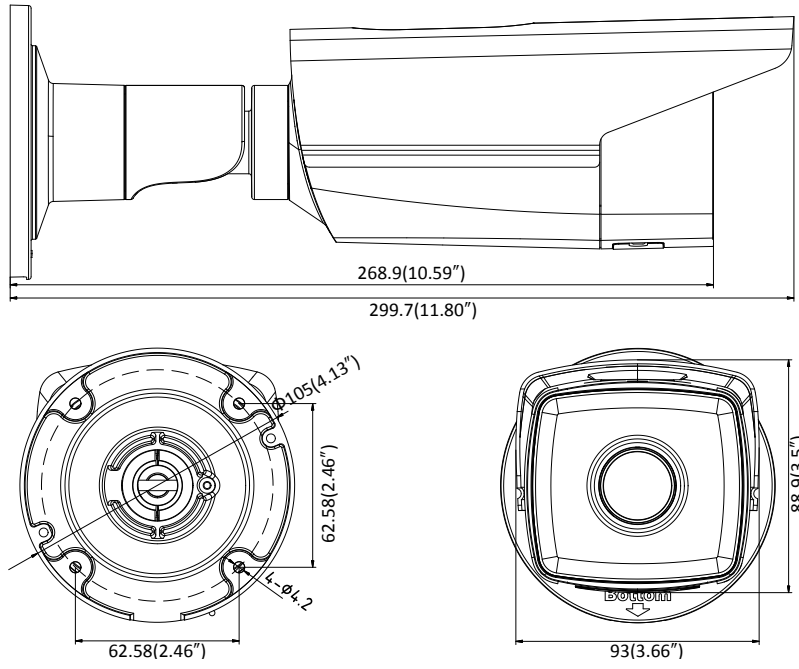
- Up to 2 megapixel high resolution
- Max. 1920 × 1080 @30fps
- 4mm
- Ultra-low light
- H.265, H.265+, H.264+, H.264
- 120dB Wide Dynamic Range
- 3D Digital Noise Reduction
- 12 VDC & PoE (802.3af)
- IR range: 50m, 80m, optional
- Support on-board storage, up to 128 GB
- IP67

## Specification

<b>Camera</b>	
Image Sensor	1/2.8" Progressive Scan CMOS
Min. Illumination	Color: 0.005 lux @(F1.2, AGC ON), 0 lux with IR
Shutter Speed	1/3 s to 1/100,000 s
Slow Shutter	Support
Lens	4 mm, horizontal field of view: 86.4°
Lens Mount	M12
Iris	F1.6
Day & Night	IR cut filter
DNR	3D DNR
Wide Dynamic Range	120dB
3-Axis Adjustment (bracket)	Pan: 0° to 360°, tilt: 0° to 100°, rotate: 0° to 360°
<b>Compression Standard</b>	
Video Compression	Main stream: H.265/H.264 Sub stream: H.265/H.264/MJPEG Third stream: H.265/H.264
H.264 Type	Main Profile/High Profile
H.264+	Support
H.265 Type	Main Profile
H.265+	Support
Video Bit Rate	32 Kbps to 16 Mbps
<b>Image</b>	
Max. Resolution	1920 × 1080
Main Stream	50Hz: 25fps (1920 × 1080, 1280 × 960, 1280×720) 60Hz: 30fps (1920 × 1080, 1280 × 960, 1280×720)
Sub Stream	50Hz: 25fps (640 × 360, 352 × 288) 60Hz: 30fps (640 × 360, 352 × 240)
Third Stream	50Hz: 25fps (1920 × 1080, 1280×720, 640 × 360, 352 × 288) 60Hz: 30fps (1920 × 1080, 1280×720, 640 × 360, 352 × 240)
Image Enhancement	BLC/3D DNR
Image Settings	Support rotate mode. Brightness, contrast, saturation, and sharpness are adjustable via web browser and client software
ROI (Region of Interest)	Support 1 fixed region for mainstream and sub stream separately
Day/Night Switch	Auto/Scheduled
<b>Network</b>	
Network Storage	Support microSD/SDHC/SDXC card (128G) local storage, NAS (NFS,SMB/CIFS), ANR
Alarm Trigger	Motion Detection, Tampering Alarm, Network Disconnected, IP Address Conflict, Illegal Login, HDD full, HDD error
Protocols	TCP/IP, UDP, ICMP, HTTP, HTTPS, FTP, DHCP, DNS, DDNS, RTP, RTSP, RTCP, PPPoE, NTP, UPnP, SMTP, SNMP, IGMP, 802.1X, QoS, IPv6
Standard	ONVIF (PROFILE S, PROFILE G), PSIA, CGI, ISAPI

General Function	One-key Reset, Anti-Flicker, Heartbeat, Mirror, Password Protection, Privacy Mask, Watermark, IP Address Filter
<b>Interface</b>	
Communication Interface	1 RJ45 10M/100M self-adaptive Ethernet port
On-board Storage	Built-in microSD/SDHC/SDXC slot, up to 128 GB
<b>Smart Feature-set</b>	
Behavior Analysis	Line crossing detection, intrusion detection, unattended baggage detection, object removal detection
Line Crossing Detection	Cross a pre-defined virtual line, up to 1 pre-defined virtual lines supported
Intrusion Detection	Enter and loiter in a pre-defined virtual region, up to 1 pre-defined virtual regions supported
Object Removal Detection	Objects removed from the pre-defined region, such as the exhibits on display.
Unattended Baggage Detection	Objects left over in the pre-defined region such as the baggage, purse, dangerous materials
Face Detection	Human face appears in the image can be detected and trigger linkage method
<b>General</b>	
Operating Conditions	-30 °C to +60 °C (-22 °F to +140 °F), Humidity 95% or less (non-condensing)
Power Supply	12 VDC ± 25%, PoE(802.3af 42.5 – 57 V, class 3)
Power Consumption	-I5: 12 VDC ± 25%, 7 W; PoE, 9 W -I8: 12 VDC ± 25%, 10 W; PoE, 12.5 W
IR Range	-I5: up to 50 m -I8: up to 80 m
Protection Level	IP67
Dimensions	Camera: Φ105 × 299.7 mm (Φ4.13" × 11.80") Package: 386 × 156 × 155 mm (15.2" × 6.14" × 6.1")
Weight	1200 g (2.65 lb.)

## Dimensions



Unit: mm

## Accessories



DS-1280ZJ-S  
Junction Box