

# DS-7732NI-M4/16P M Series 8K NVR

## Key Feature

- H.265+/H.265/H.264+/H.264 video formats
- Up to 32-ch IP camera inputs
- Up to 32-ch@1080p decoding capacity
- Up to 320 Mbps incoming bandwidth



## Professional and Reliability

- H.265+ compression effectively reduces the storage space by up to 75%
- Dual-stream recording saves bandwidth
- Adopt stream over TLS encryption technology which provides more secure stream transmission service
- Support double verification for playback and downloading

## HD Video Output

- Provide independent HDMI and VGA outputs
- HDMI video output at up to 8K resolution
- Dual 4K HDMI output resolution

## Storage and Playback

- Up to 4 SATA interfaces for HDD connection
- 16-ch synchronous playback

## Smart & POS Function

- Support multiple VCA (Video Content Analytics) events
- Configurable special camera smart functions, such as VCA detection (motion, line crossing, intrusion, etc.), heat map, ANPR, and people counting
- POS information overlay on live view and playback, and POS triggered recording and alarm

## Network & Ethernet Access

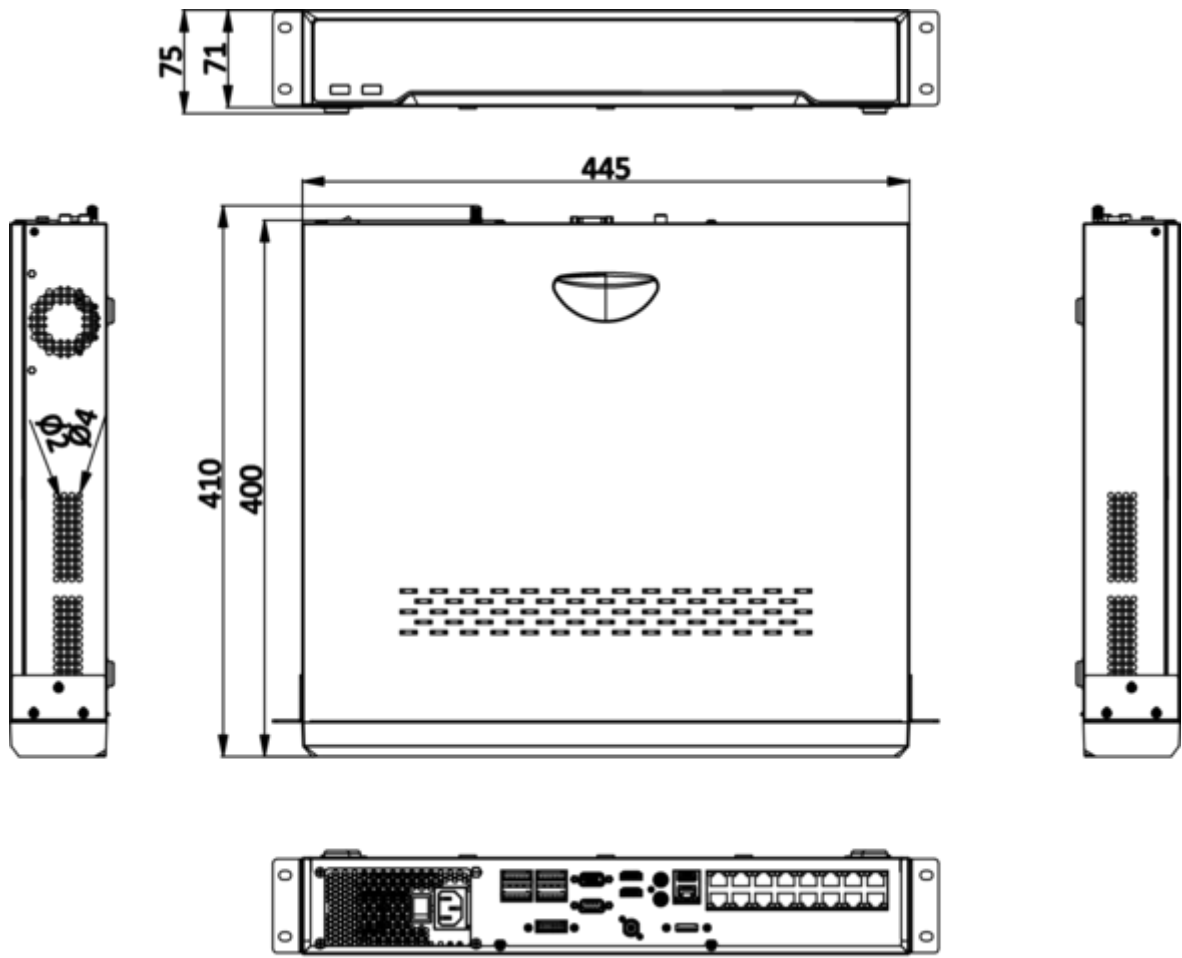
- 16 independent PoE network interfaces
- 1 self-adaptive 10/100/1000 Mbps Ethernet interface
- Hik-Connect & DDNS (Dynamic Domain Name System) for easy network management
- Smooth streaming technology
- Support web access without plug-in

## ▪ Specification

Video and Audio	
IP Video Input	32-ch Up to 32 MP resolution *: After ultra HD resolution mode is enabled, the NVR supports up to 8-ch 32 MP/24 MP IP video inputs.
Incoming Bandwidth	320 Mbps
Outgoing Bandwidth	400 Mbps
HDMI 1 Output	8K (7680 × 4320)/30Hz, 4K (3840 × 2160)/60Hz, 4K (3840 × 2160)/30Hz, 2K (2560 × 1440)/60Hz, 1920 × 1080/60Hz, 1600 × 1200/60Hz, 1280 × 1024/60Hz, 1280 × 720/60Hz, 1024 × 768/60Hz
HDMI 2 Output	4K (3840 × 2160)/60Hz, 4K (3840 × 2160)/30Hz, 2K (2560 × 1440)/60Hz, 1920 × 1080/60Hz, 1600 × 1200/60Hz, 1280 × 1024/60Hz, 1280 × 720/60Hz, 1024 × 768/60Hz
VGA Output	1920 × 1080/60Hz, 1600 × 1200/60Hz, 1280 × 1024/60Hz, 1280 × 720/60Hz, 1024 × 768/60Hz
Video Output Mode	HDMI1/VGA simultaneous output, HDMI2/VGA independent output
CVBS Output	1-ch, BNC (1.0 Vp-p, 75 Ω), resolution: PAL: 704 × 576, NTSC: 704 × 480
Audio Output	1-ch, RCA (Linear, 1 KΩ)
Two-Way Audio	1-ch, RCA (2.0 Vp-p, 1 KΩ, using the audio input)
Decoding	
Decoding Format	H.265+/H.265/H.264+/H.264
Recording Resolution	32 MP/24 MP/12 MP/8 MP/6 MP/5 MP/4 MP/3 MP/1080p/UXGA/720p/VGA/4CIF/DCIF/2CIF/CIF/QCIF *: After ultra HD resolution mode is enabled, the NVR supports up to 8-ch 32 MP/24 MP IP video inputs.
Synchronous Playback	16-ch
Decoding Capability	2-ch@32 MP (30 fps)/2-ch@24 MP (30 fps)/4-ch@12 MP (20 fps)/8-ch@8 MP (25 fps)/16-ch@4 MP (30 fps)/32-ch@1080p (30 fps)
Dual-Stream Recording	Support
Stream Type	Video, Video & Audio
Audio Compression	G.711ulaw/G.711alaw/G.722/G.726/AAC/MP2L2
Network	
Remote Connection	128
Network Protocol	TCP/IP, DHCP, IPv4, IPv6, DNS, DDNS, NTP, RTSP, SADP, SMTP, SNMP, NFS, iSCSI, ISUP, UPnP™, HTTP, HTTPS
Network Interface	1, RJ-45 10/100/1000 Mbps self-adaptive Ethernet interface

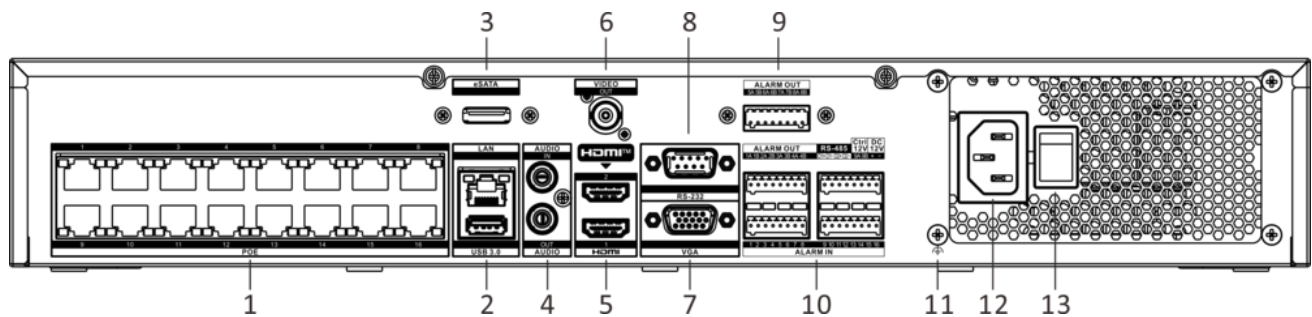
<b>PoE</b>	
Interface	16, RJ-45 10/100 Mbps self-adaptive Ethernet interface
Power	≤ 200 W
Standard	IEEE 802.3 af/at
<b>RAID</b>	
RAID Type	N/A
<b>Auxiliary Interface</b>	
eSATA	1 eSATA interface
SATA	4 SATA interfaces
Capacity	Up to 14 TB capacity for each disk
Serial Interface	2 RS-485 (half-duplex), 1 RS-232
Alarm In/Out	16/9
USB Interface	Front panel: 2 × USB 2.0; Rear panel: 1 × USB 3.0
Ctrl 12V	Controllable 12 VDC, 1 A power output for external alarm device; The power will be turned on when the alarm output is triggered. *: The Ctrl 12V power is controlled by alarm output 9.
DC 12V	12 VDC, 1 A power output
<b>General</b>	
Power Supply	100 to 240 VAC, 50 to 60 Hz
Consumption	≤ 15 W (without HDD and PoE off)
Working Temperature	-10 °C to 55 °C (14 °F to 131 °F)
Working Humidity	10% to 90%
Chassis	19-inch rack-mounted 1.5U chassis
Dimension (W × D × H)	445 × 400 × 75 mm ( 17.5"× 15.7" × 3.0")
Weight	≤ 5 kg (without HDD, 11 lb.)
<b>Certification</b>	
FCC	Part 15 Subpart B, ANSI C63.4-2014
CE	EN 55032:2015+A1:2020, ENIEC61000-3-2:2019+A1:2021, EN 61000-3-3:2013+A1:2019, EN 50130-4:2011+A1:2014, EN 55035:2017+A11:2020

# Dimension



scale/1:1;Unit/mm

## Physical Interface



No.	Description	No.	Description
1	Network interfaces with PoE function	8	RS-232 serial interface
2	USB 3.0 interface and LAN interface	9	Alarm out
3	eSATA interface	10	Alarm in, alarm out, RS-485, Ctrl 12V and DC 12V
4	Audio in and audio out	11	GND
5	HDMI 1 and HDMI 2 interfaces	12	100 to 240 VAC power supply
6	CVBS video output	13	Power switch
7	VGA output		

## Available Model

DS-7732NI-M4/16P-OEM + 3TB