

Voyager Duo  
V5 Duo  
Parts List

ARJOHUNTLEIGH  
GETINGE GROUP



## Design Policy and Copyright

® and ™ are trademarks belonging to the ArjoHuntleigh group of companies.  
© ArjoHuntleigh 2016.

As our policy is one of continuous improvement, we reserve the right to modify designs without prior notice. The content of this publication may not be copied either whole or in part without the consent of ArjoHuntleigh.

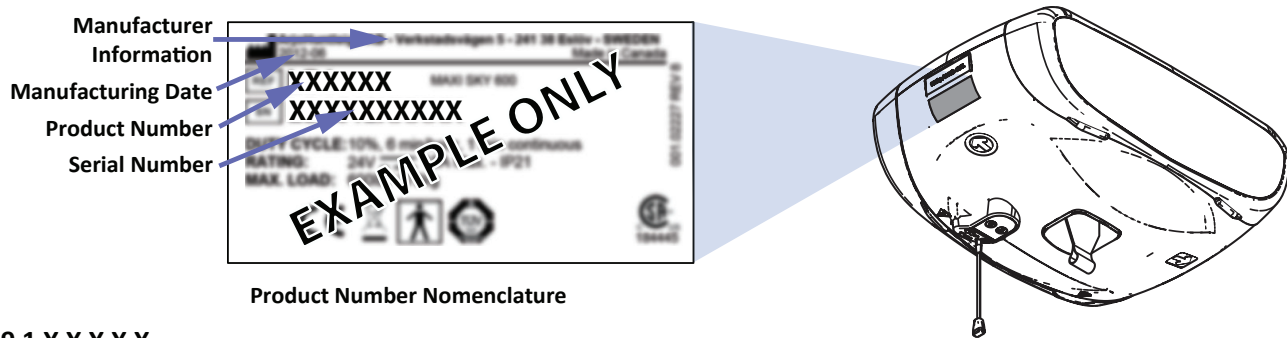
# General Information

Before ordering spare parts, study the exploded view closely and make sure that you are familiar with all the spare parts involved.

Before contacting the ArjoHuntleigh Parts Sales department, always have the following information at hand:

- Correct name of the product (see Product Identification Label below).
- The serial number of the product (see Product Identification Label below).

## Product Identification Label



The diagram shows a product identification label on the left and a perspective view of a product on the right. The label is a rectangular sticker with various fields. Arrows point from the label fields to the text labels on the left: 'Manufacturer Information' points to the top line, 'Manufacturing Date' points to the 'XXXXXX' field, 'Product Number' points to the 'XXXXXXXXXX' field, and 'Serial Number' points to the bottom line. The label also contains technical specifications like 'DUTY CYCLE: 10%', 'RATING: 24V', and 'MAX. LOAD: 250'. A large diagonal watermark 'EXAMPLE ONLY' is overlaid on the label. The product view on the right shows a rounded rectangular device with a handle and a small display or sensor on top.

**Manufacturer Information**

**Manufacturing Date**

**Product Number**

**Serial Number**

**EXAMPLE ONLY**

**Product Number Nomenclature**

9 1 X X X X X

INTERNAL FUNCTION:  
0 - 4 FUNCTION  
2 - 2-FUNCTION

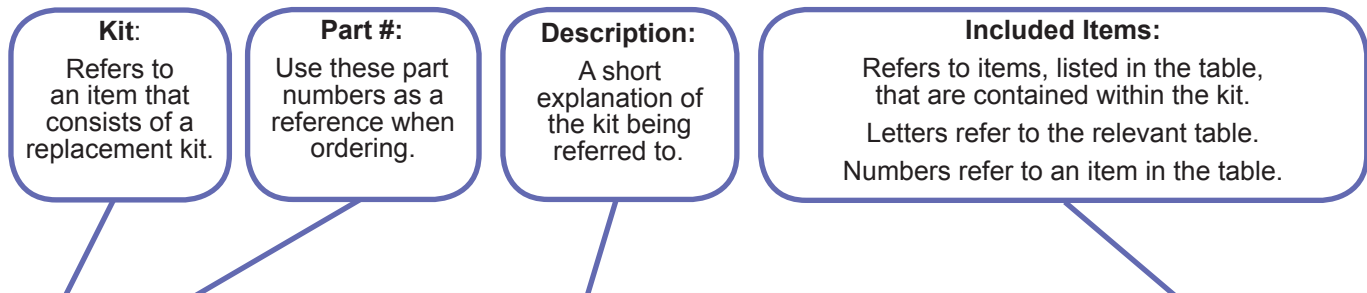
RAIL SYSTEM COMPATIBILITY  
0 - KWIKTRAK  
B - BHM  
G - GPROFILE  
M - M PROFILE  
P - P PROFILE  
W - W PROFILE  
T - T PROFILE

MODEL:  
13 - VOYAGER DUO  
23 - V5 DUO

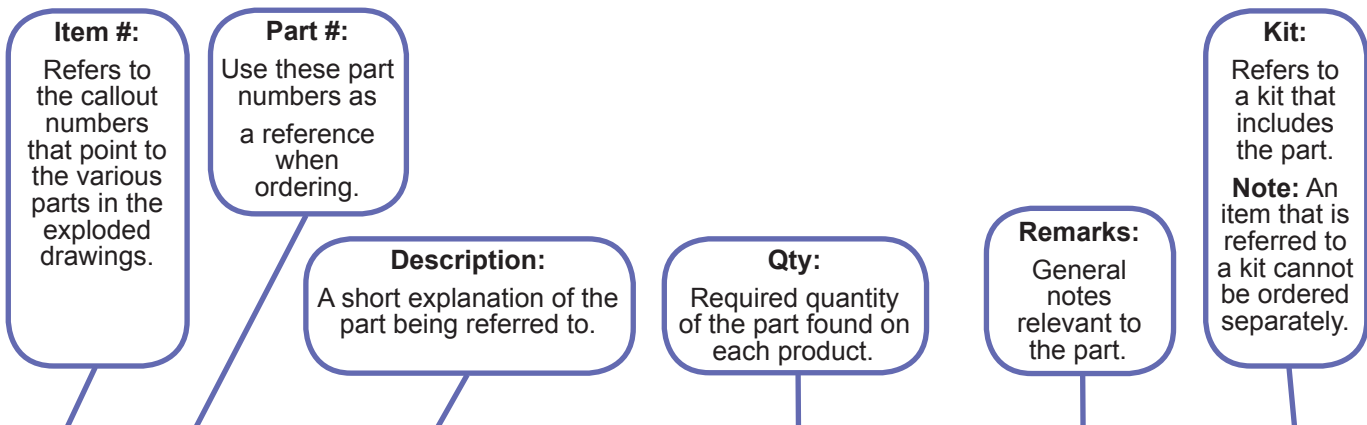
FOR DETAILS ON RAIL PROFILES, REFER TO DOCUMENT No. 001-14250

Modifications made to the equipment without ArjoHuntleigh's express acknowledgement will invalidate supplier's product liability.

# How to Read Parts List Tables



| <b>A</b> <i>REPLACEMENT KITS TABLE</i> |           |                        |                |
|--|-----------|------------------------|----------------|
| Item                                   | Part #    | Description            | Included Items |
| K1                                     | 700-00001 | FIRST REPLACEMENT KIT  | B2             |
| K2                                     | 700-00002 | SECOND REPLACEMENT KIT | B6-B7          |
| K3                                     | 700-00003 | THIRD REPLACEMENT KIT  | B1, B3-B4      |
| K4                                     | 700-00004 | FOURTH REPLACEMENT KIT | B5             |



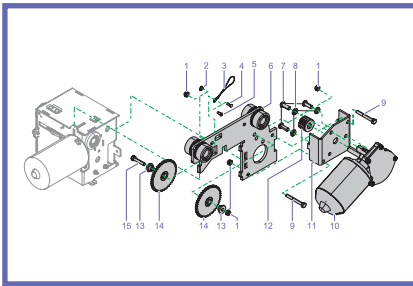
| <b>B</b> <i>PARTS DETAIL TABLE</i> |           |              |     |         |     |
|------------------------------------|-----------|--------------|-----|---------|-----|
| Item                               | Part #    | Description  | Qty | Remarks | Kit |
| 1                                  | 001-00001 | FIRST PART   | 2   |         | K3  |
| 2                                  | 001-00002 | SECOND PART  | 2   |         | K1  |
| 3                                  | 001-00003 | THIRD PART   | 2   |         | K3  |
| 4                                  | 001-00004 | FOURTH PART  | 1   |         | K3  |
| 5                                  | 001-00005 | FIFTH PART   | 2   |         | K4  |
| 6                                  | 001-00006 | SIXTH PART   | 8   |         | K2  |
| 7                                  | 001-00007 | SEVENTH PART | 2   |         | K2  |

## Legend

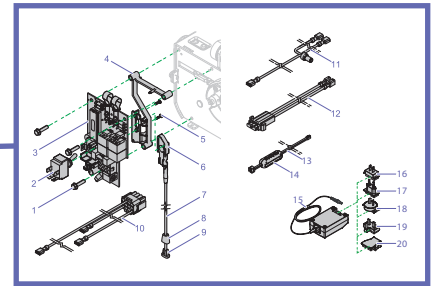
- 1 → Callout for single item
- ① - - Callout for assembly kit
- - - - - Assembly lines above components
- - - - - Assembly lines behind components
- Text in Green Highlights changes from previous revision

# Table of Contents

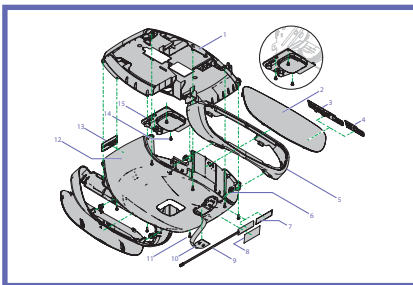
|                                       |          |
|---------------------------------------|----------|
| <b>Exploded Views .....</b>           | <b>2</b> |
| A - Replacement Kits .....            | 2        |
| B - General Parts / Accessories ..... | 4        |
| C - Housing .....                     | 5        |
| D - Transmission .....                | 6        |
| E - Trolley .....                     | 8        |
| F - Electrical .....                  | 9        |
| Track Profile Details .....           | 10       |



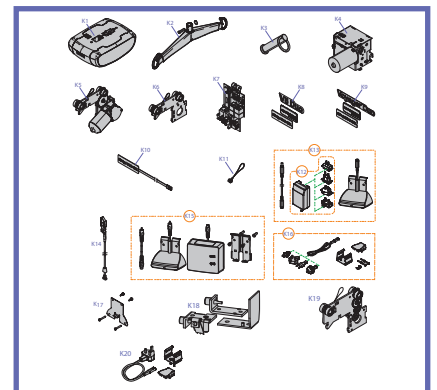
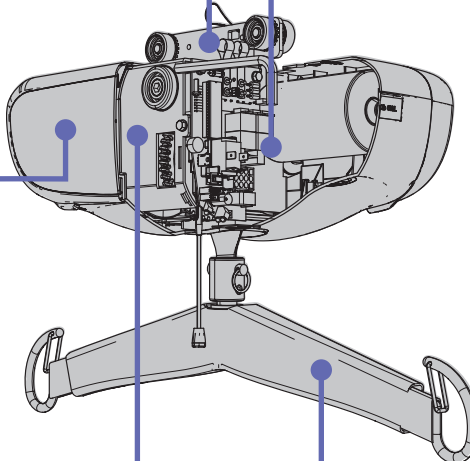
“E - Trolley” on page 8



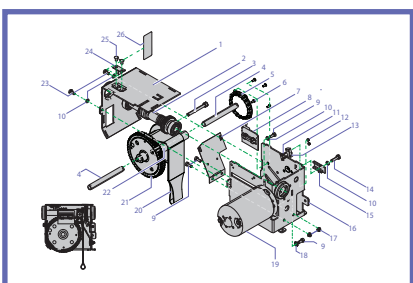
“F - Electrical”, page 9



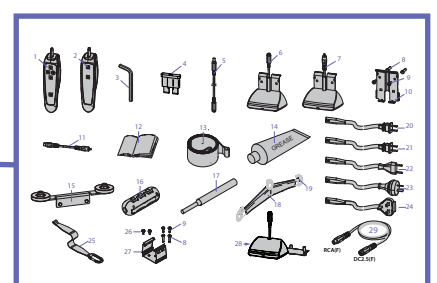
“C - Housing”, page 5



“A - Replacement Kits”, page 2



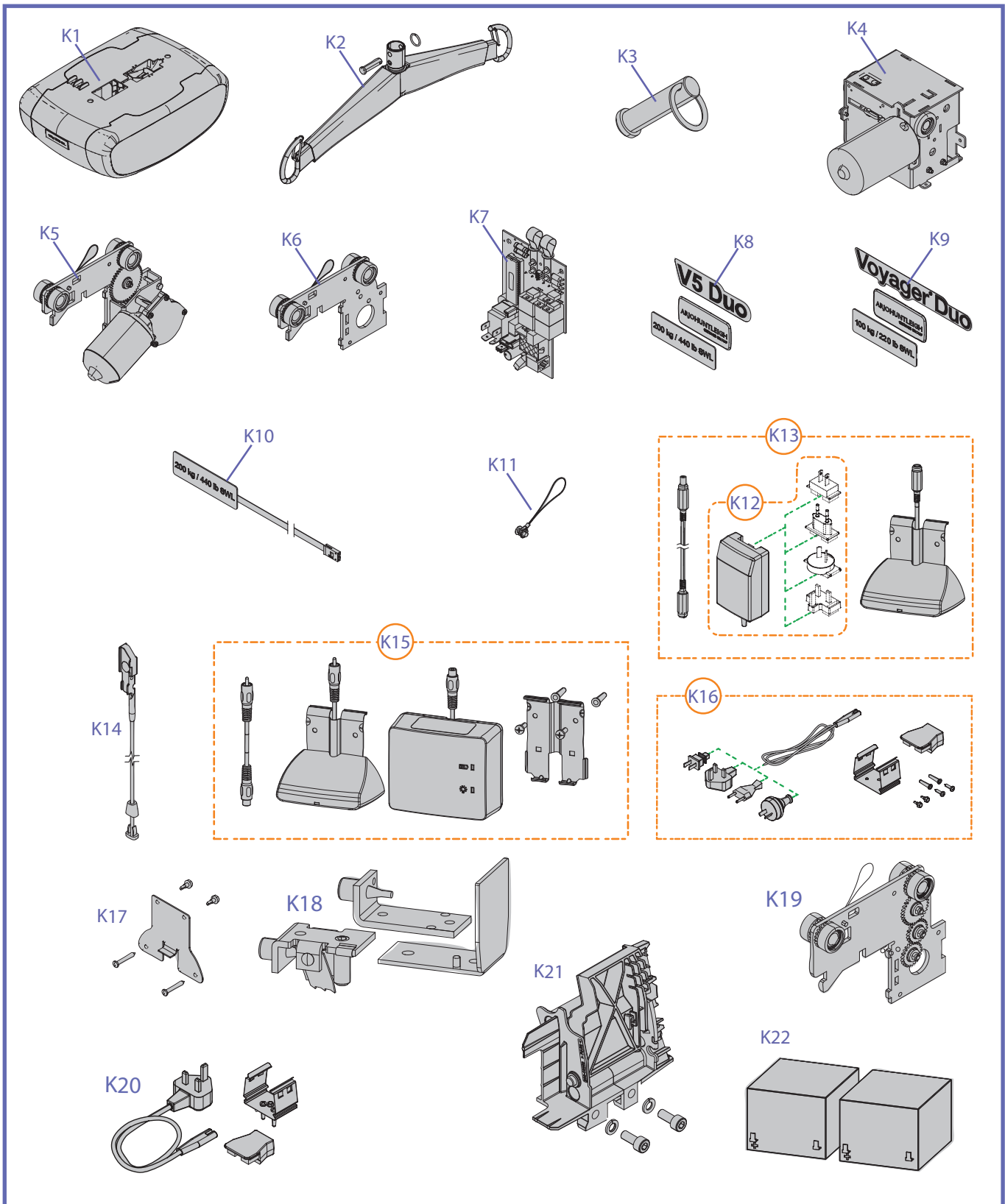
“D - Transmission”, page 6



“B - General Parts / Accessories”, page 4

# Exploded Views

## A - Replacement Kits



# A

# REPLACEMENT KITS

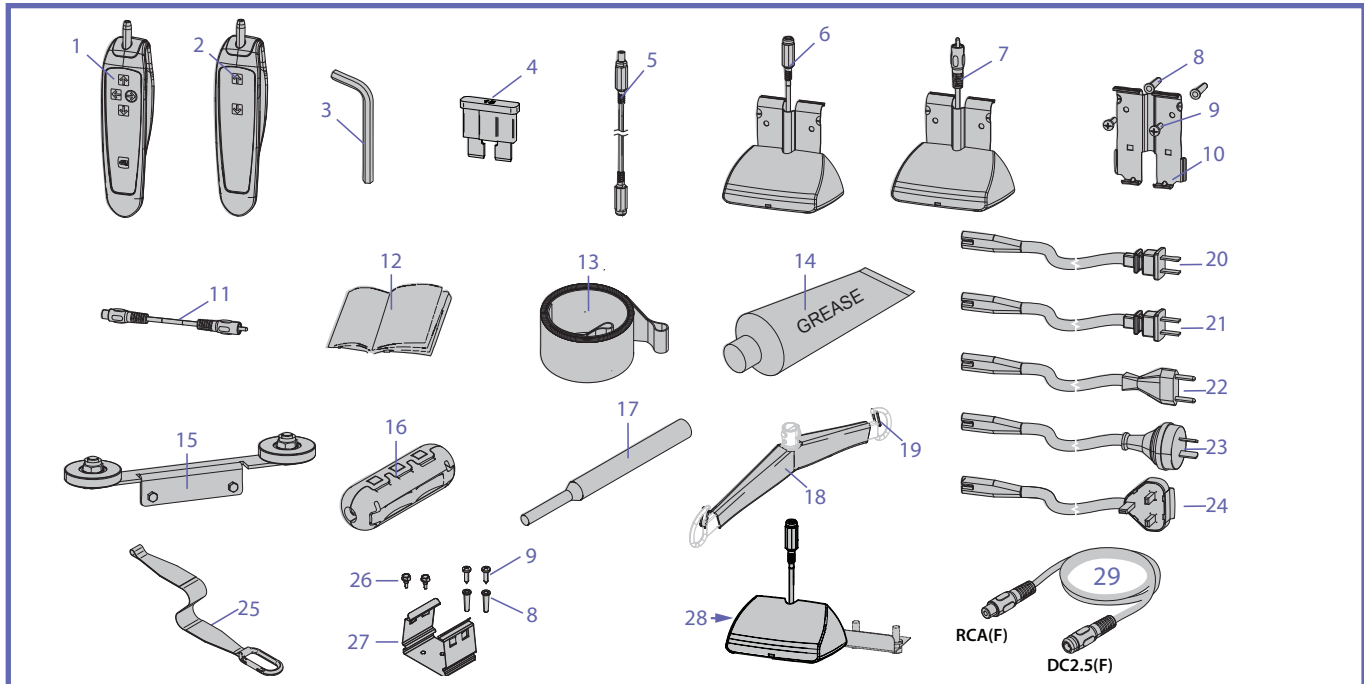
| ITEM | PART №       | DESCRIPTION                                    | INCLUDED ITEMS                   |
|------|--------------|--|----------------------------------|
| K1   | 700-19523    | V5 Duo™ Housing Kit                            | C1 - C2, C4 - C16                |
|      | 700-19521    | Voyager® Duo Housing kit                       | C1 - C3, C5 - C16                |
| K2   | 700.05491    | Spreader bar with Blue Cushion top             | -                                |
| K3   | 700-00905    | Clevis Pin & Split Ring                        | -                                |
| K4   | 700.14510    | Transmission kit                               | D1 - D26                         |
| K5   | 700-14026    | 4-FB KWIKtrak®, “B/M/P” track profile trolley* | E1 - E15                         |
|      | 700.14045    | 4-FB “G/W/T” track profile trolley*            | E1 - E15                         |
| K6   | 700-14021    | 2-FB KWIKtrak, “B/M/P” track profile trolley*  | E1 - E6                          |
|      | 700.14040    | 2-FB “G/W/T” track profile trolley*            | E1 - E6                          |
| K7   | 499-01072-B  | Circuit board replacement kit                  | F2 - F5                          |
| K8   | 700-19524    | V5 Duo Label Kit                               | C4, C7, C13                      |
| K9   | 700-19520    | Voyager Duo Labels kit                         | C3, C7, C13                      |
| K10  | 700-19511    | 200 kg key assembly                            | C9                               |
| K11  | 700.14015    | Anti-static kit                                | E1 - E5                          |
| K12  | 700-15568    | Universal Charger                              | F15 - F19                        |
|      | 700-15561    | Charger - UL/JP                                | F15, F16                         |
| K13  | 700-15511    | KWIKtrak Universal Charger Kit                 | B5, B6, F15 - F19                |
|      | 700-15512    | Charger Kit - Universal - Other Track          | B5, B28, F15 - F19               |
| K14  | 700-01343    | Emergency stop cord                            | F6 - F9                          |
| K15  | 700.15500    | KWIKtrak charger Kit                           | B7 - B11, Charger Box            |
| K16  | 700-15551    | Charger Support Kit - UL                       | B8, B9, B20, B26, B27, F20       |
|      | 700-15552    | Charger Support Kit - JP                       | B8, B9, B21, B26, B27, F20       |
|      | 700-15555    | Charger Support Kit - CE/AU/UK                 | B8, B9, B22 - B24, B26, B27, F20 |
| K17  | 700.15565    | Extended Charger Bracket Kit                   | Includes Hardware                |
| K18  | 700.05320.15 | End Stopper for “M” Track Profile*             | -                                |
|      | A5320        | End Stopper for “B” Track Profile*             | -                                |
|      | A5320-C      | End Stopper for “G/T/W” Track Profile*         | -                                |
|      | 700.11005    | End Stopper for KWIKtrak & “P” Track Profile*  | -                                |
| K19  | 700-14066    | Extended KWIKtrak Trolley                      | -                                |
| K20  | 600-24285    | Protection Fuse Kit                            | -                                |
| K21  | 700-14075    | High Limit Switch Kit                          | Replaces the limit plate         |
| K22  | 700-02403    | Battery kit                                    | 2 x (403.10500) 12V 5AH          |

\* Refer to “Track Profile Details” on page 10

\* Item B15 is required for B Track profile.

\* The Protection Fuse kit K21 is required for all installations in UK.

## B - General Parts / Accessories



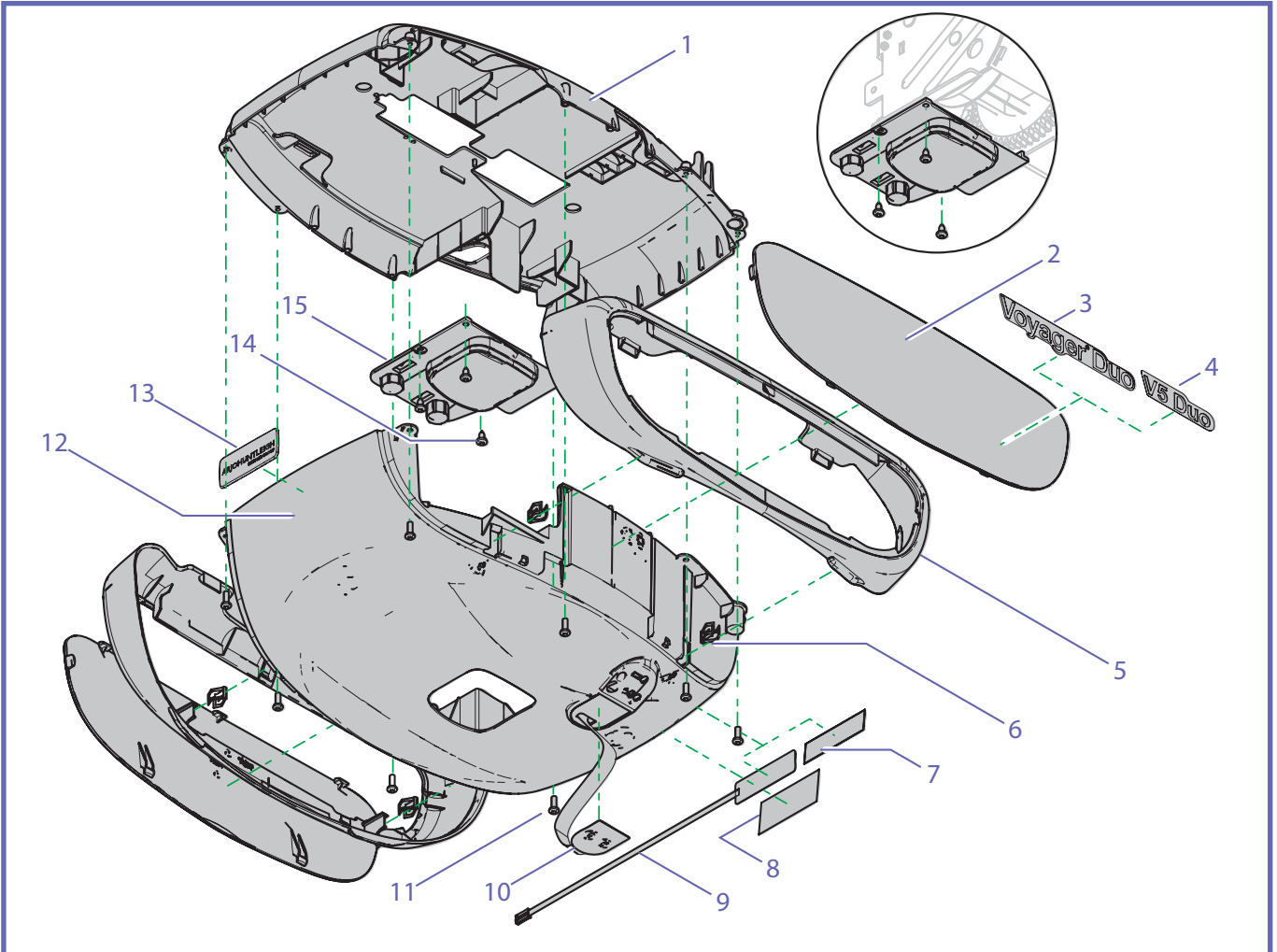
### B

### GENERAL PARTS / ACCESSORIES

| ITEM | PART No     | DESCRIPTION                          | QTY | REMARKS  |
|------|-------------|--------------------------------------|-----|--|
| 1    | 700-13805   | 4-function hand control              | 1   |  |
| 2    | 700-13865   | 2-function hand control              | 1   |  |
| 3    | 600-03975   | 8 mm zinc plated short Allen key     | 1   |  |
| 4    | 480.00115   | 15A Fuse                             | 1   |  |
| 5    | 402.15508   | 2.5 DC Charger extension             | 1   | Compatible with 700-24201 and 700-15567 (K13)                            |
| 6    | 700-15522-0 | 2.5 DC Charge station                | 1   |  |
| 7    | 700.15520   | Charge station - RCA                 | 1   | Compatible with 700.15500 (K16)  |
| 8    | 000.00655   | #10-12 Plastic anchor                | 2   |  |
| 9    | 000.00645   | ST 4.8 x 19 Phillips Tap screw       | 2   |  |
| 10   | 225.15540   | Contact box plate                    | 1   |  |
| 11   | 402.15505   | Charger RCA extension cord           | 1   |  |
| 12   | 001.19520   | Voyager Duo Instructions for Use     | 1   |  |
|      | 001-16005   | V5 Duo Instructions for Use          |     |  |
| 13   | 362-15670   | Strap                                | 1   |  |
| 14   | P8180       | Food grade type grease               | -   |  |
| 15   | 700.14900   | BHM track guiding wheel kit          | -   | For "B" track profile  |
| 16   | 405-20803   | Ferrite for hand control             | 1   |  |
| 17   | 005.00374   | Pin extractor                        | -   |  |
| 18   | 361.05491   | Blue spreader bar cushion top        | 1   |  |
| 19   | 200.05466   | Safety latch                         | 2   |  |
| 20   | 402.00001   | Cable - Class 2 (US)                 | -   |  |
| 21   | 402.00002   | Cable - Class 2 (JP)                 | -   |  |
| 22   | 402.00003   | Cable - Class 2 (CE)                 | -   |  |
| 23   | 402.00004   | Cable - Class 2 (AU)                 | -   |  |
| 24   | 402.00005   | Cable - Class 2 (UK)                 | -   |  |
| 25   | 700.14010   | 1 Meter Strap Extension              | -   |  |
| 26   | 000.02515   | ST4.8 X 13 HEX Self tap screw        | -   |  |
| 27   | 225-15563   | Charger support                      | -   |  |
| 28   | 700-15522-1 | 2.5 DC Charge station - Other Tracks | -   |  |
| 29   | 402.15507   | - 2.5DC (F) RCA(F) Cable Adaptor     |     | Used to connect charger with charging stations featuring a RCA connector |



## C - Housing

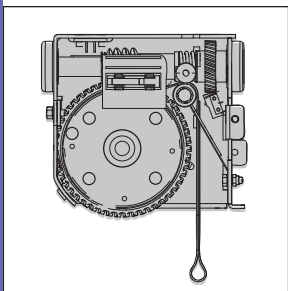
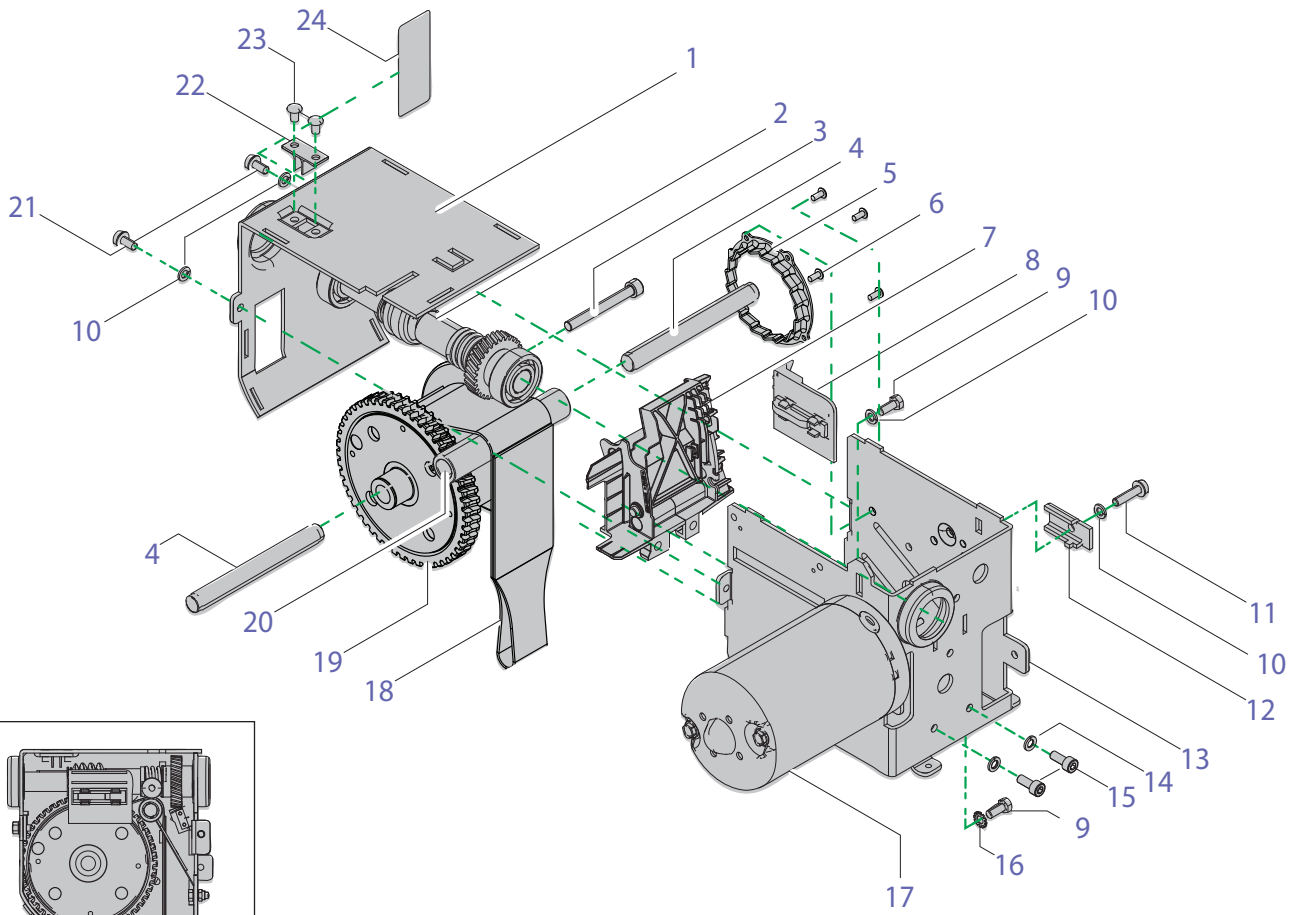
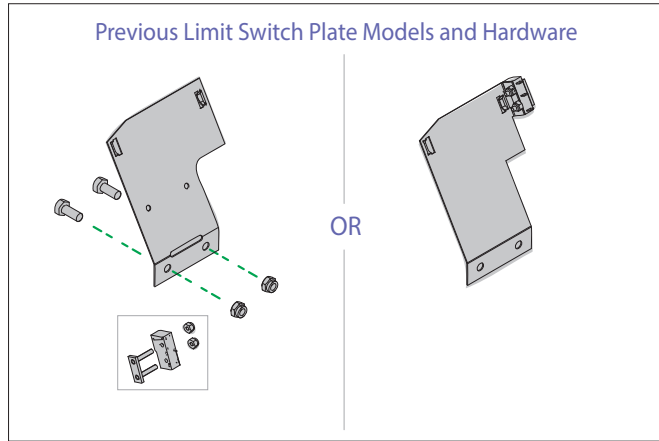


**C**

### *Housing*

| ITEM | PART №    | DESCRIPTION                 | QTY | REMARKS | KITS |
|------|-----------|-----------------------------|-----|---------|------|
| 1    | 200.19500 | Top cover                   | 1   |         |      |
| 2    | 200.19503 | Side panel                  | 2   |         |      |
| 3    | 001.19500 | "Voyager Duo" Sticker       | 2   |         | K9   |
| 4    | 001-19502 | "V5 Duo" Sticker            | 2   |         | K8   |
| 5    | 200.19505 | Side cover with clip        | 2   |         |      |
| 6    | 000.14520 | Trim clip, panel            | 4   |         |      |
| 7    | 001.19510 | 100 kg SWL label            | 1   |         |      |
| 8    | 001.19531 | Voyager Duo nameplate       | 1   |         |      |
|      | 001-19570 | V5 Duo nameplate            |     |         |      |
| 9    | 001.19511 | 200 kg key assembly         | -   |         | K10  |
| 10   | 001.19506 | Up-down membrane            | 1   |         |      |
| 11   | 000.02480 | 4.0 X 12 plastite tap screw | 8   |         |      |
| 12   | 200.19501 | Bottom cover                | 1   |         |      |
| 13   | 8418699   | ArjoHuntleigh logo sticker  | 1   |         |      |
| 14   | 000.00635 | 4.2 X 9.5 St Torx tap screw | 3   |         |      |
| 15   | 200.19504 | Strap inlet                 | 1   |         |      |

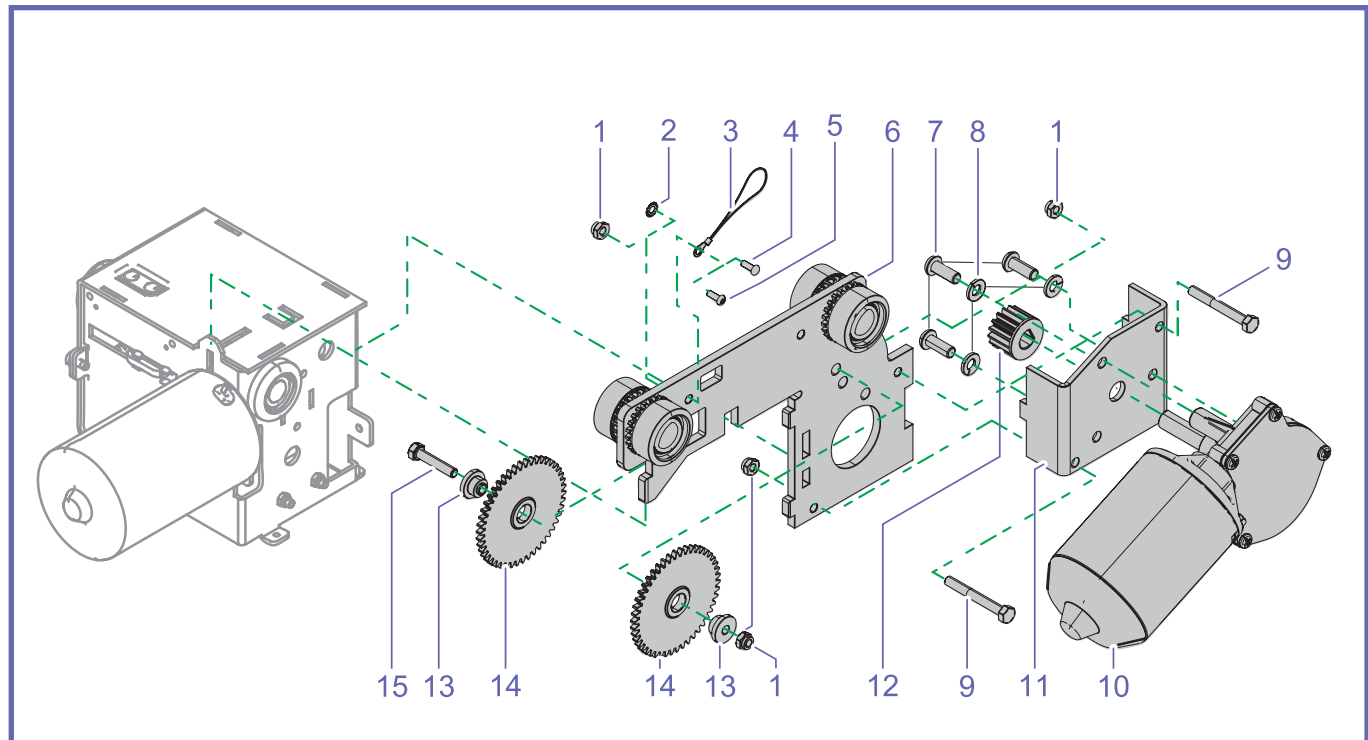
# D - Transmission



**D****TRANSMISSION**

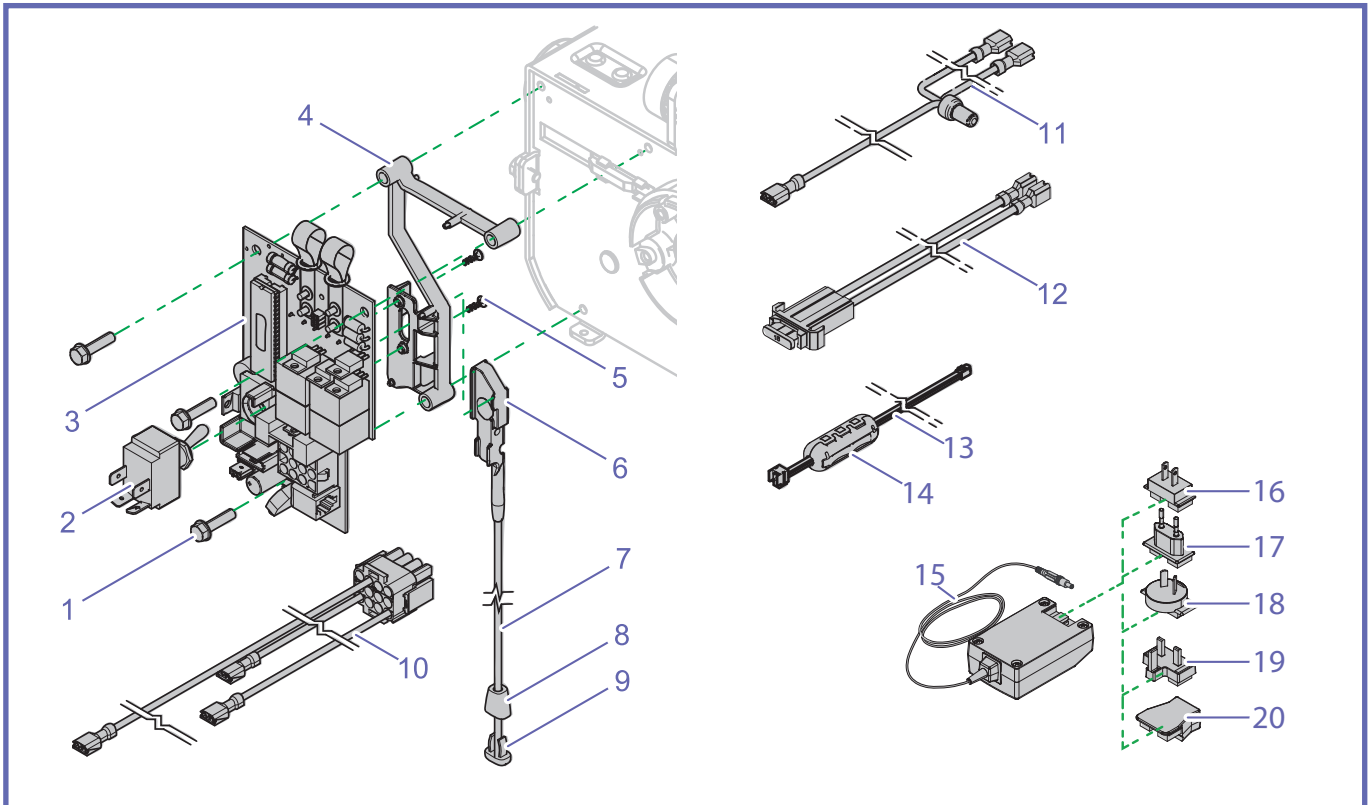
| ITEM | PART №    | DESCRIPTION                       | QTY | REMARKS               | KIT |
|------|-----------|-----------------------------------|-----|-----------------------|-----|
| 1    | 203.14010 | Frame top part                    | 1   |                       | K4  |
| 2    | 700.14100 | Shaft assembly                    | 1   |                       | K4  |
| 3    | 000-03766 | M8 X 70 SOC ZP Screw              | 1   | Serial № 84854 to ... |     |
| 4    | 203.14050 | 12mm shaft                        | 2   |                       |     |
| 5    | 203-15618 | Emergency brake toothed disk      | 1   | Serial № 84854 to ... | K4  |
| 6    | 010.00899 | 3/16 1/8-1/4 stainless Rivet      | 4   | Serial № 84854 to ... |     |
| 7    | 700-14075 | High Limit Switch Kit             | 1   | Replaces limit plate  | K20 |
| 8    | 200.14230 | CBLM Plate                        | 1   |                       | K4  |
| 9    | 000.02550 | M5 X 12 zinc plated hex screw     | 2   |                       |     |
| 10   | 000.02900 | M5 zinc plated lock washer        | 4   |                       |     |
| 11   | 000.02590 | M5 X 20 zinc plated Taptite screw | 1   |                       |     |
| 12   | 203.14030 | Trolley lock                      | 1   |                       |     |
| 13   | 203.14000 | "U-shape" frame                   | 1   |                       | K4  |
| 14   | 000.02900 | M5 zinc-plated lockwasher         | 2   |                       |     |
| 15   | 000-02551 | Socket head cap screws            | 2   |                       |     |
| 16   | 000.02915 | M5 zinc-plated star washer        | 1   |                       |     |
| 17   | 400.14000 | Vertical motor                    | 1   |                       |     |
| 18   | 362-15670 | Strap                             | 1   |                       |     |
| 19   | 600-13351 | Drum - Die cast MS-600            | 1   | Serial № 84854 to ... | K4  |
| 20   | 200.14060 | Strap roller                      | 1   |                       |     |
| 21   | 000.02562 | M5 X 10 zinc-plated Taptite screw | 2   |                       |     |
| 22   | 200.14260 | SSRS enabler                      | 1   |                       |     |
| 23   | 000.00890 | 3/16" 0-1/8 Aluminium rivet       | 2   |                       |     |
| 24   | 001-10012 | Lot/Serial Number Label           | 1   |                       | K4  |

## E - Trolley



| <b>E TROLLEY</b> |           |                                  |     |         |      |
|------------------|-----------|----------------------------------|-----|---------|------|
| ITEM             | PART №    | DESCRIPTION                      | QTY | REMARKS | KITS |
| 1                | 000.02800 | M5 zinc-plated locknut           | 5   |         |      |
| 2                | 000.02915 | M5 zinc star washer              | 2   |         |      |
| 3                | 402.14015 | Antistatic wire                  | 1   |         |      |
| 4                | 000.00899 | 3/16 1/8-1/4 Steel rivet         | 1   |         |      |
| 5                | 000.02550 | M5 x 12 Hex Screw                | 1   |         |      |
| 6                | 700-14021 | 2-function trolley               | 1   |         | K6   |
| 7                | 000.03105 | M6 X 16 zinc-plated button screw | 3   |         |      |
| 8                | 000.03420 | M6 zinc-plated lock washer       | 3   |         |      |
| 9                | 000.02655 | M5 X 40 zinc-plated hex screw    | 2   |         |      |
| 10               | E0006     | Gear motor                       | 1   |         |      |
| 11               | 203.14040 | Left/right motor plate           | 1   |         |      |
| 12               | 200.14250 | Left/right motor gear            | 1   |         |      |
| 13               | 203.14220 | Bushing idler                    | 2   |         |      |
| 14               | 200.14210 | 46 tooth idler                   | 2   |         |      |
| 15               | 000.02610 | M5 X 25 zinc-plated hex screw    | 1   |         |      |

## F - Electrical

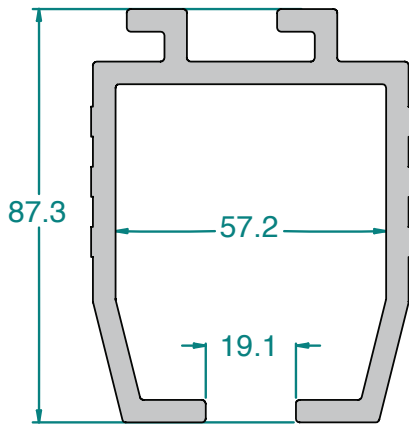


### F

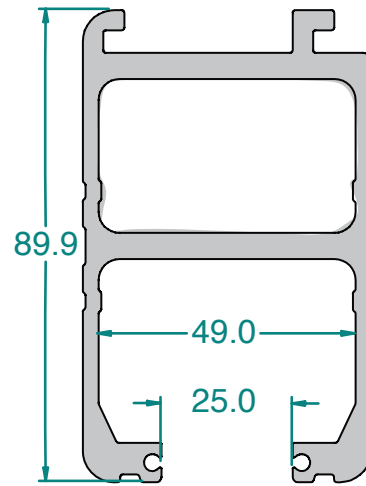
### ELECTRICAL

| ITEM | PART No   | DESCRIPTION                                    | QTY | REMARKS  | KITS |
|------|-----------|--|-----|--|------|
| 1    | 000.02590 | M5 X 20 Taptite screw                          | 3   |  |      |
| 2    | 460.00061 | 15A 0.25TAB DPST toggle switch                 | 1   |  |      |
| 3    | 499-01072 | PCBA Motor control                             | 1   |  | K7   |
| 4    | 200.19506 | PCB support                                    | 1   |  |      |
| 5    | 000.00032 | 3.0 X 10 Plastite, zinc-plated flat Torx screw | 2   |  |      |
| 6    | 200.19508 | Emergency stop insert                          | 1   |  | K15  |
| 7    | 000.01343 | 26" Red elastic cord                           | 1   |  | K15  |
| 8    | 000.01375 | Cord tip "insert"                              | 1   |  |      |
| 9    | 000.01370 | Cord end "insert"                              | 1   |  |      |
| 10   | 402.00062 | Wire harness power cable                       | 1   |  |      |
| 11   | 402.00060 | Wire harness switch - battery                  | 1   |  |      |
| 12   | 402.00061 | In-line fuse for battery wire harness          | 1   |  |      |
| 13   | 402.19500 | Hand control to UMC harness                    | 1   |  |      |
| 14   | 405-20803 | Ferrite for hand control                       | 1   |  |      |
| 15   | 700-15567 | Universal charger                              |     |  |      |
| 16   | 200-15561 | Primary adaptor - US/JP                        |     | Only one primary adaptor is supplied with the lift according to country of destination |      |
| 17   | 200-15563 | Primary adaptor - CE                           |     |  |      |
| 18   | 200-15564 | Primary adaptor - AU                           |     |  |      |
| 19   | 200-15565 | Primary adaptor - UK                           |     |  |      |
| 20   | 200-15569 | Primary adaptor - IEC                          |     | For use with appropriate power cord (item B20 - B24)                                   |      |

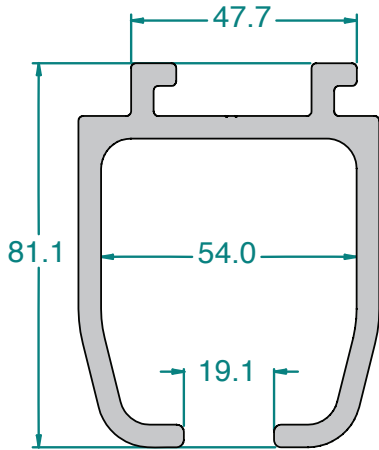
## Track Profile Details



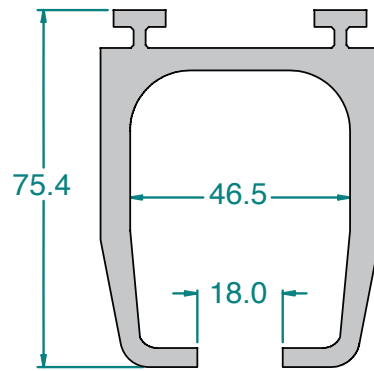
**B - Profile**



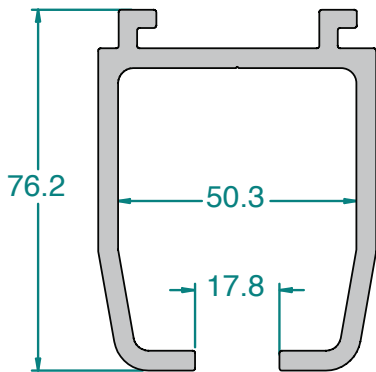
**P - Profile**



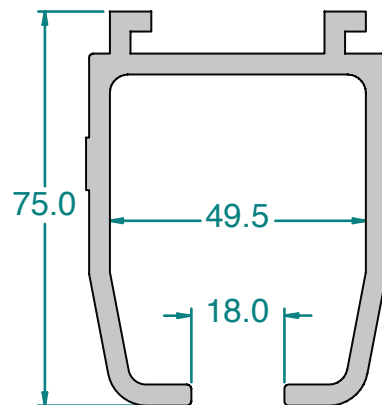
**G - Profile**



**T - Profile**



**M - Profile**



**W - Profile**

**AUSTRALIA**

ArjoHuntleigh Pty Ltd  
78, Forsyth Street  
O'Connor  
AU-6163 Western Australia  
Tel: +61 89337 4111  
Free: +1 800 072 040  
Fax: + 61 89337 9077

**BELGIQUE / BELGIË**

ArjoHuntleigh NV/SA  
Evenbroekveld 16  
BE-9420 ERPE-MERE  
Tél/Tel: +32 (0) 53 60 73 80  
Fax: +32 (0) 53 60 73 81  
E-mail: info@arjohuntleigh.be

**BRASIL**

Maquet do Brasil  
Equipamentos Médicos Ltda  
Rua Tenente Alberto Spicciati, 200  
Barra Funda, 01140-130  
SÃO PAULO, SP - BRASIL  
Fone: +55 (11) 2608-7400  
Fax: +55 (11) 2608-7410

**CANADA**

ArjoHuntleigh  
90 Matheson Boulevard West  
Suite 300  
CA-MISSISSAUGA, ON, L5R 3R3  
Tel/Tél: +1 905 238 7880  
Free: +1 800 665 4831 Institutional  
Free: +1 800 868 0441 Home Care  
Fax: +1 905 238 7881  
E-mail: info.canada@arjohuntleigh.com

**ČESKÁ REPUBLIKA**

ArjoHuntleigh s.r.o.  
Hlinky 118  
CZ-603 00 BRNO  
Tel: +420 549 254 252  
Fax: +420 541 213 550

**DANMARK**

ArjoHuntleigh A/S  
Vassingerødvej 52  
DK-3540 LYNGE  
Tel: +45 49 13 84 86  
Fax: +45 49 13 84 87  
E-mail:  
dk\_kundeservice@arjohuntleigh.com

**DEUTSCHLAND**

ArjoHuntleigh GmbH  
Peter-Sander-Strasse 10  
DE-55252 MAINZ-KASTEL  
Tel: +49 (0) 6134 186 0  
Fax: +49 (0) 6134 186 160  
E-mail: info-de@arjohuntleigh.com

**ESPAÑA**

ArjoHuntleigh Ibérica S.L.  
Ctra. de Rubí, 88 1ª planta - A1  
08173 Sant Cugat del Vallés  
ES- BARCELONA 08173  
Tel: +34 93 583 11 20  
Fax: +34 93 583 11 22  
E-mail: info.es@arjohuntleigh.com

**FRANCE**

ArjoHuntleigh SAS  
2 Avenue Alcide de Gasperi  
CS 70133  
FR-59436 RONCQ CEDEX  
Tél: +33 (0) 3 20 28 13 13  
Fax: +33 (0) 3 20 28 13 14  
E-mail: info.france@arjohuntleigh.com

**HONG KONG**

ArjoHuntleigh (Hong Kong) Ltd  
1510-17, 15/F, Tower 2  
Kowloon Commerce Centre  
51 Kwai Cheong Road  
Kwai Chung  
HONG KONG  
Tel: +852 2207 6363  
Fax: +852 2207 6368

**INTERNATIONAL**

ArjoHuntleigh International Ltd  
ArjoHuntleigh House  
Houghton Hall Park  
Houghton Regis  
UK-DUNSTABLE LU5 5XF  
Tel: +44 (0) 1582 745 800  
Fax: +44 (0) 1582 745 866  
E-mail:  
international@arjohuntleigh.com

**ITALIA**

ArjoHuntleigh S.p.A.  
Via Giacomo Peroni 400-402  
IT-00131 ROMA  
Tel: +39 (0) 6 87426211  
Fax: +39 (0) 6 87426222  
E-mail: Italy.promo@arjohuntleigh.com

**NEDERLAND**

ArjoHuntleigh Nederland BV  
Biezenwei 21  
4004 MB TIEL  
Postbus 6116  
4000 HC TIEL  
Tel: +31 (0) 344 64 08 00  
Fax: +31 (0) 344 64 08 85  
E-mail: info.nl@arjohuntleigh.com

**NEW ZEALAND**

ArjoHuntleigh Ltd  
41 Vestey Drive  
Mount Wellington  
NZ-AUCKLAND 1060  
Tel: +64 (0) 9 573 5344  
Free Call: 0800 000 151  
Fax: +64 (0) 9 573 5384  
E-mail: nz.info@ArjoHuntleigh.com

**NORGE**

ArjoHuntleigh Norway AS  
Olaf Helsets vei 5  
N-0694 OSLO  
Tel: +47 22 08 00 50  
Faks: +47 22 08 00 51  
E-mail:  
no.kundeservice@arjohuntleigh.com

**ÖSTERREICH**

ArjoHuntleigh GmbH  
Dörrstrasse 85  
AT-6020 INNSBRUCK  
Tel: +43 (0) 512 204 160 0  
Fax: +43 (0) 512 204 160 75

**POLSKA**

ArjoHuntleigh Polska Sp. z o.o.  
ul. Ks Piotra Wawrzyniaka 2  
PL-62-052 KOMORNIKI (Poznan)  
Tel: +48 61 662 15 50  
Fax: +48 61 662 15 90  
E-mail: arjo@arjohuntleigh.com

**PORTUGAL**

ArjoHuntleigh em Portugal  
MAQUET Portugal, Lda. (Distribuidor Exclusivo)  
Rua Poeta Bocage n.º 2 - 2G  
PT-1600-233 Lisboa  
Tel: +351 214 189 815  
Fax: +351 214 177 413  
E-mail: Portugal@arjohuntleigh.com

**SUISSE / SCHWEIZ**

ArjoHuntleigh AG  
Fabrikstrasse 8  
Postfach  
CH-4614 HÄGENDORF  
Tél/Tel: +41 (0) 61 337 97 77  
Fax: +41 (0) 61 311 97 42

**SUOMI**

Oy Vestek AB  
Martinkuja 4  
FI-02270 ESPOO  
Puh: +358 9 8870 120  
E-mail: info@vestek.fi

**SVERIGE**

ARJO Scandinavia AB  
Hans Michelsensgatan 10  
SE-211 20 MALMÖ  
Tel: +46 (0) 10 494 7760  
Fax: +46 (0) 10 494 7761  
E-mail: kundservice@arjohuntleigh.com

**UNITED KINGDOM**

ArjoHuntleigh UK  
ArjoHuntleigh House  
Houghton Hall Park  
Houghton Regis  
UK-DUNSTABLE LU5 5XF  
Tel: +44 (0) 1582 745 700  
Fax: +44 (0) 1582 745 745  
E-mail: sales.admin@arjohuntleigh.com

**USA**

ArjoHuntleigh Inc.  
2349 W Lake Street Suite 250  
US-Addison, IL 60101  
Tel: +1 630 307 2756  
Free: +1 800 323 1245 Institutional  
Free: +1 800 868 0441 Home Care  
Fax: +1 630 307 6195  
E-mail: us.info@arjohuntleigh.com

REV 15: 02/2015

---

## GETINGE GROUP

**Getinge Group** is a leading global provider of products and systems that contribute to quality enhancement and cost efficiency within healthcare and life sciences. We operate under the three brands of **ArjoHuntleigh**, **Getinge** and **Maquet**. **Getinge** provides solutions for infection control within healthcare and contamination prevention within life sciences. **Maquet** specializes in solutions, therapies and products for surgical interventions, interventional cardiology and intensive care.

---

## ARJOHUNTLEIGH

GETINGE GROUP

ArjoHuntleigh focuses on patient handling and hygiene, disinfection, DVT prevention, medical beds, therapeutic surfaces and diagnostics.



ArjoHuntleigh AB  
Hans Michelsensgatan 10  
211 20 Malmö, Sweden  
[www.arjohuntleigh.com](http://www.arjohuntleigh.com)

