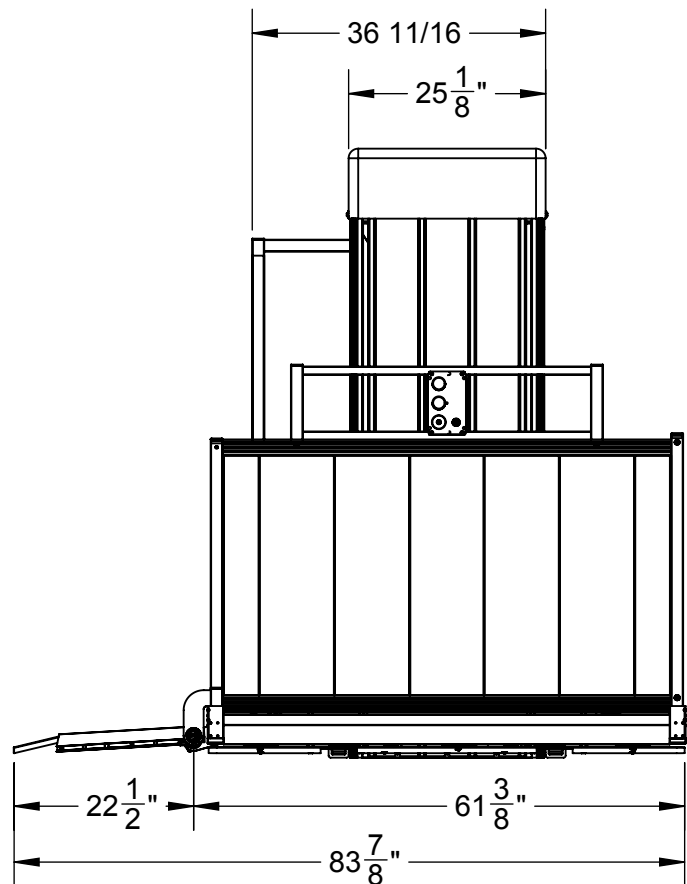
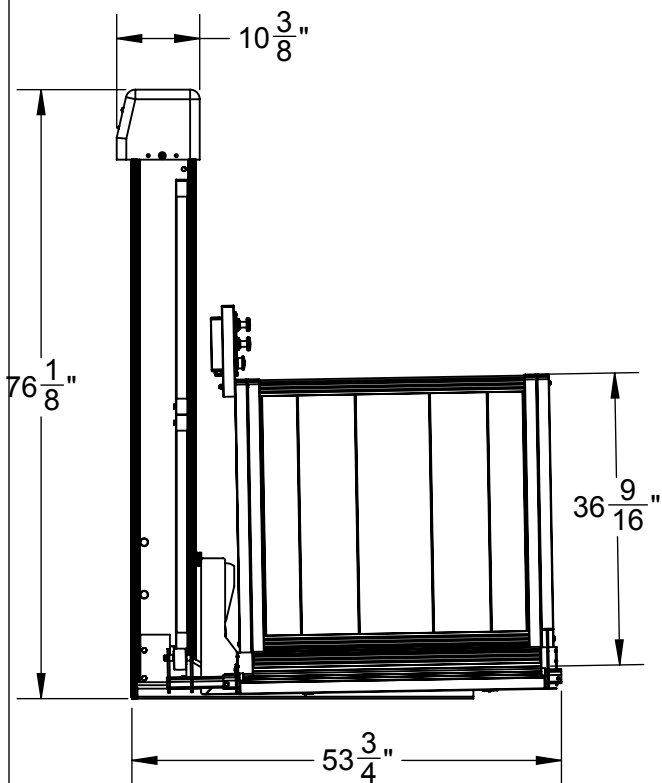
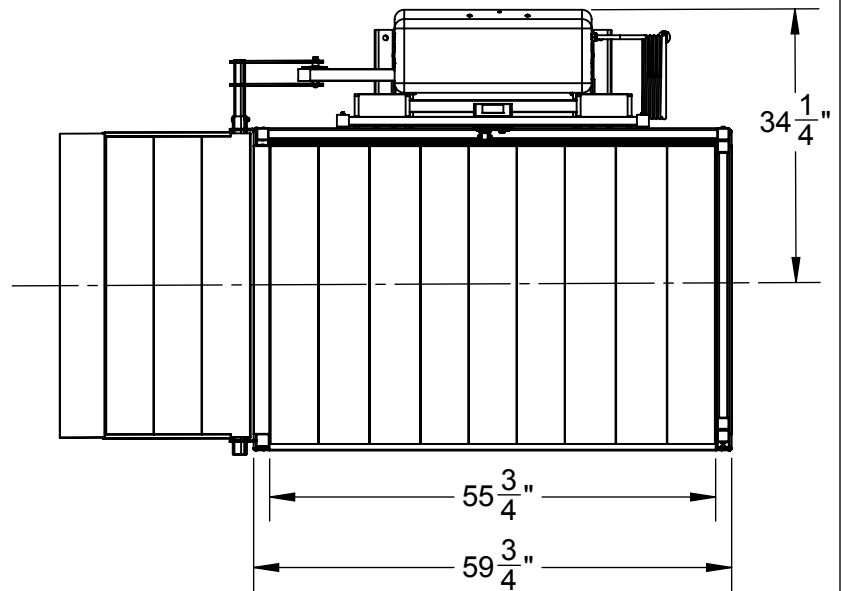


Model Number	PL52SP3860
Lifting Height	52"
Weight Capacity	750 lbs.
Unit Weight	376 lbs.
Platform Usable Size (L x W)	59 3/4" x 38"
Warranty	2-year



TITLE: PASSPORT 52 INCH RESIDENTIAL LIFT WITH TURN PLATFORM

SIZE
A

SCALE: 1:24

REV A

SHEET 1 OF 1



PROPRIETARY AND CONFIDENTIAL

© EZ-ACCESS®, A DIVISION OF HOMECARE PRODUCTS, INC. ALL RIGHTS RESERVED. ALL TEXT AND IMAGES CONTAINED IN THIS DOCUMENT ARE PROPRIETARY AND MAY NOT BE SHARED, MODIFIED, DISTRIBUTED, REPRODUCED, OR REUSED WITHOUT THE EXPRESS WRITTEN PERMISSION OF EZ-ACCESS.