



# **V-1504**

## **Vertical Platform Lift**



# **PARTS CATALOGUE**

**Part No. 000870**  
**04-m12-2018**

---

## **Revision History**

June 4, 2012 - Initial release  
November 7, 2012 - Revised page 117  
May 12, 2015 - Revised page 131  
August 18, 2015 - Revised page 32  
September 4, 2015 - Revised page 36  
September 16, 2015 - Removed Commander operator swing-out parts (originally pages 147-149)  
October 27, 2015 - Added P/Ns for complete Up and Down valves (24V) on page 36  
November 18, 2015 -- Revised P/Ns for manifold assemblies on page 37; Revised P/N for LIGHT\_EM LED STRIP 24V (item 3 on pages 98 and 100)  
December 2, 2015 - Revised P/Ns on pages 35 (controller) and 36 (pumps)  
January 22, 2016 - Added P/Ns for cylinder seals on page 5  
February 17, 2016 - Revised back page - Savaria Corporation to Savaria Concord Lifts, Inc.  
February 23, 2016 - Added new manual lowering assembly on page 15  
September 15, 2016 - Revised part number in bottom drawing on page 105  
April 10, 2017 - Added part number for Maxglide 4oz bottle on page 115  
May 30, 2017 - Added part number for cylinder head pin, item 8 to table on page 17  
October 11, 2017 - Added new P/N G6813102245, Hardware Kit for Manual Pro-Door on pages 140, 142 and 144  
November 17, 2017 - Revised Note next to obsolete cylinders on page 11  
August 1, 2018 - Added run pendant P/Ns on page 123  
December 4, 2018 - Added NOTE in cylinder table on page 11

## **V-1504 Vertical Platform Lift Parts Catalogue**

Part No. 000870

Copyright © 2018  
Savaria Concord Lifts, Inc.  
All rights reserved

Printed in Canada

# Contents

<b>Back panels</b> .....	<b>8</b>
Back panel assemblies .....	8
Back panel H/W kit - 243240 .....	8
<b>Tower assembly</b> .....	<b>9</b>
Pillar assembly (small cylinder) - 320655 .....	10
Cylinder .....	11
Cylinder seals .....	12
Clamp assemblies .....	12
Cylinder support shim 1/16" - V0100121 .....	13
Cylinder support shim 1/8" - V0100122 .....	13
Cylinder support shim 1/4" - V0100123 .....	13
Cylinder support shim 3/16" - V0100124 .....	13
Base legs for tower - 242864, 242865 .....	14
Base leg H/W kit (legs to tower) - 320700 .....	14
Anchor kit (base legs to concrete floor) - 207125 .....	15
Slotted shim (base legs to floor) - 320651 .....	15
Anchor kit (tower to concrete wall) - 207125 .....	15
Tower shim (tower to wall) - 247428 .....	15
Lag bolt kit (for tower to drywall) - 207124 .....	16
Through bolt rod kit (for tower to drywall) - 200181 .....	16
Through bolt hardware kit (for tower to drywall) - 207042 .....	16
Shoring pin - 105758 .....	16
Shoring pin attachment H/W .....	16
Yoke (cylinder head) assembly - 320653 .....	17
Yoke guide assembly, LH - V0110002 .....	18
Yoke guide assembly, RH - V0110003 .....	18
Turnbuckle assembly - 320654 .....	19
Bracket-spring assembly (for cable) - 320658 .....	20
Manual lowering cable assembly - 320689 .....	21
Manual lowering box assembly (OLD) - V01-0901 .....	22
Manual lowering box assembly (NEW) - C4690045-ASSY .....	22
Manual lowering kit - 243234 .....	22
Safety wheel kit - 320603 .....	23
Pit switch - 105117 .....	24
Spreader assembly skates - 320657 .....	25
Spreader assembly skates - 320657 .....	26
Left hand skate wheel assembly - 320668 .....	27
Left hand skate wheel assembly - 320668 .....	28
Left hand skate safety assembly - 320686 .....	29
Right hand skate wheel assembly - 320687 .....	30
Right hand skate wheel assembly - 320687 .....	31
Right hand skate safety assembly - 320685 .....	32
Final stopper assembly - 320659 .....	33
Triangle bracket (to secure unanchored tower to wall) - 243702 .....	34
U bracket (to secure unanchored tower to wall) - 245624 .....	34
Triangle or U-bracket H/W kit - 320727 .....	35
<b>Limit switches</b> .....	<b>36</b>
Limit switch harnesses/cables .....	36
Limit switch, blue - 320690 .....	37
Limit switch, grey - 320691 (non-public Canada only) .....	38
Bottom switch assembly - 320617 (public Canada only) .....	39
Middle switch assembly - 320618 .....	40
Top switch assembly - 320619 .....	41

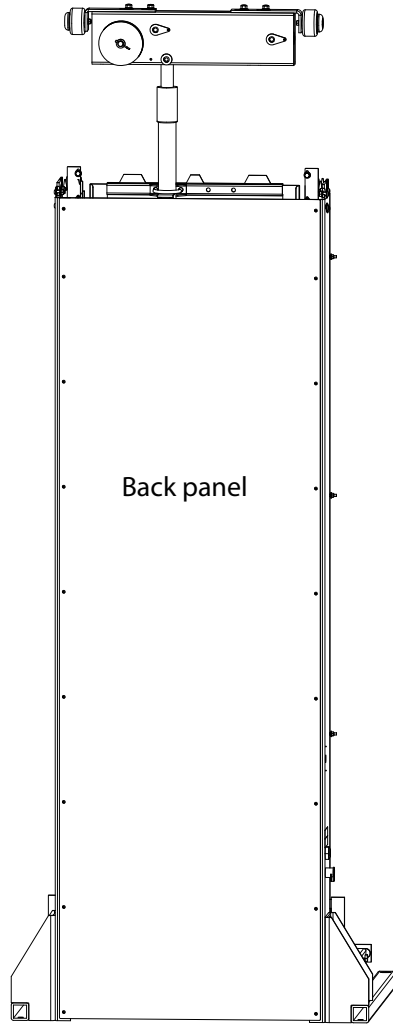
<b>Controller assembly</b> .....	<b>42</b>
Controller assemblies .....	42
Controller attachment kit - 320710 .....	42
<b>Hydraulics (new version)</b> .....	<b>43</b>
Pump assemblies .....	43
Manifold assembly 2" piston, 18 fpm - 109328 .....	44
Manifold assembly 1.5" piston, 16 fpm - 109329 .....	44
Hydraulic items .....	45
<b>Hydraulics (old version) - prior to 2011</b> .....	<b>47</b>
Pump assemblies .....	47
Hydraulics, 12V public USA, short hose - 320660 .....	48
Hydraulics, 110V public USA, short hose - 320661 .....	49
Hydraulics, 110V public BC, short hose - 320662 .....	50
Hydraulics, 110V residential, short hose - 320663 .....	52
Hydraulics, 12V residential, short hose - 320664 .....	53
Hydraulics, 110V public Canada, short hose - 320665 .....	54
<b>Tower extensions</b> .....	<b>55</b>
Tower extension assemblies .....	56
Tower extension H/W kit - 243231 .....	56
<b>Tower caps</b> .....	<b>57</b>
Tower cap - 242966 .....	57
Tower cap, ventilation - 242976 .....	57
Tower cap (old style plastic) - V01000178 (4-sided) or V0100205 (3-sided) .....	57
Tower cap H/W kit - 320702 .....	57
<b>Sling</b> .....	<b>58</b>
Sling assemblies .....	59
Sling bracket, COP wall - 242858 .....	60
Adjustable sling bracket - 242920 .....	60
Sling Z bracket - 321112 .....	60
Sling H/W kit - 320701 .....	61
Sling install kit - 320601 .....	61
Sling shim kit 3/8" - 320744 (for standard V-1504) .....	62
Sling shim kit 3/16" - 320745 (for enclosure only) .....	62
<b>Platform</b> .....	<b>63</b>
Platform assemblies .....	63
<b>Cab assembly</b> .....	<b>65</b>
Cab types .....	65
Control (COP) wall assemblies .....	66
Control (COP) wall H/W kit - 320705 .....	67
COP mounting bracket and H/W .....	67
Seat assembly - 320696 .....	68
Handrail assemblies .....	69
Handrail H/W kit - 320707 .....	69
Handrail zinc H/W kit - 320707-Z .....	69
Phone kit, on platform - 243617 .....	70
Outside wall ( .....	B-wall) assemblies 71
Outside wall (B-wall) H/W kit - 320704 .....	72
Outside wall (B-wall) flange and shims .....	72
Outside wall (B-wall) shim - 320645 .....	72
Outside wall (B-wall) shim, thick - 320645-T .....	72
Nib wall (narrow B-wall) assemblies .....	73
Nib wall (narrow B-wall) H/W kit - 320746 .....	74
Nib wall (narrow B-wall) flange .....	74

Entrance assemblies (outside B-wall) .....	75
B-entrance H/W kit - 320731 .....	75
End wall assemblies .....	76
Toe guards .....	76
End wall H/W kit - 320706 .....	76
Entrance H/W kit - 320730 .....	76
Light screen pair with PEM nuts - 320713 .....	77
Light screen H/W kit - 320712 .....	77
Light screen power supply - 301568 .....	78
Light screen power supply cover - 242960 .....	78
Plug kit - 320708 .....	79
Safety rod kit - 248651 .....	79
<b>Platform gate .....</b>	<b>80</b>
Platform gates, WR-500 lock .....	80
Platform gate H/W kit - 320732 .....	82
Platform gate harness .....	82
<b>Underpan.....</b>	<b>83</b>
Underpan assemblies .....	83
Underpan kit - 320739 .....	84
<b>Fixed ramp .....</b>	<b>85</b>
Fixed ramp assemblies .....	85
Anchor kit (ramp to floor) - 207125 .....	85
Plug kit 7/8 (for ramp) - 320747 .....	85
<b>Folding ramp (optional) .....</b>	<b>86</b>
Folding ramp assemblies .....	86
Folding ramp H/W kit - 320729 .....	86
Ramp brackets .....	86
Folding ramp, 36" opening, 16" deep - 320941-R, 320941-L .....	87
Folding ramp, 42" opening, 16" deep - 320945-R, 320945-L .....	88
Folding ramp, 36" opening, 24" deep - 320998-R, 320998-L .....	89
Folding ramp, 42" opening, 24" deep - 320999-R, 320999-L .....	90
B355 folding ramp kit - 320259-R, 320259 .....	91
Folding ramp cams .....	92
Base ramp cam H/W kit - 320711 .....	93
Extension ramp cam H/W kit - 320714 .....	93
<b>Wing walls .....</b>	<b>94</b>
Wing wall panels .....	95
Wing wall channels .....	96
Wing wall channel H/W kit - 320728 .....	96
Wing wall caps .....	97
Wing wall cap H/W kit - 320740 .....	97
<b>Service panels.....</b>	<b>98</b>
Service panels .....	98
Service panel H/W kit - 320703 .....	98
Pit channel service panel mounting bracket - 320774 .....	99
Service panel mounting bracket and clamp assemblies .....	100
Service panel mounting extension 46" - 320756 .....	101
Service panel mounting extension 70" - 320757 .....	102
Service panel mounting extension 94" - 320648 .....	103
<b>Car operating panel (COP) .....</b>	<b>104</b>
Car operating panels with big buttons .....	104
Car operating panels with big buttons .....	105
Car operating panels with standard buttons .....	106

<b>Hall calls (in frame) . . . . .</b>	<b>108</b>
Hall calls (in frame), up/down . . . . .	108
Hall calls (in frame), up/down . . . . .	109
Hall calls (in frame), call/send . . . . .	110
Hall calls (in frame), call send . . . . .	111
<b>Hall calls (flush remote) . . . . .</b>	<b>112</b>
Hall calls (flush remote) up/down . . . . .	112
Hall calls (flush remote) up/down . . . . .	113
Hall calls (flush remote) call/send . . . . .	114
<b>Hall calls (surface remote) . . . . .</b>	<b>116</b>
Hall calls (surface remote) up/down . . . . .	116
Hall calls (surface remote) up/down . . . . .	117
Hall calls (surface remote) call/send . . . . .	118
Hall calls (surface remote) call/send . . . . .	119
Hall calls (surface remote) 3 stops . . . . .	120
Hall call (surface remote) 3 stops . . . . .	121
<b>Miscellaneous items . . . . .</b>	<b>122</b>
Documents . . . . .	122
Keys, tools, paint . . . . .	122
Battery . . . . .	122
Harnesses . . . . .	123
Run pendants with stop switch . . . . .	123
<b>Door Locks – WR-500 . . . . .</b>	<b>124</b>
WR-500 lock, left hand assembly - 320267-L (for flush doors) . . . . .	124
WR-500 lock, left hand assembly, wooden door - 321089-LW . . . . .	124
WR-500 beak, left hand assembly, wooden door - 321087-LW . . . . .	125
WR-500 lock, right hand assembly - 320267-R (for flush doors) . . . . .	126
WR-500 lock, right hand assembly, wooden door - 321089-RW . . . . .	126
WR-500 beak, right hand assembly, wooden door - 321087-RW . . . . .	127
<b>Door locks – PORTA . . . . .</b>	<b>128</b>
PORTA lock kit, left hand - 222614 . . . . .	128
PORTA lock kit, right hand - 222615 . . . . .	128
<b>Door locks – PRO-EMI . . . . .</b>	<b>129</b>
PRO-EMI lock kit, left hand - 221456 . . . . .	129
PRO-EMI lock kit, right hand - 221457 . . . . .	129
Emergency access key (PORTA, PRO-EMI) - 300878 . . . . .	130
Landing side access plate (PORTA, PRO-EMI) - 227588-S . . . . .	130
Hoistway side access plate (PORTA, PRO-EMI) - 227858-S . . . . .	130
<b>Door locks – PRO . . . . .</b>	<b>131</b>
Firepro PRO lock, left hand - 211199 . . . . .	131
Firepro PRO lock, right hand - 211200 . . . . .	132
PRO lock striker assembly - 205270 . . . . .	133
<b>Door locks – GAL . . . . .</b>	<b>134</b>
GAL lock kit, left hand - 321095-L . . . . .	134
GAL lock left hand cover - 248401-L . . . . .	134
GAL lock emergency key, hall side - 101575 . . . . .	134
GAL lock, left hand assembly - 248418-L . . . . .	135
Left hand GAL interlock - 106084-L . . . . .	135
GAL lock kit, right hand - 321095-R . . . . .	136
GAL lock left hand cover - 248401-R . . . . .	136
GAL lock emergency key, hall side - 101575 . . . . .	136
GAL lock, right hand assembly - 248418-R . . . . .	137
Right hand GAL interlock - 106084-R . . . . .	137

GAL roller cam - 320751 .....	138
GAL internal parts .....	138
<b>Door locks – electric strike .....</b>	<b>139</b>
Electric strikes .....	139
<b>Landing doors (2012 versions) .....</b>	<b>140</b>
Pro-doors (manual) with pro-locks .....	140
Pro-doors (auto) with pro-locks .....	141
Pro-doors (manual) with GAL locks .....	142
Pro-doors (auto) with GAL/ES locks .....	143
Pro-doors (manual) with WR-500 locks .....	144
Pro-doors (auto) with WR-500/ES locks .....	145
<b>Landing doors (versions discontinued as of 2012) .....</b>	<b>146</b>
PRO manual landing doors (discontinued as of 2012) .....	146
PRO auto landing doors (discontinued as of 2012) .....	146
Manual landing doors with GAL locks (discontinued as of 2012) .....	146
Auto landing doors with GAL locks (discontinued as of 2012) .....	147
Manual landing doors with WR-500 locks (discontinued as of 2012) .....	147
Auto landing doors with WR-500 locks (discontinued as of 2012) .....	147
<b>Door operators – pro auto .....</b>	<b>148</b>
Pro auto door operator III, right hand swing - 300697 .....	148
Pro auto door operator III, right hand swing - 300697 .....	149
Pro auto door operator III, left hand swing - 300698 .....	151
Pro auto door operator III, left hand swing - 300698 .....	152
<b>Door operators – Commander .....</b>	<b>154</b>
Commander door operator, right hand, swing in - 300994 .....	154
Commander right hand, swing in arm/linkage - 300699 .....	155
Commander door operator, left hand, swing in - 300996 .....	156
Commander left hand, swing in arm/linkage - 300700 .....	157

## Back panels



### Back panel assemblies

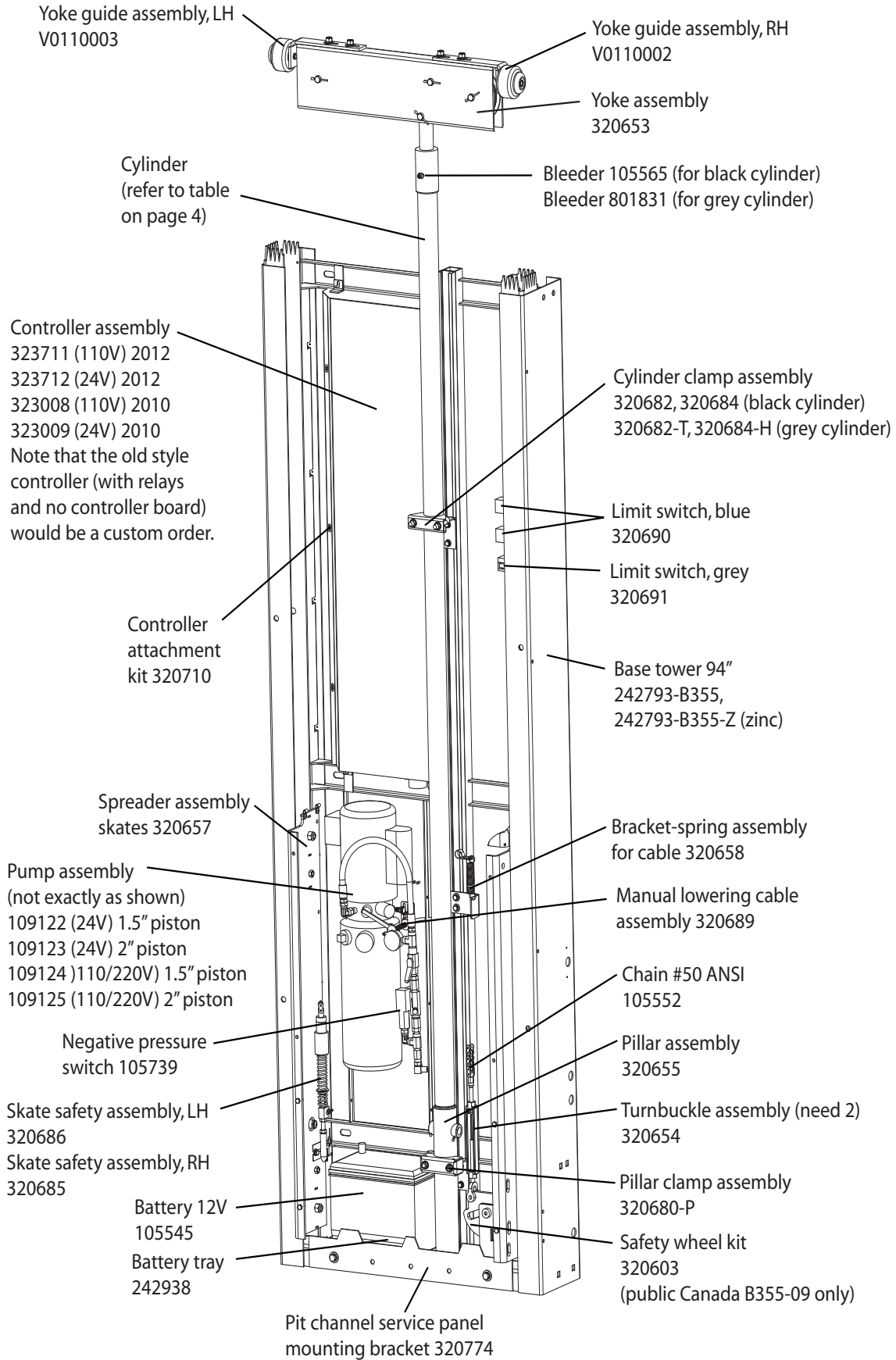
Part number	Description
320720	BACK PANEL, 10" EXTENSION
320721	BACK PANEL, 22" EXTENSION
320722	BACK PANEL, 46" EXTENSION
320723	BACK PANEL, 70" EXTENSION
320724	BACK PANEL, 94" EXTENSION
320725	BACK PANEL, BASE TOWER

### Back panel H/W kit - 243240

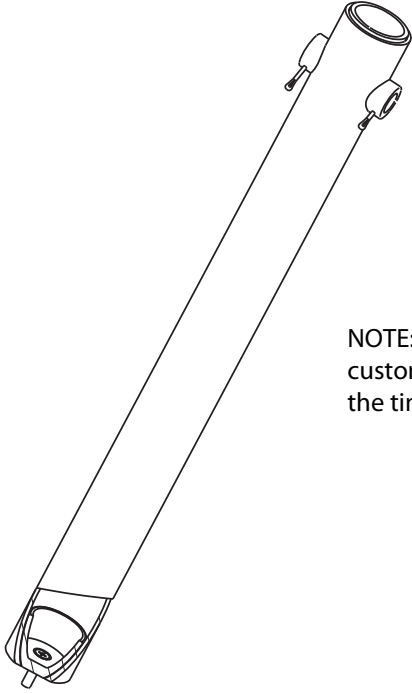
Part number	Description
105582	SCRW_SLF DRILL 8-18 #2 DRV 3/4



# Tower assembly

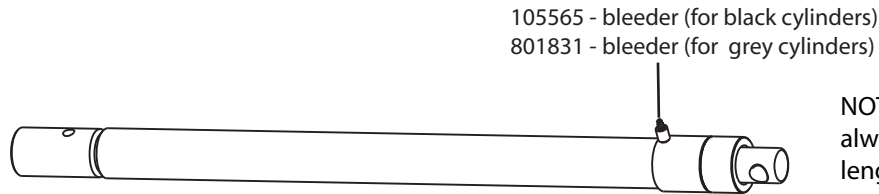


---

**Pillar assembly (small cylinder) - 320655**

NOTE: The pillar length will always be custom. Please specify the length at the time of ordering.

## Cylinder



NOTE: The pre-extension length will always be custom. Please specify the length at the time of ordering.

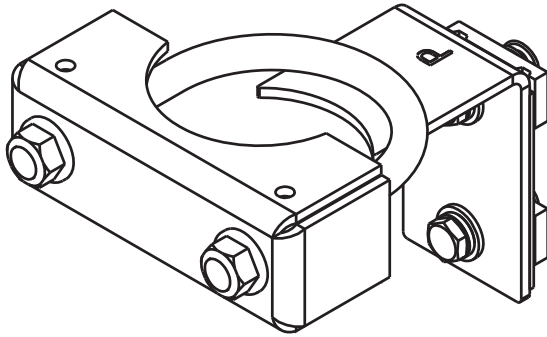
NOTE: If you are replacing an older cylinder on a unit produced in Montreal, you need to order a custom cylinder. Units produced in Montreal will have a 4 or 5 digit job number, instead of 6. For units produced in Brampton, you need to order a 3" smaller pillar with the new cylinder and a new cylinder bracket.

Part number	Description	Notes
105567	CYLINDER_36"	Black cylinders (prior to 2012) NOW OBSOLETE - SEE NOTE IN DWG ABOVE
105568	CYLINDER_48"	
105569	CYLINDER_60"	
105570	CYLINDER_72"	
105571	CYLINDER_84"	
105572	CYLINDER_96"	
105573	CYLINDER_120"	
105574	CYLINDER_144"	
106396	CYLINDER_156"	
242294-T	CYLINDER_HY 1.5" SHAFT 24" STROKE	<b>NOTE:</b> If replacing one of the black cylinders listed above, you will also need to order 3 new brackets (depending on cylinder size) as follows: 320682-T for cylinders 24" to 72" or 320684-H for cylinders 84" to 144".
242296-T	CYLINDER_HY 1.5" SHAFT 36" STROKE	
242298-T	CYLINDER_HY 1.5" SHAFT 48" STROKE	
242300-T	CYLINDER_HY 1.5" SHAFT 60" STROKE	
242302-T	CYLINDER_HY 1.5" SHAFT 72" STROKE	
242304-T	CYLINDER_HY 2" SHAFT 84" STROKE	
242978	CYLINDER_HY 2" SHAFT 96" STROKE	
242979	CYLINDER_HY 2" SHAFT 108" STROKE	
242980	CYLINDER_HY 2" SHAFT 120" STROKE	
242981	CYLINDER_HY 2" SHAFT 132" STROKE	
242982	CYLINDER_HY 2" SHAFT 144" STROKE	
105565	BLEEDER_CYLINDER	
801831	BLEEDER_T-CYLINDER	
320693	PIPE_PRE EXTN 2" CYL	
320694	PIPE_PRE EXTN 2.5" CYL	

## Cylinder seals

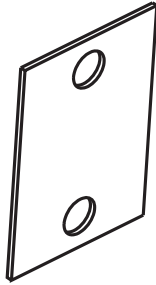
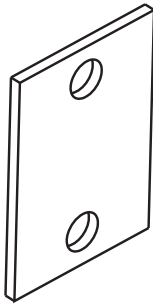
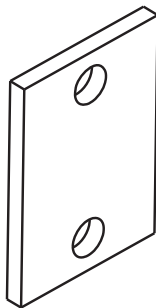
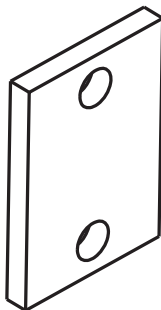
Part number	Description
801469	SEAL_KIT 1.5" SHAFT (GREY CYLINDER)
801466-P	SEAL_KIT 2.0" SHAFT (GREY CYLINDER)
301563	SEAL_KIT 1.5" SHAFT (BLACK CYLINDER)
301564	SEAL_KIT 2.0" SHAFT (BLACK CYLINDER)

## Clamp assemblies

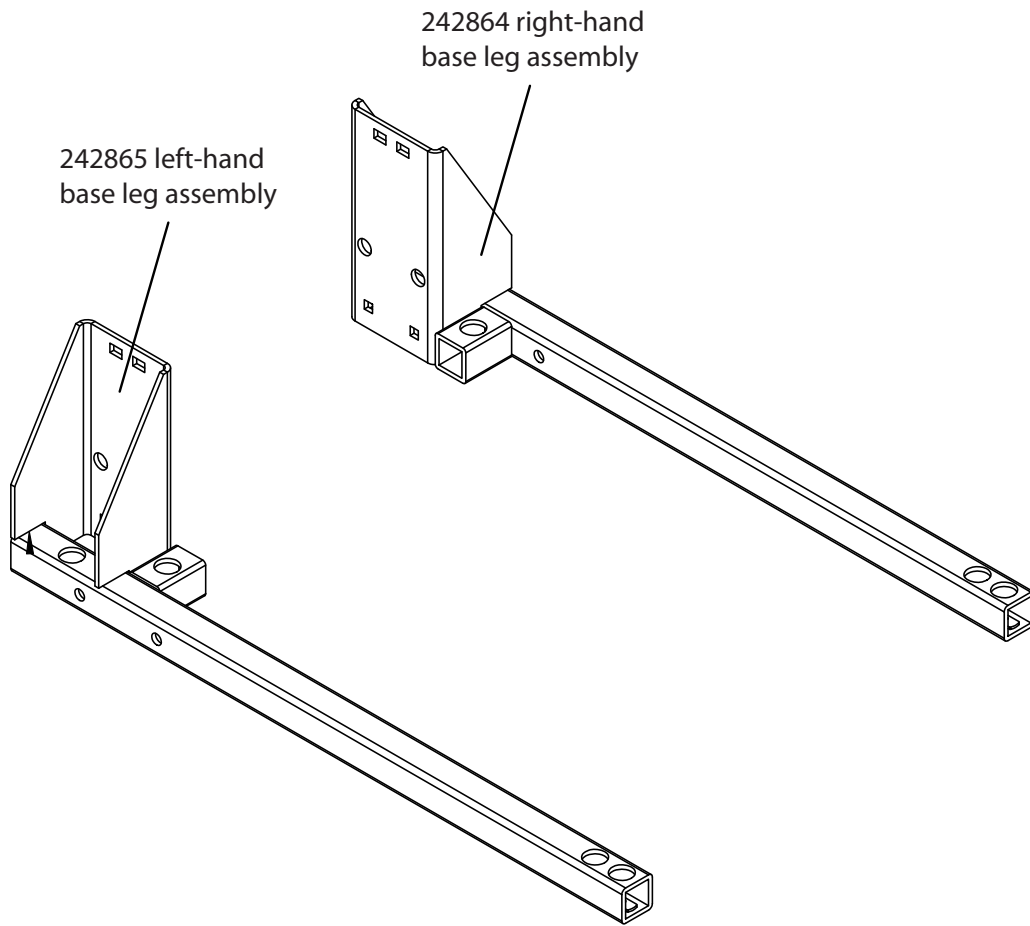


Part number	Description
320680-P	CLAMP_PILLAR CAP/BRKT ASSY 2"
320682	CLAMP_CAP CYL/BRKT ASSY 2"
320682-T	CLAMP_CAP CYL/BRKT ASSY 2.125"
320684	CLAMP_CAP CYL/BRKT ASSY 2.5"
320684-H	CLAMP_CAP CYL/BRKT ASSY 2.625"

---

**Cylinder support shim 1/16" - V0100121****Cylinder support shim 1/8" - V0100122****Cylinder support shim 1/4" - V0100123****Cylinder support shim 3/16" - V0100124**

## Base legs for tower - 242864, 242865



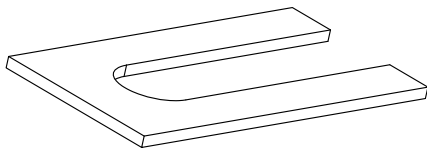
## Base leg H/W kit (legs to tower) - 320700

Part number	Description
102189-Y	WSHR_FLT 1/2 USS YLW ZINC
102193	WSHR_LCK 1/2
104765	CB_1/2 X 1 1/4 S/S
101106	NUT_HEX 1/2-13
105584	CAP_PLUG 1-1/4" RND BLK V-1504
101485	CAP_PLUG 1.75x1.75 SQR BLK

### Anchor kit (base legs to concrete floor) - 207125

Part number	Description
102251	ANCR_WEDGE 1/2 X 4 1/4
101106	NUT_HEX 1/2-13
102193	WSHR_LCK 1/2
104531	WSHR_FLT .56IDx1.375ODx.11ZNC
103023	BAG_SHIPPING 9 X 12 0.004 MIL

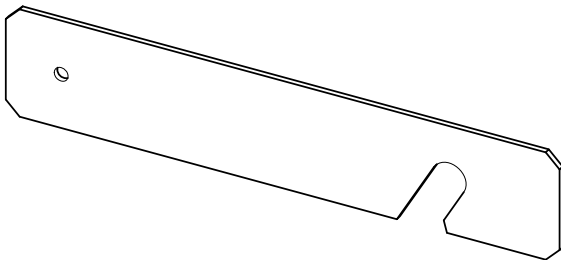
### Slotted shim (base legs to floor) - 320651



### Anchor kit (tower to concrete wall) - 207125

Part number	Description
102251	ANCR_WEDGE 1/2 X 4 1/4
101106	NUT_HEX 1/2-13
102193	WSHR_LCK 1/2
104531	WSHR_FLT .56IDx1.375ODx.11ZNC
103023	BAG_SHIPPING 9 X 12 0.004 MIL

### Tower shim (tower to wall) - 247428



### Lag bolt kit (for tower to drywall) - 207124

Part number	Description
100220	SCRW_LAG HH 1/2 x 3
102193	WSHR_LCK 1/2
104531	WSHR_FLT .56IDx1.375ODx.11ZNC
103023	BAG_SHIPPING 9 X 12 0.004 MIL

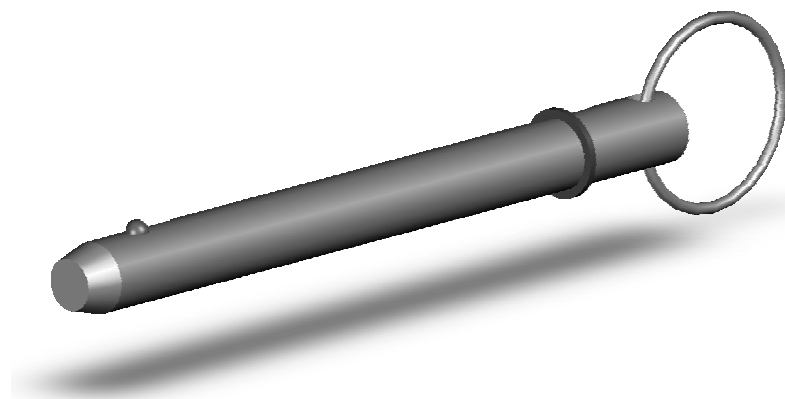
### Through bolt rod kit (for tower to drywall) - 200181

Part number	Description
200180	PLT_THRU-BOLT
101188	ROD_THD 1/2-13 x 36"

### Through bolt hardware kit (for tower to drywall) - 207042

Part number	Description
104531	WSHR_FLT .56IDx1.375ODx.11ZNC
102193	WSHR_LCK 1/2
101106	NUT_HEX 1/2-13

### Shoring pin - 105758

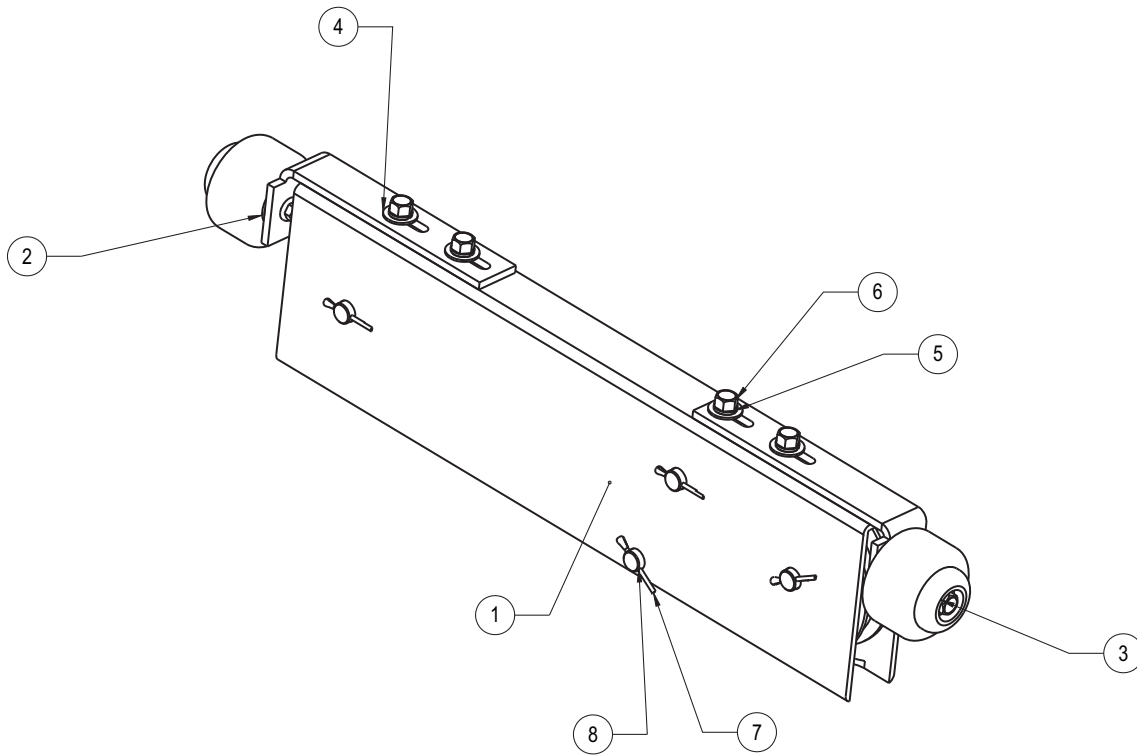


### Shoring pin attachment H/W

Item	Part number	Description
1	105794	SCRW_SM #14X1"SLF TAP HD

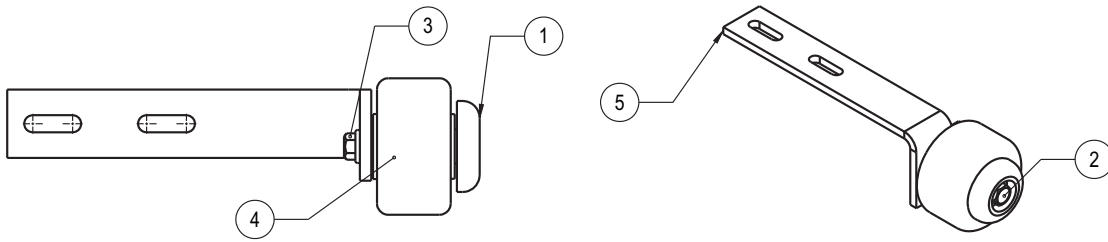


## Yoke (cylinder head) assembly - 320653



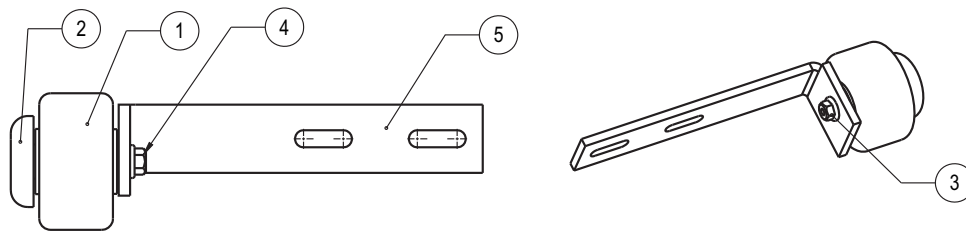
Item	Part number	Description
1	V0110036	CYL_HEAD ASSY
2	V0110002	GUIDE_YOKE ASSY LH
3	V0110003	GUIDE_YOKE ASSY RH
4	102188	WSHR_FLT 1/4 USS
5	102191	WSHR_LCK 1/4 MED SPLT ZNC
6	100171	HHCS_1/4-20 x 1 F/T
7	105476	NUT_SPNG STRUT LOCK 1/4-20
8	V0110058	PIN_CYLINDER HEAD

## Yoke guide assembly, LH - V0110002



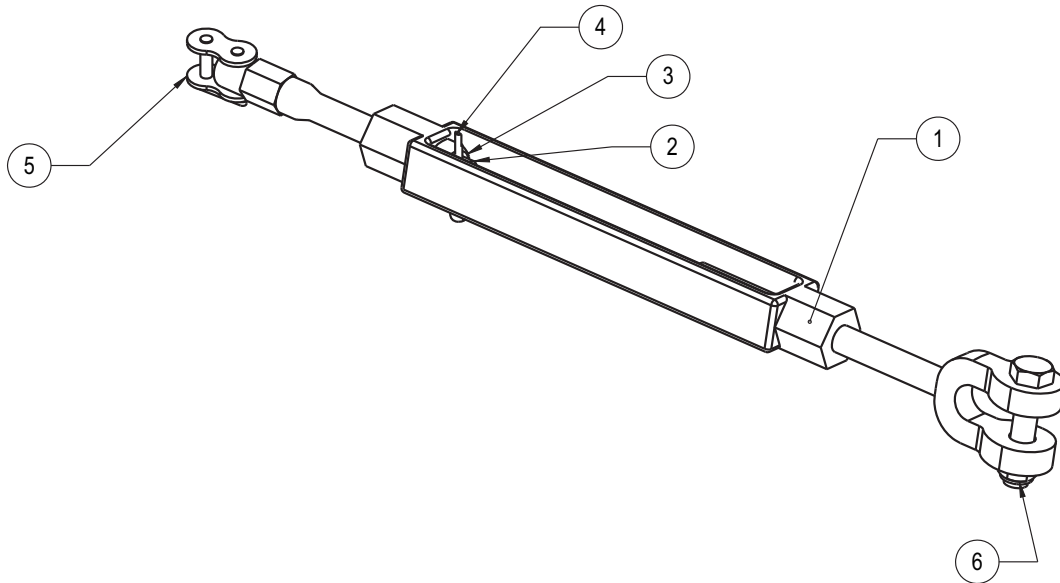
Item	Part number	Description
1	V01-0303	HEAD_WSHR FOR YOKE GUIDE
2	105478	BOLT_SHLDR 3/8-16 X 2 L X 1/2"
3	105474	NUT_FLANGE 1/4-20
4	MA2AB	WHEEL_3" PHENLC W/BRNG 3-3-319
5	V01-0302G	PLT_HDR YOKE GUIDE LH

## Yoke guide assembly, RH - V0110003



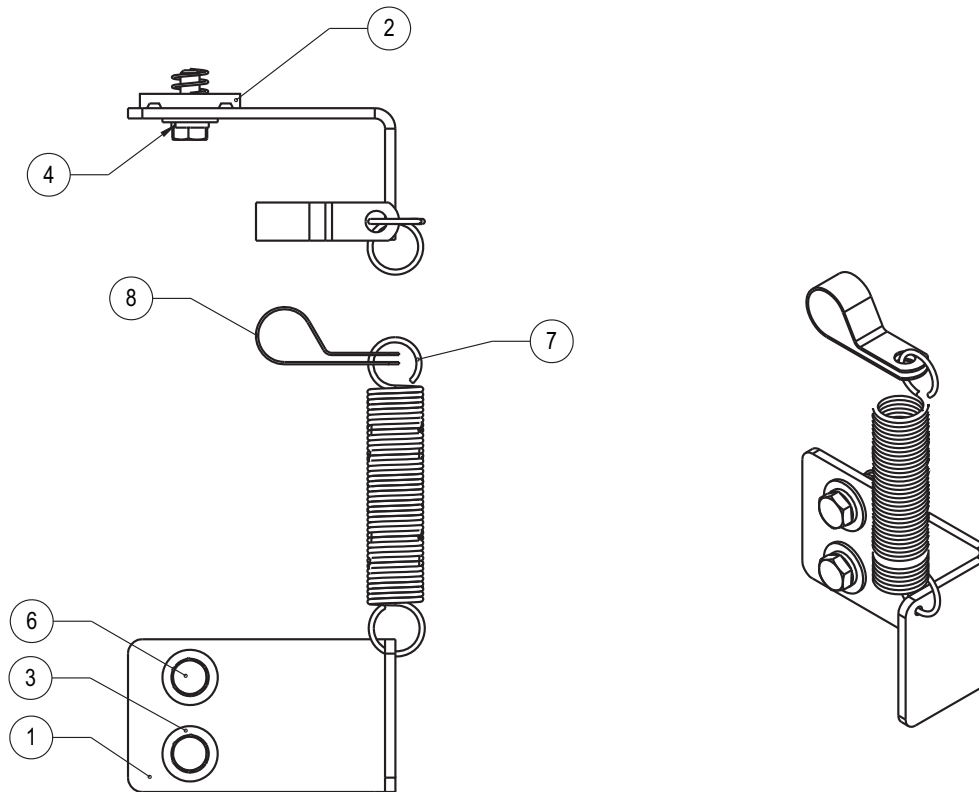
Item	Part number	Description
1	MA2AB	WHEEL_3" PHENLC W/BRNG 3-3-319
2	V01-0303	HEAD_WSHR FOR YOKE GUIDE
3	105478	BOLT_SHLDR 3/8-16 X 2 L X 1/2"
4	105474	NUT_FLANGE 1/4-20
5	V01-0302D	PLT_HDR YOKE GUIDE RH

## Turnbuckle assembly - 320654



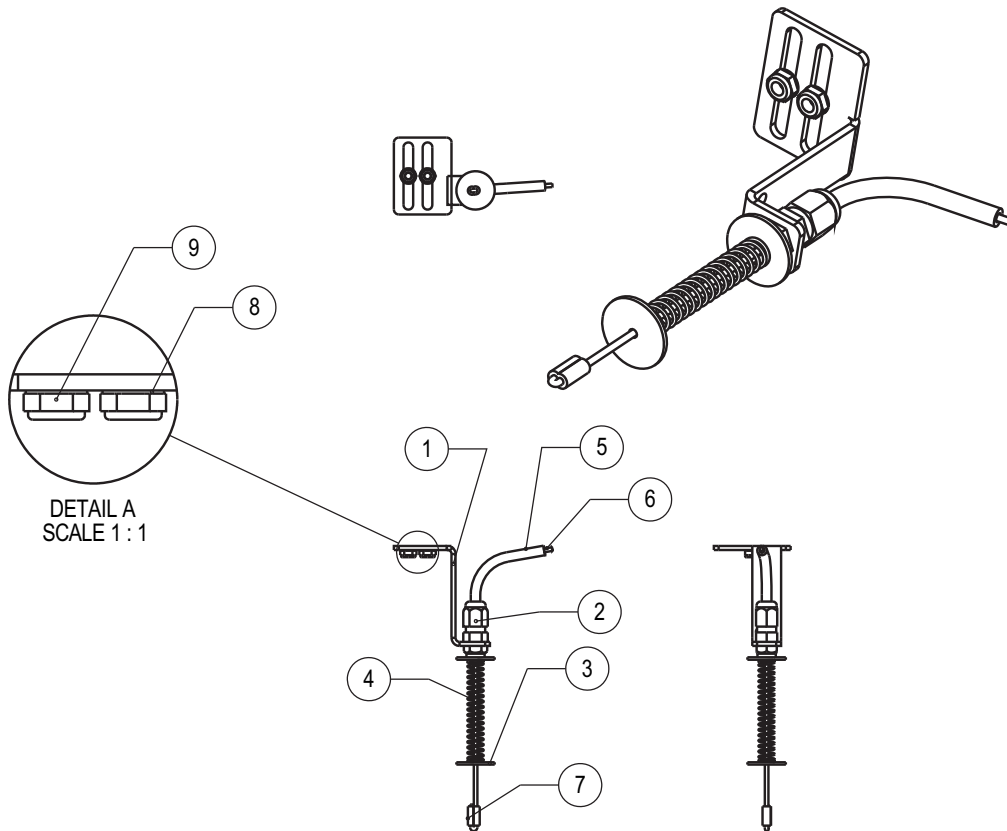
Item	Part number	Description
1	105554	TURNBUCKLE
2	V0100091	TENSIONER_CHAIN B07
3	102186	NUT_HEX 3/8-16
4	101059	PIN_COTTER 3/32 x 1
5	105553	CHAIN_CONN LINK #50 2 PIN
--	105552	CHAIN_#50 ANSI
6	102951	NUT_HEX 5/16-18 NYLOK
7	106787	NUT_HEX 3/8-16 LH

## Bracket-spring assembly (for cable) - 320658



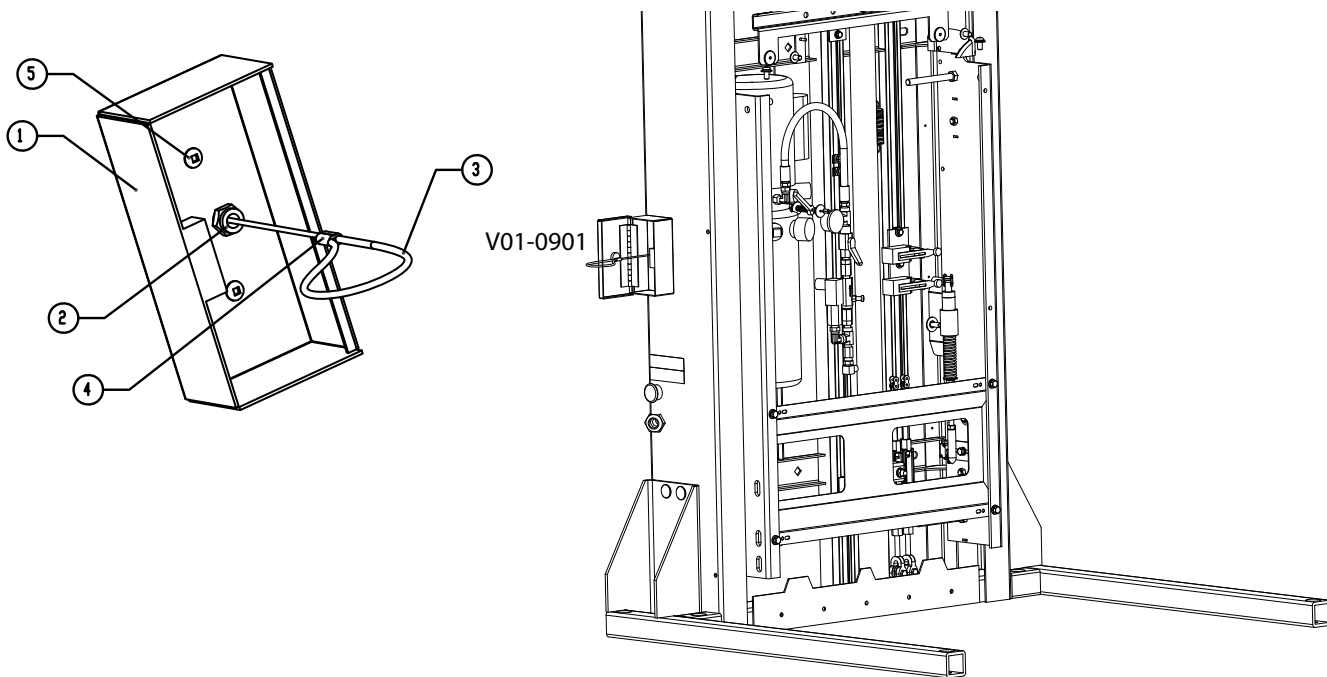
Item	Part number	Description
1	V0100203	ANGL_PLATE V1504
2	101097	NUT_SPNG STRUT LOCK 1/4-20
3	101196-Y	WSHR_FLT 1/4 USS YLW ZINC HRD
4	101213-Y	WSHR_LCK 1/4 YLW ZINC
5	101836	HHCS_1/4-20 x 3/4
6	105583	SPNG_EXT TRV CBL
7	105613	CLAMP_3/4" TUBE DIA .203"HOLE

## Manual lowering cable assembly - 320689



Item	Part number	Description
1	V0100017	SPRT_CBL MANUAL LWRNG
2	105544	STRN_RLF CON .114-.250" .492"D
3	V0100243	WSHR_FLT 1/8" X 1"OD 1/16"THK
4	V0100242	SPNG_COMP 2.670L .045D .422EXT
5	103157	CBL_CARRIER .09id X .188od
6	102791	CBL_WIRE ROPE .06sst rgb23"
7	101238	SLEEVE_CABLE 1/16 ALUM
8	101206	WSHR_FLT #8 SAE ZINC
9	104400	NUT_HEX 10-24 NYLOK S/S

## Manual lowering box assembly (OLD) - V01-0901



Item	Part number	Description
1	V01-0901	OLD MANUAL LOWERING BOX ASSEMBLY
2	105544	STRN_RLF CON .114-.250" .492"D
3	243307	TUBE_POLY 15"
4	105576	SLEEVE_CABLE 3/32 ALUM
5	105418	SCRW_SM PHR #8X3/4 BARE

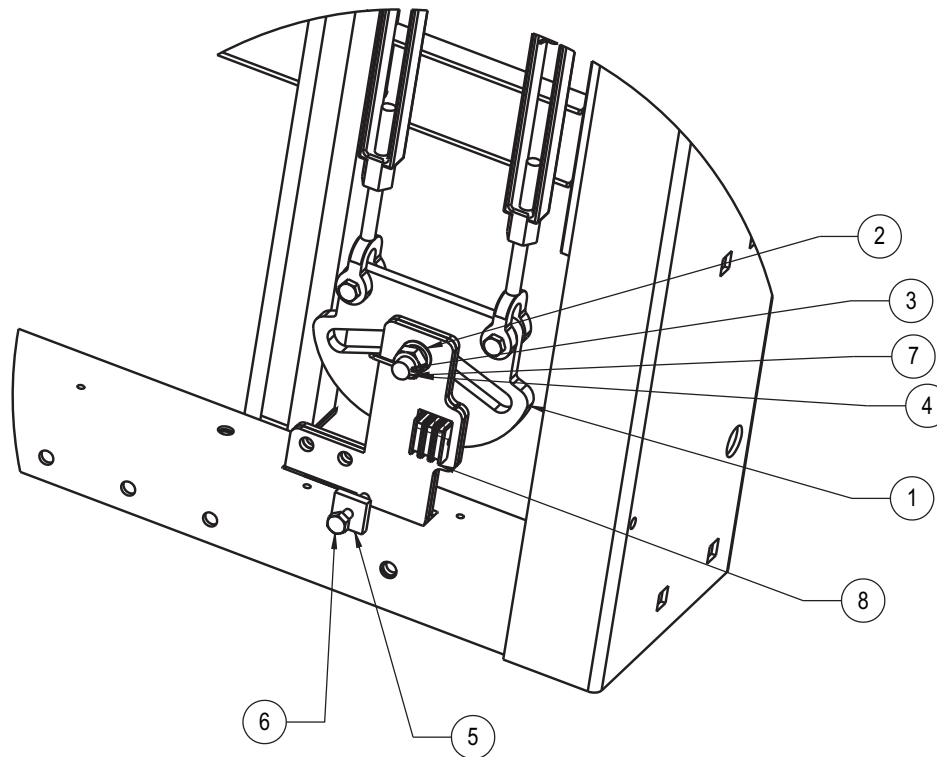
## Manual lowering box assembly (NEW) - C4690045-ASSY

Part number	Description
C4690045	NEW MANUAL LOWERING BOX ASSEMBLY
c4690042	NEW LOCK ASSEMBLY C626S-1-D

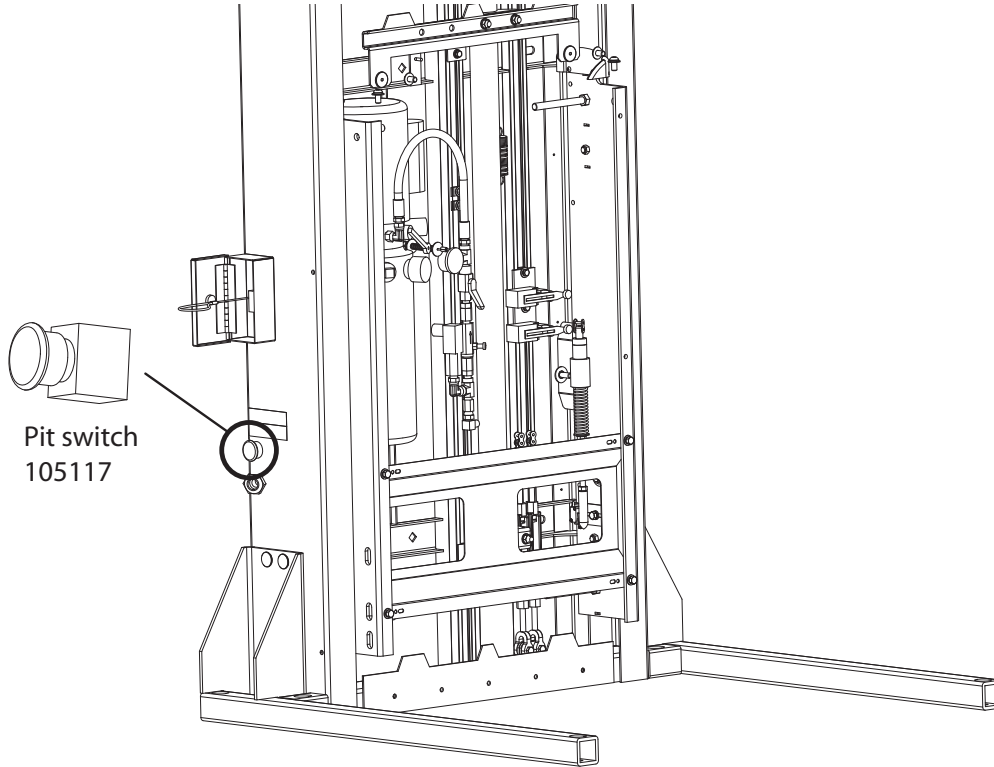
## Manual lowering kit - 243234

Part number	Description
101238	SLEEVE_CABLE 1/16 ALUM
105544	STRN_RLF CON .114-.250" .492"D
103157	CBL_CARRIER .09id X .188od
105418	SCRW_SM PHR #8X3/4 BARE

## Safety wheel kit - 320603

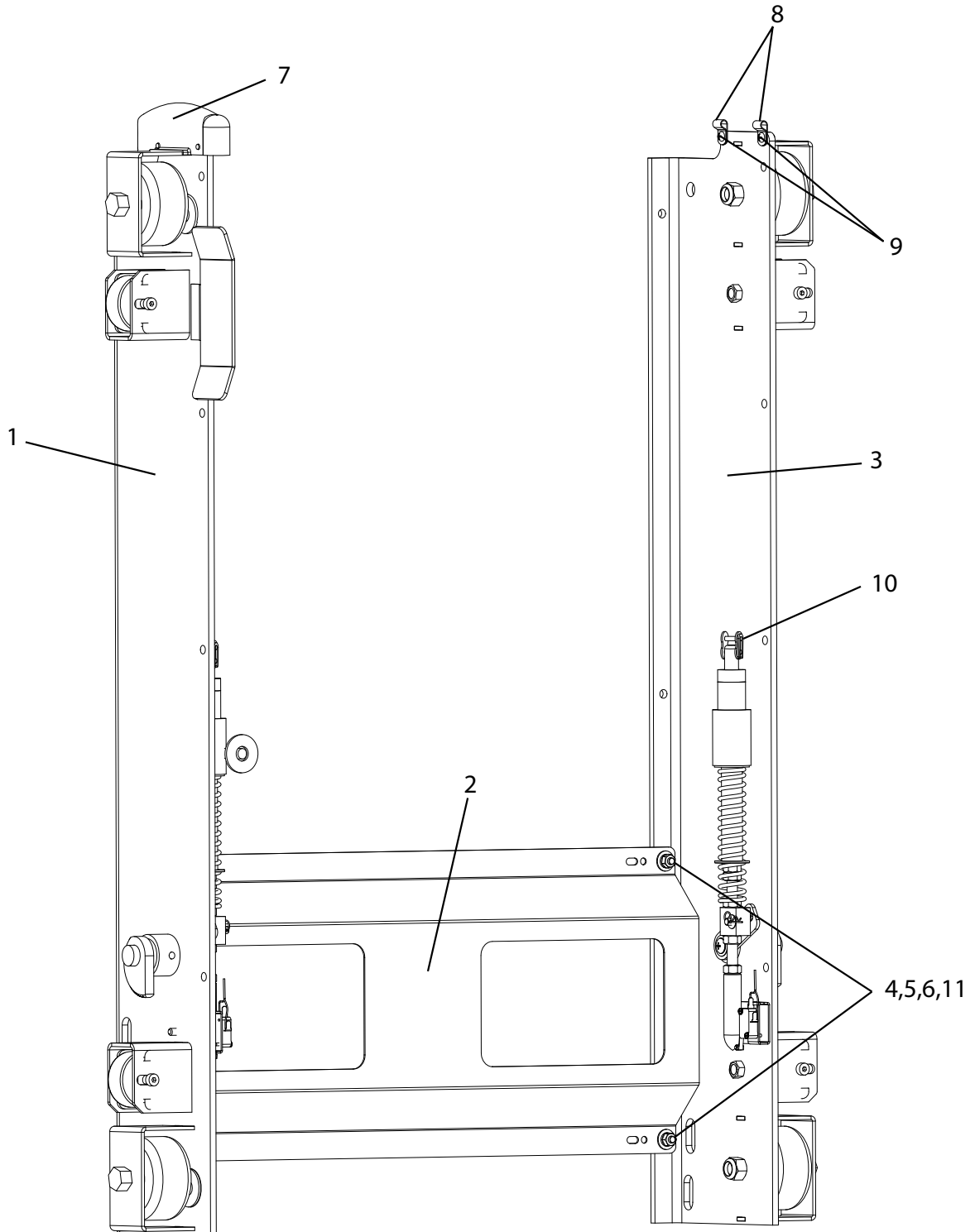


Item	Part number	Description
1	320600	SAFETIES_WHEEL V-1504 B355
2	103944	WSHR_FLT .656IDx.875ODx.031 THK
3	320277	SCRW_SHLDR 5/8"X1"X1/2-13 W/HL
4	105315-Y	NUT_HEX 1/2-13 JAM NYLK YLW ZN
5	320276	PLT_SFTY SET UP V1504 B355
6	102344-Y	HHCS_1/4-20 x1 1/4 YLW ZNC
7	101832	PIN_COTTER 1/8 x 1
8	105309	MAGNET_1.06 X .83
9	000778	BULLETIN_TECH SFTY BRK TST

**Pit switch - 105117**

Item	Part number	Description
1	320719	HRNS_SWITCH PIT

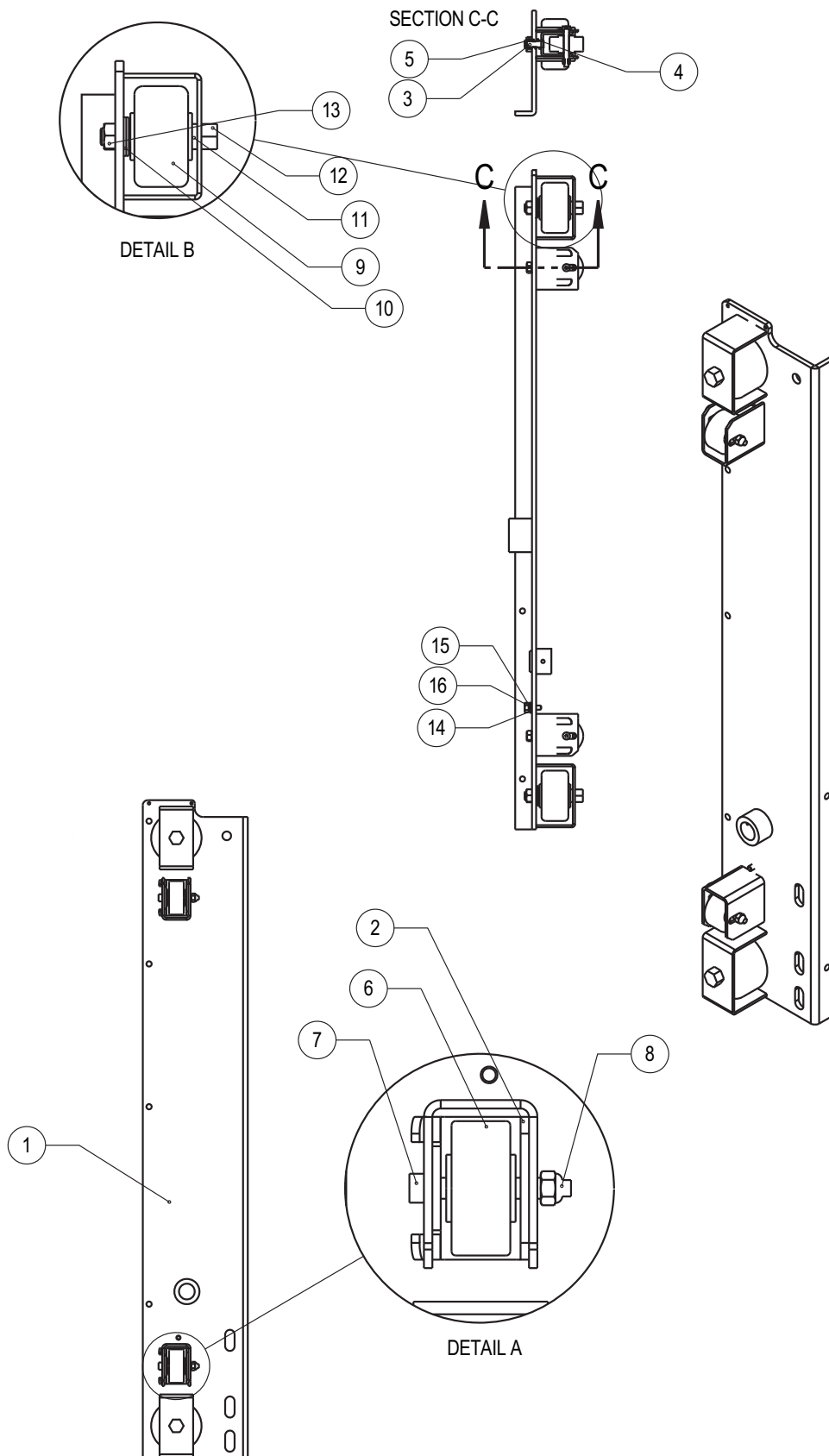


**Spreader assembly skates - 320657**

## Spreader assembly skates - 320657

Item	Part number	Description	Photo
1	242921	SKATE_V-1504 LH ASSY	
2	242860	SPRD_SKATE V-1504	
3	242924	SKATE_V-1504 RH ASSY	
4	101196-Y	WSHR_FLT 1/4 USS YLW ZINC HRD	
5	101213-Y	WSHR_LCK 1/4 YLW ZINC	
6	101836-Y	HHCS_1/4-20 X 3/4 YLW ZNC	
7	V0100240	CVR_NARROW WIRE FENCE BLK	
8	106317	CLAMP_1/4" COL CUSHION	
9	103179	MS_RH #10-24x0.50" PLPS ZNC	
10	105553	CHAIN_CONN LINK #50 2 PIN	
11	102205	NUT_HEX 1/4-20	
12	243168	HRNS_V1504 SLACK CHAIN	
13	V01-0207	BRKT_SFTY LIMIT SW HARNESS	
14	103116	SW_POS ACT W/RLLR BVM3FYR1	

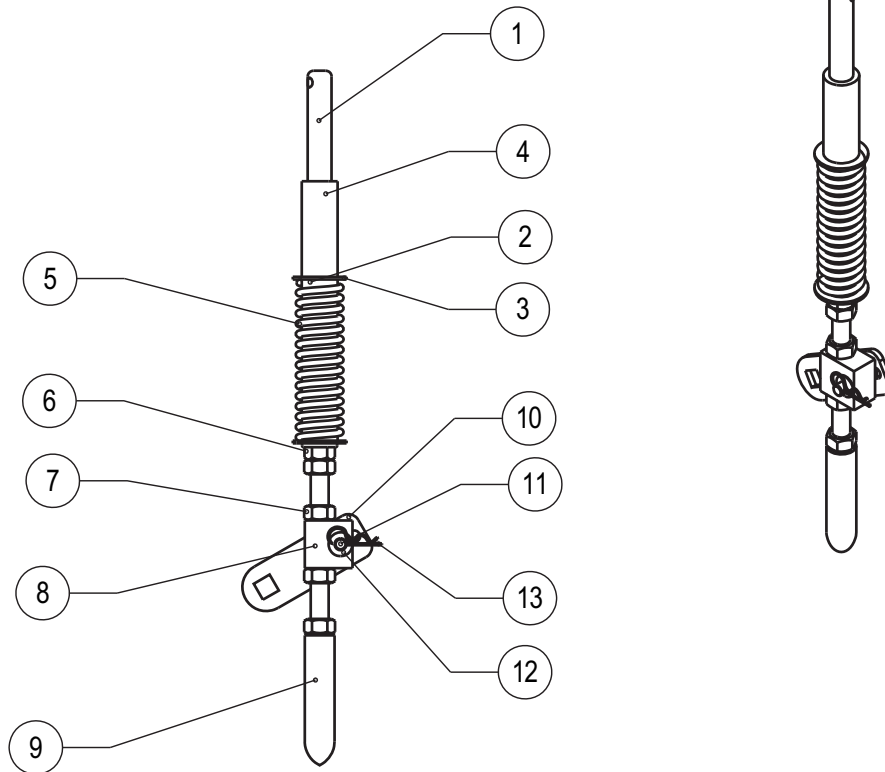
# Left hand skate wheel assembly - 320668



## Left hand skate wheel assembly - 320668

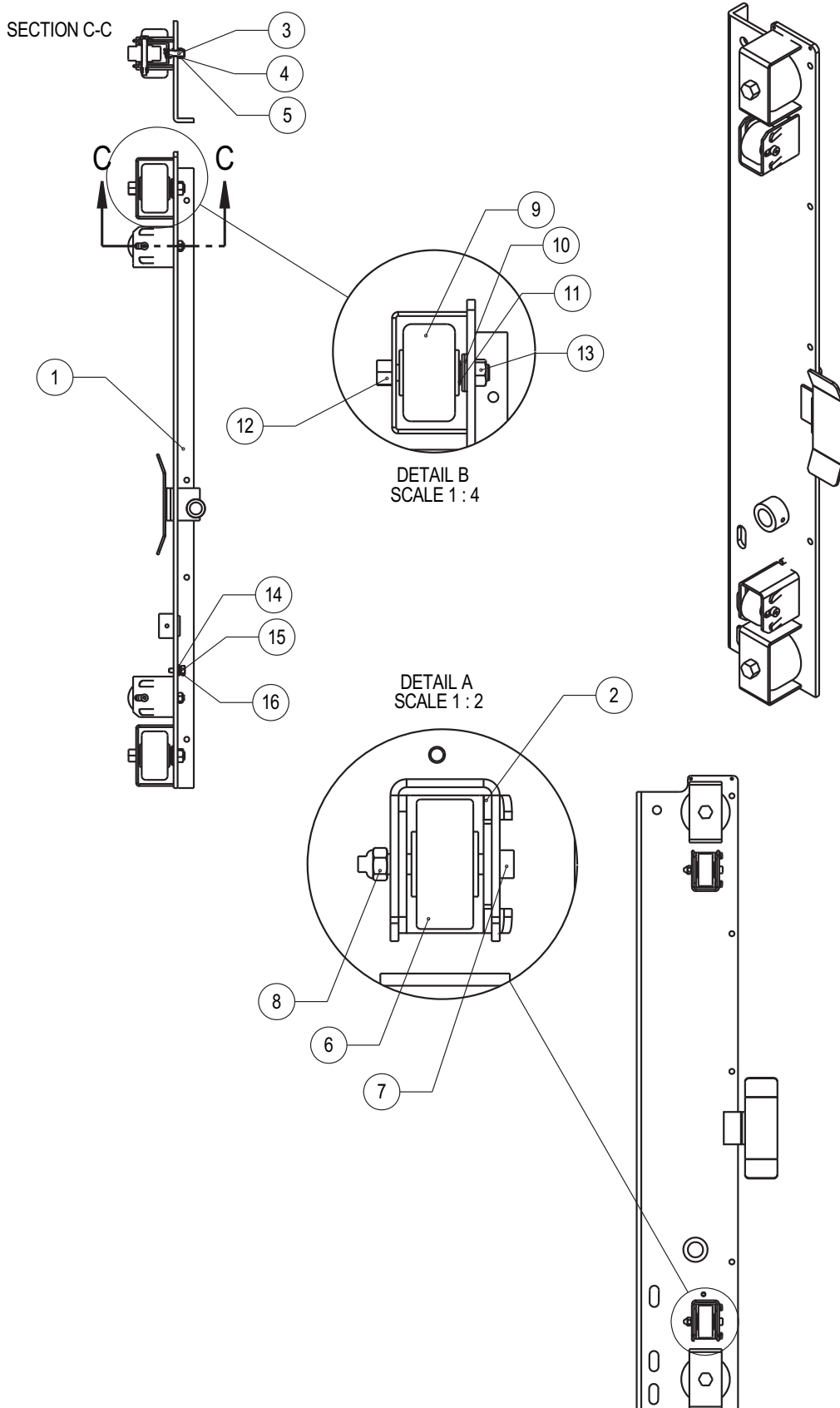
Item	Part number	Description
1	242922	SKATE_V-1504 LH W/A
2	V01-0213	SPRT_WHEEL 2" V-1504 & TELECAB
3	103545	SCRW_SET 3/8-16x1.00 DOG POINT
4	MA2AADBC	SPNG_1/2" X 3/4L
5	102186	NUT_HEX 3/8-16
6	V01-0230	WHEEL_2" DELRIN SKATE V-1504
7	MA2AJ	BOLT_SHLDR 5/16 X 1 3/4 STRIP
8	101930	NUT_HEX 1/4-20 NYLOK
9	MA2AB	WHEEL_3" PHENLC W/BRNG 3-3-319
10	102189	WSHR_FLT 1/2 USS
11	243347	BSHG_WHEEL GUIDE
12	105314	HHCS_1/2-13 x 3 GR5 ZINC
13	105315-Y	NUT_HEX 1/2-13 JAM NYLK YLW ZN
14	101196	WSHR_FLT 1/4 USS
15	101213	WSHR_LCK 1/4 MED SPLT ZNC
16	101836	HHCS_1/4-20 x 3/4

## Left hand skate safety assembly - 320686



Item	Part number	Description
1	V01-0202	ROD_ATTACHMENT
2	V01-0203	GUIDE_SPRING
3	104487	WSHR_FLT 1/2 SMALLOD S/S
4	105610	BSHG_3/4 X 2 X 1/2
5	105611	SPNG_COMP SKATE 5" X 1"
6	105283-Y	NUT_FLANGE 3/8-16 YLW ZINC
7	102186	NUT_HEX 3/8-16
8	V01-0204	BLOCK_ADJUSTING SKATE
9	V01-0206	ACTUATOR_LIMIT
10	V01-0208	PIVOT_PLATE YELLOW ZINC
11	103558	PIN_CLEVIS 1/4x1.0"
12	101210	WSHR_FLT #10 ZINC
13	103660	CLIP_HITCH PIN 1/4-1/2SD 1/16W

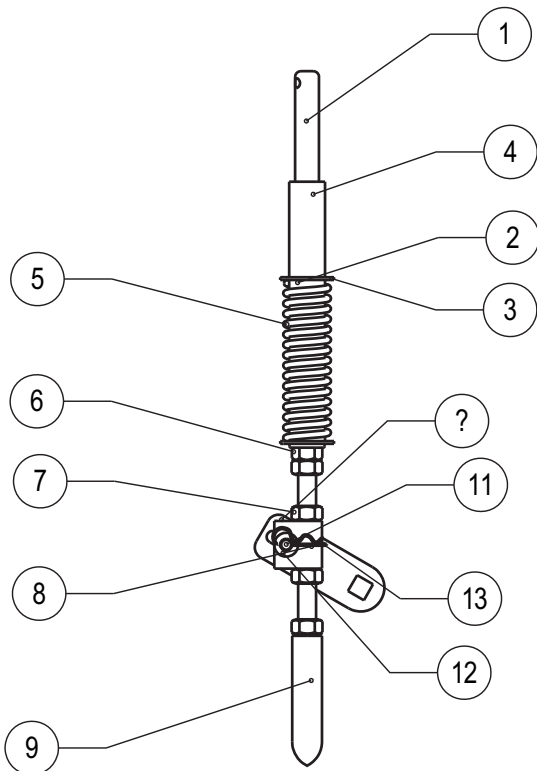
## Right hand skate wheel assembly - 320687



## Right hand skate wheel assembly - 320687

Item	Part number	Description
1	242925	SKATE_V-1504 RH W/A
2	V01-0213	SPRT_WHEEL 2" V-1504 & TELECAB
3	103545	SCRW_SET 3/8-16x1.00 DOG POINT
4	MA2AADBC	SPNG_1/2" X 3/4L
5	102186	NUT_HEX 3/8-16
6	V01-0230	WHEEL_2" DELRIN SKATE V-1504
7	MA2AJ	BOLT_SHLDR 5/16 X 1 3/4 STRIP
8	101930	NUT_HEX 1/4-20 NYLOK
9	MA2AB	WHEEL_3" PHENLC W/BRNG 3-3-319
10	102189	WSHR_FLT 1/2 USS
11	243347	BSHG_WHEEL GUIDE
12	105314	HHCS_1/2-13 x 3 GR5 ZINC
13	105315-Y	NUT_HEX 1/2-13 JAM NYLK YLW ZN
14	101196	WSHR_FLT 1/4 USS
15	101213	WSHR_LCK 1/4 MED SPLT ZNC
16	101836	HHCS_1/4-20 x 3/4

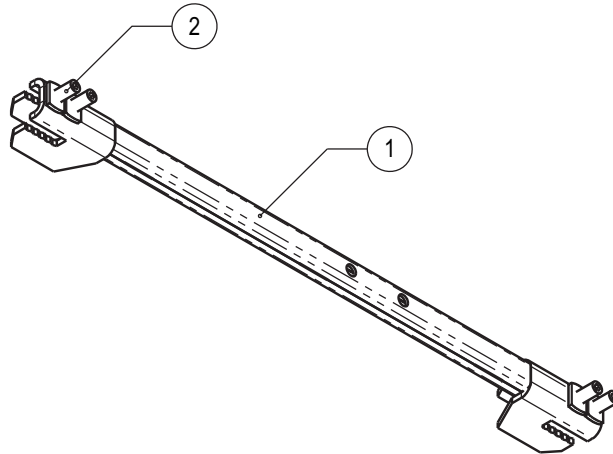
## Right hand skate safety assembly - 320685



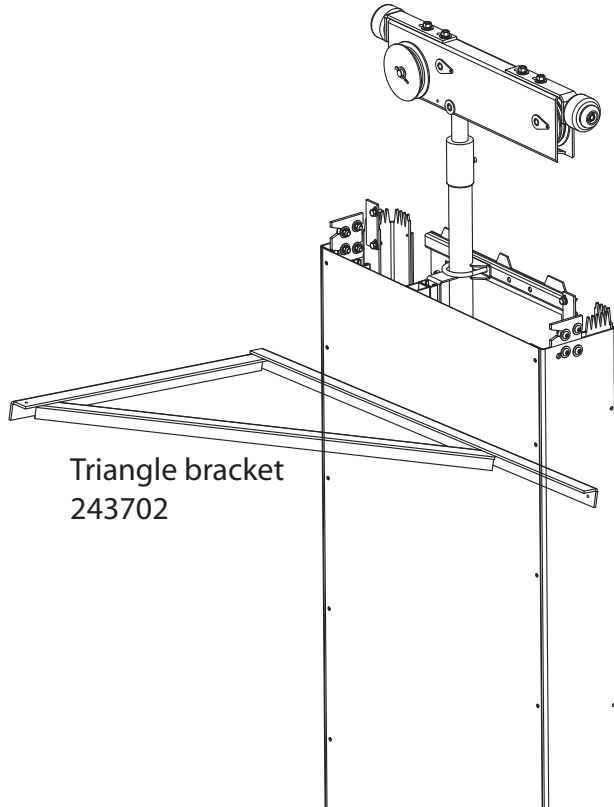
Item	Part number	Description
1	V01-0202	ROD_ATTACHMENT
2	V01-0203	GUIDE_SPRING
3	104487	WSHR_FLT 1/2 SMALLOD S/S
4	105610	BSHG_3/4 X 2 X 1/2
5	105611	SPNG_COMP SKATE 5" X 1"
6	105283-Y	NUT_FLANGE 3/8-16 YLW ZINC
7	102186	NUT_HEX 3/8-16
8	V01-0204	BLOCK_ADJUSTING SKATE
9	V01-0206	ACTUATOR_LIMIT
10	V01-0208	PIVOT_PLATE YELLOW ZINC
11	103558	PIN_CLEVIS 1/4x1.0"
12	101210	WSHR_FLT #10 ZINC
13	103660	CLIP_HITCH PIN 1/4-1/2SD 1/16W



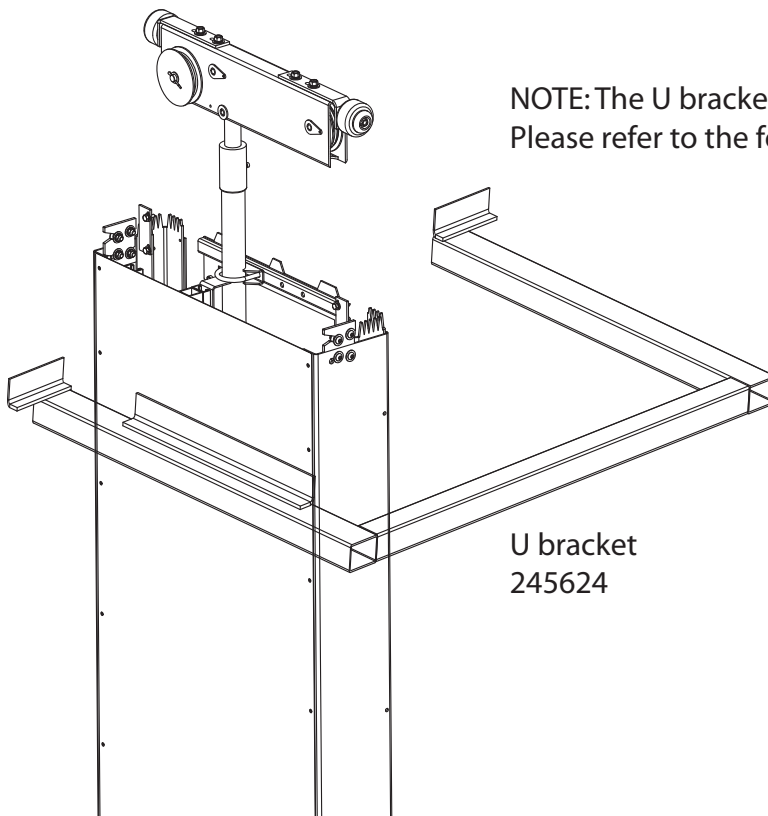
## Final stopper assembly - 320659



Item	Part number	Description
1	242930	STOP_CYL ADJUST ASSY V-1504
2	109021	SCRW_SET 1/2-13 X 1.25 BLK OXD

**Triangle bracket (to secure unanchored tower to wall) - 243702**

Triangle bracket  
243702

**U bracket (to secure unanchored tower to wall) - 245624**

NOTE: The U bracket is always custom-made.  
Please refer to the footprint for your job.

U bracket  
245624

---

**Triangle or U-bracket H/W kit - 320727**

<b>Part number</b>	<b>Description</b>
102188-Y	WSHR_FLT 3/8 USS YLW ZINC
102191-Y	WSHR_LCK 3/8 YLW ZINC
102201-Y	HHCS_3/8-16 x 1 1/4 YLW ZINC
102186	NUT_HEX 3/8-16
105418-Y	SCRW_SM PHR #8X3/4 TEK YLW ZNC

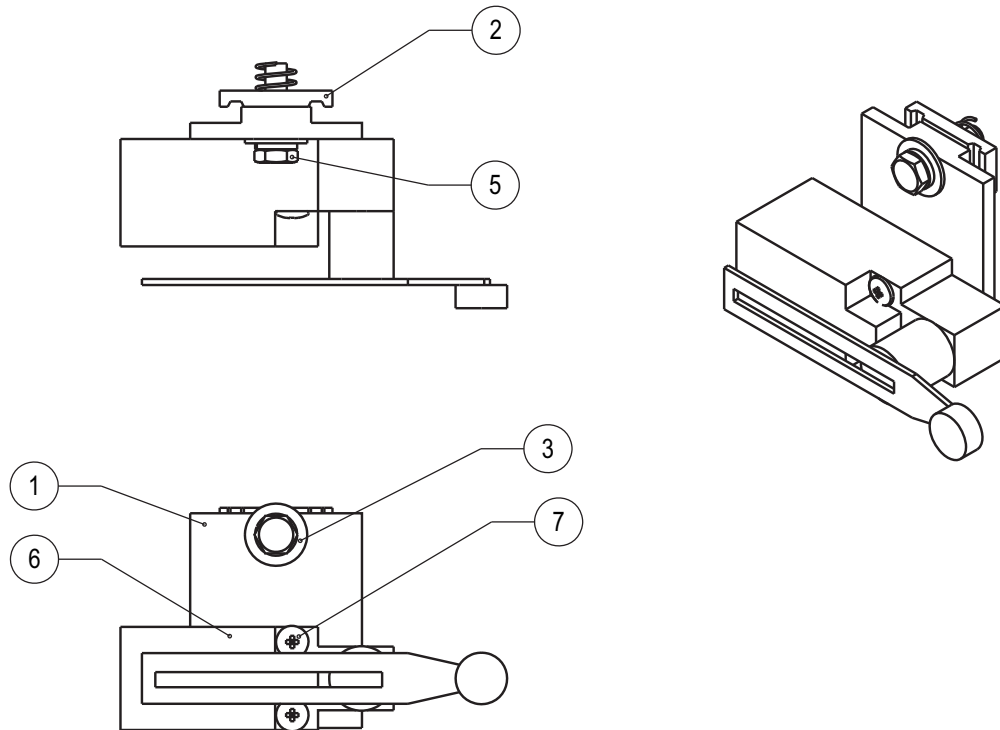
## Limit switches


Part number	Description
320690	SW_LIMIT BLUE V-1504
320691	SW_LIMIT GREY V-1504
320617	SW_BTM V-1504
320618	SW_MDL V-1504
320619	SW_TOP V-1504

## Limit switch harnesses/cables

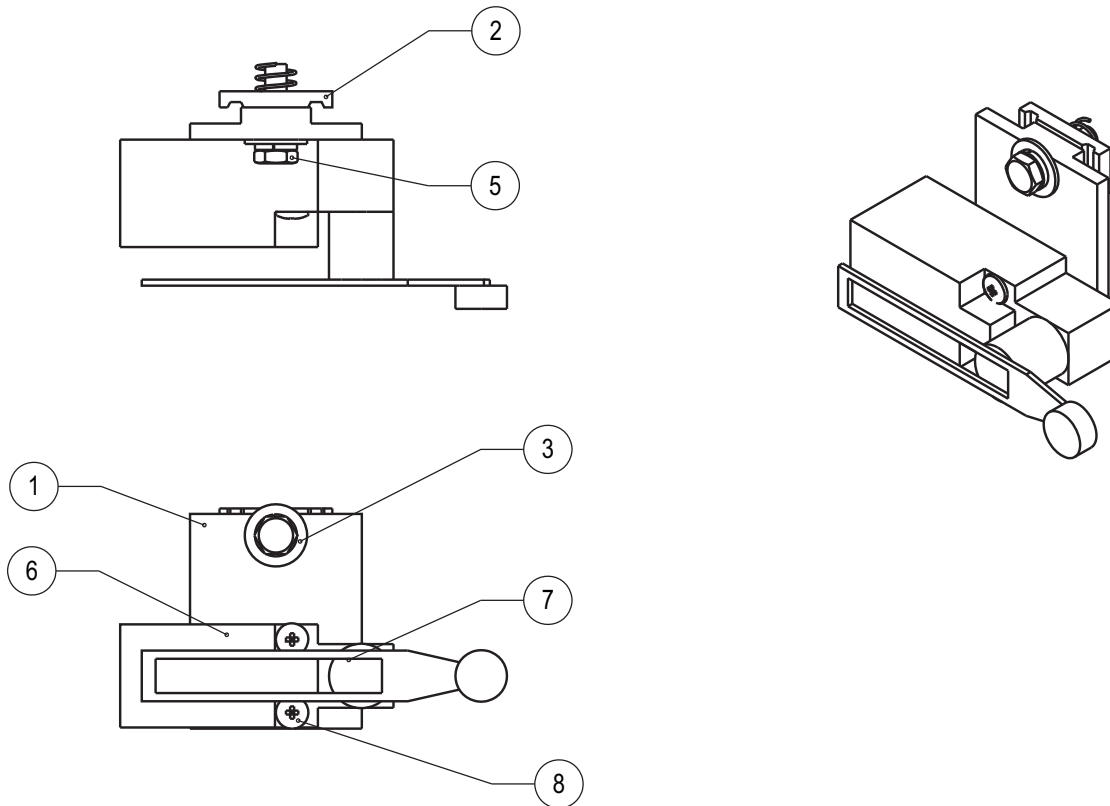
Part number	Description
243171	HRNS_V1504 NLU/FNL LMT BASE
243755	HRNS_V-1504 TOP LMT/FL +46
243757	HRNS_V-1504 TOP LMT/FL +94
243758	HRNS_V-1504 TOP LMT/FL +94+22
320768	CBL_20AWG 12 COND GREY JKT
243170	HRNS_V1504 TOP DZ/AC BASE
243759	HRNS_V-1504 TOP DZ/AC BASE +46
243761	HRNS_V-1504 TOP DZ/AC +94
243762	HRNS_V-1504 TOP DZ/AC +94+22
320760	CBL_18AWG 4 COND JKT


## Limit switch, blue - 320690



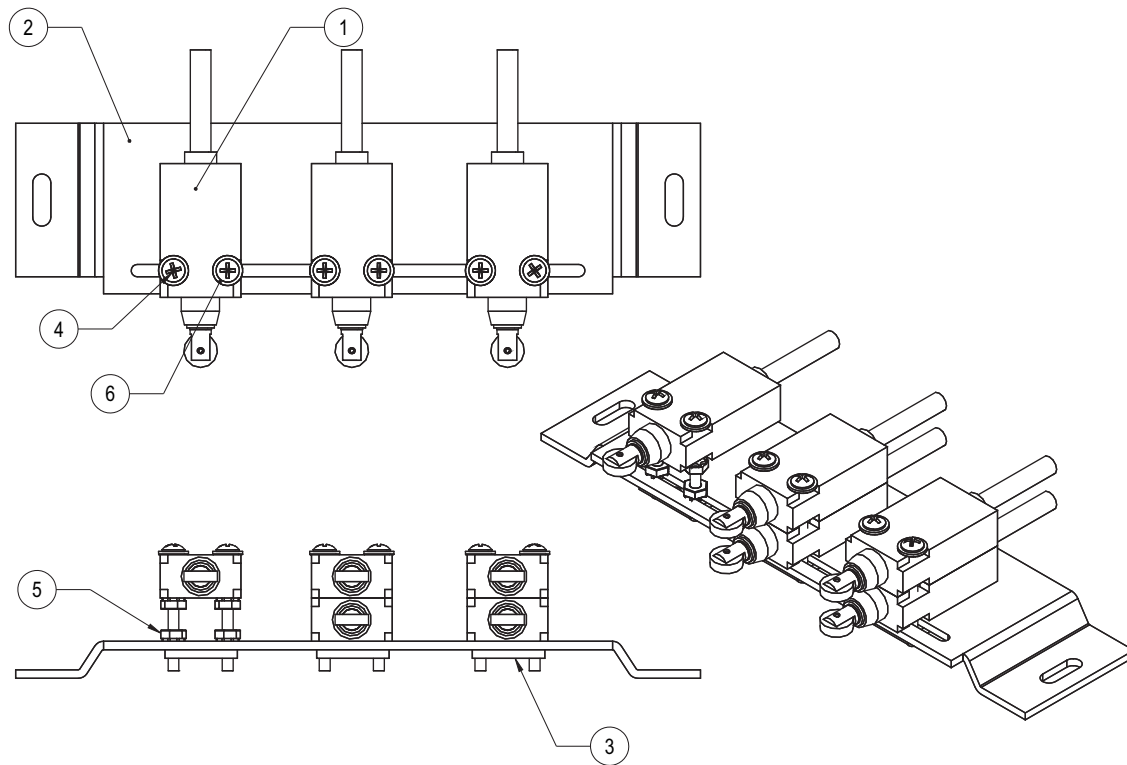
Item	Part number	Description	Photo
1	V01-1110	SPRT_LIMIT SW V-1504	
2	101097	NUT_SPNG STRUT LOCK 1/4-20	
3	101196-Y	WSHR_FLT 1/4 USS YLW ZINC HRD	
4	101213-Y	WSHR_LCK 1/4 YLW ZINC	
5	103398	HHCS_ 1/4-20 x 1 F/T	
6	105548	SW_LMT NO/NC W/RLR ARM	
7	105608	MS_PHP 10-24 X 1	
8	105298	CON_SEAL TWR CC-NPT-12-B	


## Limit switch, grey - 320691 (non-public Canada only)



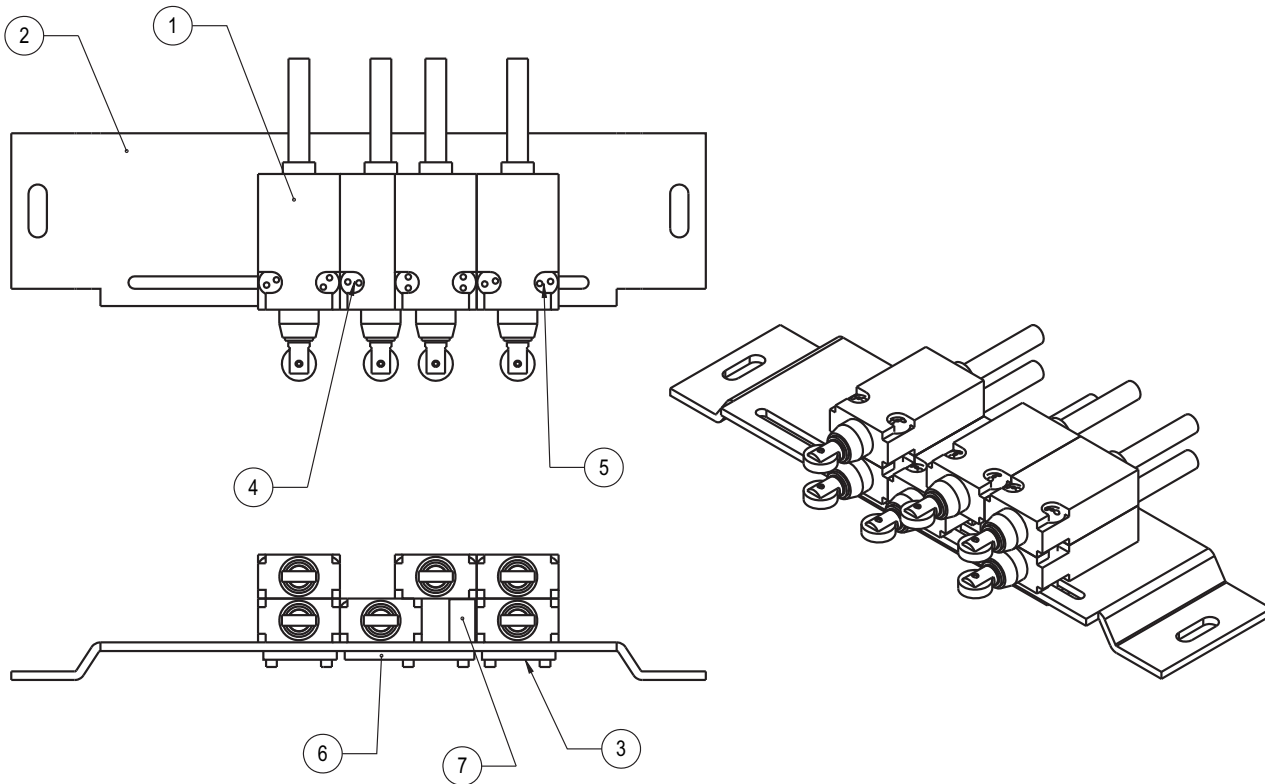
Item	Part number	Description	Photo
1	V01-1110	SPRT_LIMIT SW V-1504	
2	101097	NUT_SPNG STRUT LOCK 1/4-20	
3	101196-Y	WSHR_FLT 1/4 USS YLW ZINC HRD	
4	101213-Y	WSHR_LCK 1/4 YLW ZINC	
5	103398	HHCS_1/4-20 x 1 F/T	
6	106471	SW_LMT NO/NO W/RLR ARM	
7	105608	MS_PHP 10-24 X 1	
8	105298	CON_SEAL TWR CC-NPT-12-B	

## Bottom switch assembly - 320617 (public Canada only)



Item	Part number	Description	Photo
1	106385	SW_PLUNGER PUB CANADA	
2	V01-1150	SPRT_SW LMT B-355	
3	V01-1151	PLT_THREADED 2 HOLES	
4	105228	MS_PHP 8-32 x 1.75 ZNC	
5	105308	NUT_HEX 8-32 W/TOOTHED WSHR	
6	101206-Y	WSHR_FLT #8 SAE YLW ZNC	

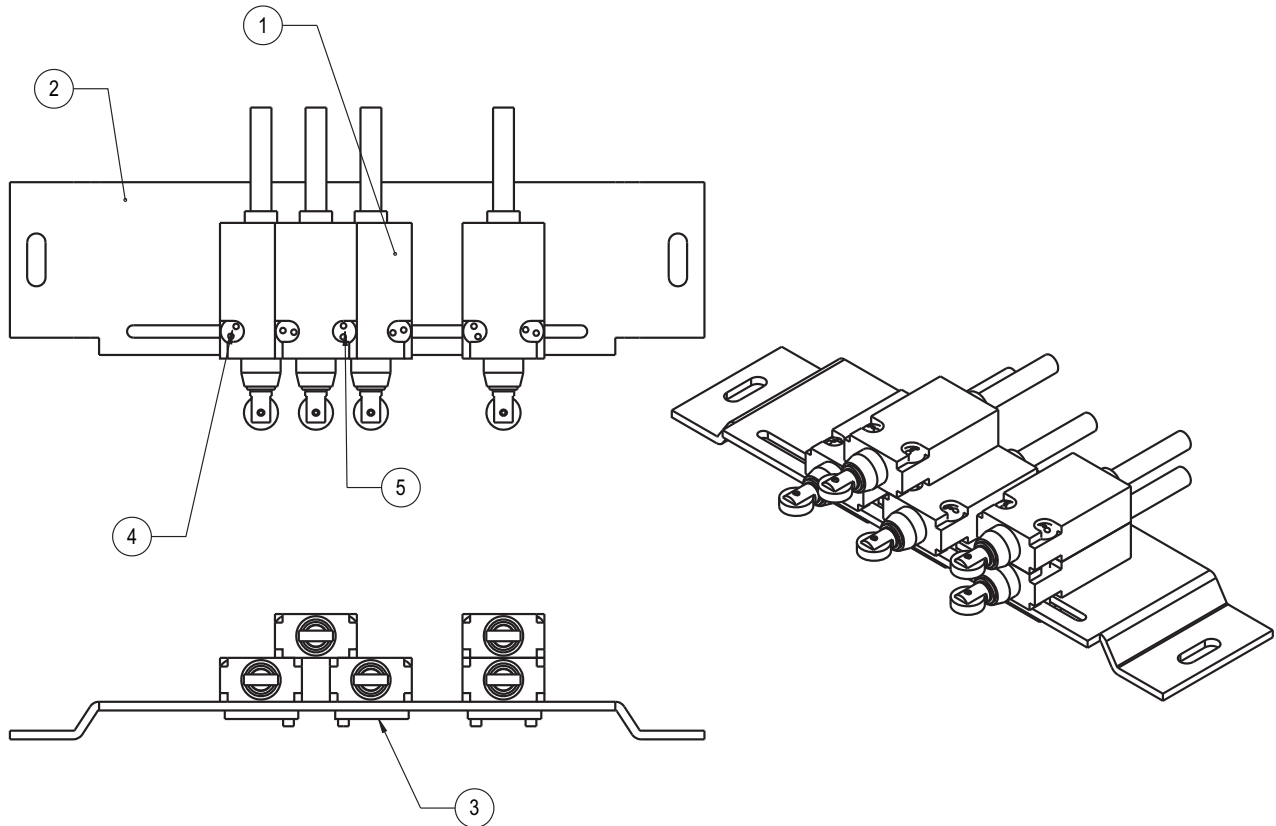
## Middle switch assembly - 320618




Item	Part number	Description	Photo
1	106385	SW_PLUNGER PUB CANADA	
2	V01-1150	SPRT_SW LMT B-355	
3	V01-1155	PLT_THREADED 2 HOLES	
4	104866	MS_PHP 8-32 x 1 1/8"	
5	106618	SCRW_SECURITY 8-32 X 1"	
6	V01-1156	PLT_THREADED 5 HOLES	
7	V01-1153	SPACER	
8	632019	DISCON_M 18AWG .250	
9	632005	DISCON_F 18AWG .250 2-520183-2	
10	632034	DISCON_M 14 AWG .250	



## Top switch assembly - 320619



Item	Part number	Description	Photo
1	106385	SW_PLUNGER PUB CANADA	
2	V01-1150	SPRT_SW LMT B-355	
3	V01-1155	PLT_THREADED 3 HOLES	
4	104866	MS_PHP 8-32 x 1 1/8"	
5	106618	SCRW_SECURITY 8-32 X 1"	
--	632019	DISCON_M 18AWG .250	
--	632005	DISCON_F 18AWG .250 2-520183-2	
--	632034	DISCON_M 14 AWG .250	

## Controller assembly



### Controller assemblies

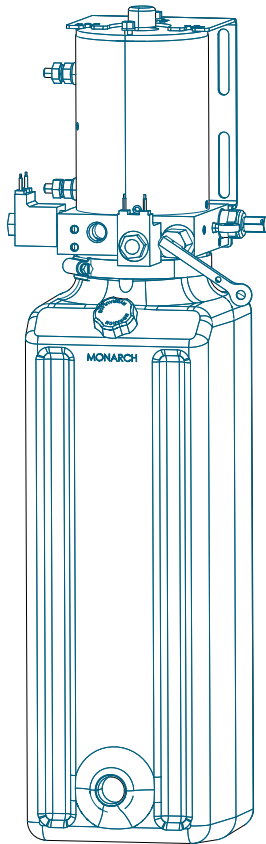
Part number	Description
324712	CNTRLR_V-1504 24V/110V (CURRENT)
323711-L	CNTRLR_V-1504 110V, LIGHT (2014)
323712-L	CNTRLR_V-1504 24V, LIGHT (2014)
323008-L	CNTRLR_V-1504 110V, LIGHT (2014)
323009-L	CNTRLR_V-1504 24V, LIGHT (2014)

### Controller attachment kit - 320710

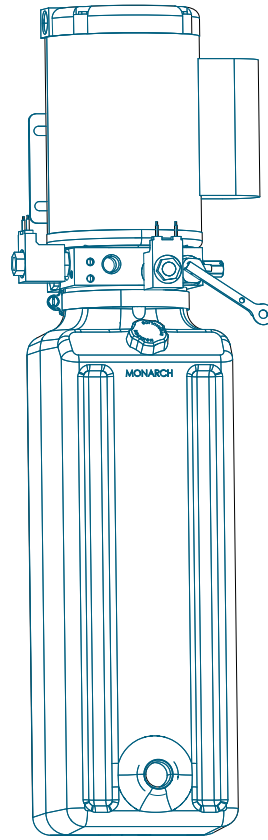
Part number	Description
105491	NUT_HEX 10-24 NYLOK JAM
101210	WSHR_FLT #10 ZINC
245496	HRNS_V1504 CNTRL BOX GROUND
105544	STRN_RLF CON .114-.250" .492"D
243162	HRNS_V1504 ALARM
631071	WIRE_JOINT LARGE (TYCO 35653)
105353	CON_CABLE 1/2" PLASTIC

## Hydraulics (new version)

### Pump assemblies



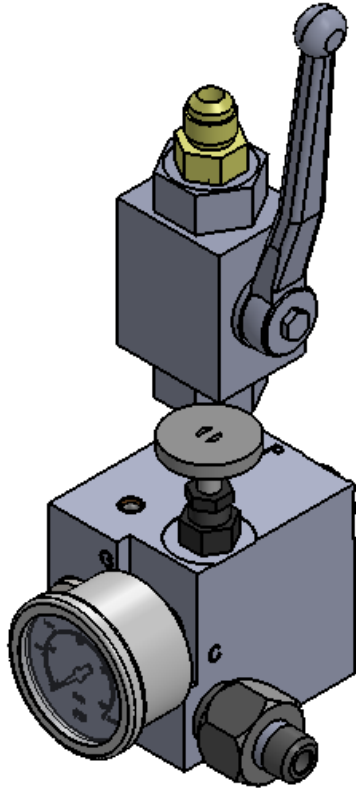
24V PUMP  
109322  
109323



110/220V PUMP  
109124  
109125

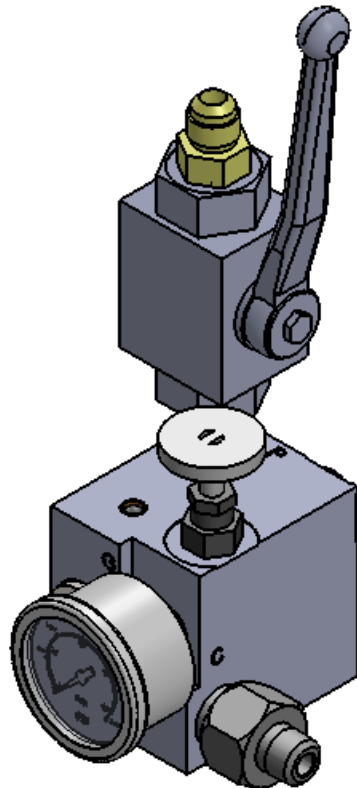
Part number	Description
109322	PUMP_24V 2" ID 16.5 FPM
109323	PUMP_24V 1.5" ID 16.5 FPM
109124	PUMP_110\220V 2" ID 18FPM
109125	PUMP_110\220V 1.5"ID 18FPM
ZVH10-D24	VALVE_COMPLETE DOWN, 24V
ZVH10-U24	VALVE_COMPLETE UP, 24V

**Manifold assembly 2" piston, 18 fpm - 109328**



SHORTER HANDLE

**Manifold assembly 1.5" piston, 16 fpm - 109329**



SHORTER HANDLE

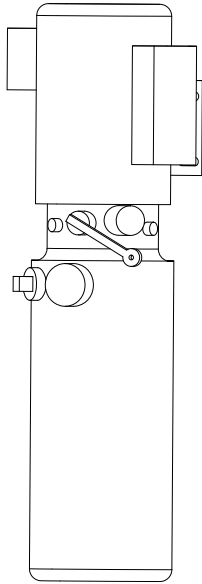
## Hydraulic items

Part number	Description	Photo
109140	FUSE_VELOCITY 2.25 GPM (PIPE RUPTURE VALVE)	
109141	FUSE_VELOCITY 1.19 GPM (PIPE RUPTURE VALVE)	
320260	HOSE_ASSY MANIFOLD GH781-4	
320260-O	HOSE_ASSY MANIFOLD GH781-4	
320695	PIPE_HARD V-1504	
104914	CON_MALE-MALE 1/4" NPT	
105333	HOSE_END #4 HOSE 1/4" NPT	
105334	HOSE_GH781-4 AEROQUIP	
105336	HOSE_END #4 HOSE JIC #6 SWIV	

Part number	Description	Photo
104858	ELBOW_1/4 NPT FEMALE/MALE	
106431	FITTINGS_EL BOW 90DEG 37 DEG	
105739	SW_NEG PRESSURE SWITCH V1504	
102231	ADPTR_1/4" NPTX#6 2021-6S	
105559	ADPTR 1/4 FEM 3/8 MALE NPT	
105474	NUT_FLANGE 1/4-20	
243316	SCRW_THUMB 3/8-16 UNC DRILLED	
105547	CON_EMT 1/2" 1 ACRW CI71	
109177	TANK_11" LONG (232 CU IN)	
109178	BREATHER 3/4 NPT	
106669	CVR_PLASTIC SMALL 1 PC RED	
246941	HRNS_BLANKET HEATER 110V VPL	
246942	HRNS_BLANKET HEATER 220V VPL	

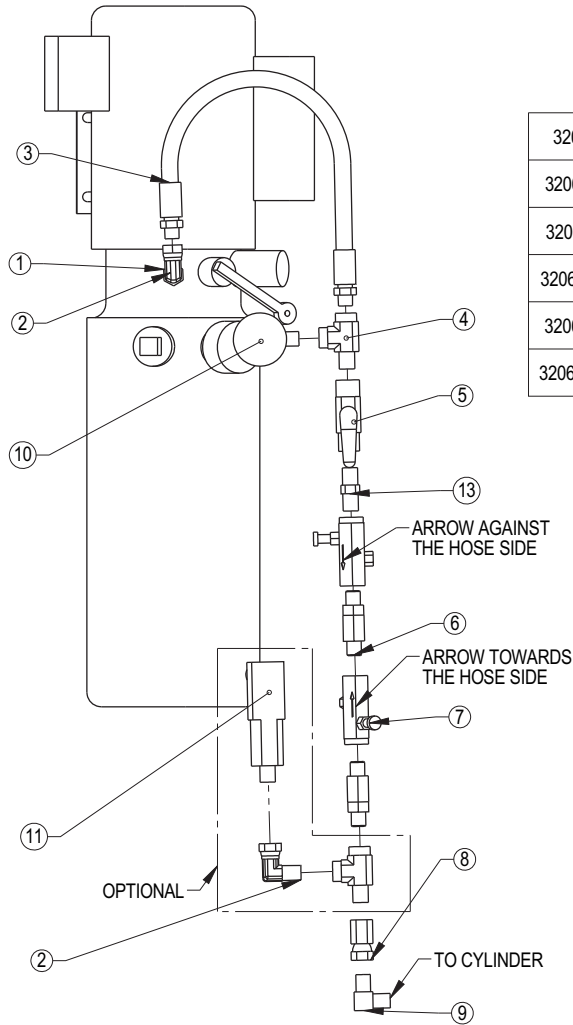
## Hydraulics (old version) - prior to 2011

### Pump assemblies



Part number	Description
105566	PUMP_110V STD
105694	PUMP_12V W/ELEC LOWERING
105818	PUMP_12V FOR MAN LOWERING
105819	PUMP_220V 50HZ V-1504

## Hydraulics, 12V public USA, short hose - 320660

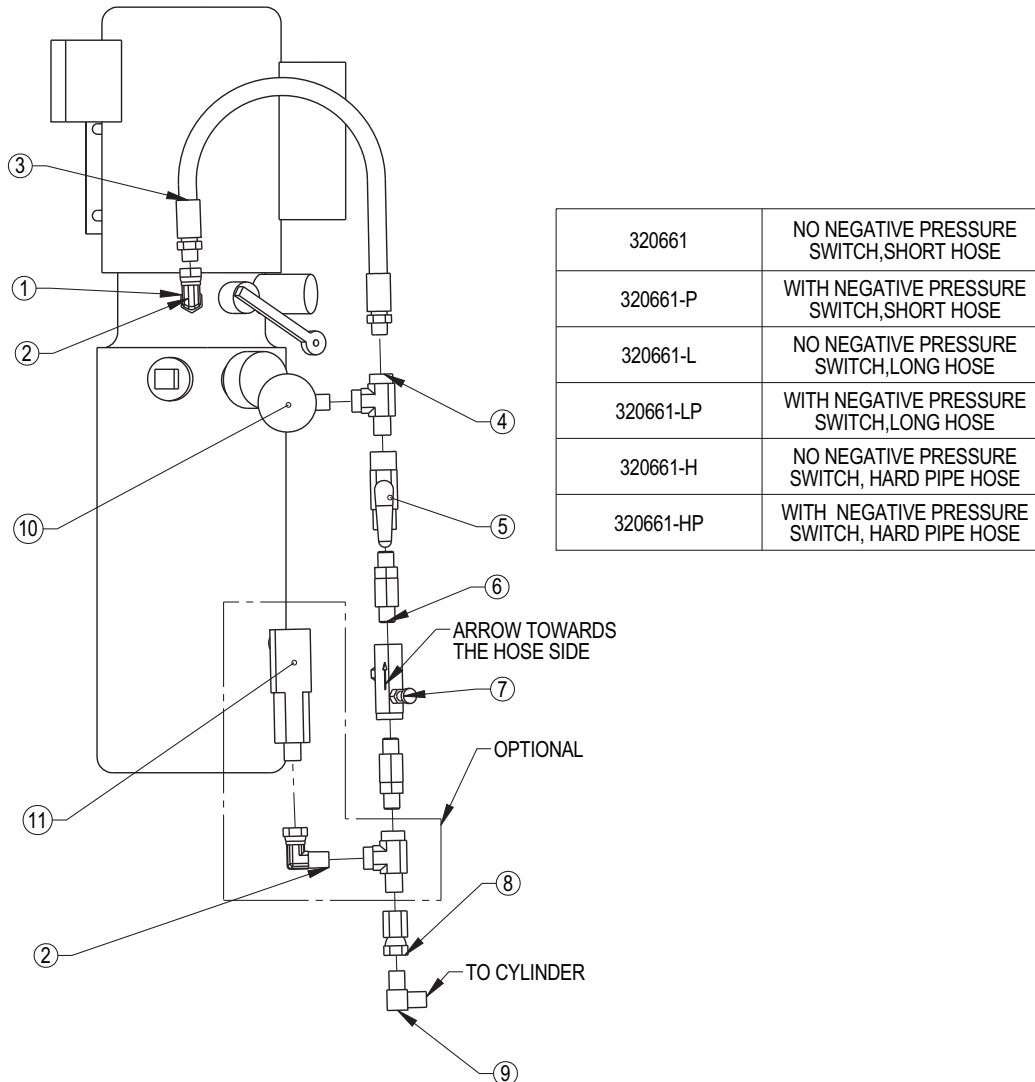


320660	NO NEGATIVE PRESSURE SWITCH,SHORT HOSE
320660-P	WITH NEGATIVE PRESSURE SWITCH,SHORT HOSE
320660-L	NO NEGATIVE PRESSURE SWITCH,LONG HOSE
320660-LP	WITH NEGATIVE PRESSURE SWITCH,LONG HOSE
320660-H	NO NEGATIVE PRESSURE SWITCH,HARD PIPE HOSE
320660-HP	WITH NEGATIVE PRESSURE SWITCH,HARD PIPE HOSE

Item	Part number	Description
1	105559	ADPTR_1/4 FEM 3/8 MALE NPT
2	105558	ADPTR_1/4 NPT 90DEG MALE/FML
3	105562	HOSE_ASSY 100R2 28" 1/4NPT M/M
4	105561	ADPTR_1/4 NPT TEE FML/FML/MALE
5	726026	VALVE_BALL GEM 1/4 NPT 1111AB
6	105563	FILTER_OIL
7	104908	VALVE_FLO CNTRL F20SK 1/4"NPT
8	105557	ADPTR_1/4 NPT SWIVEL FEM/FEM
9	105560	ADPTR_1/4 NPT 90DEG MALE/MALE
10	105556	GAUGE_PRESSURE 2000 PSI SML RDR
13	104914	CON_MALE-MALE 1/4" NPT

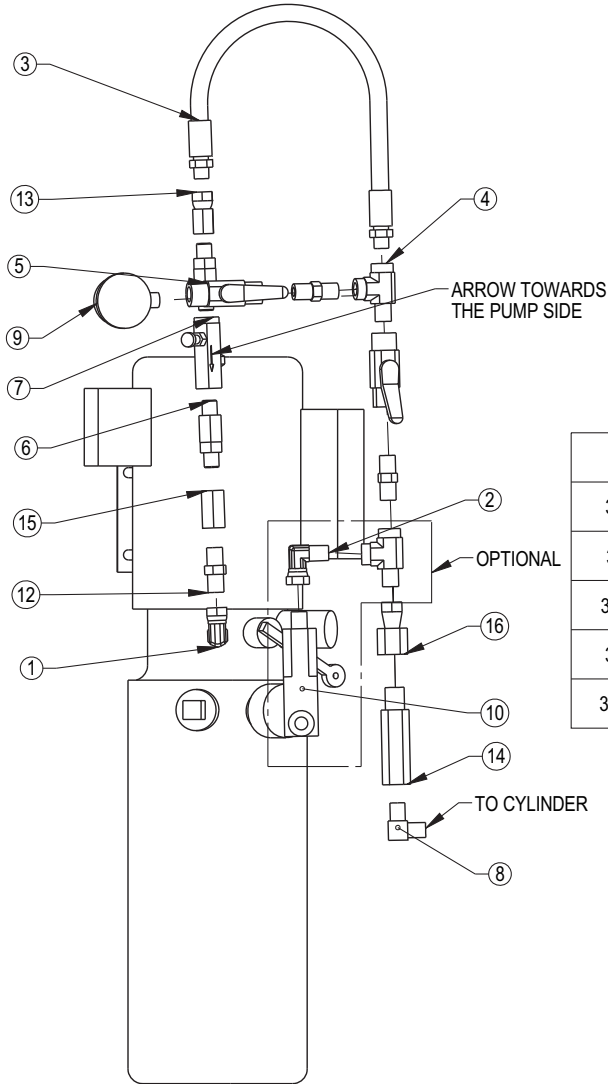


## Hydraulics, 110V public USA, short hose - 320661



Item	Part number	Description
1	105559	ADPTR_1/4 FEM 3/8 MALE NPT
2	105558	ADPTR_1/4 NPT 90DEG MALE/FML
3	105562	HOSE_ASSY 100R2 28" 1/4NPT M/M
4	105561	ADPTR_1/4 NPT TEE FML/FML/MALE
5	726026	VALVE_BALL GEM 1/4 NPT 1111AB
6	105563	FILTER_OIL
7	104908	VALVE_FLO CNTRL F20SK 1/4"NPT
8	105557	ADPTR_1/4 NPT SWIVEL FEM/FEM
9	105560	ADPTR_1/4 NPT 90DEG MALE/MALE
10	105556	GAUGE_PRESSURE 2000 PSI SML RDR

## Hydraulics, 110V public BC, short hose - 320662



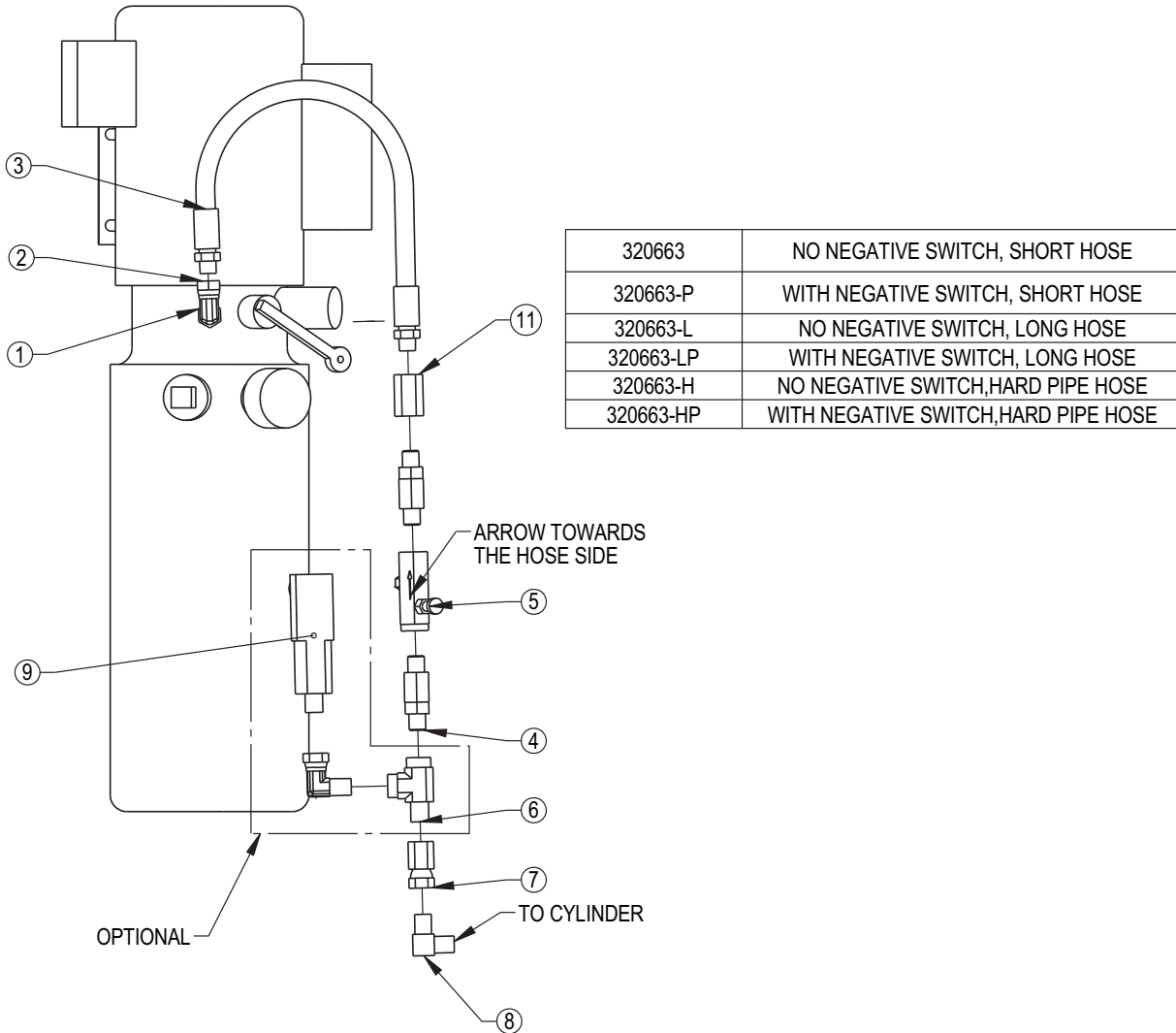
320662	NO NEGATIVE PRESSURE SWITCH, SHORT HOSE
320662-P	WITH NEGATIVE PRESSURE SWITCH, SHORT HOSE
320662-L	NO NEGATIVE PRESSURE SWITCH, LONG HOSE
320662-LP	WITH NEGATIVE PRESSURE SWITCH, LONG HOSE
320662-H	NO NEGATIVE PRESSURE SWITCH, HARD PIPE HOSE
320662-HP	WITH NEGATIVE PRESSURE SWITCH, HARD PIPE HOSE

Item	Part number	Description
1	105559	ADPTR_1/4 FEM 3/8 MALE NPT
2	105558	ADPTR_1/4 NPT 90DEG MALE/FML
3	105562	HOSE_ASSY 100R2 28" 1/4NPT M/M
4	105561	ADPTR_1/4 NPT TEE FML/FML/MALE
5	726026	VALVE_BALL GEM 1/4 NPT 1111AB
6	105563	FILTER_OIL
7	104908	VALVE_FLO CNTRL F20SK 1/4"NPT
8	105560	ADPTR_1/4 NPT 90DEG MALE/MALE
9	105556	GAUGE_PRESSURE 2000 PSI SML RDR
12	104914	CON_MALE-MALE 1/4" NPT

---

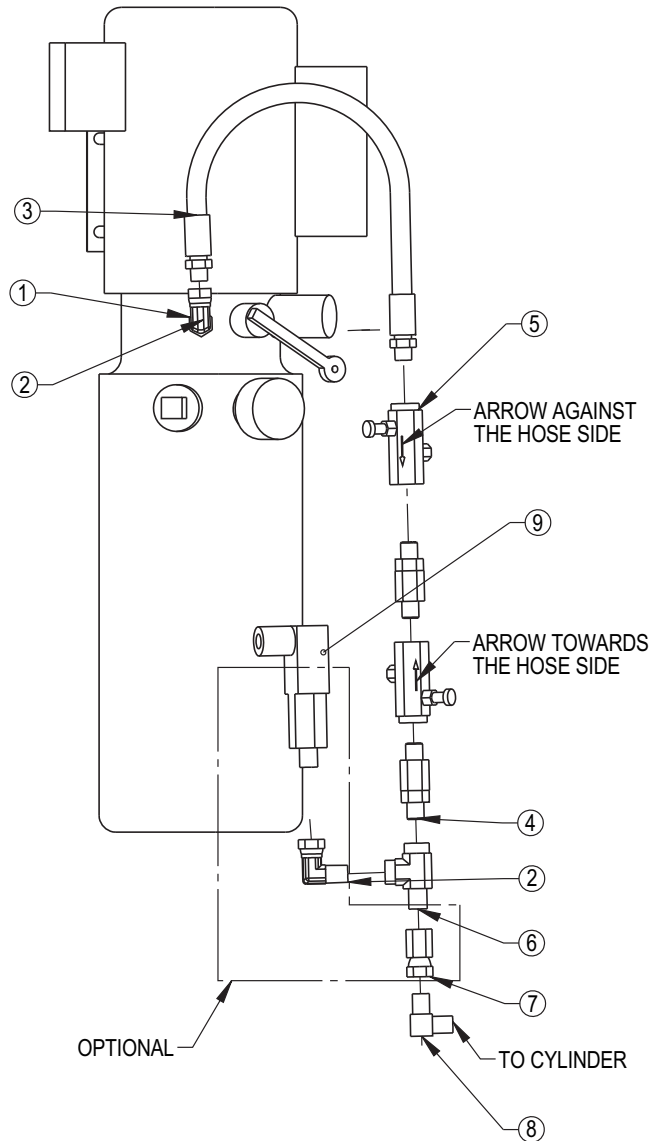
<b>Item</b>	<b>Part number</b>	<b>Description</b>
13	105557	ADPTR_1/4 NPT SWIVEL FEM/FEM
14	105815	VALVE_RUPTURE HYD ASSY V-1504
15	106318	ADPTR_FEMALE-FEMALE 2X 1\4 NPT
16	105816	ADPTR_SWIVEL HYD ASSY V-1504

## Hydraulics, 110V residential, short hose - 320663



Item	Part number	Description
1	105559	ADPTR_1/4 FEM 3/8 MALE NPT
2	105558	ADPTR_1/4 NPT 90DEG MALE/FML
3	105562	HOSE_ASSY 100R2 28" 1/4NPT M/M
4	105563	FILTER_OIL
5	104908	VALVE_FLO CNTRL F20SK 1/4"NPT
7	105557	ADPTR_1/4 NPT SWIVEL FEM/FEM
8	105560	ADPTR_1/4 NPT 90DEG MALE/MALE
11	106318	ADPTR_FEMALE-FEMALE 2X 1\4 NPT

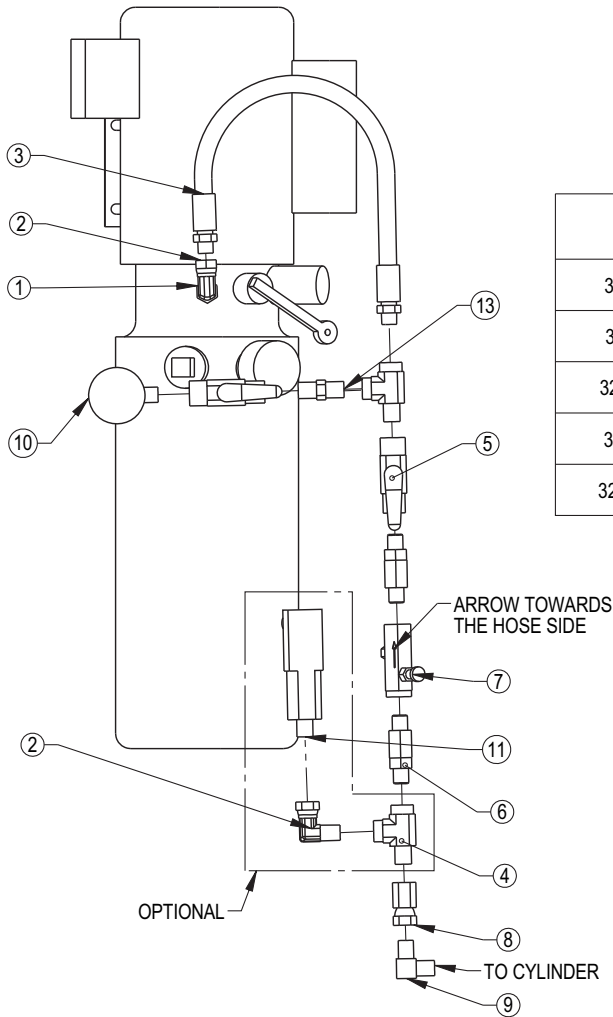
## Hydraulics, 12V residential, short hose - 320664



320664	NO NEGATIVE PRESSURE SWITCH, SHORT HOSE
320664-P	WITH NEGATIVE PRESSURE SWITCH, SHORT HOSE
320664-L	NO NEGATIVE PRESSURE SWITCH, LONG HOSE
320664-LP	WITH NEGATIVE PRESSURE SWITCH, LONG HOSE
320664-H	NO NEGATIVE PRESSURE SWITCH, HARD PIPE HOSE
320664-HP	WITH NEGATIVE PRESSURE SWITCH, HARD PIPE HOSE

Item	Part number	Description
1	105559	ADPTR_1/4 FEM 3/8 MALE NPT
2	105558	ADPTR_1/4 NPT 90DEG MALE/FML
3	105562	HOSE_ASSY 100R2 28" 1/4NPT M/M
4	105563	FILTER_OIL
5	104908	VALVE_FLO CNTRL F20SK 1/4"NPT
7	105557	ADPTR_1/4 NPT SWIVEL FEM/FEM
8	105560	ADPTR_1/4 NPT 90DEG MALE/MALE

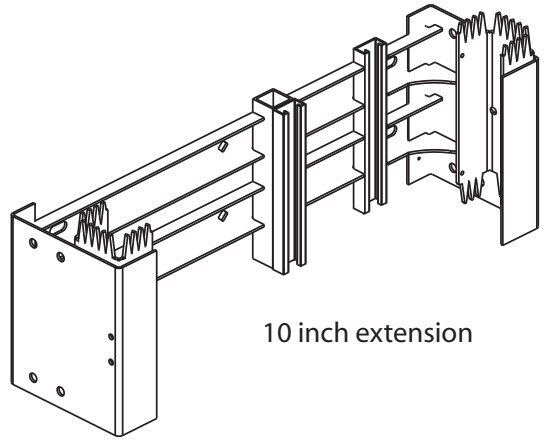
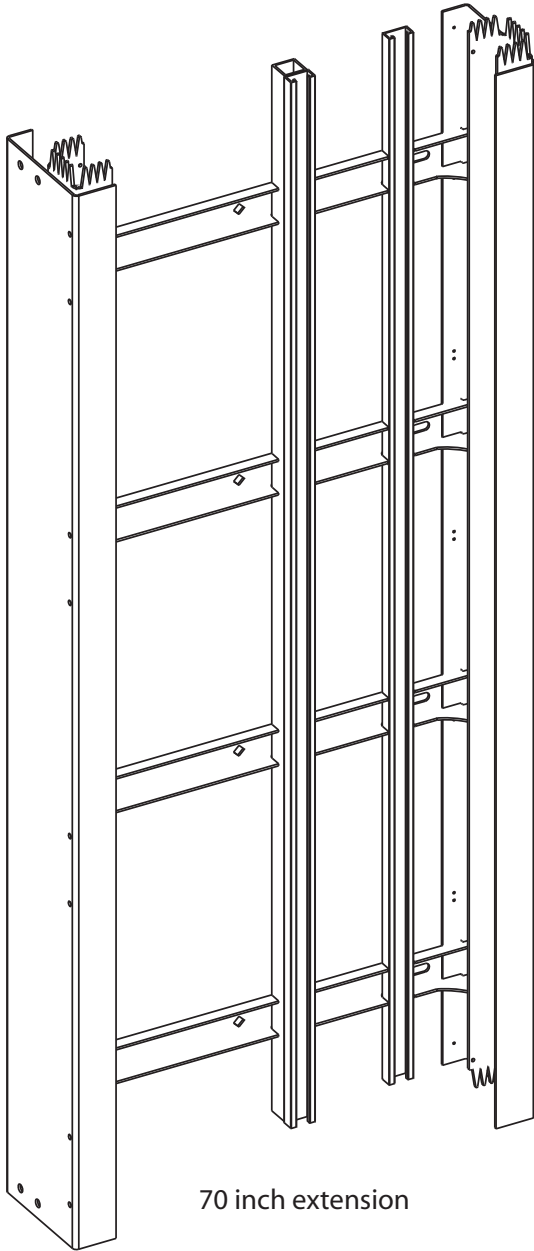
## Hydraulics, 110V public Canada, short hose - 320665



320665	NO NEGATIVE PRESSURE SWITCH, SHORT HOSE
320665-P	WITH NEGATIVE PRESSURE SWITCH, SHORT HOSE
320665-L	NO NEGATIVE PRESSURE SWITCH, LONG HOSE
320665-LP	WITH NEGATIVE PRESSURE SWITCH, LONG HOSE
320665-H	NO NEGATIVE PRESSURE SWITCH, HARD PIPE HOSE
320665-HP	WITH NEGATIVE PRESSURE SWITCH, HARD PIPE HOSE

Item	Part number	Description
1	105559	ADPTR_1/4 FEM 3/8 MALE NPT
2	105558	ADPTR_1/4 NPT 90DEG MALE/FML
3	105562	HOSE_ASSY 100R2 28" 1/4NPT M/M
4	105561	ADPTR_1/4 NPT TEE FML/FML/MALE
5	726026	VALVE_BALL GEM 1/4 NPT 1111AB
6	105563	FILTER_OIL
7	104908	VALVE_FLO CNTRL F20SK 1/4"NPT
8	105557	ADPTR_1/4 NPT SWIVEL FEM/FEM
9	105560	ADPTR_1/4 NPT 90DEG MALE/MALE
10	105556	GAUGE_PRESSURE 2000 PSI SML RDR
13	104914	CON_MALE-MALE 1/4" NPT

# Tower extensions



## Tower extension assemblies

Part number	Description
242870	EXTN_TWR 10" V-1504
242870-Z	EXTN_TWR 10" V-1504 ZINC (OUTDOOR)
242909	EXTN_TWR 22" V-1504
242909-Z	EXTN_TWR 22" V-1504 ZINC (OUTDOOR)
320631	EXT_TWR 22" CNTRLR V-1504 PLUS
242902	EXTN_TWR 46" V-1504
242902-Z	EXTN_TWR 46" V-1504 ZINC (OUTDOOR)
242910	EXTN_TWR 70" V-1504
242910-Z	EXTN_TWR 70" V-1504 ZINC (OUTDOOR)
242867	EXTN_TWR 94" V-1504
242867-Z	EXTN_TWR 94" V-1504 ZINC (OUTDOOR)

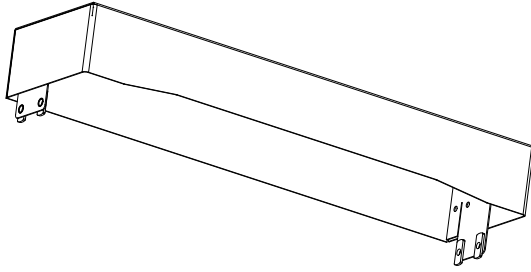
## Tower extension H/W kit - 243231

Part number	Description
100155	HHCS_1/4-20 x 1/2
101213	WSHR_LCK 1/4 MED SPLT ZNC
105354	SEAL_KNOCKOUT 7/8" PLASTIC
V0100076	PLAQUE SUPPORT DENT
V0100072	PLT_FIX TOWER
103443	WSHR_FLT 1/4 SMALLOD S/S
102199	HHCS_1/2-13 x 1 1/4
105315-Y	NUT_HEX 1/2-13 JAM NYLK YLW ZN
105689	WSHR_FLT 1.06OD X .595IDX80THK

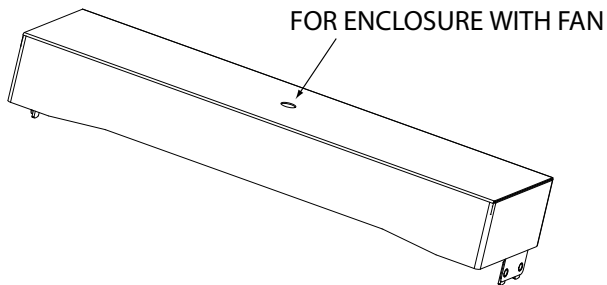


## Tower caps

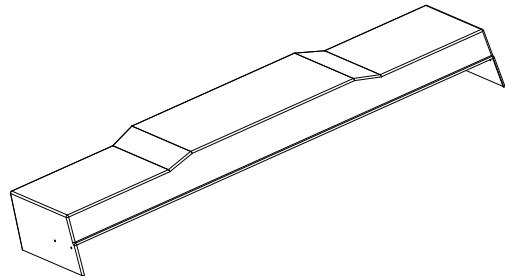
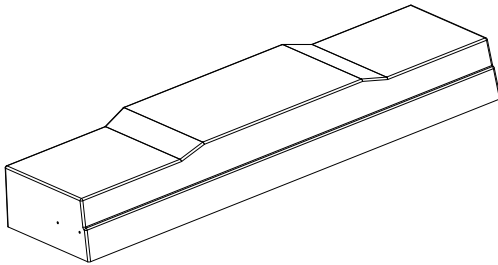
### Tower cap - 242966



### Tower cap, ventilation - 242976



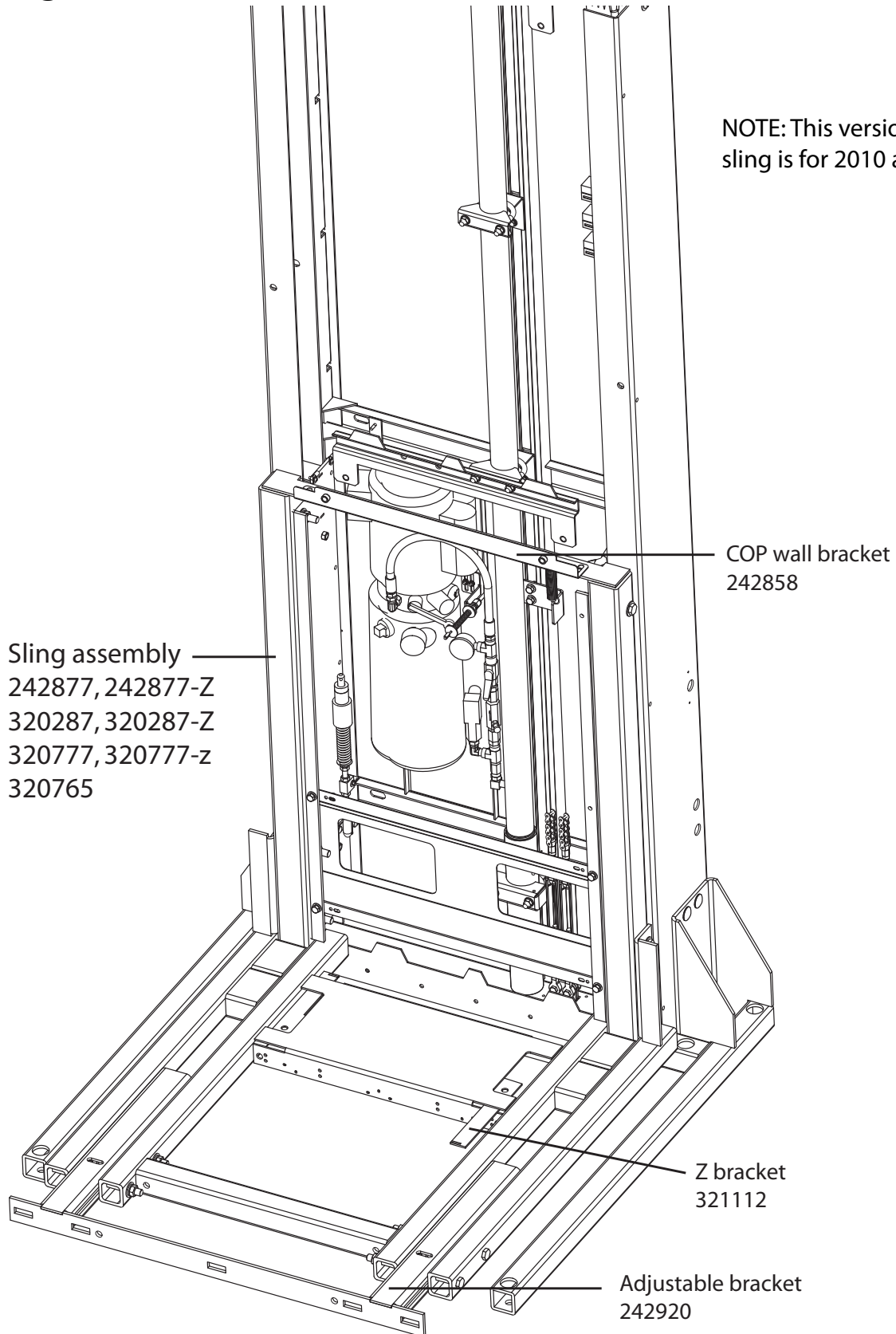
### Tower cap (old style plastic) - V01000178 (4-sided) or V0100205 (3-sided)



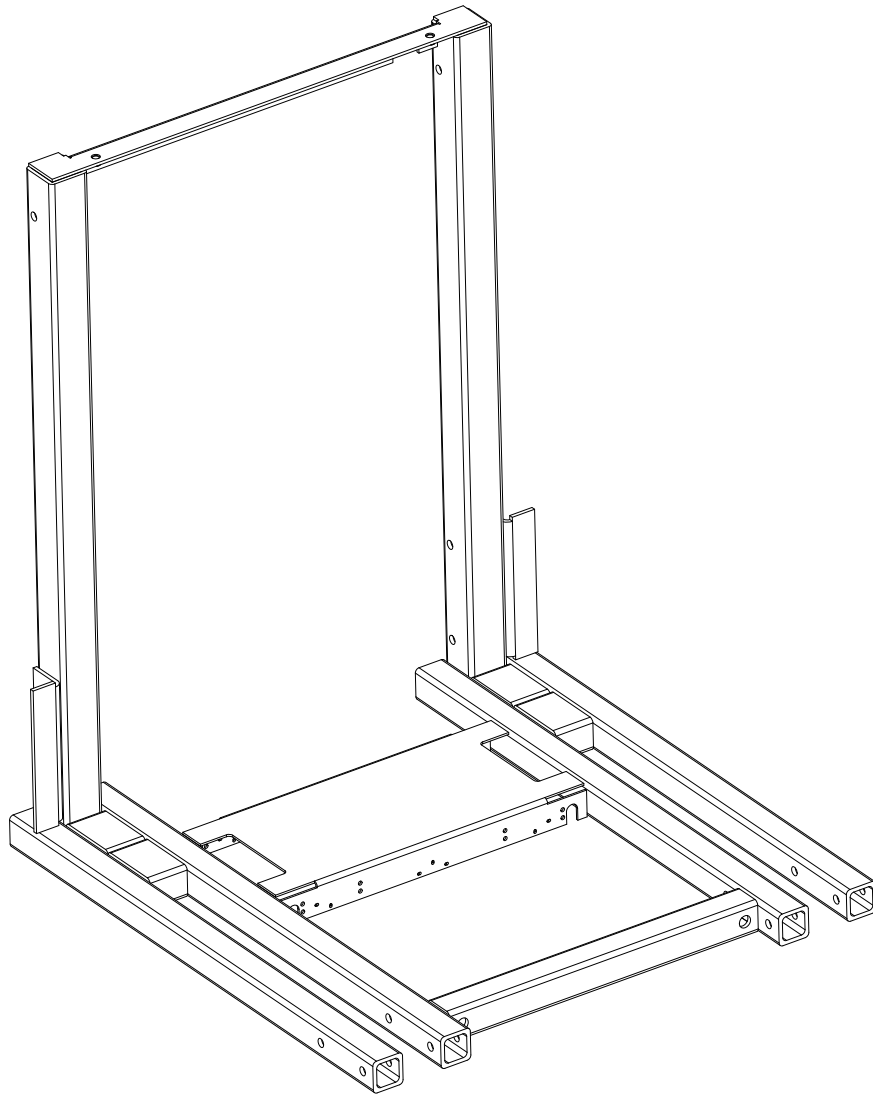
### Tower cap H/W kit - 320702

Part number	Description
104403-Y	HHCS_3/8-16 X 3/4 YLW ZNC GR5
102188-Y	WSHR_FLT 3/8 USS YLW ZINC
102191-Y	WSHR_LCK 3/8 YLW ZINC
102186	NUT_HEX 3/8-16

# Sling



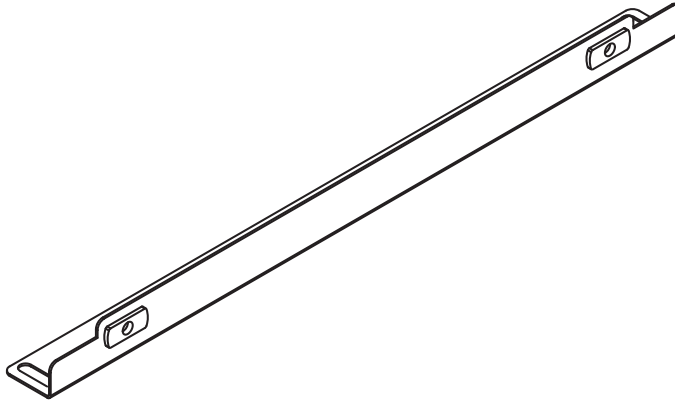
## Sling assemblies



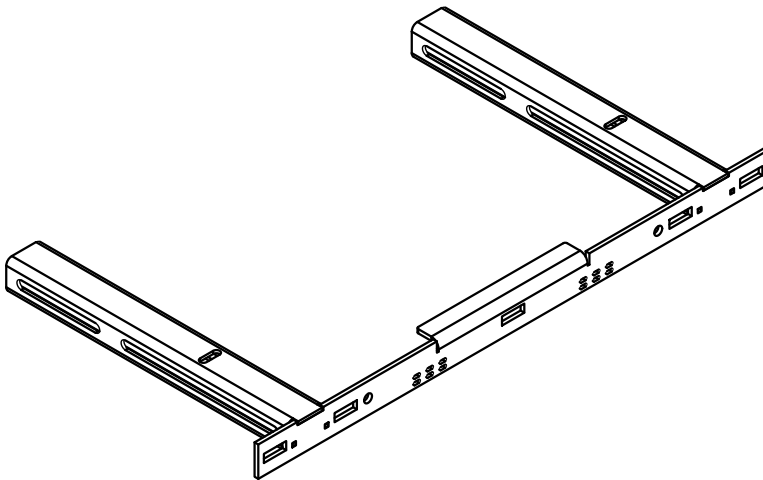
Part number	Description
242877	SLING_V-1504 BEIGE ASSY
242877-Z	SLING_V-1504 ZINC ASSY
320287	SLING_V-1504 PAINTED
320287-Z	SLING_V-1504 ZNC
320777	SLING_42" V1504
320777-Z	SLING_42" V1504 ZNC
320765	SLING_54" TYPE 5

---

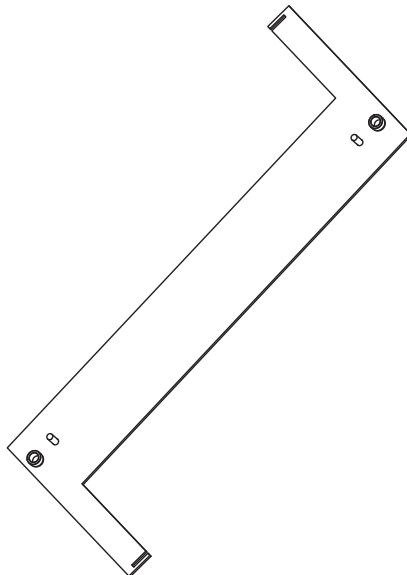
**Sling bracket, COP wall - 242858**



**Adjustable sling bracket - 242920**



**Sling Z bracket - 321112**



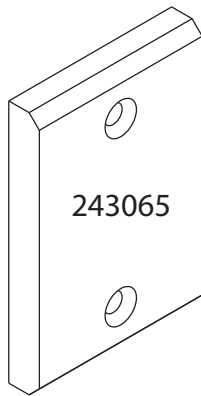
### Sling H/W kit - 320701

Part number	Description
102189-Y	WSHR_FLT 1/2 USS YLW ZINC
101106	NUT_HEX 1/2-13
105508	HHCS_1/2-13 X 4 YLW ZNC
102193	WSHR_LCK 1/2
104660	BOLT_PLTFM SPECIAL S/S
102188-Y	WSHR_FLT 3/8 USS YLW ZINC
102191-Y	WSHR_LCK 3/8 YLW ZINC
104403-Y	HHCS_3/8-16 X 3/4 YLW ZNC GR5
101052	CB_1/2-13 x 1 1/2 GR5

### Sling install kit - 320601

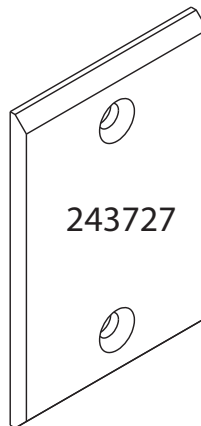
Part number	Description
105315-Y	NUT_HEX 1/2-13 JAM NYLK YLW ZN
106306	BOLT_HH 1/2 NC X 7.5" GR 5 ZNC
102188-Y	WSHR_FLT 3/8 USS YLW ZINC
102191-Y	WSHR_LCK 3/8 YLW ZINC
104403-Y	HHCS_3/8-16 X 3/4 YLW ZNC GR5

### Sling shim kit 3/8" - 320744 (for standard V-1504)



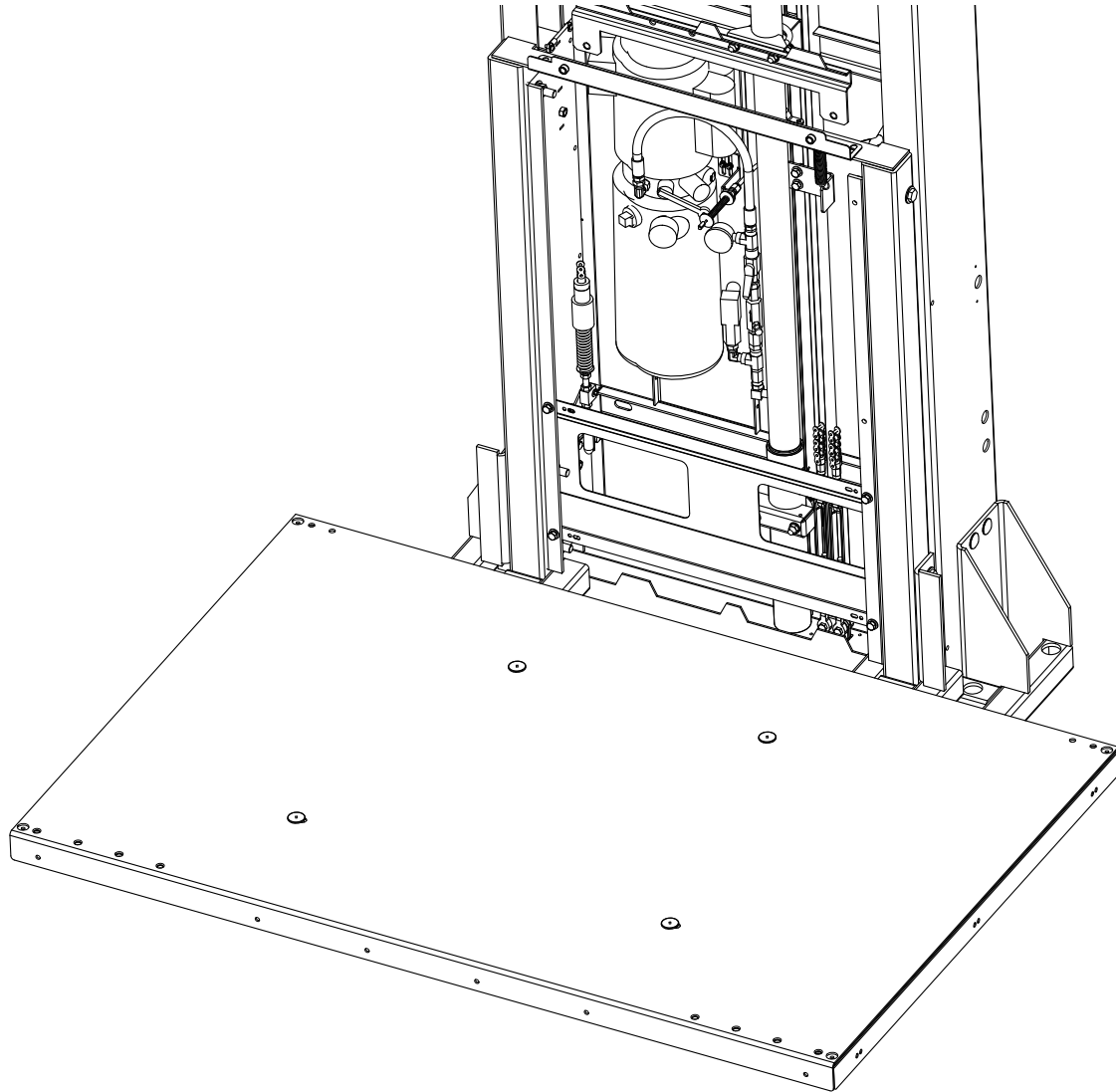
Part number	Description
243065	SHIM_CARRIAGE ASSY 3/8" THICK
104523	MS_FH #10-24 X .625 PLPS S/S

### Sling shim kit 3/16" - 320745 (for enclosure only)



Part number	Description
243727	SHIM_CARRIAGE ENCL V-1504 3/16" THICK
104523	MS_FH #10-24 X .625 PLPS S/S

## Platform



### Platform assemblies

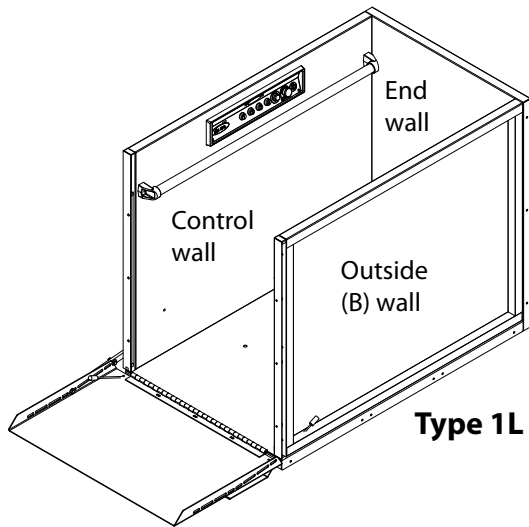
Part number	Description
320850	PLTFM_36"X48"
320850-Z	PLTFM_36"X48" ZINC
320850-T3C	PLTFM_36"X48" TYP 3 B36"
320850-T3CZ	PLTFM_36"X48" TYP 3 B36" ZINC
320850-T3	PLTFM_36"X48" TYP 3 B45"
320850-T3Z	PLTFM_36"X48" TYP 3 B45" ZINC
320850-T4C	PLTFM_36"X48" TYP 4 B36"
320850-T4CZ	PLTFM_36"X48" TYP 4 B36" ZINC
320850-T4	PLTFM_36"X48" TYP 4 B45"

<b>Part number</b>	<b>Description</b>
320850-T4Z	PLTFM_36"X48" TYP 4 B45" ZINC
320855	PLTFM_36"X54" TYP 1/2
320855-Z	PLTFM_36"X54" TYP 1/2 ZINC
323775-Z	PLTFM_36"X54" TYP 1,2 ZINC
320855-T3	PLTFM_36"X54" TYP 3
320855-T3Z	PLTFM_36"X54" TYP 3 ZINC
320855-T4	PLTFM_36"X54" TYP 4
320855-T4Z	PLTFM_36"X54" TYP 4 ZINC
320860	PLTFM_36"X60"
320860-Z	PLTFM_36"X60" ZINC
320860-T3	PLTFM_36"X60" TYP 3
320860-T3Z	PLTFM_36"X60" TYP 3 ZINC
320860-T4	PLTFM_36"X60" TYP 4
320860-T4Z	PLTFM_36"X60" TYP 4 ZINC
320870	PLTFM_42"X48" TYP 1/2
320870-Z	PLTFM_42"X48" TYP 1/2 ZINC
320870-T3C	PLTFM_42"X48" TYP 3 B36"
320870-T3CZ	PLTFM_42"X48" TYP 3 B36" ZINC
320870-T4C	PLTFM_42"X48" TYP 4 B36"
320870-T4CZ	PLTFM_42"X48" TYP 4 B36" ZINC
320875	PLTFM_42"X54" TYP 1\2
320875-Z	PLTFM_42"X54" TYP 1\2 ZINC
320875-T3	PLTFM_42"X54" TYP 3
320875-T3Z	PLTFM_42"X54" TYP 3 ZINC
320875-T4	PLTFM_42"X54" TYP 4
320875-T4Z	PLTFM_42"X54" TYP 4 ZINC
320880	PLTFM_42"X60" TYP 1\2
320880-Z	PLTFM_42"X60" TYP 1\2 ZINC
320880-T3	PLTFM_42"X60" TYP 3
320880-T3Z	PLTFM_42"X60" TYP 3 ZINC
320880-T4	PLTFM_42"X60" TYP 4
320880-T4Z	PLTFM_42"X60" TYP 4 ZINC

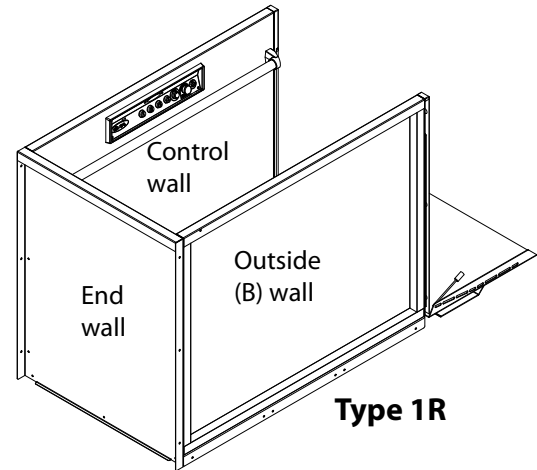


# Cab assembly

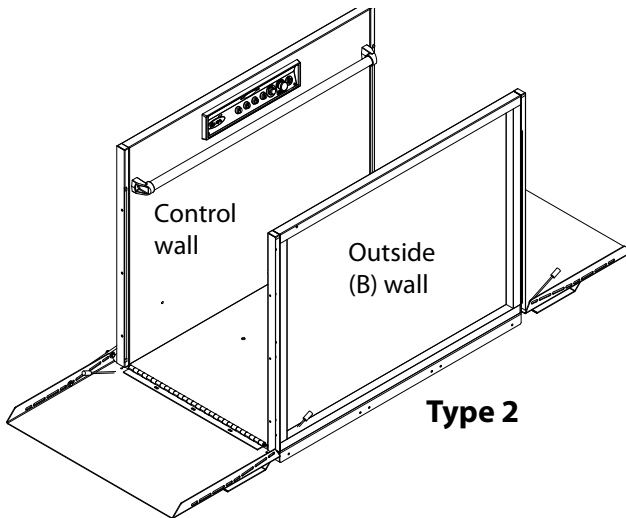
## Cab types



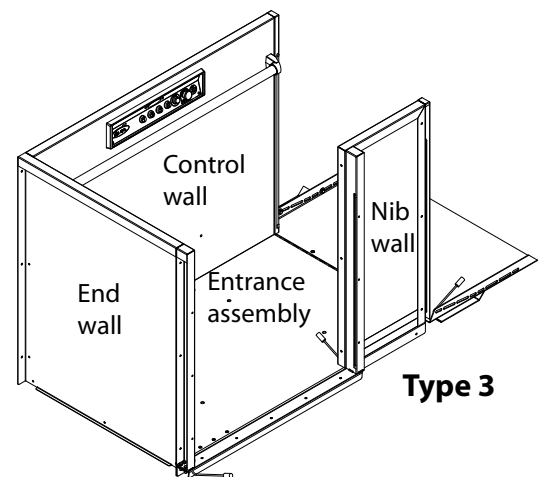
**Type 1L**



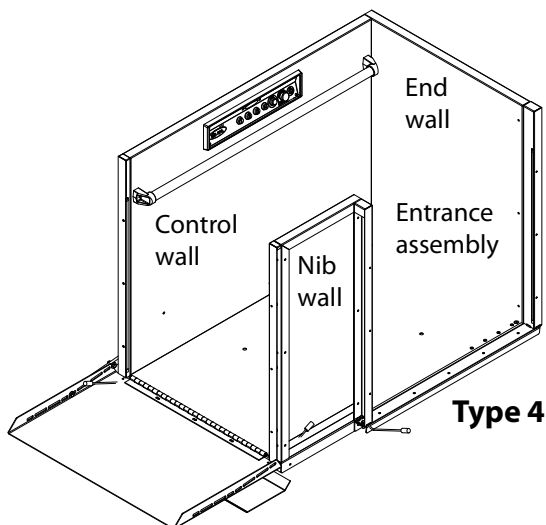
**Type 1R**



**Type 2**

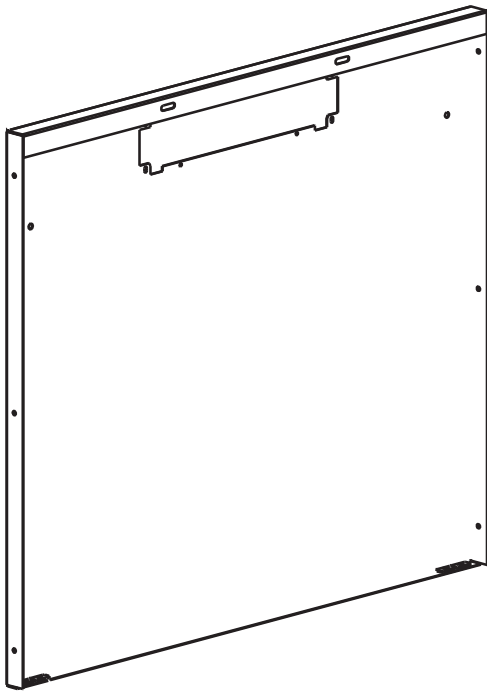


**Type 3**



**Type 4**

## Control (COP) wall assemblies



Part number	Description
320900	WALL_C 48"
320900-Z	WALL_C 48" ZINC
320900-LC	WALL_C 48" TYP 2 W/LC
320900-LCZ	WALL_C 48" TYP 2 W/LC ZINC
320900-1LC	WALL_C 48" TYP 1 W/LC
320900-1LCZ	WALL_C 48" TYP 1 W/LC ZINC
320916	WALL_C 54"
320916-Z	WALL_C 54" ZINC
320916-LC	WALL_C 54" TYP 2 W/LC
320916-LCZ	WALL_C 54" TYP 2 W/LC ZINC
320916-1LC	WALL_C 54" TYP 1 W/LC
320916-1LCZ	WALL_C 54" TYP 1 W/LC ZINC
320932	WALL_C 60"
320932-Z	WALL_C 60" ZINC
320932-LC	WALL_C 60" TYP 2 W/LC
320932-LCZ	WALL_C 60" TYP 2 W/LC ZINC
320932-1LC	WALL_C 60" TYP 1 W/LC

<b>Part number</b>	<b>Description</b>
320932-1LCZ	WALL_C 60" TYP 1 W/LC ZINC
320900-P	WALL_C 48" W/PHN
320916-P	WALL_C 54" W/PHN
320932-P	WALL_C 69" W/PHN
320900-P-Z	WALL_C 48" W/PHN ZINC
320916-P-Z	WALL_C 54" W/PHN ZINC
320932-P-Z	WALL_C 69" W/PHN ZINC
320900-SP	WALL_C 48" COP+SEAT+PHN W/A
320916-SP	WALL_C 54" COP+SEAT+PHN W/A
320932-SP	WALL_C 60" COP+SEAT+PHN W/A
320900-SP-Z	WALL_C 48" COP+SEAT+PHN W/A ZINC
320916-SP-Z	WALL_C 54" COP+SEAT+PHN W/A ZINC
320932-SP-Z	WALL_C 60" COP+SEAT+PHN W/A ZINC
320900-S	WALL_C 48" COP+SEAT W/A
320916-S	WALL_C 54" COP+SEAT W/A
320932-S	WALL_C 60" COP+SEAT W/A
320900-S-Z	WALL_C 48" COP+SEAT W/A ZINC
320916-S-Z	WALL_C 54" COP+SEAT W/A ZINC
320932-S-Z	WALL_C 60" COP+SEAT W/A ZINC

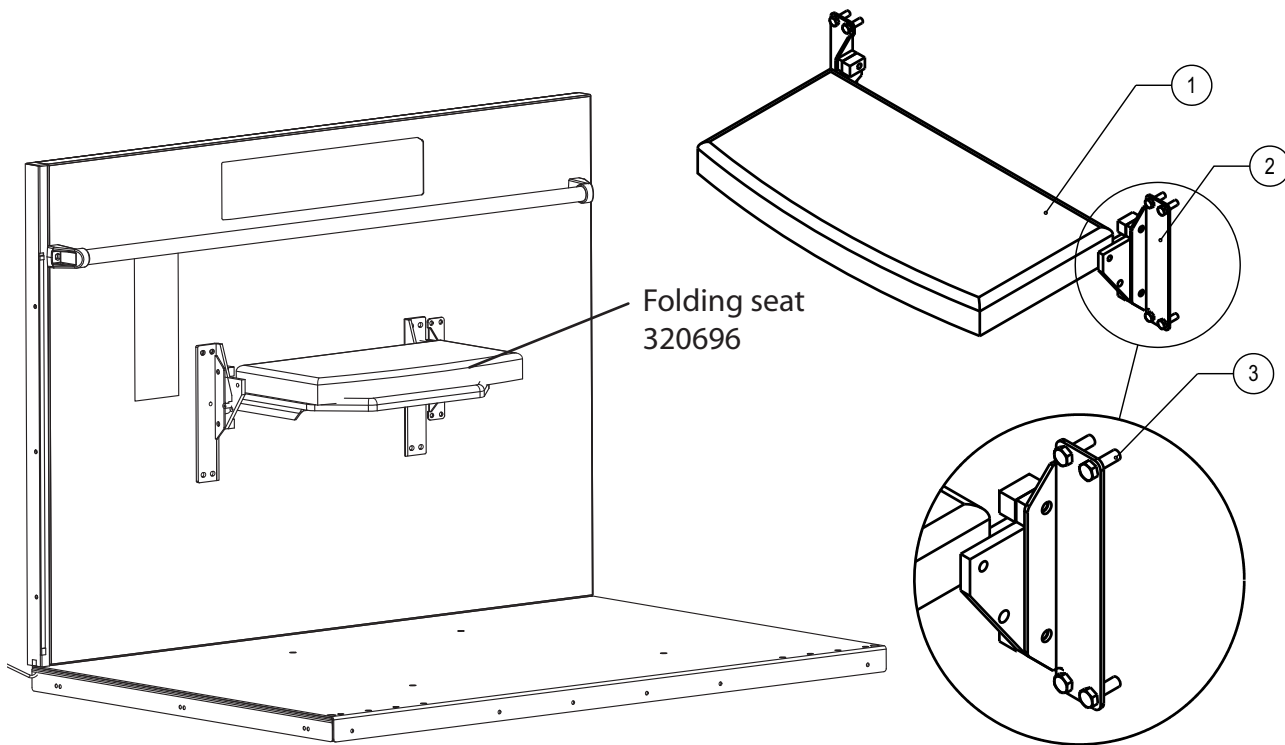
### **Control (COP) wall H/W kit - 320705**

<b>Part number</b>	<b>Description</b>
104403-Y	HHCS_3/8-16 X 3/4 YLW ZNC GR5
102188-Y	WSHR_FLT 3/8 USS YLW ZINC
102191-Y	WSHR_LCK 3/8 YLW ZINC
105283	NUT_FLANGE 3/8-16

### **COP mounting bracket and H/W**

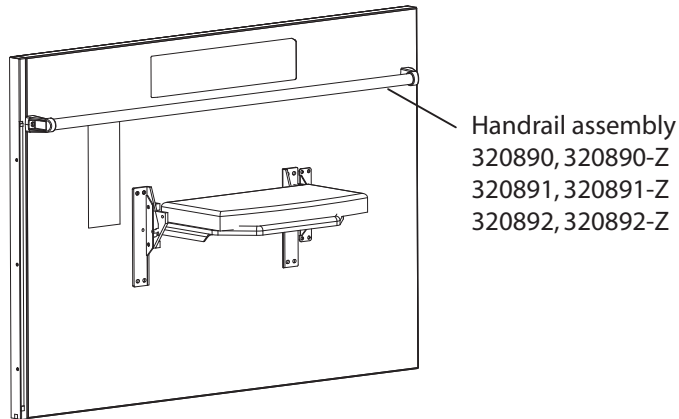
<b>Part number</b>	<b>Description</b>
242961	RING_MOUNTING COP
103271	SCREW_BHSC 8-32 X 1/2 S/S

## Seat assembly - 320696



Item	Part number	Description
1	241001	SEAT_FOLDING ASSY
2	242967	BRKT_ADPTR SEAT MOUNT V-1504
3	106325	HHCS_5/16-18 X 1 S/S

## Handrail assemblies



Part number	Description
320890	HANDRAIL_48"
320890-Z	HANDRAIL_48" ZINC
320891	HANDRAIL_54"
320891-Z	HANDRAIL_54" ZINC
320892	HANDRAIL_60"
320892-Z	HANDRAIL_60" ZINC

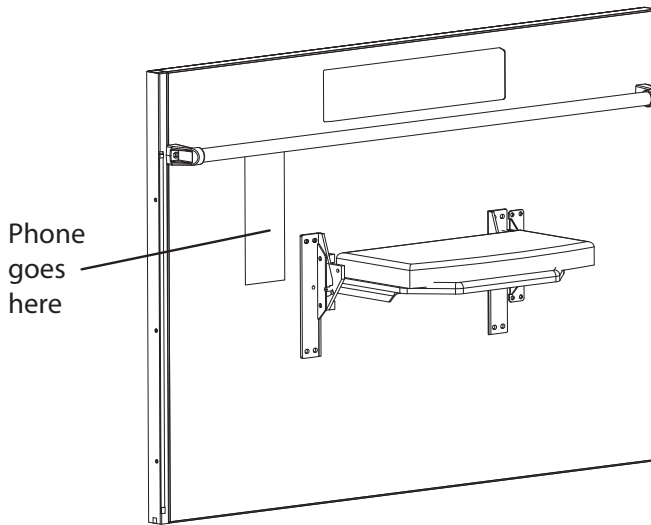
## Handrail H/W kit - 320707

Part number	Description
102747	WSHR_FLT 5/16 USS
102190	WSHR_LCK 5/16 ZNC
106325	HHCS_5/16-18 X 1 S/S
100544	NUT_HEX 5/16-18
MA2CBDB	HLDR_PLASTIC

## Handrail zinc H/W kit - 320707-Z

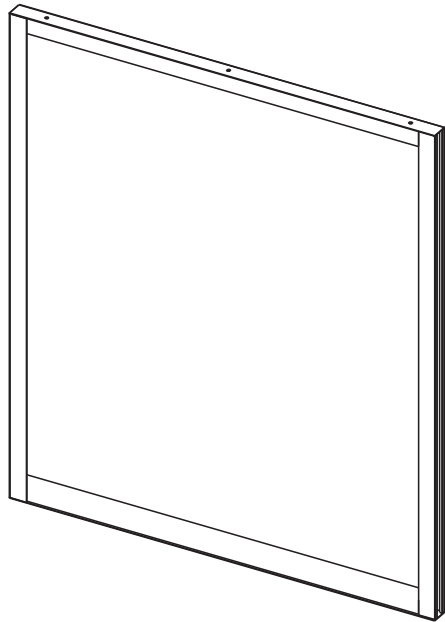
Part number	Description
102747	WSHR_FLT 5/16 USS
102190	WSHR_LCK 5/16 ZNC
106325	HHCS_5/16-18 X 1 S/S
100544	NUT_HEX 5/16-18
320652	MNTG_HANDLE ROUND 1.5"
102763	WSHR_FENDER 3/8 x 1 1/2

## Phone kit, on platform - 243617



Item	Part number	Description
1	105635	HOLDER_PHN V-1504-TEL
2	105634	PHONE_APH 7111-05 AUDIOLOGIC
3	105630	JACK_PHONE V1504
4	105493	CAP_SNAP WSHR 6-8 GA CREAM
5	105503	CAP_SNAP WSHR 12-14 GA CREAM
6	105418-Y	SCRW_SM PHR #8X3/4 TEK YLW ZNC
7	102113	SCRW_SM PHP #8 x 3/4

## Outside wall (B-wall) assemblies



Part number	Description
320951	WALL_OS 48"
320951-Z	WALL_OS 48" ZINC
320951-LC	WALL_OS 48" TYP 2 W/LC
320951-LCZ	WALL_OS 48" TYP 2 W/LC ZINC
320951-1LC	WALL_OS 48" TYP 1 W/LC
320951-1LCZ	WALL_OS 48" TYP 1 W/LC ZINC
320955	WALL_OS 54"
320955-Z	WALL_OS 54" ZINC
320955-LC	WALL_OS 54" TYP 2 W/LC
320955-LCZ	WALL_OS 54" TYP 2 W/LC ZINC
320955-1LC	WALL_OS 54" TYP 1 W/LC
320955-1LCZ	WALL_OS 54" TYP 1 W/LC ZINC
320959	WALL_OS 60"
320959-Z	WALL_OS 60" ZINC
320959-LC	WALL_OS 60" TYP 2 W/LC
320959-LCZ	WALL_OS 60" TYP 2 W/LC ZINC
320959-1LC	WALL_OS 60" TYP 1 W/LC
320959-1LCZ	WALL_OS 60" TYP 1 W/LC ZINC

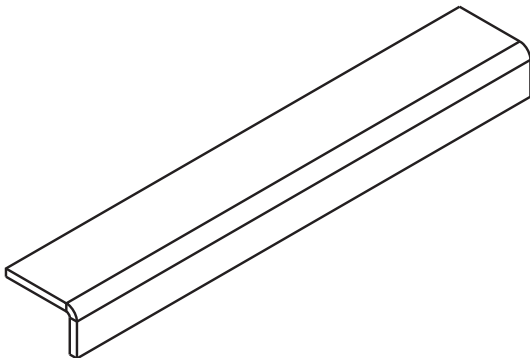
### Outside wall (B-wall) H/W kit - 320704

Part number	Description
102188-Y	WSHR_FLT 3/8 USS YLW ZINC
102191-Y	WSHR_LCK 3/8 YLW ZINC
102201-Y	HHCS_3/8-16 x 1 1/4 YLW ZINC
104652	MS_THP 1/4-20 X 5/8

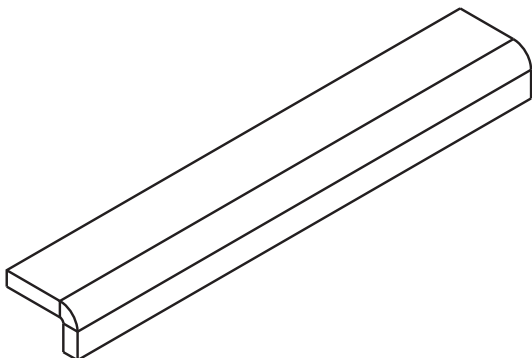
### Outside wall (B-wall) flange and shims

Part number	Description
242937	FLANGE_WALL BOLT DOWN
320645	SHIM_B WALL
320645-M	SHIM_ALUM B WALL
320645	SHIM_THICK B WALL
320645-MT	SHIM_ALUM THICK B WALL

### Outside wall (B-wall) shim - 320645

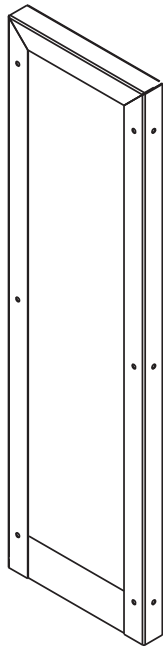


### Outside wall (B-wall) shim, thick - 320645-T





## Nib wall (narrow B-wall) assemblies



Part number	Description
320985	WALL_NIB 48" TYP 3/4 W/A
320985-Z	WALL_NIB 48" TYP 3/4 W/A ZINC
320180	WALL_NIB 48" TYP 3/4 45" OPENING
320989	WALL_NIB 54" TYP 3/4 W/A
320989-Z	WALL_NIB 54" TYP 3/4 W/A ZINC
320989-B	WALL_NIB 54" TYP 3/4 45" OPENING
320989-BZ	WALL_NIB 54" TYP 3/4 45" OPENING ZINC
320993	WALL_NIB 60" TYP 3/4 W/A
320993-Z	WALL_NIB 60" TYP 3/4 W/A ZINC
320993-B	WALL_NIB 60" TYP 3/4 45" OPENING
320989-BZ	WALL_NIB 60" TYP 3/4 45" OPENING ZINC

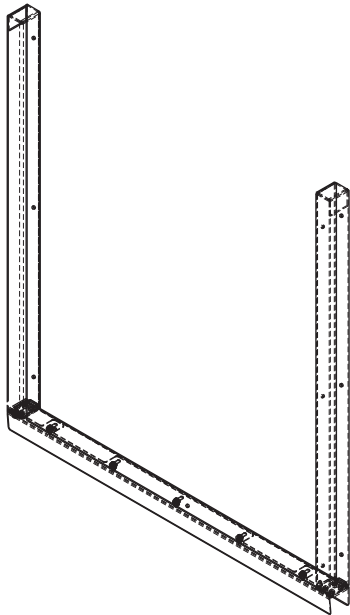
**Nib wall (narrow B-wall) H/W kit - 320746**

<b>Part number</b>	<b>Description</b>
102188-Y	WSHR_FLT 3/8 USS YLW ZINC
102191-Y	WSHR_LCK 3/8 YLW ZINC
102201-Y	HHCS_3/8-16 x 1 1/4 YLW ZINC
102256	PEM_STUD HFH-0616-12ZI
105283-Y	NUT_FLANGE 3/8-16 YLW ZINC

**Nib wall (narrow B-wall) flange**

<b>Part number</b>	<b>Description</b>
242937-LC	FLANGE_WALL BOLT DOWN W/LGHCRT

## Entrance assemblies (outside B-wall)

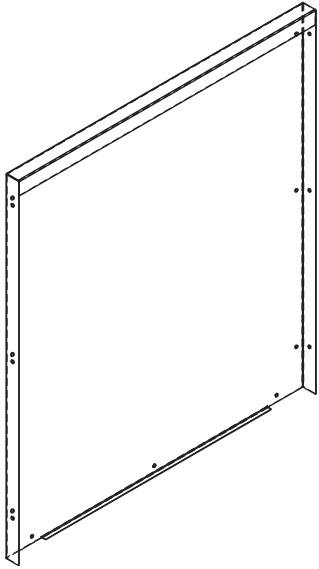


Part number	Description
320894	ENTRANCE _B TYP 3/4 36"
320994-Z	ENTRANCE _B TYP 3/4 36" ZINC
320895	ENTRANCE _B TYP 3/4 45"
320895-z	ENTRANCE _B TYP 3/4 45" ZINC

## B-entrance H/W kit - 320731

Part number	Description
104658	HHCS_1/4-20 X 1" S/S
104422	WSHR_LCK 1/4 S/S
104661	NUT_1/4 X 20 S/S

## End wall assemblies



Part number	Description
320968	WALL_E 36" OPENING
320968-Z	WALL_E 36" OPENING ZINC
320969	WALL_E 42" OPENING
320969-Z	WALL_E 42" OPENING ZINC

## Toe guards

Part number	Description
320885	TOEGUARD_N/HOLE 36"
320885-B	TOEGUARD_N/HOLE 36" B45" TY3/4
320886	TOEGUARD_N/HOLE 42"

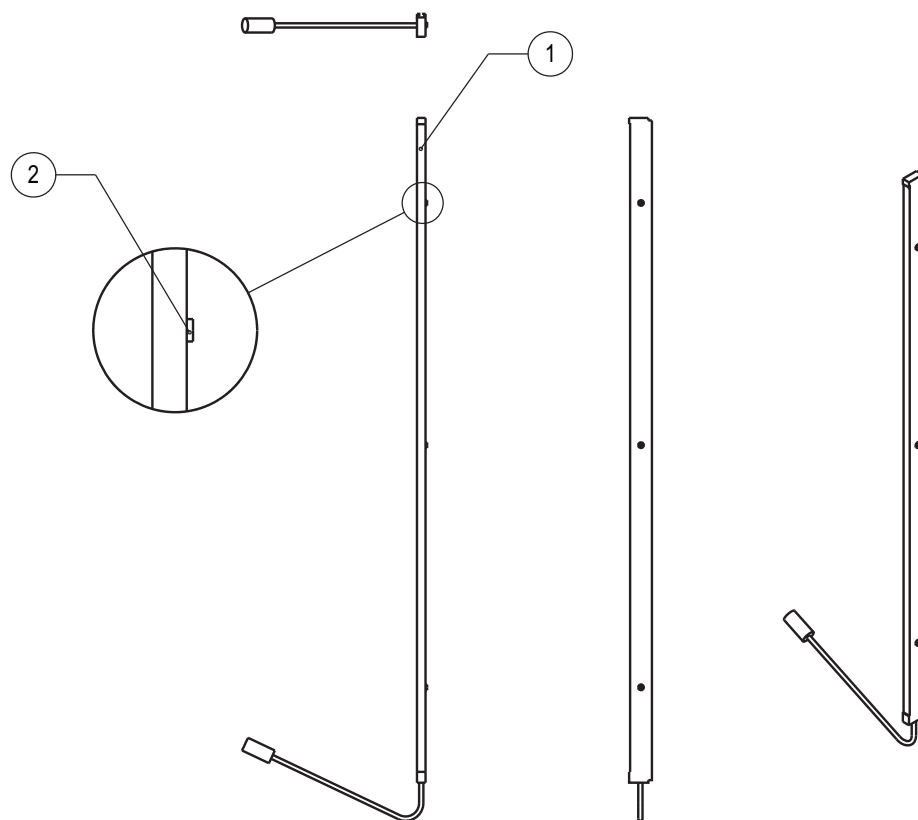
## End wall H/W kit - 320706

Part number	Description
104658	HHCS_1/4-20 X 1" S/S
105474-Y	NUT_FLANGE 1/4-20 YLW ZNC LCK

## Entrance H/W kit - 320730

Part number	Description
105474-Y	NUT_FLANGE 1/4-20 YLW ZNC LCK

## Light screen pair with PEM nuts - 320713



Item	Part number	Description
1	105273	CURTAIN_LIGHT 850mm
2	103663	PEM_NUT S-0632-1ZI SELF CLNCHG
--	320313-LZ	POST_LGHT CURTAIN LH
--	320313-RZ	POST_LGHT CURTAIN RH

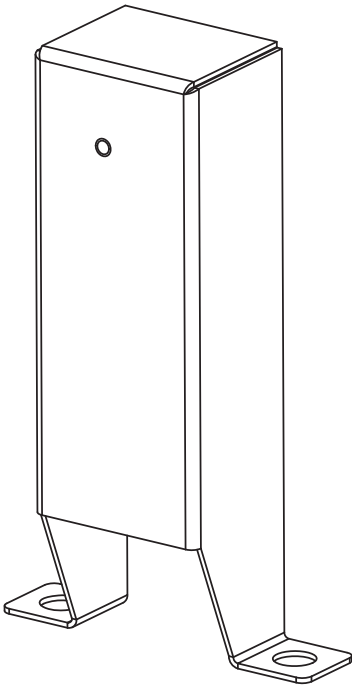
## Light screen H/W kit - 320712

Part number	Description
100155-Y	HHCS_1/4-20 x 1/2 YLW ZNC
103398-Y	HHCS_1/4-20 x 1 F/T YLW ZINC
105474-Y	NUT_FLANGE 1/4-20 YLW ZNC LCK
109120	SCRW_CAP BH 1/4-20X3/4 18-8S/S
106158	NUT_HEX 1/4-20 JAM S/S

## Light screen power supply - 301568



## Light screen power supply cover - 242960



### Plug kit - 320708

Part number	Description
105374	PLUG_5/16 PLASTIC 859-629
105354	SEAL_KNOCKOUT 7/8" PLASTIC
105589	TIE_WIRE MNT 1" X 1"
105587	TIE_WIRE 11.5
105590	CON_CONDUIT 1/2" STRAIGHT INSL

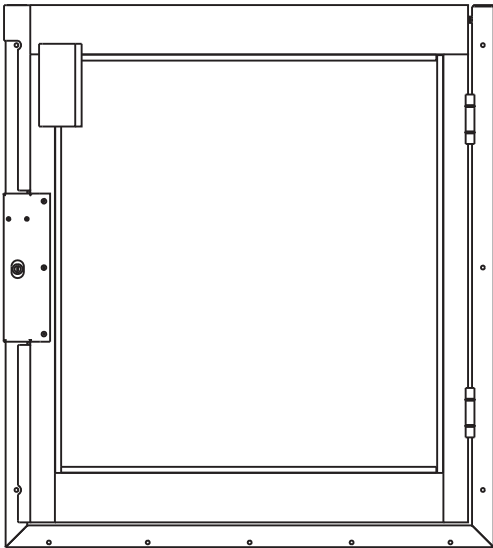
### Safety rod kit - 248651

Part number	Description
106357	SCRW_SM #14X3/4 SLF TAP HD BRE
101196-Y	WSHR_FLT 1/4 USS YLW ZINC HRD
101238	SLEEVE_CABLE 1/16 ALUM
102791	CBL_WIRE ROPE .06sst rgb23"
105758	PIN_BLOCKER 1/2" X 4"
101213	WSHR_LCK 1/4 MED SPLT ZNC

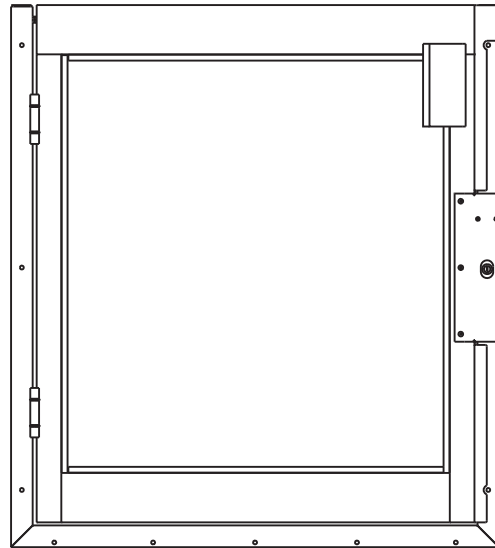
# Platform gate

## Platform gates, WR-500 lock

Left hand



Right hand



Part number	Description
320537	GT_PLTFM 36" LH WR500 ZNC
320537-C	GT_PLTFM 36" LH WR500 CLR
320537-B	GT_PLTFM 36" LH WR500 BRNZ
320537-TC	GT_PLTFM 36" LH WR500 TMP CND
320537-TU	GT_PLTFM 36" LH WR500 TMP US
320537-LC	GT_PLTFM 36" LH WR500 LMD CND
320537-LU	GT_PLTFM 36" LH WR500 LMD US
320538	GT_PLTFM 36" RH WR500 ZNC
320538-C	GT_PLTFM 36" RH WR500 CLR
320538-B	GT_PLTFM 36" RH WR500 BRNZ
320538-TC	GT_PLTFM 36" RH WR500 TMP CND
320538-TU	GT_PLTFM 36" RH WR500 TMP US
320538-LC	GT_PLTFM 36" RH WR500 LMD CND
320538-LU	GT_PLTFM 36" RH WR500 LMD US
320907	GT_PLTFM 42" RH WR500 ZNC



320907-C	GT_PLTFM 42" RH WR500 CLR
320907-B	GT_PLTFM 42" RH WR500 BRNZ
320907-TC	GT_PLTFM 42" RH WR500 TMP CND
320907-TU	GT_PLTFM 42" RH WR500 TMP US
320907-LC	GT_PLTFM 42" RH WR500 LMD CND
320907-LU	GT_PLTFM 42" RH WR500 LMD US
320908	GT_PLTFM 42" LH WR500 ZNC
320908-C	GT_PLTFM 42" LH WR500 CLR
320908-B	GT_PLTFM 42" LH WR500 BRNZ
320908-TC	GT_PLTFM 42" LH WR500 TMP CND
320908-TU	GT_PLTFM 42" LH WR500 TMP US
320908-LC	GT_PLTFM 42" LH WR500 LMD CND
320908-LU	GT_PLTFM 42" LH WR500 LMD US
320915	GT_PLTFM 45" RH WR500 ZNC
320915-C	GT_PLTFM 45" RH WR500 CLR
320915-B	GT_PLTFM 45" RH WR500 BRNZ
320915-TC	GT_PLTFM 45" RH WR500 TMP CND
320915-TU	GT_PLTFM 45" RH WR500 TMP US
320915-LC	GT_PLTFM 45" RH WR500 LMD CND
320915-LU	GT_PLTFM 45" RH WR500 LMD US
320917	GT_PLTFM 45" LH WR500 ZNC
320917-C	GT_PLTFM 45" LH WR500 CLR
320917-B	GT_PLTFM 45" LH WR500 BRNZ
320917-TC	GT_PLTFM 45" LH WR500 TMP CND
320917-TU	GT_PLTFM 45" LH WR500 TMP US
320917-LC	GT_PLTFM 45" LH WR500 LMD CND
320917-LU	GT_PLTFM 45" LH WR500 LMD US
320538-AUTO	GT_PLTFM AUTO 36" RH WR500 ZNC
320537-AUTO	GT_PLTFM AUTO 36" LH WR500 ZNC
320908-AUTO	GT_PLTFM AUTO 42" LH WR500 ZNC
320907-AUTO	GT_PLTFM AUTO 42" RH WR500 ZNC
320915-AUTO	GT_PLTFM AUTO 45" RH WR500 ZNC
320917-AUTO	GT_PLTFM AUTO 45" LH WR500 ZNC

---

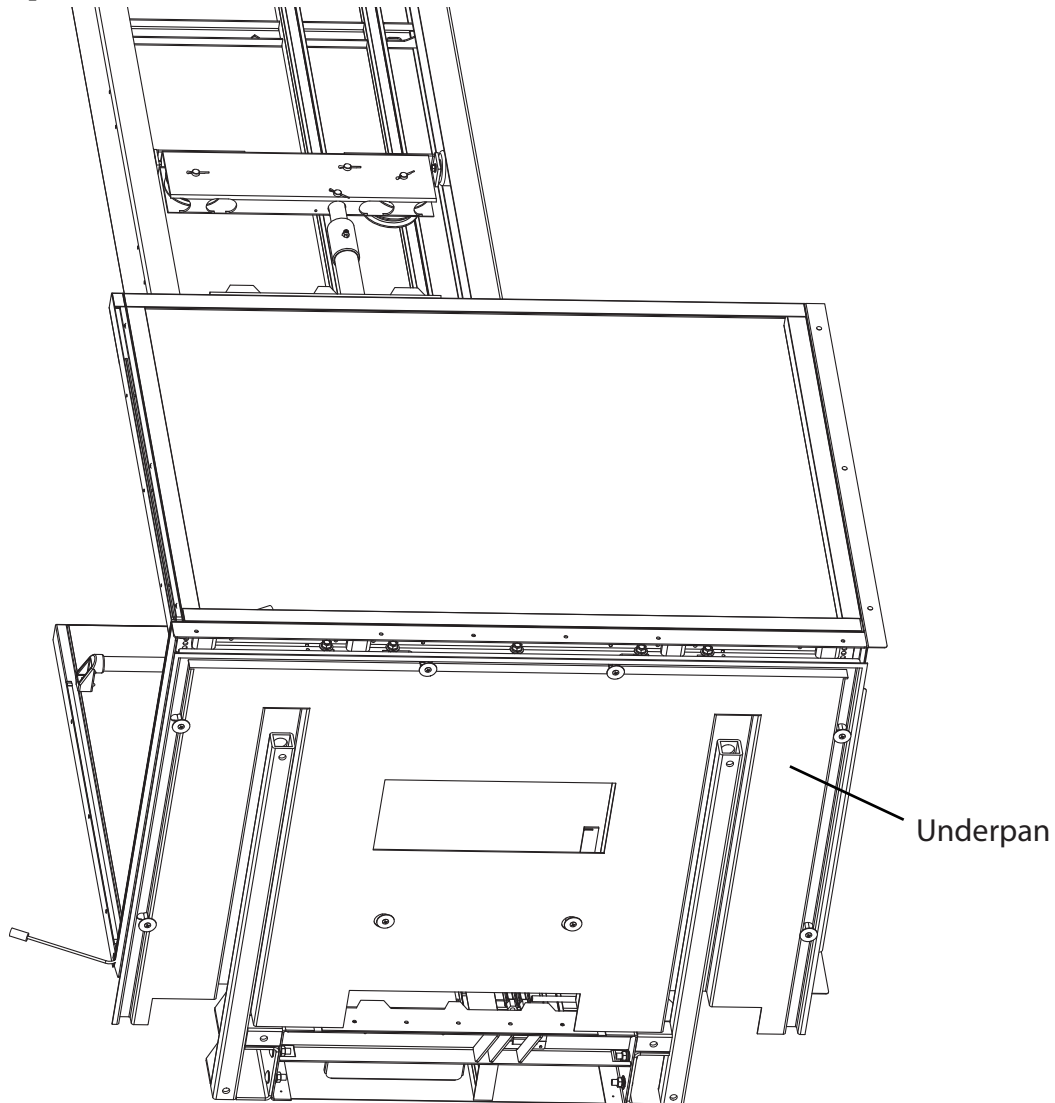
**Platform gate H/W kit - 320732**

<b>Part number</b>	<b>Description</b>
106417	MS_THP 1/4-20 X 2 1/2 S/S
104422	WSHR_LCK 1/4 S/S
104661	NUT_1/4 X 20 S/S
103443	WSHR_FLT 1/4 SMALLOD S/S

**Platform gate harness**

<b>Part number</b>	<b>Description</b>
245511	HRNS_V-1504 PLTFM WR500

## Underpan



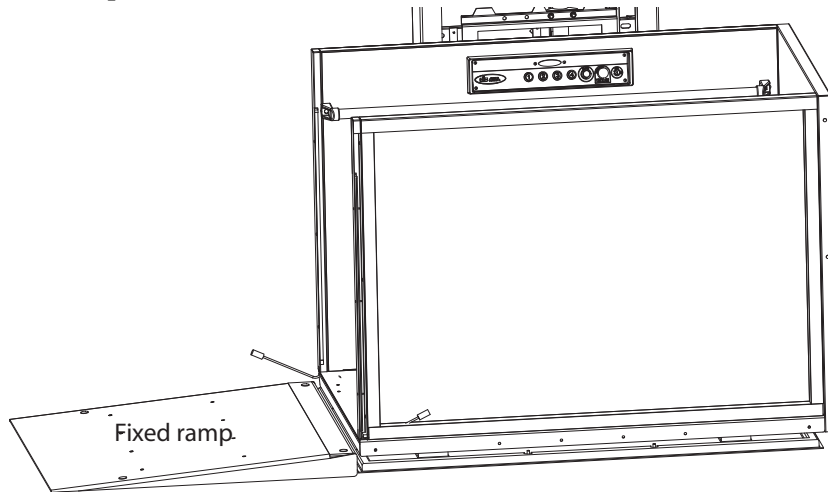
### Underpan assemblies

Part number	Description
320793	UPAN_36 X 48 N/GT
320794	UPAN_36 X 54 N/GT
320795	UPAN_36 X 60 N/GT
320796	UPAN_42 X 48 N/GT
320797	UPAN_42 X 54 N/GT
320798	UPAN_42 X 60 N/GT
320735	PLT_UPAN EXTENDED
320755	PLT_UPAN EXTENDED 45" OPENING
320771	PLT_UPAN EXTENDED 42" OPENING

**Underpan kit - 320739**

<b>Part number</b>	<b>Description</b>
105317	SCRW_U/PAN 1/4-20 1 1/2
104370	WSHR_FLT 3/8" LARGEOD S/S
100648	TIE_WIRE ADHSV MNT 3/4 x 3/4
100650	TIE_WIRE 7.75"
248901	SW_MICRO BVM3F-ULS W/LONG ARM
106330	HRNS_V-1504 UNDERPAN SW
100136	MS_PHP 4-40 x 1
102301-Y	NUT_HEX 4-40 YLW ZINC
102302	WSHR_FLT #4 SAE
102303	WSHR_LCK #4
321113	WSHR_U/PAN V-1504 PLUS

## Fixed ramp



### Fixed ramp assemblies

Part number	Description
247644	RAMP_ASSY 3" HIGH (8:1)
247644-Z	RAMP_ASSY 3" HIGH (8:1)
247644-W	RAMP_ASSY FIXED (8:1) 42"
247644-W-Z	RAMP_ASSY FIXED (8:1) 42"
247646	RAMP_ASSY 3" HIGH (12:1)
247646-Z	RAMP_ASSY 3" HIGH (12:1)
247646-W	RAMP_ASSY FIXED (12:1) 42"
247646-W-Z	RAMP_ASSY FIXED (12:1) 42"

### Anchor kit (ramp to floor) - 207125

Part number	Description
102251	ANCR_WEDGE 1/2 X 4 1/4
101106	NUT_HEX 1/2-13
102193	WSHR_LCK 1/2
104531	WSHR_FLT .56IDx1.375ODx.11ZNC
103023	BAG_SHIPPING 9 X 12 0.004 MIL

### Plug kit 7/8 (for ramp) - 320747

Part number	Description
104860	PLUG_METAL 7/8" BARE

## Folding ramp (optional)

### Folding ramp assemblies

Part number	Description
320941-R	RAMP_36" FOLDING RH, 16" DEEP
320941-L	RAMP_36" FOLDING LH, 16" DEEP
320945-R	RAMP_42" FOLDING RH, 16" DEEP
320945-L	RAMP_42" FOLDING LH, 16" DEEP
320998-R	RAMP_36" FOLDING RH, 24" DEEP
320998-L	RAMP_36" FOLDING LH, 24" DEEP
320999-R	RAMP_42" FOLDING RH, 24" DEEP
320999-L	RAMP_42" FOLDING LH, 24" DEEP
320259-R	KIT_RAMP B355 LH
320259	KIT_RAMP B355 RH

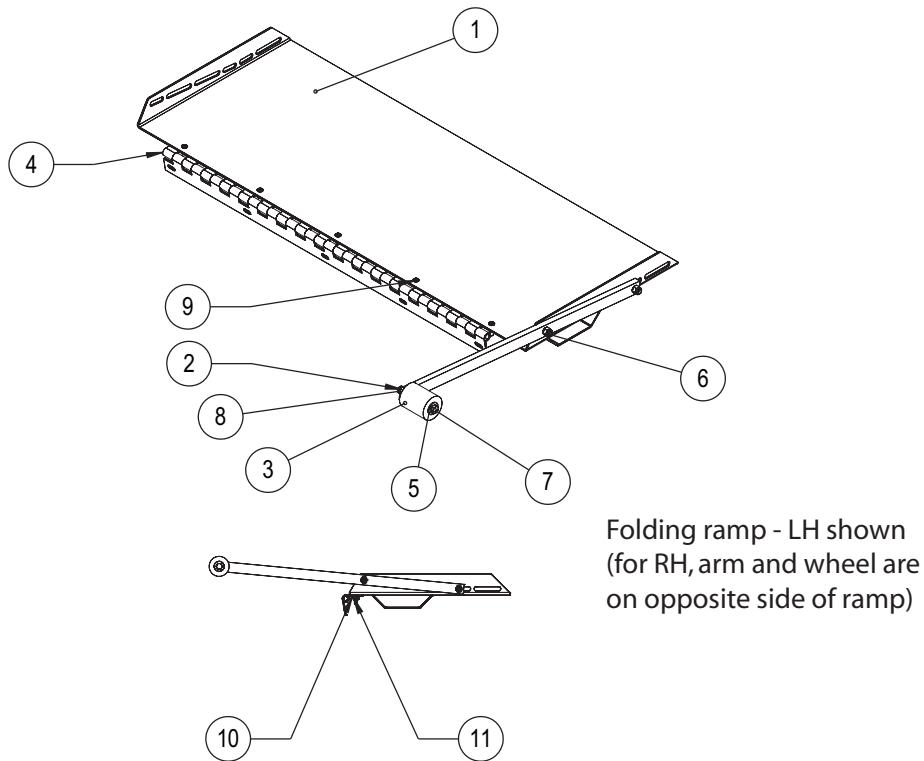
### Folding ramp H/W kit - 320729

Part number	Description
104652	MS_THP 1/4-20 X 5/8
103443	WSHR_FLT 1/4 SMALLOD S/S
101930-Y	NUT_HEX 1/4-20 NYLOK YLW ZINC

### Ramp brackets

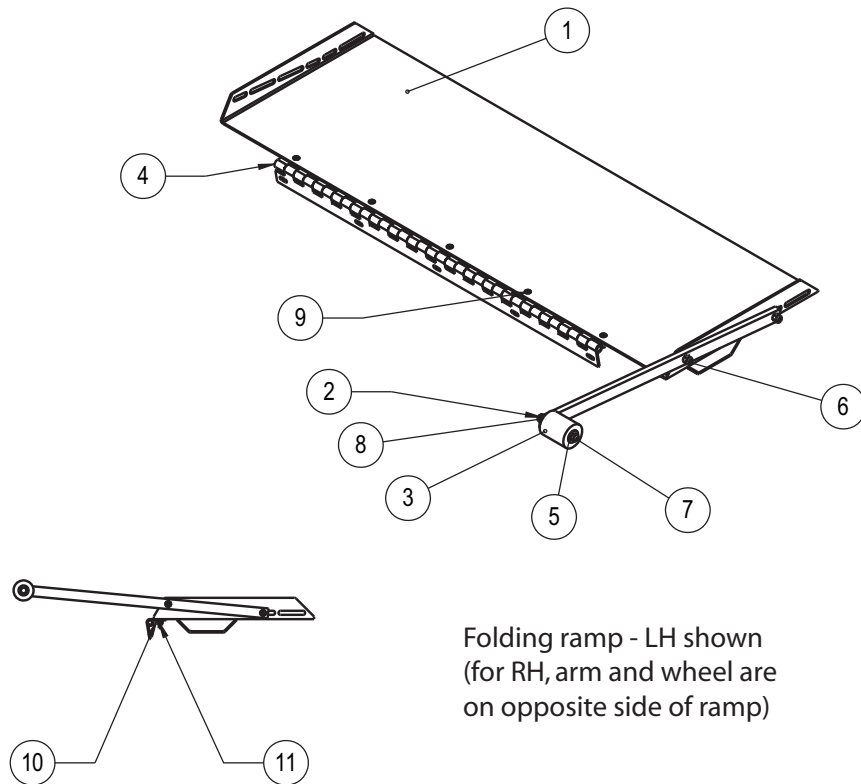
Part number	Description
320888	BRKT_RAMP/WALL 36"
320888-B	BRKT_RAMP/WALL 36" B45" TYPE 3/4
320889	BRKT_RAMP/WALL 42"

## Folding ramp, 36" opening, 16" deep - 320941-R, 320941-L



Item	Part number	Description
1	320942	RAMP_36" OP V1504P 16"D
2	242884	ARM_ACTUATOR RAMP V-1504
3	MA2CGCB	WHEEL_FOLDING RAMP ACTUATOR
4	MC2CGA	HINGE_PIANO 3 X 1/8 X 34"
5	102188-Y	WSHR_FLT 3/8 USS YLW ZINC
6	102201-Y	HHCS_3/8-16 x 1 1/4 YLW ZINC
7	104993	HHCS_3/8-16 X 3.5 S/S
8	104399	NUT_HEX 3/8-16 NYLOK S/S
9	104923	MS_FHP 1/4-20 X 1 S/S
10	101196-Y	WSHR_FLT 1/4 USS YLW ZINC HRD
11	101930-Y	NUT_HEX 1/4-20 NYLOK YLW ZINC

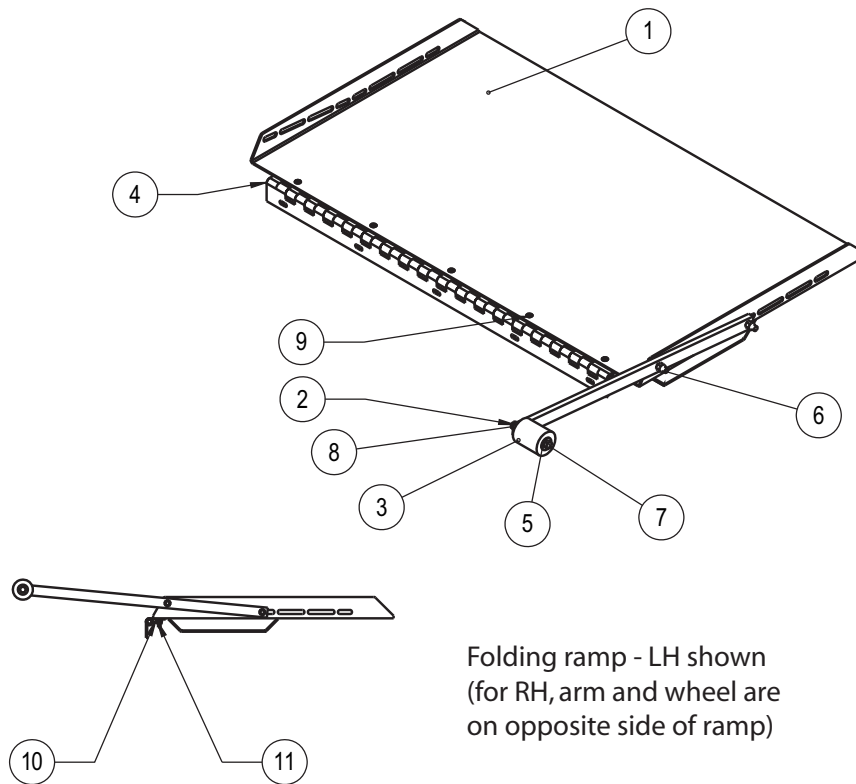
## Folding ramp, 42" opening, 16" deep - 320945-R, 320945-L



Item	Part number	Description
1	320942-S	RAMP_42" OP 16" V1504PLS W/A
2	242884	ARM_ACTUATOR RAMP V-1504
3	MA2CGCB	WHEEL_FOLDING RAMP ACTUATOR
4	MC2CGA	HINGE_PIANO 3 X 1/8 X 34"
5	102188-Y	WSHR_FLT 3/8 USS YLW ZINC
6	102201-Y	HHCS_3/8-16 x 1 1/4 YLW ZINC
7	104993	HHCS_3/8-16 X 3.5 S/S
8	104399	NUT_HEX 3/8-16 NYLOK S/S
9	104923	MS_FHP 1/4-20 X 1 S/S
10	101196-Y	WSHR_FLT 1/4 USS YLW ZINC HRD
11	101930-Y	NUT_HEX 1/4-20 NYLOK YLW ZINC

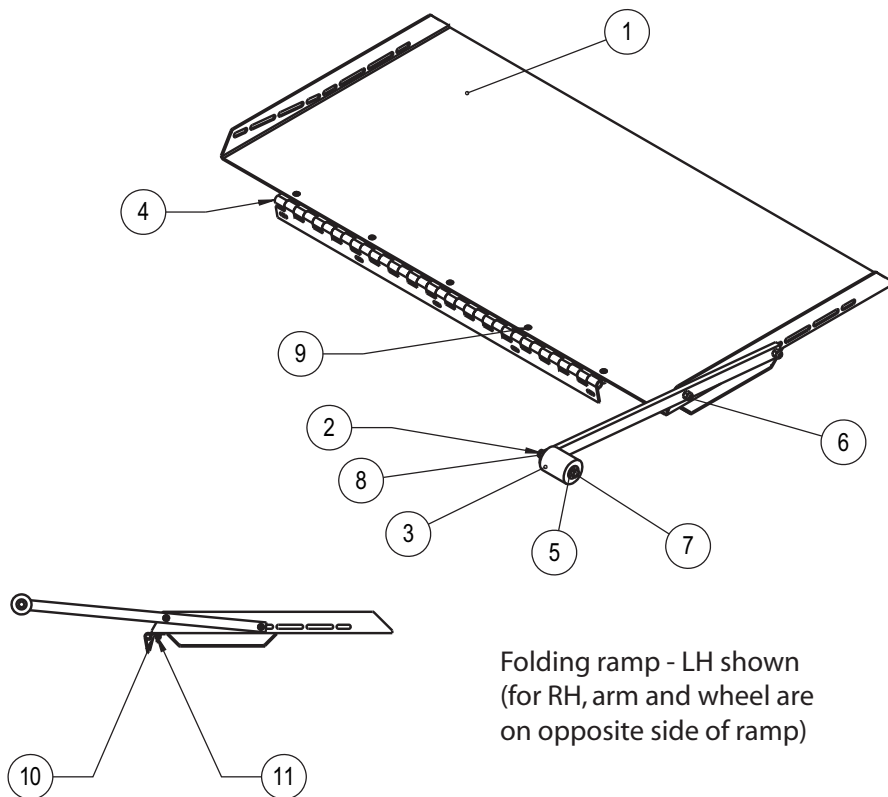


## Folding ramp, 36" opening, 24" deep - 320998-R, 320998-L



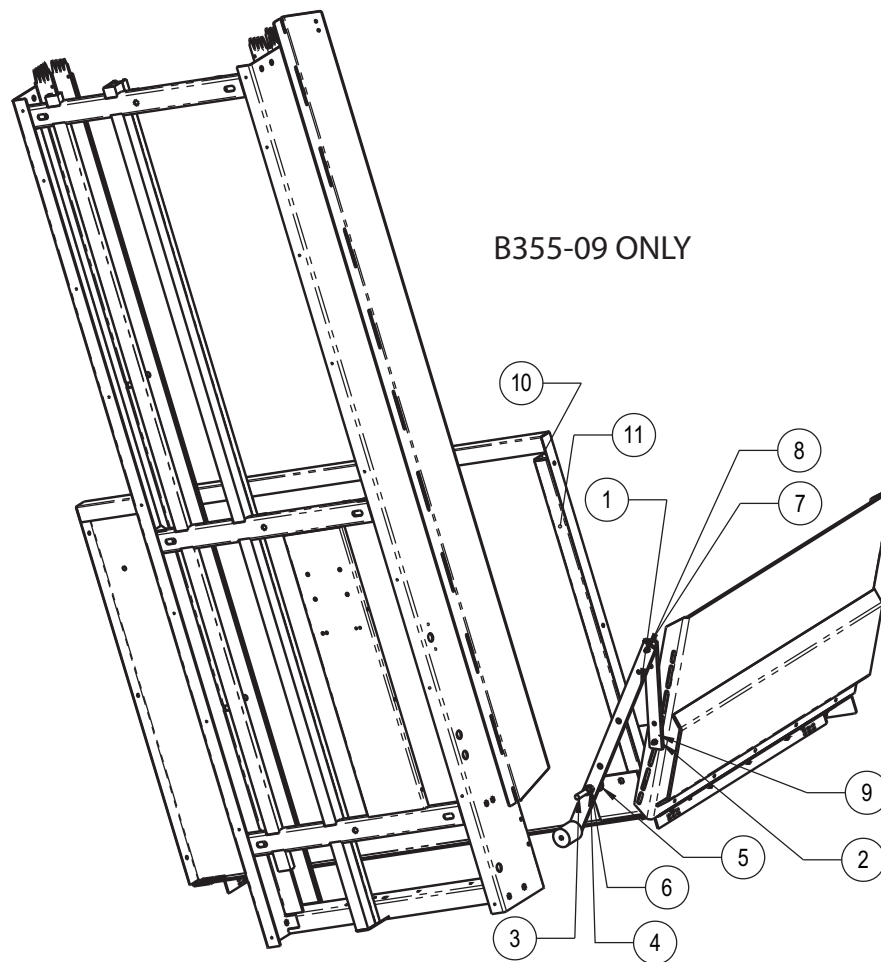
Item	Part number	Description
1	242946	RAMP_36" OP V1504P 24"D
2	242884	ARM_ACTUATOR RAMP V-1504
3	MA2CGCB	WHEEL_FOLDING RAMP ACTUATOR
4	MC2CGA	HINGE_PIANO 3 X 1/8 X 34"
5	102188-Y	WSHR_FLT 3/8 USS YLW ZINC
6	102201-Y	HHCS_3/8-16 x 1 1/4 YLW ZINC
7	104993	HHCS_3/8-16 X 3.5 S/S
8	104399	NUT_HEX 3/8-16 NYLOK S/S
9	104923	MS_FHP 1/4-20 X 1 S/S
10	101196-Y	WSHR_FLT 1/4 USS YLW ZINC HRD
11	101930-Y	NUT_HEX 1/4-20 NYLOK YLW ZINC

## Folding ramp, 42" opening, 24" deep - 320999-R, 320999-L



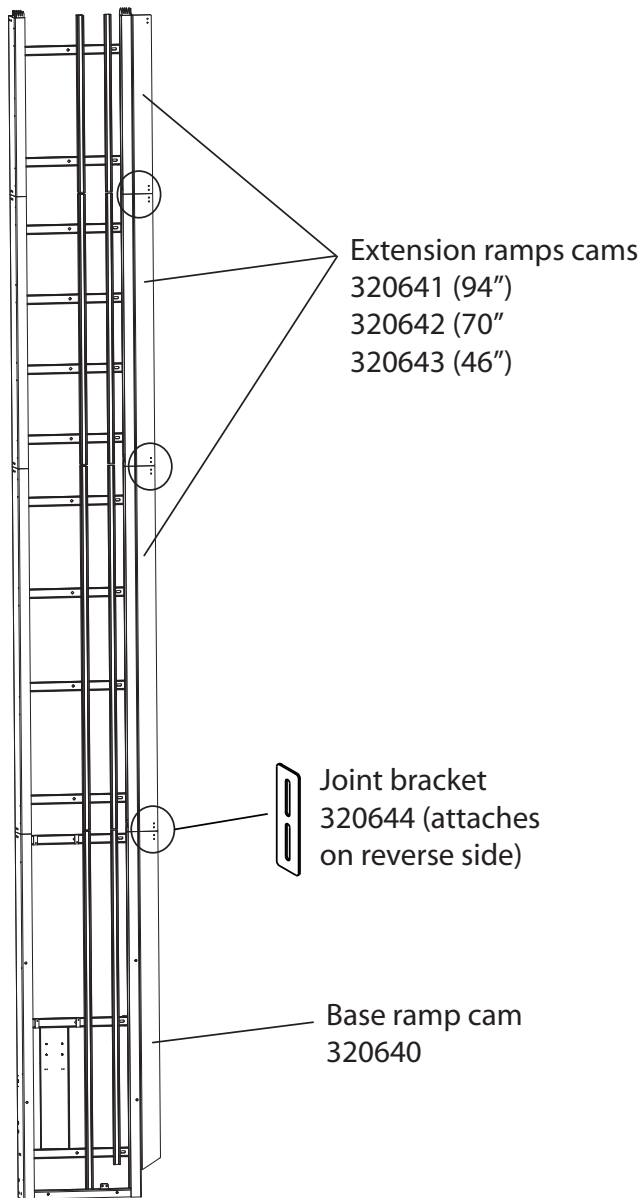
Item	Part number	Description
1	242946-S	RAMP_42" OP V1504P 24"D
2	242884	ARM_ACTUATOR RAMP V-1504
3	MA2CGCB	WHEEL_FOLDING RAMP ACTUATOR
4	MC2CGA	HINGE_PIANO 3 X 1/8 X 34"
5	102188-Y	WSHR_FLT 3/8 USS YLW ZINC
6	102201-Y	HHCS_3/8-16 x 1 1/4 YLW ZINC
7	104993	HHCS_3/8-16 X 3.5 S/S
8	104399	NUT_HEX 3/8-16 NYLOK S/S
9	104923	MS_FHP 1/4-20 X 1 S/S
10	101196-Y	WSHR_FLT 1/4 USS YLW ZINC HRD
11	101930-Y	NUT_HEX 1/4-20 NYLOK YLW ZINC

## B355 folding ramp kit - 320259-R, 320259



Item	Part number	Description
1	320253	ARM_ACTUATOR RAMP B355
2	320254	BAR_JOIN RAMP B355
3	105687	CB_1/2 X 4.5 UNC GR 5 ZNC
4	101106	NUT_HEX 1/2-13
5	102189-Y	WSHR_FLT 1/2 USS YLW ZINC
6	102193-Y	WSHR_LCK 1/2 YLW ZNC
7	109173	BOLT_SHLDR 3/8"X3/4"X5/16"-18
8	102951	NUT_HEX 5/16-18 NYLOK
9	102188-Y	WSHR_FLT 3/8 USS YLW ZINC
10	101485	CAP_PLUG 1.75x1.75 SQR BLK
11	320252-L	POST_WELD RAMP B355 LH

## Folding ramp cams



FRONT VIEW

Part number	Description
320640	CAM_RAMP BASE RH
320640-L	CAM_RAMP BASE LH
320641	CAM_RAMP 94" EXT
320642	CAM_RAMP 70" EXT
320643	CAM_RAMP 46" EXT
320644	BRACKET_JOINT CAM

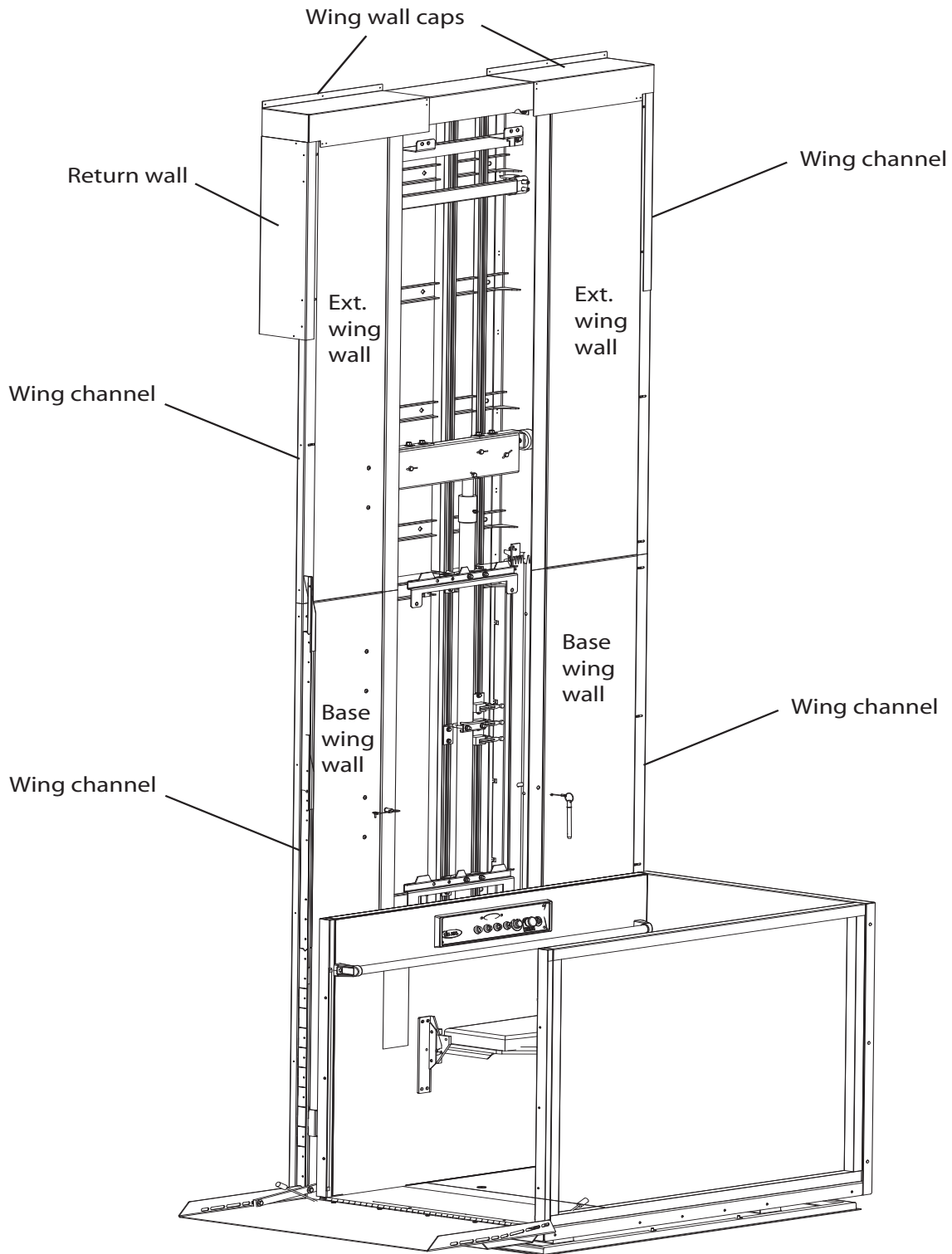
### Base ramp cam H/W kit - 320711

Part number	Description
104923	MS_FHP 1/4-20 X 1 S/S
103443	WSHR_FLT 1/4 SMALLOD S/S
104668	NUT_HEX 1/4-20 NYLOK S/S
104652	MS_THP 1/4-20 X 5/8

### Extension ramp cam H/W kit - 320714

Part number	Description
104923	MS_FHP 1/4-20 X 1 S/S
103443	WSHR_FLT 1/4 SMALLOD S/S
104668	NUT_HEX 1/4-20 NYLOK S/S
104652	MS_THP 1/4-20 X 5/8

## Wing walls



## Wing wall panels

Part number	Description
320800	PNL_WING BASE 48" CAB 1 SIDE
320801	PNL_WING BASE 48" CAB 1 SIDE
320802	PNL_WING BASE 48" CAB 1 SIDE
320803	PNL_WING BASE 48" CAB 1 SIDE
320804	PNL_WING BASE 54" CAB 1 SIDE
320805	PNL_WING BASE 54" CAB 1 SIDE
320806	PNL_WING BASE 54" CAB 1 SIDE
320807	PNL_WING BASE 54" CAB 1 SIDE
320808	PNL_WING BASE 60" CAB 1 SIDE
320809	PNL_WING BASE 60" CAB 1 SIDE
320810	PNL_WING BASE 60" CAB 1 SIDE
320811	PNL_WING BASE 60" CAB 1 SIDE
320813	PNL_WING 94" 48" CAB 1 SIDE
320814	PNL_WING 94" 48" CAB 1 SIDE
320815	PNL_WING 94" 54" CAB 1 SIDE
320816	PNL_WING 94" 54" CAB 1 SIDE
320817	PNL_WING 94" 60" CAB 1 SIDE
320818	PNL_WING 94" 60" CAB 1 SIDE
320165	PNL_WING_70" TYP 1,2 RH 34" X 48"
320166	PNL_WING_70" TYP 1,2 LH 34" X 48"
320167	PNL_WING_70" TYP 1R,2,3 RH
320168	PNL_WING_70" TYP 1R LH
320169	PNL_WING_70" TYP 1R,2,3 RH 60" CAB
320170	PNL_WING_70" 17.81"W 60" CAB
320820	PNL_WING 46" 48" CAB 1 SIDE
320821	PNL_WING 46" 48" CAB 1 SIDE
320822	PNL_WING 46" 54" CAB 1 SIDE
320823	PNL_WING 46" 54" CAB 1 SIDE
320824	PNL_WING 46" 60" CAB 1 SIDE
320825	PNL_WING 46" 60" CAB 1 SIDE
320827	PNL_WING 22" 48" CAB 1 SIDE

<b>Part number</b>	<b>Description</b>
320828	PNL_WING 22" 48" CAB 1 SIDE
320829	PNL_WING 22" 54" CAB 1 SIDE
320830	PNL_WING 22" 54" CAB 1 SIDE
320831	PNL_WING 22" 60" CAB 1 SIDE
320832	PNL_WING 22" 60" CAB 1 SIDE
320834	PNL_WING 10" 48" CAB 1 SIDE
320835	PNL_WING 10" 48" CAB 1 SIDE
320836	PNL_WING 10" 54" CAB 1 SIDE
320837	PNL_WING 10" 54" CAB 1 SIDE
320838	PNL_WING 10" 60" CAB 1 SIDE
320839	PNL_WING 10" 60" CAB 1 SIDE
320842	WALL_RETURN 30"

### **Wing wall channels**

<b>Part number</b>	<b>Description</b>
320819	CHNL_WING 94" STRUCTURE
320171	CHNL_WING 70" STRUCTURE
320826	CHNL_WING 46" STRUCTURE
320833	CHNL_WING 22" STRUCTURE
320840	CHNL_WING 10" STRUCTURE

### **Wing wall channel H/W kit - 320728**

<b>Part number</b>	<b>Description</b>
106328	MS_THP 10-32 X 3/4 S/S
104838	WSHR_LCK #10 S/S
104839	WSHR_FLT #10 S/S
106329	SCRW_SM FHR #6 x 1 1/2 YLW ZND



---

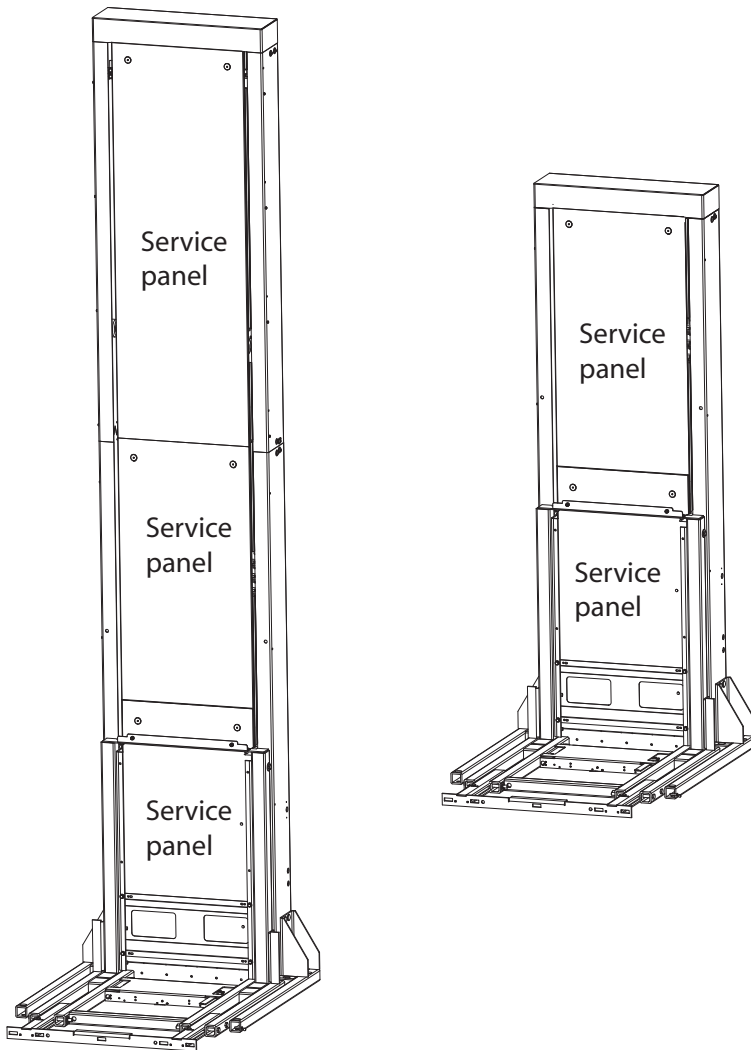
**Wing wall caps**

<b>Part number</b>	<b>Description</b>
320741-R	CAP_WING ADJUST RH
320741-L	CAP_WING ADJUST LH

**Wing wall cap H/W kit - 320740**

<b>Part number</b>	<b>Description</b>
106329	SCRW_SM FHR #6 x 1 1/2 YLW ZND

## Service panels



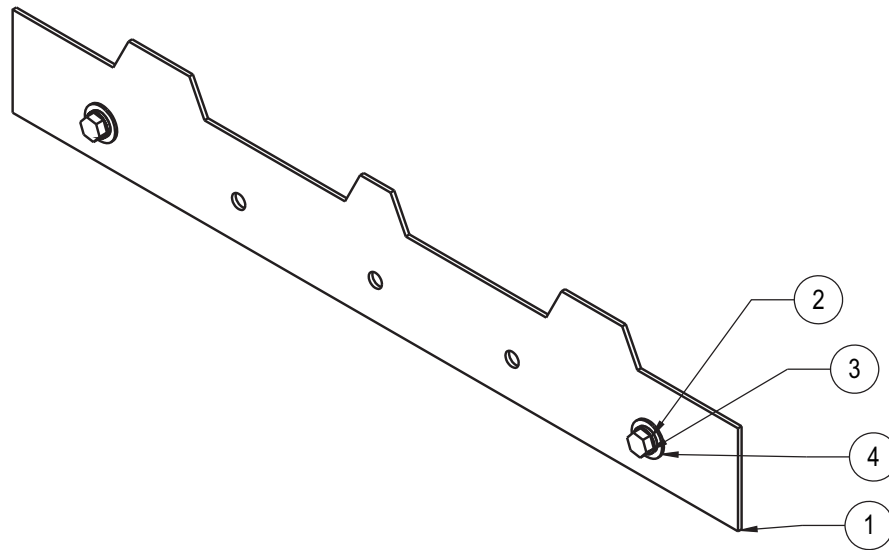
## Service panels

Part number	Description
242805	SERVICE PANEL, 10" ASSY
242802	SERVICE PANEL, 22"
242801	SERVICE PANEL, 46"
242973	SERVICE PANEL, 48"
242800	SERVICE PANEL, 70"
242799	SERVICE PANEL, 94"

## Service panel H/W kit - 320703

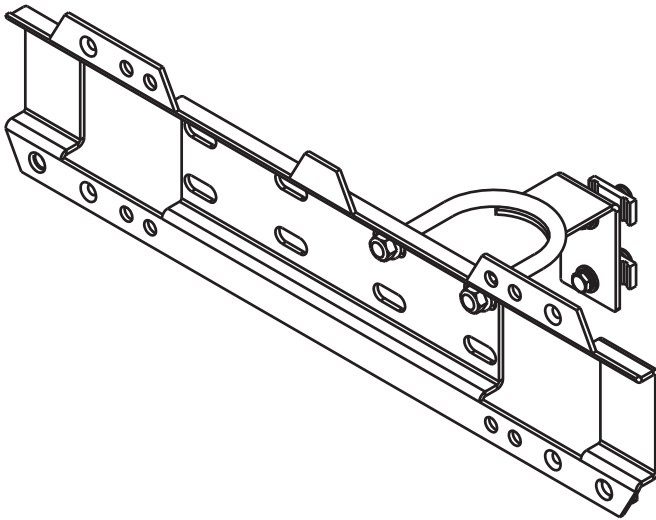
Part number	Description
104660	BOLT_PLTFM SPECIAL S/S

## Pit channel service panel mounting bracket - 320774



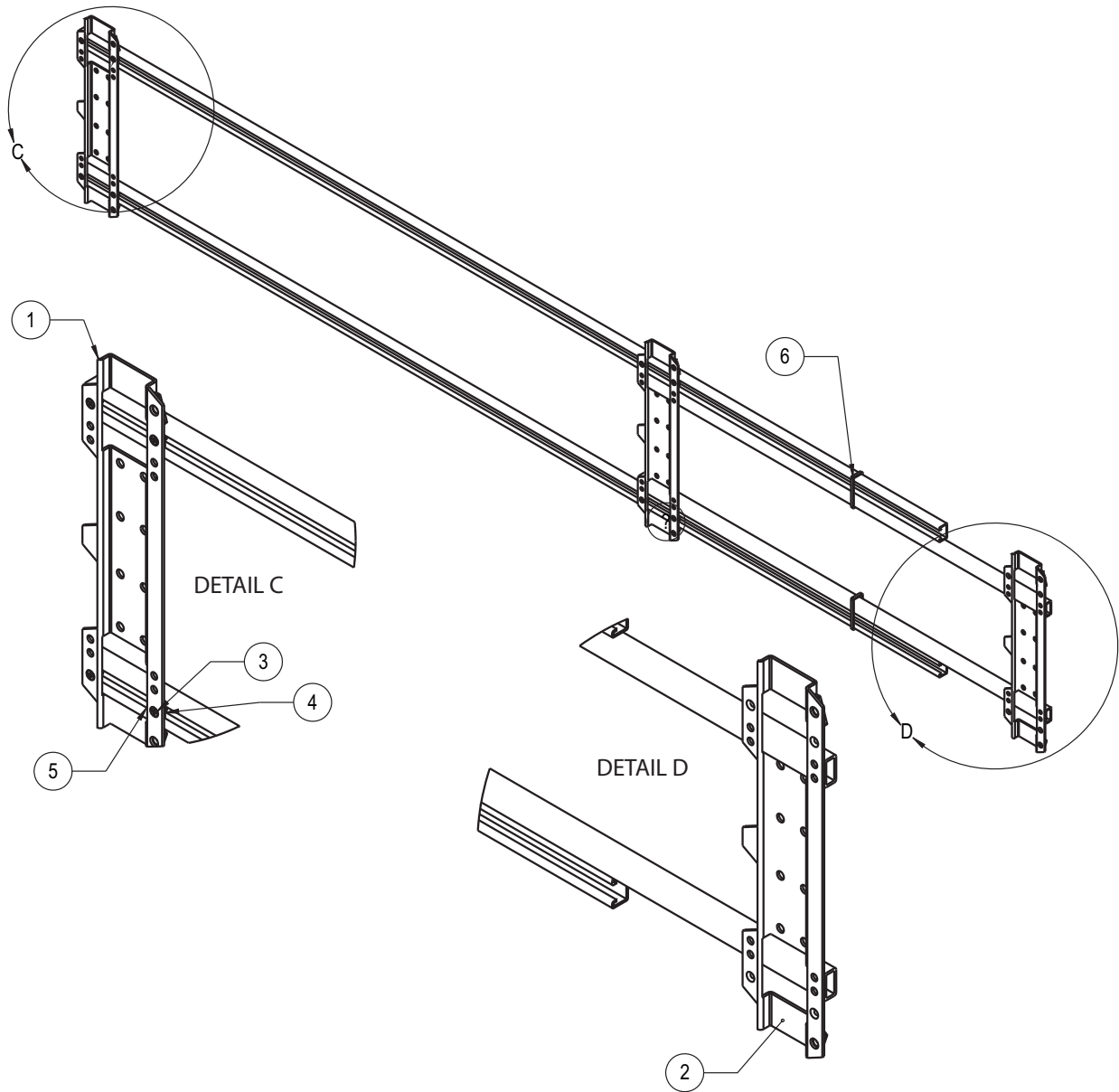
Item	Part number	Description
1	242797	PNL_SRV MNT PIT CHANNEL V-1504
2	102188-Y	WSHR_FLT 3/8 USS YLW ZINC
3	102191-Y	WSHR_LCK 3/8 YLW ZINC
4	104403-Y	HHCS_3/8-16 X 3/4 YLW ZNC GR5

## Service panel mounting bracket and clamp assemblies



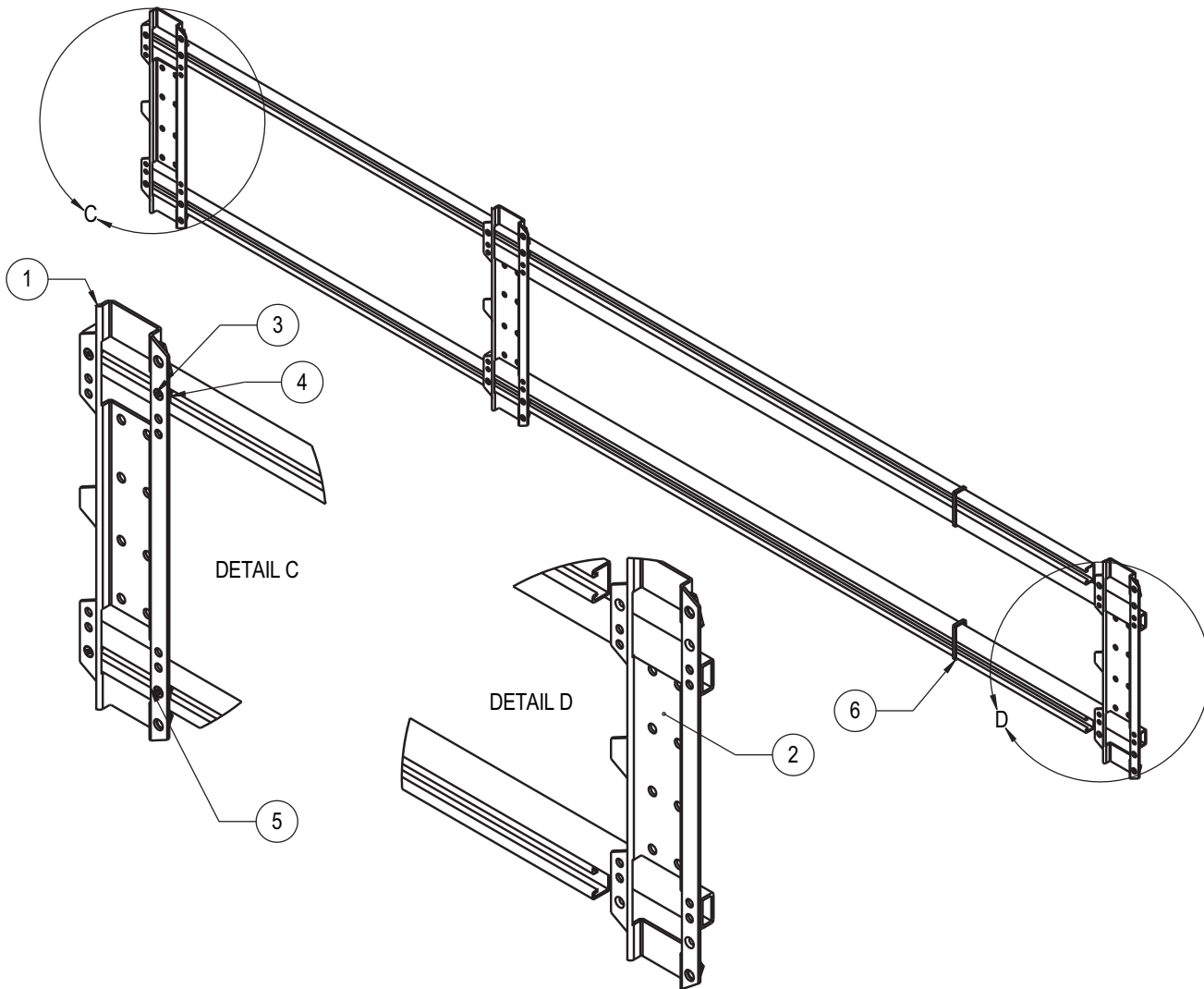
Part number	Description
320766	TOP SERVICE PANEL MOUNTING BRACKET CLAMP ASSY
320681	SERVICE PANEL MOUNTING BRACKET CLAMP ASSY, 2" (FOR BLACK CYLINDER)
320683	SERVICE PANEL MOUNTING BRACKET CLAMP ASSY, 2.5" (FOR BLACK CYLINDER)
320681-T	SERVICE PANEL MOUNTING BRACKET CLAMP ASSY, 2.125" (FOR GREY CYLINDER)
320683-H	SERVICE PANEL MOUNTING BRACKET CLAMP ASSY, 2.625" (FOR GREY CYLINDER)

## Service panel mounting extension 46" - 320756



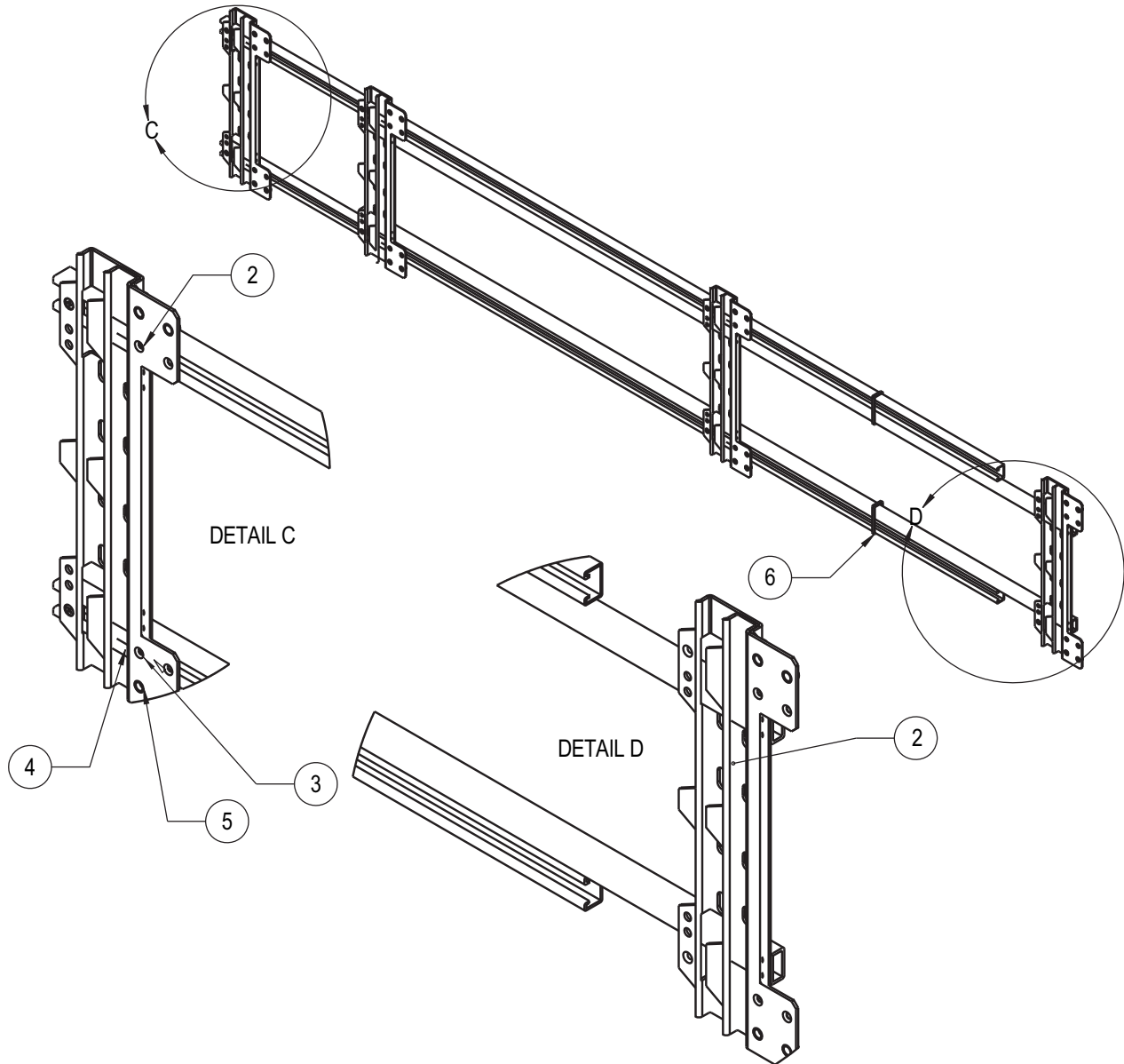
Item	Part number	Description
1	242811	BRKT_MNTG PNL V-1504
2	242812	PNL_MNTG 46" EXT ASSY V-1504
3	100086	MS_FHP 1/4-20 x 3/4
4	101097	NUT_SPNG STRUT LOCK 1/4-20
5	320749	UNISTRUT_SRV PNL SPRT V1504
6	106383	TIE_WIRE 15" X 4 DIA. 120TNSL

**Service panel mounting extension 70" - 320757**



Item	Part number	Description
1	242811	BRKT_MNTG PNL V-1504
2	242815	PNL_MNTG 70" EXT ASSY V-1504
3	100086	MS_FHP 1/4-20 x 3/4
4	101097	NUT_SPNG STRUT LOCK 1/4-20
5	320749	UNISTRUT_SRV PNL SPRT V1504
6	106383	TIE_WIRE 15" X 4 DIA. 120TNSL

## Service panel mounting extension 94" - 320648

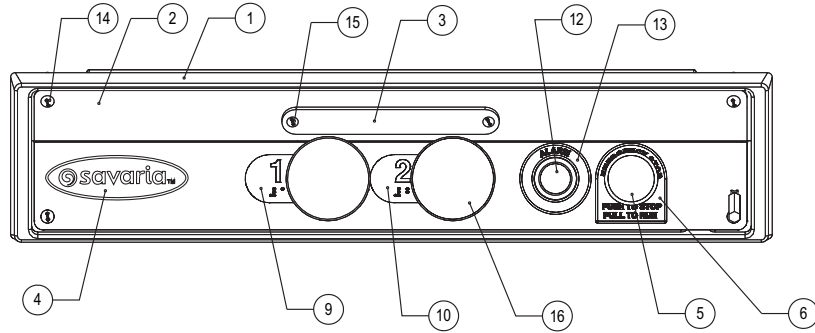


Item	Part number	Description
1	242811	BRKT_MNTG PNL V-1504
2	320646	PNL_MNTG 94" EXT ASSY V-1504
3	100086	MS_FHP 1/4-20 x 3/4
4	101097	NUT_SPNG STRUT LOCK 1/4-20
5	320749	UNISTRUT_SRV PNL SPRT V1504
6	106383	TIE_WIRE 15" X 4 DIA. 120TNSL

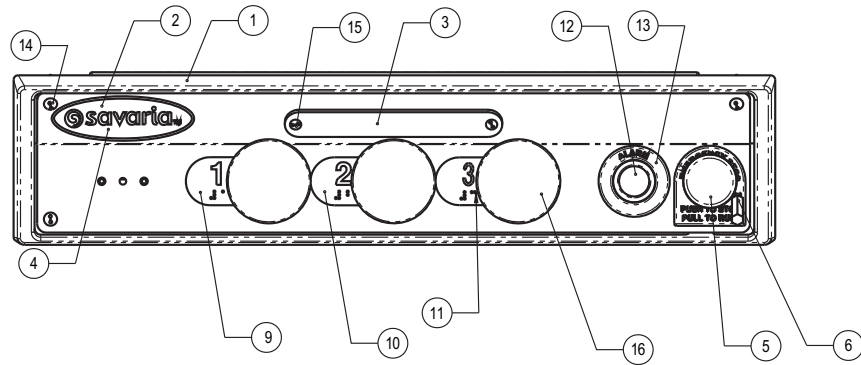
# Car operating panel (COP)

## Car operating panels with big buttons

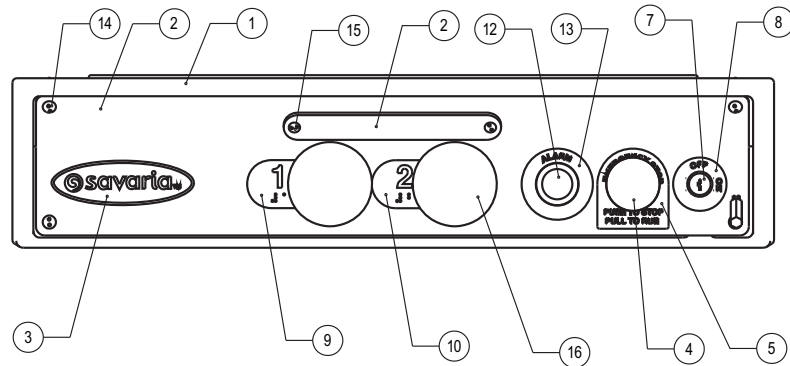
COP 2 stop, big buttons  
320026



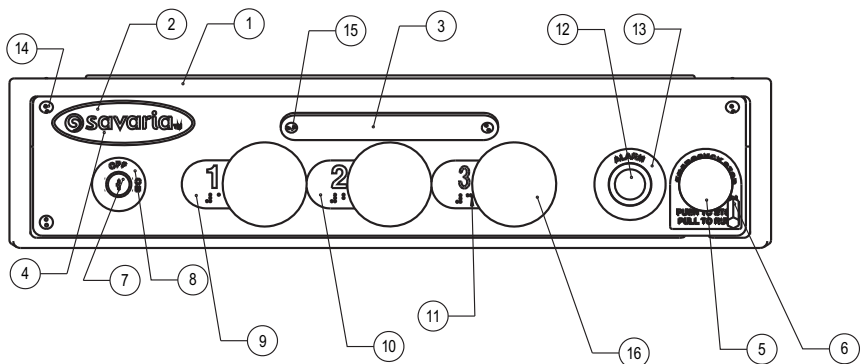
COP 3 stop, big buttons  
320034



COP 2 stop, big buttons, key  
320030



COP 3 stop, big buttons, key  
320038



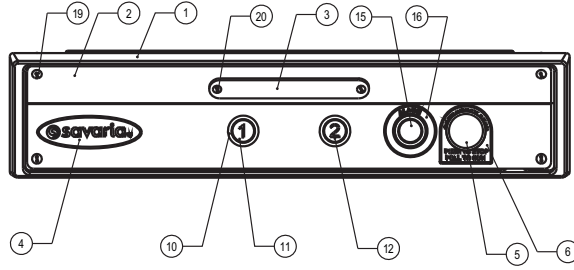


## Car operating panels with big buttons

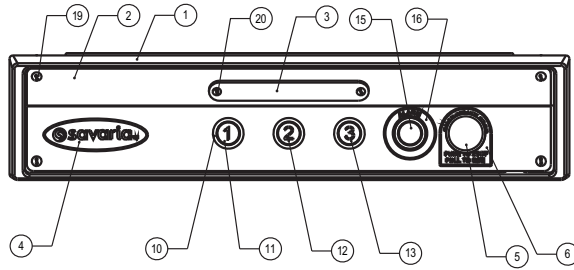
Item	Part number	Description
1	320050-V	BOX_COP V-1504 DEEP
2	320126 320134 320130 320138	PLT_DASH 2 STP BIG BTN PLT_DASH 3 STP BIG BTN PLT_DASH 2 STP KEY BIG BTN PLT_DASH 3 STP KEY BIG BTN
3	C4690040	LIGHT_EM LED STRIP 24V
4	222467	LOGO_SAVARIA S/S
5	105117	BTN_STOP EMRG PSH/STP PULL 1NC
6	222709	LABEL_EMRG STOP PUSH/PULL
7	102268	SW_KEY N/O RMV OFF
8	222711	LABEL_KEY ON/OFF
9	105395	PLT_TACTILE 1 VOY CHINA
10	105396	PLT_TACTILE 2 VOY CHINA
11	105459	PLT_TACTILE 3 VOY CHINA
12	105517	PBTN_YLW ILLUMINATED
13	222708	LABEL_ALARM
14	105760	SCRW_SECURITY 8-32 X 1 1/2"
15	106223	SPANNER_TRUSS HD 8-32 X 3/4"
16	320149	BTN_60 MM ASSY

## Car operating panels with standard buttons

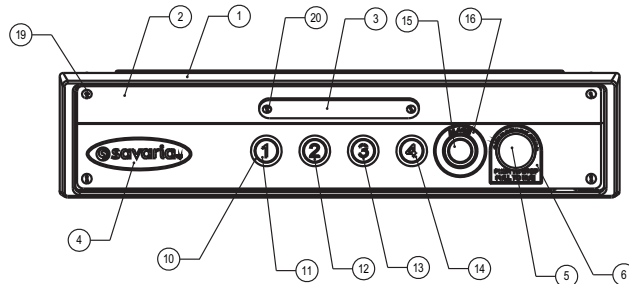
COP 2 stop  
320025



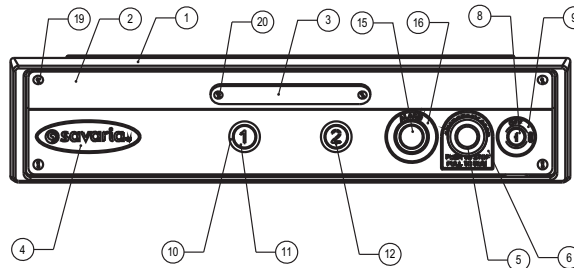
COP 3 stop  
320033



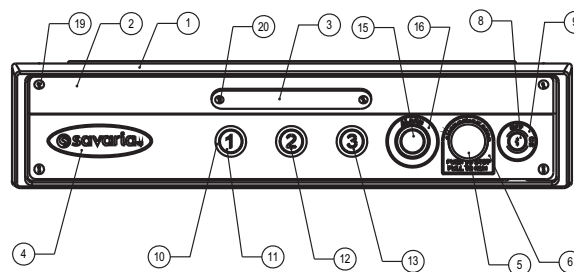
COP 4 stop  
320041



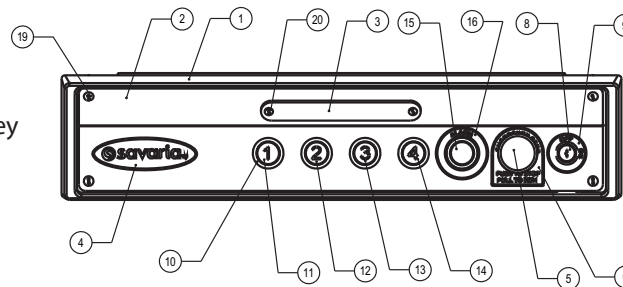
COP 2 stop, key  
320029



COP 3 stop, key  
320037



COP 4 stop, key  
320045



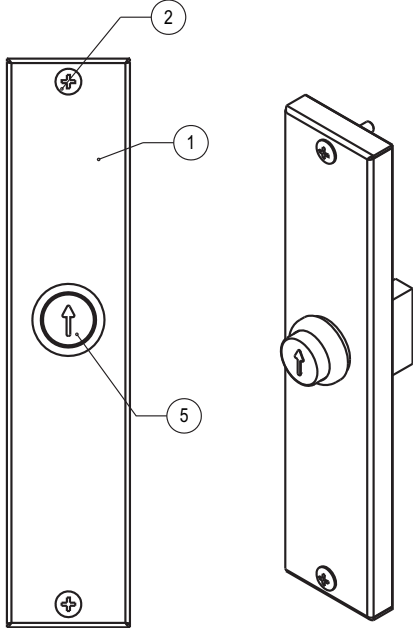
## Car operating panels with standard buttons

Item	Part number	Description
1	320050-V	BOX_COP V-1504 DEEP
2	320025 320133 320141 320129 320137 320145	PLT_DASH 2 STP PLT_DASH 3 STP PLT_DASH 4 STP PLT_DASH 2 STP KEY PLT_DASH 3 STP KEY PLT_DASH 4 STP KEY
3	C4690040	LIGHT_EM LED STRIP 24V
4	222467	LOGO_SAVARIA S/S
5	105117	BTN_STOP EMRG PSH/STP PULL 1NC
6	222709	LABEL_EMRG STOP PUSH/PULL
8	102268	SW_KEY N/O RMV OFF
9	222711	LABEL_KEY ON/OFF
10	106676	CONTACT_PBTN N/O
11	106672	PBTN_1 WITH 1X NO CONTACT
12	106673	PBTN_2 WITH 1X NO CONTACT
13	106674	PBTN_3 WITH 1X NO CONTACT
14	106675	PBTN_4 WITH 1X NO CONTACT
15	105517	PBTN_YLW ILLUMINATED
16	222708	LABEL_ALARM
19	105760	SCRW_SECURITY 8-32 X 1 1/2"
20	106324	SCRW_SECURITY 8-32 X 3/4"

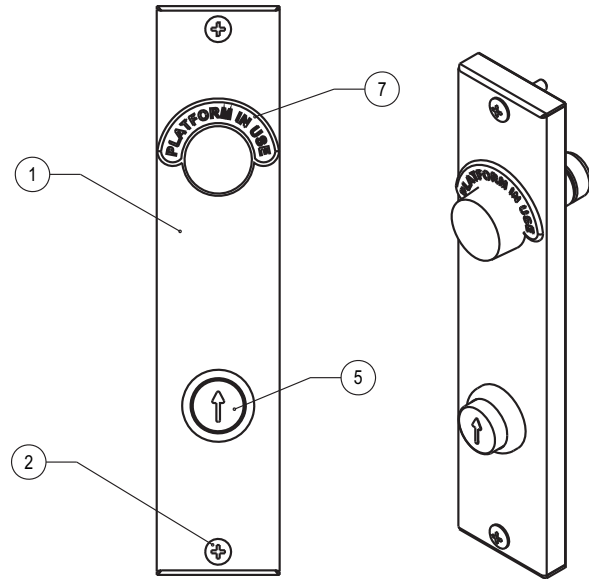
# Hall calls (in frame)

## Hall calls (in frame), up/down

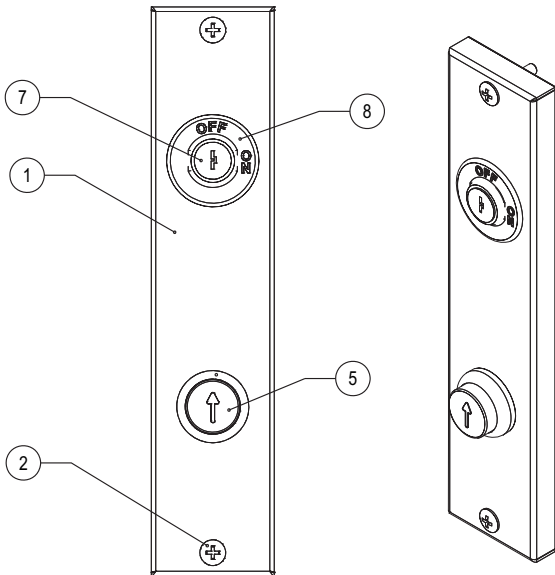
Hall call (in frame), up/down  
320082



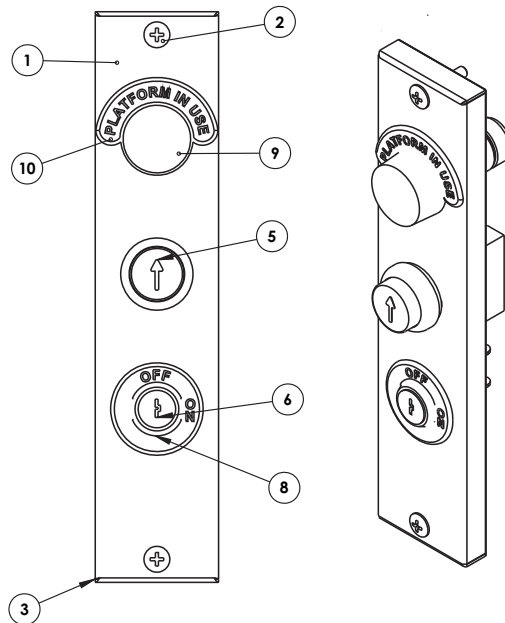
Hall call (in frame), up/down, light  
320084



Hall call (in frame), up/down, key  
320083



Hall call (in frame), up/down, light, key  
320086

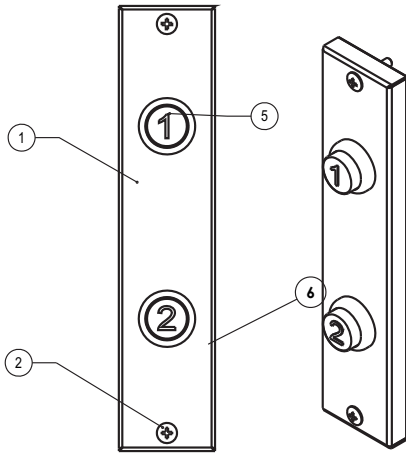


## Hall calls (in frame), up/down

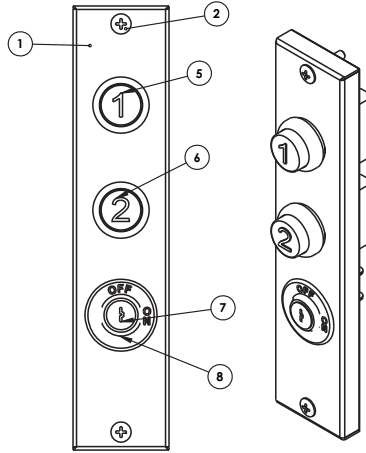
Item	Part number	Description
1	320091 320093 320095	PLT_CALL F/MNT IN FRM 1 RND PLT_CALL F/MNT IN FRM2 RND PLT_CALL F/MNT IN FRM 3 RND
2	105415	MS_10-24 X 1" TRUSS HD S/S
3	248402	STRIP_CAOUTCHOU GT
5	106678	PBTN_BLANK WITH 1X NO CONTACT
6	105519	LIGHT_IN USE RED
7	222712	LABEL_PLTFM IN USE VPL
8	102268	SW_KEY N/O RMV OFF
9	222711	LABEL_KEY ON/OFF

## Hall calls (in frame), call/send

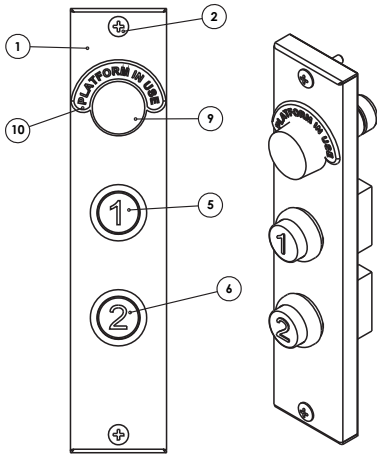
Hall call (in frame), call/send  
320085



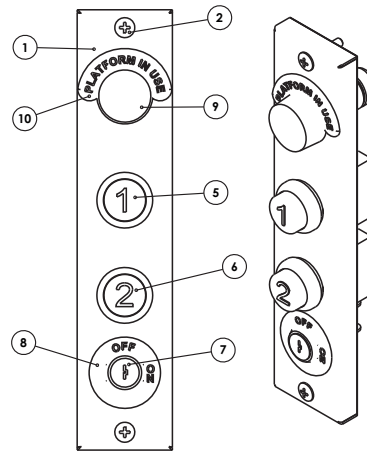
Hall call (in frame), call/send, key  
320087



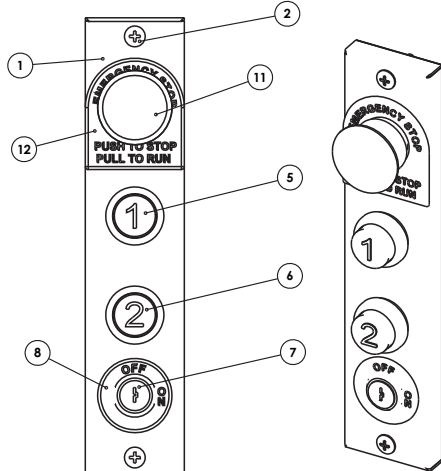
Hall call (in frame), call/send, light  
320088



Hall call (in frame), call/send, key, light  
320089



Hall call (in frame), call/send, key, E-stop  
320090



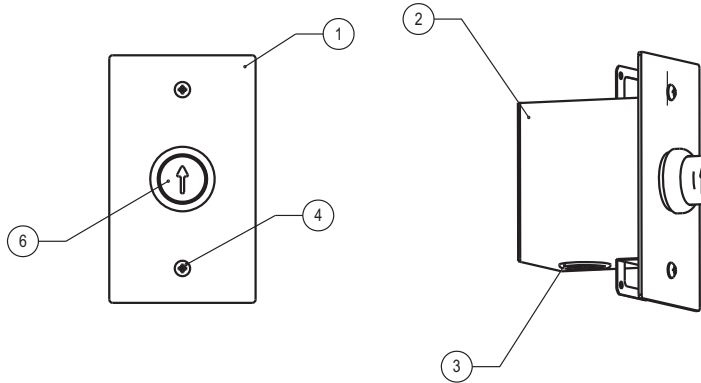
## Hall calls (in frame), call send

Item	Part number	Description
1	320091 320095 320097	PLT_CALL F/MNT IN FRM 1 RND PLT_CALL F/MNT IN FRM 4 RND PLT_CALL F/MNT IN FRM 4 RND
2	105415	MS_10-24 X 1" TRUSS HD S/S
5	106672	PBTN_1 WITH 1X NO CONTACT
6	106673	PBTN_2 WITH 1X NO CONTACT
7	102268	SW_KEY N/O RMV OFF
8	222711	LABEL_KEY ON/OFF
9	105519	LIGHT_IN USE RED
10	222712	LABEL_PLTFM IN USE VPL
11	105517	BTN_STOP EMRG PSH/STP PULL 1NC
12	222709	LABEL_EMRG STOP PUSH/PULL

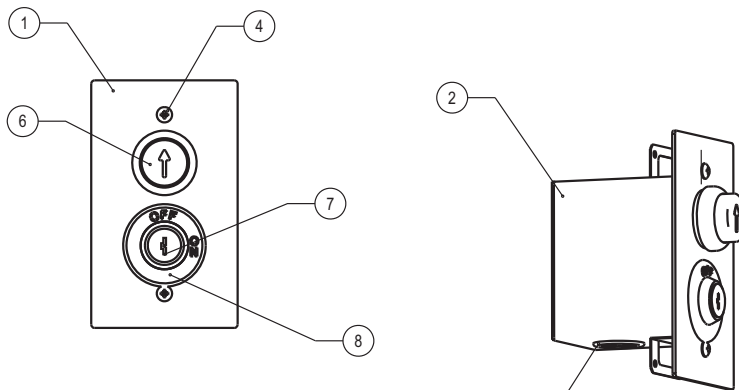
# Hall calls (flush remote)

## Hall calls (flush remote) up/down

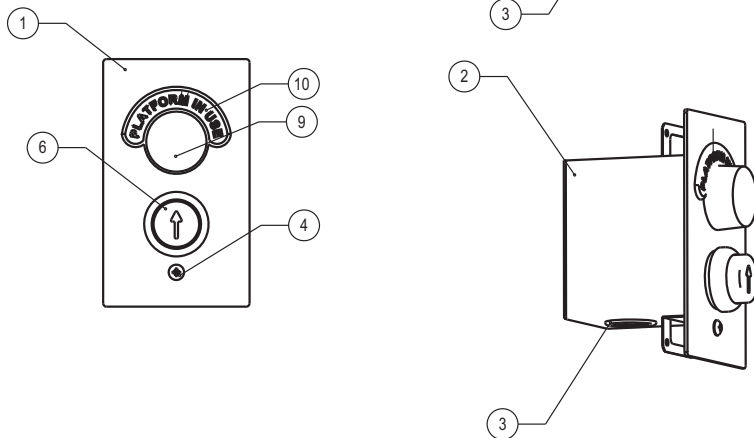
Hall call (flush remote) up/down  
320051



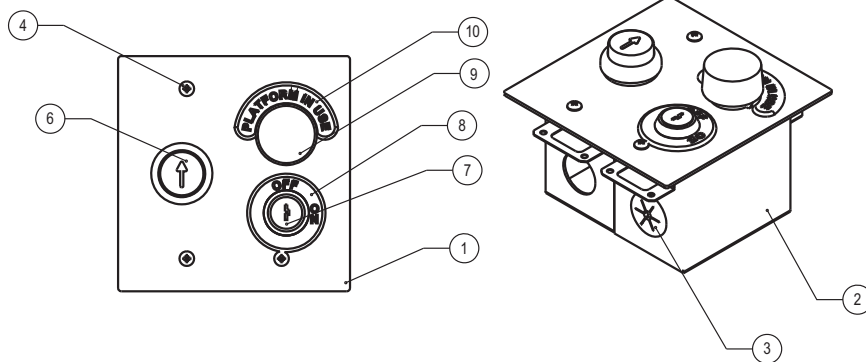
Hall call (flush remote) up/down, key  
320053



Hall call (flush remote) up/down, light  
320055



Hall call (flush remote)  
up/down, light, key  
320058



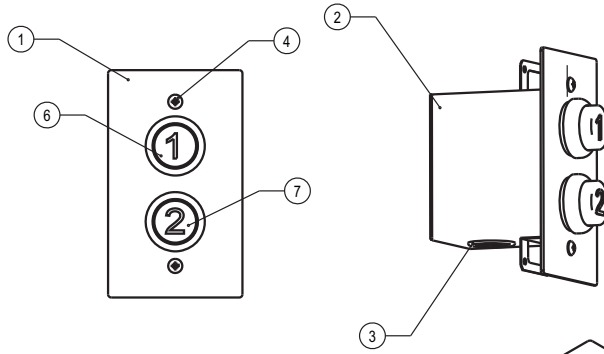


## Hall calls (flush remote) up/down

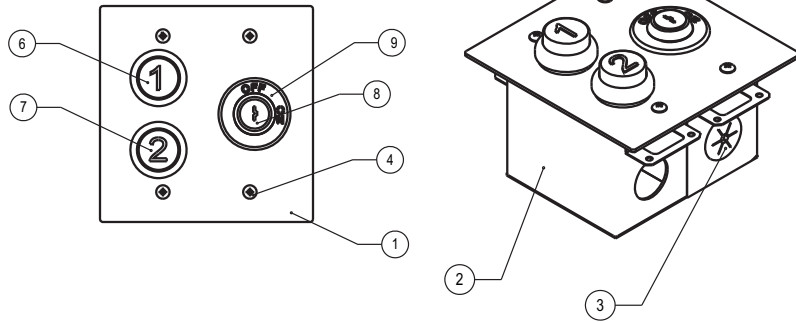
Item	Part number	Description
1	320052 320057 320062	PLT_FLUSH REMOTE CALL 1 RND PLT_FLUSH REMOTE CALL 2 RND PLT_FLUSH REMOTE CALL 3 RND
2	105607	BOX_ELEC 3" X 2" 1104-K
3	102298	BSHG_UNIVERSAL SNAPIN 7/8
4	105506	MS_THP 6-32X3/4 S/S
6	106678	PBTN_BLANK WITH 1X NO CONTACT
7	102268	SW_KEY N/O RMV OFF
8	222711	LABEL_KEY ON/OFF
9	105519	LIGHT_IN USE RED
10	222712	LABEL_PLTFM IN USE VPL

### Hall calls (flush remote) call/send

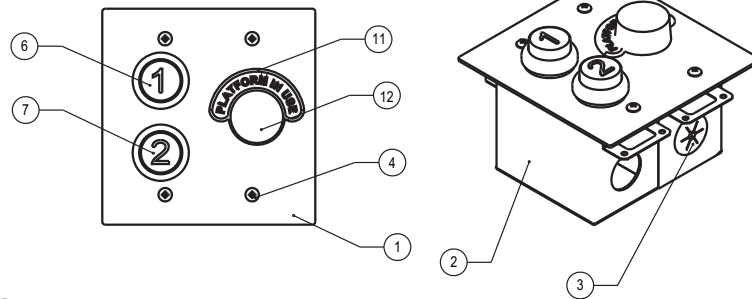
Hall call (flush remote) call/send  
320056



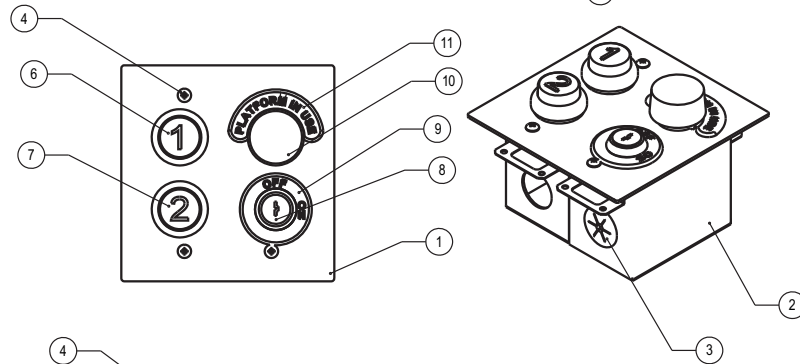
Hall call (flush remote) call/send, key  
320059



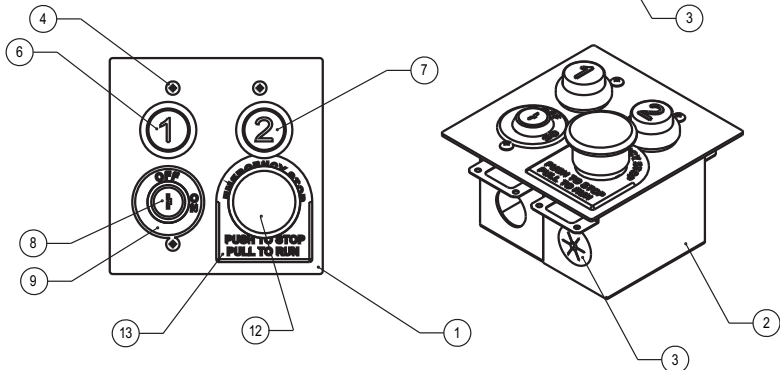
Hall call (flush remote) call/send, light  
320061



Hall call (flush remote) call/send, light, key  
320063



Hall call (flush remote) call/send, key, E-stop  
320063



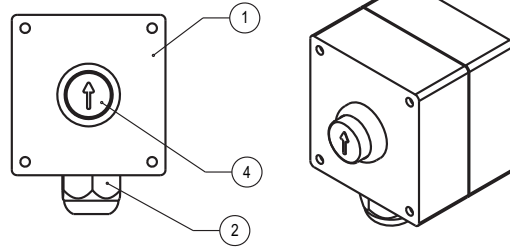
### Hall calls (flush remote) call/send

Item	Part number	Description
1	320057 320062 320065	PLT_FLUSH REMOTE CALL 2RND PLT_FLUSH REMOTE CALL 3 RND PLT_FLUSH REMOTE CALL 4 RND
2	105607	BOX_ELEC 3" X 2" 1104-K
3	102298	BSHG_UNIVERSAL SNAPIN 7/8
4	105506	MS_THP 6-32X3/4 S/S
6	106672	PBTN_1 WITH 1X NO CONTACT
7	106673	PBTN_2 WITH 1X NO CONTACT
8	102268	SW_KEY N/O RMV OFF
9	222711	LABEL_KEY ON/OFF
10	105519	LIGHT_IN USE RED
11	222712	LABEL_PLTFM IN USE VPL
12	105117	BTN_STOP EMRG PSH/STP PULL 1NC
13	222709	LABEL_EMRG STOP PUSH/PULL

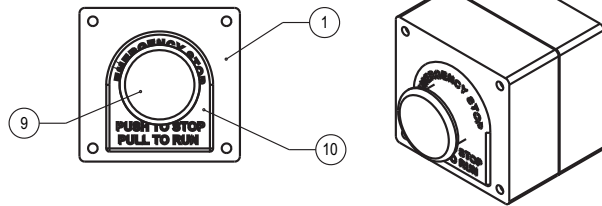
# Hall calls (surface remote)

## Hall calls (surface remote) up/down

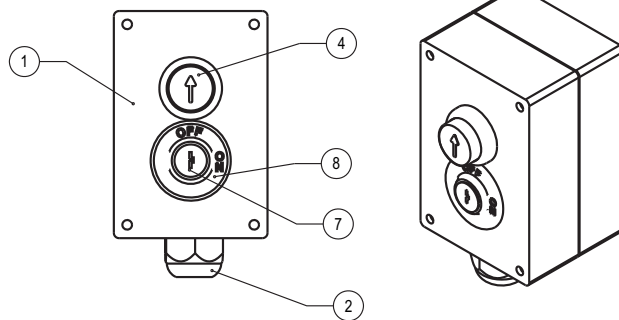
Hall call (surface remote) up/down  
320066



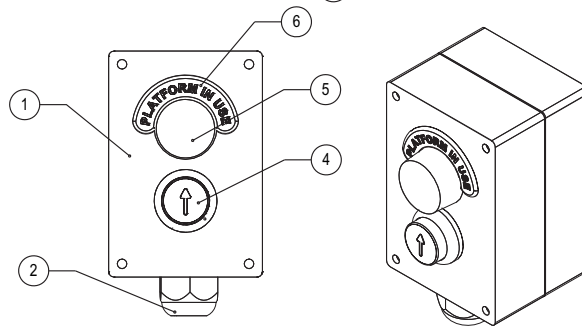
Hall call (surface remote) E-stop  
320070



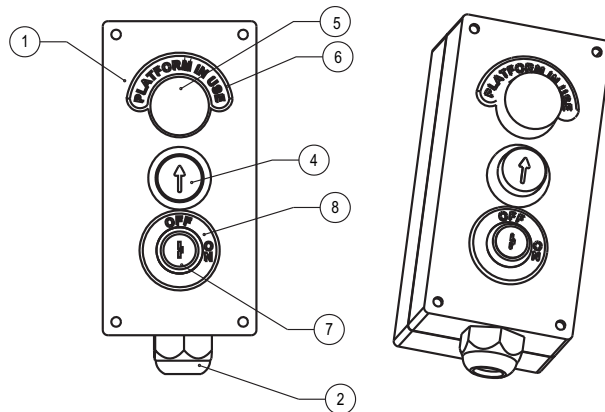
Hall call (surface remote) up/down, key  
320068



Hall call (surface remote) up/down, light  
320069



Hall call (surface remote) up/down, key, light  
320073

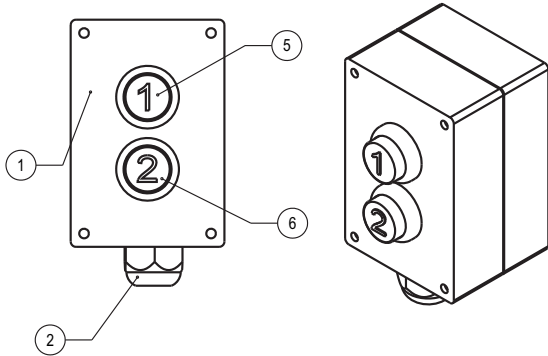


## Hall calls (surface remote) up/down

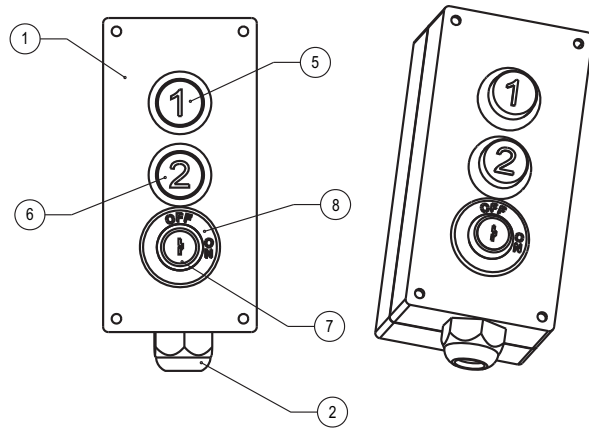
Item	Part number	Description
1	243626 105703 243627	BOX_HALL CALL PLASTIC 1 HOLE BOX_HALL CALL PLASTIC 2 HOLES BOX_HALL CALL PLASTIC 3 HOLES
2	105298	CON_SEAL TWR CC-NPT-12-B
3	103618	NUT_LOCK 1/2-13 HVY JAM
4	106678	PBTN_BLANK WITH 1X NO CONTACT
5	105519	LIGHT_IN USE RED
6	222712	LABEL_PLTFM IN USE VPL
7	102268	SW_KEY N/O RMV OFF
8	222711	LABEL_KEY ON/OFF
9	105117	BTN_STOP EMRG PSH/STP PULL 1NC
10	222709	LABEL_EMRG STOP PUSH/PULL

## Hall calls (surface remote) call/send

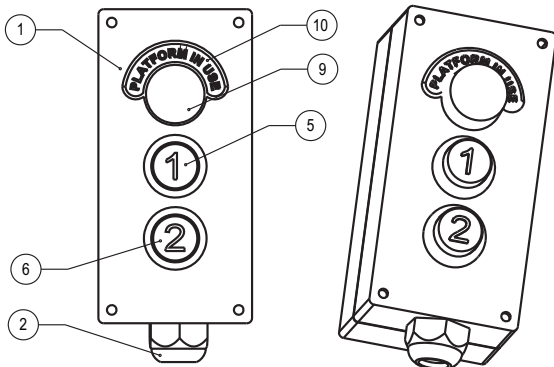
Hall call (surface remote) call/send  
320067



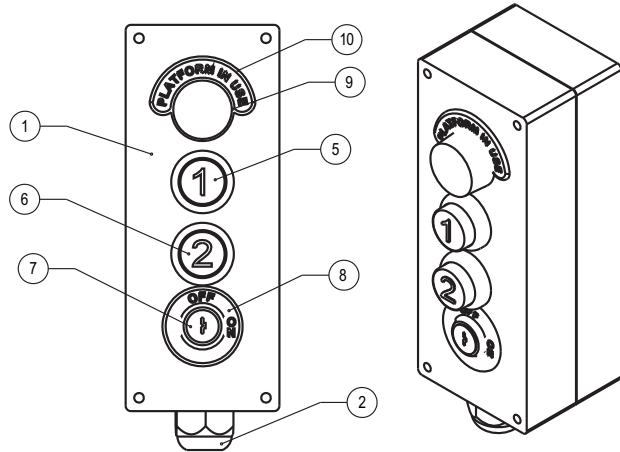
Hall call (surface remote) call/send, key  
320071



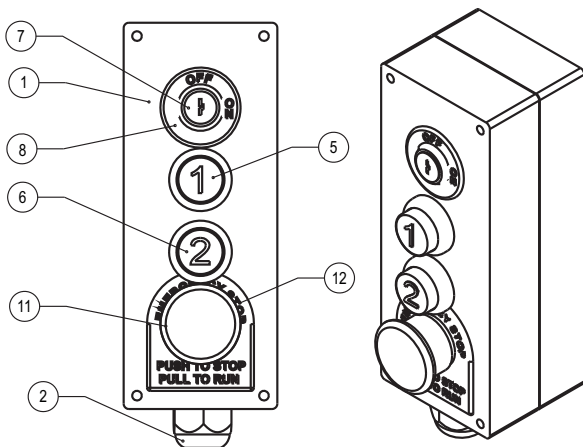
Hall call (surface remote) call/send, light  
320072



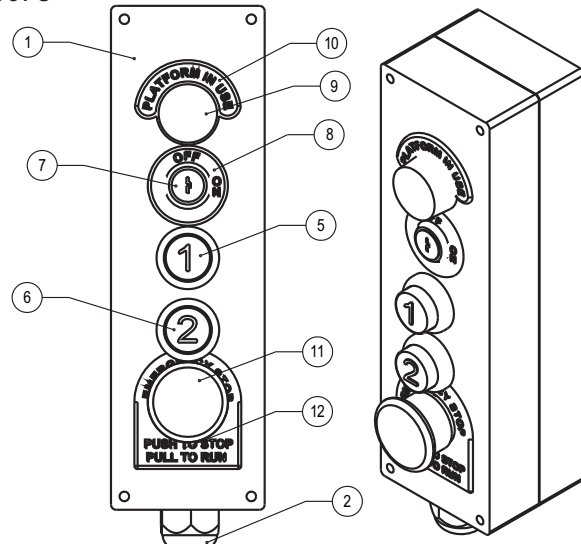
Hall call (surface remote) call/send, key, light  
320075



Hall call (surface remote) call/send, key, E-stop  
320074



Hall call (surface remote) call/send, key, light, E-stop  
320078

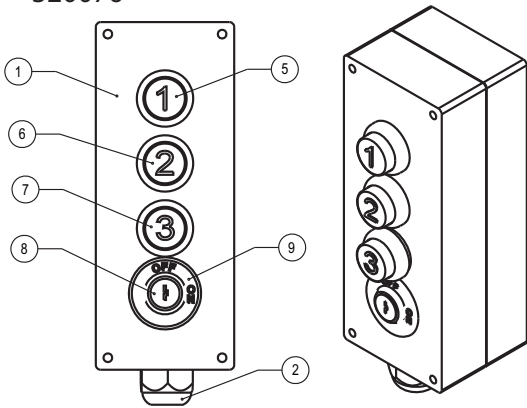


## Hall calls (surface remote) call/send

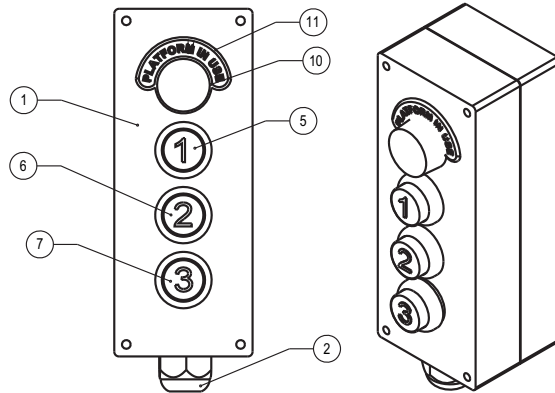
Item	Part number	Description
1	105703 243627 ZGE-22 106297	BOX_HALL CALL PLASTIC 2 HOLES BOX_HALL CALL PLASTIC 3 HOLES BOX_HALL CALL PLASTIC 4 HOLES BOX_HALL CALL PLASTIC 5 HOLES
2	105298	CON_SEAL TWR CC-NPT-12-B
3	103618	NUT_LOCK 1/2-13 HVY JAM
5	106672	PBTN_1 WITH 1X NO CONTACT
6	106673	PBTN_2 WITH 1X NO CONTACT
7	102268	SW_KEY N/O RMV OFF
8	222711	LABEL_KEY ON/OFF
9	105519	LIGHT_IN USE RED
10	222712	LABEL_PLTFM IN USE VPL
11	105117	BTN_STOP EMRG PSH/STP PULL 1NC
12	222709	LABEL_EMRG STOP PUSH/PULL

## Hall calls (surface remote) 3 stops

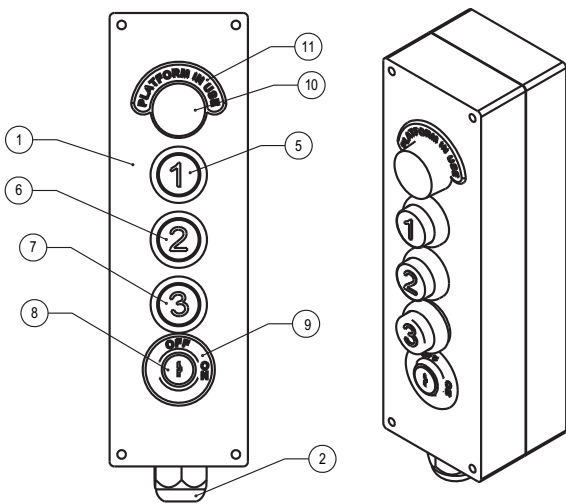
Hall call (surface remote) 3 stops, key  
320076



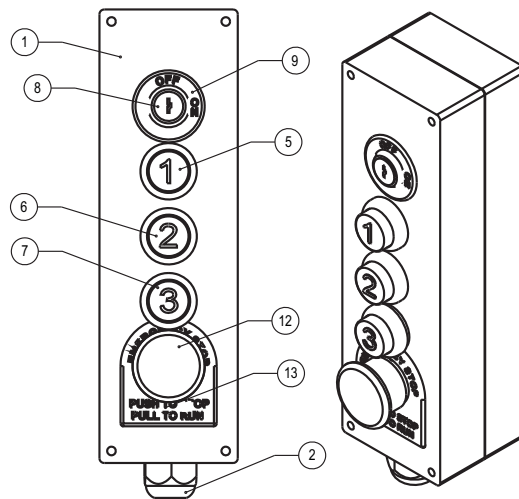
Hall call (surface remote) 3 stops, light  
320077



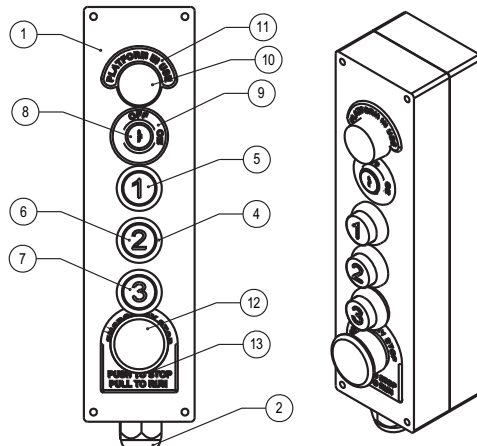
Hall call (surface remote) 3 stops, key, light  
320080



Hall call (surface remote) 3 stops, key, E-stop  
320079



Hall call (surface remote) 3 stops, key, light, E-stop  
320081





### Hall call (surface remote) 3 stops

Item	Part number	Description
1	106297	BOX_HALL CALL PLASTIC 5 HOLES
2	105298	CON_SEAL TWR CC-NPT-12-B
3	103618	NUT_LOCK 1/2-13 HVY JAM
5	106672	PBTN_1 WITH 1X NO CONTACT
6	106673	PBTN_2 WITH 1X NO CONTACT
7	106674	PBTN_3 WITH 1X NO CONTACT
8	102268	SW_KEY N/O RMV OFF
9	222711	LABEL_KEY ON/OFF
10	105519	LIGHT_IN USE RED
11	222712	LABEL_PLTFM IN USE VPL
12	105117	BTN_STOP EMRG PSH/STP PULL 1NC
13	222709	LABEL_EMRG STOP PUSH/PULL

## Miscellaneous items

### Documents

Part number	Description
000691	GUIDE_INSTALLATION V-1504
000692	MANUAL_OWNER'S V-1504
000760	MANUAL_OWNER'S V-1504 FRENCH
000796	SCHEMATIC_ELECTRICAL V-1504
000696	GUIDE_INSTALL VPL LOCK
000836	GUIDE_INSTALL PROG SMART PHONE
000675	COMMANDER MANUALS KIT
000681	DOC_QUALITY SURVEY
000599	WARANTY_PROD WIDE EXCPT COMMD
000800	FORM_FEEDBACK V-1504

### Keys, tools, paint

Part number	Description
105767	BIT_DRVR SECURITY SCRW 8-32
102270	KEY_2252
101575	KEY_EMERGENCY HALL SIDE (GAL LOCK)
102147	KEY_EMG PRO-DOOR (PRO LOCK)
200939	KEY_EMERGENCY (PORTA/PRO-EMI/WR500 LOCK)
105479	KEY_ALLEN 1/4 6" LONG
105542	KEY_MECH CHICAGO 2003
106736	KEY_MECH CHICAGO 2007
200438-C	BUTTONS_TEMPORARY VC MODIFIED
105367	PAINT_BEIGE AEROSOL 16 OZ.
301016	MAXIGLIDE_4OZ BOTTLE

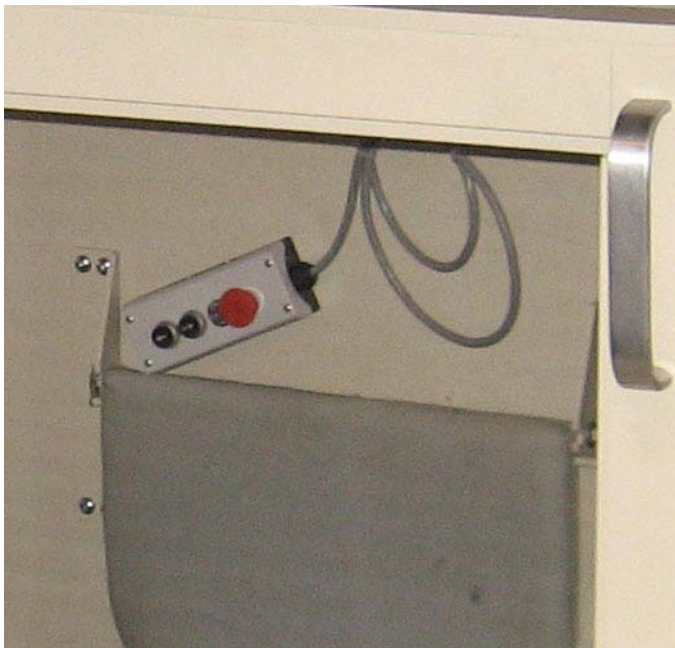
### Battery

Part number	Description
105545	BATTERY_12V 7AHR
242938	TRAY_BATTERY DC DRIVE

## Harnesses

Part number	Description
320698	HRNS_TRAVEL CABLE
243167	HRNS_V1504 PHONE JACK
323236	HRNS_V1504 JUMPER
245689	HRNS_V-1504 PLUS VALVE
245689-20	HRNS_V-1504 PLUS VALVE 20'
320697	HRNS_MOTOR V-1504
243165	HRNS_V1504 POWER CORD
242975	HOLDER_CABLE TOWER V-1504 PLUS

## Run pendants with stop switch



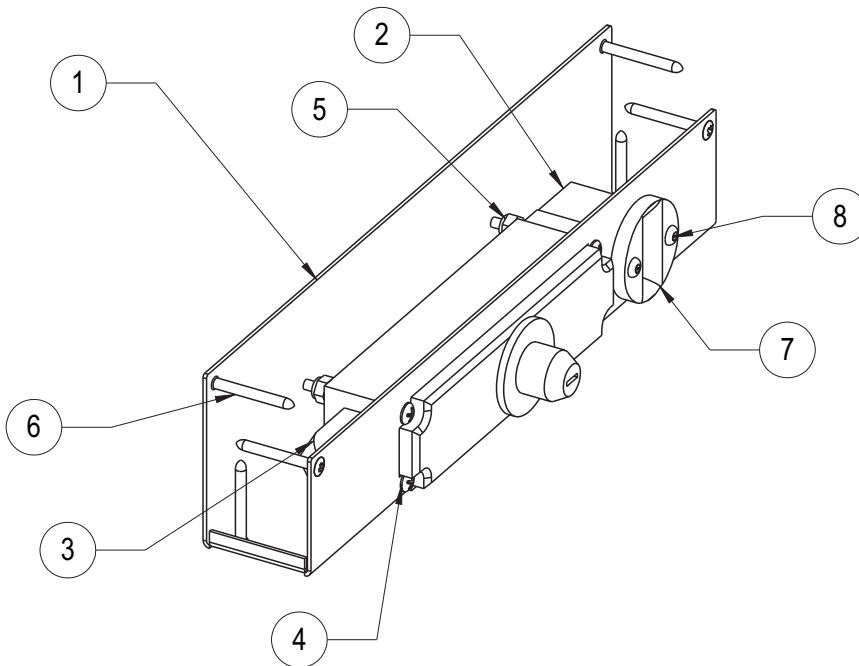
Part number	Description
320074-OF-KIT	KIT, RUN PENDANT 2 STOP /SND/KY/STP (for jobs prior to July 2018)
324468	KIT, RUN PENDANT 2 STOP /SND/KY/STP (for jobs after July 2018)
320079-OF-KIT	KIT, RUN PENDANT 3 STOP /SND/KY/STP (for all jobs)
320613-OF-KIT	KIT, RUN PENDANT 4 STOP /SND/KY/STP (for all jobs)

## Door Locks – WR-500

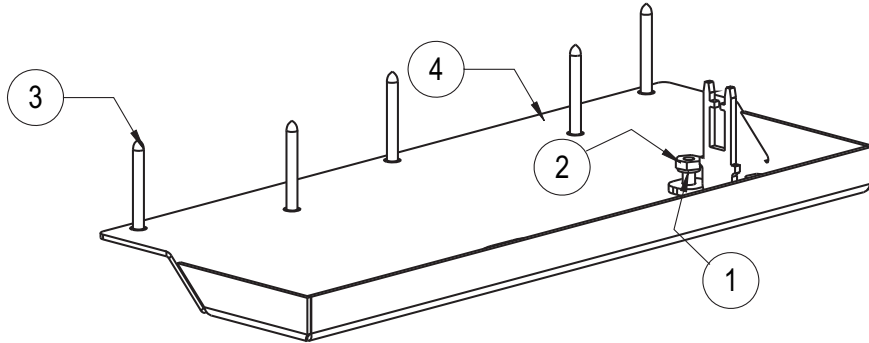
### WR-500 lock, left hand assembly - 320267-L (for flush doors)

Item	Part number	Description
1	321089-LW	LOCK_WR500 LH ASSY WOODEN DOOR
2	321087-LW	BEAK_WR500 LOCK LH ASSY WOODEN
-	320638	TEMPLATE_INSTALL WR500 LOCK

### WR-500 lock, left hand assembly, wooden door - 321089-LW



Item	Part number	Description
1	321091-LW	BRKT_MNT LH WR500 WOODEN DOOR
2	106322	LOCK_WR500 CSA 355
3	100857	CONN_LMT SW DEPL111041
4	105602	SCRW_PH #8-32 x 1 3/4 S/S
5	104469	NUT_HEX # 8-32 S/S NYL INST
6	105986	SCRW_OHP #8 x 1 1/2 S/S
7	320633	GUIDE_LOCK EUCHNER/WR500
8	104656	SCRW_8-32 X 1/4" TRUSS HD S/S

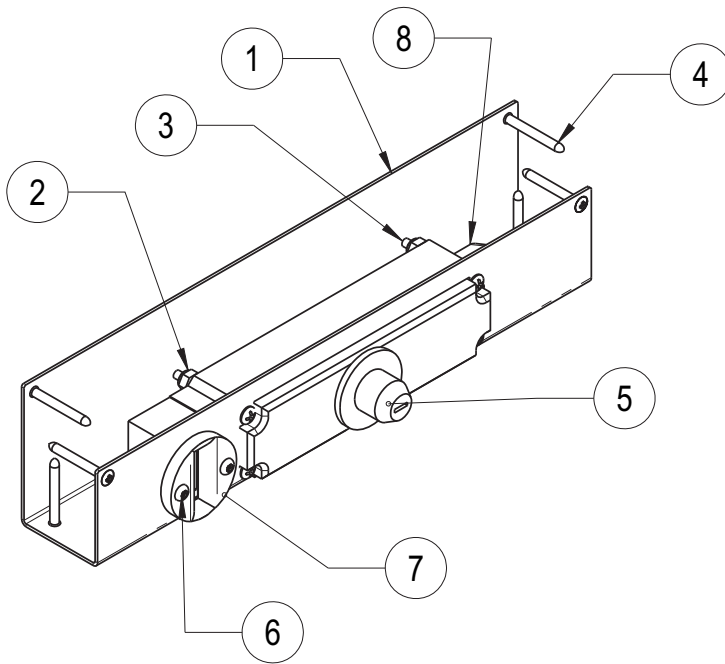
**WR-500 beak, left hand assembly, wooden door - 321087-LW**

Item	Part number	Description
1	104838	WSHR_LCK #10 S/S
2	101116	NUT_HEX 10-32
3	105986	SCRW_OHP #8 x 1 1/2 S/S
4	321088-LW	PLT_BEAK LH WR500 WOODEN DOOR

### WR-500 lock, right hand assembly - 320267-R (for flush doors)

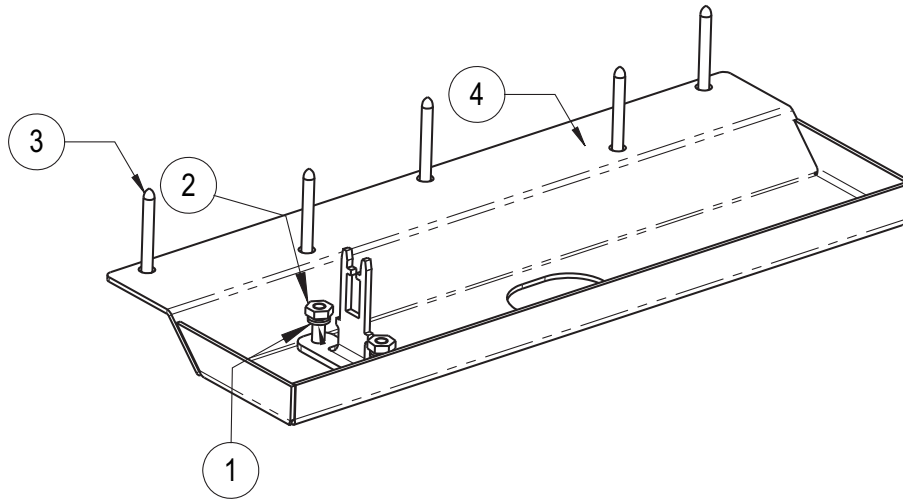
Item	Part number	Description
1	321089-RW	LOCK_WR500 RH ASSY WOODEN DOOR
2	321087-RW	BEAK_WR500 LOCK RH ASSY WOODEN
-	320638	TEMPLATE_INSTALL WR500 LOCK

### WR-500 lock, right hand assembly, wooden door - 321089-RW



Item	Part number	Description
1	321091-RW	BRKT_MNT RH WR500 WOODEN DOOR
2	106322	LOCK_WR500 CSA 355
3	100857	CONN_LMT SW DEPL111041
4	105602	SCRW_PH #8-32 x 1 3/4 S/S
5	104469	NUT_HEX # 8-32 S/S NYL INST
6	105986	SCRW_OHP #8 x 1 1/2 S/S
7	320633	GUIDE_LOCK EUCHNER/WR500
8	104656	SCRW_8-32 X 1/4" TRUSS HD S/S

## WR-500 beak, right hand assembly, wooden door - 321087-RW



Item	Part number	Description
1	104838	WSHR_LCK #10 S/S
2	101116	NUT_HEX 10-32
3	105986	SCRW_OHP #8 x 1 1/2 S/S
4	321088-RW	PLT_BEAK RH WR500 WOODEN DOOR

## Door locks – PORTA

### PORTA lock kit, left hand - 222614

Item	Part number	Description
1	105930	LOCK_PORTA LH
2	220977	HRNS_INF LOCK
3	106372	SCRW_SM PHP #4 x 1/2 SS
4	227588-S	PLT_ACCESS SMART LCK KEY RES
5	300878	KEY_KWIK LCK AUTO DOOR
6	227858-S	PLT_ACCESS SMART LCK INSIDE
7	200939	KEY_EMERGENCY (PORTA/PRO-EMI/WR500 LOCK)
8	103775	VIEWER_DOOR W/O GLASS B-02
9	209296	DECAL_TAG KEY EMERG KWIK/EMI
10	320212	TAG_KEY EMERG KWIK/EMI
11	209297	DECAL_KEY EMERG WARNING KWIK
-	320635	TEMPLATE_INSTALL PORTA LOCK

### PORTA lock kit, right hand - 222615

Item	Part number	Description
1	105931	LOCK_PORTA RH
2	220977	HRNS_INF LOCK
3	106372	SCRW_SM PHP #4 x 1/2 SS
4	227588-S	PLT_ACCESS SMART LCK KEY RES
5	300878	KEY_KWIK LCK AUTO DOOR
6	227858-S	PLT_ACCESS SMART LCK INSIDE
7	200939	KEY_EMERGENCY (PORTA/PRO-EMI/WR500 LOCK)
8	103775	VIEWER_DOOR W/O GLASS B-02
9	209296	DECAL_TAG KEY EMERG KWIK/EMI
10	320212	TAG_KEY EMERG KWIK/EMI
11	209297	DECAL_KEY EMERG WARNING KWIK
-	320635	TEMPLATE_INSTALL PORTA LOCK



## Door locks – PRO-EMI

### PRO-EMI lock kit, left hand - 221456

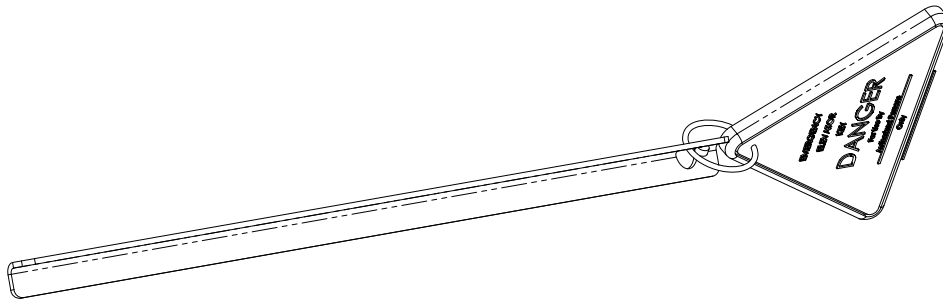
Item	Part number	Description
1	C200024	LOCK_PRO-EMI LH
2	220977	HRNS_INF LOCK
3	106372	SCRW_SM PHP #4 x 1/2 SS
4	227588-S	PLT_ACCESS SMART LCK KEY RES
5	300878	KEY_KWIK LCK AUTO DOOR
6	227858-S	PLT_ACCESS SMART LCK INSIDE
7	200939	KEY_EMERGENCY (PORTA/PRO-EMI/WR500 LOCK)
8	103775	VIEWER_DOOR W/O GLASS B-02
9	209296	DECAL_TAG KEY EMERG KWIK/EMI
10	320212	TAG_KEY EMERG KWIK/EMI
11	209297	DECAL_KEY EMERG WARNING KWIK
-	320639	TEMPLATE_INSTALL PRO-EMI LOCK

### PRO-EMI lock kit, right hand - 221457

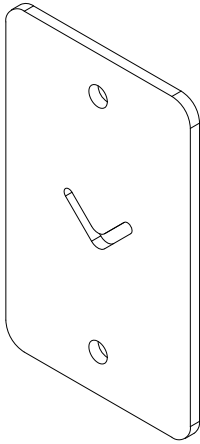
Item	Part number	Description
1	C200041	LOCK_PRO-EMI RH
2	220977	HRNS_INF LOCK
3	106372	SCRW_SM PHP #4 x 1/2 SS
4	227588-S	PLT_ACCESS SMART LCK KEY RES
5	300878	KEY_KWIK LCK AUTO DOOR
6	227858-S	PLT_ACCESS SMART LCK INSIDE
7	200939	KEY_EMERGENCY (PORTA/PRO-EMI/WR500 LOCK)
8	103775	VIEWER_DOOR W/O GLASS B-02
9	209296	DECAL_TAG KEY EMERG KWIK/EMI
10	320212	TAG_KEY EMERG KWIK/EMI
11	209297	DECAL_KEY EMERG WARNING KWIK
-	320639	TEMPLATE_INSTALL PRO-EMI LOCK

---

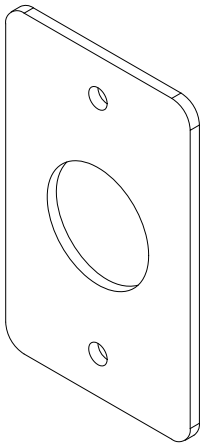
**Emergency access key (PORTA, PRO-EMI) - 300878**



**Landing side access plate (PORTA, PRO-EMI) - 227588-S**

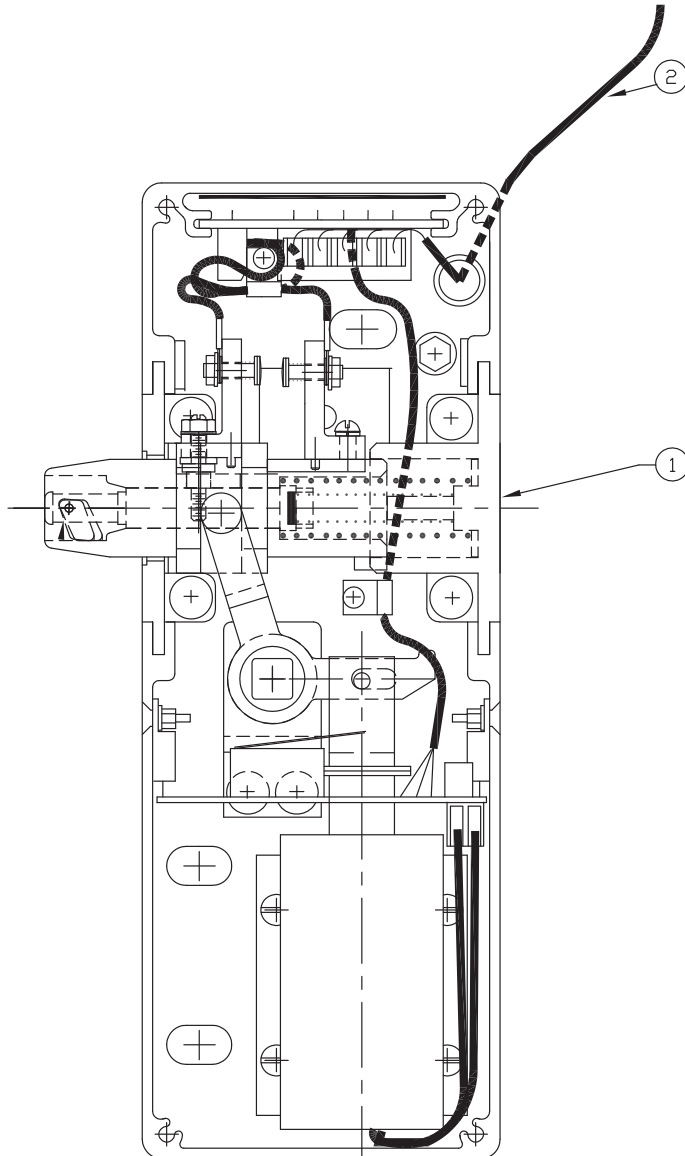


**Hoistway side access plate (PORTA, PRO-EMI) - 227858-S**

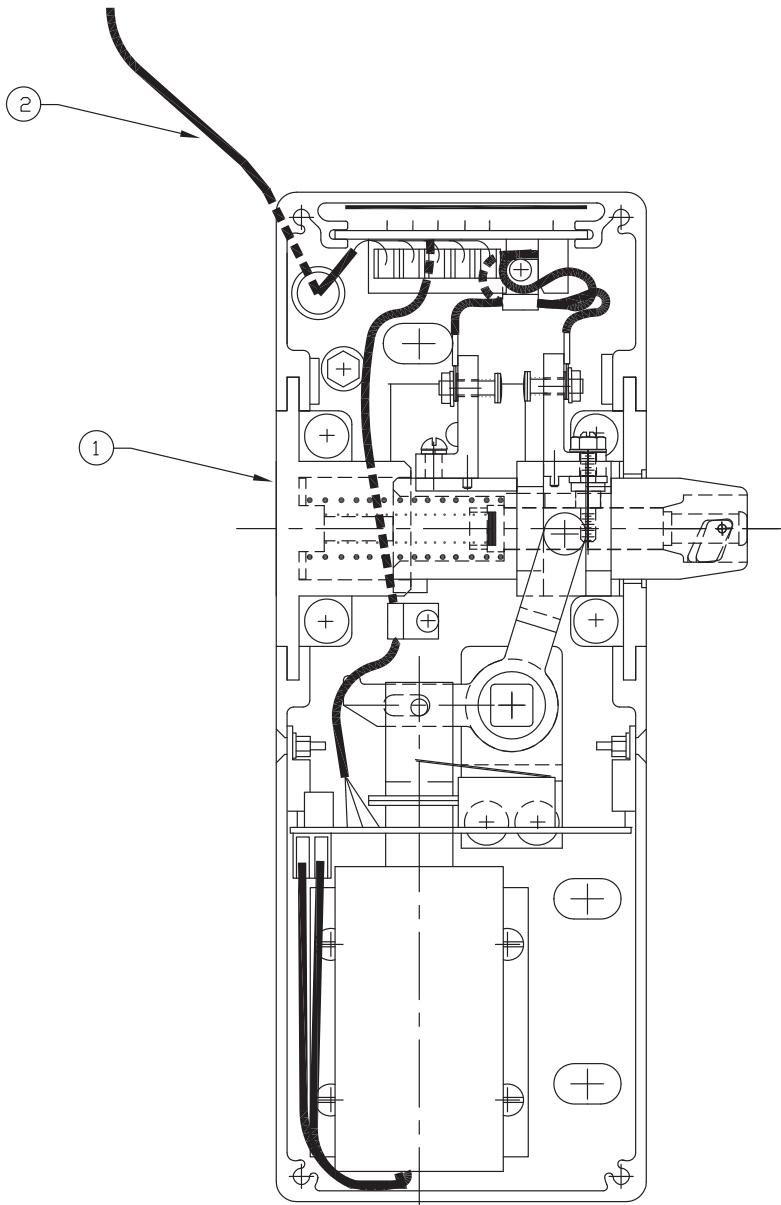


## Door locks – PRO

### Firepro PRO lock, left hand - 211199

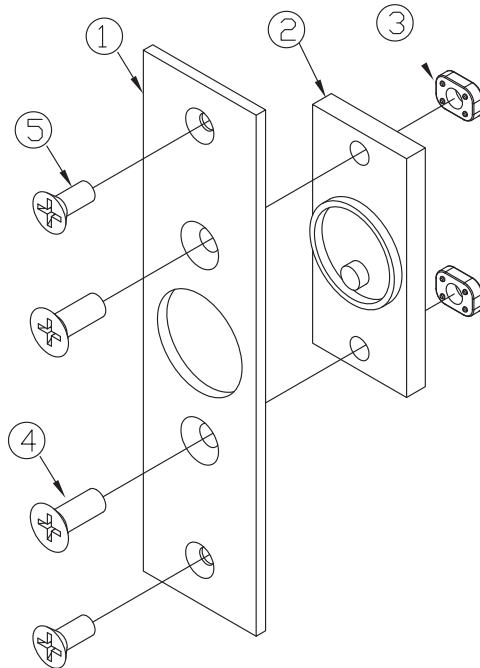


Item	Part number	Description
1	772020	LOCK_ASSY SMART PRO LH
2	211162	HRNS_VOY PROLOCK

**Firepro PRO lock, right hand - 211200**

Item	Part number	Description
1	772068	LOCK_ASSY SMART PRO RH
2	211162	HRNS_VOY PROLOCK

## PRO lock striker assembly - 205270



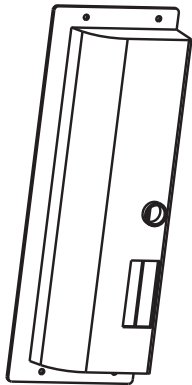
Item	Part number	Description
1	202021	PLT_FACE STRIK KEEPER PRO-DOOR
2	731014	KEEPER_STRIKE PRODR FRML L2005
3	103506	NUT_WELD 1/4-20 TAB
4	100084	MS_FHP 1/4-20 x 5/8
5	101064	MS_FHP 12-24 x 1/2 U/CUT

## Door locks – GAL

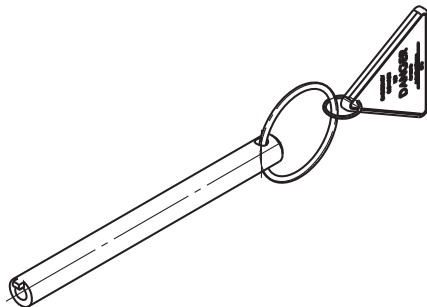
### GAL lock kit, left hand - 321095-L

Item	Part number	Description
1	248418-L	LOCK_GAL INTRLCK LH ASSY
2	248401-L	COVER_GAL PLASTIC LH
3	321059	SPACER_GAL CONNECT V1504-PLUS
4	248401-3	COVER_PEAK GAL GT 248
5	321060	PLATE_GAL CONNECT V1504-PLUS
6	105426	MS_RH 1/4-20X3.50 ZNC
7	101575	KEY_EMERGENCY HALL SIDE
8	105418-Y	SCRW_SM PHR #8X3/4 TEK YLW ZNC
9	101210	WSHR_FLT #10 ZINC
10	105802	NUT_HEX 10-24 NYLOK ZNC
11	105415	MS_10-24 X 1" TRUSS HD S/S
12	105500	SEALANT_SIKAFLEX 552 GREY

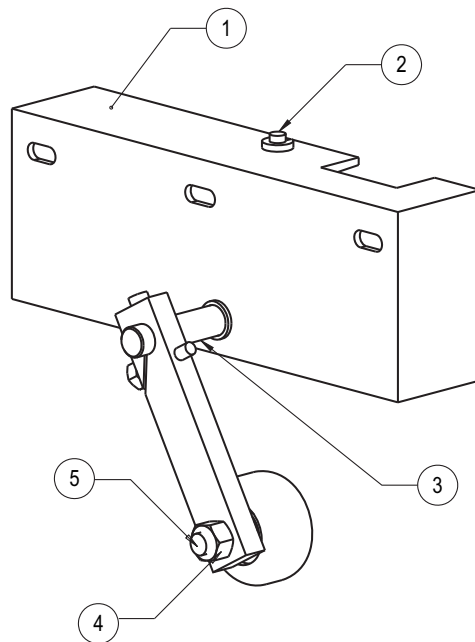
### GAL lock left hand cover - 248401-L



### GAL lock emergency key, hall side - 101575



## GAL lock, left hand assembly - 248418-L



Item	Part number	Description
1	106084-L	INTERLOCK_N LH INT22-0060L
2	248410	SHAFT_2 GT
3	248409	SHAFT_1 GT GAL INTERLOCK
4	100544	NUT_HEX 5/16-18
5	100169	HHCS_5/16-18 x 1 1/2 GR5

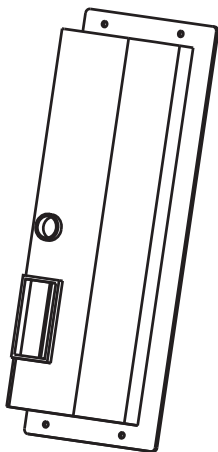
## Left hand GAL interlock - 106084-L

Item	Part number	Description
1	100978	INTERLOCK_ARM W/ROLLER 3"CNT LN
2	100980	INTERLOCK_KEEPER SUR MNT M-14-2

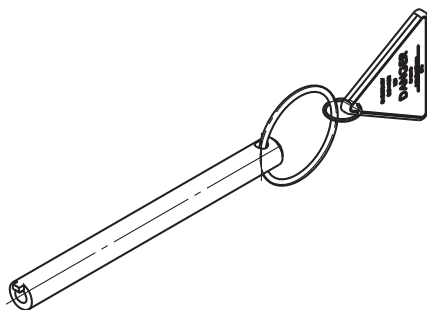
## GAL lock kit, right hand - 321095-R

Item	Part number	Description
1	248418-R	LOCK_GAL INTRLCK RH ASSY
2	248401-R	COVER_GAL PLASTIC RH
3	321059	SPACER_GAL CONNECT V1504-PLUS
4	248401-3	COVER_PEAK GAL GT 248
5	321060	PLATE_GAL CONNECT V1504-PLUS
6	105426	MS_RH 1/4-20X3.50 ZNC
7	101575	KEY_EMERGENCY HALL SIDE
8	105418-Y	SCRW_SM PHR #8X3/4 TEK YLW ZNC
9	101210	WSHR_FLT #10 ZINC
10	105802	NUT_HEX 10-24 NYLOK ZNC
11	105415	MS_10-24 X 1" TRUSS HD S/S
12	105500	SEALANT_SIKAFLEX 552 GREY

## GAL lock left hand cover - 248401-R

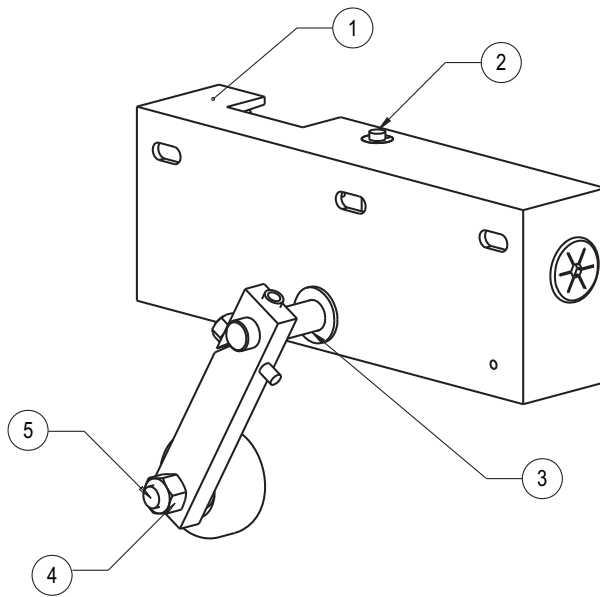


## GAL lock emergency key, hall side - 101575





## GAL lock, right hand assembly - 248418-R

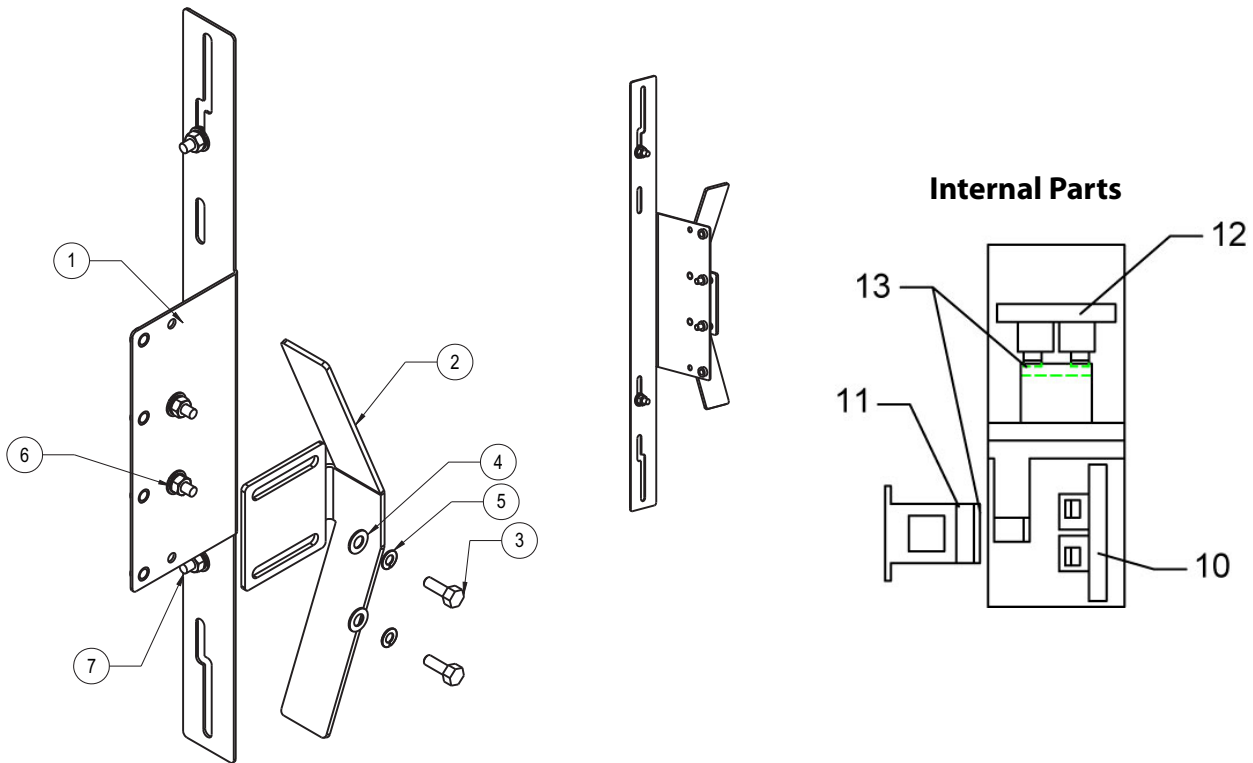


Item	Part number	Description
1	106084-R	INTERLOCK_N RH INT22-0060L
2	248410	SHAFT_2 GT
3	248409	SHAFT_1 GT GAL INTERLOCK
4	100544	NUT_HEX 5/16-18
5	100169	HHCS_5/16-18 x 1 1/2 GR5

## Right hand GAL interlock - 106084-R

Item	Part number	Description
1	100978	INTERLOCK_ARM W/ROLLER 3"CNT LN
2	100980	INTERLOCK_KEEPER SUR MNT M-14-2

## GAL roller cam - 320751



Item	Part number	Description
1	320752	BRKT_WALL ROLLER GAL V1504 PLS
2	320753	CAM_GAL ROLLER LEVER VRSION
3	104856	HHCS_1/4-20 X 3/4 S/S
4	103443	WSHR_FLT 1/4 SMALLOD S/S
5	104422	WSHR_LCK 1/4 S/S
6	104661	NUT_1/4 X 20 S/S
7	106294	BHSC_1/4-20 x 5/8 S/S

### GAL internal parts

Item	Part number	Description
10	ZVS12	GAL DOOR CLOSED CONTACT
11	ZVS13	GAL INSULATOR
12	ZVS14	GAL DOOR LOCKED CONTACT
13	ZVS15	GAL CONDUCTIVE PLATE

---

## Door locks – electric strike

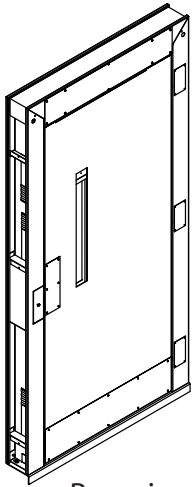
### Electric strikes

<b>Part number</b>	<b>Description</b>
2083EJ	STRIKE_ELECTRIC NON FIRE RATED
105639	STRIKE_ELECTRIC VON DUPRIN METAL 12V
105640	STRIKE_ELECTRIC VON DUPRIN WOOD 12V
106422	STRIKE_ELECTRIC VON DUPRIN 24VDC WOOD
105649	STRIKE_ELECTRIC VON DUPRIN 24VDC METAL

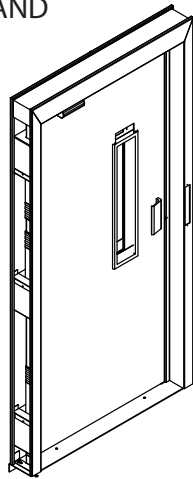
## Landing doors (2012 versions)

### Pro-doors (manual) with pro-locks

RIGHT HAND

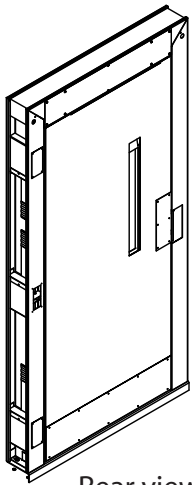


Rear view

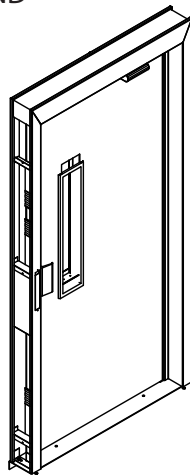


Front view

LEFT HAND



Rear view

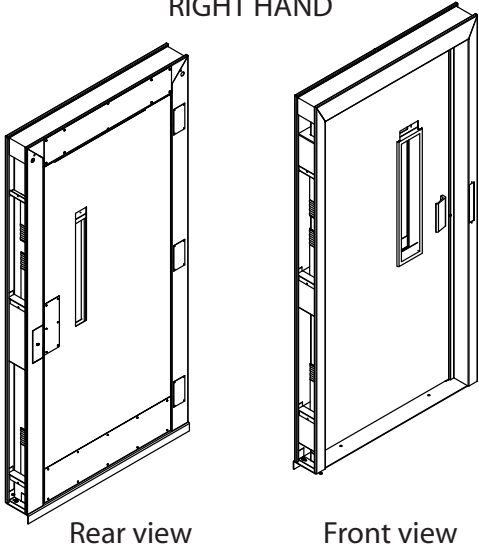


Front view

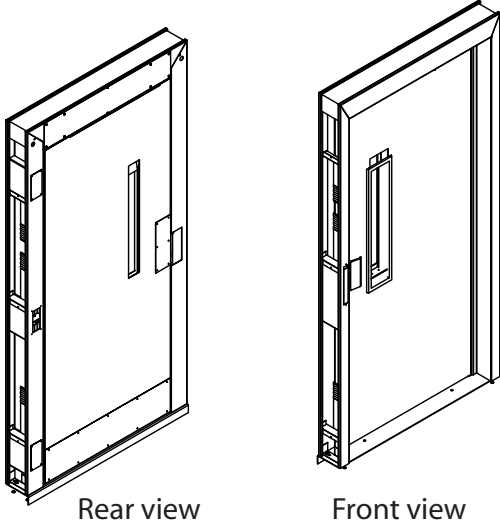
Part number	Description
211514-L	PRO-DOOR_LH, PRO-LOCK, 36", MANUAL
211514-R	PRO-DOOR_RH, PRO-LOCK, 36", MANUAL
211516-L	PRO-DOOR_LH, PRO-LOCK, 42", MANUAL
211516-R	PRO-DOOR_RH, PRO-LOCK, 42", MANUAL
G6813102245	HARDWARE KIT, PRO-DOOR, MANUAL

**Pro-doors (auto) with pro-locks**

RIGHT HAND



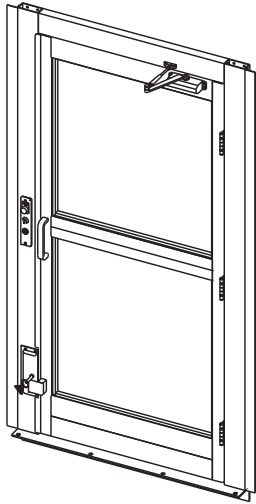
LEFT HAND



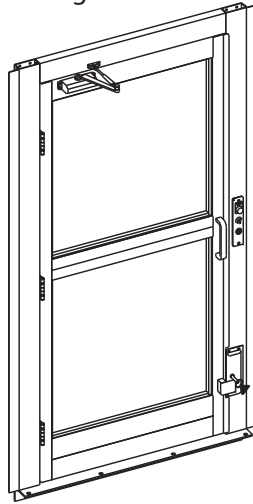
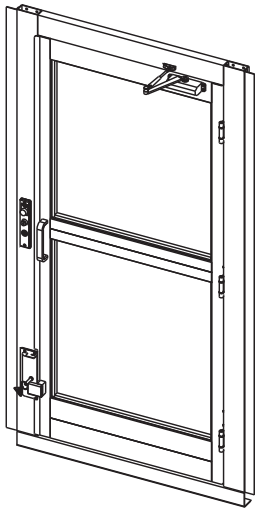
Part number	Description
211510-L	PRO-DOOR_LH, PRO-LOCK, 36", AUTO
211510-R	PRO-DOOR_RH, PRO-LOCK, 36", AUTO
211517-L	PRO-DOOR_LH, PRO-LOCK, 42", AUTO
211517-R	PRO-DOOR_RH, PRO-LOCK, 42", AUTO

## Pro-doors (manual) with GAL locks

Left hand

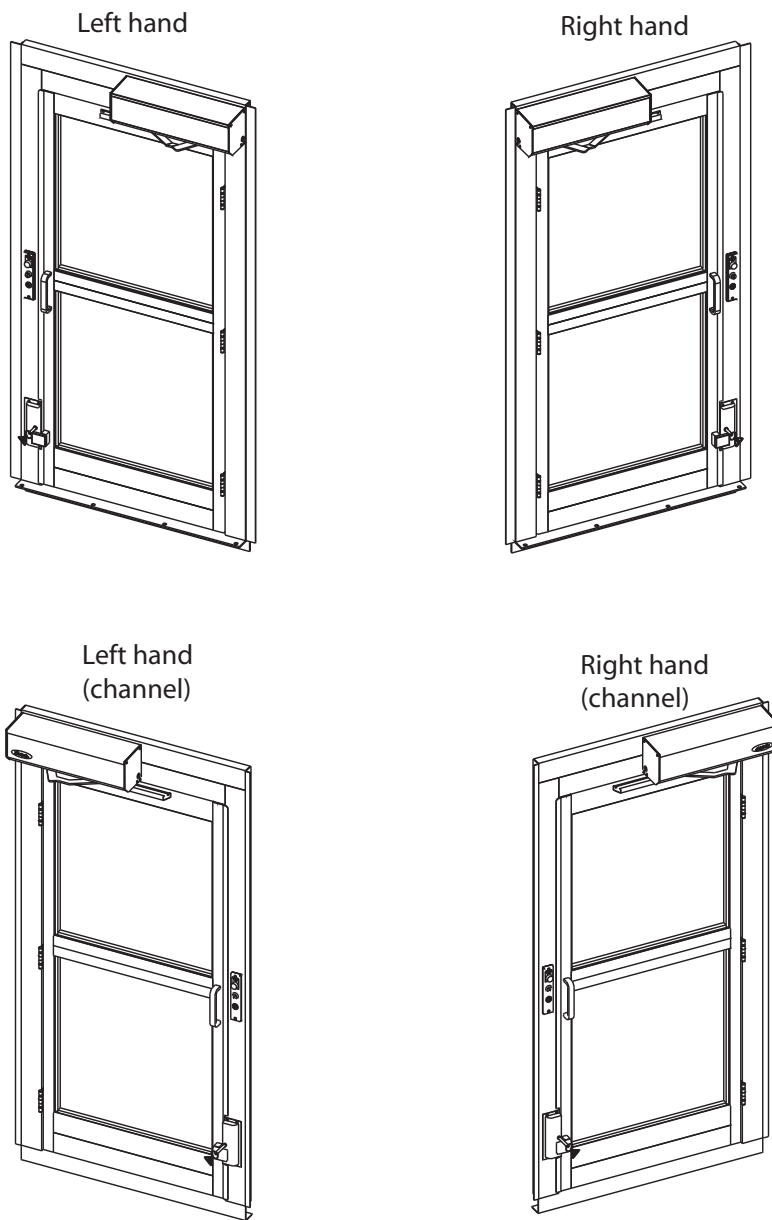


Right hand

Left hand  
(channel)Right hand  
(channel)

Part number	Description
211514-GL	PRO-DOOR_LH, GAL, 36", MANUAL
211514-GR	PRO-DOOR_RH, GAL, 36", MANUAL
211516-GL	PRO-DOOR_LH, GAL, 42", MANUAL
211516-GR	PRO-DOOR_RH, GAL, 42", MANUAL
G6813102245	HARDWARE KIT, PRO-DOOR, MANUAL

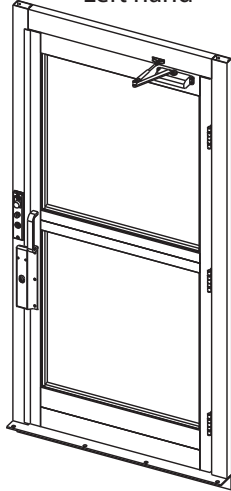
## Pro-doors (auto) with GAL/ES locks



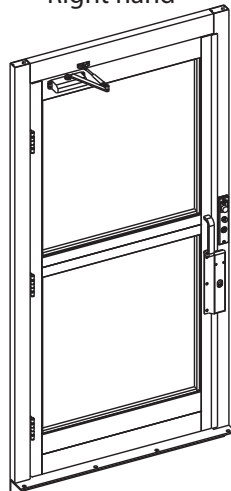
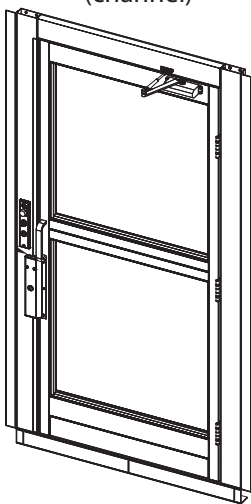
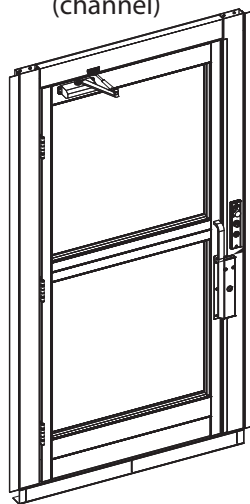
Part number	Description
211510-GL	PRO-DOOR_LH, GAL, 36", AUTO (NO UL LABEL)
211510-GR	PRO-DOOR_RH, GAL, 36", AUTO (NO UL LABEL)
211510-GEL	PRO-DOOR_LH, GAL/ES, 36", AUTO
211510-GER	PRO-DOOR_RH, GAL/ES, 36", AUTO
211517-GEL	PRO-DOOR_LH, GAL/ES, 42", AUTO
211517-GER	PRO-DOOR_RH, GAL/ES, 42", AUTO

## Pro-doors (manual) with WR-500 locks

Left hand



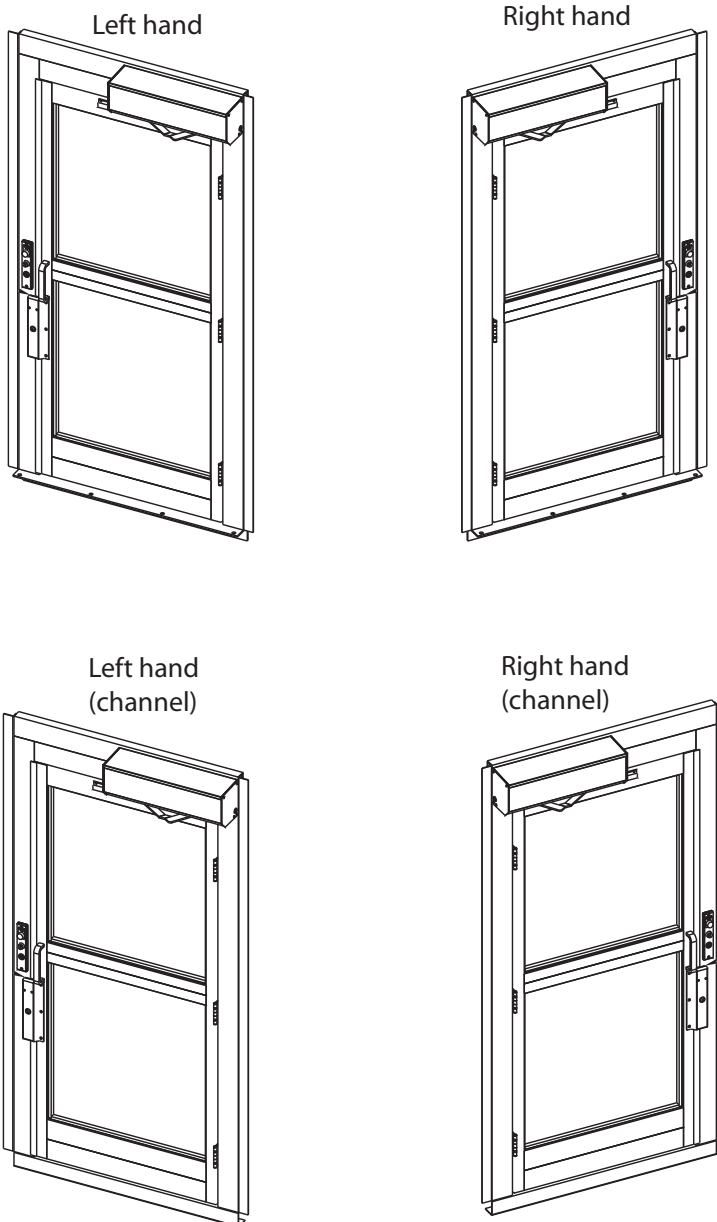
Right hand

Left hand  
(channel)Right hand  
(channel)

Part number	Description
211514-VB	PRO-DOOR_LH, WR500, 36", MANUAL
211514-VC	PRO-DOOR_RH, WR500, 36", MANUAL
211516-VB	PRO-DOOR_LH, WR500, 42", MANUAL
211516-VC	PRO-DOOR_RH, WR500, 42", MANUAL
G6813102245	HARDWARE KIT, PRO-DOOR, MANUAL



## Pro-doors (auto) with WR-500/ES locks



Part number	Description
211510-VEB	PRO-DOOR_LH, WR500/ES, 36", AUTO
211510-VEC	PRO-DOOR_RH, WR500/ES, 36", AUTO
211517-VEB	PRO-DOOR_LH, WR500/ES, 42", AUTO
211517-VEC	PRO-DOOR_RH, WR500/ES, 42", AUTO

## Landing doors (versions discontinued as of 2012)

### PRO manual landing doors (discontinued as of 2012)

Part number	Description
222542	ENT_ASSY PRO-MANUAL W/HC RH
222543	ENT_ASSY PRO-MANUAL W/LH
222552	ENT_ASSY PRO-MANUAL CALL/SEND RH
222553	ENT_ASSY PRO-MANUAL CALL/SEND LH
244990	ENT_ASSY PRO-MANUAL ROCKER RH
244991	ENT_ASSY PRO-MANUAL ROCKER LH

### PRO auto landing doors (discontinued as of 2012)

Part number	Description
222538	ENT_ASSY PRO-AUTO W/HC RH
222539	ENT_ASSY PRO-AUTO W/HC LH
222550	ENT_ASSY PRO-AUTO CALL/SEND RH
222551	ENT_ASSY PRO-AUTO CALL/SEND LH
244988	ENT_ASSY PRO-AUTO ROCKER RH
244989	ENT_ASSY PRO-AUTO ROCKER LH

### Manual landing doors with GAL locks (discontinued as of 2012)

Part number	Description
321001	DR_MANUAL GAL LH HC, 4" POST
321001-C	DR_MANUAL GAL LH CHNL HC, 4" POST
321001-R	DR_MANUAL GAL RH HC, 4" POST
321001-RC	DR_MANUAL GAL RH CHNL HC, 4" POST
324014	DR_MANUAL GAL LH HC, 3" POST
324014-C	DR_MANUAL GAL LH CHNL HC, 3" POST
324014-R	DR_MANUAL GAL RH HC, 3" POST
324014-RC	DR_MANUAL GAL RH CHNL HC, 3" POST

### Auto landing doors with GAL locks (discontinued as of 2012)

Part number	Description
321020	DR_AUTO GAL LH HC, 4" POST
3210020-C	DR_AUTO GAL LH CHNL HC, 4" POST
321020-R	DR_AUTO GAL RH HC, 4" POST
321020-RC	DR_AUTO GAL RH CHNL HC, 4" POST
324017	DR_AUTO GAL LH HC, 3" POST
324017-C	DR_AUTO GAL LH CHNL HC, 3" POST
324017-R	DR_AUTO GAL RH HC, 3" POST
324017-RC	DR_AUTO GAL RH CHNL HC, 3" POST

### Manual landing doors with WR-500 locks (discontinued as of 2012)

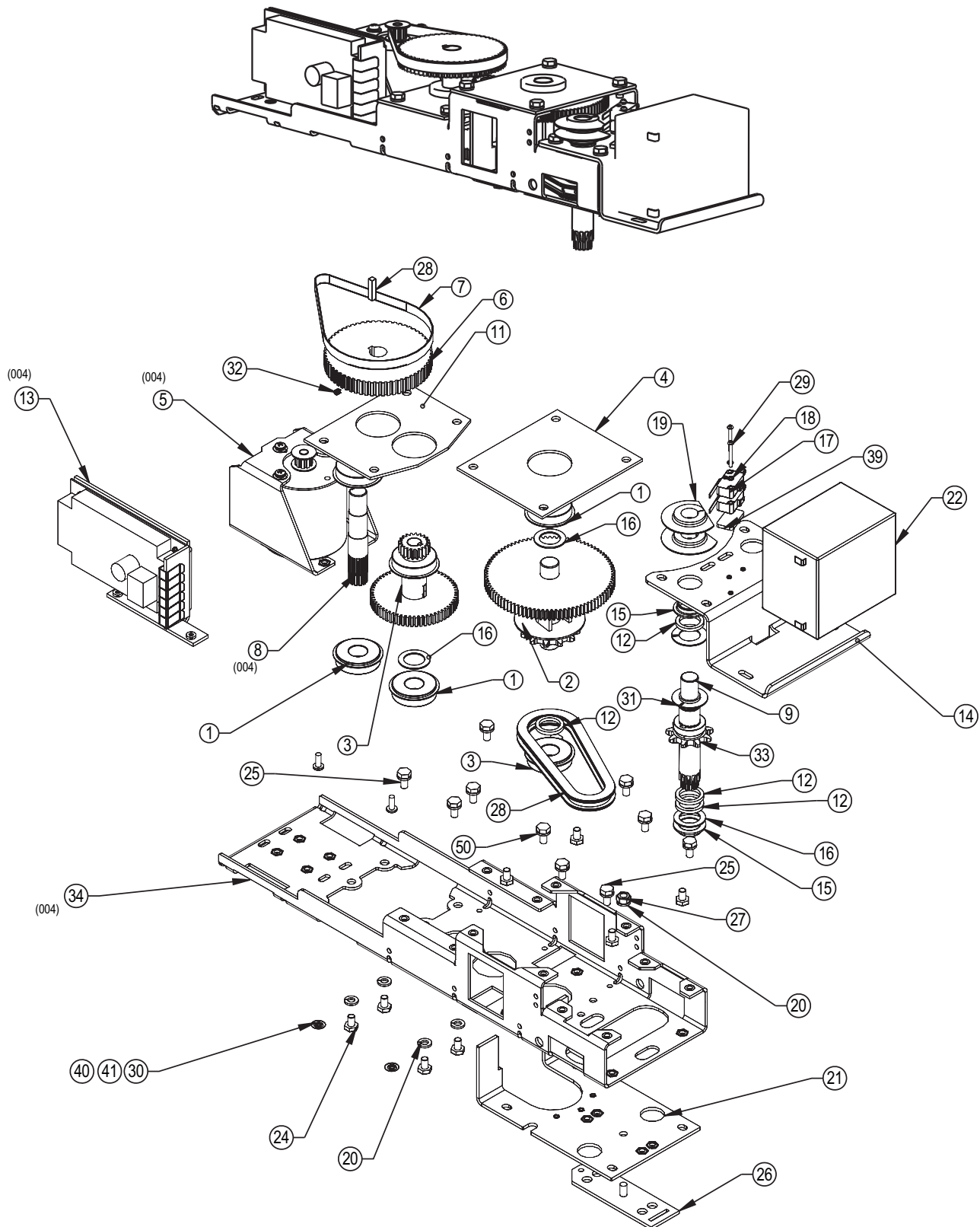
Part number	Description
321015	DR_MANUAL WR500 LH HC, 4" POST
321015-C	DR_MANUAL WR500 LH CHNL HC, 4" POST
321015-R	DR_MANUAL WR500 RH HC, 4" POST
321015-RC	DR_MANUAL WR500 RH CHNL HC, 4" POST
324000	DR_MANUAL WR500 LH HC, 3" POST
324000-C	DR_MANUAL WR500 LH CHNL HC, 3" POST
324000-R	DR_MANUAL WR500 RH HC, 3" POST
324000-RC	DR_MANUAL WR500 RH CHNL HC, 3" POST

### Auto landing doors with WR-500 locks (discontinued as of 2012)

Part number	Description
321035	DR_AUTO WR500 LH HC, 4" POST
321035-C	DR_AUTO WR500 LH CHNL HC, 4" POST
321035-R	DR_AUTO WR500 RH HC, 4" POST
32101=35-RC	DR_AUTO WR500 RH CHNL HC, 4" POST
324011	DR_AUTO WR500 LH HC, 3" POST
324011-C	DR_AUTO WR500 LH CHNL HC, 3" POST
324011-R	DR_AUTO WR500 RH HC, 3" POST
324011-RC	DR_AUTO WR500 RH CHNL HC, 3" POST

# Door operators – pro auto

## Pro auto door operator III, right hand swing - 300697



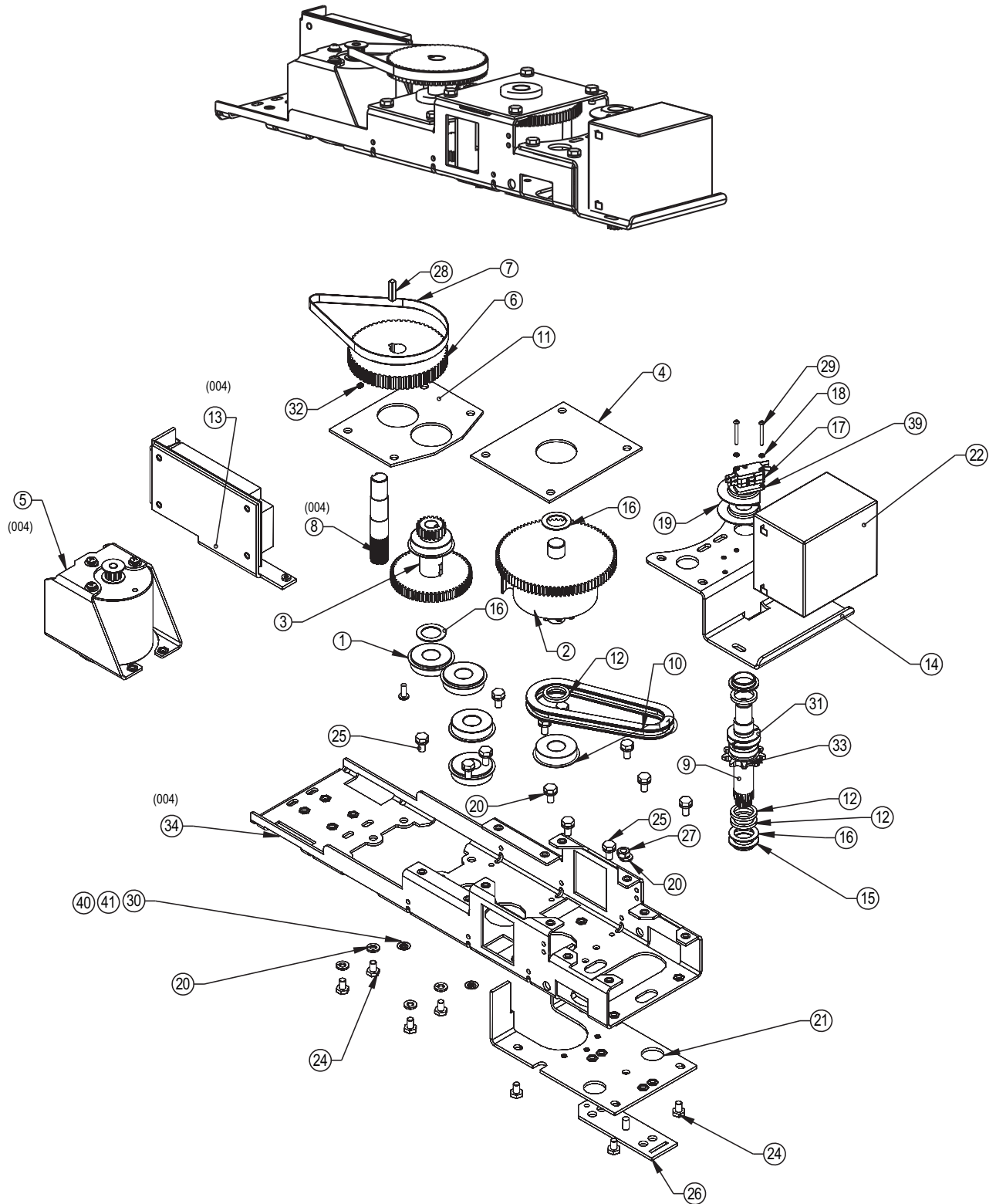
### Pro auto door operator III, right hand swing - 300697

Item	Part number	Description
1	736016	BRNG_DEEP GRV W/EXT SNAP RING
2	300687	SPNG_SHAFT ASSY RH PRO-III
3	300680	GEAR_ASSY INTERMEDIATE UNIFD
4	300649	PLT_TOP MIDDLE SHFT UNIFIED OP
5	300651	MTR_ASSY COMMNDR UNIFD
6	300617	PULLEY_60G SXL3.8odx.375id
7	103803	BELT_TIMING 3/8"W 15"PI TYP XL
9	300674	SHAFT_DRV PULLEY COMMNDR UNIFD
10	300668	CHAIN_#41 ASSY
11	300650	PLT_TOP FIRST SHAFT UNIFIED OP
12	104677	SHIM_3/4ID X 1 OD X 1/8 THK
13	300653-TR	PCB_ASSY RH COMMANDER/PRO
14	300656	PLT_TOP SW HLDR PRO-III
15	105163	BRNG_DUF 3/4 ID X 1/4 FLNG
16	104712	SHIM_3/4ID 1 1/8 OD X .047
17	100241	SW_SNSTV EDGE
18	102303	WSHR_LCK #4
19	100552	CAM_POWER DOOR OPTO-CAM R3
20	101212	WSHR_LCK 1/4 MED SPLT PLAIN
21	300655	BRKT_SPNG OPRTR UNIFD
22	677002	BTRY_12V 4.5 (KIWK/PRO)
24	105172	HHCS_1/4-20 x 3/8
25	100155	HHCS_1/4-20 x 1/2
26	300666	PLT_SPCR BTM PRODOOR-III
27	102205	NUT_HEX 1/4-20
28	105162	KEYSTOCK_SQR 3/16
29	100136	MS_PHP 4-40 x 1
30	101153	MS_RHP 10-32 x 1/2
31	102786	RING_RTNG 3/4 EXT
32	104672	SCRW_SET 10-24 X 1/4 CONEPOIT
33	300628	SPRKT_41 9 TEETH STEEL

---

<b>Item</b>	<b>Part number</b>	<b>Description</b>
34	300648	HSG_UNIFIED DOOR OPRTR
35	201261	HRNS_CMDR/PRO SWITCHES
36	201262	HRNS_PRO BATTERY
37	635007	TIE_WIRE 4
38	635048	TIE_WIRE 14
39	300625	SPCR_COMMANDER
40	101210	WSHR_FLT #10 ZINC
41	101223	WSHR_LCK #10 ZNC
42	300632	BLOCK_PRELOAD COMMANDER
43	300633	DECAL_CAUTION RMV BEFORE OPRTN

**Pro auto door operator III, left hand swing - 300698**



## Pro auto door operator III, left hand swing - 300698

Item	Part number	Description
1	736016	BRNG_DEEP GRV W/EXT SNAP RING
2	300687-L	SPNG_SHAFT ASSY LH PRO-III
3	300680	GEAR_ASSY INTERMEDIATE UNIFD
4	300649	PLT_TOP MIDDLE SHFT UNIFIED OP
5	300651	MTR_ASSY COMMNDR UNIFD
6	300617	PULLEY_60G SXL3.8odx.375id
7	103803	BELT_TIMING 3/8"W 15"PI TYP XL
9	300674	SHAFT_DRV PULLEY COMMNDR UNIFD
10	300668	CHAIN_#41 ASSY
11	300650	PLT_TOP FIRST SHAFT UNIFIED OP
12	104677	SHIM_3/4ID X 1 OD X 1/8 THK
13	300653-TL	PCB_ASSY LH COMMANDER/PRO
14	300656	PLT_TOP SW HLDR PRO-III
15	105163	BRNG_DUF 3/4 ID X 1/4 FLNG
16	104712	SHIM_3/4ID 1 1/8 OD X .047
17	100241	SW_SNSTV EDGE
18	102303	WSHR_LCK #4
19	100552	CAM_POWER DOOR OPTO-CAM R3
20	101212	WSHR_LCK 1/4 MED SPLT PLAIN
21	300655	BRKT_SPNG OPRTR UNIFD
22	677002	BTRY_12V 4.5 (KIWK/PRO)
24	105172	HHCS_1/4-20 x 3/8
25	100155	HHCS_1/4-20 x 1/2
26	300666	PLT_SPCR BTM PRODOOR-III
27	102205	NUT_HEX 1/4-20
28	105162	KEYSTOCK_SQR 3/16
29	100136	MS_PHP 4-40 x 1
30	101153	MS_RHP 10-32 x 1/2
31	102786	RING_RTNG 3/4 EXT
32	104672	SCRW_SET 10-24 X 1/4 CONEPOIT
33	300628	SPRKT_41 9 TEETH STEEL

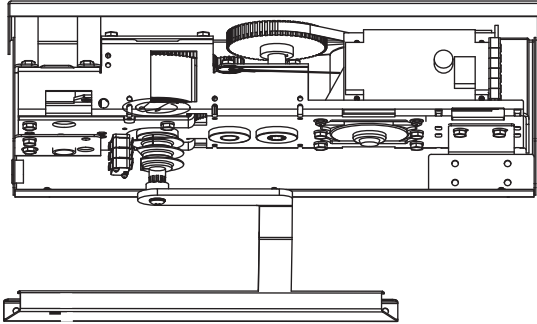


---

<b>Item</b>	<b>Part number</b>	<b>Description</b>
34	300648	HSG_UNIFIED DOOR OPRTR
35	201261	HRNS_CMDR/PRO SWITCHES
36	201262	HRNS_PRO BATTERY
37	635007	TIE_WIRE 4
38	635048	TIE_WIRE 14
39	300625	SPCR_COMMANDER
40	101210	WSHR_FLT #10 ZINC
41	101223	WSHR_LCK #10 ZNC
42	300632	BLOCK_PRELOAD COMMANDER
43	300633	DECAL_CAUTION RMV BEFORE OPRTN

## Door operators – Commander

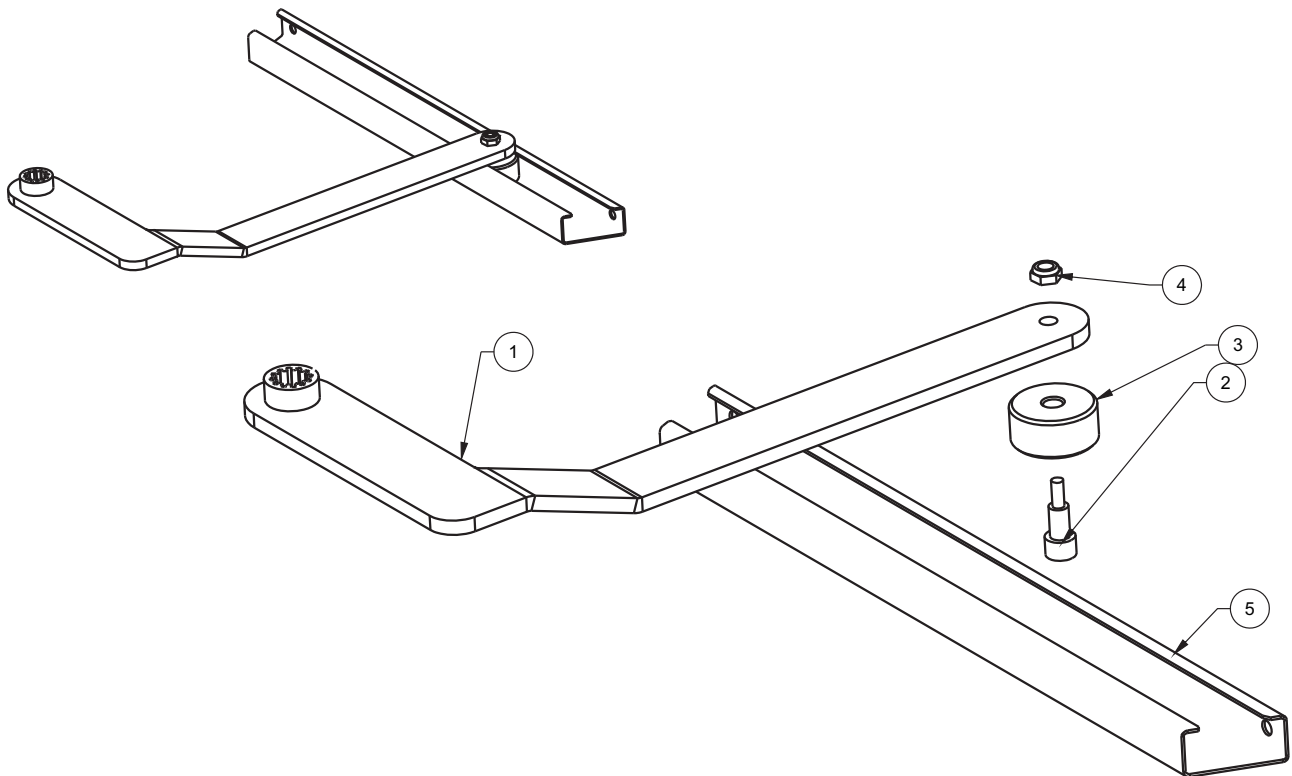
### Commander door operator, right hand, swing in - 300994



Right hand swing in  
 Pn: 300994  
 Stand in front of Commander  
 Door opens towards you

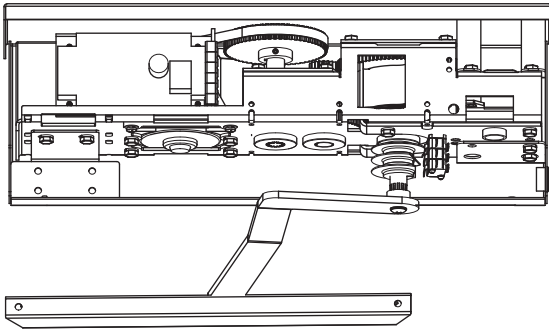
Item	Part number	Description
1	300658	PLT_MNTG RH W/A COMNDR UNI
2	300661	CVR_BOX RH COMMANDER UNIFD
3	300699	ARM_ASSY RHSI COMMND UNIFD
4	104422	WSHR_LCK 1/4 S/S
5	104652	MS_THP 1/4-20 X 5/8
6	104656	SCRW_8-32 X 1/4" TRUSS HD S/S
7	300693	HSNG_OPRTR COMMANDER RHSO
9	000606	MANUAL_INSTALL COMMANDER
10	000573	MANUAL_OWNER AUTO-DOOR OPNR
11	222467	LOGO_SAVARIA S/S
12	209197	DECAL_COMMANDER
13	104532	SCRW_TAP PH #12x1.00 S/S
14	105312	CARTON_SHP CMD OPR 21.5X6X8.5
15	300632	BLOCK_PRELOAD COMMANDER
16	300633	DECAL_CAUTION RMV BEFORE OPRTN

## Commander right hand, swing in arm/linkage - 300699



Item	Part number	Description
1	300678	ARM_OPRTR W/A RHSI COMMND UNIF
2	102121	SCRW_SHS 5/16 1/4-20 x 1/2
3	101576	RLR_NYL PRO-DOOR OPRTR ARM
4	102729	NUT_HEX 1/4-20 JAM NYLOK
5	300478	ARM_CHNL 3.474 x 15.00"

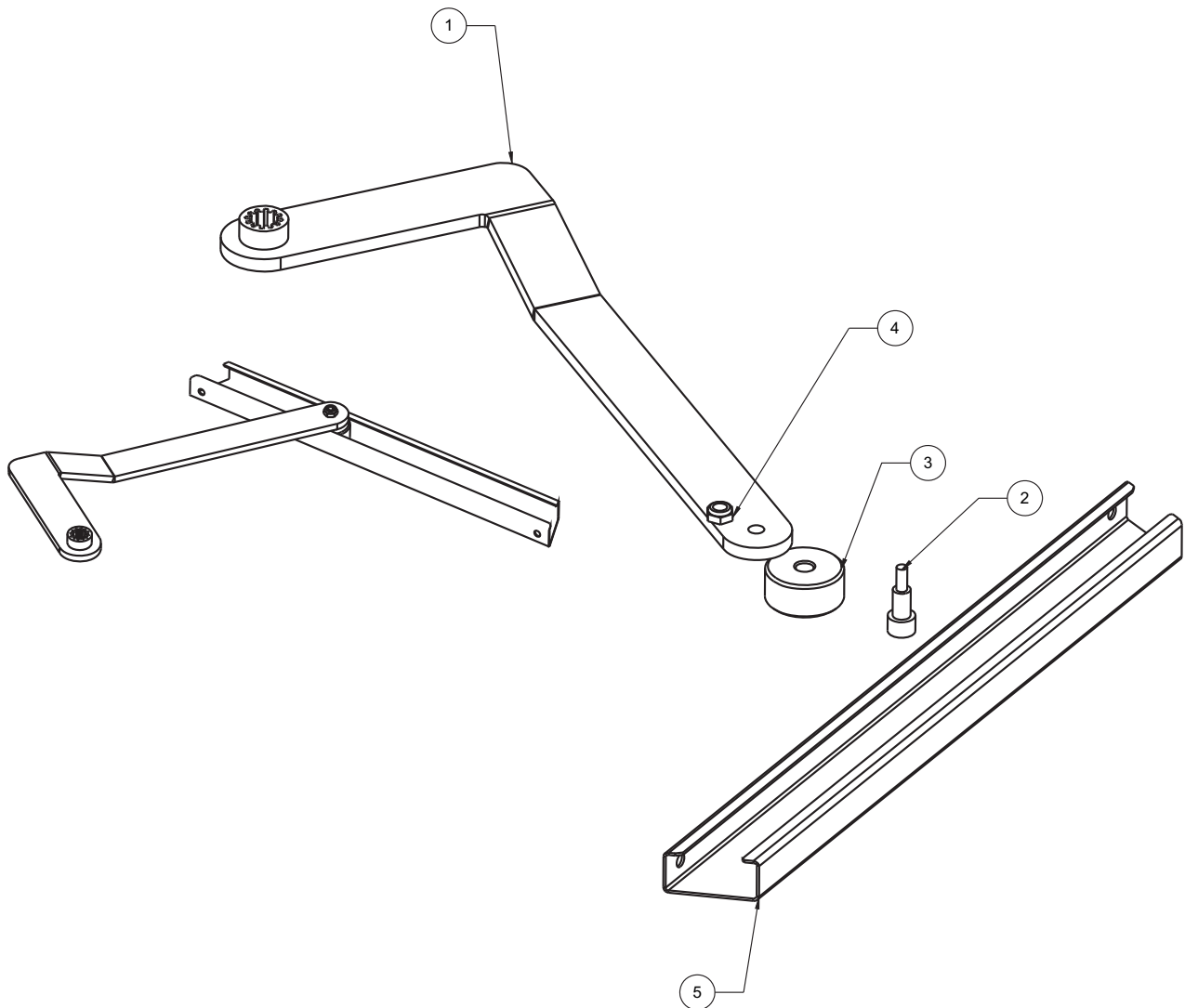
## Commander door operator, left hand, swing in - 300996



Left hand swing in  
 Pn: 300996  
 Stand in front of Commander  
 Door opens towards you

Item	Part number	Description
1	300658-L	PLT_MNTG LHW/A COMNDR UNI
2	300661-L	CVR_BOX LH COMMANDER UNIFD
3	300700	ARM_ASSY LHSI COMMND UNIFD
4	104422	WSHR_LCK 1/4 S/S
5	104652	MS_THP 1/4-20 X 5/8
6	104656	SCRW_8-32 X 1/4" TRUSS HD S/S
7	300693	HSNG_OPRTR COMMANDER RHSO
9	000606	MANUAL_INSTALL COMMANDER
10	000573	MANUAL_OWNER AUTO-DOOR OPNR
11	222467	LOGO_SAVARIA S/S
12	209197	DECAL_COMMANDER
13	104532	SCRW_TAP PH #12x1.00 S/S
14	105312	CARTON_SHP CMD OPR 21.5X6X8.5
15	300632	BLOCK_PRELOAD COMMANDER
16	300633	DECAL_CAUTION RMV BEFORE OPRTN

## Commander left hand, swing in arm/linkage - 300700



Item	Part number	Description
1	300678-L	ARM_OPRTR W/A LHSI COMMND UNIF
2	102121	SCRW_SHS 5/16 1/4-20 x 1/2
3	101576	RLR_NYL PRO-DOOR OPRTR ARM
4	102729	NUT_HEX 1/4-20 JAM NYLOK
5	300478	ARM_CHNL 3.474 x 15.00"

# **V-1504**

## **Vertical Platform Lift**

### **PARTS CATALOGUE**

Part No. 000870  
Copyright © 2018

Savaria Concord Lifts, Inc.  
[www.savaria.com](http://www.savaria.com)

Support  
2 Walker Drive  
Brampton, Ontario, L6T 5E1, Canada  
Toll free: (800) 791-7999  
Fax: (905) 791-2222

