



Telecab 17

Vertical Platform Lift



PARTS CATALOGUE

Part No. 001106
04-m01-2019

Revision History

May 29, 2017 - Initial release

July 18, 2017 - Revised P/N for COP key switch on page 67

September 26, 2017 - Revised P/Ns for COP alarm button and floor button on page 67

April 27, 2018 - Revised P/N for item 12 on pages 53 and 57

May 1, 2018 - Revised P/N for item 2 on page 60

January 4, 2019 - Added sheet metal panels for floor opening on page 66

Telecab17 Vertical Platform Lift Parts Catalogue

Part No. 001106

Copyright © 2019
Savaria Concord Lifts, Inc.
All rights reserved

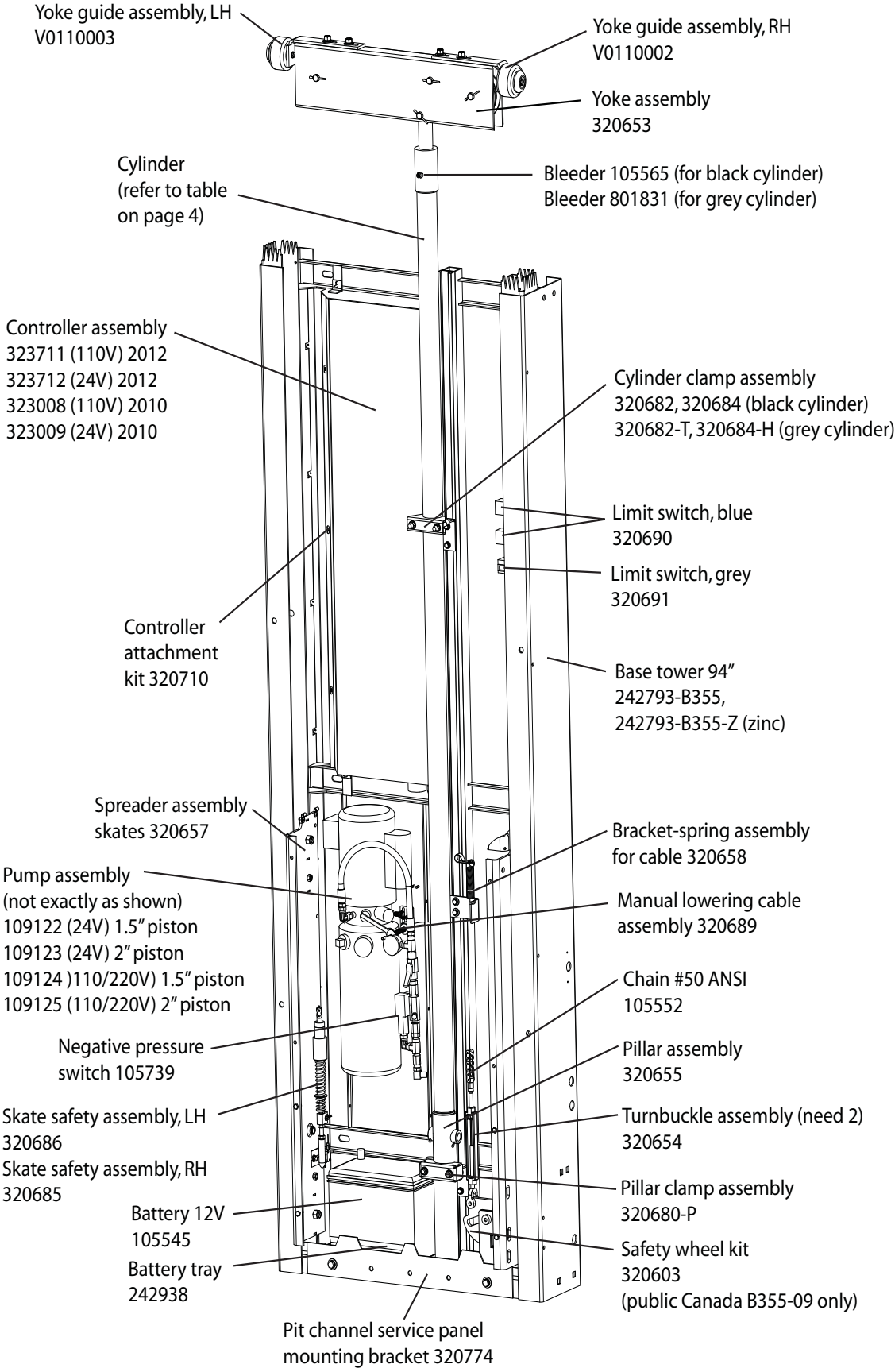
Printed in Canada

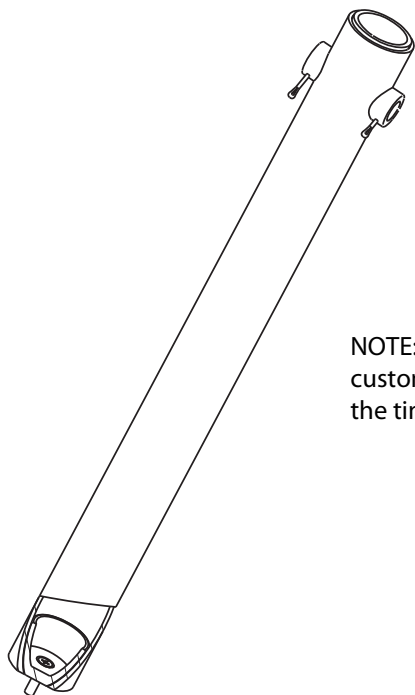
Contents

Tower assembly	5
Pillar assembly (small cylinder) - 320655	6
Cylinder	7
Clamp assemblies	8
Cylinder support shim 1/16" - V0100121	9
Cylinder support shim 1/8" - V0100122	9
Cylinder support shim 1/4" - V0100123	9
Cylinder support shim 3/16" - V0100124	9
Anchor kit (tower to concrete wall) - 207125	10
Tower shim (tower to wall) - 247428	10
Lag bolt kit (for tower to drywall) - 207124	11
Through bolt rod kit (for tower to drywall) - 200181	11
Through bolt hardware kit (for tower to drywall) - 207042	11
Shoring pin - 105758	11
Shoring pin attachment H/W	11
Yoke (cylinder head) assembly - V0110036	12
Yoke guide assembly, V0110093	13
Yoke slider - V0100237	13
Hardware to attach yoke guide/slider assembly to cylinder head	13
Turnbuckle assembly - 320654	14
Bracket-spring assembly (for cable) - 320658	15
Manual lowering cable assembly - 320689	16
Manual lowering box assembly - V01-0901	17
Manual lowering kit - 243234	17
Safety wheel kit (public Canada only) - 320603	18
Pit switch - 105117	19
Spreader assembly skates - 320657	20
Skate wheel assembly, LH - 320668	22
Skate wheel assembly, RH - 320687	25
Skate safety assembly, RH - 320685	27
Skate assembly (small), RH - 244254	28
Skate assembly (small), LH - 2442545	29
Final stopper assembly - 320659	30
Triangle bracket (to secure unanchored tower to wall) - 243702	31
U bracket (to secure unanchored tower to wall) - 245624	31
Triangle or U-bracket H/W kit - 320727	32
Limit switches	33
Limit switch harnesses/cables	33
Limit switch, blue - 320690	34
Limit switch, NC/NC - 323007	35
Limit switch, grey - 320691	36
Controller assembly	37
Controller assemblies	37
Controller attachment kit - 320710	37
Hydraulics	38
Pump assemblies	38
Manifold assembly 2" piston, 18 fpm - 109328	39
Manifold assembly 1.5" piston, 16 fpm - 109329	39

Hydraulic items	40
Tower extensions	42
Tower extension assemblies	43
Tower extension H/W kit - 243231	43
Tower back panels	44
Back panel assemblies	44
Back panel H/W kit - 243240	44
Tower cap	45
Tower cap - 323415-B	45
Tower cap H/W kit - 320702	45
Tower service panels	46
Service panels	46
Service panel H/W kit - 320703	47
Pit channel service panel mounting bracket - 320774	47
Service panel mounting bracket and clamp assemblies	48
Service panel mounting extension 46" - 320756	49
Service panel mounting extension 70" - 320757	50
Service panel mounting extension 94" - 320648	51
Cab assembly	52
Cab assembly (36 x 54), G68111001 (LH opening shown)	52
Cab assembly (30 x 46), G68111002 (LH shown)	56
Platform assembly, G68051001 (36x54) or G68051038 (30x46)	60
Back wall assembly, G68061058 (36x54) or G68061116 (30x46)	61
Side wall assembly - LH, G68061001 (36x54) or G68061079 (30x46)	62
Side wall assembly - RH, G68061038 (36x54) or G68061102 (30x46)	63
Car roof assembly, G68081001 (36x54) or G68081038 (30x46)	64
Floor plug assembly, G68041001 (36x54) or G68041021 (30x46)	65
Sheet metal panels for floor opening	66
Door assembly, G68131001 (36x54) or G68131040 (30x46)	67
Phone	68
Car operating panel	68
Hall calls (flush remote)	69
Hall calls (flush remote) up/down	69
Hall calls (flush remote) call/send	71
Hall calls (surface remote)	73
Hall calls (surface remote) up/down	73
Hall calls (surface remote) call/send	75
Miscellaneous items	77
Documents	77
Keys, tools, paint	77
Battery	77
Harnesses	78

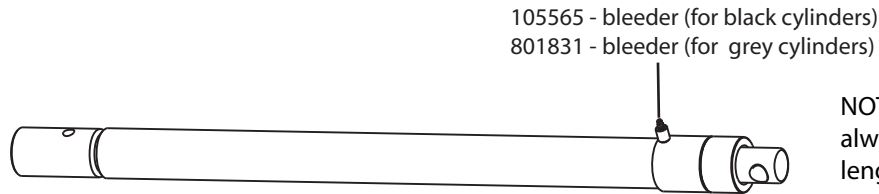
Tower assembly



Pillar assembly (small cylinder) - 320655

NOTE: The pillar length will always be custom. Please specify the length at the time of ordering.

Cylinder

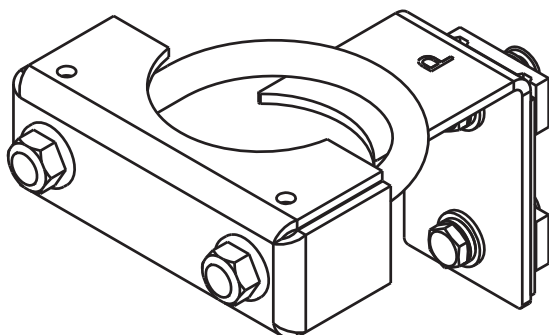


NOTE: The pre-extension length will always be custom. Please specify the length at the time of ordering.

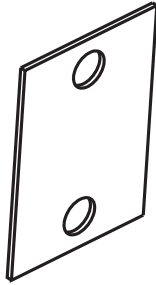
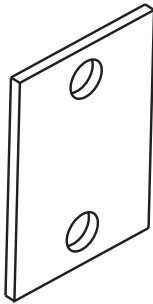
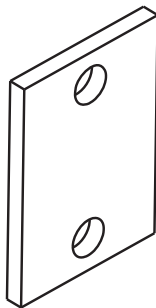
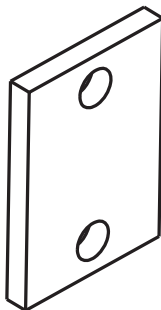
NOTE: If you are replacing an older cylinder on a unit produced in Montreal, you need to order a custom cylinder. Units produced in Montreal will have a 4 or 5 digit job number, instead of 6. For units produced in Brampton, you need to order a 3" smaller pillar with the new cylinder and a new cylinder bracket.

Part number	Description	Notes
105567	CYLINDER_36"	Black, prior to 2012
105568	CYLINDER_48"	
105569	CYLINDER_60"	
105570	CYLINDER_72"	
105571	CYLINDER_84"	
105572	CYLINDER_96"	
105573	CYLINDER_120"	
105574	CYLINDER_144"	
106396	CYLINDER_156"	
242294-T	CYLINDER_HY 1.5" SHAFT 24" STROKE	
242296-T	CYLINDER_HY 1.5" SHAFT 36" STROKE	
242298-T	CYLINDER_HY 1.5" SHAFT 48" STROKE	
242300-T	CYLINDER_HY 1.5" SHAFT 60" STROKE	
242302-T	CYLINDER_HY 1.5" SHAFT 72" STROKE	
242304-T	CYLINDER_HY 2" SHAFT 84" STROKE	
242978	CYLINDER_HY 2" SHAFT 96" STROKE	
242979	CYLINDER_HY 2" SHAFT 108" STROKE	
242980	CYLINDER_HY 2" SHAFT 120" STROKE	
242981	CYLINDER_HY 2" SHAFT 132" STROKE	
242982	CYLINDER_HY 2" SHAFT 144" STROKE	
105565	BLEEDER_CYLINDER	
801831	BLEEDER_T-CYLINDER	
320693	PIPE_PRE EXTN 2" CYL	
320694	PIPE_PRE EXTN 2.5" CYL	

Clamp assemblies

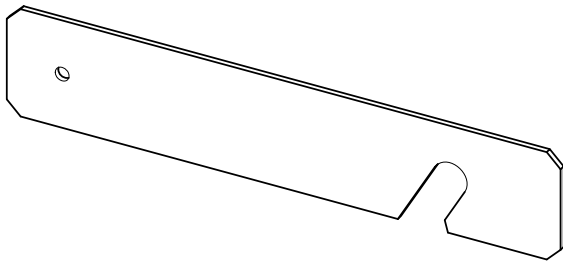


Part number	Description
320680-P	CLAMP_PILLAR CAP/BRKT ASSY 2"
320682	CLAMP_CAP CYL/BRKT ASSY 2"
320682-T	CLAMP_CAP CYL/BRKT ASSY 2.125"
320684	CLAMP_CAP CYL/BRKT ASSY 2.5"
320684-H	CLAMP_CAP CYL/BRKT ASSY 2.625"

Cylinder support shim 1/16" - V0100121**Cylinder support shim 1/8" - V0100122****Cylinder support shim 1/4" - V0100123****Cylinder support shim 3/16" - V0100124**

Anchor kit (tower to concrete wall) - 207125

Part number	Description
102251	ANCR_WEDGE 1/2 X 4 1/4
101106	NUT_HEX 1/2-13
102193	WSHR_LCK 1/2
104531	WSHR_FLT .56IDx1.375ODx.11ZNC
103023	BAG_SHIPPING 9 X 12 0.004 MIL

Tower shim (tower to wall) - 247428

Lag bolt kit (for tower to drywall) - 207124

Part number	Description
100220	SCRW_LAG HH 1/2 x 3
102193	WSHR_LCK 1/2
104531	WSHR_FLT .56IDx1.375ODx.11ZNC
103023	BAG_SHIPPING 9 X 12 0.004 MIL

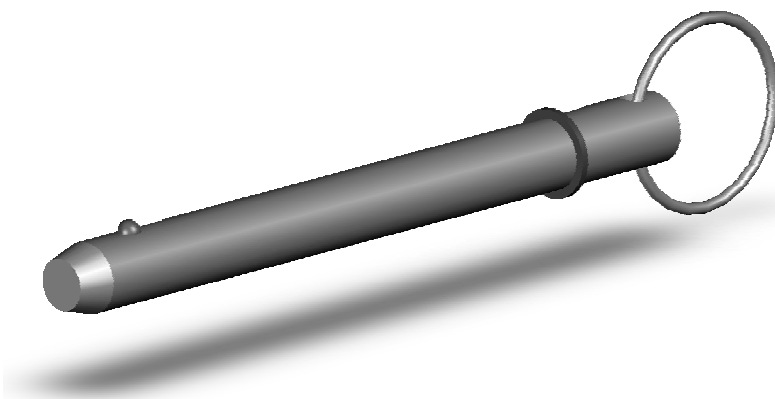
Through bolt rod kit (for tower to drywall) - 200181

Part number	Description
200180	PLT_THRU-BOLT
101188	ROD_THD 1/2-13 x 36"

Through bolt hardware kit (for tower to drywall) - 207042

Part number	Description
104531	WSHR_FLT .56IDx1.375ODx.11ZNC
102193	WSHR_LCK 1/2
101106	NUT_HEX 1/2-13

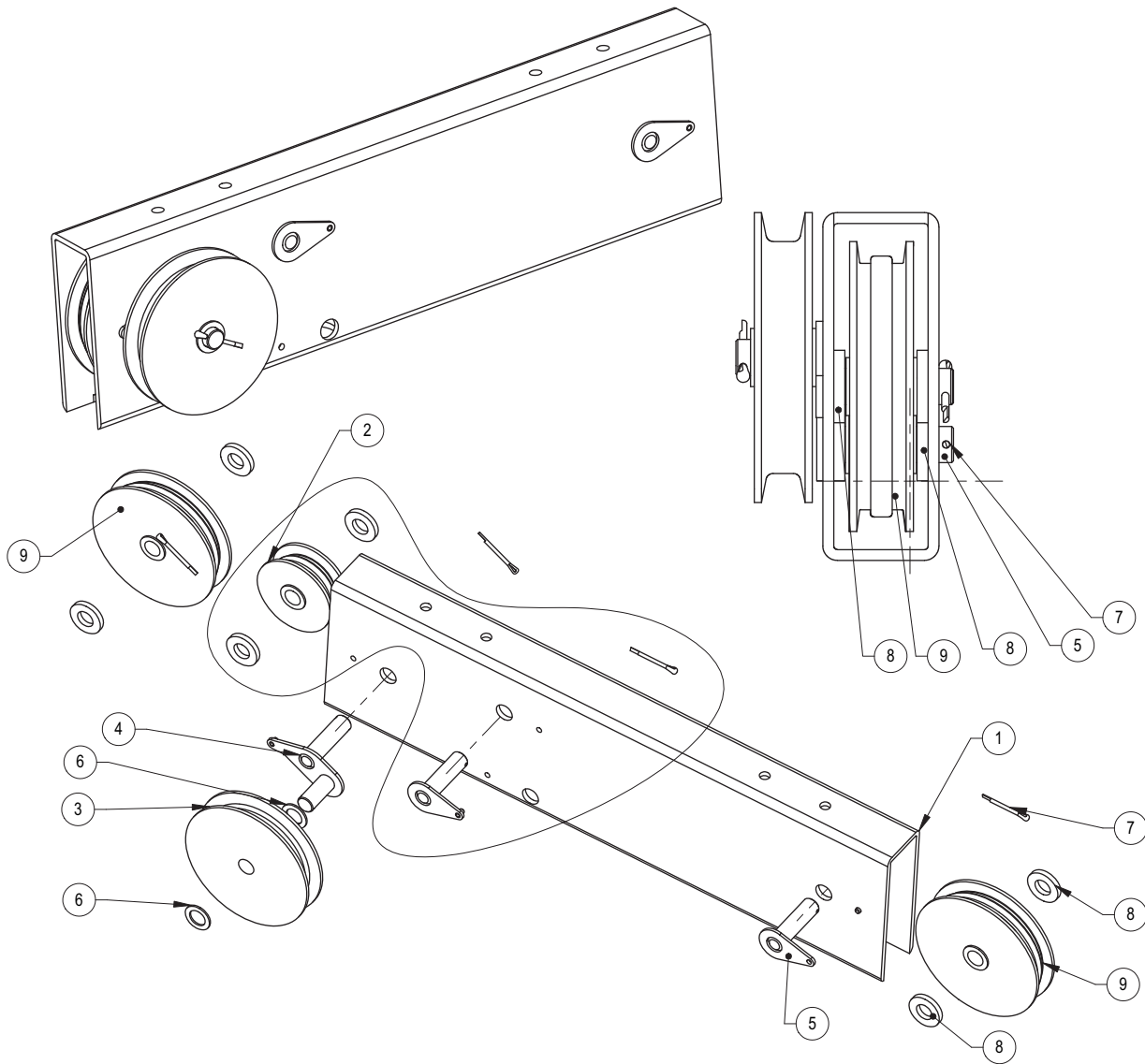
Shoring pin - 105758



Shoring pin attachment H/W

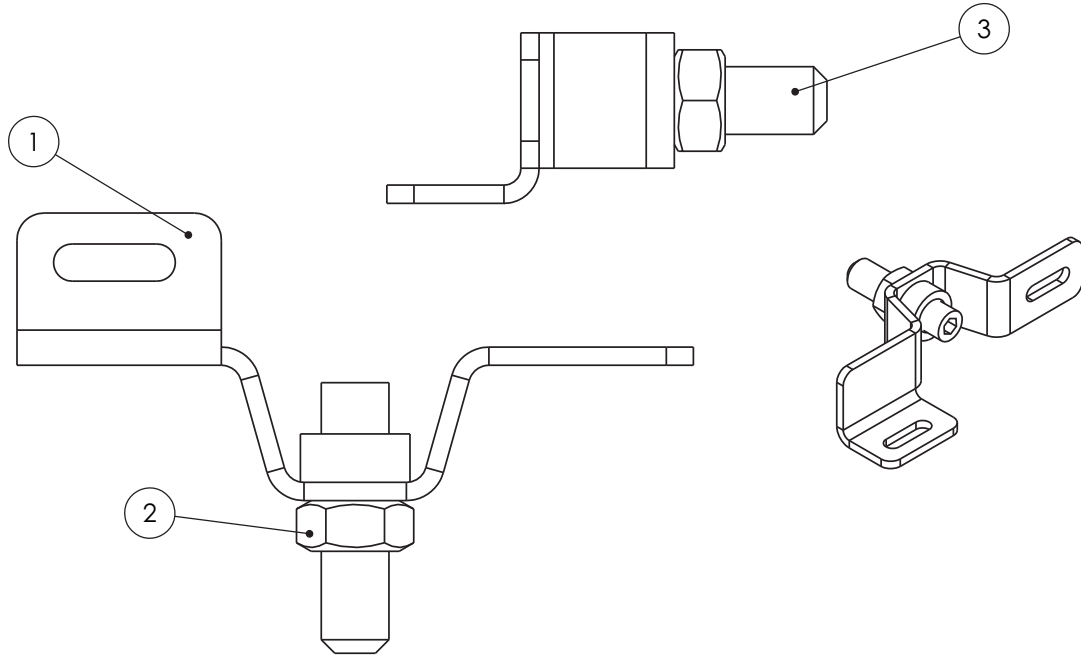
Item	Part number	Description
1	105794	SCRW_SM #14X1"SLF TAP HD

Yoke (cylinder head) assembly - V0110036



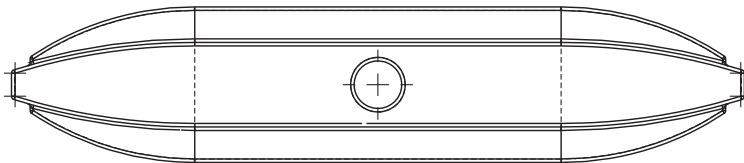
Item	Part number	Description
1	V0100085	TUBE CYLINDER HEAD
2	V0100065	RLR_CHAIN 3" DELRIN
3	V0100087	RLR_CBL
4	V0110056	SHAFT ASSY PULLEY CHAIN AND TC
5	V0110057	SHAFT_CHAIN
6	V0100144	WSHR_SHIM
7	105476	PIN_COTTER 1/8 x 1 1/2
8	V01-0308	SPCR_3/16" YOKE V-1504
9	V0110058	SHAFT_CYLINDER

Yoke guide assembly, V0110093



Item	Part number	Description
1	V0100247	GUIDE_YOKE TELECAB
2	101106	NUT_HEX 1/2-13
3	105477	SCREW_SET 1/2-13

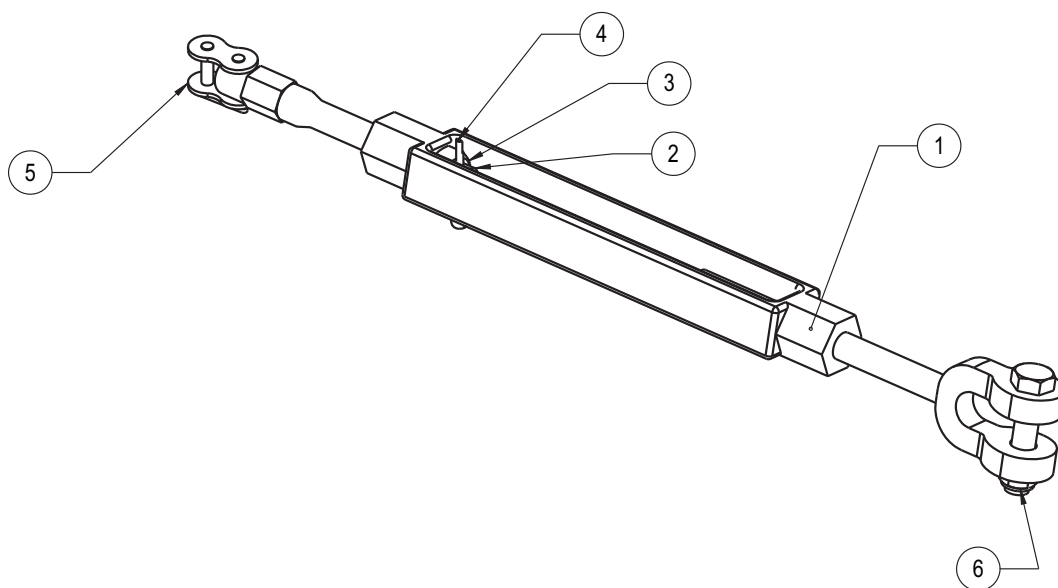
Yoke slider - V0100237



Hardware to attach yoke guide/slider assembly to cylinder head

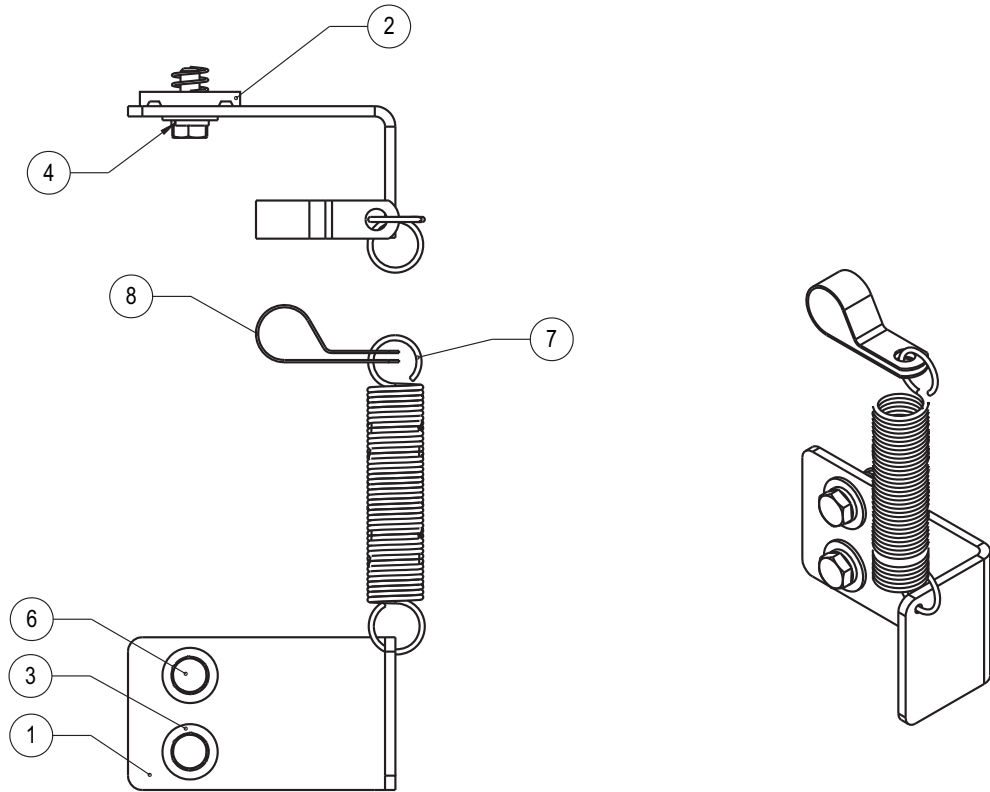
Item	Part number	Description
1	102188	WSHR_FLT 1/4 USS
2	102191	WSHR_LCK 1/4 MED SPLT ZNC
3	100171	HHCS_1/4-20 x 1 F/T

Turnbuckle assembly - 320654



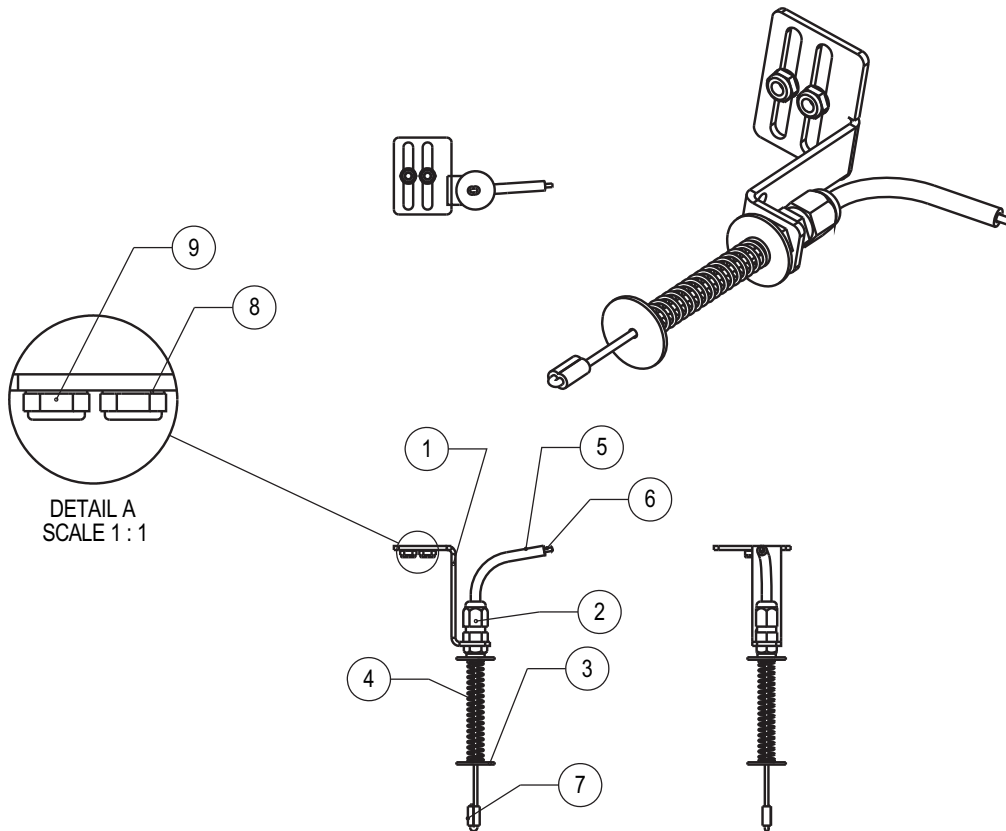
Item	Part number	Description
1	105554	TURNBUCKLE
2	V0100091	TENSIONER_CHAIN B07
3	102186	NUT_HEX 3/8-16
4	101059	PIN_COTTER 3/32 x 1
5	105553	CHAIN_CONN LINK #50 2 PIN
--	105552	CHAIN_#50 ANSI
6	102951	NUT_HEX 5/16-18 NYLOK
7	106787	NUT_HEX 3/8-16 LH

Bracket-spring assembly (for cable) - 320658



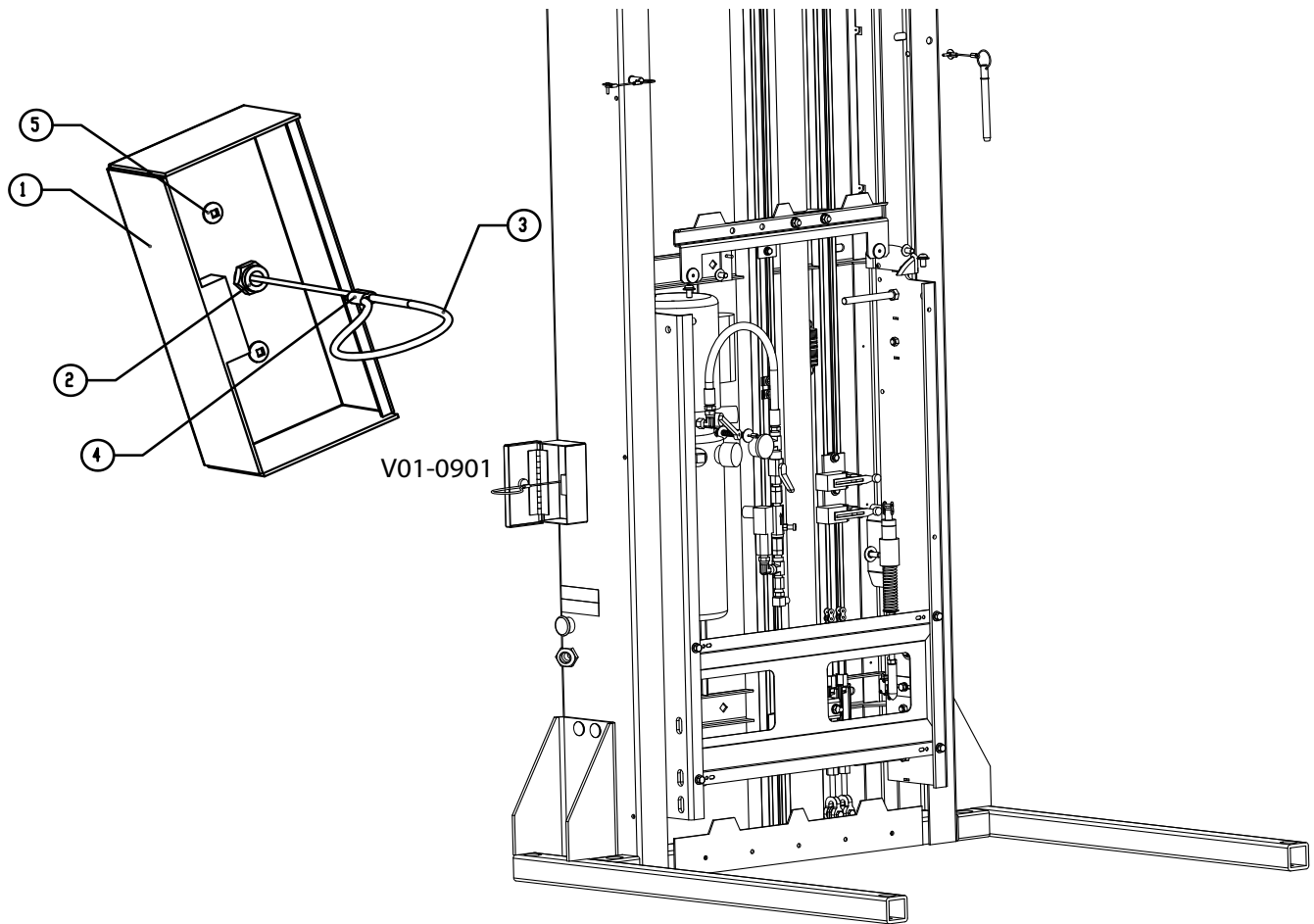
Item	Part number	Description
1	V0100203	ANGL_PLATE V1504
2	101097	NUT_SPNG STRUT LOCK 1/4-20
3	101196-Y	WSHR_FLT 1/4 USS YLW ZINC HRD
4	101213-Y	WSHR_LCK 1/4 YLW ZINC
5	101836	HHCS_1/4-20 x 3/4
6	105583	SPNG_EXT TRV CBL
7	105613	CLAMP_3/4" TUBE DIA .203"HOLE

Manual lowering cable assembly - 320689



Item	Part number	Description
1	V0100017	SPRT_CBL MANUAL LWRNG
2	105544	STRN_RLF CON .114-.250" .492"D
3	V0100243	WSHR_FLT 1/8" X 1"OD 1/16"THK
4	V0100242	SPNG_COMP 2.670L .045D .422EXT
5	103157	CBL_CARRIER .09id X .188od
6	102791	CBL_WIRE ROPE .06sst rgb23"
7	101238	SLEEVE_CABLE 1/16 ALUM
8	101206	WSHR_FLT #8 SAE ZINC
9	104400	NUT_HEX 10-24 NYLOK S/S

Manual lowering box assembly - V01-0901

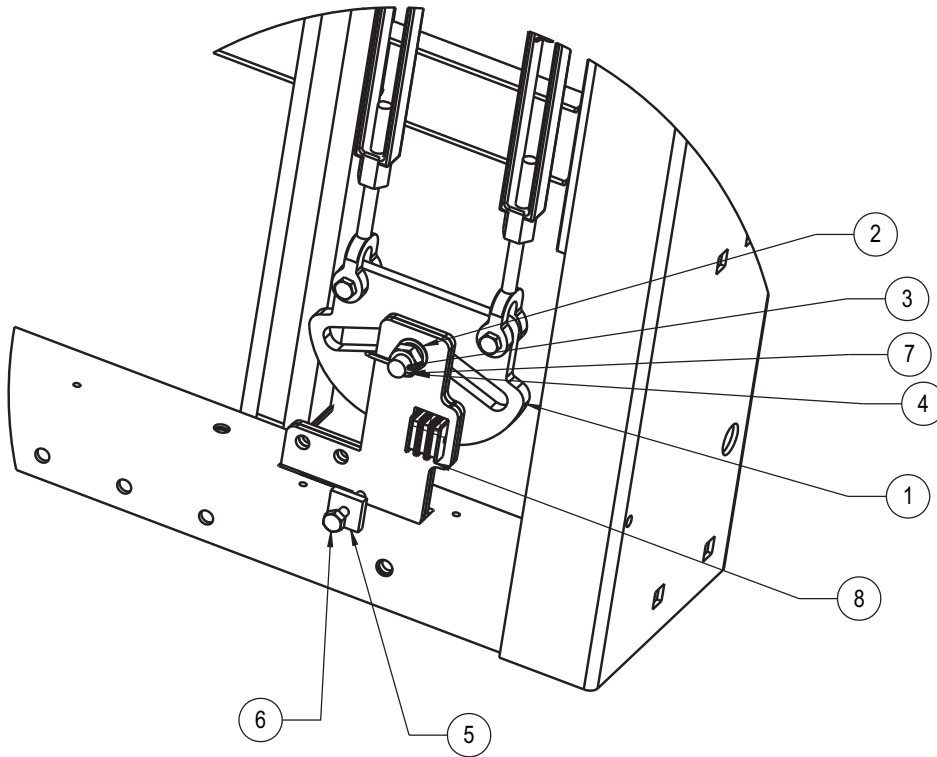


Item	Part number	Description
1	V01-0901	BOX_MAN LOWERING ASSY
2	105544	STRN_RLF CON .114-.250" .492"D
3	243307	TUBE_POLY 15"
4	105576	SLEEVE_CABLE 3/32 ALUM
5	105418	SCRW_SM PHR #8X3/4 BARE

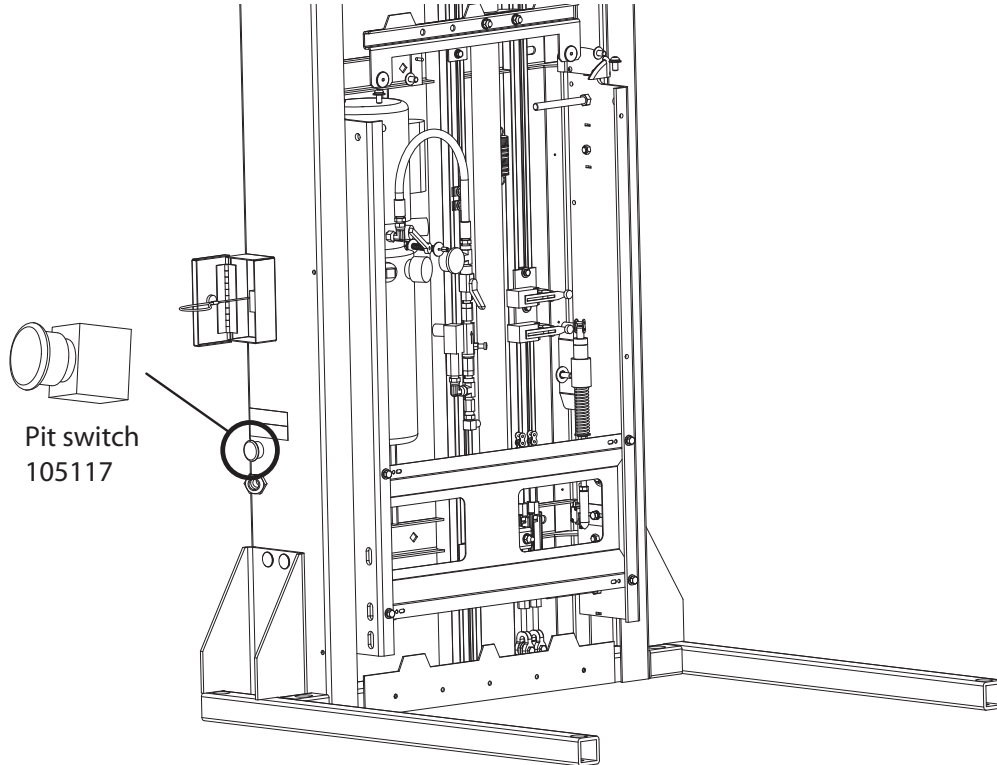
Manual lowering kit - 243234

Part number	Description
101238	SLEEVE_CABLE 1/16 ALUM
105544	STRN_RLF CON .114-.250" .492"D
103157	CBL_CARRIER .09id X .188od
105418	SCRW_SM PHR #8X3/4 BARE

Safety wheel kit (public Canada only) - 320603

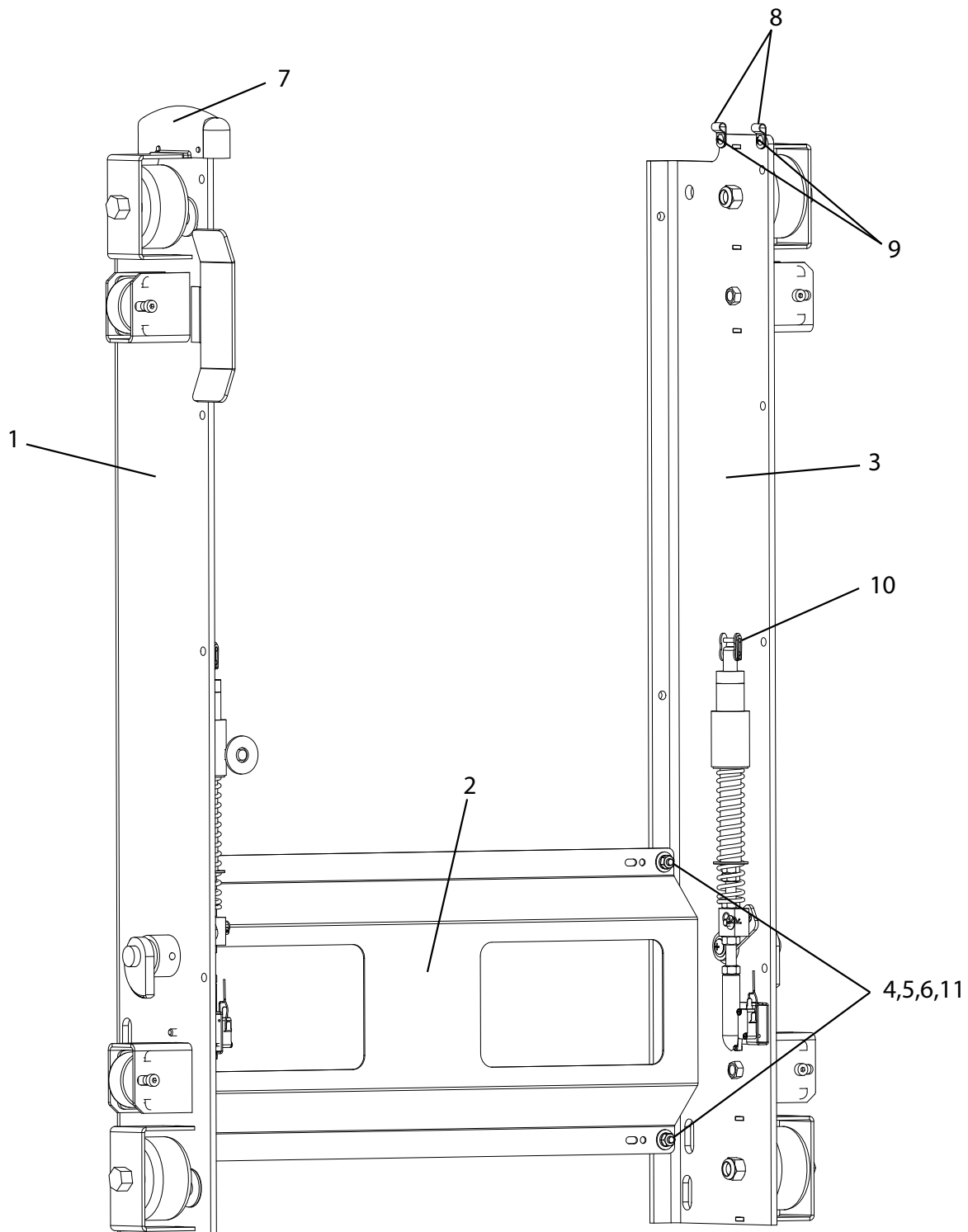


Item	Part number	Description
1	320600	SAFETIES_WHEEL V-1504 B355
2	103944	WSHR_FLT .656IDx.875ODx.031 THK
3	320277	SCRW_SHLDR 5/8"X1"X1/2-13 W/HL
4	105315-Y	NUT_HEX 1/2-13 JAM NYLK YLW ZN
5	320276	PLT_SFTY SET UP V1504 B355
6	102344-Y	HHCS_1/4-20 x1 1/4 YLW ZNC
7	101832	PIN_COTTER 1/8 x 1
8	105309	MAGNET_1.06 X .83
9	000778	BULLETIN_Tech SFTY BRK TST

Pit switch - 105117

Item	Part number	Description
1	320719	HRNS_SWITCH PIT

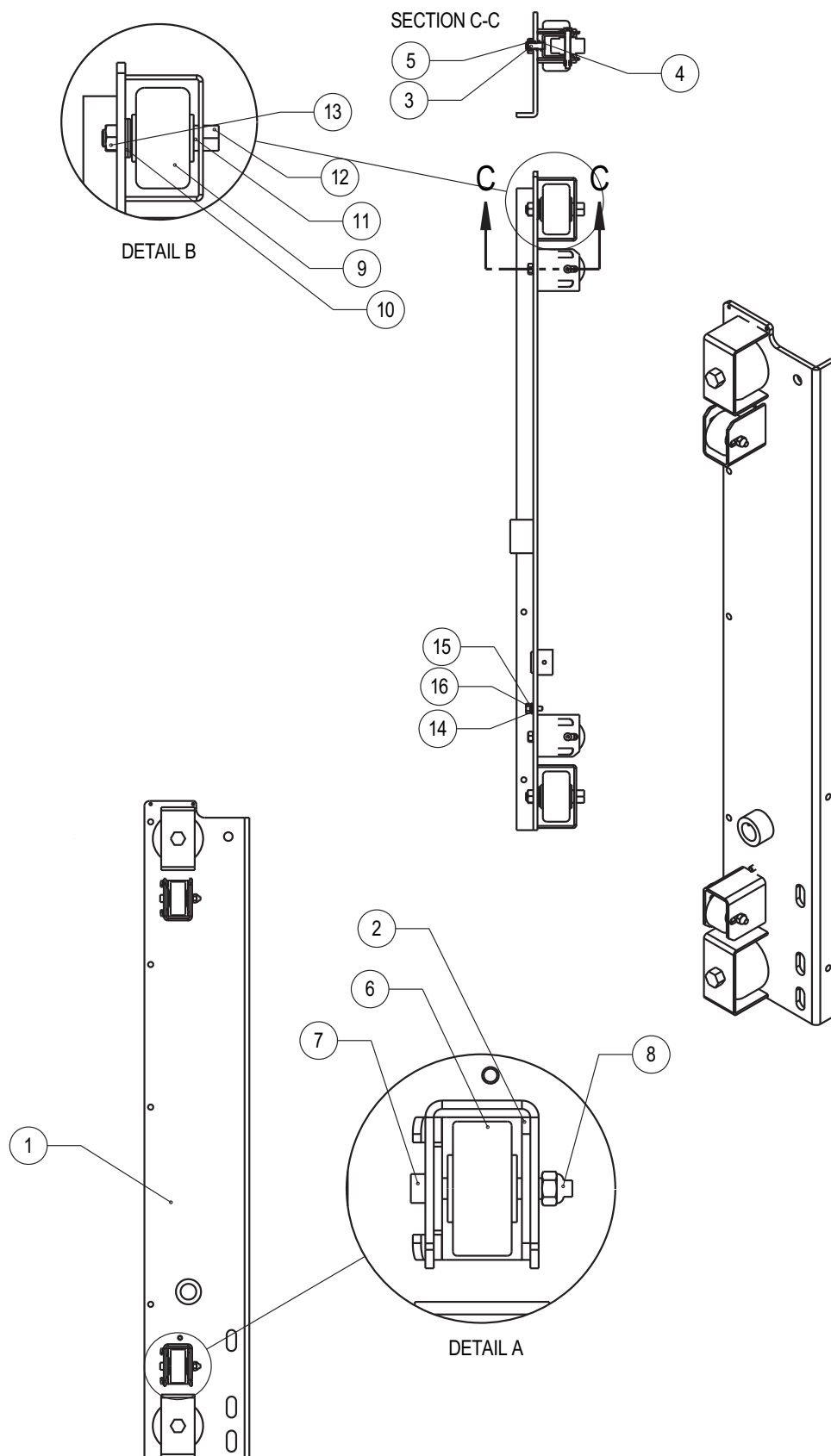
Spreader assembly skates - 320657



Spreader assembly skates - 320657

Item	Part number	Description	Photo
1	242921	SKATE_V-1504 LH ASSY	
2	242860	SPRD_SKATE V-1504	
3	242924	SKATE_V-1504 RH ASSY	
4	101196-Y	WSHR_FLT 1/4 USS YLW ZINC HRD	
5	101213-Y	WSHR_LCK 1/4 YLW ZINC	
6	101836-Y	HHCS_1/4-20 X 3/4 YLW ZNC	
7	V0100240	CVR_NARROW WIRE FENCE BLK	
8	106317	CLAMP_1/4" COL CUSHION	
9	103179	MS_RH #10-24x0.50" PLPS ZNC	
10	105553	CHAIN_CONN LINK #50 2 PIN	
11	102205	NUT_HEX 1/4-20	
12	243168	HRNS_V1504 SLACK CHAIN	
13	V01-0207	BRKT_SFTY LIMIT SW HARNESS	
14	103116	SW_POS ACT W/RLLR BVM3FYR1	

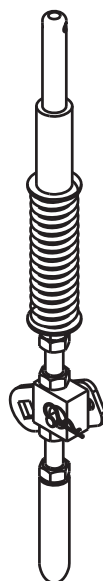
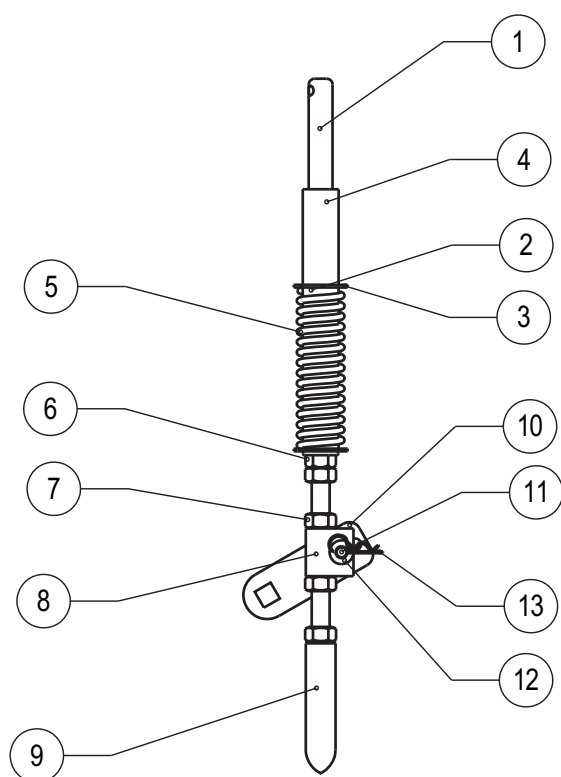
Skate wheel assembly, LH - 320668



Skate wheel assembly, LH - 320668

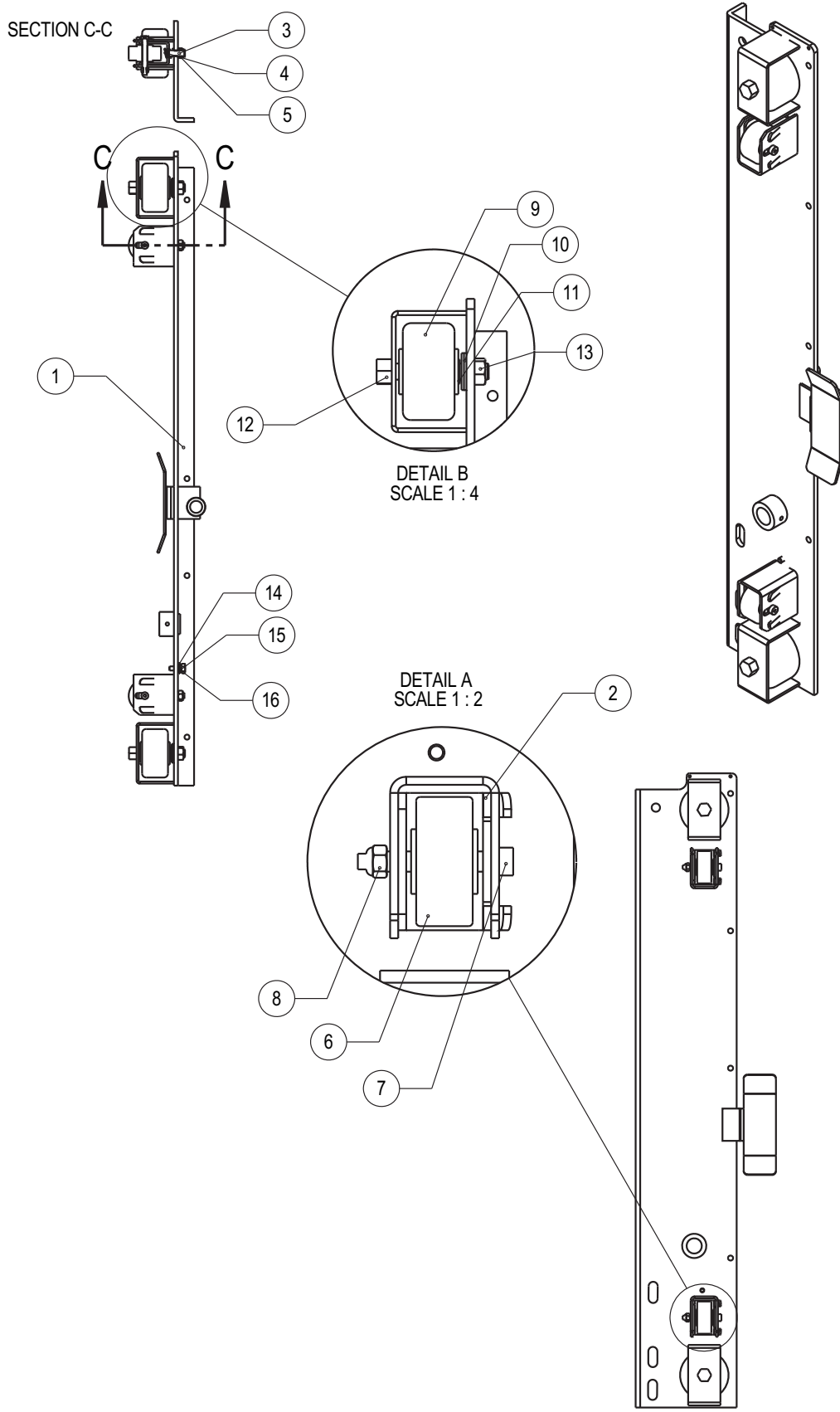
Item	Part number	Description
1	242922	SKATE_V-1504 LH W/A
2	V01-0213	SPRT_WHEEL 2" V-1504 & TELECAB
3	103545	SCRW_SET 3/8-16x1.00 DOG POINT
4	MA2AADBC	SPNG_1/2" X 3/4L
5	102186	NUT_HEX 3/8-16
6	V01-0230	WHEEL_2" DELRIN SKATE V-1504
7	MA2AJ	BOLT_SHLDR 5/16 X 1 3/4 STRIP
8	101930	NUT_HEX 1/4-20 NYLOK
9	MA2AB	WHEEL_3" PHENLC W/BRNG 3-3-319
10	102189	WSHR_FLT 1/2 USS
11	243347	BSHG_WHEEL GUIDE
12	105314	HHCS_1/2-13 x 3 GR5 ZINC
13	105315-Y	NUT_HEX 1/2-13 JAM NYLK YLW ZN
14	101196	WSHR_FLT 1/4 USS
15	101213	WSHR_LCK 1/4 MED SPLT ZNC
16	101836	HHCS_1/4-20 x 3/4

Skate safety assembly, LH - 320686



Item	Part number	Description
1	V01-0202	ROD_ATTACHMENT
2	V01-0203	GUIDE_SPRING
3	104487	WSHR_FLT 1/2 SMALLOD S/S
4	105610	BSHG_3/4 X 2 X 1/2
5	105611	SPNG_COMP SKATE 5" X 1"
6	105283-Y	NUT_FLANGE 3/8-16 YLW ZINC
7	102186	NUT_HEX 3/8-16
8	V01-0204	BLOCK_ADJUSTING SKATE
9	V01-0206	ACTUATOR_LIMIT
10	V01-0208	PIVOT_PLATE YELLOW ZINC
11	103558	PIN_CLEVIS 1/4x1.0"
12	101210	WSHR_FLT #10 ZINC
13	103660	CLIP_HITCH PIN 1/4-1/2SD 1/16W

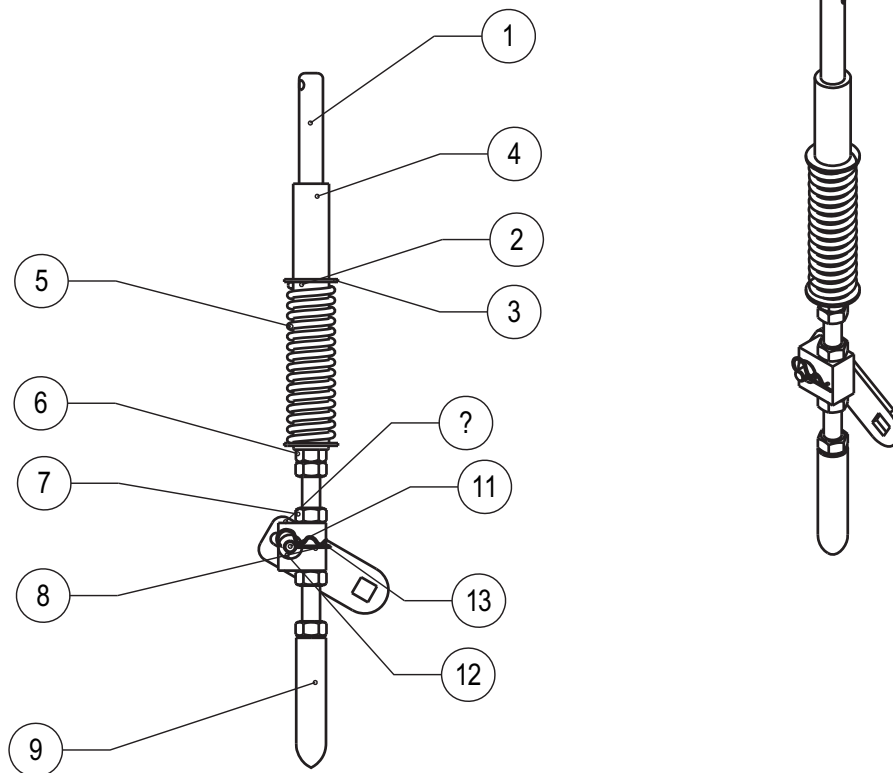
Skate wheel assembly, RH - 320687



Skate wheel assembly, RH - 320687

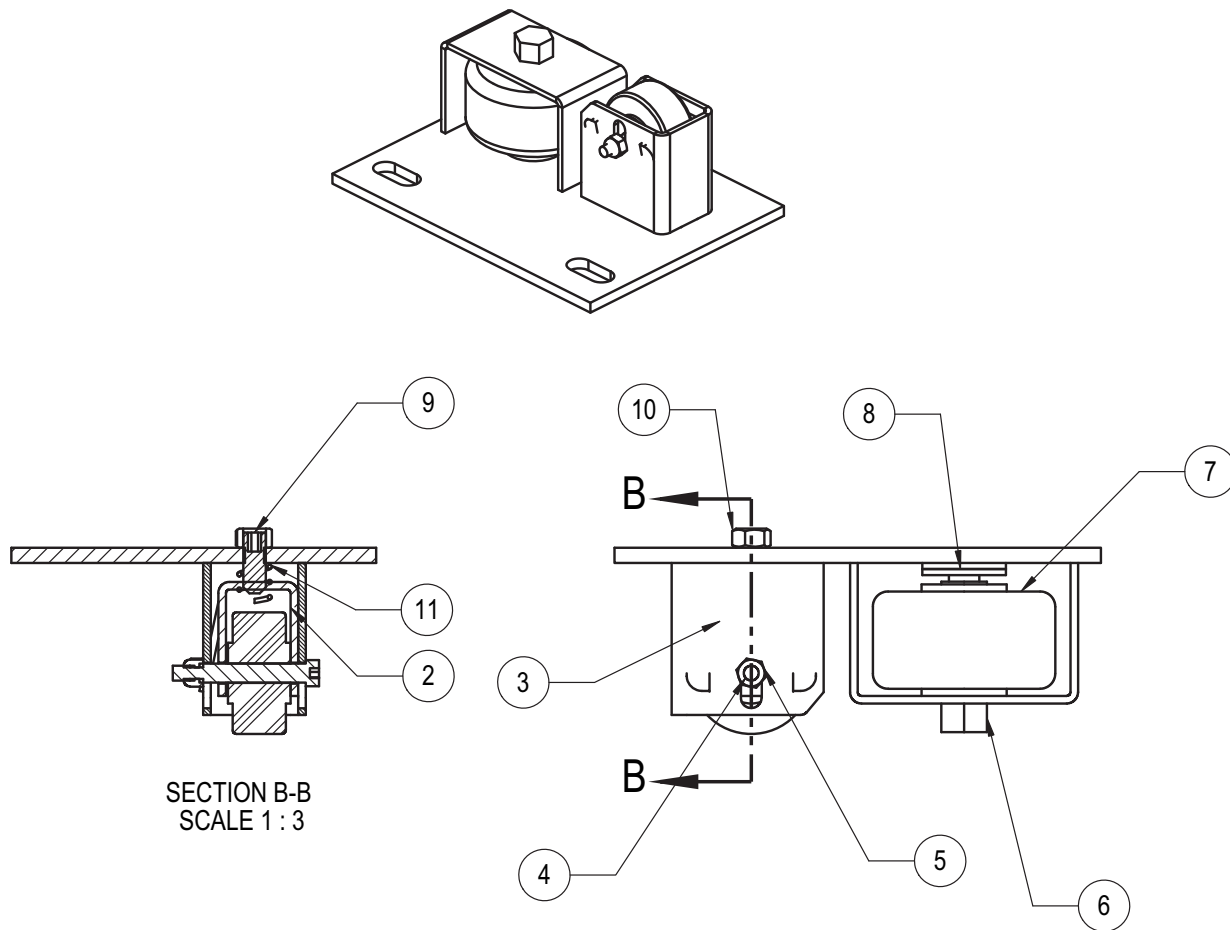
Item	Part number	Description
1	242925	SKATE_V-1504 RH W/A
2	V01-0213	SPRT_WHEEL 2" V-1504 & TELECAB
3	103545	SCRW_SET 3/8-16x1.00 DOG POINT
4	MA2AADBC	SPNG_1/2" X 3/4L
5	102186	NUT_HEX 3/8-16
6	V01-0230	WHEEL_2" DELRIN SKATE V-1504
7	MA2AJ	BOLT_SHLDR 5/16 X 1 3/4 STRIP
8	101930	NUT_HEX 1/4-20 NYLOK
9	MA2AB	WHEEL_3" PHENLC W/BRNG 3-3-319
10	102189	WSHR_FLT 1/2 USS
11	243347	BSHG_WHEEL GUIDE
12	105314	HHCS_1/2-13 x 3 GR5 ZINC
13	105315-Y	NUT_HEX 1/2-13 JAM NYLK YLW ZN
14	101196	WSHR_FLT 1/4 USS
15	101213	WSHR_LCK 1/4 MED SPLT ZNC
16	101836	HHCS_1/4-20 x 3/4

Skate safety assembly, RH - 320685



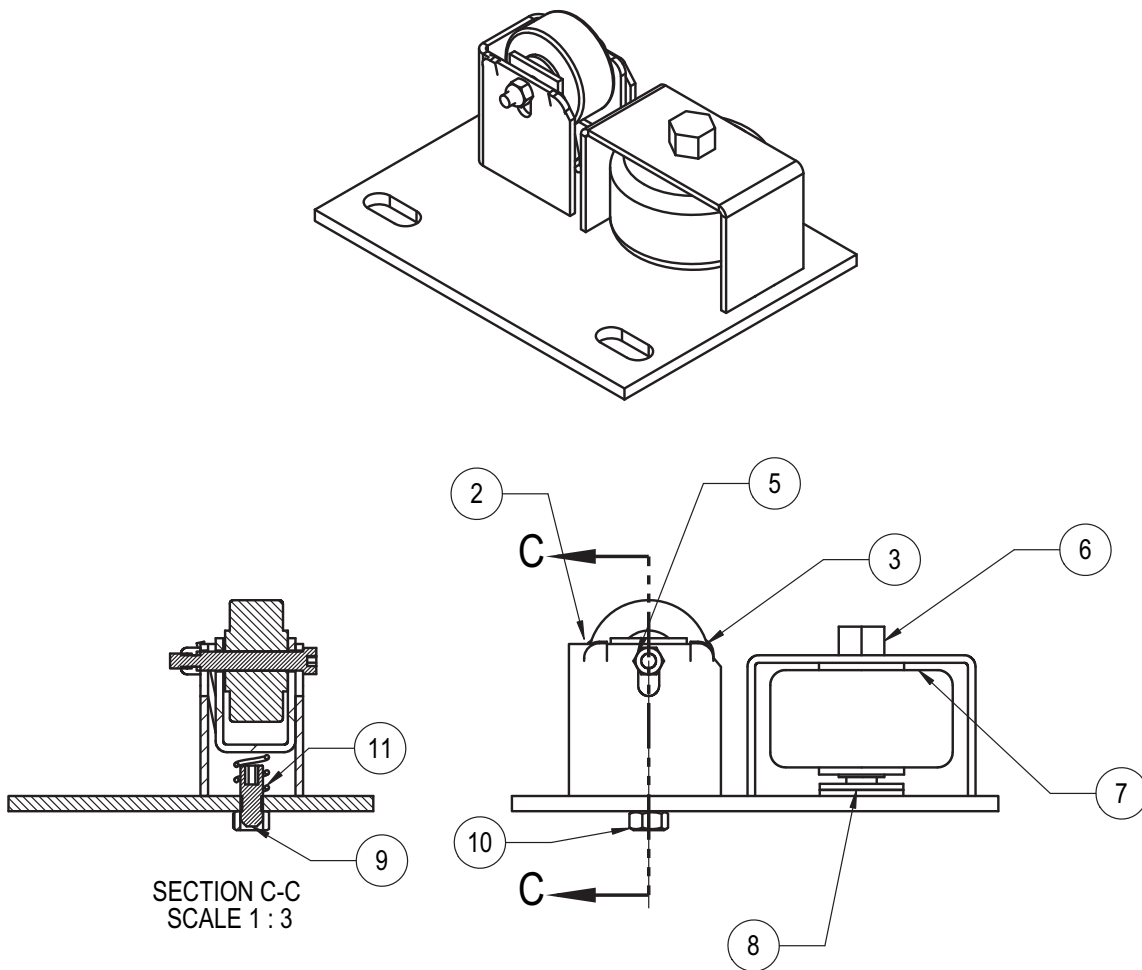
Item	Part number	Description
1	V01-0202	ROD_ATTACHMENT
2	V01-0203	GUIDE_SPRING
3	104487	WSHR_FLT 1/2 SMALLOD S/S
4	105610	BSHG_3/4 X 2 X 1/2
5	105611	SPNG_COMP SKATE 5" X 1"
6	105283-Y	NUT_FLANGE 3/8-16 YLW ZINC
7	102186	NUT_HEX 3/8-16
8	V01-0204	BLOCK_ADJUSTING SKATE
9	V01-0206	ACTUATOR_LIMIT
10	V01-0208	PIVOT_PLATE YELLOW ZINC
11	103558	PIN_CLEVIS 1/4x1.0"
12	101210	WSHR_FLT #10 ZINC
13	103660	CLIP_HITCH PIN 1/4-1/2SD 1/16W

Skate assembly (small), RH - 244254

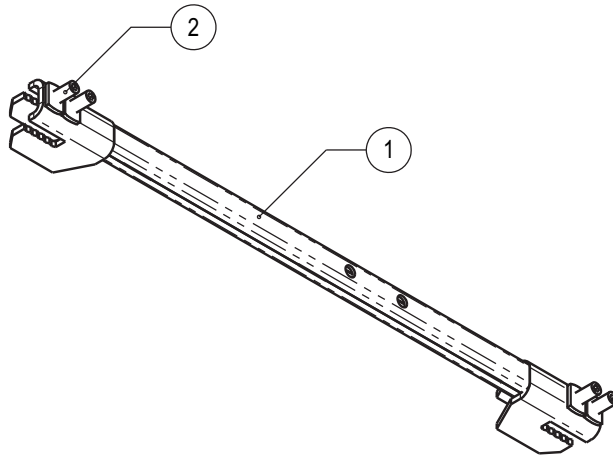


Item	Part number	Description
1	TAC12-110	SKATE_SMALL RH TELECAB
2	V01-0213	SPRT_WHEEL 2"
3	V01-0230	WHEEL_2" DELRIN SKATE
4	MA2AJ	BOLT_SHLDR 5/16 X 1 3/4 STRIP
5	101930	NUT_M6-1.0
6	102974-Y	HHCS_1/2-13 X2 1/2 GR5 YLW ZNC
7	MA2AB	WHEEL_3" PHENLC W/BRNG 3-3-319
8	102189	WSHR_FLT 1/2 USS
9	103545	SCRW_SET 3/8-16x1.00 DOG POINT
10	102186	NUT_HEX 3/8-16
11	MA2AADBC	SPNG_1/2" X 3/4L

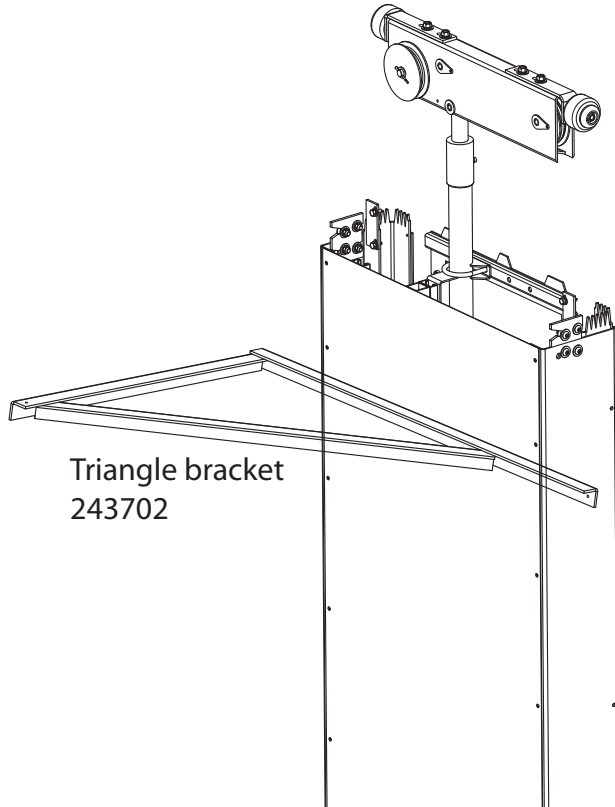
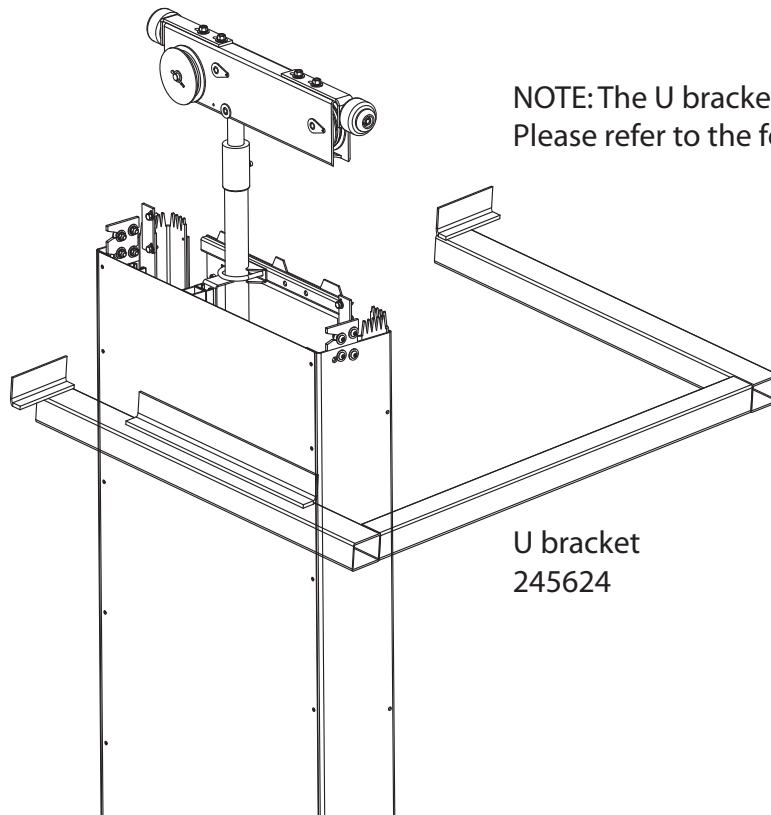
Skate assembly (small), LH - 2442545



Item	Part number	Description
1	TAC12-210	SKATE_SMALL LH TELECAB
2	V01-0213	SPRT_WHEEL 2"
3	V01-0230	WHEEL_2" DELRIN SKATE
4	MA2AJ	BOLT_SHLDR 5/16 X 1 3/4 STRIP
5	101930	NUT_M6-1.0
6	102974-Y	HHCS_1/2-13 X2 1/2 GR5 YLW ZNC
7	MA2AB	WHEEL_3" PHENLC W/BRNG 3-3-319
8	102189	WSHR_FLT 1/2 USS
9	103545	SCRW_SET 3/8-16x1.00 DOG POINT
10	102186	NUT_HEX 3/8-16
11	MA2AADBC	SPNG_1/2" X 3/4L

Final stopper assembly - 320659

Item	Part number	Description
1	242930	STOP_CYL ADJUST ASSY V-1504
2	109021	SCRW_SET 1/2-13 X 1.25 BLK OXD

Triangle bracket (to secure unanchored tower to wall) - 243702**U bracket (to secure unanchored tower to wall) - 245624**

Triangle or U-bracket H/W kit - 320727

Part number	Description
102188-Y	WSHR_FLT 3/8 USS YLW ZINC
102191-Y	WSHR_LCK 3/8 YLW ZINC
102201-Y	HHCS_3/8-16 x 1 1/4 YLW ZINC
102186	NUT_HEX 3/8-16
105418-Y	SCRW_SM PHR #8X3/4 TEK YLW ZNC

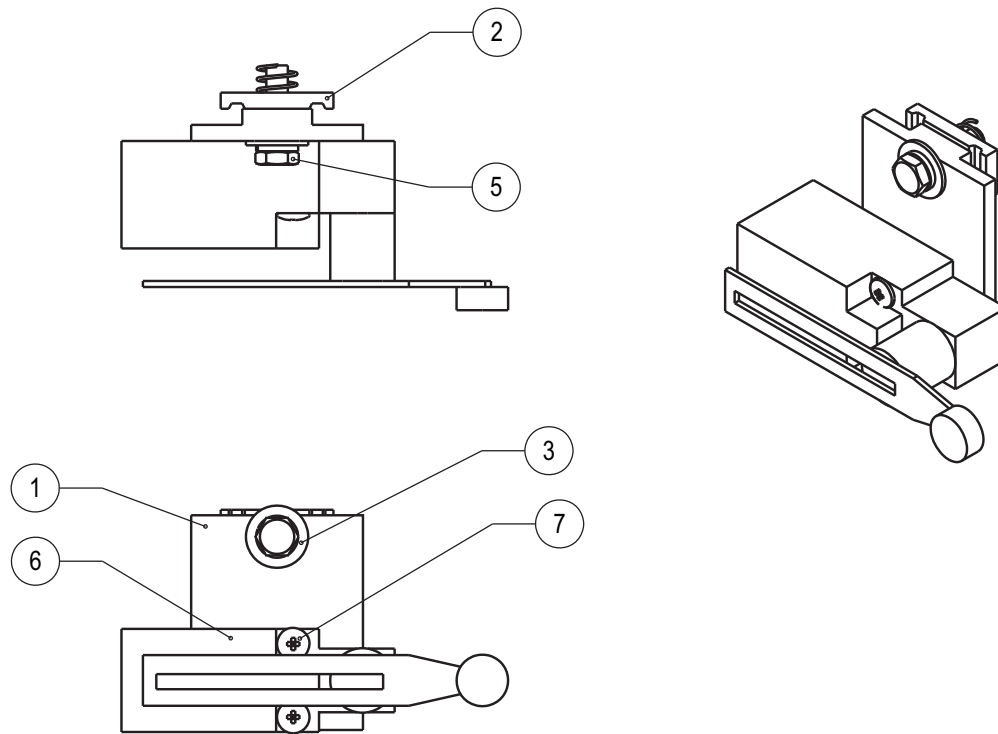
Limit switches


Part number	Description
320690	SW_LIMIT BLUE V-1504
320691	SW_LIMIT GREY V-1504
320617	SW_BTM V-1504
320618	SW_MDL V-1504
320619	SW_TOP V-1504

Limit switch harnesses/cables

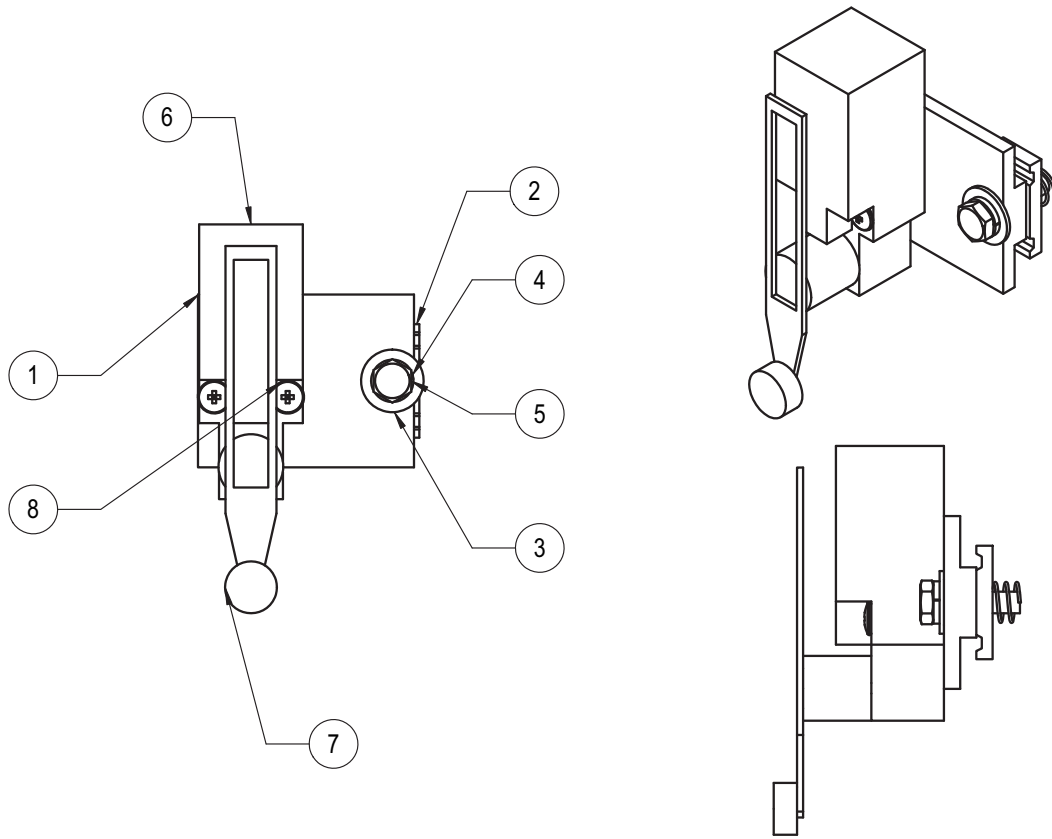
Part number	Description
243171	HRNS_V1504 NLU/FNL LMT BASE
243755	HRNS_V-1504 TOP LMT/FL +46
243757	HRNS_V-1504 TOP LMT/FL +94
243758	HRNS_V-1504 TOP LMT/FL +94+22
320768	CBL_20AWG 12 COND GREY JKT
243170	HRNS_V1504 TOP DZ/AC BASE
243759	HRNS_V-1504 TOP DZ/AC BASE +46
243761	HRNS_V-1504 TOP DZ/AC +94
243762	HRNS_V-1504 TOP DZ/AC +94+22
320760	CBL_18AWG 4 COND JKT

Limit switch, blue - 320690



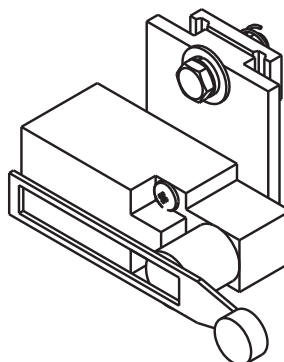
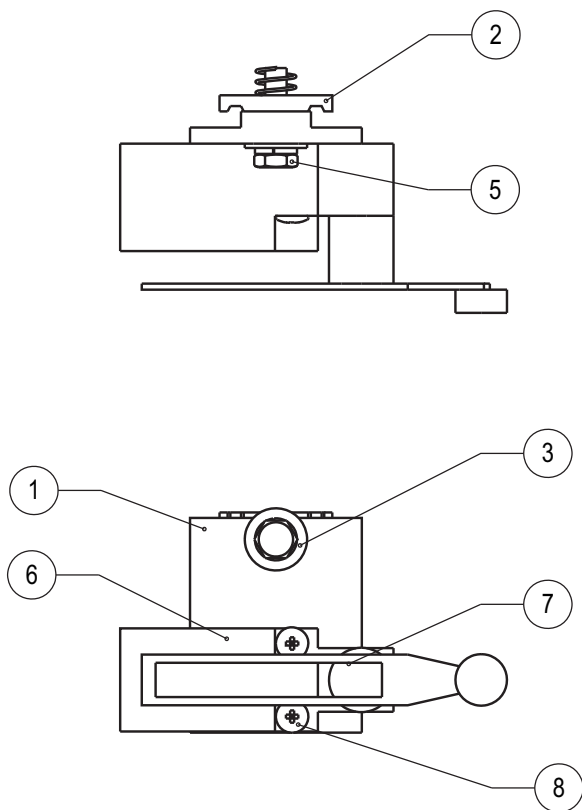
Item	Part number	Description	Photo
1	V01-1110	SPRT_LIMIT SW V-1504	
2	101097	NUT_SPNG STRUT LOCK 1/4-20	
3	101196-Y	WSHR_FLT 1/4 USS YLW ZINC HRD	
4	101213-Y	WSHR_LCK 1/4 YLW ZINC	
5	103398	HHCS_ 1/4-20 x 1 F/T	
6	105548	SW_LMT NO/NC W/RLR ARM	
7	105608	MS_PHP 10-24 X 1	
8	105298	CON_SEAL TWR CC-NPT-12-B	


Limit switch, NC/NC - 323007



Item	Part number	Description
1	V01-1110	SPRT_LIMIT SW V-1504
2	101097	NUT_SPNG STRUT LOCK 1/4-20
3	101196-Y	WSHR_FLT 1/4 USS YLW ZINC HRD
4	101213-Y	WSHR_LCK 1/4 YLW ZINC
5	103398	HHCS_1/4-20 x 1 F/T
6	106828	SW_LMT NC/NC W/RLR ARM
7	105608	MS_PHP 10-24 X 1

Limit switch, grey - 320691



Item	Part number	Description	Photo
1	V01-1110	SPRT_LIMIT SW V-1504	
2	101097	NUT_SPNG STRUT LOCK 1/4-20	
3	101196-Y	WSHR_FLT 1/4 USS YLW ZINC HRD	
4	101213-Y	WSHR_LCK 1/4 YLW ZINC	
5	103398	HHCS_1/4-20 x 1 F/T	
6	106471	SW_LMT NO/NO W/RLR ARM	
7	105608	MS_PHP 10-24 X 1	
8	105298	CON_SEAL TWR CC-NPT-12-B	

Controller assembly



Controller assemblies

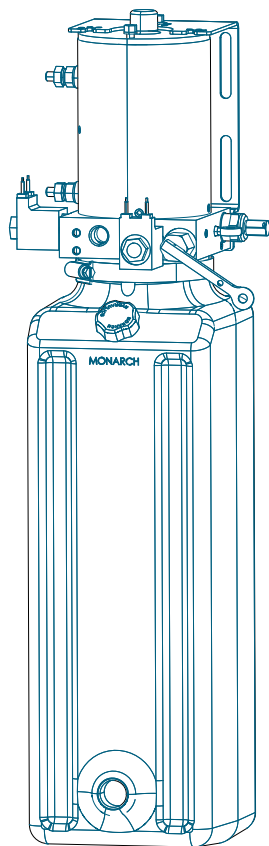
Part number	Description
324712	CNTRLR_V-1504 24V/110V (CURRENT)
323711-L	CNTRLR_V-1504 110V, LIGHT (2014)
323712-L	CNTRLR_V-1504 24V, LIGHT (2014)
323008-L	CNTRLR_V-1504 110V, LIGHT (2014)
323009-L	CNTRLR_V-1504 24V, LIGHT (2014)

Controller attachment kit - 320710

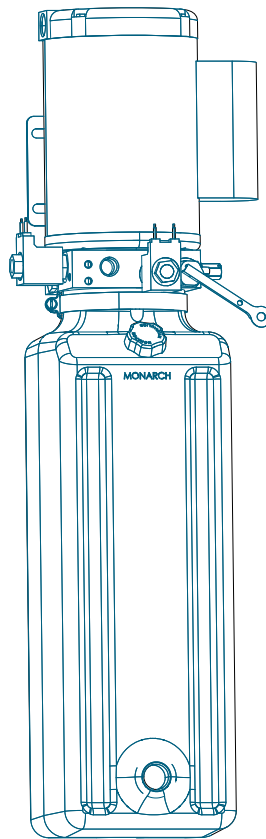
Part number	Description
105491	NUT_HEX 10-24 NYLOK JAM
101210	WSHR_FLT #10 ZINC
245496	HRNS_V1504 CNTRL BOX GROUND
105544	STRN_RLF CON .114-.250" .492"D
243162	HRNS_V1504 ALARM
631071	WIRE_JOINT LARGE (TYCO 35653)
105353	CON_CABLE 1/2" PLASTIC

Hydraulics

Pump assemblies

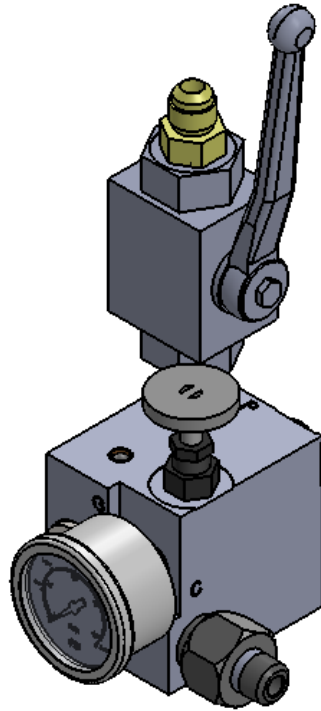
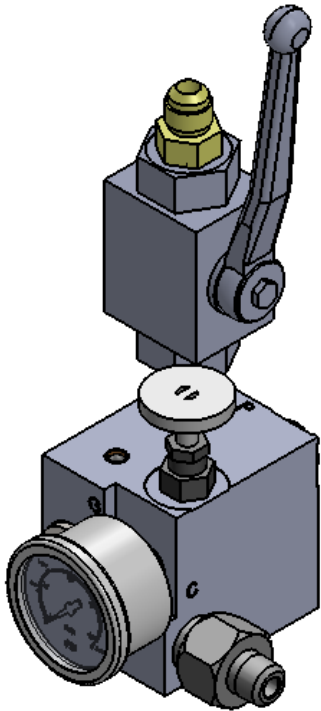


24V PUMP
109322
109323



110/220V PUMP
109124
109125

Part number	Description
109322	PUMP_24V 2" ID 16.5 FPM
109323	PUMP_24V 1.5" ID 16.5 FPM
109124	PUMP_110\220V 2" ID 18FPM
109125	PUMP_110\220V 1.5"ID 18FPM
ZVH10-D24	VALVE_COMPLETE DOWN, 24V
ZVH10-U24	VALVE_COMPLETE UP, 24V

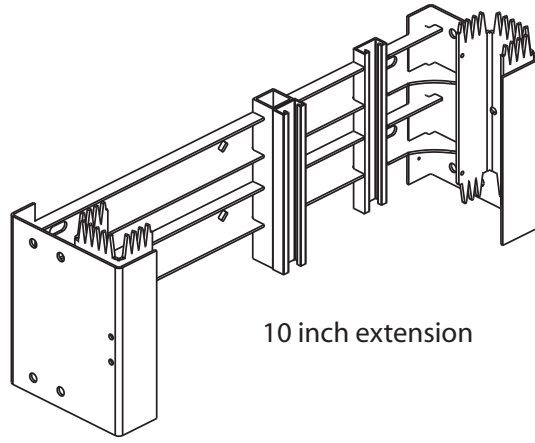
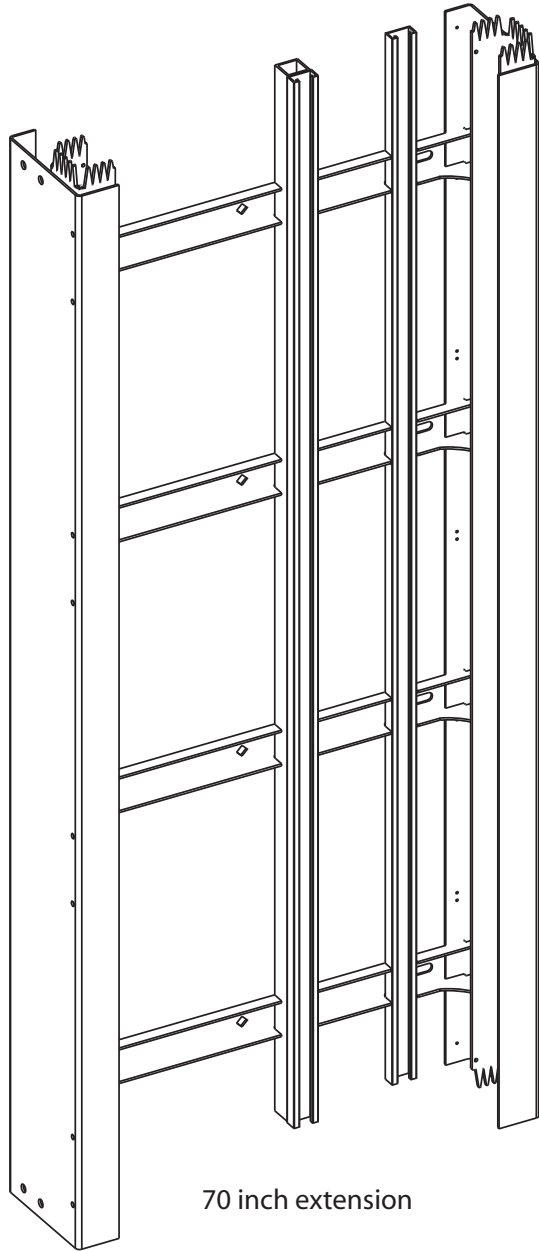
Manifold assembly 2" piston, 18 fpm - 109328**Manifold assembly 1.5" piston, 16 fpm - 109329**

Hydraulic items

Part number	Description	Photo
109140	FUSE_VELOCITY 2.25 GPM (PIPE RUPTURE VALVE)	
109141	FUSE_VELOCITY 1.19 GPM (PIPE RUPTURE VALVE)	
320260	HOSE_ASSY MANIFOLD GH781-4	
320260-O	HOSE_ASSY MANIFOLD GH781-4	
320695	PIPE_HARD V-1504	
104914	CON_MALE-MALE 1/4" NPT	
105333	HOSE_END #4 HOSE 1/4" NPT	
105334	HOSE_GH781-4 AEROQUIP	
105336	HOSE_END #4 HOSE JIC #6 SWIV	

Part number	Description	Photo
104858	ELBOW_1/4 NPT FEMALE/MALE	
106431	FITTINGS_ELBOW 90DEG 37 DEG	
105739	SW_NEG PRESSURE SWITCH V1504	
102231	ADPTR_1/4" NPTX#6 2021-6S	
105559	ADPTR 1/4 FEM 3/8 MALE NPT	
105474	NUT_FLANGE 1/4-20	
243316	SCRW_THUMB 3/8-16 UNC DRILLED	
105547	CON_EMT 1/2" 1 ACRW CI71	
109177	TANK_11" LONG (232 CU IN)	
109178	BREATHER 3/4 NPT	
106669	CVR_PLASTIC SMALL 1 PC RED	
246941	HRNS_BLANKET HEATER 110V VPL	
246942	HRNS_BLANKET HEATER 220V VPL	

Tower extensions



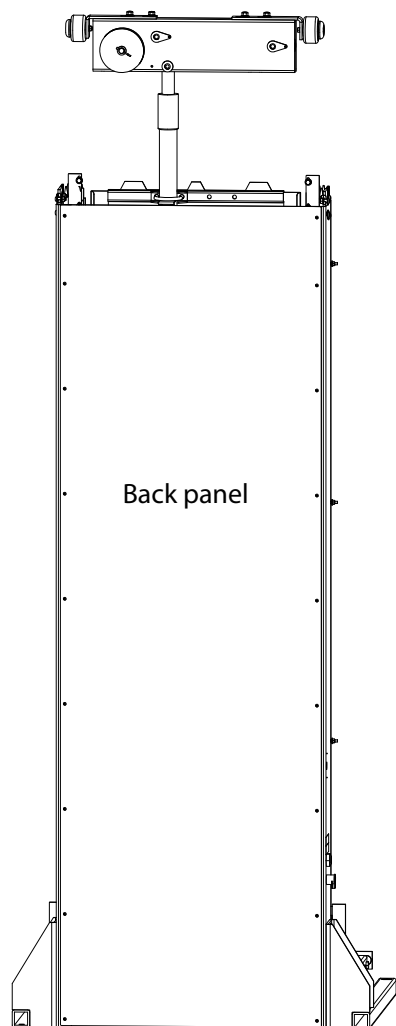
Tower extension assemblies

Part number	Description
323317	EXTN_TWR 5"
323317-Z	EXTN_TWR 5" ZINC (OUTDOOR)
242870	EXTN_TWR 10"
242870-Z	EXTN_TWR 10" ZINC (OUTDOOR)
242909	EXTN_TWR 22"
242909-Z	EXTN_TWR 22" ZINC (OUTDOOR)
320631	EXT_TWR 22" CNTRLR PLUS
242902	EXTN_TWR 46"
242902-Z	EXTN_TWR 46" ZINC (OUTDOOR)
242910	EXTN_TWR 70"
242910-Z	EXTN_TWR 70" ZINC (OUTDOOR)
242867	EXTN_TWR 94"
242867-Z	EXTN_TWR 94" ZINC (OUTDOOR)

Tower extension H/W kit - 243231

Part number	Description
100155	HHCS_1/4-20 x 1/2
101213	WSHR_LCK 1/4 MED SPLT ZNC
105354	SEAL_KNOCKOUT 7/8" PLASTIC
V0100076	PLAQUE SUPPORT DENT
V0100072	PLT_FIX TOWER
103443	WSHR_FLT 1/4 SMALLOD S/S
102199	HHCS_1/2-13 x 1 1/4
105315-Y	NUT_HEX 1/2-13 JAM NYLK YLW ZN
105689	WSHR_FLT 1.06OD X .595IDX80THK

Tower back panels



Back panel assemblies

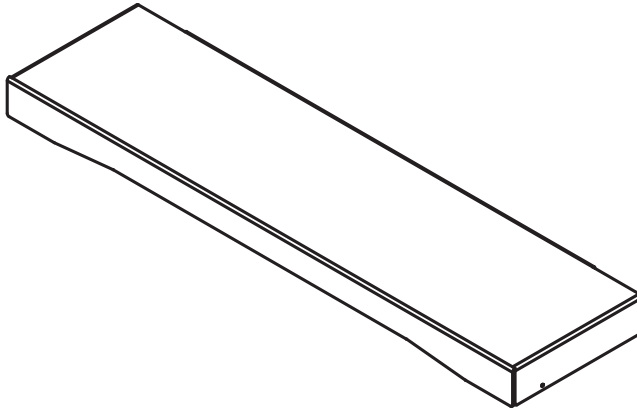
Part number	Description
320720	BACK PANEL, 10" EXTENSION
320721	BACK PANEL, 22" EXTENSION
320722	BACK PANEL, 46" EXTENSION
320723	BACK PANEL, 70" EXTENSION
320724	BACK PANEL, 94" EXTENSION
320725	BACK PANEL, BASE TOWER

Back panel H/W kit - 243240

Part number	Description
105582	SCRW_SLF DRILL 8-18 #2 DRV 3/4

Tower cap

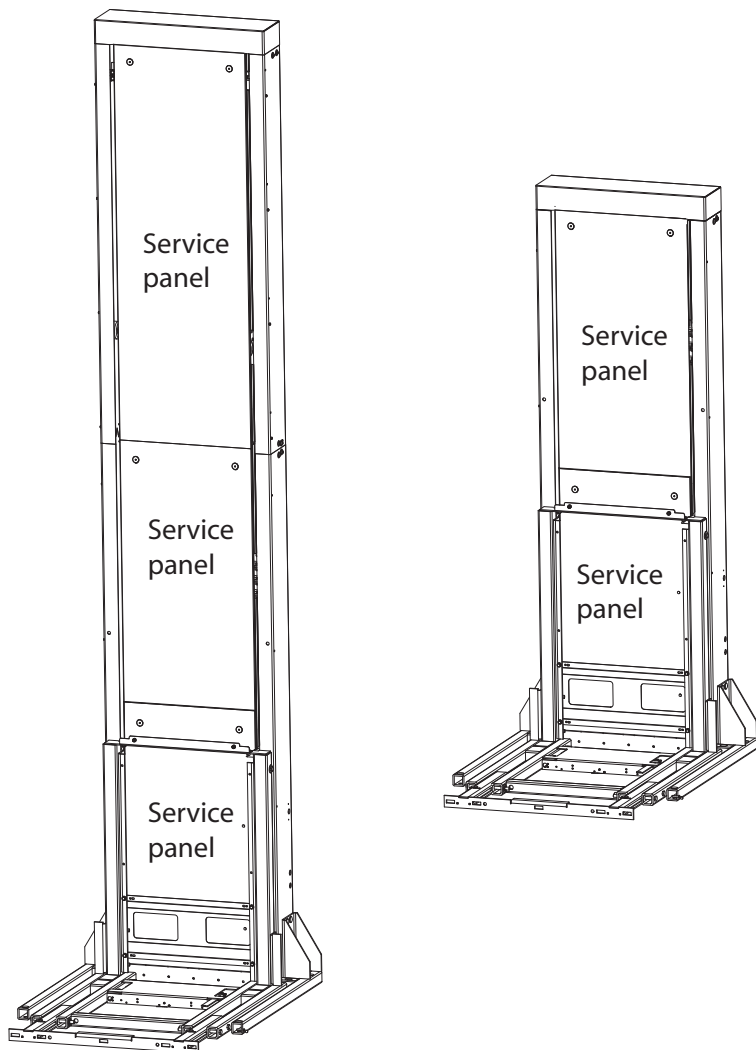
Tower cap - 323415-B



Tower cap H/W kit - 320702

Part number	Description
104403-Y	HHCS_3/8-16 X 3/4 YLW ZNC GR5
102188-Y	WSHR_FLT 3/8 USS YLW ZINC
102191-Y	WSHR_LCK 3/8 YLW ZINC
102186	NUT_HEX 3/8-16

Tower service panels



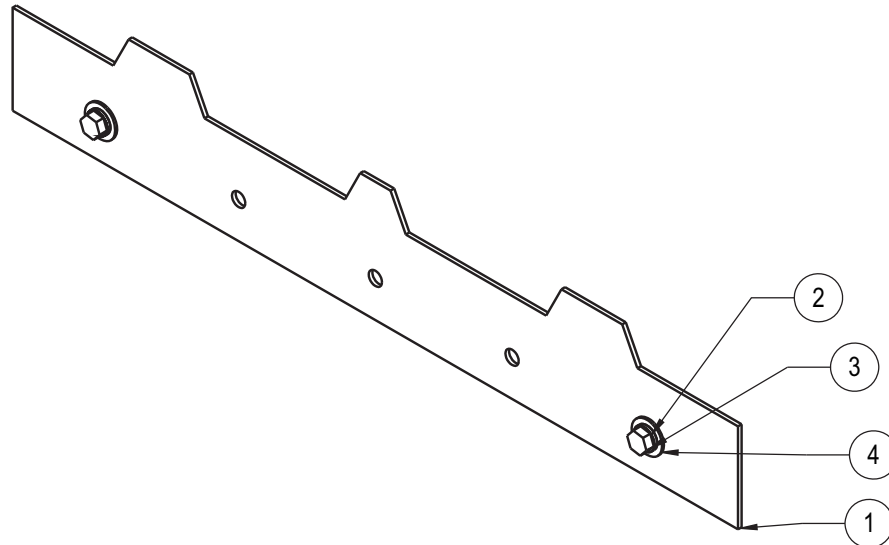
Service panels

Part number	Description
323360	SERVICE PANEL, 5" ASSY
323346-T	SERVICE PANEL, 5"
242805	SERVICE PANEL, 10" ASSY
242802	SERVICE PANEL, 22"
242801	SERVICE PANEL, 46"
242973	SERVICE PANEL, 48"
242800	SERVICE PANEL, 70"
242799	SERVICE PANEL, 94"

Service panel H/W kit - 320703

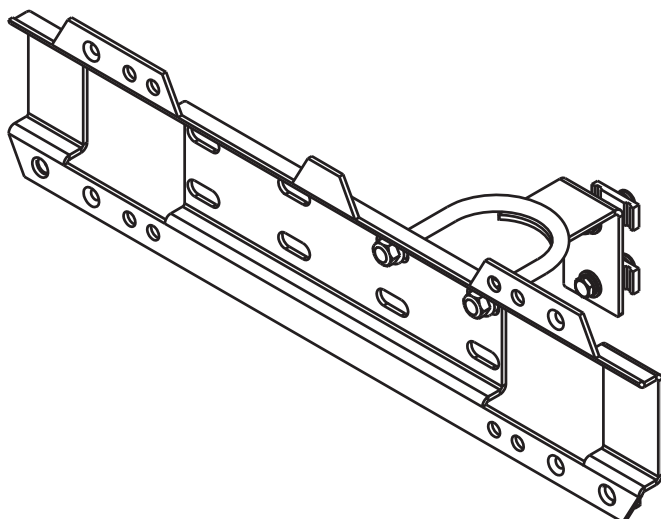
Part number	Description
104660	BOLT_PLTFM SPECIAL S/S

Pit channel service panel mounting bracket - 320774



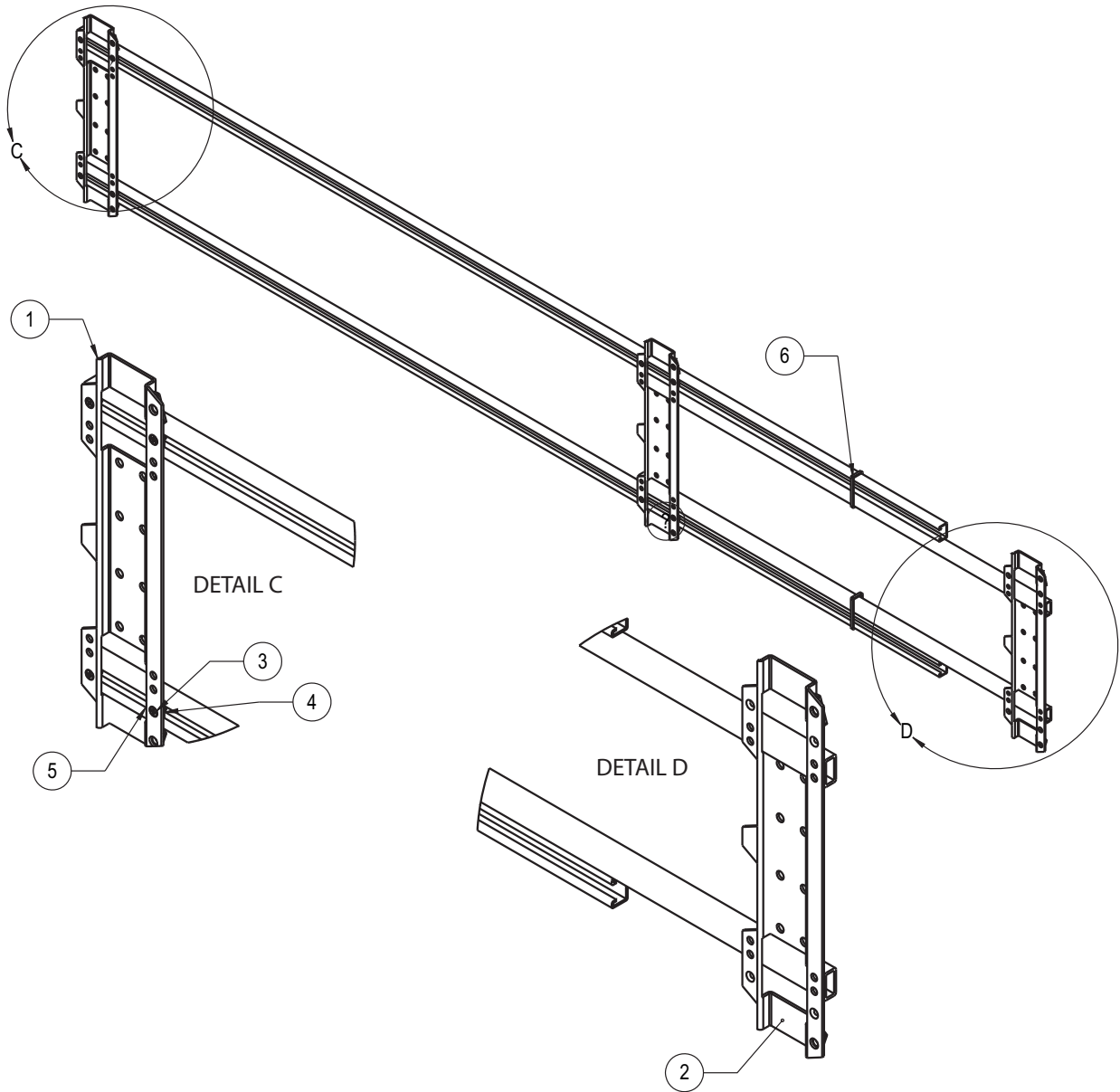
Item	Part number	Description
1	242797	PNL_SRV MNT PIT CHANNEL V-1504
2	102188-Y	WSHR_FLT 3/8 USS YLW ZINC
3	102191-Y	WSHR_LCK 3/8 YLW ZINC
4	104403-Y	HHCS_3/8-16 X 3/4 YLW ZNC GR5

Service panel mounting bracket and clamp assemblies



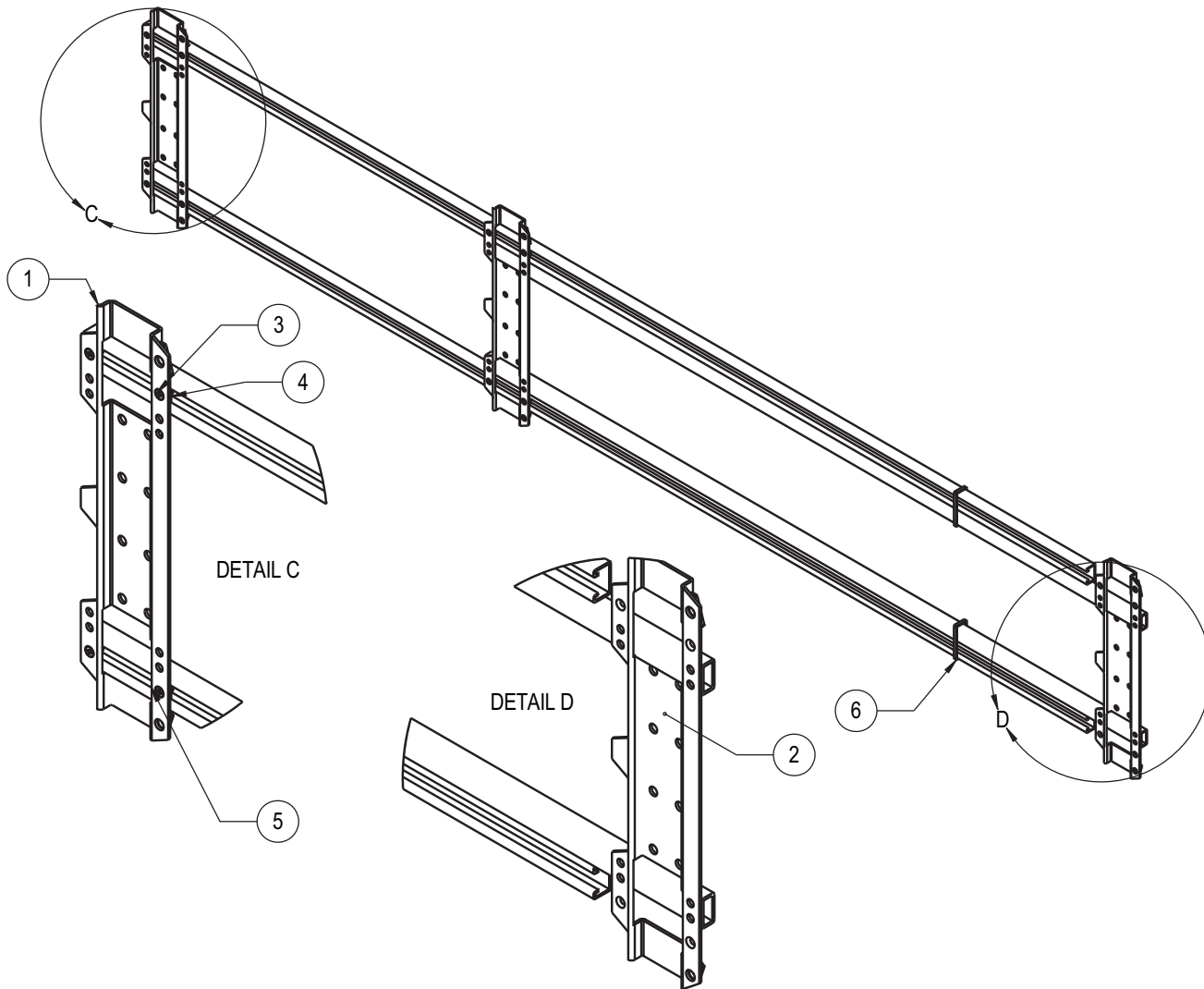
Part number	Description
320766	TOP SERVICE PANEL MOUNTING BRACKET CLAMP ASSY
320681	SERVICE PANEL MOUNTING BRACKET CLAMP ASSY, 2" (FOR BLACK CYLINDER)
320683	SERVICE PANEL MOUNTING BRACKET CLAMP ASSY, 2.5" (FOR BLACK CYLINDER)
320681-T	SERVICE PANEL MOUNTING BRACKET CLAMP ASSY, 2.125" (FOR GREY CYLINDER)
320683-H	SERVICE PANEL MOUNTING BRACKET CLAMP ASSY, 2.625" (FOR GREY CYLINDER)

Service panel mounting extension 46" - 320756



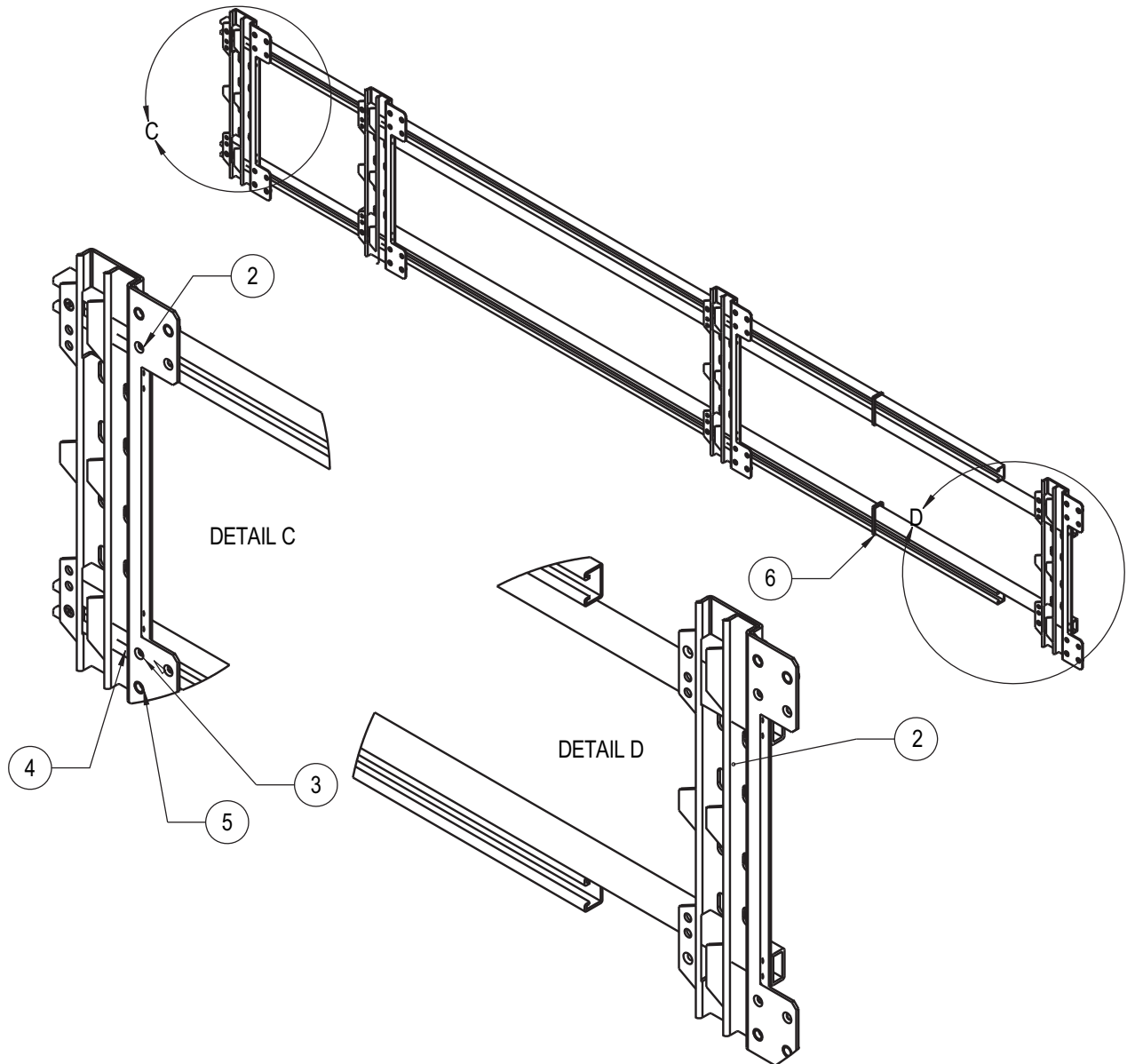
Item	Part number	Description
1	242811	BRKT_MNTG PNL V-1504
2	242812	PNL_MNTG 46" EXT ASSY V-1504
3	100086	MS_FHP 1/4-20 x 3/4
4	101097	NUT_SPNG STRUT LOCK 1/4-20
5	320749	UNISTRUT_SRV PNL SPRT V1504
6	106383	TIE_WIRE 15" X 4 DIA. 120TNSL

Service panel mounting extension 70" - 320757



Item	Part number	Description
1	242811	BRKT_MNTG PNL V-1504
2	242815	PNL_MNTG 70" EXT ASSY V-1504
3	100086	MS_FHP 1/4-20 x 3/4
4	101097	NUT_SPNG STRUT LOCK 1/4-20
5	320749	UNISTRUT_SRV PNL SPRT V1504
6	106383	TIE_WIRE 15" X 4 DIA. 120TNSL

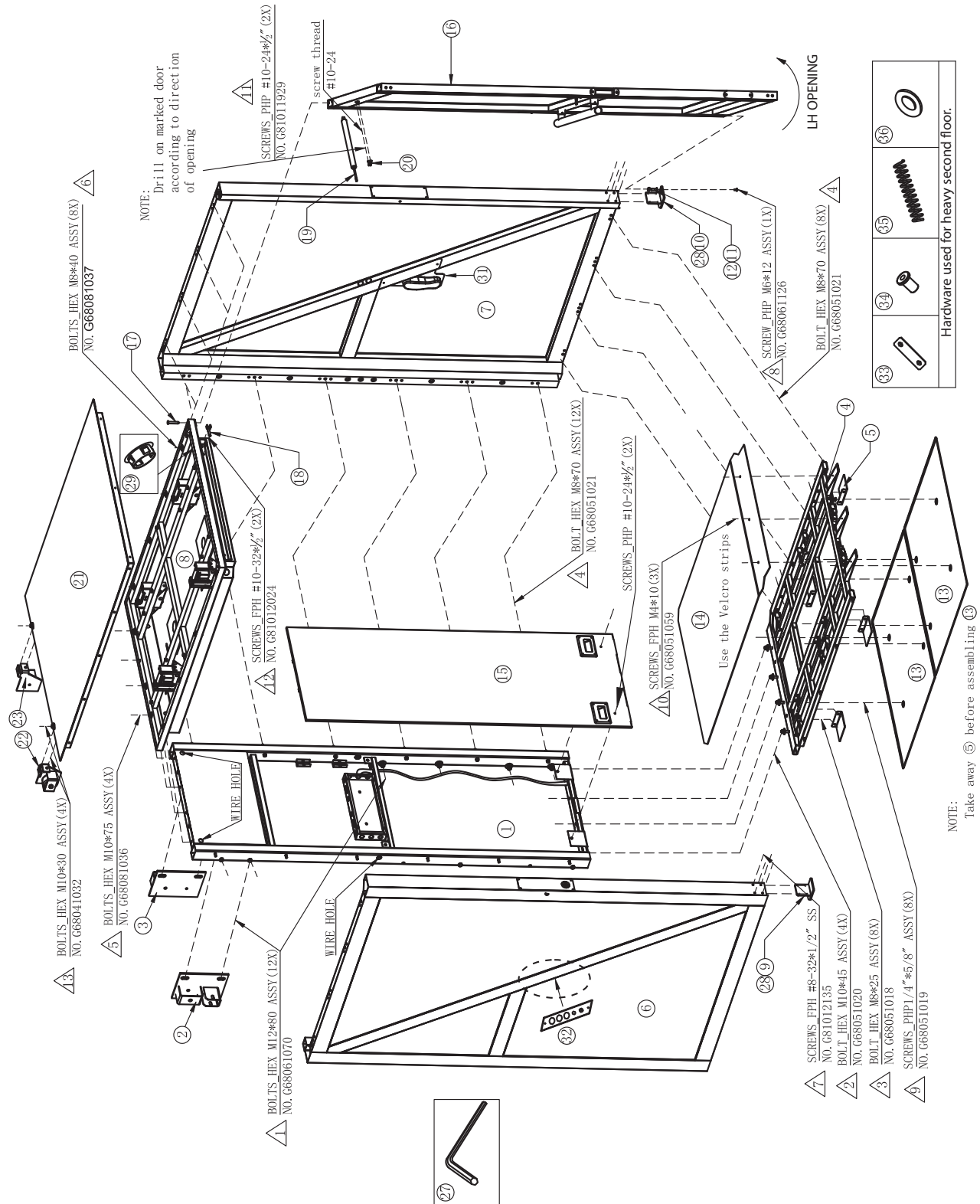
Service panel mounting extension 94" - 320648



Item	Part number	Description
1	242811	BRKT_MNTG PNL V-1504
2	320646	PNL_MNTG 94" EXT ASSY V-1504
3	100086	MS_FHP 1/4-20 x 3/4
4	101097	NUT_SPNG STRUT LOCK 1/4-20
5	320749	UNISTRUT_SRV PNL SPRT V1504
6	106383	TIE_WIRE 15" X 4 DIA. 120TNSL

Cab assembly

Cab assembly (36 x 54), G68111001 (LH opening shown)



Cab assembly (36 x 54), G68111001

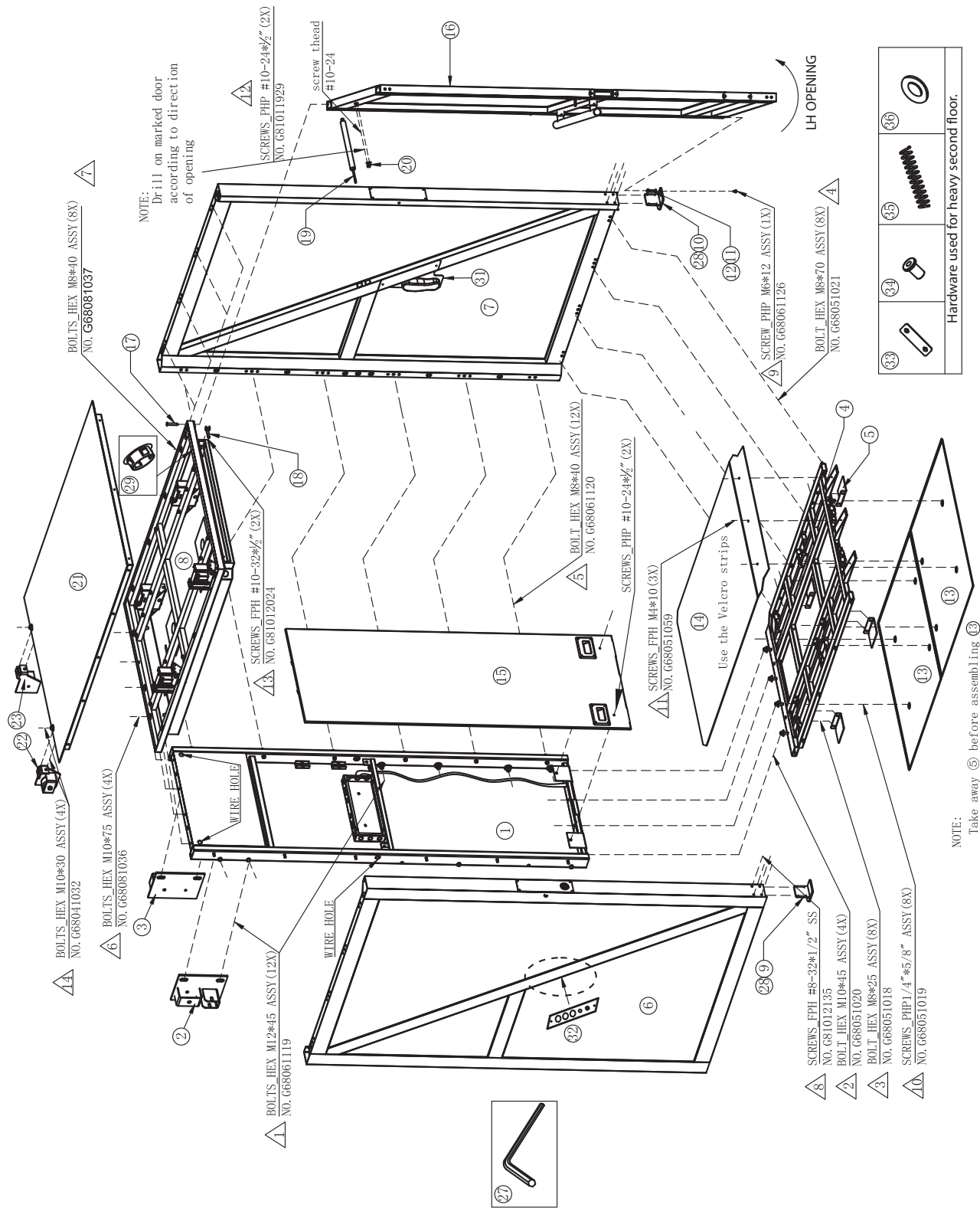
Item	Part number	Description
1	G68061058	BACK WALL (36X54)
2	244254-W	SMALL SKATE RH
3	244255-W	SMALL SKATE LH
4	G68051001	PLATFORM ASSEMBLY (36X54)
5	G68051030	SIDE WALL SUPPORTS
6	G68061001	SIDE WALL LH (36X54)
7	G68061038	SIDE WALL RH (36X54)
8	G68081001	CAR ROOF ASSEMBLY (36X54)
9	G68061034	DOOR PLATE (NO HINGE PIN HOLE)
10	G68061055	DOOR PLATE (WITH HINGE PIN HOLE) - FOR LH OPENING
11	G68061057	DOOR HINGE PIN, BOTTOM
12	301752	BEARING 1500
13	G68051053	UNDERPAN_ALUM (36X54)
14	G68051017	FLOOR PLATE (36X54)
15	G68061067	SERVICE DOOR
16	G68131001	DOOR (36X54)
17	G68131035	DOOR HINGE PIN, TOP
18	G68131039	CLOSER BRACKET
19	100922	CLOSER
20	G68131038	CLOSER SUPPORT
21	G68041001	FLOOR PLUG (36X54)
22	G68041018	GUIDE BRACKET LH
23	G68041015	GUIDE BRACKET RH
24	G63050447	VELCRO
25	G62022049	P/N-MOLEX 43030
26	G62022053	P/N-MOLEX 43025-1400
27	G64010490	HEX SPANNER
28	G68061121	SHIM PLATE
29	G62022047	HOLE PLUG
30	G68061122	DOOR PLATE (WITH HINGE PIN HOLE) - FOR RH OPENING
31	G68061052-R G68061052-L	PHONE BRACKET RH - FOR LH OPENING PHONE BRACKET LH - FOR RH OPENING

Item	Part number	Description
32	G68061029-L G68061029-R	COP BRACKET LH - FOR LH OPENING COP BRACKET RH - FOR RH OPENING
33	G68081056	BUTTON BRACKET (HEAVY)
34	G68081057	THREADED BARREL
35	G68081059	MECHANICAL SPRING
36	G61011862	WASHER_FLAT 10 LARGE
37	244274-17	PLATE, FLOOR CUTOUT, SIDE UP MIDDLE THICK (36X54)
38	244275-17	PLATE, FLOOR CUTOUT, FRONT UP MIDDLE THICK (36X54)
39	244265-R-17	PLATE, FLOOR CUTOUT, BOTTOM RH (36X54)
40	244265-L-17	PLATE, FLOOR CUTOUT, BOTTOM LH (36X54)
41	244266-17	PLATE, FLOOR CUTOUT, BOTTOM FRONT (36X54)

Cab assembly (36 x 54) hardware kits

Item	Part number	Description
[1]	G68061070	BOLTS_HEX M12X80 (QTY 12) WASHERS_FLAT 12 (QTY 24) WASHERS_LOCK 12 (QTY 12) NUTS_HEX NYLON M12 (QTY 12)
[2]	G68051020	BOLTS_HEX M10X45 (QTY 4) WASHERS_FLAT 10 (QTY 4) WASHERS_LOCK 10 (QTY 4) NUTS_HEX M10 (QTY 4)
[3]	G68051018	BOLTS_HEX M8X25 (QTY 8) WASHERS_FLAT 8 (QTY 8) WASHERS_LOCK 8 (QTY 8)
[4]	G68051021	BOLTS_HEX M8X70 (QTY 20) WASHERS_FLAT 8 (QTY 20) WASHERS_LOCK 8 (QTY 20)
[5]	G68081036	BOLTS_HEX M10X75 (QTY 4) WASHERS_FLAT LARGE 10 (QTY 4) WASHERS_LOCK 10 (QTY 4) NUTS_HEX M10 (QTY 4)
[6]	G68081037	BOLTS_HEX M8X40 (QTY 8) WASHERS_FLAT LARGE 8 (QTY 8) WASHERS_LOCK 8 (QTY 8)
[7]	G81012135	SCREWS_FPH #8-32 X 1/2" SS (QTY 8)
[8]	G68061126	SCREW_PHP M6X12 (QTY 1) WASHER_LOCK 6 (QTY 1)
[9]	G68051019	SCREWS_PHP 1/4" X 5/8" (QTY 8) WASHERS_FLAT LARGE 1/4" (QTY 8) WASHERS_LOCK 1/4" (QTY 8) BARREL BOLTS 1/4" (QTY 8)
[10]	G68051059	SCREWS_FPH M4X10 (QTY 3)
[11]	G81011929	SCREWS_PHP #10-24 X 1/2" (QTY 2)
[12]	G81012024	SCREWS_FHP #10-32 X 1/2" (QTY 2)
[13]	G68041032	BOLTS_HEX M10X30 (QTY 4) WASHERS_FLAT LARGE 10 (QTY 4) WASHERS_LOCK 10 (QTY 4) NUTS_HEX NYLON M10 (QTY 4)

Cab assembly (30 x 46), G68111002 (LH shown)



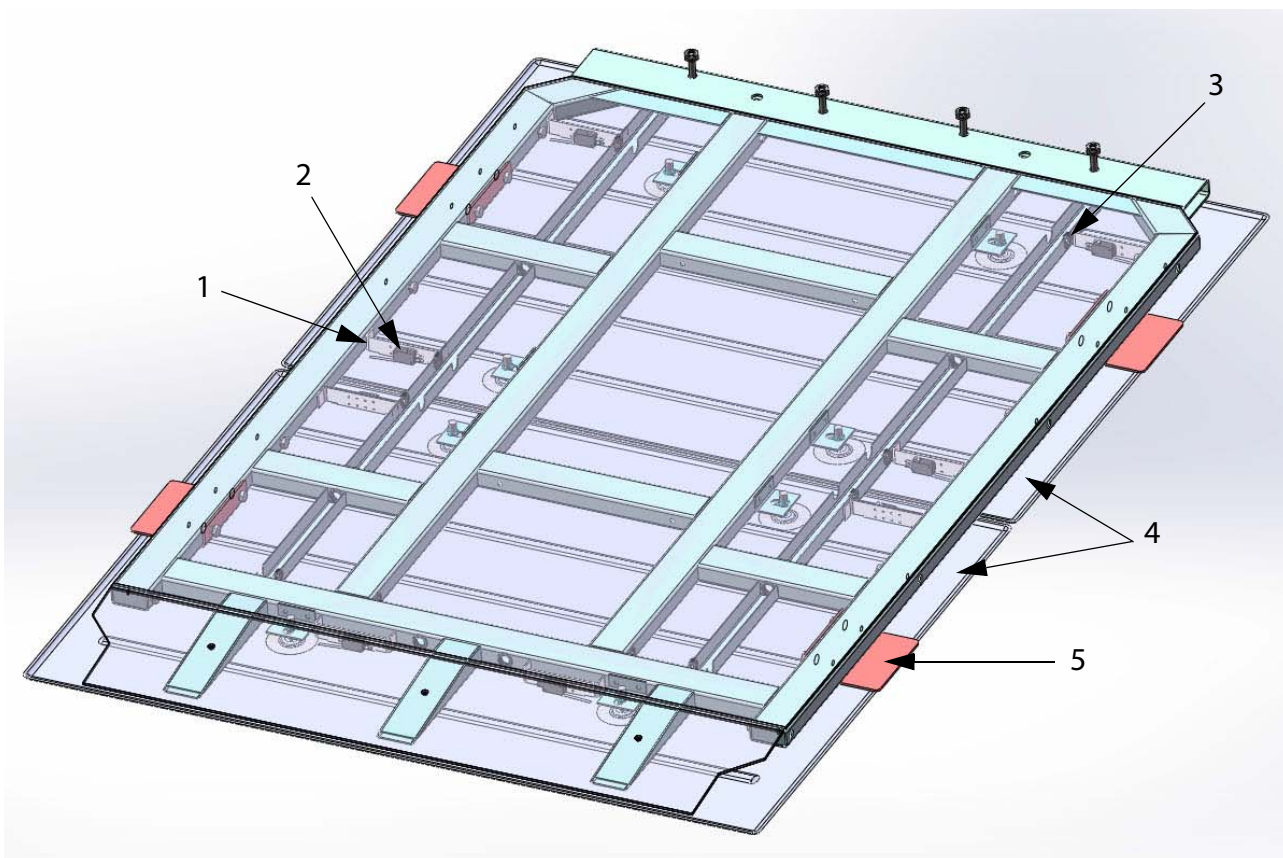
Cab assembly (30 x 46), G68111002

Item	Part number	Description
1	G68061116	BACK WALL (30X46)
2	244254-W	SMALL SKATE RH
3	244255-W	SMALL SKATE LH
4	G68051038	PLATFORM ASSEMBLY (30X46)
5	G68051030	SIDE WALL SUPPORTS
6	G68061079	SIDE WALL LH (30X46)
7	G68061102	SIDE WALL RH (30X46)
8	G68081038	CAR ROOF ASSEMBLY (30X46)
9	G68061034	DOOR PLATE (NO HINGE PIN HOLE)
10	G68061055	DOOR PLATE (WITH HINGE PIN HOLE) - FOR LH OPENING
11	G68061057	DOOR HINGE PIN, BOTTOM
12	301752	BEARING 1500
13	G68051056	UNDERPAN_ALUM (30X46)
14	G68051041	FLOOR PLATE (30X46)
15	G68061067	SERVICE DOOR
16	G68131041	DOOR (30X46)
17	G68131035	DOOR HINGE PIN, TOP
18	G68131039	CLOSER BRACKET
19	100922	CLOSER
20	G68131038	CLOSER SUPPORT
21	G68041021	FLOOR PLUG (30X46)
22	G68041018	GUIDE BRACKET LH
23	G68041015	GUIDE BRACKET RH
24	G63050447	VELCRO
25	G62022049	P/N-MOLEX 43030
26	G62022053	P/N-MOLEX 43025-1400
27	G64010490	HEX SPANNER
28	G68061121	SHIM PLATE
29	G62022047	HOLE PLUG
30	G68061122	DOOR PLATE (WITH HINGE PIN HOLE) - FOR RH OPENING
31	G68061115-R G68061115-L	PHONE BRACKET RH - FOR LH OPENING PHONE BRACKET LH - FOR RH OPENING

Item	Part number	Description
32	G68061101-L G68061101-R	COP BRACKET LH - FOR LH OPENING COP BRACKET RH - FOR RH OPENING
33	G68081056	BUTTON BRACKET (HEAVY)
34	G68081057	THREADED BARREL
35	G68081059	MECHANICAL SPRING
36	G61011862	WASHER_FLAT 10 LARGE
37	244274-17-2	PLATE, FLOOR CUTOUT, SIDE UP MIDDLE THICK (30X46)
38	244275-17-2	PLATE, FLOOR CUTOUT, FRONT UP MIDDLE THICK (30X46)
39	244265-R-17-2	PLATE, FLOOR CUTOUT, BOTTOM RH (30X46)
40	244265-L-17-2	PLATE, FLOOR CUTOUT, BOTTOM LH (30X46)
41	244266-17-2	PLATE, FLOOR CUTOUT, BOTTOM FRONT (30X46)

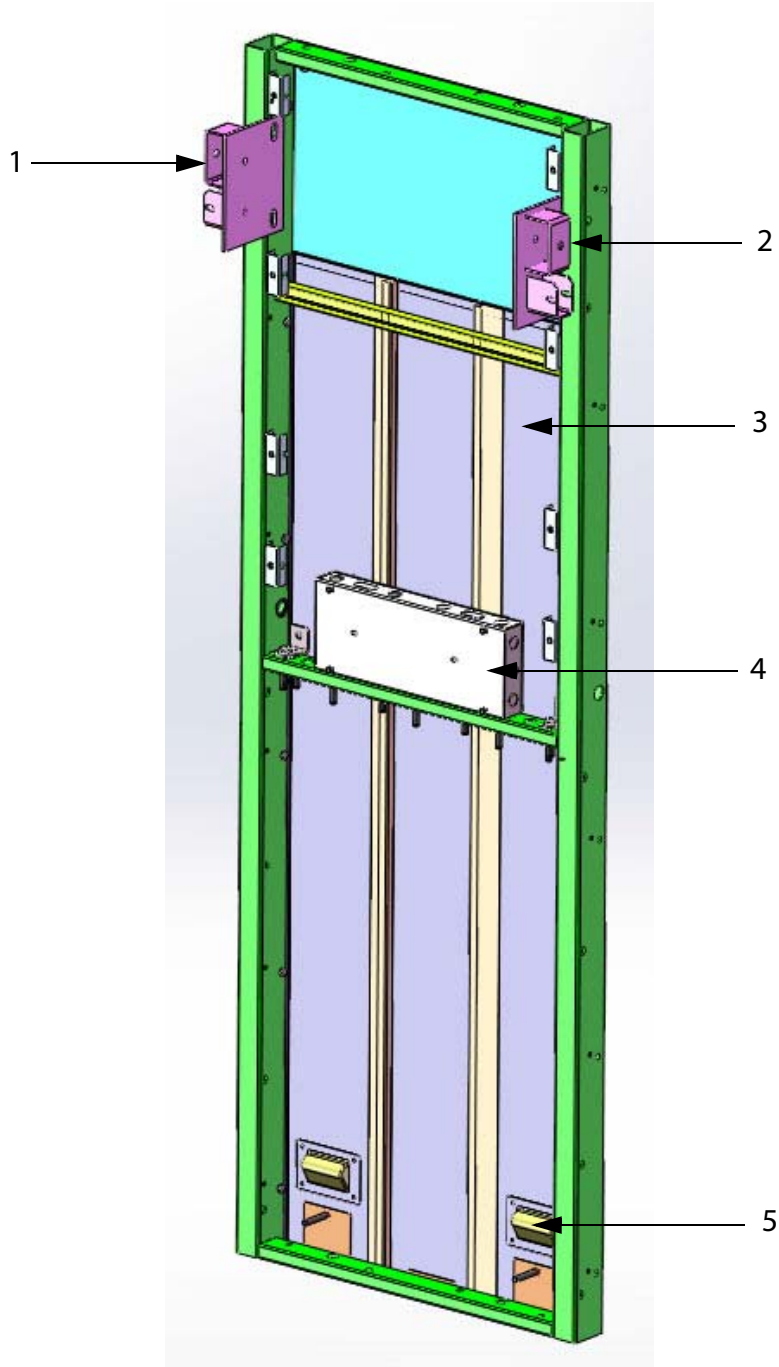
Cab assembly (30 x 46) hardware kits

Item	Part number	Description
1	G68061119	BOLTS_HEX M12X45 (QTY 12) WASHERS_FLAT 12 (QTY 24) WASHERS_LOCK 12 (QTY 12) NUTS_HEX NYLON M12 (QTY 12)
2	G68051020	BOLTS_HEX M10X45 (QTY 4) WASHERS_FLAT 10 (QTY 4) WASHERS_LOCK 10 (QTY 4) NUTS_HEX M10 (QTY 4)
3	G68051018	BOLTS_HEX M8X25 (QTY 8) WASHERS_FLAT 8 (QTY 8) WASHERS_LOCK 8 (QTY 8)
4	G68051021	BOLTS_HEX M8X70 (QTY 8) WASHERS_FLAT 8 (QTY 8) WASHERS_LOCK 8 (QTY 8)
5	G68061120	BOLTS_HEX M8X40 (QTY 12) WASHERS_FLAT 8 (QTY 12) WASHERS_LOCK 8 (QTY 12)
6	G68081036	BOLTS_HEX M10X75 (QTY 4) WASHERS_FLAT LARGE 10 (QTY 4) WASHERS_LOCK 10 (QTY 4) NUTS_HEX M10 (QTY 4)
7	G68081037	BOLTS_HEX M8X40 (QTY 8) WASHERS_FLAT LARGE 8 (QTY 8) WASHERS_LOCK 8 (QTY 8)
8	G81012135	SCREWS_FPH #8-32 X 1/2" SS (QTY 8)
9	G68061126	SCREW_PHP M6X12 (QTY 1) WASHER_LOCK 6 (QTY 1)
10	G68051019	SCREWS_PHP 1/4" X 5/8" (QTY 8) WASHERS_FLAT LARGE 1/4" (QTY 8) WASHERS_LOCK 1/4" (QTY 8) BARREL BOLTS 1/4" (QTY 8)
11	G68051059	SCREWS_FPH M4X10 (QTY 3)
12	G81011929	SCREWS_PHP #10-24 X 1/2" (QTY 2)
13	G81012024	SCREWS_FHP #10-32 X 1/2" (QTY 2)
14	G68041032	BOLTS_HEX M10X30 (QTY 4) WASHERS_FLAT LARGE 10 (QTY 4) WASHERS_LOCK 10 (QTY 4) NUTS_HEX NYLON M10 (QTY 4)

Platform assembly, G68051001 (36x54) or G68051038 (30x46)

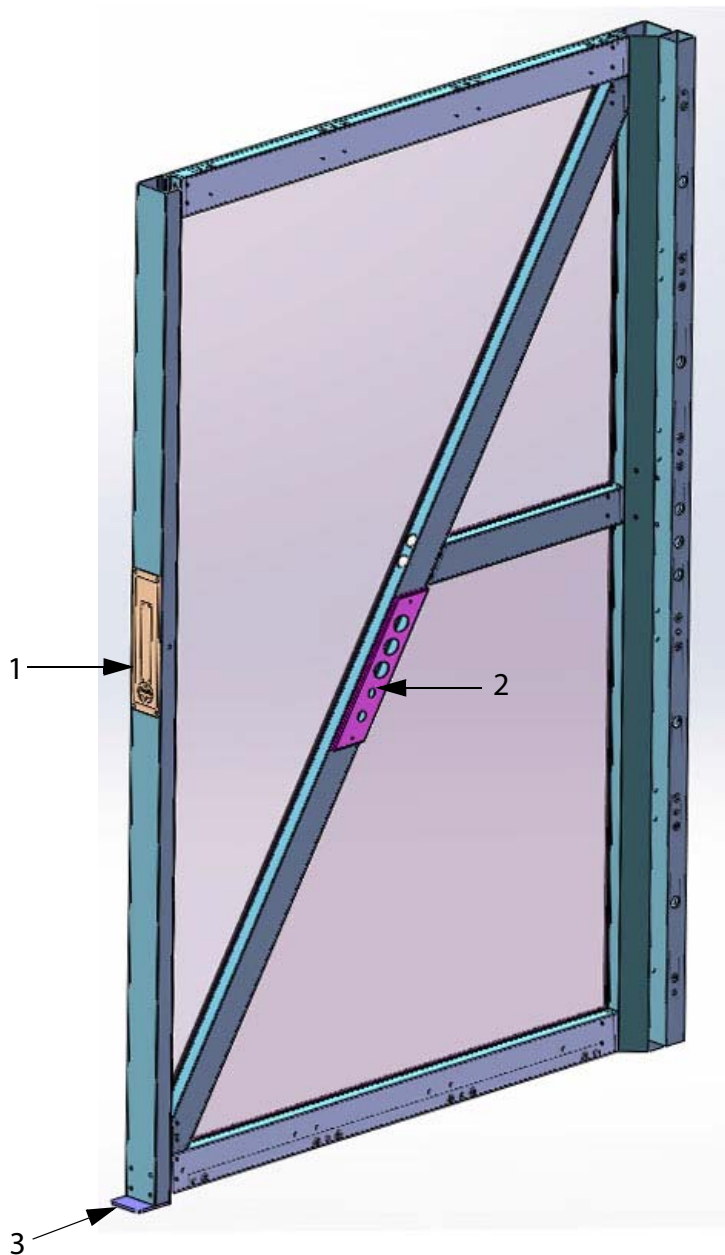
Item	Part number	Description
1	G68051052	BRACKET, SWITCH
2	301753	SWITCH
3	G68051054	GROMMET
4	G68051053	UNDERPAN
5	G68051030	WALL SUPPORT

Back wall assembly, G68061058 (36x54) or G68061116 (30x46)



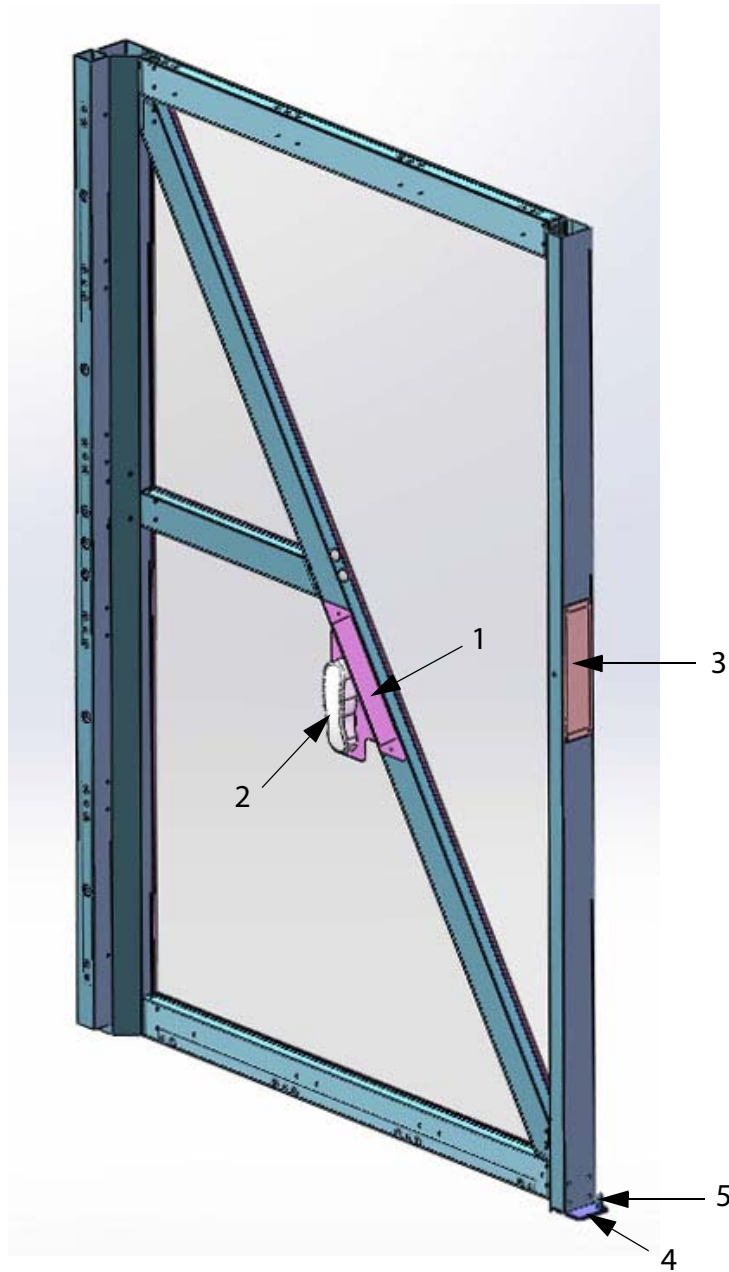
Item	Part number	Description
1	244255-W	SMALL SKATE, LH
2	244254-W	SMALL SKATE, RH
3	G68061067	SERVICE PANEL
4	G68061071	PCB JUNCTION BOX
5	G68061076	HANDLES, SERVICE PANEL

Side wall assembly - LH, G68061001 (36x54) or G68061079 (30x46)



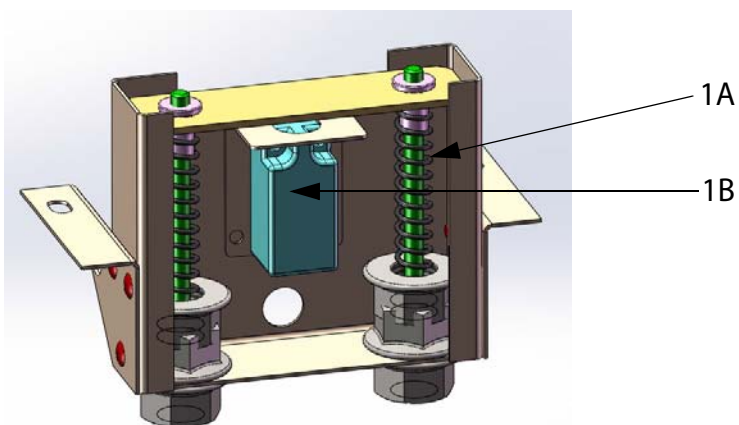
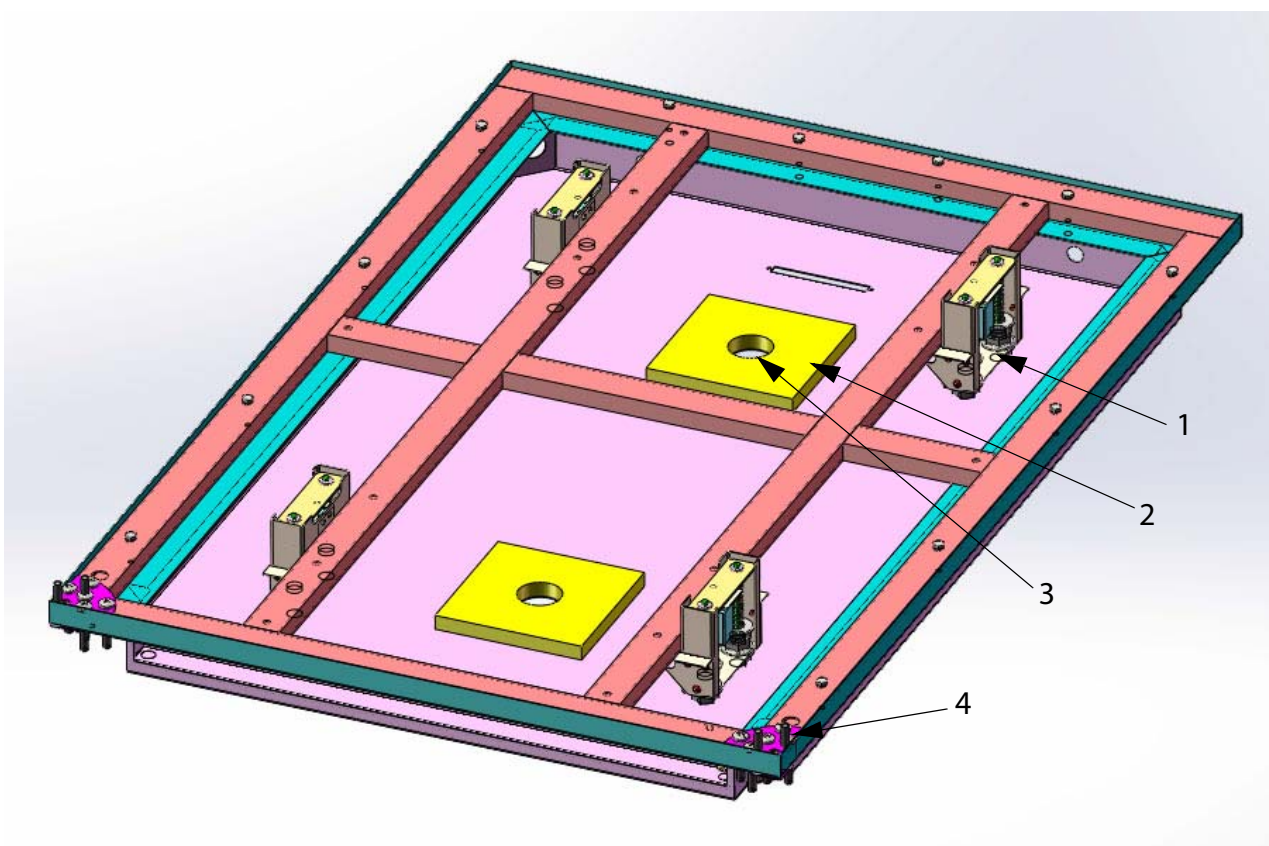
Item	Part number	Description
1	G68061030	LOCK ASM (WR500 LOCK 106322 AND PLATE G68061031)
2	G68061029-R/L G68061101-R/L	BRACKET, COP (36X54 CAB) BRACKET, COP (30X46 CAB)
3	G68061034	DOOR PLATE (NO HINGE PIN HOLE)

Side wall assembly - RH, G68061038 (36x54) or G68061102 (30x46)



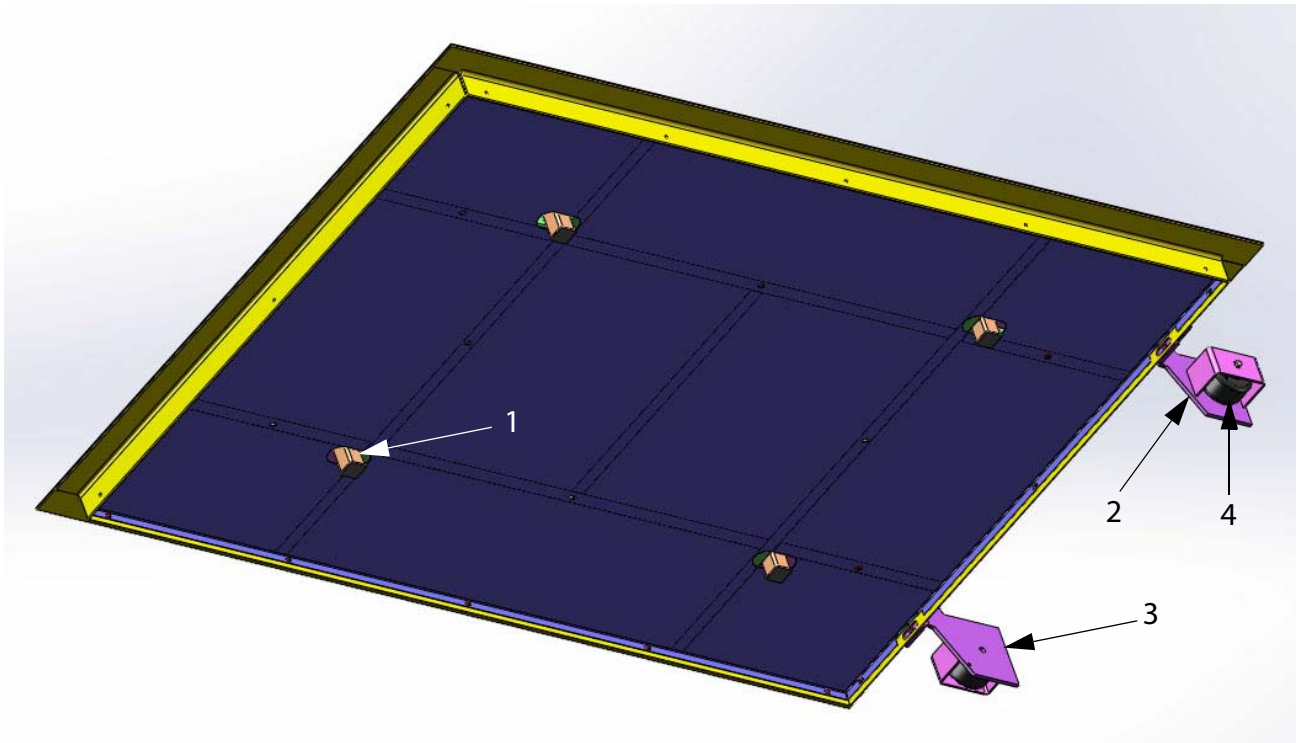
Item	Part number	Description
1	G68061052-R/L G68061115-R/L	BRACKET, PHONE (36X54 CAB) BRACKET, PHONE (30X46 CAB)
2	105634	PHONE
3	G68061053	PLATE
4	G68061055 G68061122	DOOR PLATE (WITH HINGE PIN HOLE) - FOR LH OPENING DOOR PLATE (WITH HINGE PIN HOLE) - FOR RH OPENING
5	G68061057	DOOR HINGE PIN, BOTTOM

Car roof assembly, G68081001 (36x54) or G68081038 (30x46)



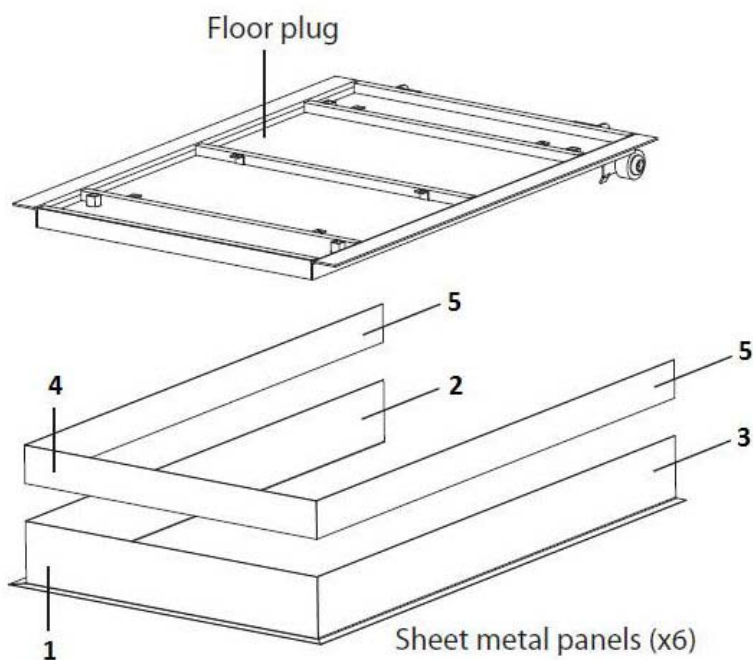
Item	Part number	Description
1	G68081018	SWITCH ASSEMBLY, CAR ROOF
1A	G68081027	SPRING
1B	102182	SWITCH
2	G68081029	LIGHT HOLDER
3	200113-LED	LIGHT, LED PUCK GOLD ASSY
4	G68081032	BRACKET, DOOR HINGE PIN

Floor plug assembly, G68041001 (36x54) or G68041021 (30x46)



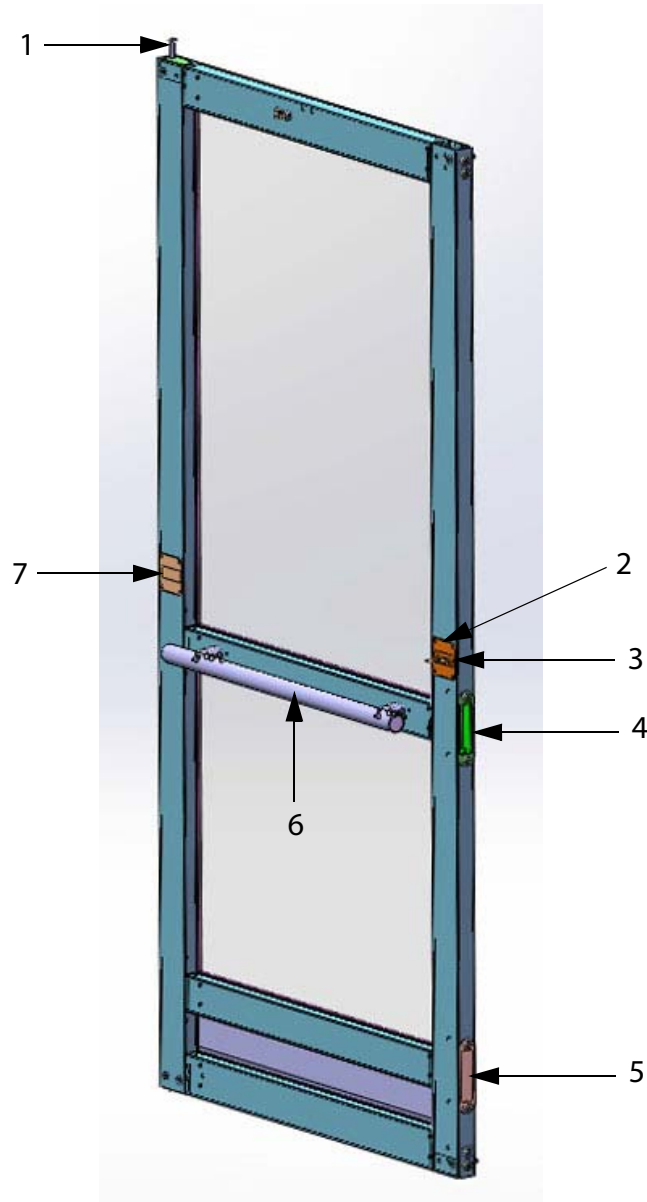
Item	Part number	Description
1	G68041012	SWITCH CAM, CAR ROOF
2	G68041015	GUIDE BRACKET, RH
3	G68041018	GUIDE BRACKET, LH
4	MA2AB	WHEEL

Sheet metal panels for floor opening



Item	Part number	Description
1	244266-17 244266-17-30	FRONT PANEL, LOWER (36 X 54 CAB) FRONT PANEL, LOWER (30 X 46 CAB)
2	244265-R-17 244265-R-17-30	RIGHT PANEL, LOWER (36 X 54 CAB) RIGHT PANEL, LOWER (30 X 46 CAB)
3	244265-L-17 244265-L-17-30	LEFT PANEL, LOWER (36 X 54 CAB) LEFT PANEL, LOWER (30 X 46 CAB)
4	244275-17 244275-17-30	FRONT PANEL, UPPER (36 X 54 CAB) FRONT PANEL, UPPER (30 X 46 CAB)
5	244274-17 244274-17-30	SIDE PANEL, UPPER (36 X 54 CAB) SIDE PANEL, UPPER (30 X 46 CAB)

Door assembly, G68131001 (36x54) or G68131040 (30x46)

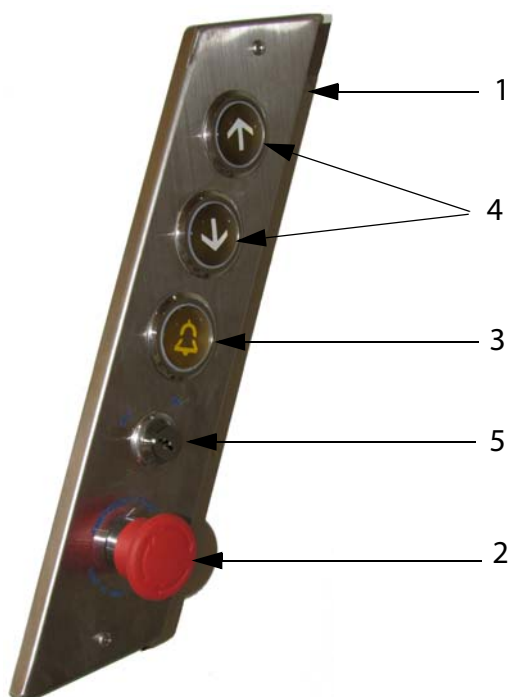


Item	Part number	Description
1	G68131035	DOOR HINGE PIN, TOP
2	G68131028	BEAK PLATE
3	106322	WR500 LOCK (BEAK)
4	G68131030	HAND GRIP
5	G68131031	PLATE
6	G68131017	HANDRAIL
7	G68131029	PLATE

Phone

Item	Part number	Description
1	105634	PHONE_APH 7111-05 AUDIOLOGIC
2	G68061052-R/L G68061115-R/L	BRACKET, PHONE (36X54 CAB) BRACKET, PHONE (30X46 CAB)
3	106837	CABLE_HOME PHONE 14FT
4	105295	CON_PLUG MALE 321S-DS/12
5	105296	CON_PLUG FEMALE 321B-DS/12

Car operating panel

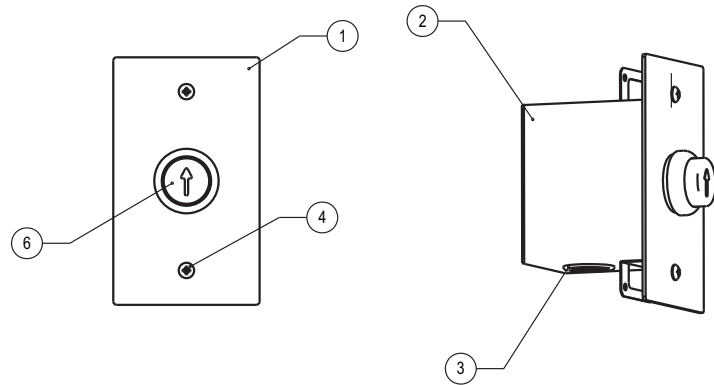


Item	Part number	Description
1	G68061029-R/L G68061101-R/L	BRACKET, COP (36X54 CAB) BRACKET, COP (30X46 CAB)
2	SPW-0	BUTTON, EMERGENCY STOP
3	G6202002022	BUTTON, ALARM BELL
4	G6201100060	BUTTON, FLOOR (UP/DOWN ARROW)
5	102268 102269	KEY SWITCH (REMOVE WHEN OFF ONLY) KEY SWITCH (REMOVE WHEN OFF OR ON)
7	G68191006	HARNESS, COP

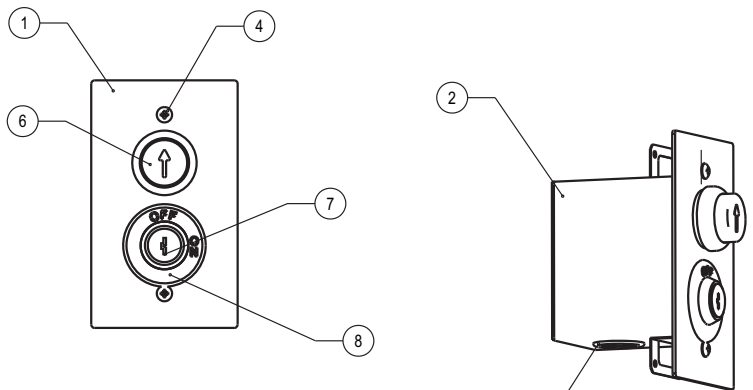
Hall calls (flush remote)

Hall calls (flush remote) up/down

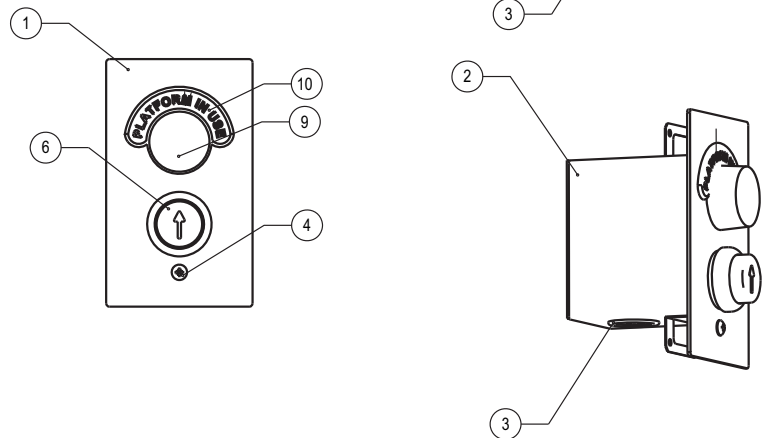
Hall call (flush remote) up/down
320051



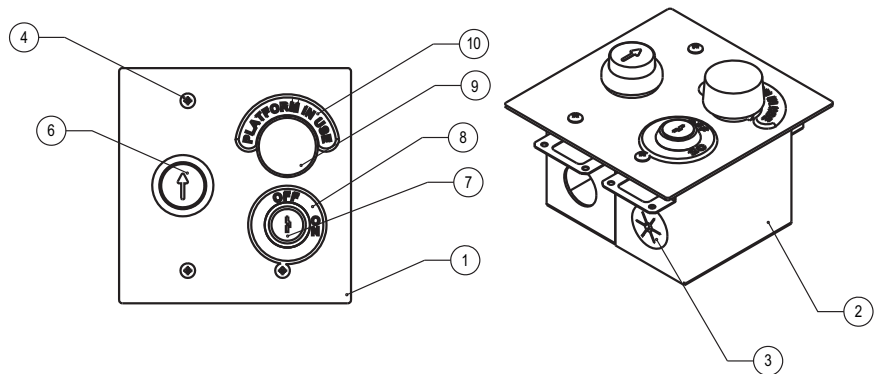
Hall call (flush remote) up/down, key
320053



Hall call (flush remote) up/down, light
320055



Hall call (flush remote)
up/down, light, key
320055

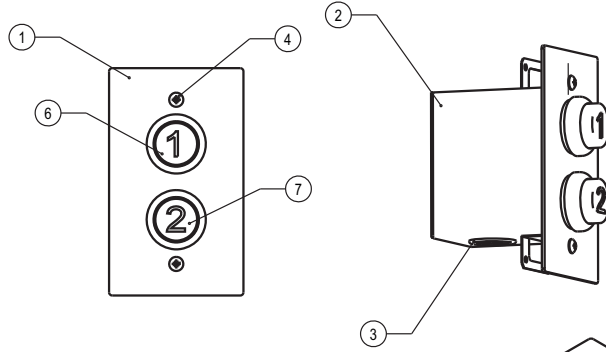


Hall calls (flush remote) up/down

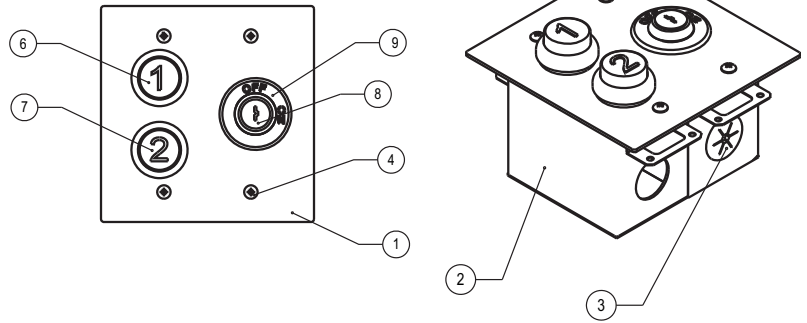
Item	Part number	Description
1	320052 320057 320062	PLT_FLUSH REMOTE CALL 1 RND PLT_FLUSH REMOTE CALL 2 RND PLT_FLUSH REMOTE CALL 3 RND
2	105607	BOX_ELEC 3" X 2" 1104-K
3	102298	BSHG_UNIVERSAL SNAPIN 7/8
4	105506	MS_THP 6-32X3/4 S/S
6	106678	PBTN_BLANK WITH 1X NO CONTACT
7	102268	SW_KEY N/O RMV OFF
8	222711	LABEL_KEY ON/OFF
9	105519	LIGHT_IN USE RED
10	222712	LABEL_PLTFM IN USE VPL

Hall calls (flush remote) call/send

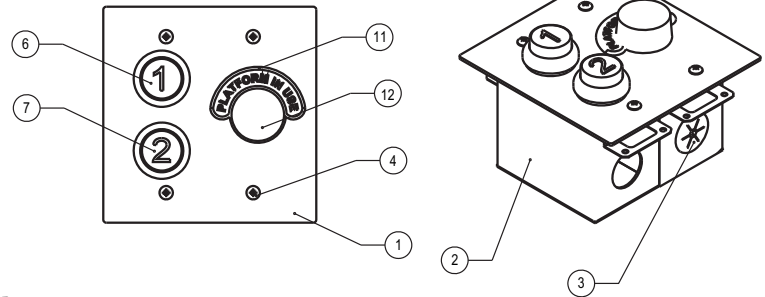
Hall call (flush remote) call/send
320056



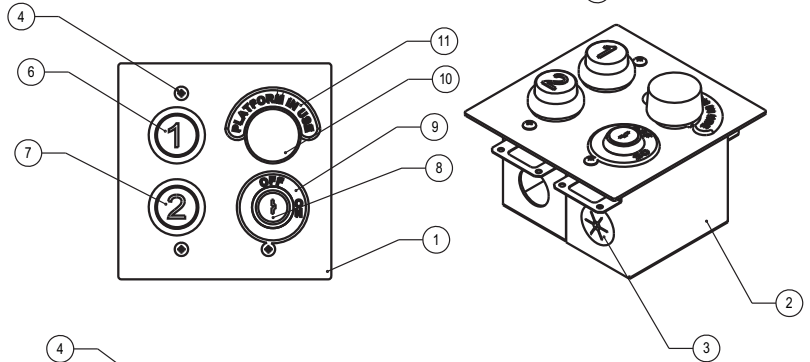
Hall call (flush remote) call/send, key
320059



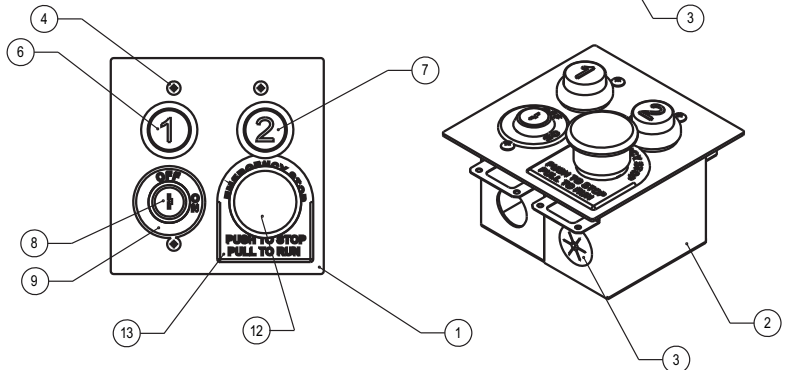
Hall call (flush remote) call/send, light
320061



Hall call (flush remote) call/send, light, key
320063



Hall call (flush remote) call/send, key, E-stop
320063



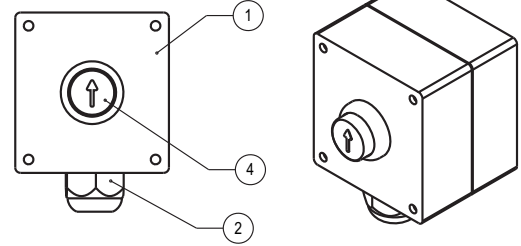
Hall calls (flush remote) call/send

Item	Part number	Description
1	320057 320062 320065	PLT_FLUSH REMOTE CALL 2RND PLT_FLUSH REMOTE CALL 3 RND PLT_FLUSH REMOTE CALL 4 RND
2	105607	BOX_ELEC 3" X 2" 1104-K
3	102298	BSHG_UNIVERSAL SNAPIN 7/8
4	105506	MS_THP 6-32X3/4 S/S
6	106672	PBTN_1 WITH 1X NO CONTACT
7	106673	PBTN_2 WITH 1X NO CONTACT
8	102268	SW_KEY N/O RMV OFF
9	222711	LABEL_KEY ON/OFF
10	105519	LIGHT_IN USE RED
11	222712	LABEL_PLTFM IN USE VPL
12	105117	BTN_STOP EMRG PSH/STP PULL 1NC
13	222709	LABEL_EMRG STOP PUSH/PULL

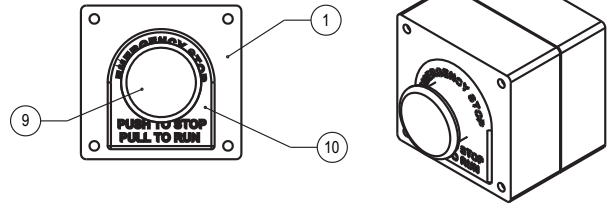
Hall calls (surface remote)

Hall calls (surface remote) up/down

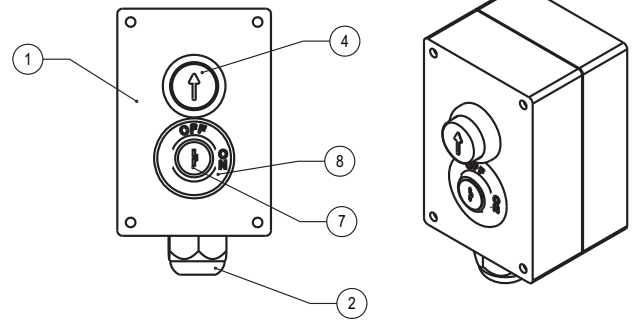
Hall call (surface remote) up/down
320066



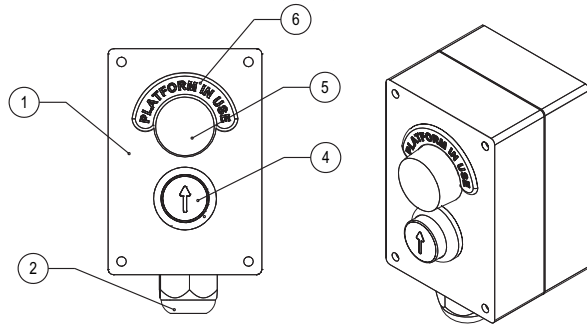
Hall call (surface remote) E-stop
320070



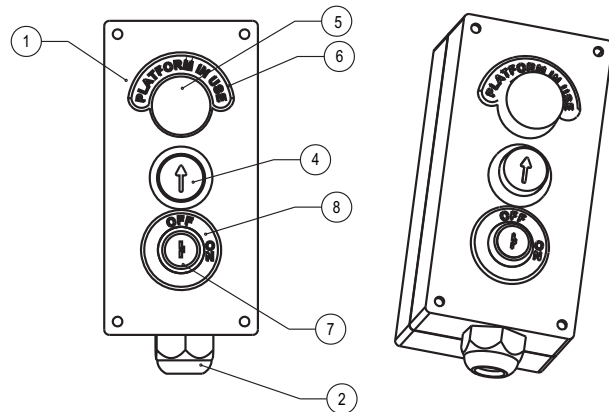
Hall call (surface remote) up/down, key
320068



Hall call (surface remote) up/down, light
320069



Hall call (surface remote) up/down, key, light
320073

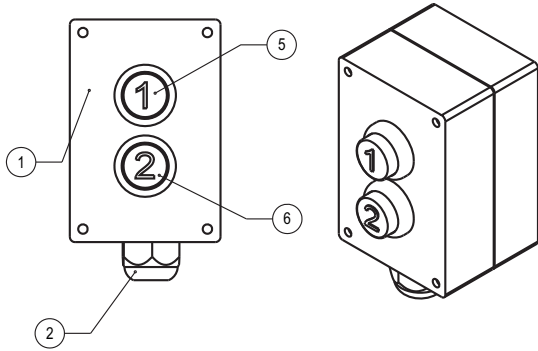


Hall calls (surface remote) up/down

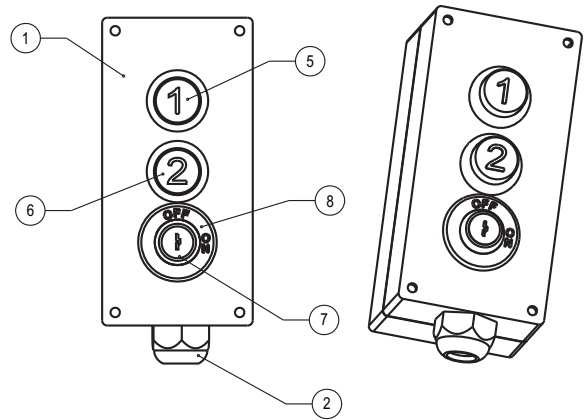
Item	Part number	Description
1	243626 105703 243627	BOX_HALL CALL PLASTIC 1 HOLE BOX_HALL CALL PLASTIC 2 HOLES BOX_HALL CALL PLASTIC 3 HOLES
2	105298	CON_SEAL TWR CC-NPT-12-B
3	103618	NUT_LOCK 1/2-13 HVY JAM
4	106678	PBTN_BLANK WITH 1X NO CONTACT
5	105519	LIGHT_IN USE RED
6	222712	LABEL_PLTFM IN USE VPL
7	102268	SW_KEY N/O RMV OFF
8	222711	LABEL_KEY ON/OFF
9	105117	BTN_STOP EMRG PSH/STP PULL 1NC
10	222709	LABEL_EMRG STOP PUSH/PULL

Hall calls (surface remote) call/send

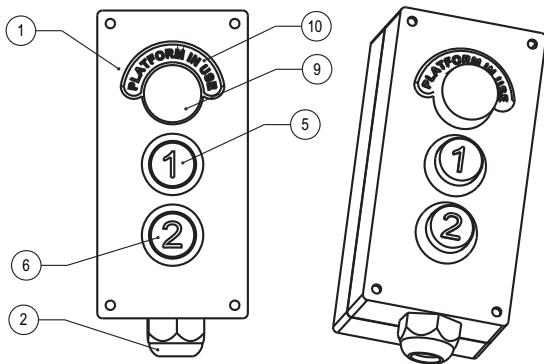
Hall call (surface remote) call/send
320067



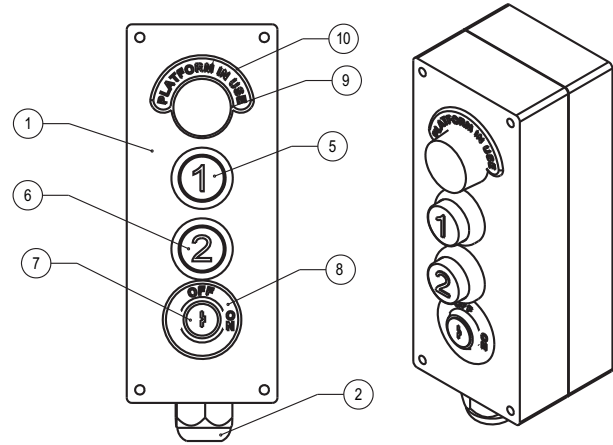
Hall call (surface remote) call/send, key
320071



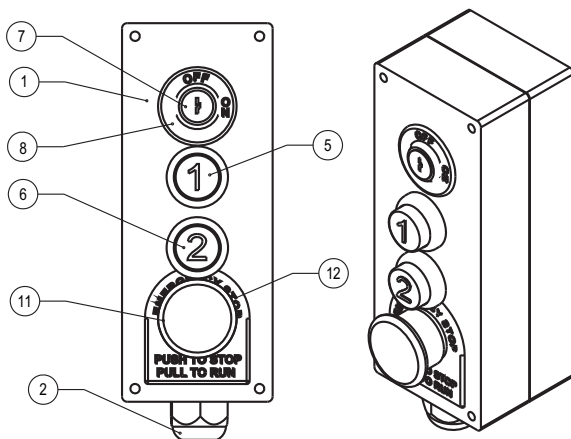
Hall call (surface remote) call/send, light
320072



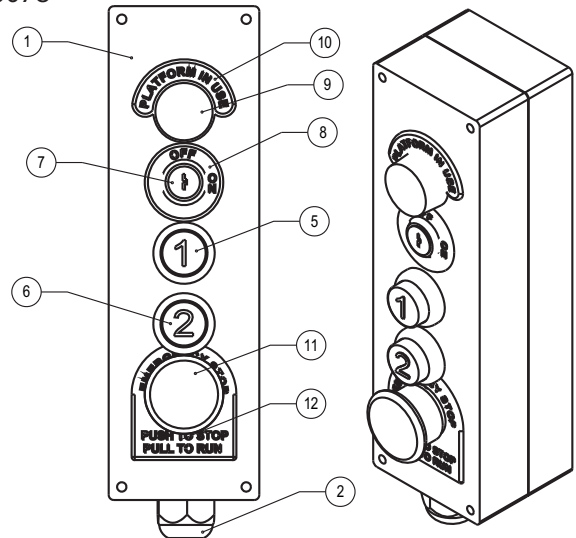
Hall call (surface remote) call/send, key, light
320075



Hall call (surface remote) call/send, key, E-stop
320074



Hall call (surface remote) call/send, key, light, E-stop
320078



Hall calls (surface remote) call/send

Item	Part number	Description
1	105703 243627 ZGE-22 106297	BOX_HALL CALL PLASTIC 2 HOLES BOX_HALL CALL PLASTIC 3 HOLES BOX_HALL CALL PLASTIC 4 HOLES BOX_HALL CALL PLASTIC 5 HOLES
2	105298	CON_SEAL TWR CC-NPT-12-B
3	103618	NUT_LOCK 1/2-13 HVY JAM
5	106672	PBTN_1 WITH 1X NO CONTACT
6	106673	PBTN_2 WITH 1X NO CONTACT
7	102268	SW_KEY N/O RMV OFF
8	222711	LABEL_KEY ON/OFF
9	105519	LIGHT_IN USE RED
10	222712	LABEL_PLTFM IN USE VPL
11	105117	BTN_STOP EMRG PSH/STP PULL 1NC
12	222709	LABEL_EMRG STOP PUSH/PULL

Miscellaneous items

Documents

Part number	Description
001080	GUIDE_INSTALLATION, TELECAB17
001081	MANUAL_OWNER'S, TELECAB17
000992	SCHEMATICS_ELECTRICAL, DC ONLY, TELECAB
001079	GUIDE_PLANNING, TELECAB17
001106	CATALOGUE_PARTS, TELECAB17

Keys, tools, paint

Part number	Description
105767	BIT_DRVR SECURITY SCRW 8-32
102270	KEY_2252
105479	KEY_ALLEN 1/4 6" LONG
105542	KEY_MECH CHICAGO 2003
106736	KEY_MECH CHICAGO 2007
200438-C	BUTTONS_TEMPORARY VC MODIFIED
103166	PAINT_TOUCH-UP WHT ARCH LA-16

Battery

Part number	Description
105545	BATTERY_12V 7AHR
242938	TRAY_BATTERY DC DRIVE

Harnesses

Part number	Description
320698	HRNS_TRAVELLING CABLE
243167	HRNS_V1504 PHONE JACK
323236	HRNS_V1504 JUMPER
245689	HRNS_V-1504 VALVE
245689-20	HRNS_V-1504 VALVE 20'
320697	HRNS_V-1504 MOTOR
243165	HRNS_V1504 POWER CORD
242975	HOLDER_CABLE TOWER V-1504 PLUS
G68191001	HARNESS, CAR ROOF EMERGENCY LIGHT
G68191002	HARNESS, CAR ROOF SWITCHES
G68191003	HARNESS, PLATFORM SWITCHES
G68191004	HARNESS, CAR ROOF LIGHTING
G68191005	HARNESS, DOOR LOCK
G68191006	HARNESS, COP

Telecab17 Vertical Platform Lift PARTS CATALOGUE

Part No. 001106
Copyright © 2019

Savaria Concord Lifts, Inc.
www.savaria.com

Support
2 Walker Drive
Brampton, Ontario, L6T 5E1, Canada
Toll free: (800) 791-7999
Fax: (905) 791-2222

