



# Telecab

## Residential Elevator



# PARTS CATALOGUE

Part No. 000662  
03-m10-2018

---

## **Revision History**

January 6, 2016 - Initial release of new revised version

February 17, 2016 - Revised back page - Savaria Corporation to Savaria Concord Lifts, Inc.

August 1, 2018 - Added operators on page 80

October 3, 2018 - Changed P/N 244254 to 244255 on page 26

## **Telecab Residential Elevator Parts Catalogue**

Part No. 000662

Copyright © 2018  
Savaria Concord Lifts, Inc.  
All rights reserved

Printed in Canada

# Contents

<b>Back panels</b> .....	<b>1</b>
Back panel assemblies .....	1
Back panel H/W kit - 243240 .....	1
<b>Tower assembly</b> .....	<b>2</b>
Pillar assembly (small cylinder) - 320655 .....	3
Cylinder .....	4
Clamp assemblies .....	5
Cylinder support shim 1/16" - V0100121 .....	6
Cylinder support shim 1/8" - V0100122 .....	6
Cylinder support shim 1/4" - V0100123 .....	6
Cylinder support shim 3/16" - V0100124 .....	6
Anchor kit (tower to concrete wall) - 207125 .....	7
Tower shim (tower to wall) - 247428 .....	7
Lag bolt kit (for tower to drywall) - 207124 .....	8
Through bolt rod kit (for tower to drywall) - 200181 .....	8
Through bolt hardware kit (for tower to drywall) - 207042 .....	8
Shoring pin - 105758 .....	8
Shoring pin attachment H/W .....	8
Yoke (cylinder head) assembly - V0110036 .....	9
Yoke guide assembly, V0110093 .....	10
Yoke slider - V0100237 .....	10
Hardware to attach yoke guide/slider assembly to cylinder head .....	10
Turnbuckle assembly - 320654 .....	11
Bracket-spring assembly (for cable) - 320658 .....	12
Manual lowering cable assembly - 320689 .....	13
Manual lowering box assembly - V01-0901 .....	14
Manual lowering kit - 243234 .....	14
Safety wheel kit - 320603 .....	15
Pit switch - 105117 .....	16
Spreader assembly skates - 320657 .....	17
Spreader assembly skates - 320657 .....	18
Left-hand skate wheel assembly - 320668 .....	19
Left-hand skate wheel assembly - 320668 .....	20
Left-hand skate safety assembly - 320686 .....	21
Right-hand skate wheel assembly - 320687 .....	22
Right-hand skate wheel assembly - 320687 .....	23
Right-hand skate safety assembly - 320685 .....	24
Right-hand skate assembly (small) - 244254 .....	25
Left-hand skate assembly (small) - 244255 .....	26
Final stopper assembly - 320659 .....	27
Triangle bracket (to secure unanchored tower to wall) - 243702 .....	28
U bracket (to secure unanchored tower to wall) - 245624 .....	28
Triangle or U-bracket H/W kit - 320727 .....	29
<b>Limit switches</b> .....	<b>30</b>
Limit switch harnesses/cables .....	30
Limit switch, blue - 320690 .....	31
Limit switch, NC/NC - 323007 .....	32
Limit switch, grey - 320691 .....	33
<b>Controller assembly</b> .....	<b>34</b>
Controller assemblies .....	34
Controller attachment kit - 320710 .....	34

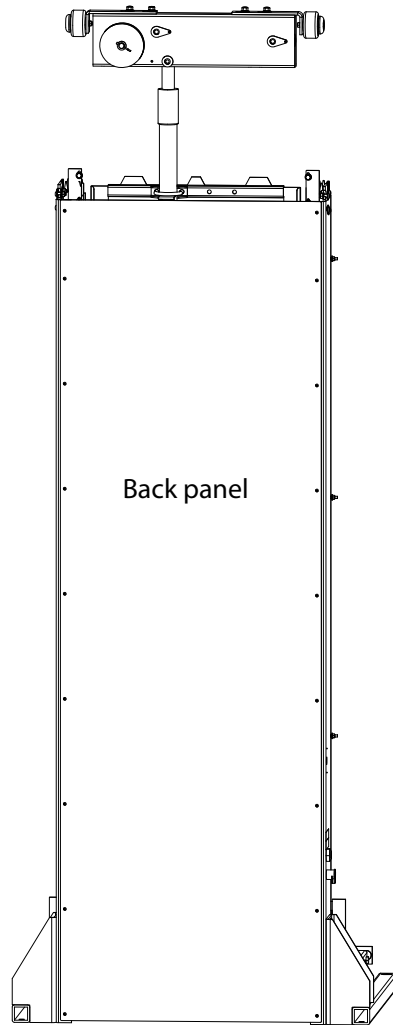
<b>Hydraulics (new version) .....</b>	<b>35</b>
Pump assemblies .....	35
Manifold assembly 2" piston, 18 fpm - 109328 .....	36
Manifold assembly 1.5" piston, 16 fpm - 109329 .....	36
Hydraulic items .....	37
<b>Hydraulics (old version) - prior to 2011 .....</b>	<b>39</b>
Pump assemblies .....	39
Hydraulics, 12V public USA, short hose - 320660 .....	40
Hydraulics, 110V public USA, short hose - 320661 .....	41
Hydraulics, 110V public BC, short hose - 320662 .....	42
Hydraulics, 110V residential, short hose - 320663 .....	44
Hydraulics, 12V residential, short hose - 320664 .....	45
Hydraulics, 110V public Canada, short hose - 320665 .....	46
<b>Tower extensions .....</b>	<b>47</b>
Tower extension assemblies .....	48
Tower extension H/W kit - 243231 .....	48
<b>Tower cap .....</b>	<b>49</b>
Tower cap - 323415-B .....	49
Tower cap H/W kit - 320702 .....	49
<b>Service panels .....</b>	<b>50</b>
Service panels .....	50
Service panel H/W kit - 320703 .....	51
Pit channel service panel mounting bracket - 320774 .....	51
Service panel mounting bracket and clamp assemblies .....	52
Service panel mounting extension 46" - 320756 .....	53
Service panel mounting extension 70" - 320757 .....	54
Service panel mounting extension 94" - 320648 .....	55
<b>Cab assembly .....</b>	<b>56</b>
Type 5 cab shown .....	56
Cab assembly .....	59
Floor plug (type 5 - 30x46x78), 323352 .....	60
L-structure (COP wall and roof), 323332 .....	61
COP panel assembly, 323410 .....	62
RH door frame assembly, 323345 .....	63
Side and floor structure, 323329 .....	64
Ceiling assembly (with duct covers), 323306 .....	65
Ceiling assembly, 323305 .....	66
Phone .....	67
<b>Car operating panel (COP) .....</b>	<b>68</b>
Car operating panels with big buttons .....	68
Car operating panels with big buttons .....	69
Car operating panels with standard buttons .....	70
COP mounting bracket, H/W and harness .....	71
<b>Hall calls (flush remote) .....</b>	<b>72</b>
Hall calls (flush remote) up/down .....	72
Hall calls (flush remote) up/down .....	73
Hall calls (flush remote) call/send .....	74
<b>Hall calls (surface remote) .....</b>	<b>76</b>
Hall calls (surface remote) up/down .....	76
Hall calls (surface remote) up/down .....	77
Hall calls (surface remote) call/send .....	78
Hall calls (surface remote) call/send .....	79

---

<b>Operators</b> .....	<b>80</b>
<b>Miscellaneous items</b> .....	<b>81</b>
Documents .....	81
Keys, tools, paint .....	81
Battery .....	81
Harnesses .....	81



## Back panels



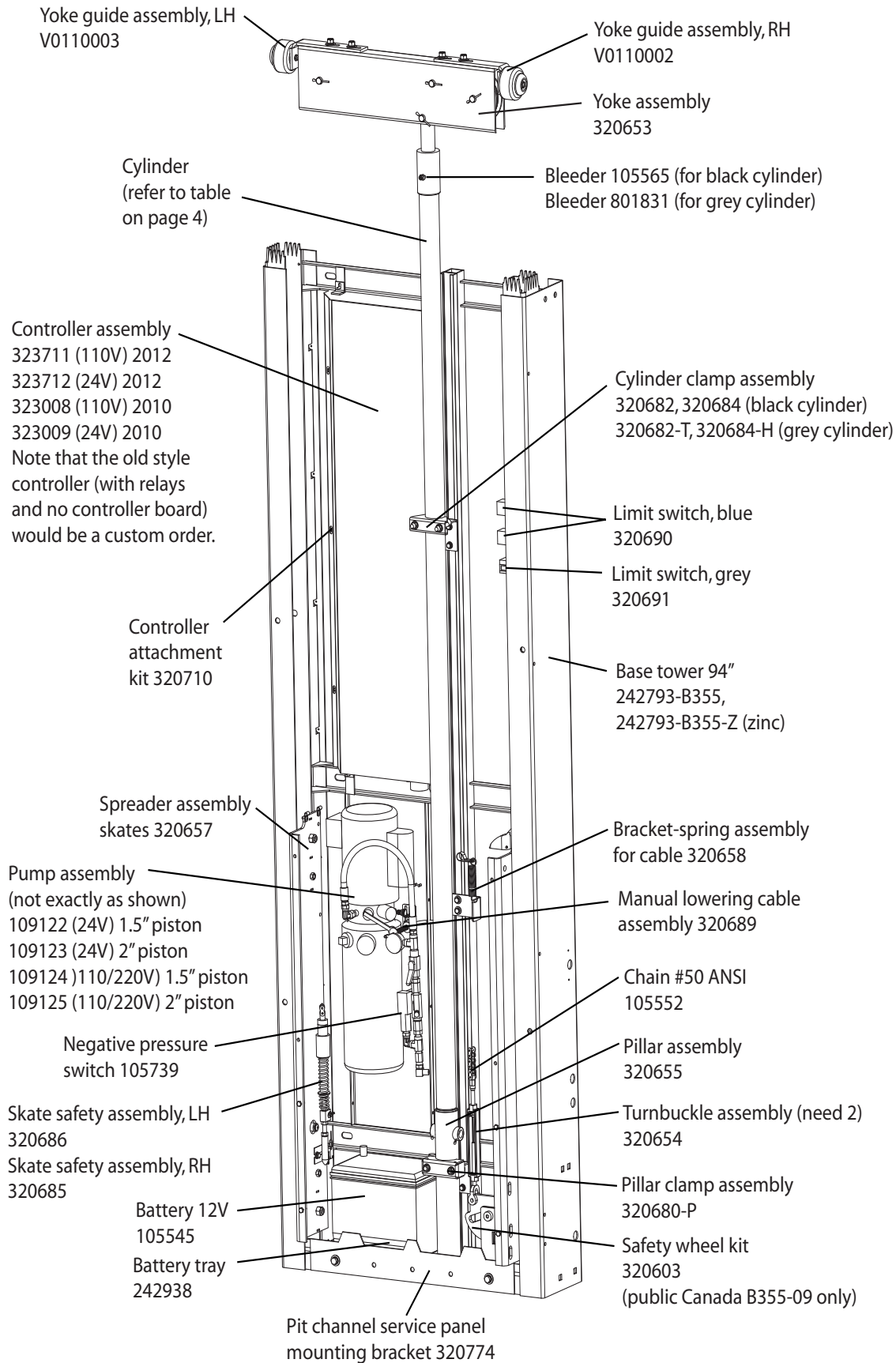
### Back panel assemblies

Part number	Description
320720	BACK PANEL, 10" EXTENSION
320721	BACK PANEL, 22" EXTENSION
320722	BACK PANEL, 46" EXTENSION
320723	BACK PANEL, 70" EXTENSION
320724	BACK PANEL, 94" EXTENSION
320725	BACK PANEL, BASE TOWER

### Back panel H/W kit - 243240

Part number	Description
105582	SCRW_SLF DRILL 8-18 #2 DRV 3/4

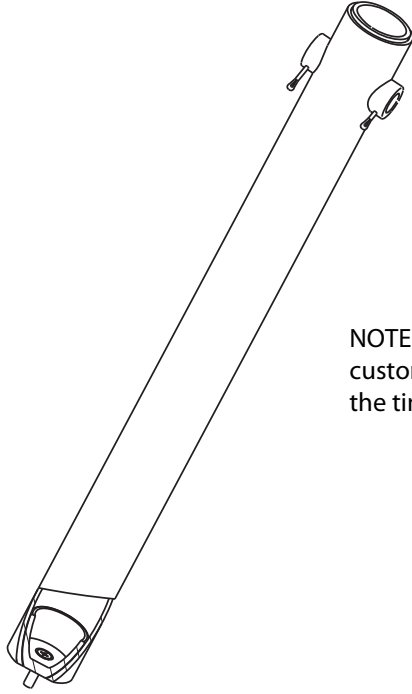
# Tower assembly





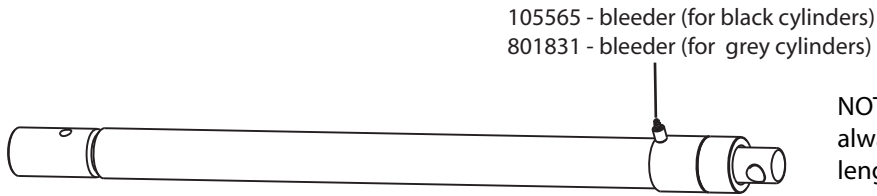
---

## Pillar assembly (small cylinder) - 320655



NOTE: The pillar length will always be custom. Please specify the length at the time of ordering.

## Cylinder

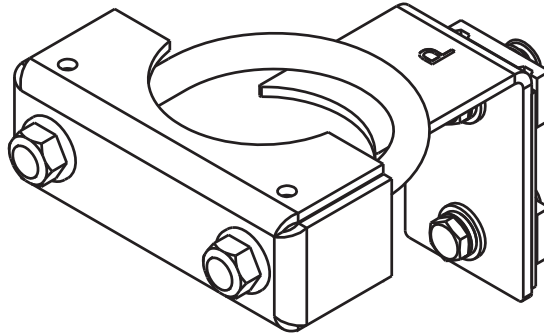


NOTE: The pre-extension length will always be custom. Please specify the length at the time of ordering.

NOTE: If you are replacing an older cylinder on a unit produced in Montreal, you need to order a custom cylinder. Units produced in Montreal will have a 4 or 5 digit job number, instead of 6. For units produced in Brampton, you need to order a 3" smaller pillar with the new cylinder and a new cylinder bracket.

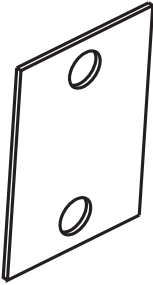
Part number	Description	Notes
105567	CYLINDER_36"	Black, prior to 2012
105568	CYLINDER_48"	
105569	CYLINDER_60"	
105570	CYLINDER_72"	
105571	CYLINDER_84"	
105572	CYLINDER_96"	
105573	CYLINDER_120"	
105574	CYLINDER_144"	
106396	CYLINDER_156"	
242294-T	CYLINDER_HY 1.5" SHAFT 24" STROKE	
242296-T	CYLINDER_HY 1.5" SHAFT 36" STROKE	
242298-T	CYLINDER_HY 1.5" SHAFT 48" STROKE	
242300-T	CYLINDER_HY 1.5" SHAFT 60" STROKE	
242302-T	CYLINDER_HY 1.5" SHAFT 72" STROKE	
242304-T	CYLINDER_HY 2" SHAFT 84" STROKE	
242978	CYLINDER_HY 2" SHAFT 96" STROKE	
242979	CYLINDER_HY 2" SHAFT 108" STROKE	
242980	CYLINDER_HY 2" SHAFT 120" STROKE	
242981	CYLINDER_HY 2" SHAFT 132" STROKE	
242982	CYLINDER_HY 2" SHAFT 144" STROKE	
105565	BLEEDER_CYLINDER	
801831	BLEEDER_T-CYLINDER	
320693	PIPE_PRE EXTN 2" CYL	
320694	PIPE_PRE EXTN 2.5" CYL	

## Clamp assemblies

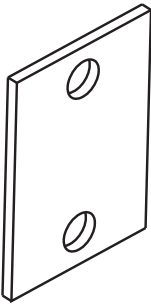


Part number	Description
320680-P	CLAMP_PILLAR CAP/BRKT ASSY 2"
320682	CLAMP_CAP CYL/BRKT ASSY 2"
320682-T	CLAMP_CAP CYL/BRKT ASSY 2.125"
320684	CLAMP_CAP CYL/BRKT ASSY 2.5"
320684-H	CLAMP_CAP CYL/BRKT ASSY 2.625"

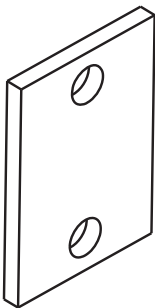
**Cylinder support shim 1/16" - V0100121**



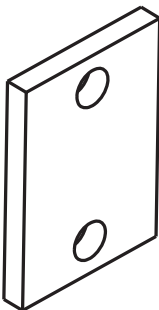
**Cylinder support shim 1/8" - V0100122**



**Cylinder support shim 1/4" - V0100123**



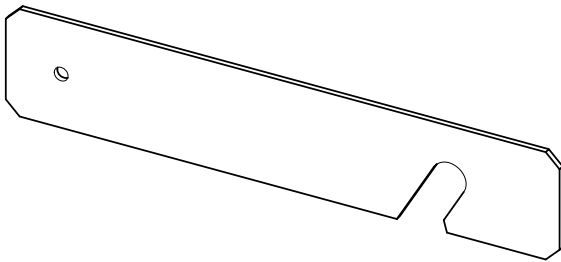
**Cylinder support shim 3/16" - V0100124**



---

**Anchor kit (tower to concrete wall) - 207125**

Part number	Description
102251	ANCR_WEDGE 1/2 X 4 1/4
101106	NUT_HEX 1/2-13
102193	WSHR_LCK 1/2
104531	WSHR_FLT .56IDx1.375ODx.11ZNC
103023	BAG_SHIPPING 9 X 12 0.004 MIL

**Tower shim (tower to wall) - 247428**

### Lag bolt kit (for tower to drywall) - 207124

Part number	Description
100220	SCRW_LAG HH 1/2 x 3
102193	WSHR_LCK 1/2
104531	WSHR_FLT .56IDx1.375ODx.11ZNC
103023	BAG_SHIPPING 9 X 12 0.004 MIL

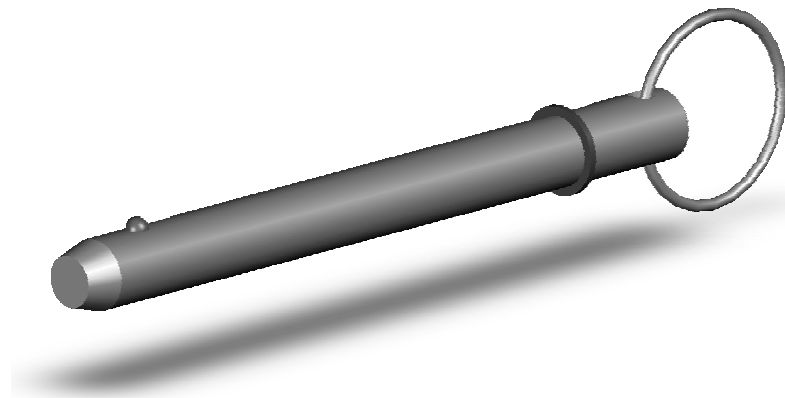
### Through bolt rod kit (for tower to drywall) - 200181

Part number	Description
200180	PLT_THRU-BOLT
101188	ROD_THD 1/2-13 x 36"

### Through bolt hardware kit (for tower to drywall) - 207042

Part number	Description
104531	WSHR_FLT .56IDx1.375ODx.11ZNC
102193	WSHR_LCK 1/2
101106	NUT_HEX 1/2-13

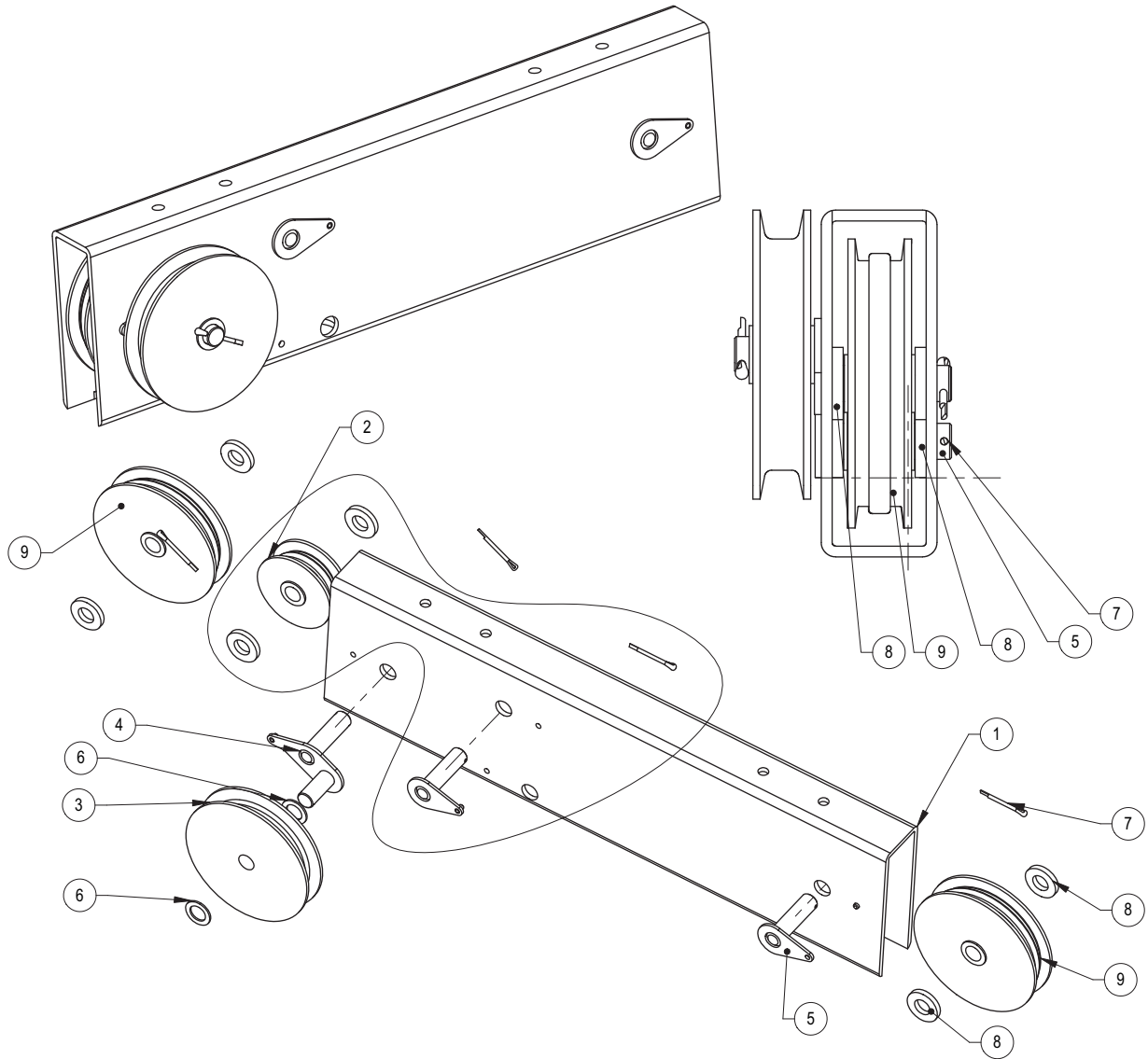
### Shoring pin - 105758



### Shoring pin attachment H/W

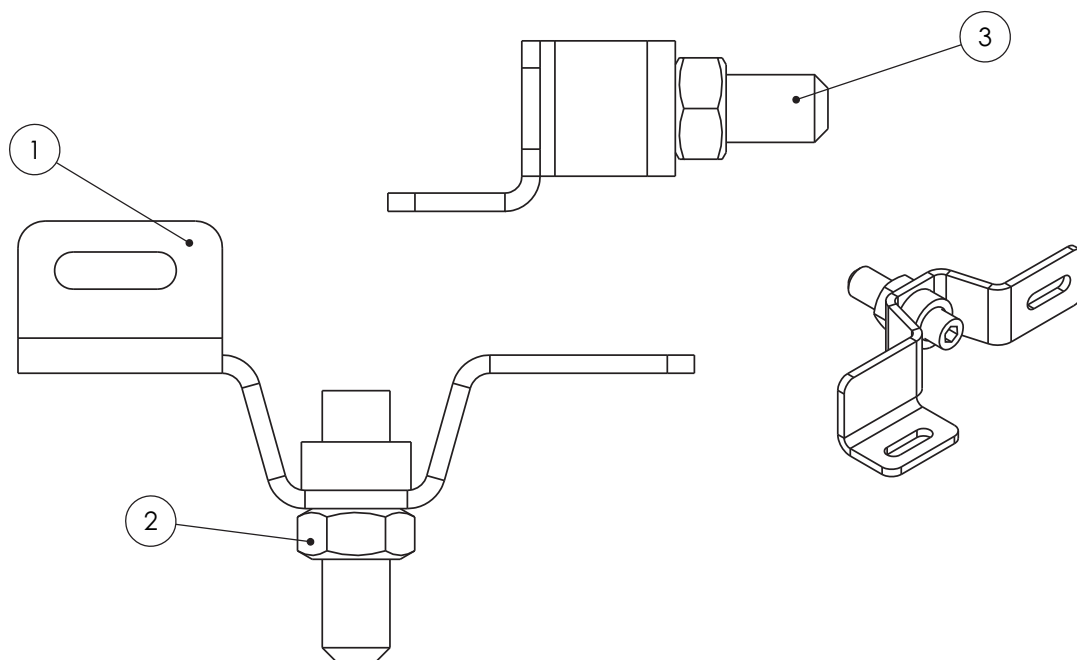
Item	Part number	Description
1	105794	SCRW_SM #14X1"SLF TAP HD

## Yoke (cylinder head) assembly - V0110036



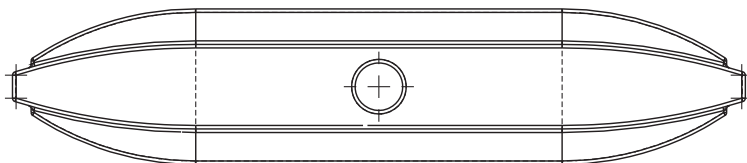
Item	Part number	Description
1	V0100085	TUBE CYLINDER HEAD
2	V0100065	RLR_CHAIN 3" DELRIN
3	V0100087	RLR_CBL
4	V0110056	SHAFT ASSY PULLEY CHAIN AND TC
5	V0110057	SHAFT_CHAIN
6	V0100144	WSHR_SHIM
7	105476	PIN_COTTER 1/8 x 1 1/2
8	V01-0308	SPCR_3/16" YOKE V-1504
9	V0110058	SHAFT_CYLINDER

## Yoke guide assembly, V0110093



Item	Part number	Description
1	V0100247	GUIDE_YOKE TELECAB
2	101106	NUT_HEX 1/2-13
3	105477	SCREW_SET 1/2-13

## Yoke slider - V0100237

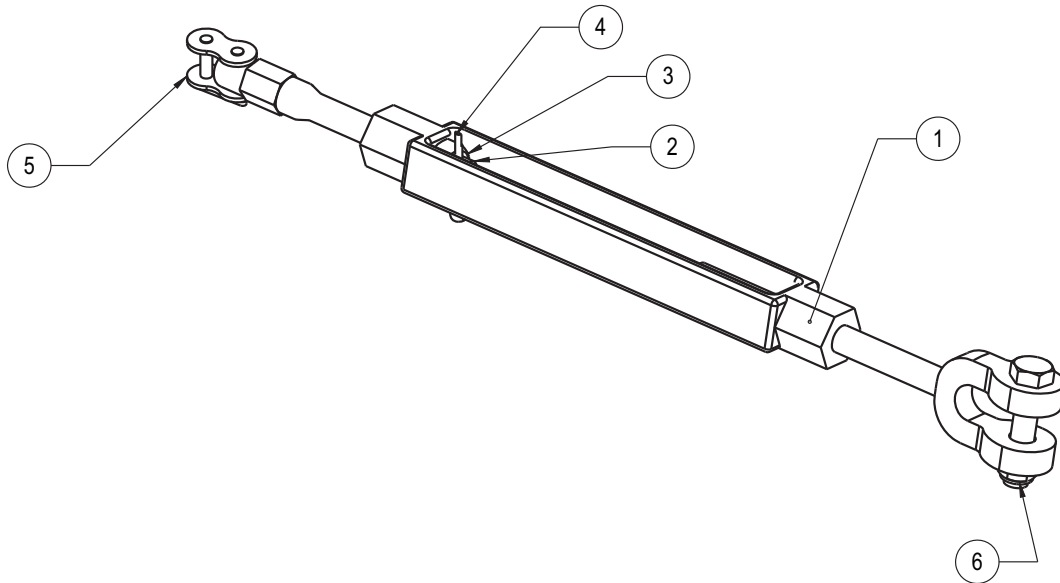


## Hardware to attach yoke guide/slider assembly to cylinder head

Item	Part number	Description
1	102188	WSHR_FLT 1/4 USS
2	102191	WSHR_LCK 1/4 MED SPLT ZNC
3	100171	HHCS_1/4-20 x 1 F/T

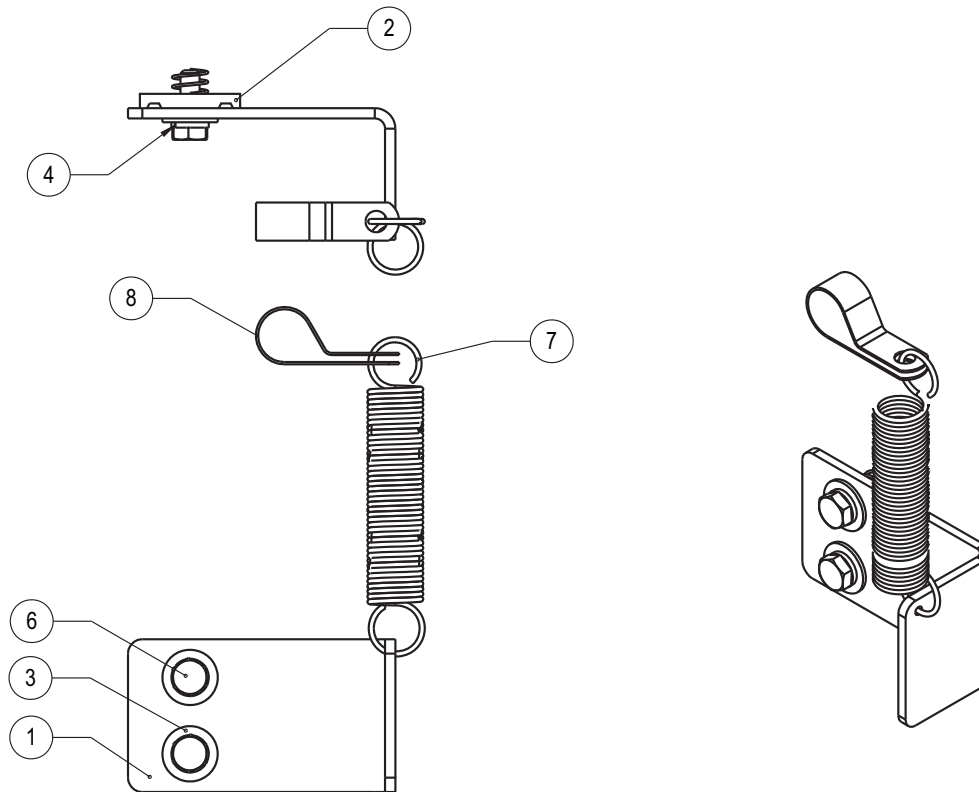


## Turnbuckle assembly - 320654



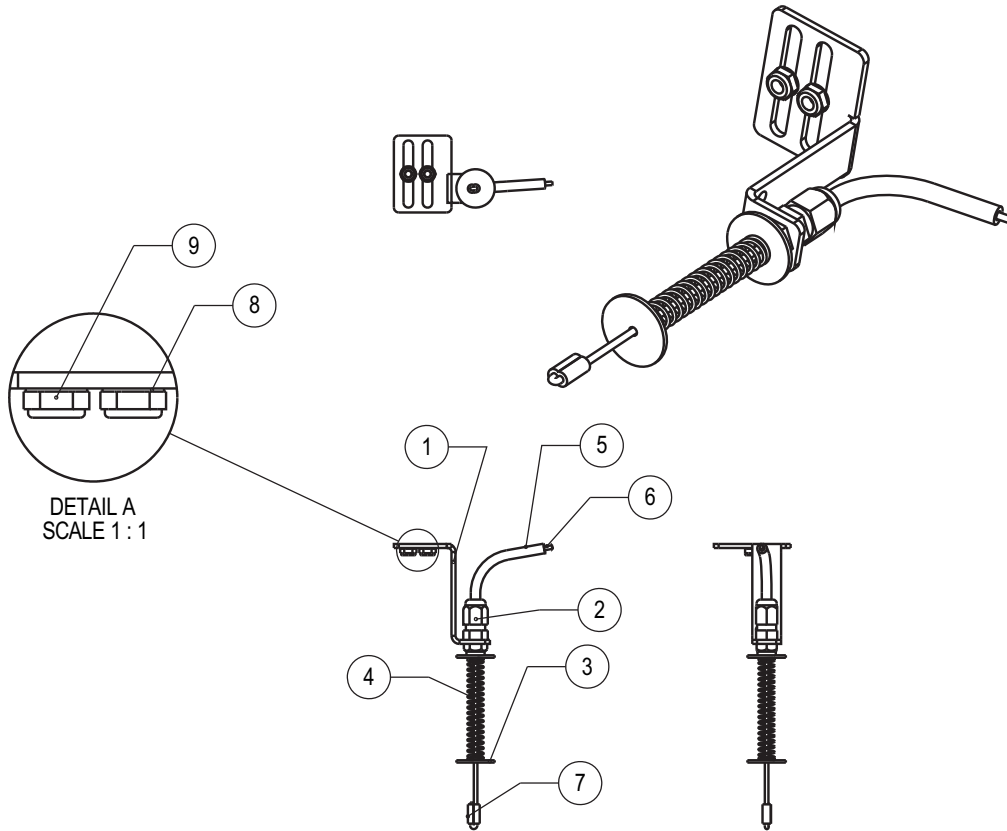
Item	Part number	Description
1	105554	TURNBUCKLE
2	V0100091	TENSIONER_CHAIN B07
3	102186	NUT_HEX 3/8-16
4	101059	PIN_COTTER 3/32 x 1
5	105553	CHAIN_CONN LINK #50 2 PIN
--	105552	CHAIN_#50 ANSI
6	102951	NUT_HEX 5/16-18 NYLOK
7	106787	NUT_HEX 3/8-16 LH

## Bracket-spring assembly (for cable) - 320658



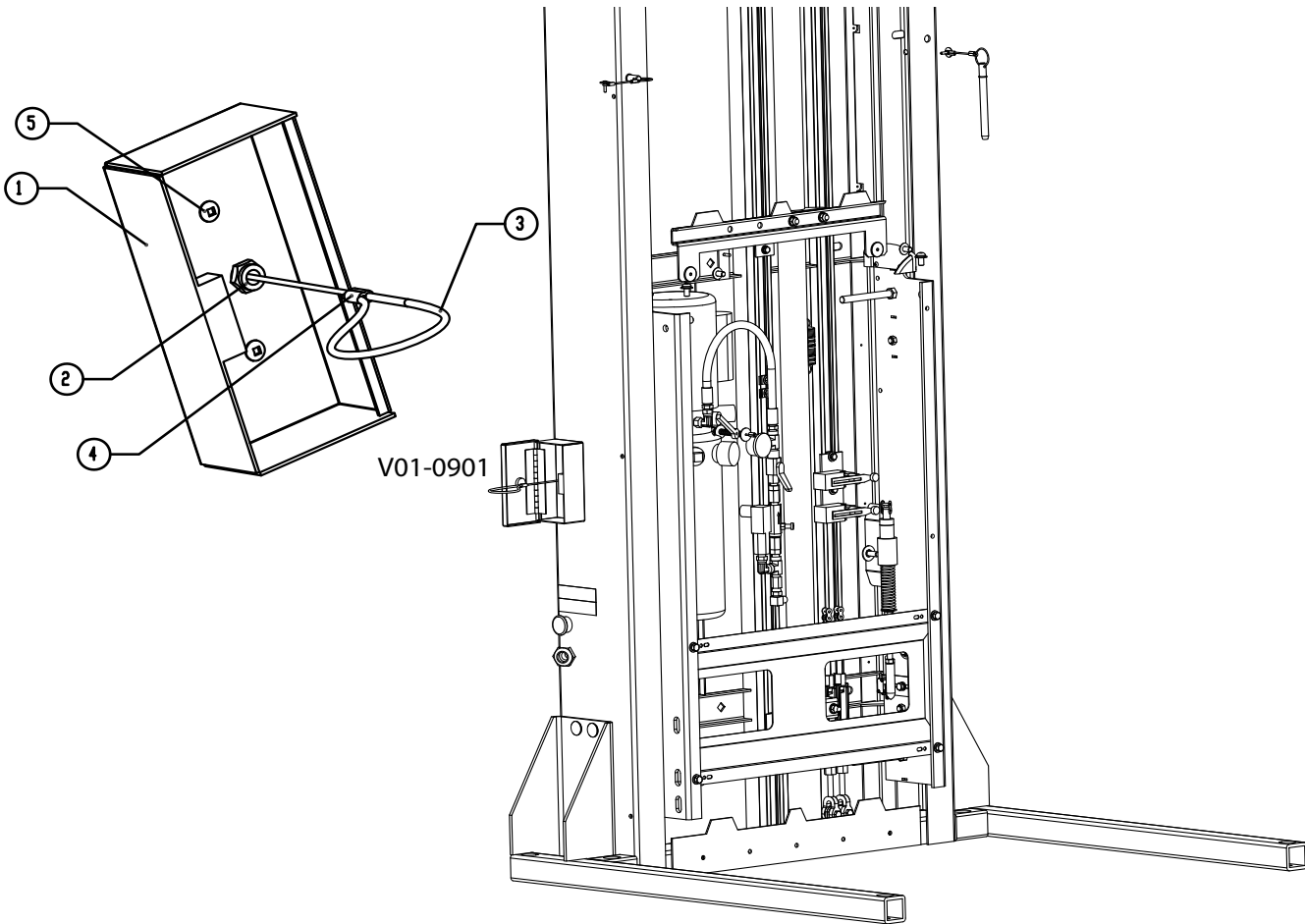
Item	Part number	Description
1	V0100203	ANGL_PLATE V1504
2	101097	NUT_SPNG STRUT LOCK 1/4-20
3	101196-Y	WSHR_FLT 1/4 USS YLW ZINC HRD
4	101213-Y	WSHR_LCK 1/4 YLW ZINC
5	101836	HHCS_1/4-20 x 3/4
6	105583	SPNG_EXT TRV CBL
7	105613	CLAMP_3/4" TUBE DIA .203"HOLE

## Manual lowering cable assembly - 320689



Item	Part number	Description
1	V0100017	SPRT_CBL MANUAL LWRNG
2	105544	STRN_RLF CON .114-.250" .492"D
3	V0100243	WSHR_FLT 1/8" X 1"OD 1/16"THK
4	V0100242	SPNG_COMP 2.670L .045D .422EXT
5	103157	CBL_CARRIER .09id X .188od
6	102791	CBL_WIRE ROPE .06sst rgb23"
7	101238	SLEEVE_CABLE 1/16 ALUM
8	101206	WSHR_FLT #8 SAE ZINC
9	104400	NUT_HEX 10-24 NYLOK S/S

## Manual lowering box assembly - V01-0901

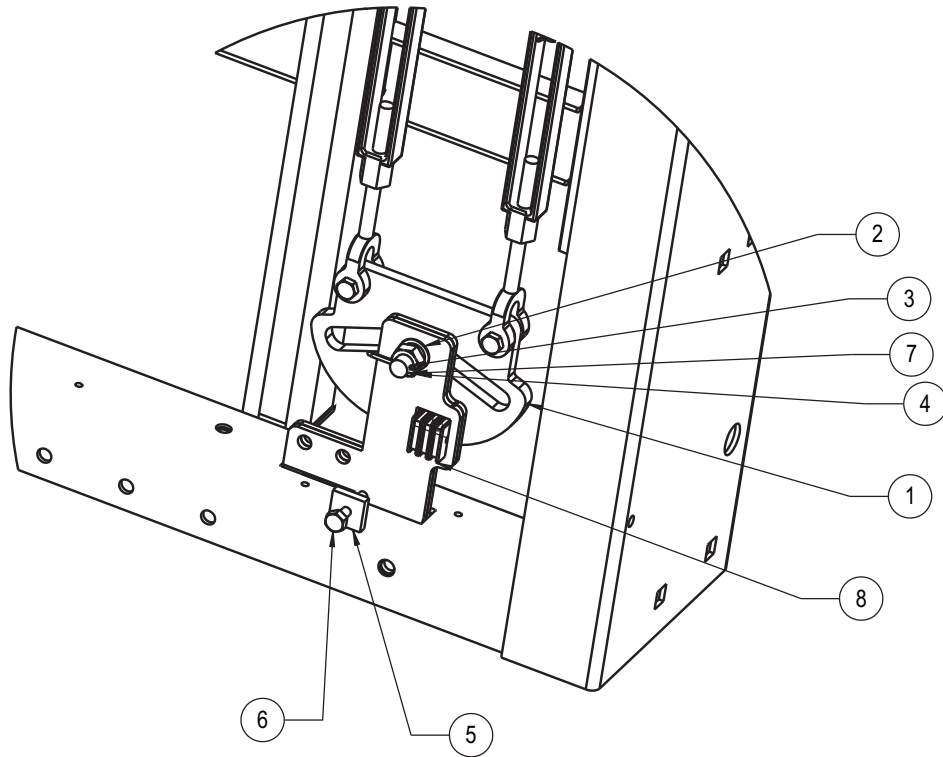


Item	Part number	Description
1	V01-0901	BOX_MAN LOWERING ASSY
2	105544	STRN_RLF CON .114-.250" .492"D
3	243307	TUBE_POLY 15"
4	105576	SLEEVE_CABLE 3/32 ALUM
5	105418	SCRW_SM PHR #8X3/4 BARE

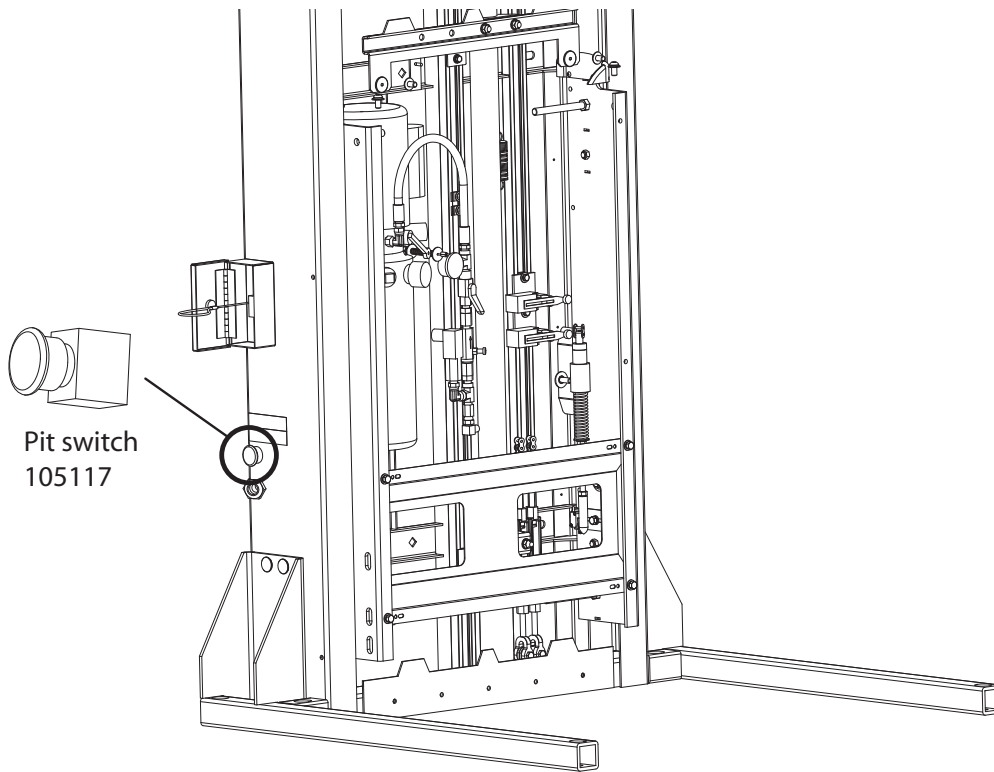
## Manual lowering kit - 243234

Part number	Description
101238	SLEEVE_CABLE 1/16 ALUM
105544	STRN_RLF CON .114-.250" .492"D
103157	CBL_CARRIER .09id X .188od
105418	SCRW_SM PHR #8X3/4 BARE

## Safety wheel kit - 320603

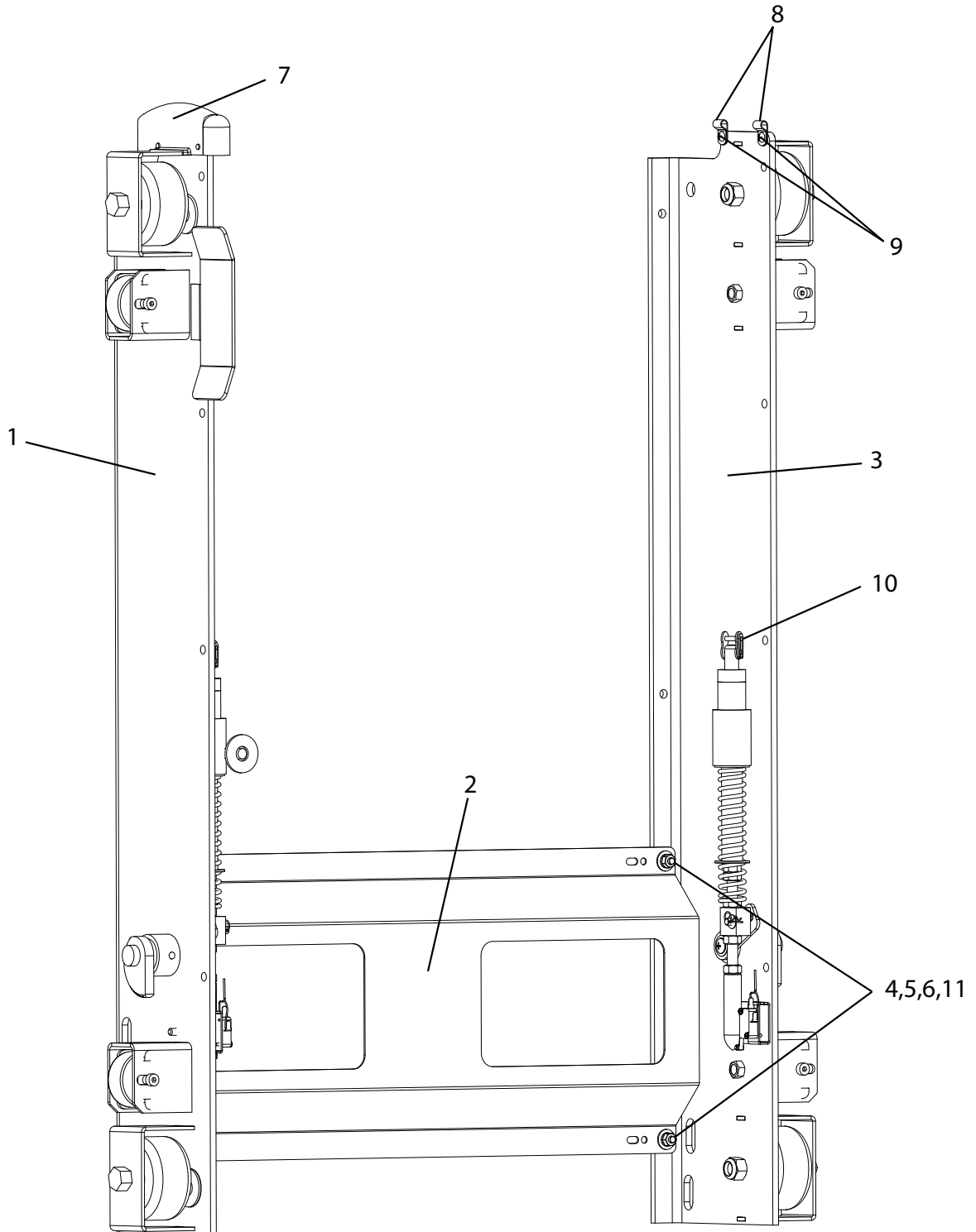


Item	Part number	Description
1	320600	SAFETIES_WHEEL V-1504 B355
2	103944	WSHR_FLT .656IDx.875ODx.031 THK
3	320277	SCRW_SHLDR 5/8"X1"X1/2-13 W/HL
4	105315-Y	NUT_HEX 1/2-13 JAM NYLK YLW ZN
5	320276	PLT_SFTY SET UP V1504 B355
6	102344-Y	HHCS_ 1/4-20 x1 1/4 YLW ZNC
7	101832	PIN_COTTER 1/8 x 1
8	105309	MAGNET_1.06 X .83
9	000778	BULLETIN_TECH SFTY BRK TST

**Pit switch - 105117**

Item	Part number	Description
1	320719	HRNS_SWITCH PIT

## Spreader assembly skates - 320657

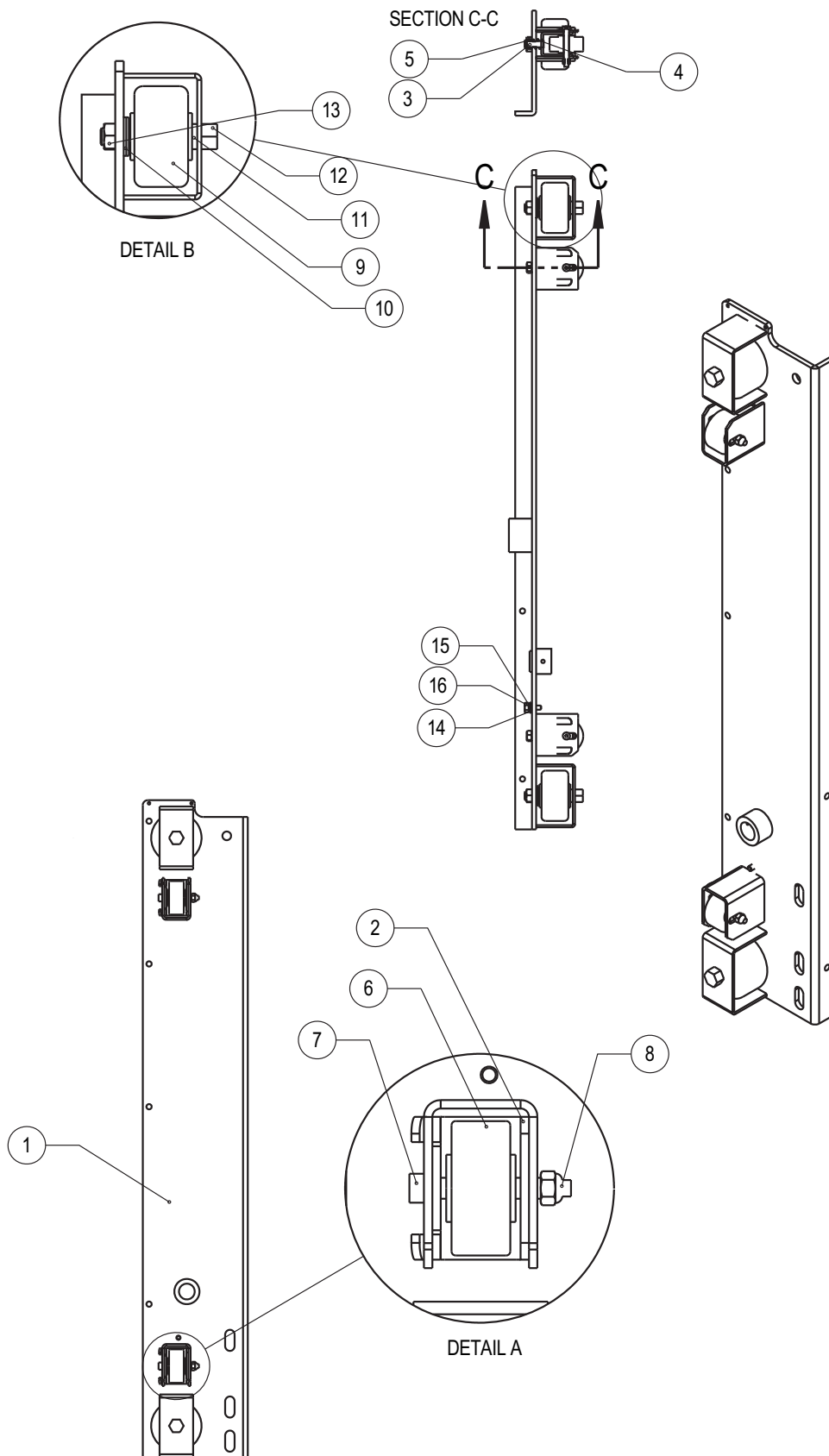


## Spreader assembly skates - 320657

Item	Part number	Description	Photo
1	242921	SKATE_V-1504 LH ASSY	
2	242860	SPRD_SKATE V-1504	
3	242924	SKATE_V-1504 RH ASSY	
4	101196-Y	WSHR_FLT 1/4 USS YLW ZINC HRD	
5	101213-Y	WSHR_LCK 1/4 YLW ZINC	
6	101836-Y	HHCS_1/4-20 X 3/4 YLW ZNC	
7	V0100240	CVR_NARROW WIRE FENCE BLK	
8	106317	CLAMP_1/4" COL CUSHION	
9	103179	MS_RH #10-24x0.50" PLPS ZNC	
10	105553	CHAIN_CONN LINK #50 2 PIN	
11	102205	NUT_HEX 1/4-20	
12	243168	HRNS_V1504 SLACK CHAIN	
13	V01-0207	BRKT_SFTY LIMIT SW HARNESS	
14	103116	SW_POS ACT W/RLLR BVM3FYR1	



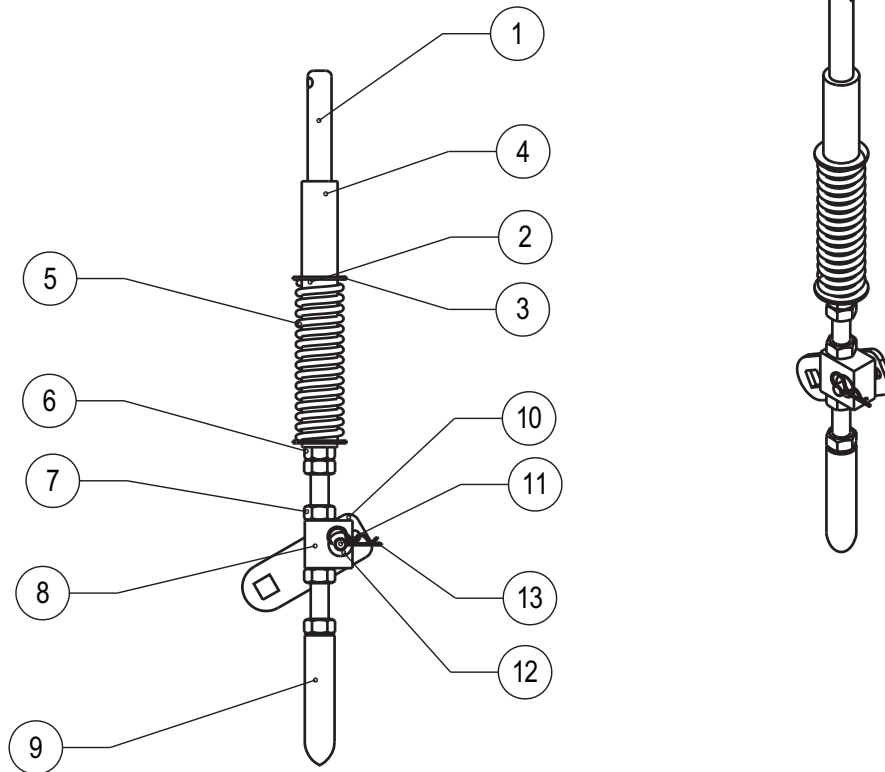
# Left-hand skate wheel assembly - 320668



## Left-hand skate wheel assembly - 320668

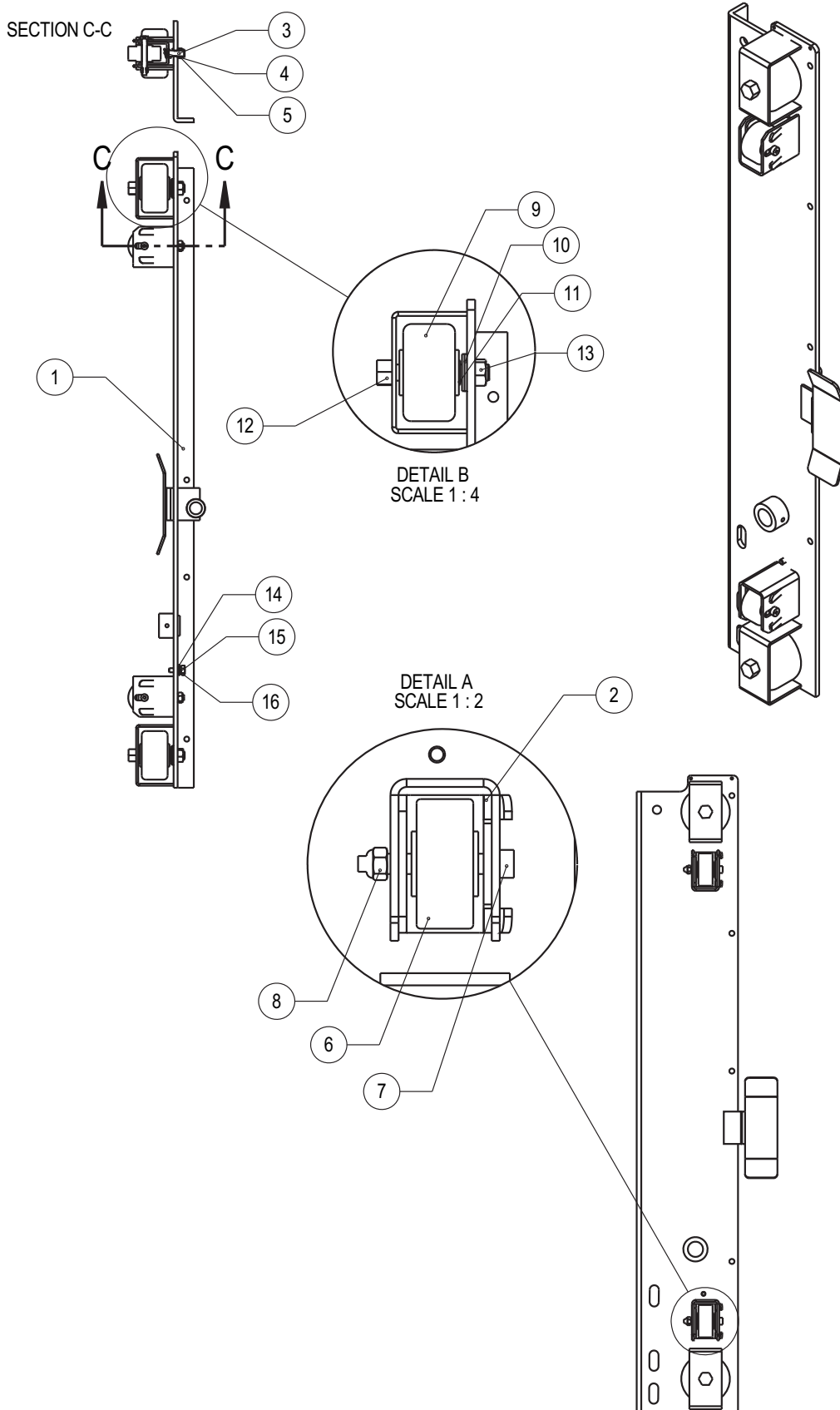
Item	Part number	Description
1	242922	SKATE_V-1504 LH W/A
2	V01-0213	SPRT_WHEEL 2" V-1504 & TELECAB
3	103545	SCRW_SET 3/8-16x1.00 DOG POINT
4	MA2AADBC	SPNG_1/2" X 3/4L
5	102186	NUT_HEX 3/8-16
6	V01-0230	WHEEL_2" DELRIN SKATE V-1504
7	MA2AJ	BOLT_SHLDR 5/16 X 1 3/4 STRIP
8	101930	NUT_HEX 1/4-20 NYLOK
9	MA2AB	WHEEL_3" PHENLC W/BRNG 3-3-319
10	102189	WSHR_FLT 1/2 USS
11	243347	BSHG_WHEEL GUIDE
12	105314	HHCS_1/2-13 x 3 GR5 ZINC
13	105315-Y	NUT_HEX 1/2-13 JAM NYLK YLW ZN
14	101196	WSHR_FLT 1/4 USS
15	101213	WSHR_LCK 1/4 MED SPLT ZNC
16	101836	HHCS_1/4-20 x 3/4

## Left-hand skate safety assembly - 320686



Item	Part number	Description
1	V01-0202	ROD_ATTACHMENT
2	V01-0203	GUIDE_SPRING
3	104487	WSHR_FLT 1/2 SMALLOD S/S
4	105610	BSHG_3/4 X 2 X 1/2
5	105611	SPNG_COMP SKATE 5" X 1"
6	105283-Y	NUT_FLANGE 3/8-16 YLW ZINC
7	102186	NUT_HEX 3/8-16
8	V01-0204	BLOCK_ADJUSTING SKATE
9	V01-0206	ACTUATOR_LIMIT
10	V01-0208	PIVOT_PLATE YELLOW ZINC
11	103558	PIN_CLEVIS 1/4x1.0"
12	101210	WSHR_FLT #10 ZINC
13	103660	CLIP_HITCH PIN 1/4-1/2SD 1/16W

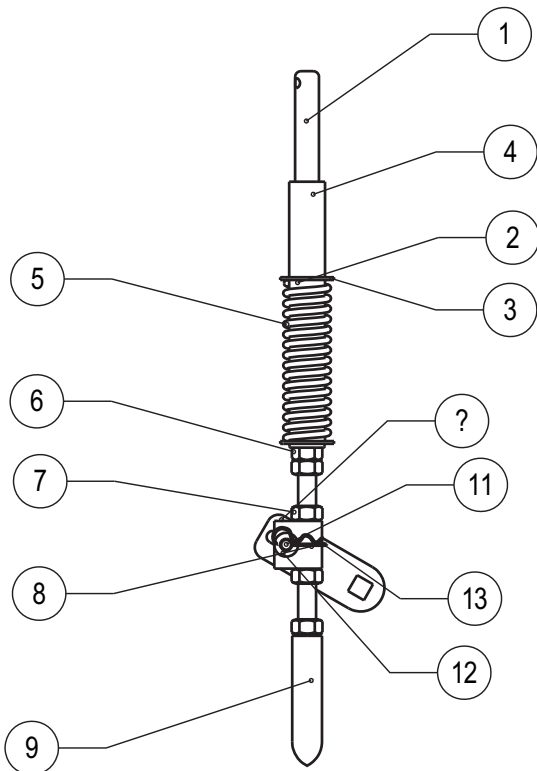
# Right-hand skate wheel assembly - 320687



## Right-hand skate wheel assembly - 320687

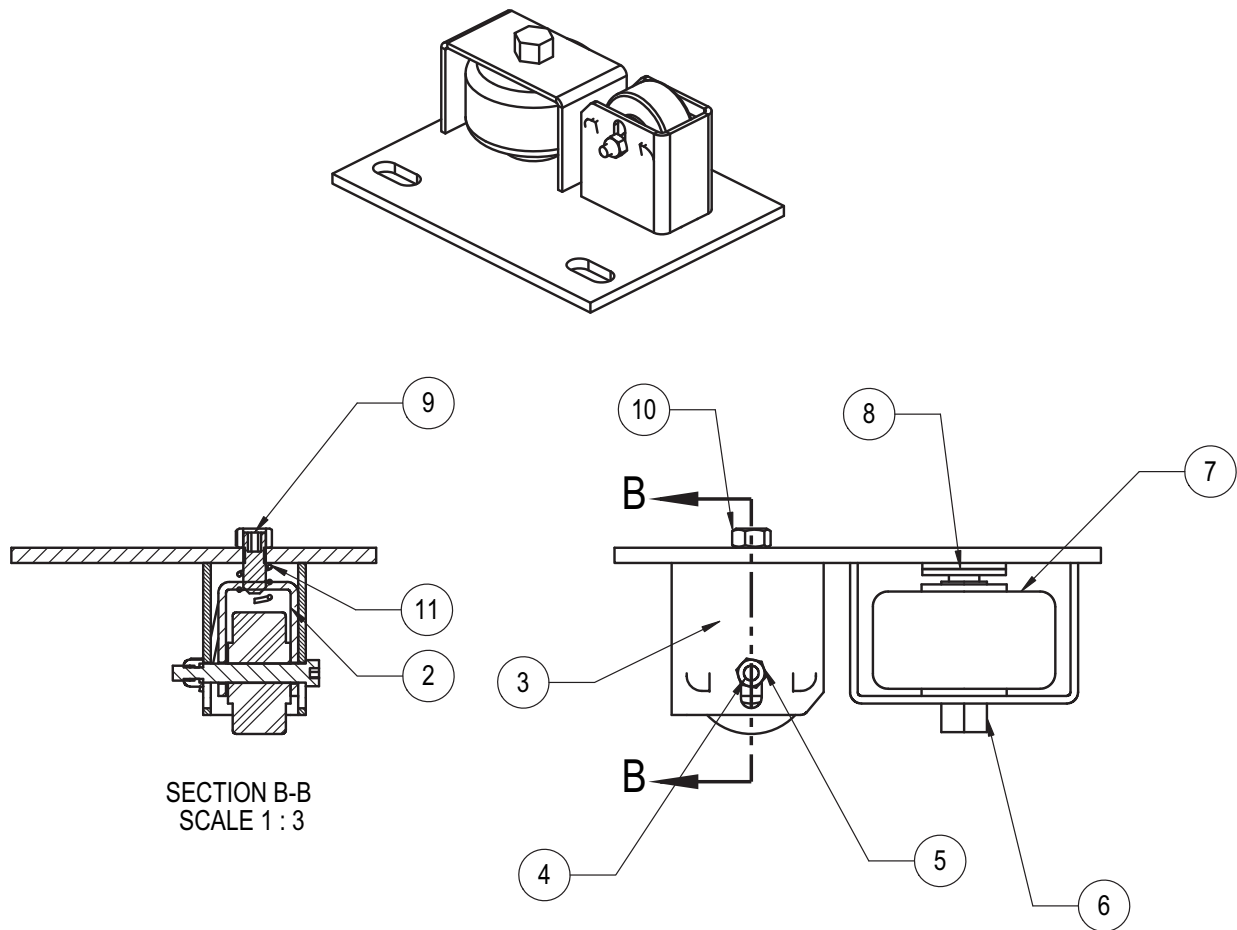
Item	Part number	Description
1	242925	SKATE_V-1504 RH W/A
2	V01-0213	SPRT_WHEEL 2" V-1504 & TELECAB
3	103545	SCRW_SET 3/8-16x1.00 DOG POINT
4	MA2AADBC	SPNG_1/2" X 3/4L
5	102186	NUT_HEX 3/8-16
6	V01-0230	WHEEL_2" DELRIN SKATE V-1504
7	MA2AJ	BOLT_SHLDR 5/16 X 1 3/4 STRIP
8	101930	NUT_HEX 1/4-20 NYLOK
9	MA2AB	WHEEL_3" PHENLC W/BRNG 3-3-319
10	102189	WSHR_FLT 1/2 USS
11	243347	BSHG_WHEEL GUIDE
12	105314	HHCS_1/2-13 x 3 GR5 ZINC
13	105315-Y	NUT_HEX 1/2-13 JAM NYLK YLW ZN
14	101196	WSHR_FLT 1/4 USS
15	101213	WSHR_LCK 1/4 MED SPLT ZNC
16	101836	HHCS_1/4-20 x 3/4

## Right-hand skate safety assembly - 320685



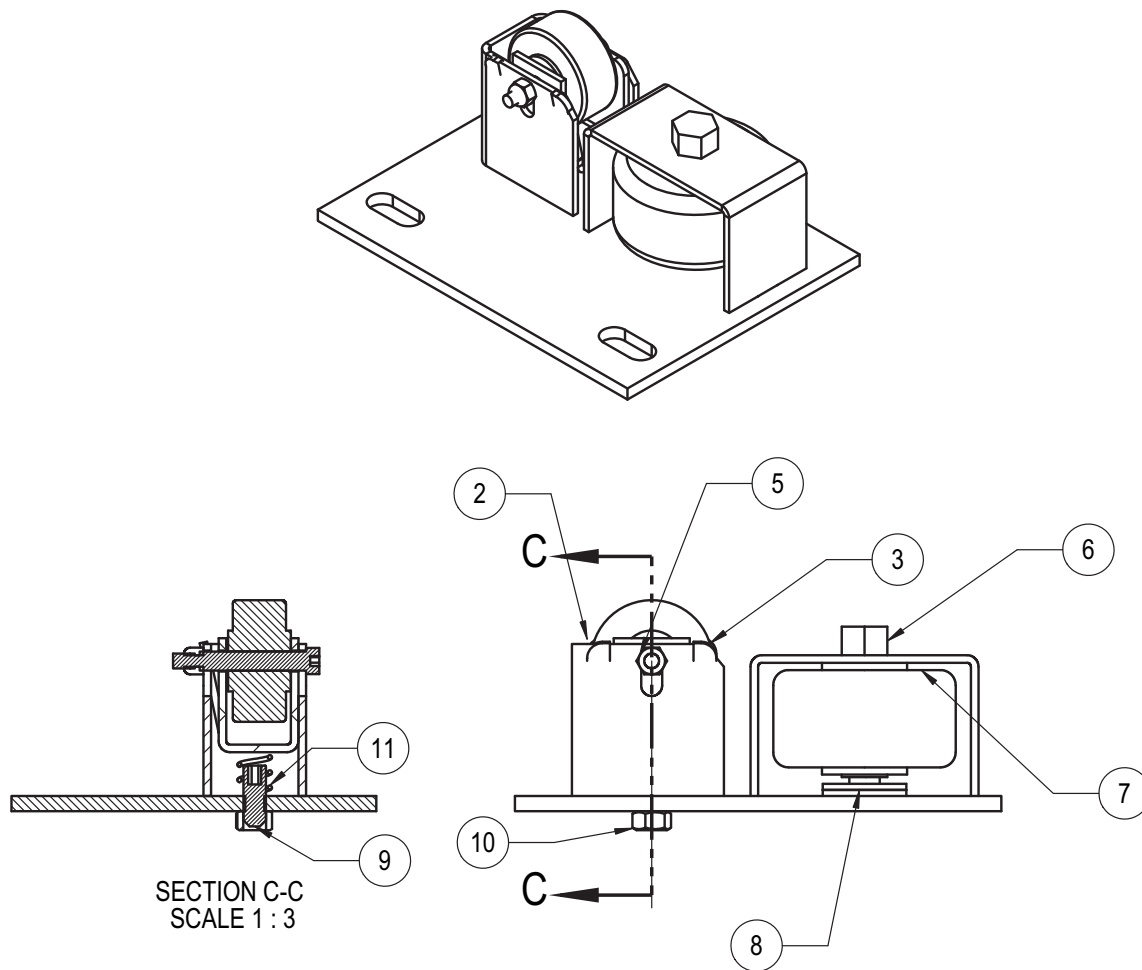
Item	Part number	Description
1	V01-0202	ROD_ATTACHMENT
2	V01-0203	GUIDE_SPRING
3	104487	WSHR_FLT 1/2 SMALLOD S/S
4	105610	BSHG_3/4 X 2 X 1/2
5	105611	SPNG_COMP SKATE 5" X 1"
6	105283-Y	NUT_FLANGE 3/8-16 YLW ZINC
7	102186	NUT_HEX 3/8-16
8	V01-0204	BLOCK_ADJUSTING SKATE
9	V01-0206	ACTUATOR_LIMIT
10	V01-0208	PIVOT_PLATE YELLOW ZINC
11	103558	PIN_CLEVIS 1/4x1.0"
12	101210	WSHR_FLT #10 ZINC
13	103660	CLIP_HITCH PIN 1/4-1/2SD 1/16W

## Right-hand skate assembly (small) - 244254



Item	Part number	Description
1	TAC12-110	SKATE_SMALL RH TELECAB
2	V01-0213	SPRT_WHEEL 2"
3	V01-0230	WHEEL_2" DELRIN SKATE
4	MA2AJ	BOLT_SHLDR 5/16 X 1 3/4 STRIP
5	101930	NUT_M6-1.0
6	102974-Y	HHCS_1/2-13 X2 1/2 GR5 YLW ZNC
7	MA2AB	WHEEL_3" PHENLC W/BRNG 3-3-319
8	102189	WSHR_FLT 1/2 USS
9	103545	SCRW_SET 3/8-16x1.00 DOG POINT
10	102186	NUT_HEX 3/8-16
11	MA2AADBC	SPNG_1/2" X 3/4L

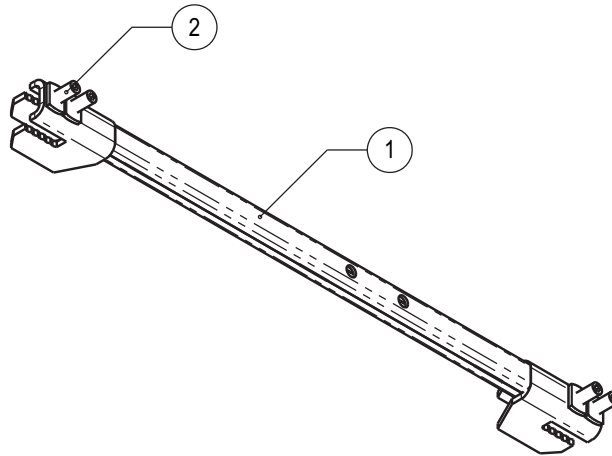
## Left-hand skate assembly (small) - 244255



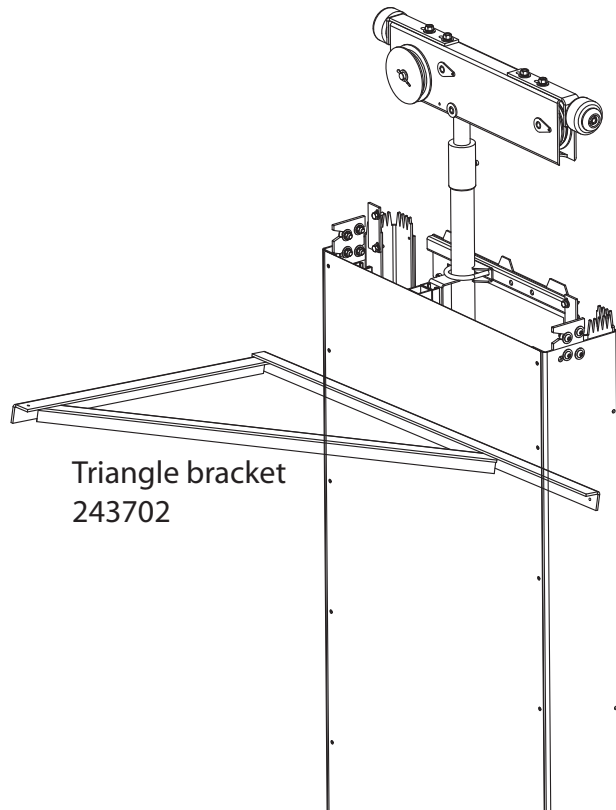
Item	Part number	Description
1	TAC12-210	SKATE_SMALL LH TELECAB
2	V01-0213	SPRT_WHEEL 2"
3	V01-0230	WHEEL_2" DELRIN SKATE
4	MA2AJ	BOLT_SHLDR 5/16 X 1 3/4 STRIP
5	101930	NUT_M6-1.0
6	102974-Y	HHCS_1/2-13 X2 1/2 GR5 YLW ZNC
7	MA2AB	WHEEL_3" PHENLC W/BRNG 3-3-319
8	102189	WSHR_FLT 1/2 USS
9	103545	SCRW_SET 3/8-16x1.00 DOG POINT
10	102186	NUT_HEX 3/8-16
11	MA2AADBC	SPNG_1/2" X 3/4L



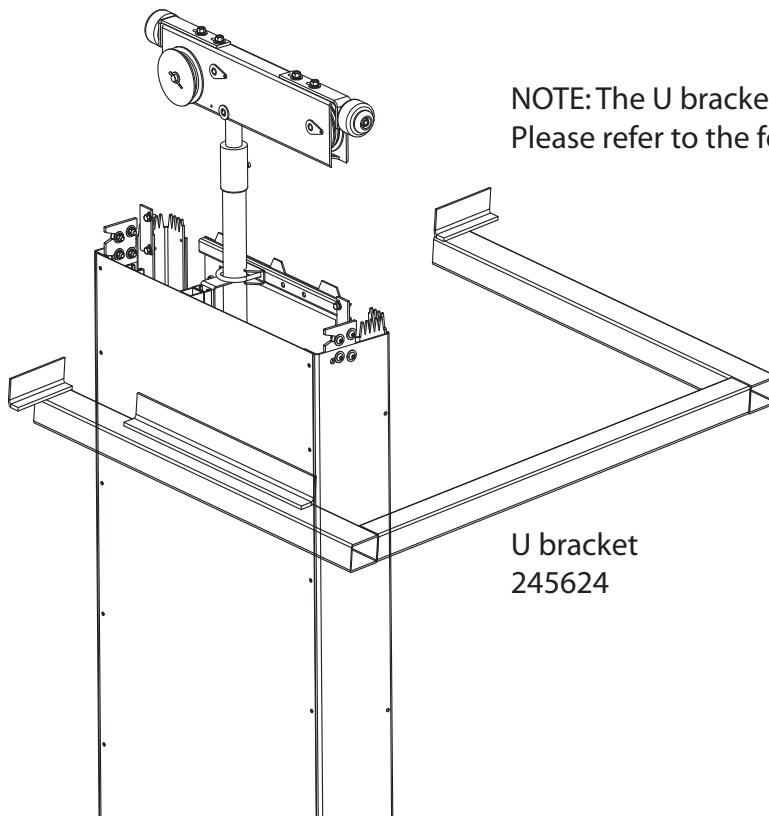
## Final stopper assembly - 320659



Item	Part number	Description
1	242930	STOP_CYL ADJUST ASSY V-1504
2	109021	SCRW_SET 1/2-13 X 1.25 BLK OXD

**Triangle bracket (to secure unanchored tower to wall) - 243702**

Triangle bracket  
243702

**U bracket (to secure unanchored tower to wall) - 245624**

NOTE: The U bracket is always custom-made.  
Please refer to the footprint for your job.

U bracket  
245624

---

**Triangle or U-bracket H/W kit - 320727**

<b>Part number</b>	<b>Description</b>
102188-Y	WSHR_FLT 3/8 USS YLW ZINC
102191-Y	WSHR_LCK 3/8 YLW ZINC
102201-Y	HHCS_3/8-16 x 1 1/4 YLW ZINC
102186	NUT_HEX 3/8-16
105418-Y	SCRW_SM PHR #8X3/4 TEK YLW ZNC

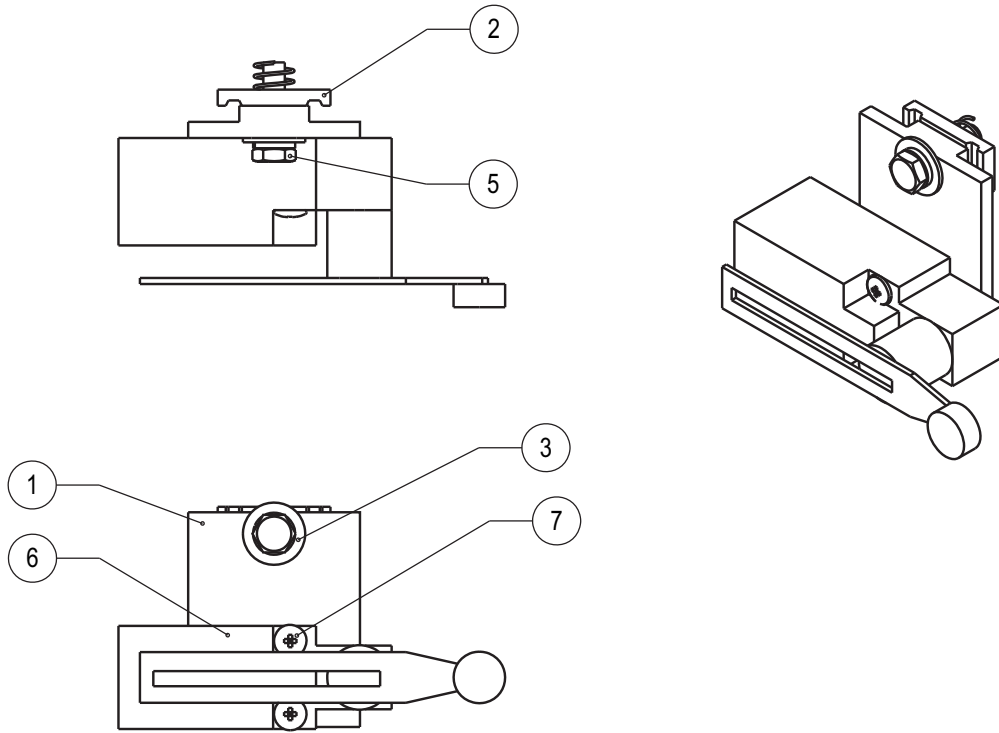
## Limit switches


Part number	Description
320690	SW_LIMIT BLUE V-1504
320691	SW_LIMIT GREY V-1504
320617	SW_BTMT V-1504
320618	SW_MDL V-1504
320619	SW_TOP V-1504

## Limit switch harnesses/cables

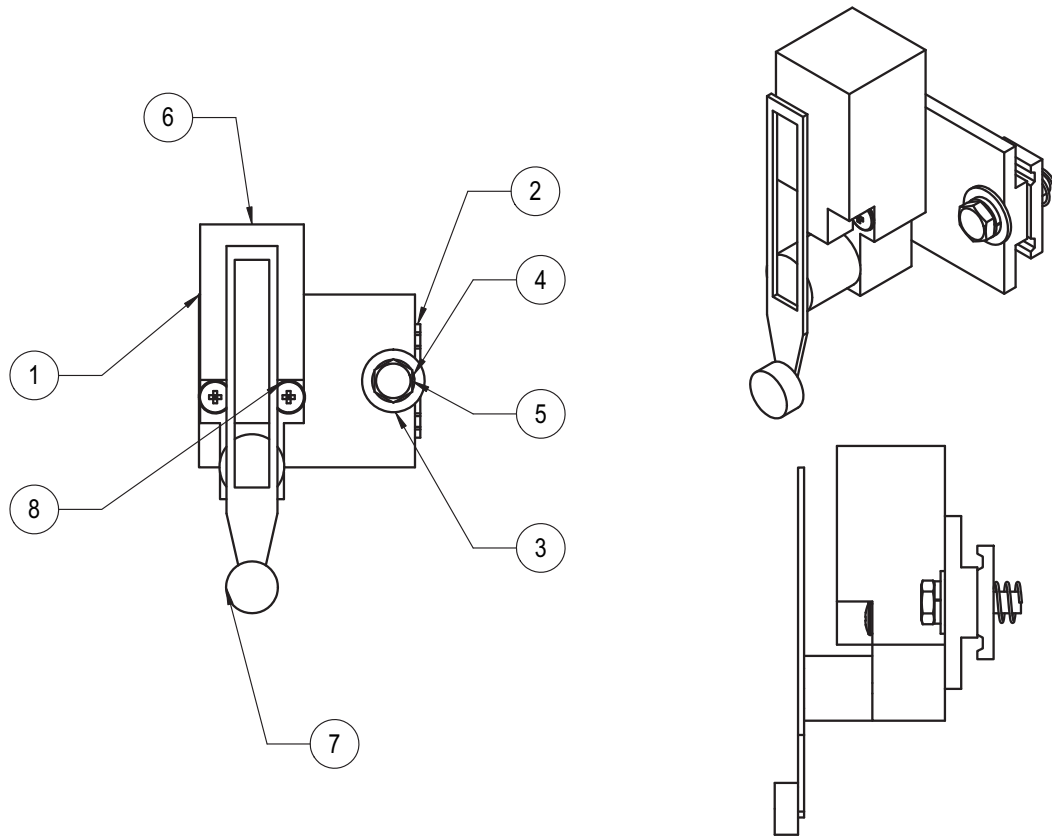
Part number	Description
243171	HRNS_V1504 NLU/FNL LMT BASE
243755	HRNS_V-1504 TOP LMT/FL +46
243757	HRNS_V-1504 TOP LMT/FL +94
243758	HRNS_V-1504 TOP LMT/FL +94+22
320768	CBL_20AWG 12 COND GREY JKT
243170	HRNS_V1504 TOP DZ/AC BASE
243759	HRNS_V-1504 TOP DZ/AC BASE +46
243761	HRNS_V-1504 TOP DZ/AC +94
243762	HRNS_V-1504 TOP DZ/AC +94+22
320760	CBL_18AWG 4 COND JKT

**Limit switch, blue - 320690**



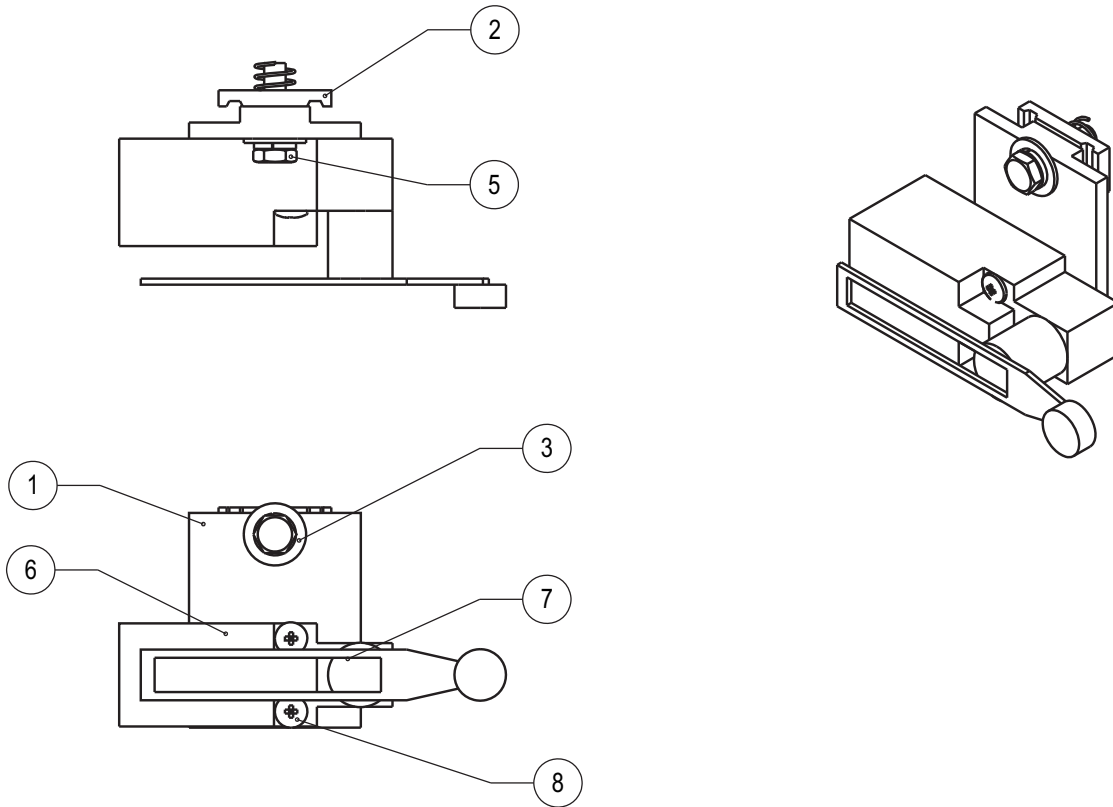
Item	Part number	Description	Photo
1	V01-1110	SPRT_LIMIT SW V-1504	
2	101097	NUT_SPNG STRUT LOCK 1/4-20	
3	101196-Y	WSHR_FLT 1/4 USS YLW ZINC HRD	
4	101213-Y	WSHR_LCK 1/4 YLW ZINC	
5	103398	HHCS_1/4-20 x 1 F/T	
6	105548	SW_LMT NO/NC W/RLR ARM	
7	105608	MS_PHP 10-24 X 1	
8	105298	CON_SEAL TWR CC-NPT-12-B	


## Limit switch, NC/NC - 323007



Item	Part number	Description
1	V01-1110	SPRT_LIMIT SW V-1504
2	101097	NUT_SPNG STRUT LOCK 1/4-20
3	101196-Y	WSHR_FLT 1/4 USS YLW ZINC HRD
4	101213-Y	WSHR_LCK 1/4 YLW ZINC
5	103398	HHCS_1/4-20 x 1 F/T
6	106828	SW_LMT NC/NC W/RLR ARM
7	105608	MS_PHP 10-24 X 1

**Limit switch, grey - 320691**



Item	Part number	Description	Photo
1	V01-1110	SPRT_LIMIT SW V-1504	
2	101097	NUT_SPNG STRUT LOCK 1/4-20	
3	101196-Y	WSHR_FLT 1/4 USS YLW ZINC HRD	
4	101213-Y	WSHR_LCK 1/4 YLW ZINC	
5	103398	HHCS_1/4-20 x 1 F/T	
6	106471	SW_LMT NO/NO W/RLR ARM	
7	105608	MS_PHP 10-24 X 1	
8	105298	CON_SEAL TWR CC-NPT-12-B	

## Controller assembly



### Controller assemblies

Part number	Description
324712	CNTRLR_V-1504 24V/110V (CURRENT)
323711-L	CNTRLR_V-1504 110V, LIGHT (2014)
323712-L	CNTRLR_V-1504 24V, LIGHT (2014)
323008-L	CNTRLR_V-1504 110V, LIGHT (2014)
323009-L	CNTRLR_V-1504 24V, LIGHT (2014)

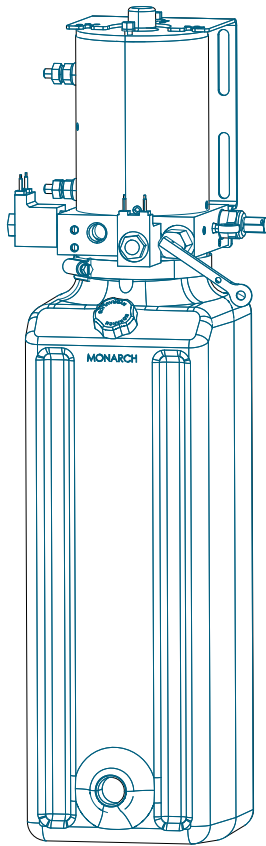
### Controller attachment kit - 320710

Part number	Description
105491	NUT_HEX 10-24 NYLOK JAM
101210	WSHR_FLT #10 ZINC
245496	HRNS_V1504 CNTRL BOX GROUND
105544	STRN_RLF CON .114-.250" .492"D
243162	HRNS_V1504 ALARM
631071	WIRE_JOINT LARGE (TYCO 35653)
105353	CON_CABLE 1/2" PLASTIC

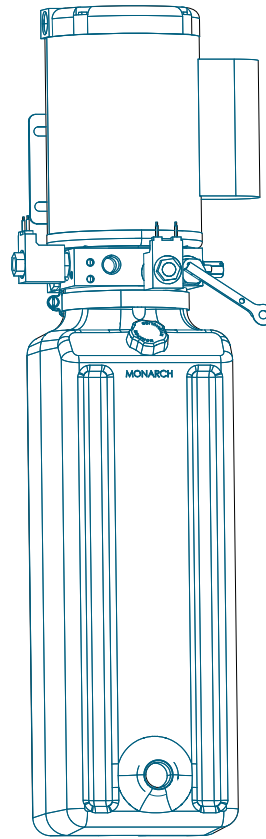


## Hydraulics (new version)

### Pump assemblies



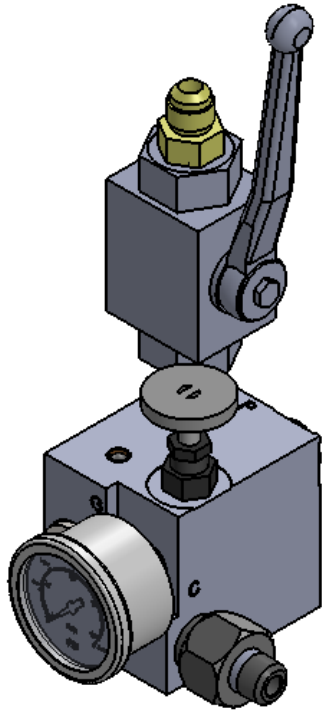
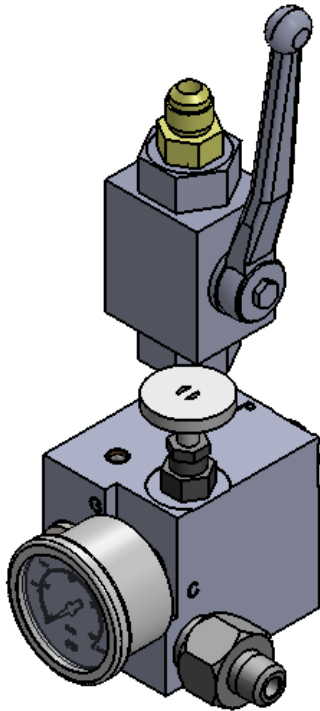
24V PUMP  
109322  
109323



110/220V PUMP  
109124  
109125

Part number	Description
109322	PUMP_24V 2" ID 16.5 FPM
109323	PUMP_24V 1.5" ID 16.5 FPM
109124	PUMP_110\220V 2" ID 18FPM
109125	PUMP_110\220V 1.5"ID 18FPM
ZVH10-D24	VALVE_COMPLETE DOWN, 24V
ZVH10-U24	VALVE_COMPLETE UP, 24V

---

**Manifold assembly 2" piston, 18 fpm - 109328****Manifold assembly 1.5" piston, 16 fpm - 109329**

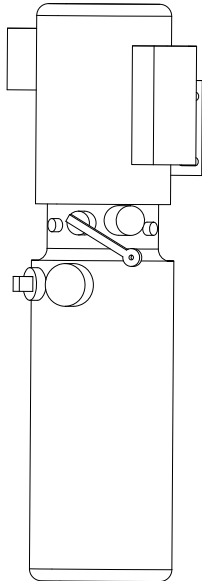
## Hydraulic items

Part number	Description	Photo
109140	FUSE_VELOCITY 2.25 GPM (PIPE RUPTURE VALVE)	
109141	FUSE_VELOCITY 1.19 GPM (PIPE RUPTURE VALVE)	
320260	HOSE_ASSY MANIFOLD GH781-4	
320260-O	HOSE_ASSY MANIFOLD GH781-4	
320695	PIPE_HARD V-1504	
104914	CON_MALE-MALE 1/4" NPT	
105333	HOSE_END #4 HOSE 1/4" NPT	
105334	HOSE_GH781-4 AEROQUIP	
105336	HOSE_END #4 HOSE JIC #6 SWIV	

Part number	Description	Photo
104858	ELBOW_1/4 NPT FEMALE/MALE	
106431	FITTINGS_EL BOW 90DEG 37 DEG	
105739	SW_NEG PRESSURE SWITCH V1504	
102231	ADPTR_1/4" NPTX#6 2021-6S	
105559	ADPTR 1/4 FEM 3/8 MALE NPT	
105474	NUT_FLANGE 1/4-20	
243316	SCRW_THUMB 3/8-16 UNC DRILLED	
105547	CON_EMT 1/2" 1 ACRW CI71	
109177	TANK_11" LONG (232 CU IN)	
109178	BREATHER 3/4 NPT	
106669	CVR_PLASTIC SMALL 1 PC RED	
246941	HRNS_BLANKET HEATER 110V VPL	
246942	HRNS_BLANKET HEATER 220V VPL	

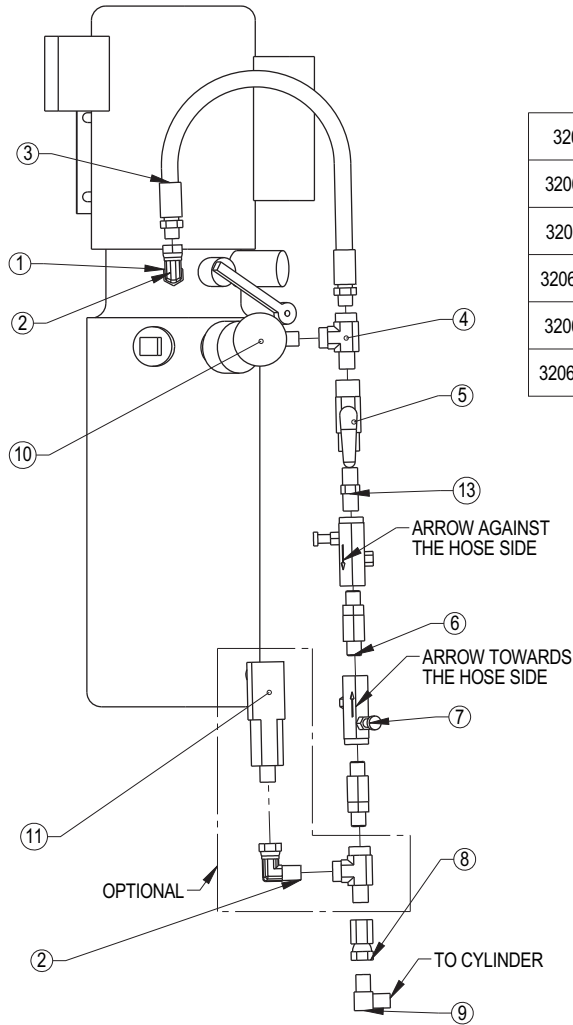
## Hydraulics (old version) - prior to 2011

### Pump assemblies



Part number	Description
105566	PUMP_110V STD
105694	PUMP_12V W/ELEC LOWERING
105818	PUMP_12V FOR MAN LOWERING
105819	PUMP_220V 50HZ V-1504

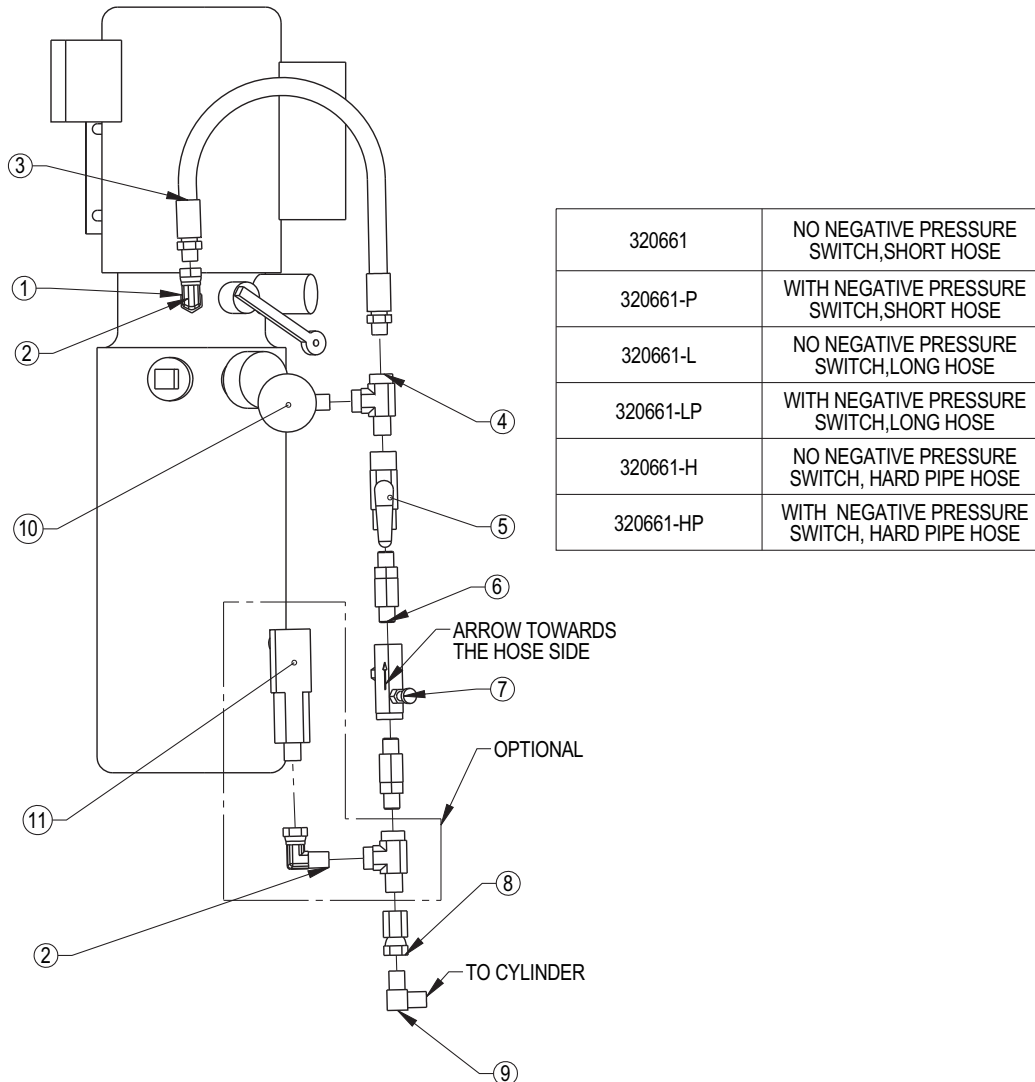
## Hydraulics, 12V public USA, short hose - 320660



320660	NO NEGATIVE PRESSURE SWITCH,SHORT HOSE
320660-P	WITH NEGATIVE PRESSURE SWITCH,SHORT HOSE
320660-L	NO NEGATIVE PRESSURE SWITCH,LONG HOSE
320660-LP	WITH NEGATIVE PRESSURE SWITCH,LONG HOSE
320660-H	NO NEGATIVE PRESSURE SWITCH,HARD PIPE HOSE
320660-HP	WITH NEGATIVE PRESSURE SWITCH,HARD PIPE HOSE

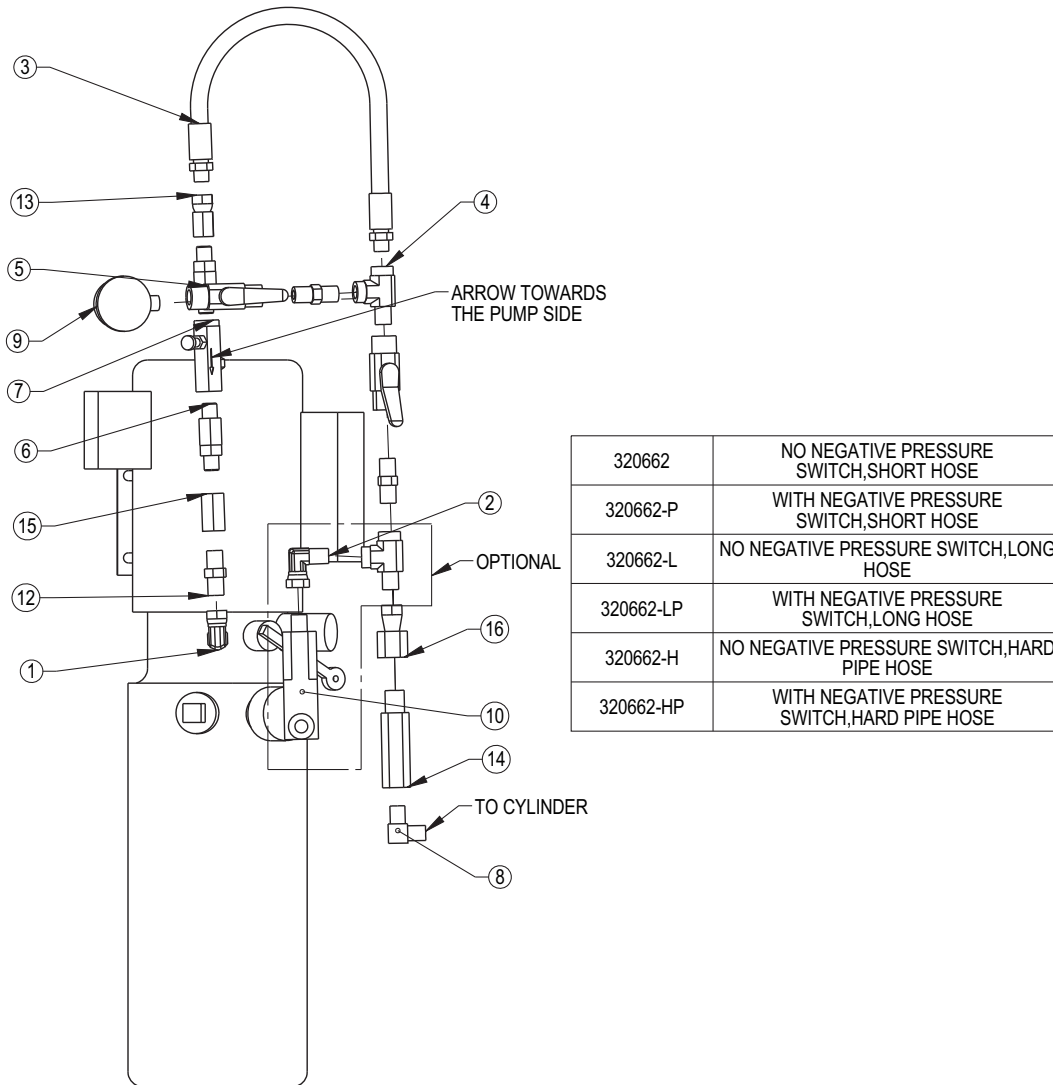
Item	Part number	Description
1	105559	ADPTR_1/4 FEM 3/8 MALE NPT
2	105558	ADPTR_1/4 NPT 90DEG MALE/FML
3	105562	HOSE_ASSY 100R2 28" 1/4NPT M/M
4	105561	ADPTR_1/4 NPT TEE FML/FML/MALE
5	726026	VALVE_BALL GEM 1/4 NPT 1111AB
6	105563	FILTER_OIL
7	104908	VALVE_FLO CNTRL F20SK 1/4"NPT
8	105557	ADPTR_1/4 NPT SWIVEL FEM/FEM
9	105560	ADPTR_1/4 NPT 90DEG MALE/MALE
10	105556	GAUGE_PRESSURE 2000 PSI SML RDR
13	104914	CON_MALE-MALE 1/4" NPT

## Hydraulics, 110V public USA, short hose - 320661



Item	Part number	Description
1	105559	ADPTR_1/4 FEM 3/8 MALE NPT
2	105558	ADPTR_1/4 NPT 90DEG MALE/FML
3	105562	HOSE_ASSY 100R2 28" 1/4NPT M/M
4	105561	ADPTR_1/4 NPT TEE FML/FML/MALE
5	726026	VALVE_BALL GEM 1/4 NPT 1111AB
6	105563	FILTER_OIL
7	104908	VALVE_FLO CNTRL F20SK 1/4"NPT
8	105557	ADPTR_1/4 NPT SWIVEL FEM/FEM
9	105560	ADPTR_1/4 NPT 90DEG MALE/MALE
10	105556	GAUGE_PRESSURE 2000 PSI SML RDR

## Hydraulics, 110V public BC, short hose - 320662



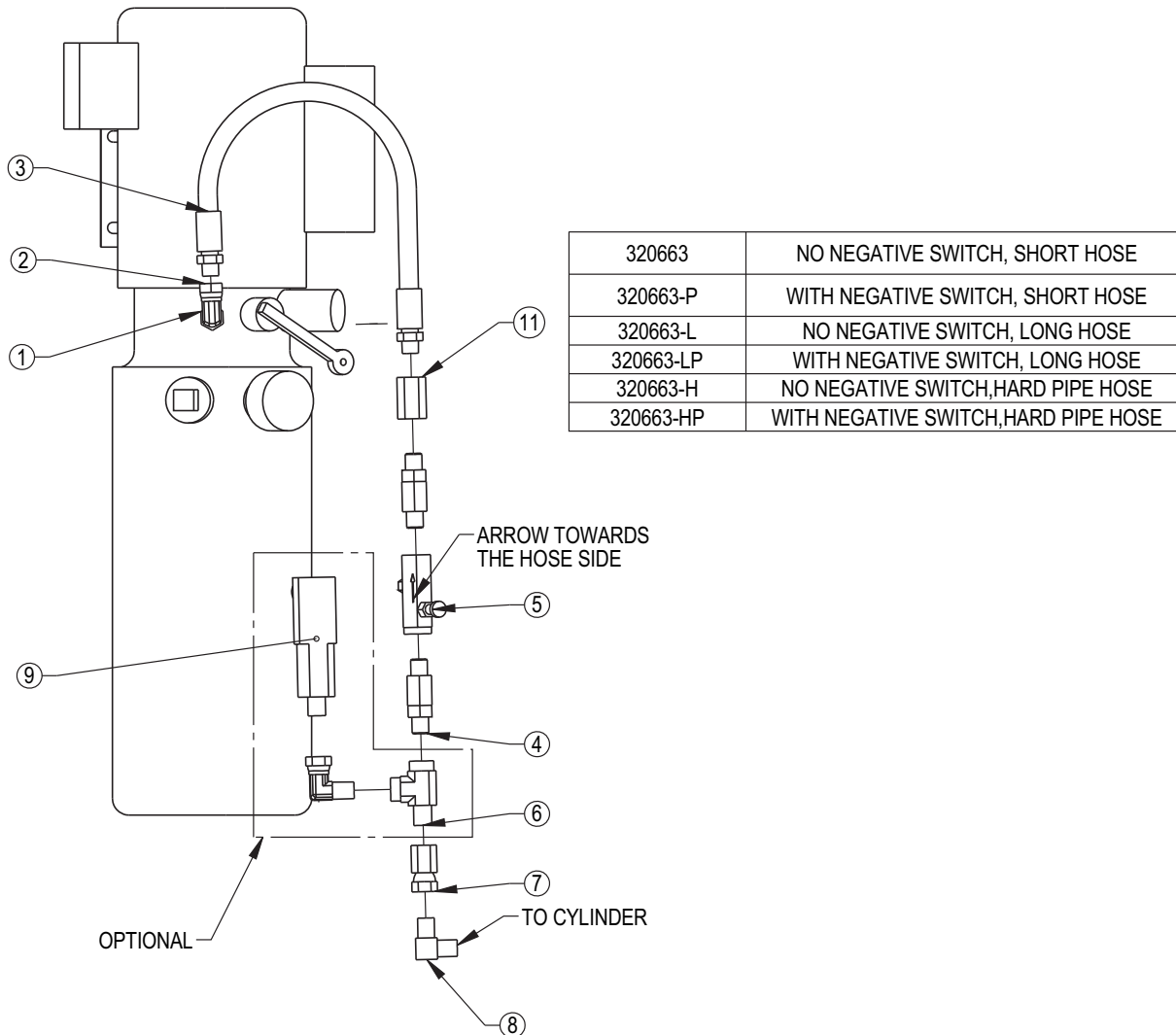
Item	Part number	Description
1	105559	ADPTR_1/4 FEM 3/8 MALE NPT
2	105558	ADPTR_1/4 NPT 90DEG MALE/FML
3	105562	HOSE_ASSY 100R2 28" 1/4NPT M/M
4	105561	ADPTR_1/4 NPT TEE FML/FML/MALE
5	726026	VALVE_BALL GEM 1/4 NPT 1111AB
6	105563	FILTER_OIL
7	104908	VALVE_FLO CNTRL F20SK 1/4"NPT
8	105560	ADPTR_1/4 NPT 90DEG MALE/MALE
9	105556	GAUGE_PRESSURE 2000 PSI SML RDR
12	104914	CON_MALE-MALE 1/4" NPT



---

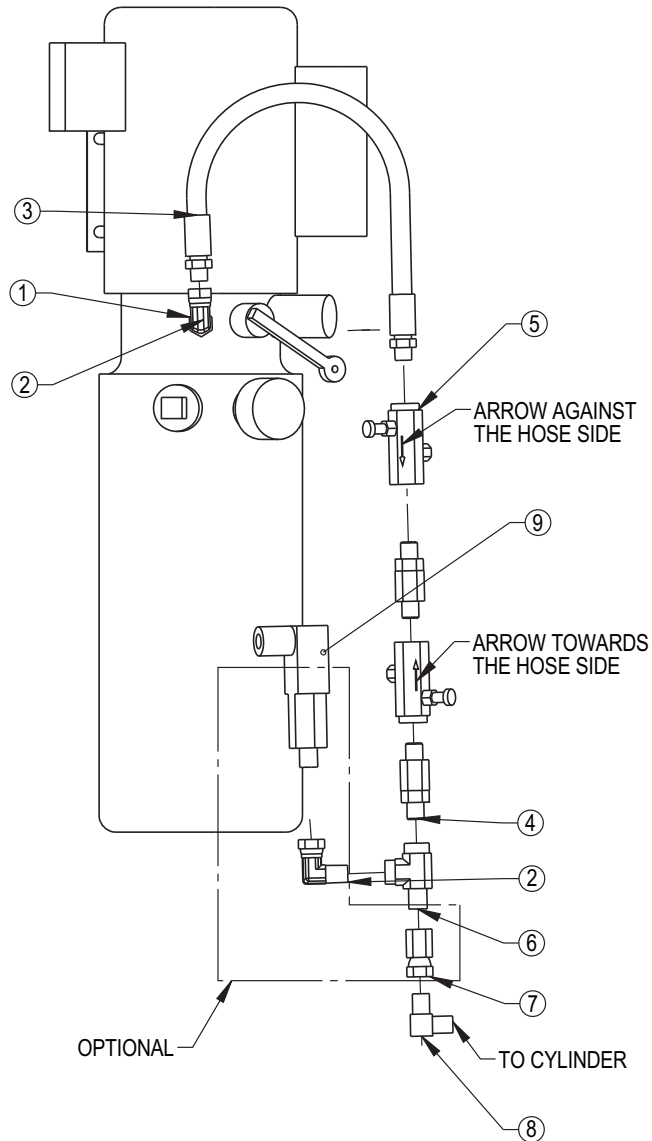
<b>Item</b>	<b>Part number</b>	<b>Description</b>
13	105557	ADPTR_1/4 NPT SWIVEL FEM/FEM
14	105815	VALVE_RUPTURE HYD ASSY V-1504
15	106318	ADPTR_FEMALE-FEMALE 2X 1\4 NPT
16	105816	ADPTR_SWIVEL HYD ASSY V-1504

## Hydraulics, 110V residential, short hose - 320663



Item	Part number	Description
1	105559	ADPTR_1/4 FEM 3/8 MALE NPT
2	105558	ADPTR_1/4 NPT 90DEG MALE/FML
3	105562	HOSE_ASSY 100R2 28" 1/4NPT M/M
4	105563	FILTER_OIL
5	104908	VALVE_FLO CNTRL F20SK 1/4"NPT
7	105557	ADPTR_1/4 NPT SWIVEL FEM/FEM
8	105560	ADPTR_1/4 NPT 90DEG MALE/MALE
11	106318	ADPTR_FEMALE-FEMALE 2X 1\4 NPT

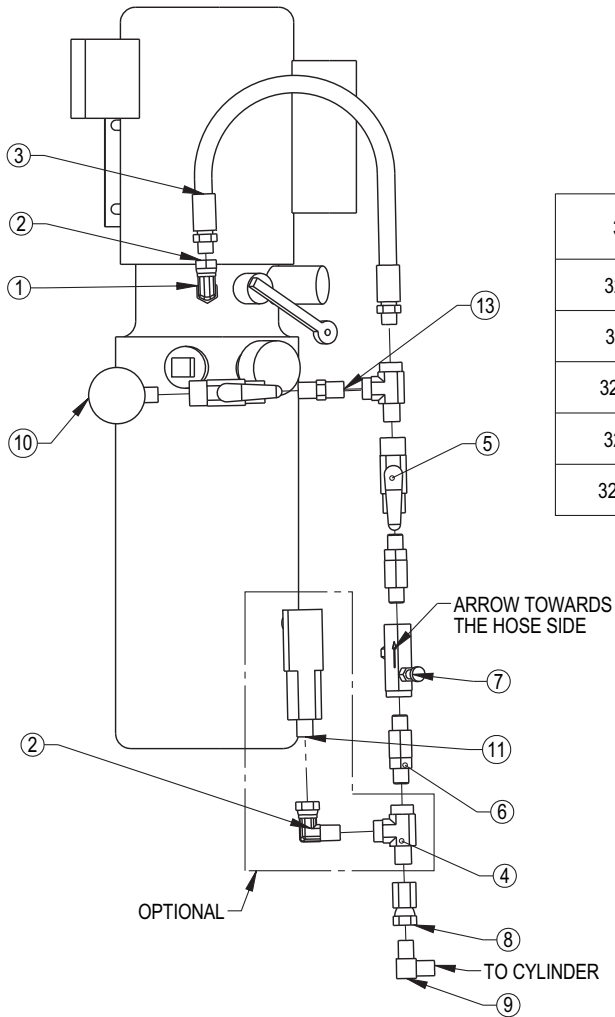
## Hydraulics, 12V residential, short hose - 320664



320664	NO NEGATIVE PRESSURE SWITCH, SHORT HOSE
320664-P	WITH NEGATIVE PRESSURE SWITCH, SHORT HOSE
320664-L	NO NEGATIVE PRESSURE SWITCH, LONG HOSE
320664-LP	WITH NEGATIVE PRESSURE SWITCH, LONG HOSE
320664-H	NO NEGATIVE PRESSURE SWITCH, HARD PIPE HOSE
320664-HP	WITH NEGATIVE PRESSURE SWITCH, HARD PIPE HOSE

Item	Part number	Description
1	105559	ADPTR_1/4 FEM 3/8 MALE NPT
2	105558	ADPTR_1/4 NPT 90DEG MALE/FML
3	105562	HOSE_ASSY 100R2 28" 1/4NPT M/M
4	105563	FILTER_OIL
5	104908	VALVE_FLO CNTRL F20SK 1/4"NPT
7	105557	ADPTR_1/4 NPT SWIVEL FEM/FEM
8	105560	ADPTR_1/4 NPT 90DEG MALE/MALE

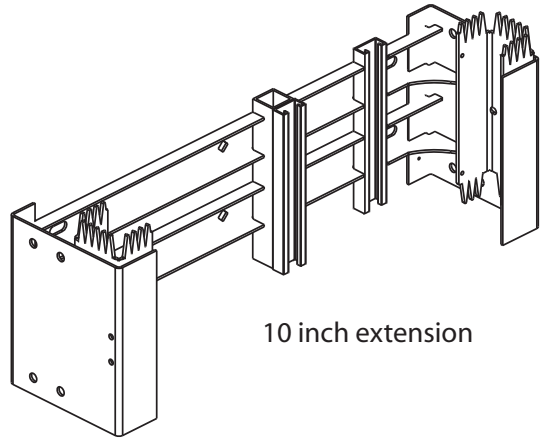
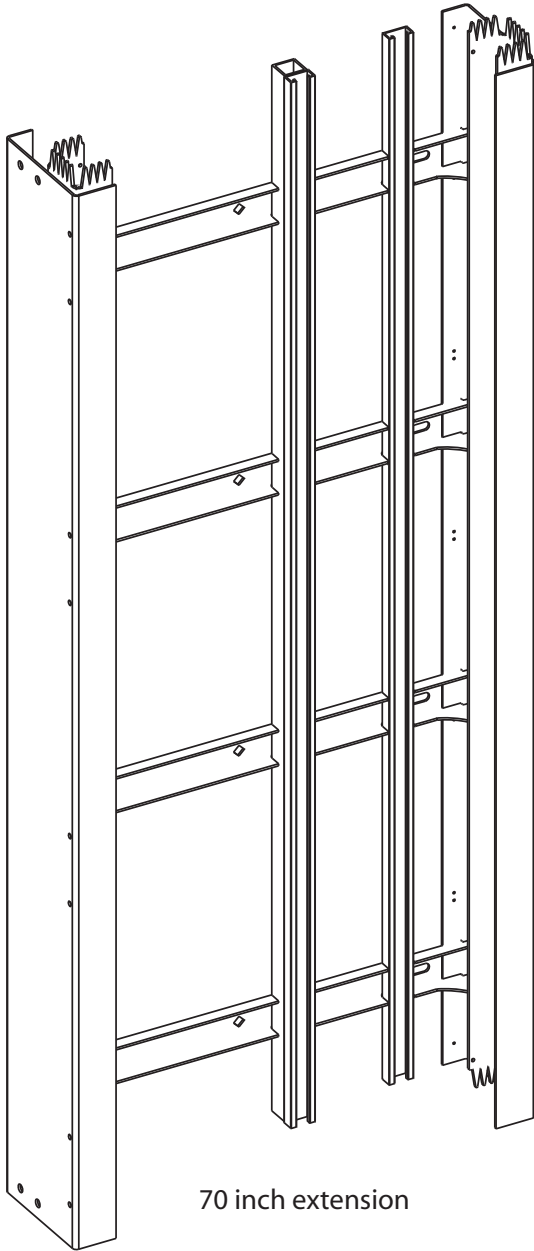
## Hydraulics, 110V public Canada, short hose - 320665



320665	NO NEGATIVE PRESSURE SWITCH, SHORT HOSE
320665-P	WITH NEGATIVE PRESSURE SWITCH, SHORT HOSE
320665-L	NO NEGATIVE PRESSURE SWITCH, LONG HOSE
320665-LP	WITH NEGATIVE PRESSURE SWITCH, LONG HOSE
320665-H	NO NEGATIVE PRESSURE SWITCH, HARD PIPE HOSE
320665-HP	WITH NEGATIVE PRESSURE SWITCH, HARD PIPE HOSE

Item	Part number	Description
1	105559	ADPTR_1/4 FEM 3/8 MALE NPT
2	105558	ADPTR_1/4 NPT 90DEG MALE/FML
3	105562	HOSE_ASSY 100R2 28" 1/4NPT M/M
4	105561	ADPTR_1/4 NPT TEE FML/FML/MALE
5	726026	VALVE_BALL GEM 1/4 NPT 1111AB
6	105563	FILTER_OIL
7	104908	VALVE_FLO CNTRL F20SK 1/4"NPT
8	105557	ADPTR_1/4 NPT SWIVEL FEM/FEM
9	105560	ADPTR_1/4 NPT 90DEG MALE/MALE
10	105556	GAUGE_PRESSURE 2000 PSI SML RDR
13	104914	CON_MALE-MALE 1/4" NPT

# Tower extensions



## Tower extension assemblies

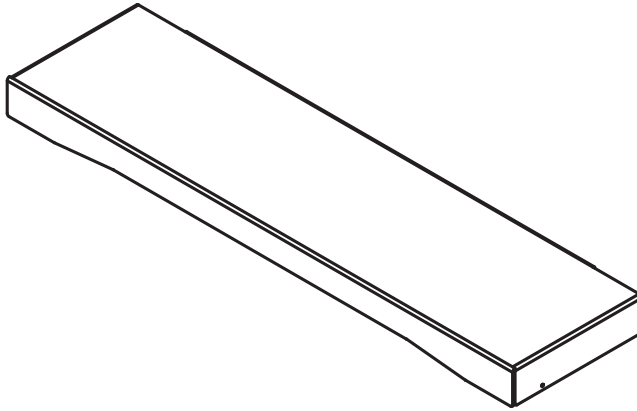
Part number	Description
323317	EXTN_TWR 5"
323317-Z	EXTN_TWR 5" ZINC (OUTDOOR)
242870	EXTN_TWR 10"
242870-Z	EXTN_TWR 10" ZINC (OUTDOOR)
242909	EXTN_TWR 22"
242909-Z	EXTN_TWR 22" ZINC (OUTDOOR)
320631	EXT_TWR 22" CNTRLR PLUS
242902	EXTN_TWR 46"
242902-Z	EXTN_TWR 46" ZINC (OUTDOOR)
242910	EXTN_TWR 70"
242910-Z	EXTN_TWR 70" ZINC (OUTDOOR)
242867	EXTN_TWR 94"
242867-Z	EXTN_TWR 94" ZINC (OUTDOOR)

## Tower extension H/W kit - 243231

Part number	Description
100155	HHCS_1/4-20 x 1/2
101213	WSHR_LCK 1/4 MED SPLT ZNC
105354	SEAL_KNOCKOUT 7/8" PLASTIC
V0100076	PLAQUE SUPPORT DENT
V0100072	PLT_FIX TOWER
103443	WSHR_FLT 1/4 SMALLOD S/S
102199	HHCS_1/2-13 x 1 1/4
105315-Y	NUT_HEX 1/2-13 JAM NYLK YLW ZN
105689	WSHR_FLT 1.06OD X .595IDX80THK

## Tower cap

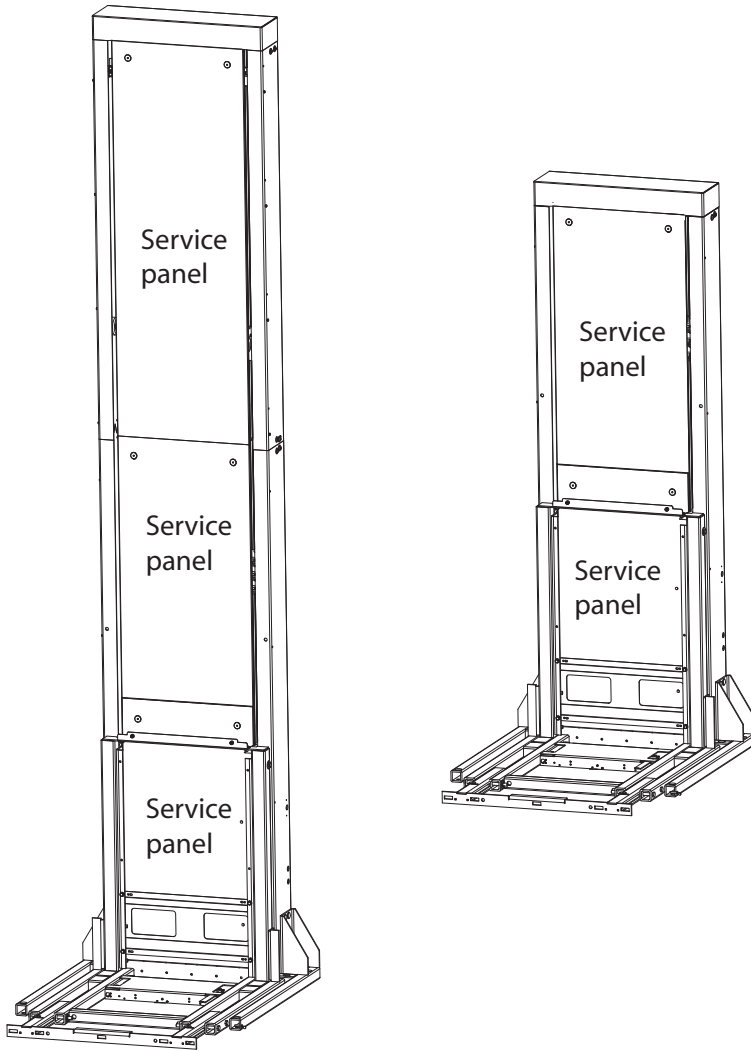
### Tower cap - 323415-B



### Tower cap H/W kit - 320702

Part number	Description
104403-Y	HHCS_3/8-16 X 3/4 YLW ZNC GR5
102188-Y	WSHR_FLT 3/8 USS YLW ZINC
102191-Y	WSHR_LCK 3/8 YLW ZINC
102186	NUT_HEX 3/8-16

## Service panels



## Service panels

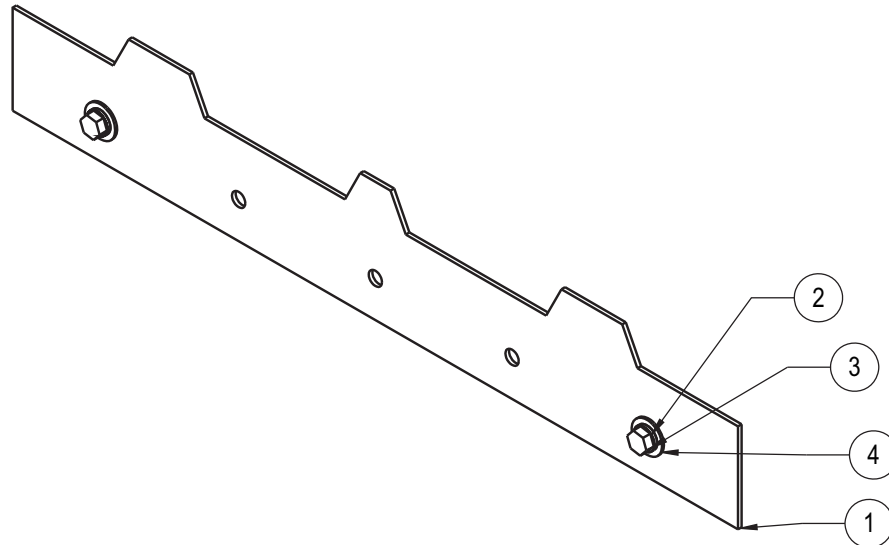
Part number	Description
323360	SERVICE PANEL, 5" ASSY
323346-T	SERVICE PANEL, 5"
242805	SERVICE PANEL, 10" ASSY
242802	SERVICE PANEL, 22"
242801	SERVICE PANEL, 46"
242973	SERVICE PANEL, 48"
242800	SERVICE PANEL, 70"
242799	SERVICE PANEL, 94"



## Service panel H/W kit - 320703

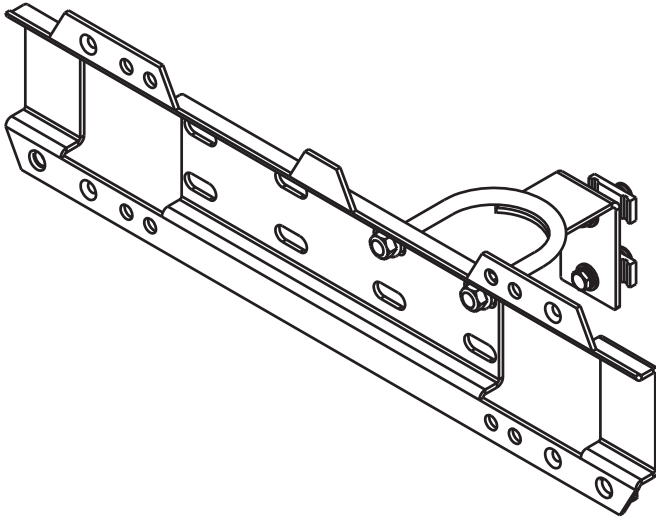
Part number	Description
104660	BOLT_PLTFM SPECIAL S/S

## Pit channel service panel mounting bracket - 320774



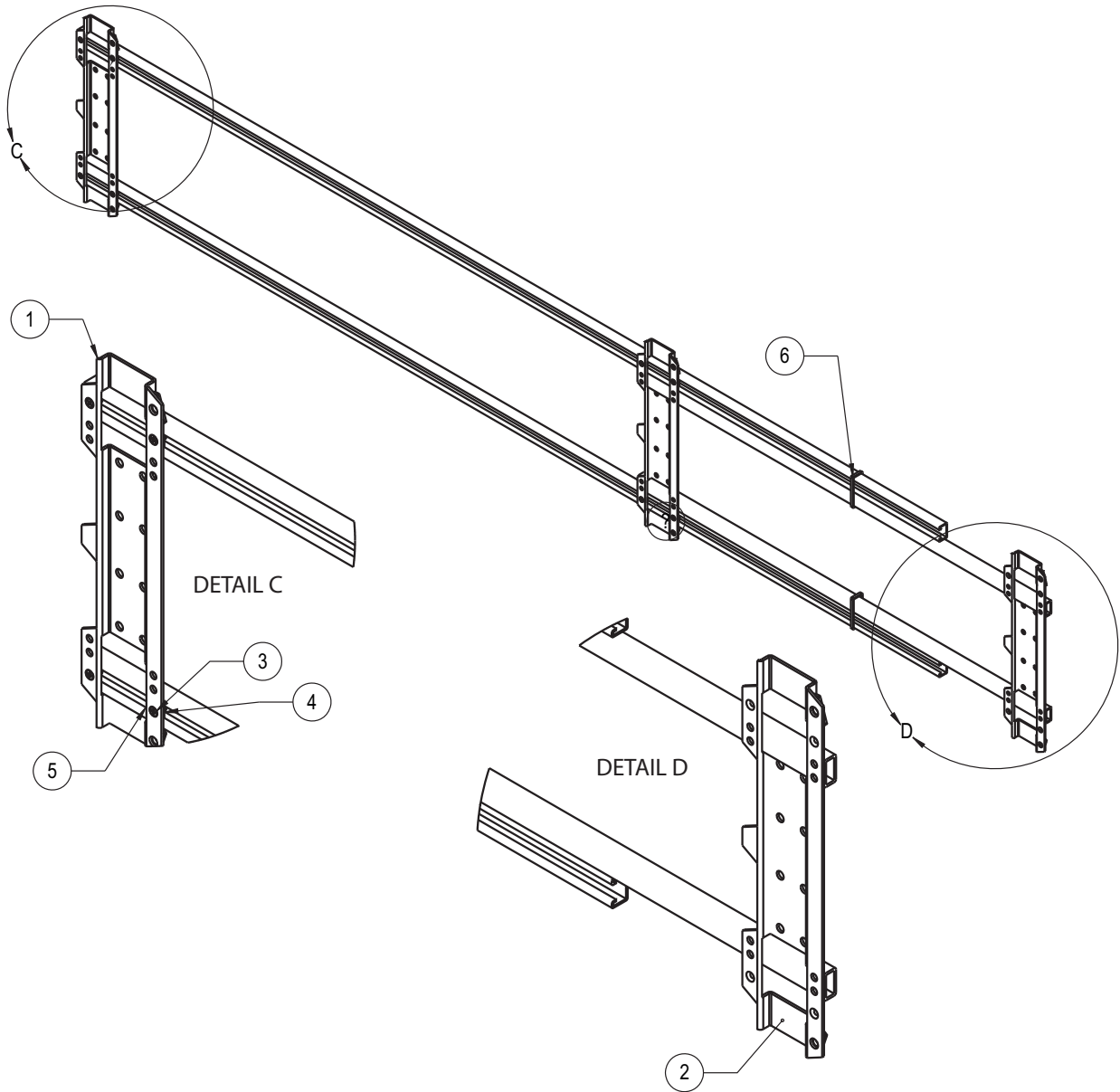
Item	Part number	Description
1	242797	PNL_SRV MNT PIT CHANNEL V-1504
2	102188-Y	WSHR_FLT 3/8 USS YLW ZINC
3	102191-Y	WSHR_LCK 3/8 YLW ZINC
4	104403-Y	HHCS_3/8-16 X 3/4 YLW ZNC GR5

## Service panel mounting bracket and clamp assemblies



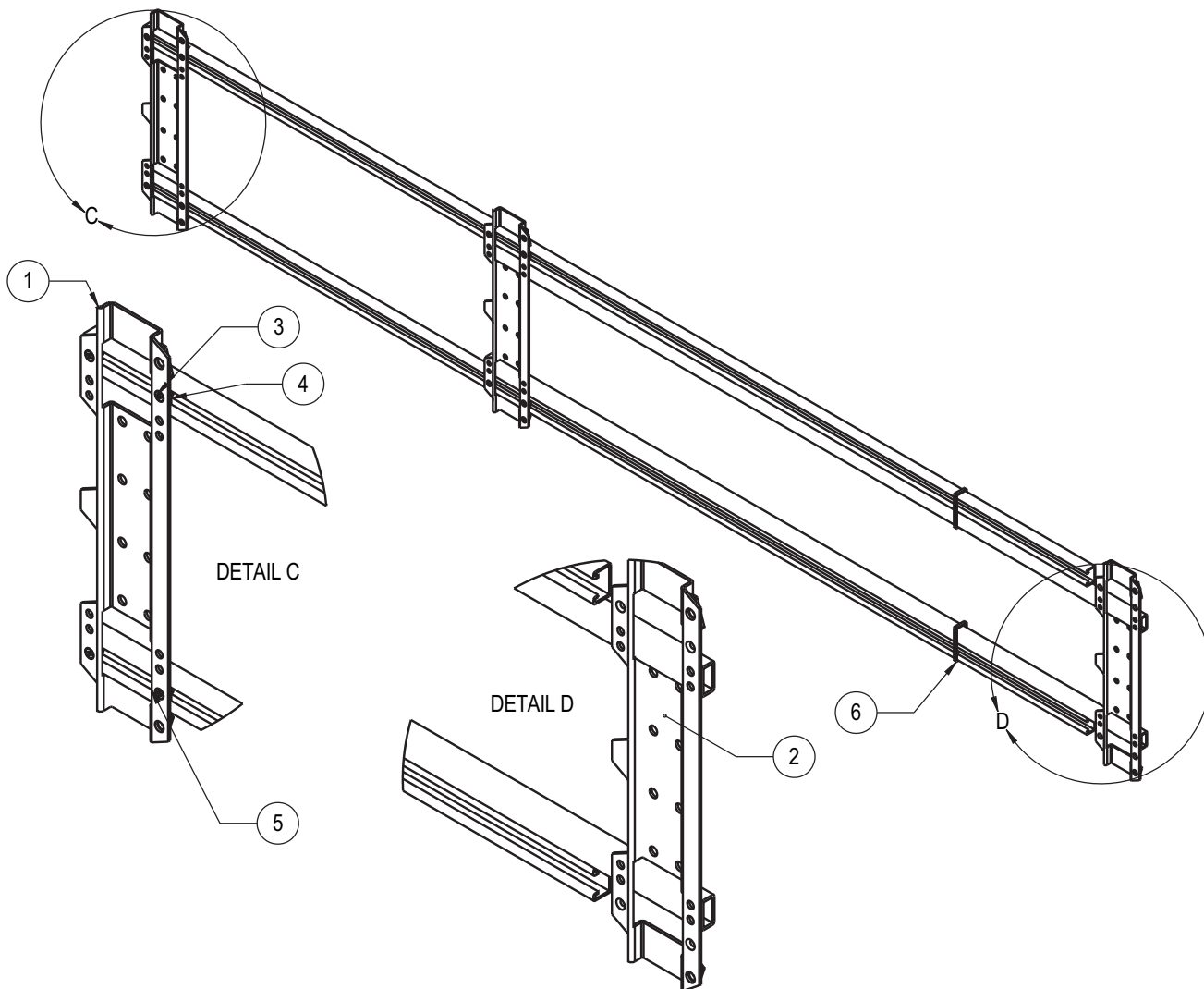
Part number	Description
320766	TOP SERVICE PANEL MOUNTING BRACKET CLAMP ASSY
320681	SERVICE PANEL MOUNTING BRACKET CLAMP ASSY, 2" (FOR BLACK CYLINDER)
320683	SERVICE PANEL MOUNTING BRACKET CLAMP ASSY, 2.5" (FOR BLACK CYLINDER)
320681-T	SERVICE PANEL MOUNTING BRACKET CLAMP ASSY, 2.125" (FOR GREY CYLINDER)
320683-H	SERVICE PANEL MOUNTING BRACKET CLAMP ASSY, 2.625" (FOR GREY CYLINDER)

## Service panel mounting extension 46" - 320756



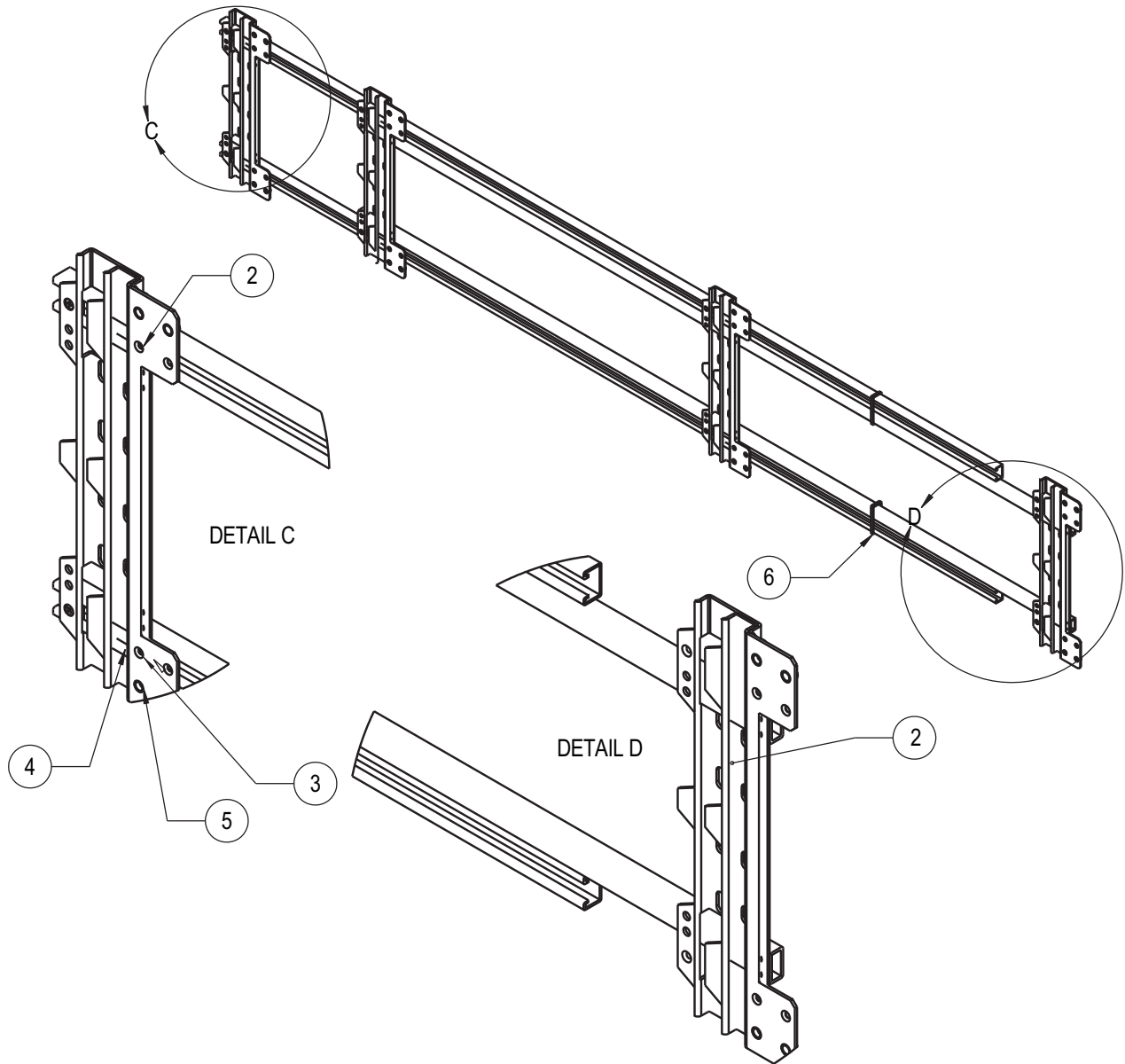
Item	Part number	Description
1	242811	BRKT_MNTG PNL V-1504
2	242812	PNL_MNTG 46" EXT ASSY V-1504
3	100086	MS_FHP 1/4-20 x 3/4
4	101097	NUT_SPNG STRUT LOCK 1/4-20
5	320749	UNISTRUT_SRV PNL SPRT V1504
6	106383	TIE_WIRE 15" X 4 DIA. 120TNSL

## Service panel mounting extension 70" - 320757



Item	Part number	Description
1	242811	BRKT_MNTG PNL V-1504
2	242815	PNL_MNTG 70" EXT ASSY V-1504
3	100086	MS_FHP 1/4-20 x 3/4
4	101097	NUT_SPNG STRUT LOCK 1/4-20
5	320749	UNISTRUT_SRV PNL SPRT V1504
6	106383	TIE_WIRE 15" X 4 DIA. 120TNSL

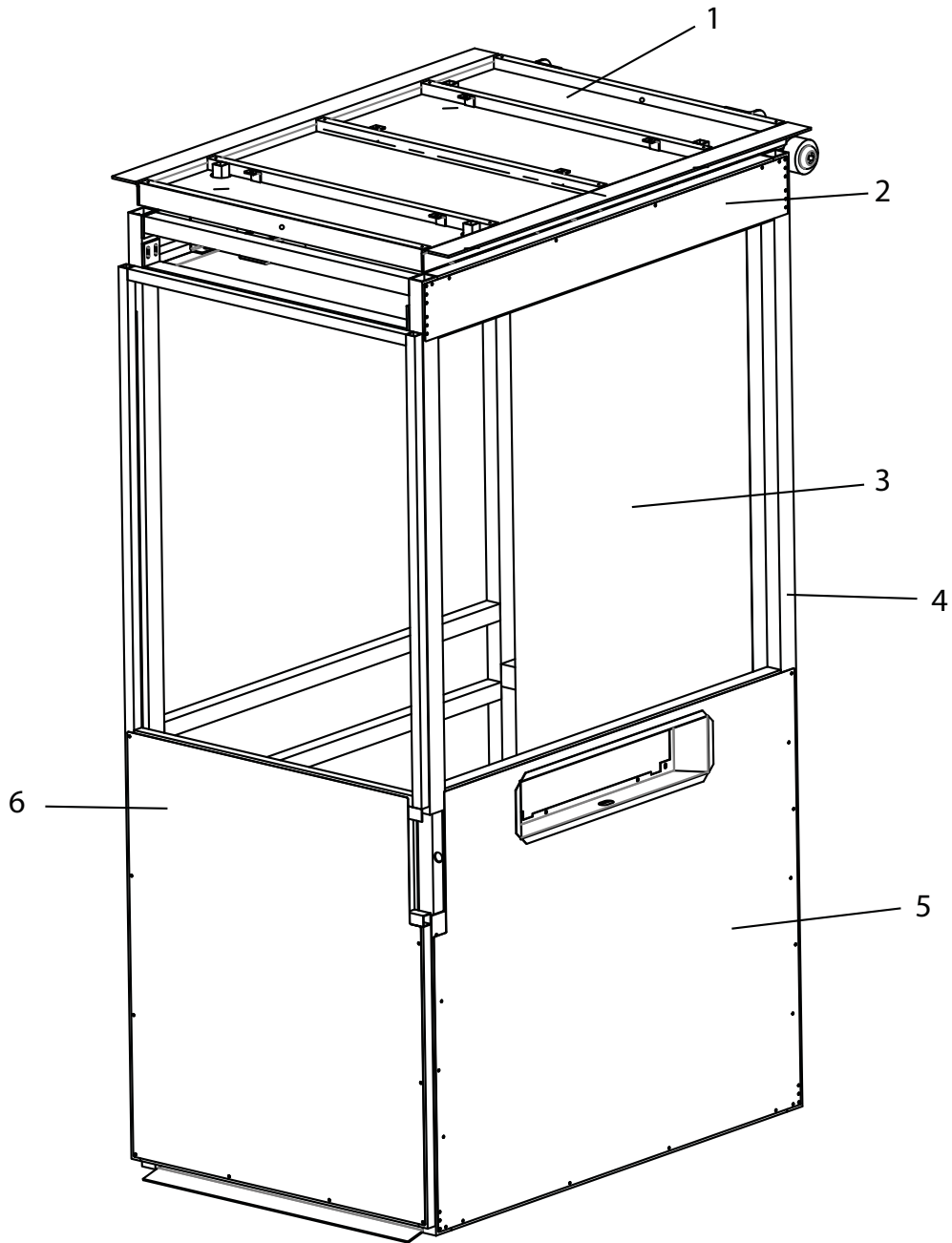
## Service panel mounting extension 94" - 320648

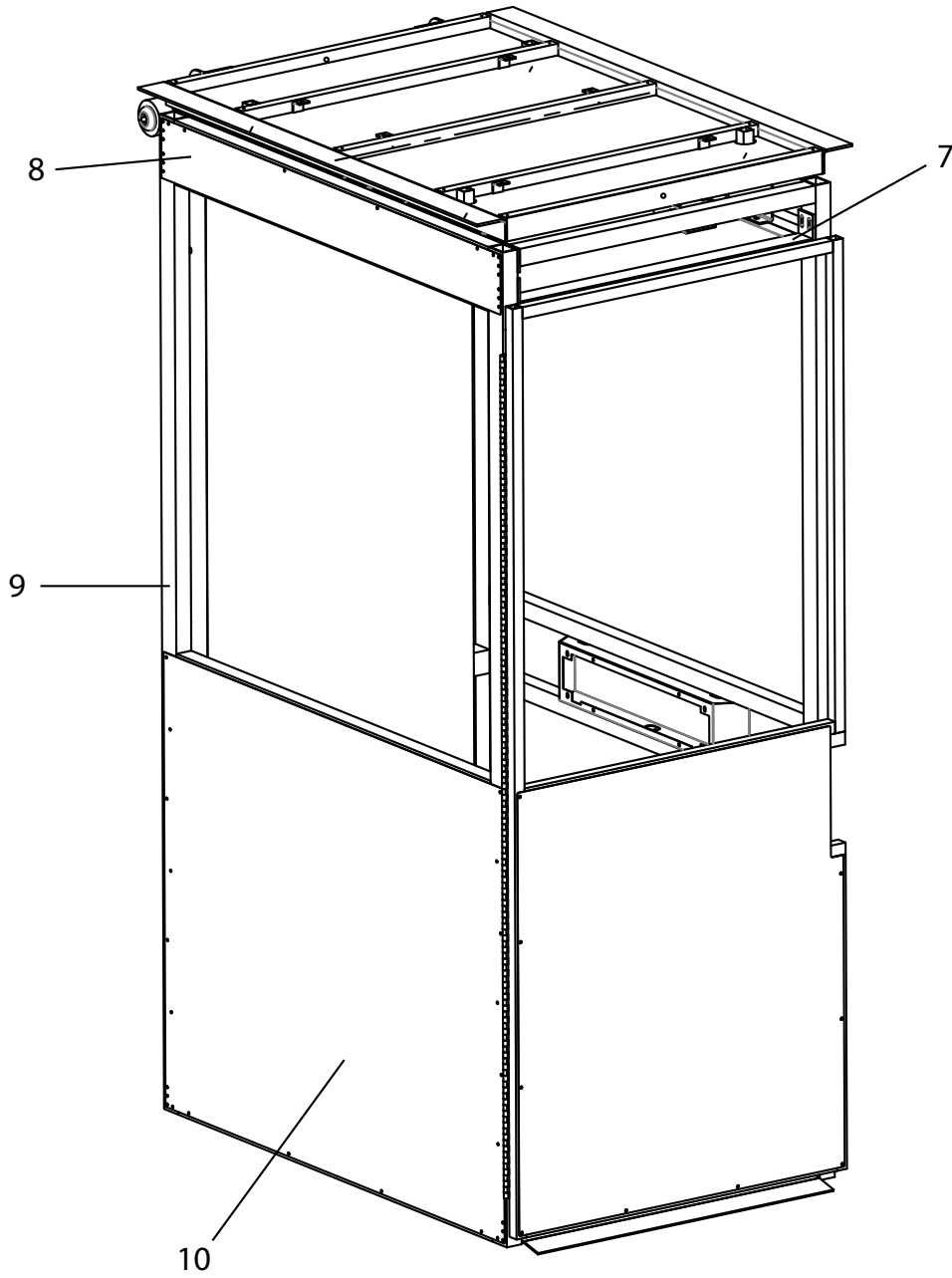


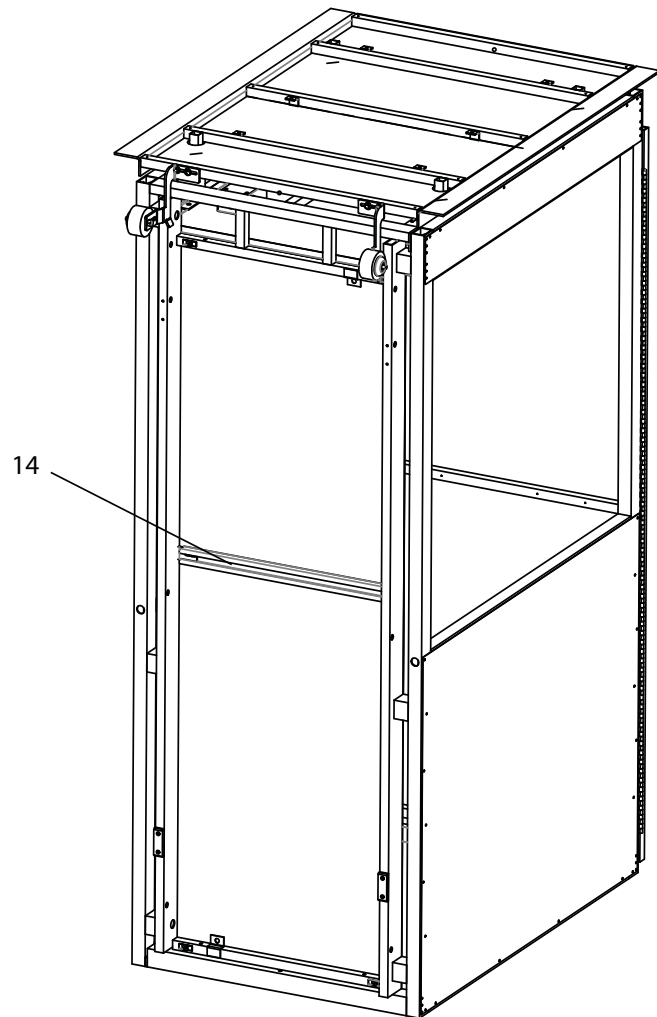
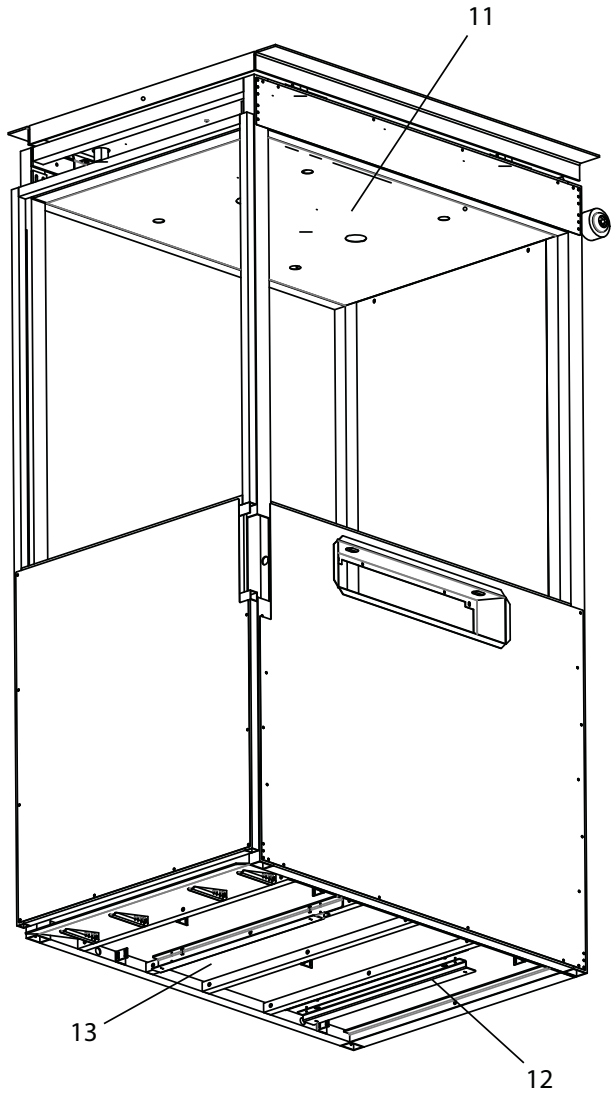
Item	Part number	Description
1	242811	BRKT_MNTG PNL V-1504
2	320646	PNL_MNTG 94" EXT ASSY V-1504
3	100086	MS_FHP 1/4-20 x 3/4
4	101097	NUT_SPNG STRUT LOCK 1/4-20
5	320749	UNISTRUT_SRV PNL SPRT V1504
6	106383	TIE_WIRE 15" X 4 DIA. 120TNSL

# Cab assembly

Type 5 cab shown









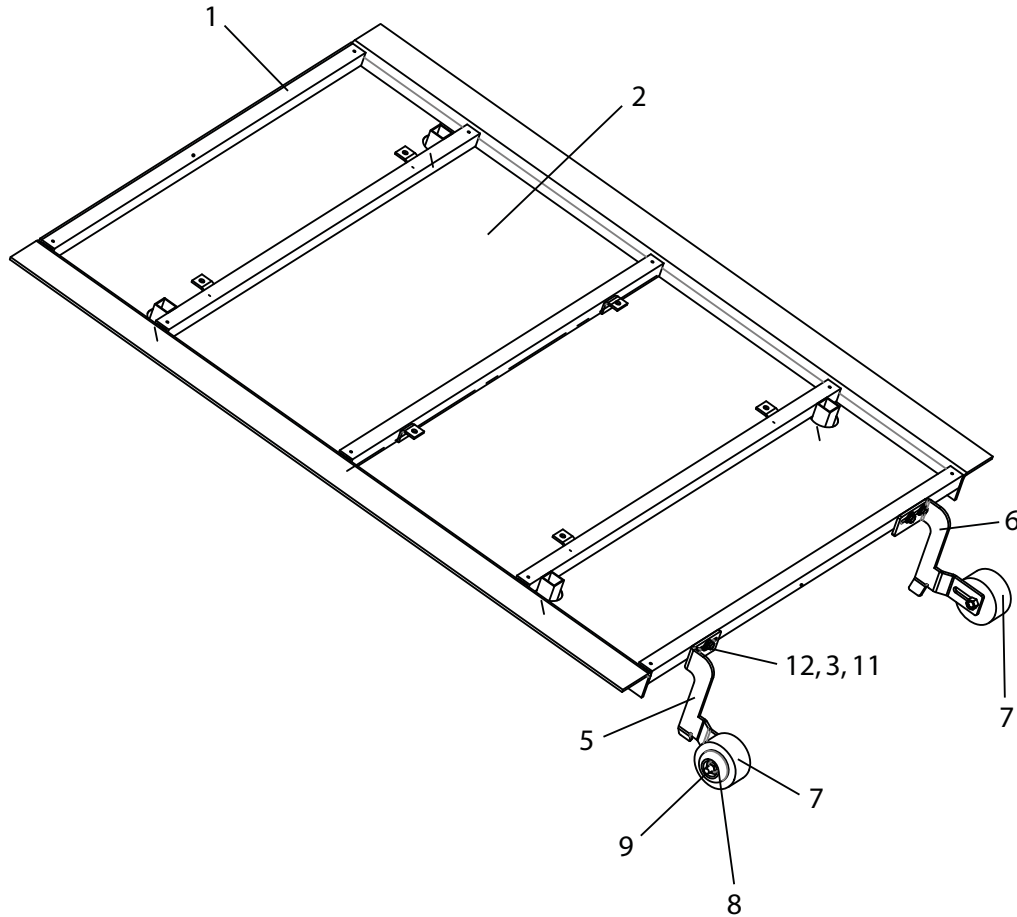
## Cab assembly (type 5, size 30"x48"x78 shown)

### NOTE

The cab illustrations shown on the previous pages and the part numbers listed below are for a Telecab Type 5, size 30"x46"x78".  
For other cab types and sizes, please contact tech support for the relevant part numbers.

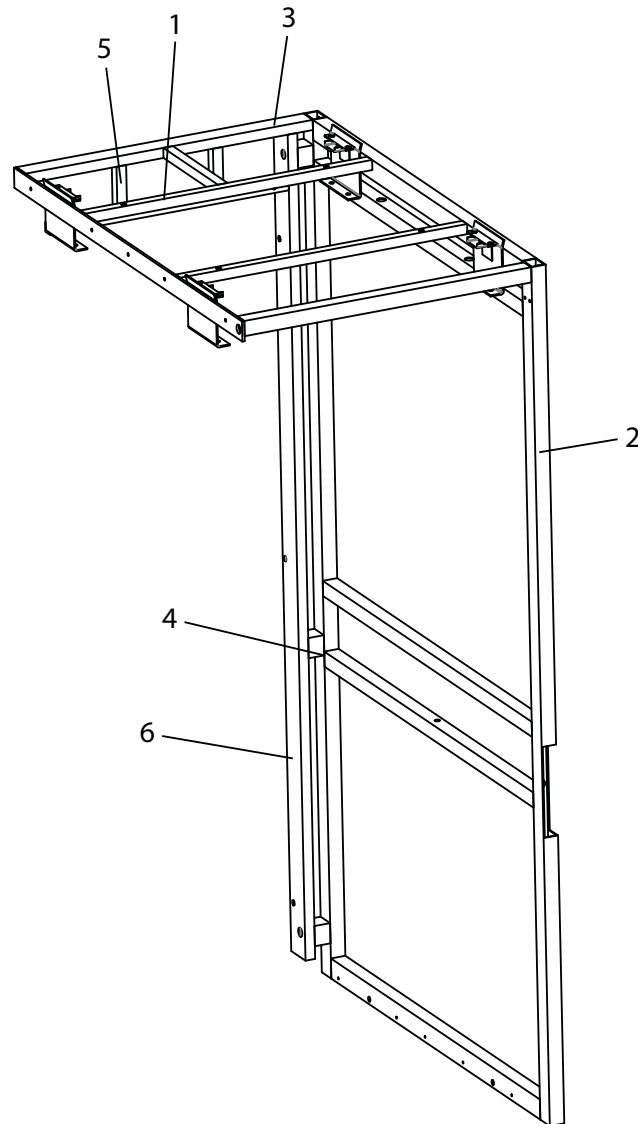
Item	Part number	Description
1	323352	FLOOR PLUG, TYPE 5(30X46X78)
2	323308	UPPER PANEL ABOVE PLEXIGLAS, TYPE 5 (30X46X78)
3	323131	BACK PANEL, TYPE 5
4	323332	L STRUCTURE COP WALL AND ROOF, TYPE 5 (30X46X78)
5	323410-B 323410-W 323375-B 323375-W	PANEL, COP (30X46X78) PANEL, COP (30X46X78) PANEL, COP FRONT PANEL, COP FRONT
6	323345	RH DOOR FRAME ASSY, (30 WIDTH)
7	323336	REINFORCEMENT, COMMANDER RH, TYPE 5
8	323308	SIDE AND FLOOR STRUCTURE, TYPE 5 (30X46X78)
9	323329	FRONT PANEL, OPPOSITE COP, TYPE 5 (32X53X78)
10	323306	CEILING ASSY W/DUCT COVERS, TYPE 5 (30X46X78)
11	323138	UNDERPAN BRACKET
12	323338	FLOOR SHEET, TYPE 5 (30X46X78)
13	323137	REINFORCEMENT, DOOR FRAME
14	323484	HANDRAIL TUBE
15	SAV-51-30-W	UNDERPAN, 30 PO TYPE 1,3 WHITE

## Floor plug (type 5 - 30x46x78), 323352

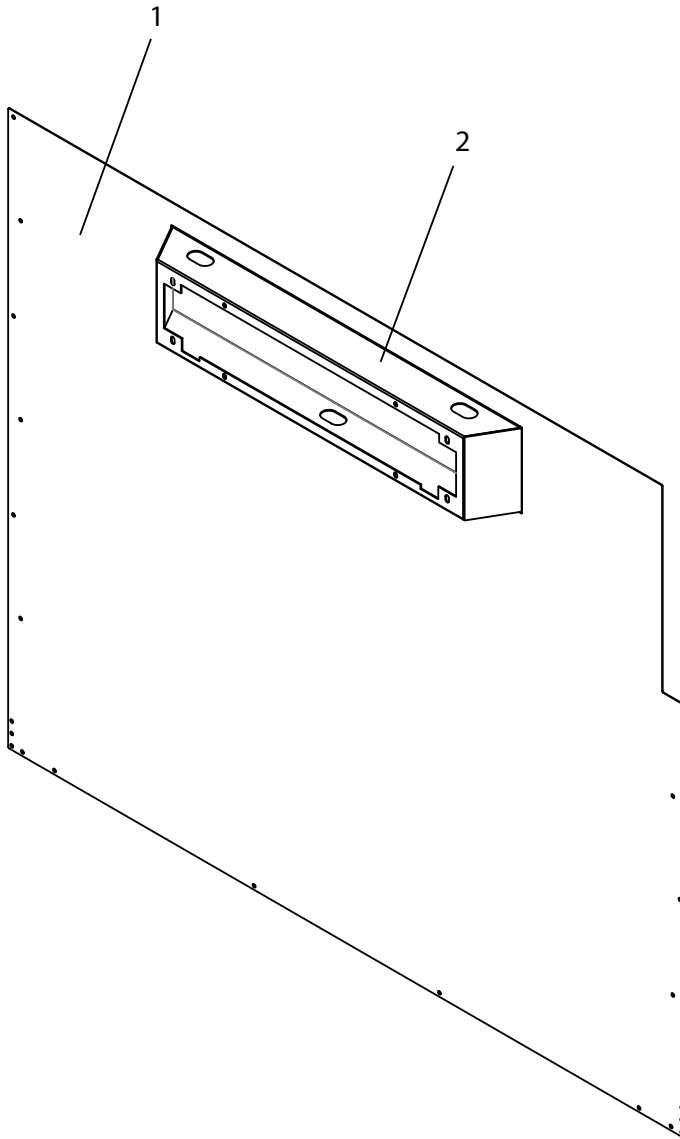


Item	Part number	Description
1	323350	PLUG, FLOOR STRUCTURE TYPE 5
2	323351	PLUG, FLOOR SHEET TYPE 5 (30X46X78)
3	101213-Y	WASHER, LOCK 1/4 YELLOW ZINC
5	244256	BRACKET, FLOOR PLUG RH
6	244257	BRACKET, FLOOR PLUG LH
7	MA2AB	WHEEL, 3"
8	V01-0303	HEAD WASHER FOR YOKE GUIDE
9	105283	NUT, FLANGE 3/8-16
11	101836-Y	HEX HEAD CAP SCREW, 1/4-20X3/4 YELLOW ZINC
12	101196-Y	WASHER, FLAT 1/4 USS YELLOW ZINC

## L-structure (COP wall and roof), 323332

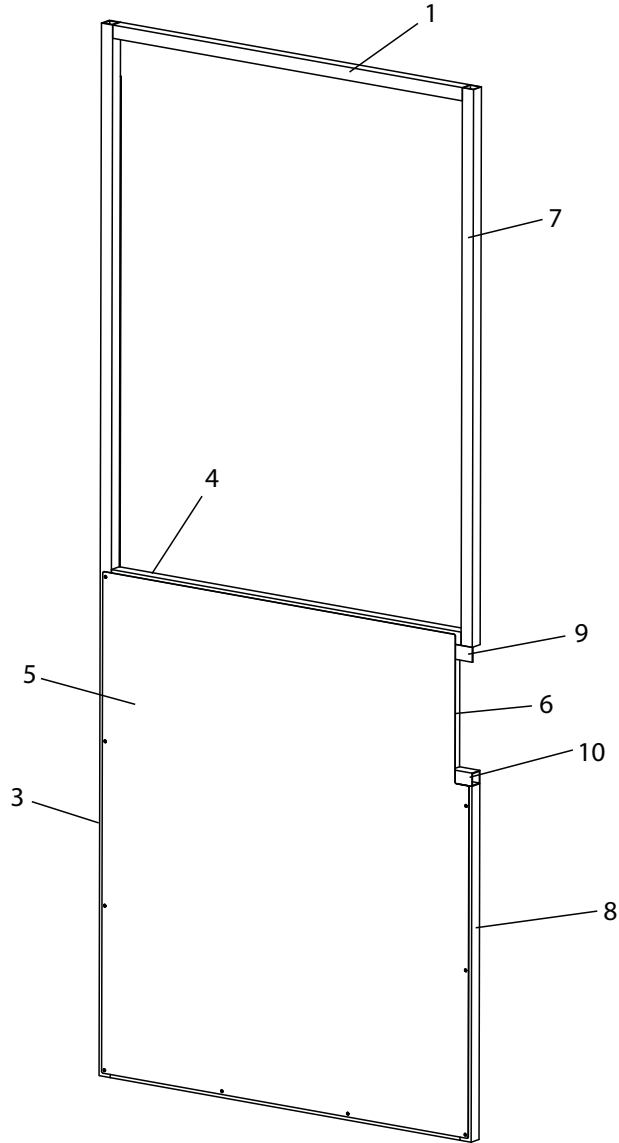


Item	Part number	Description
1	323110	SUPPORT BRACKET, SWITCH ASSY
2	323330	WALL RIGHT FRAME (30X46X78)
3	323331	CEILING STRUCTURE (30X46X78)
4	323299	SUPPORT TUBE, TYPE 5 (30X46X78)
5	323111	SUPPORT TUBE, CEILING FRAME
6	323127	POLE, SKATE

**COP panel assembly, 323410**

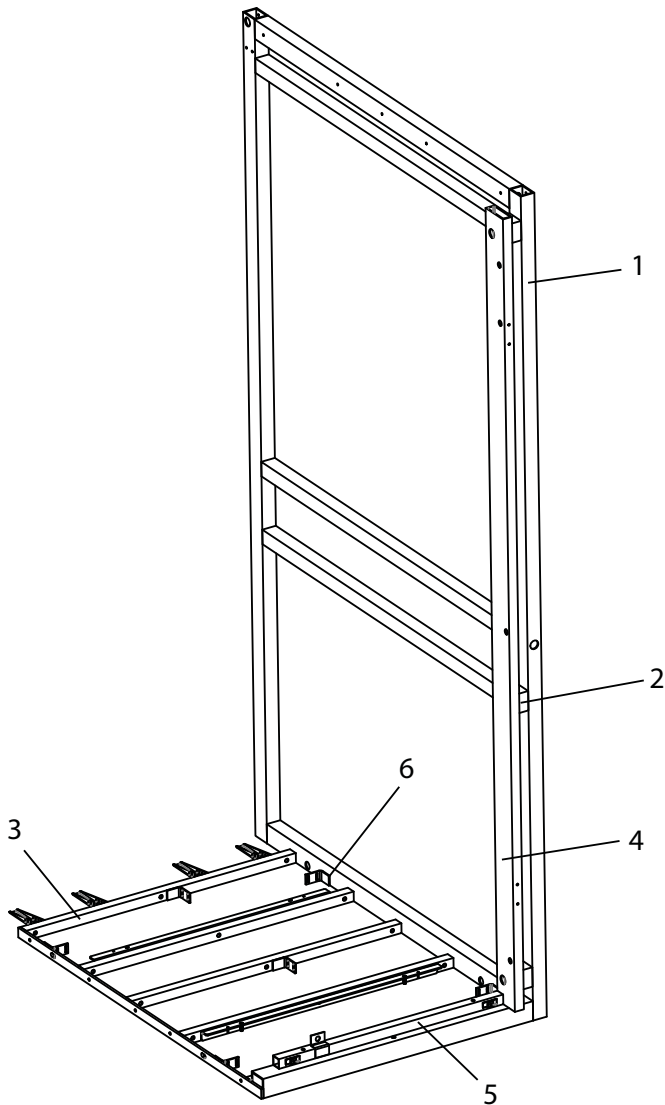
Item	Part number	Description
1	323374	PANEL, WALL W/COP/LCK CUTOUT
2	323024	SUPPORT BOX, COP

## RH door frame assembly, 323345

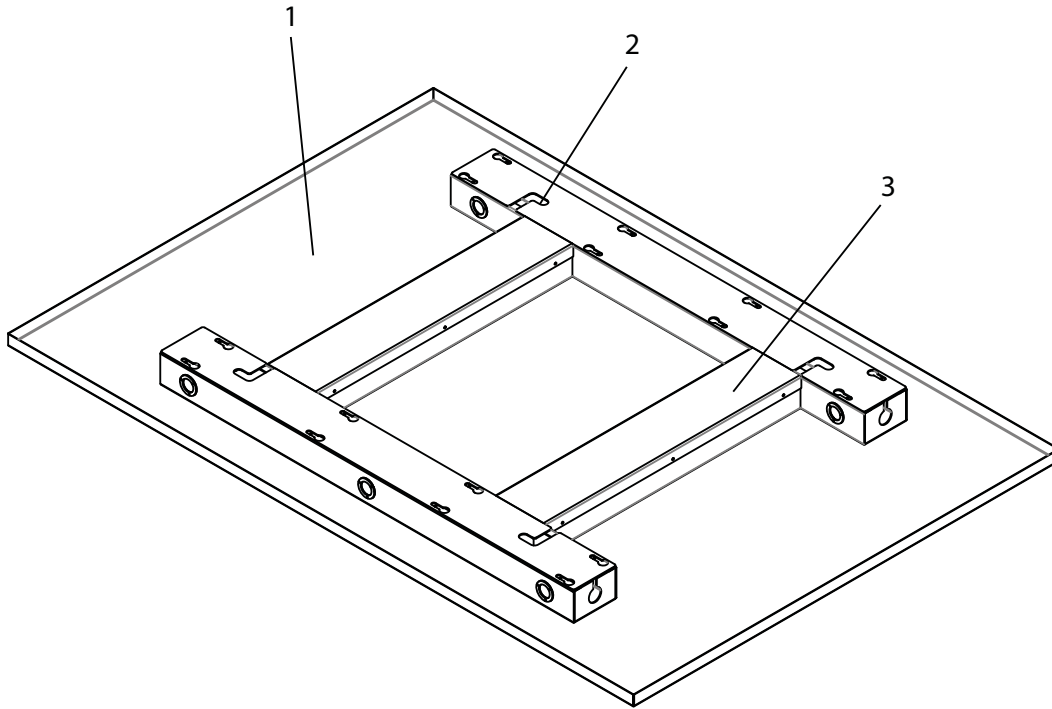


Item	Part number	Description
1	323339	TUBE, FRAME DOOR
2	323340	TUBE, FRAME DOOR 31"
3	323149	TUBE, FRAME DOOR 79.5"
4	323341	TUBE, FRAME DOOR 31"
5	323343	PANEL, DOOR SHEET METAL 30"
6	323154	TUBE, FRAME DOOR 10.5"
7	323152	TUBE, FRAME DOOR 41.63"
8	323151	TUBE, FRAME DOOR 27.38"
9	323146	PLATE, SUPPORT DOOR FRAME
10	323150	TUBE, FRAME DOOR 1.8"

## Side and floor structure, 323329

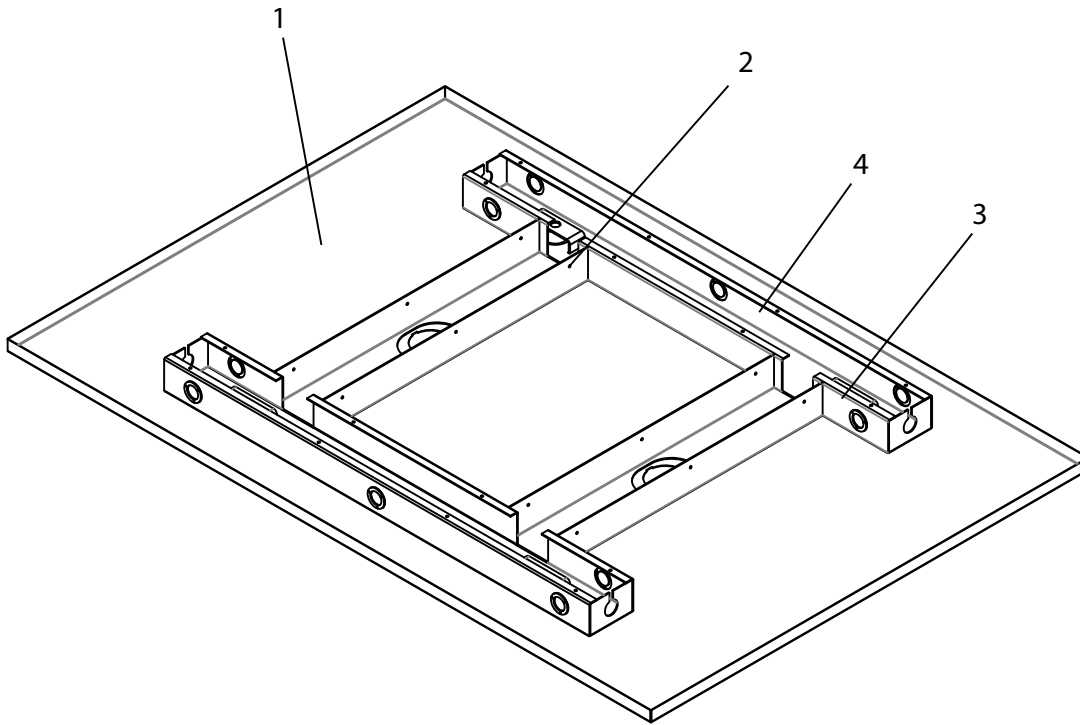


Item	Part number	Description
1	323327	WALL, LEFT FRAME LH DOOR
2	323299	SUPPORT TUBE, TYPE 5 (30X46X78)
3	323328	FLOOR, STRUCTURE (30X46X78)
4	323127	POLE, SKATE
5	323110	SUPPORT BRACKET, SAFETY SWITCH ASSEMBLY
6	323125	SUPPORT, MICROSWITCH

**Ceiling assembly (with duct covers), 323306**

Item	Part number	Description
1	323305	CEILING ASSEMBLY
2	323303	COVER, WIRE DUCT 29"
3	323304	COVER, WIRE DUCT 18"

## Ceiling assembly, 323305



Item	Part number	Description
1	323300	PANEL, CEILING TYPE 5 (30X46X78)
2	323302	DUCT, WIRE CEILING 18"
3	323301	DUCT, WIRE CEILING STANDARD
4	323028	SUPPORT
-	105252-LED	LIGHT PUCK, 12V-LED SILVERY
-	323417	HARNESS, TELEcab POT LIGHT



---

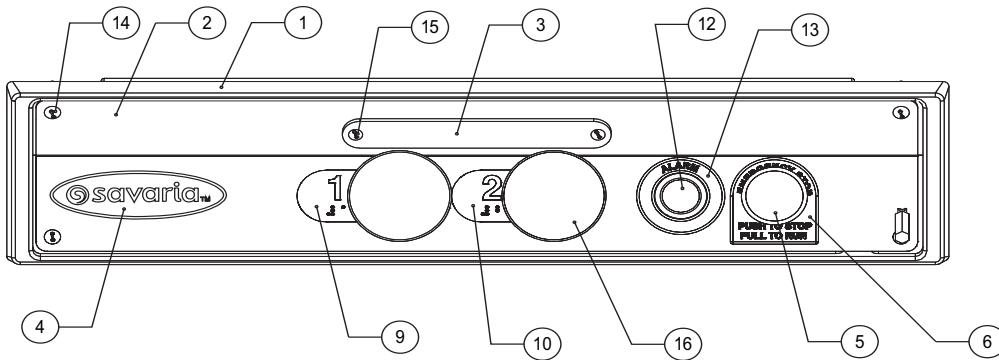
**Phone**

<b>Item</b>	<b>Part number</b>	<b>Description</b>
1	105634	PHONE_APH 7111-05 AUDIOLOGIC
2	105635 SAV-60-W	HOLDER_PHN V-1504-TEL HOLDER TELEPHONE WHITE TELEcab
3	106837	CBL_HOME PHONE 14FT
4	105295	CON_PLUG MALE 321S-DS/12
5	105296	CON_PLUG FEMAIL 321B-DS/12

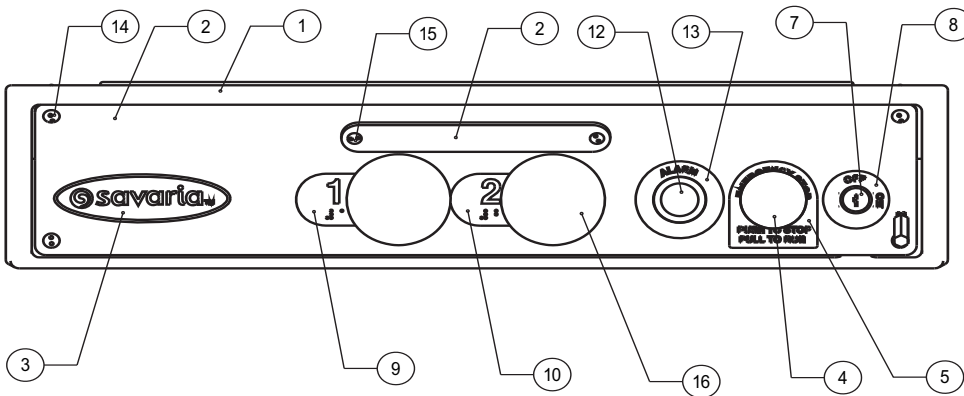
# Car operating panel (COP)

## Car operating panels with big buttons

COP 2 stop, big buttons  
320026



COP 2 stop, big buttons, key  
320030

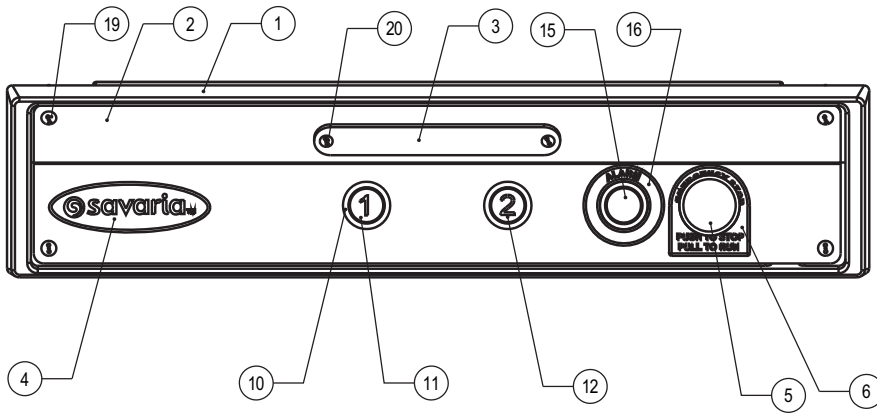


## Car operating panels with big buttons

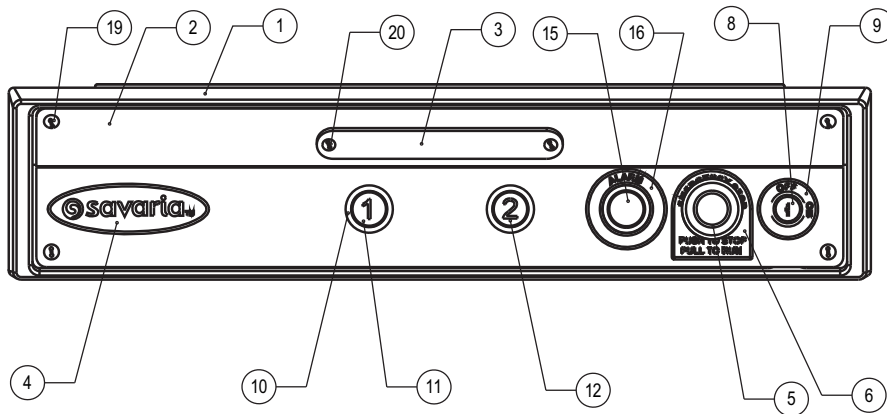
Item	Part number	Description
1	320050-V	BOX_COP V-1504 DEEP
2	320126 320134 320130 320138	PLT_DASH 2 STP BIG BTN PLT_DASH 3 STP BIG BTN PLT_DASH 2 STP KEY BIG BTN PLT_DASH 3 STP KEY BIG BTN
3	106282	LIGHT_EM LED STRIP 12/24V
4	222467	LOGO_SAVARIA S/S
5	105117	BTN_STOP EMRG PSH/STP PULL 1NC
6	222709	LABEL_EMRG STOP PUSH/PULL
7	102268	SW_KEY N/O RMV OFF
8	222711	LABEL_KEY ON/OFF
9	105395	PLT_TACTILE 1 VOY CHINA
10	105396	PLT_TACTILE 2 VOY CHINA
11	105459	PLT_TACTILE 3 VOY CHINA
12	105517	PBTN_YLW ILLUMINATED
13	222708	LABEL_ALARM
14	105760	SCRW_SECURITY 8-32 X 1 1/2"
15	106223	SPANNER_TRUSS HD 8-32 X 3/4"
16	320149	BTN_60 MM ASSY

## Car operating panels with standard buttons

COP 2 stop  
320025



COP 2 stop, key  
320029



## Car operating panels with standard buttons

Item	Part number	Description
1	320050-V	BOX_COP V-1504 DEEP
2	320025 320133 320141 320129 320137 320145	PLT_DASH 2 STP PLT_DASH 3 STP PLT_DASH 4 STP PLT_DASH 2 STP KEY PLT_DASH 3 STP KEY PLT_DASH 4 STP KEY
3	106282	LIGHT_EM LED STRIP 12/24V
4	222467	LOGO_SAVARIA S/S
5	105117	BTN_STOP EMRG PSH/STP PULL 1NC
6	222709	LABEL_EMRG STOP PUSH/PULL
8	102268	SW_KEY N/O RMV OFF
9	222711	LABEL_KEY ON/OFF
10	106676	CONTACT_PBTN N/O
11	106672	PBTN_1 WITH 1X NO CONTACT
12	106673	PBTN_2 WITH 1X NO CONTACT
13	106674	PBTN_3 WITH 1X NO CONTACT
14	106675	PBTN_4 WITH 1X NO CONTACT
15	105517	PBTN_YLW ILLUMINATED
16	222708	LABEL_ALARM
19	105760	SCRW_SECURITY 8-32 X 1 1/2"
20	106324	SCRW_SECURITY 8-32 X 3/4"

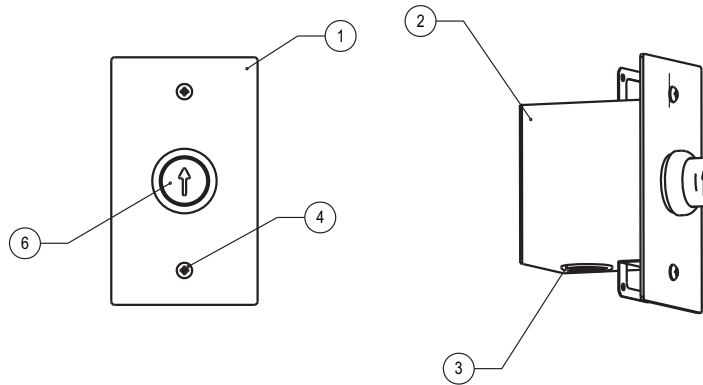
## COP mounting bracket, H/W and harness

Part number	Description
242961	RING_MOUNTING COP
103271	SCREW_BHSC 8-32 X 1/2 S/S
323385	HARNESS, TELEcab 25C COP TC
105760	SCREW_SECURITY 8-32X1 1/2"
103271	SCREW_BHSC 8-32X1/2 S/X

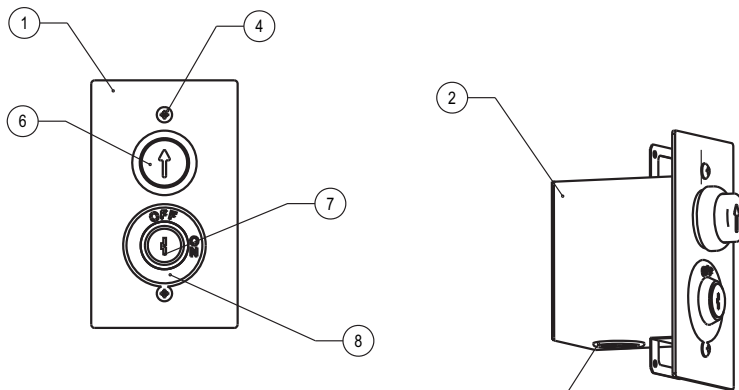
# Hall calls (flush remote)

## Hall calls (flush remote) up/down

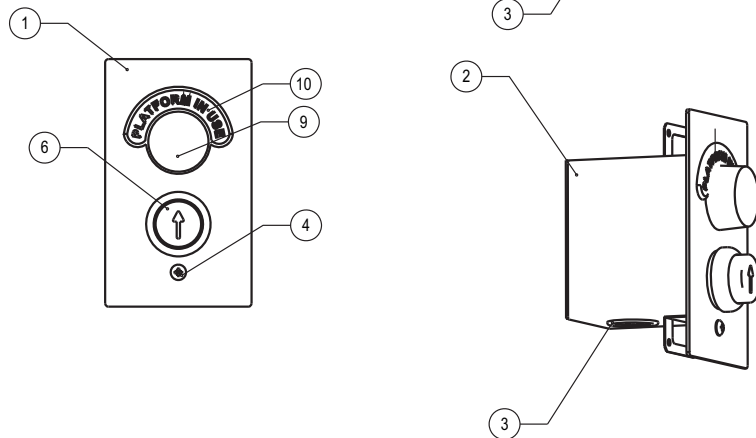
Hall call (flush remote) up/down  
320051



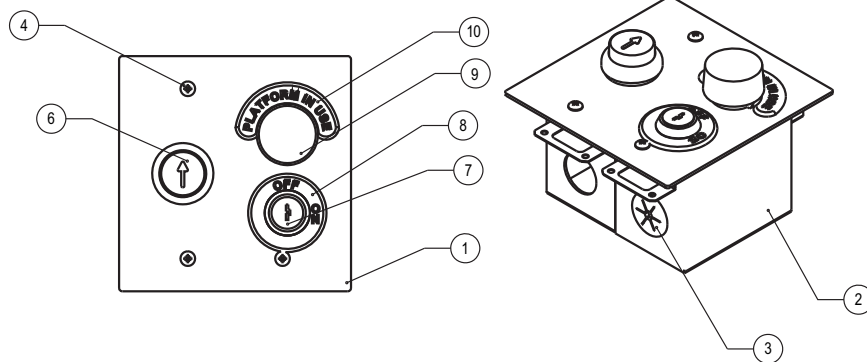
Hall call (flush remote) up/down, key  
320053



Hall call (flush remote) up/down, light  
320055



Hall call (flush remote)  
up/down, light, key  
320055

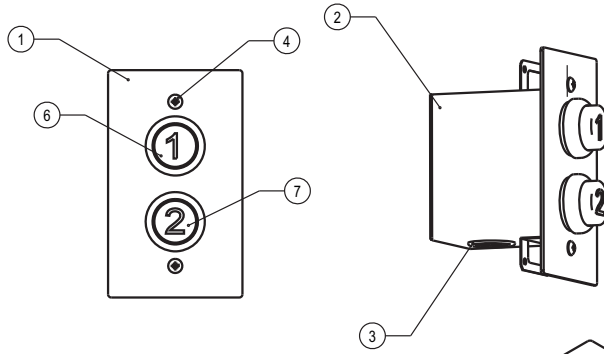


**Hall calls (flush remote) up/down**

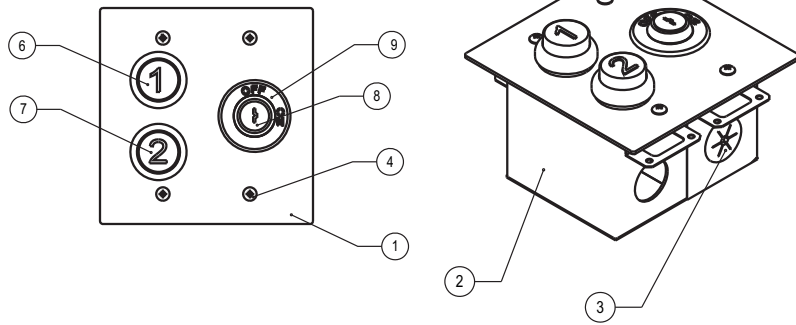
<b>Item</b>	<b>Part number</b>	<b>Description</b>
1	320052 320057 320062	PLT_FLUSH REMOTE CALL 1 RND PLT_FLUSH REMOTE CALL 2 RND PLT_FLUSH REMOTE CALL 3 RND
2	105607	BOX_ELEC 3" X 2" 1104-K
3	102298	BSHG_UNIVERSAL SNAPIN 7/8
4	105506	MS_THP 6-32X3/4 S/S
6	106678	PBTN_BLANK WITH 1X NO CONTACT
7	102268	SW_KEY N/O RMV OFF
8	222711	LABEL_KEY ON/OFF
9	105519	LIGHT_IN USE RED
10	222712	LABEL_PLTFM IN USE VPL

## Hall calls (flush remote) call/send

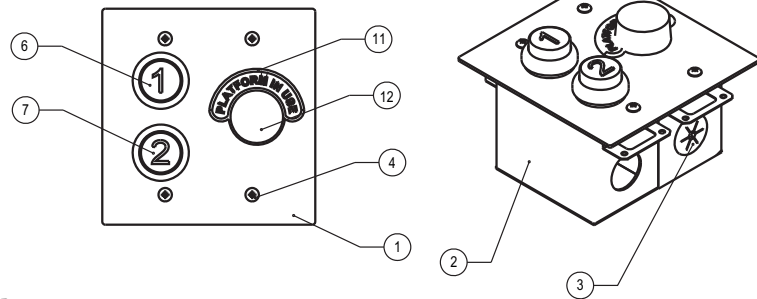
Hall call (flush remote) call/send  
320056



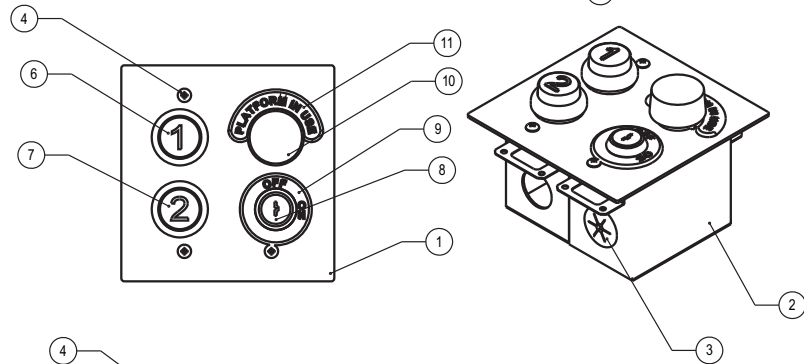
Hall call (flush remote) call/send, key  
320059



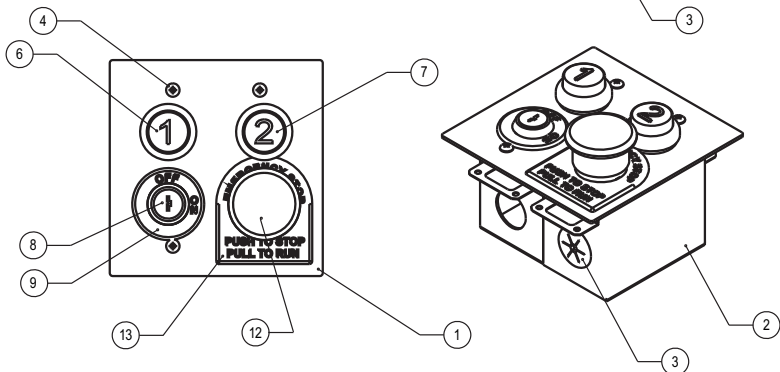
Hall call (flush remote) call/send, light  
320061



Hall call (flush remote) call/send, light, key  
320063



Hall call (flush remote) call/send, key, E-stop  
320063





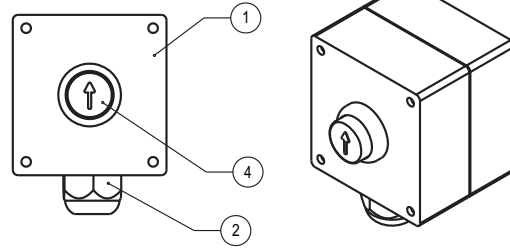
## Hall calls (flush remote) call/send

Item	Part number	Description
1	320057 320062 320065	PLT_FLUSH REMOTE CALL 2RND PLT_FLUSH REMOTE CALL 3 RND PLT_FLUSH REMOTE CALL 4 RND
2	105607	BOX_ELEC 3" X 2" 1104-K
3	102298	BSHG_UNIVERSAL SNAPIN 7/8
4	105506	MS_THP 6-32X3/4 S/S
6	106672	PBTN_1 WITH 1X NO CONTACT
7	106673	PBTN_2 WITH 1X NO CONTACT
8	102268	SW_KEY N/O RMV OFF
9	222711	LABEL_KEY ON/OFF
10	105519	LIGHT_IN USE RED
11	222712	LABEL_PLTFM IN USE VPL
12	105117	BTN_STOP EMRG PSH/STP PULL 1NC
13	222709	LABEL_EMRG STOP PUSH/PULL

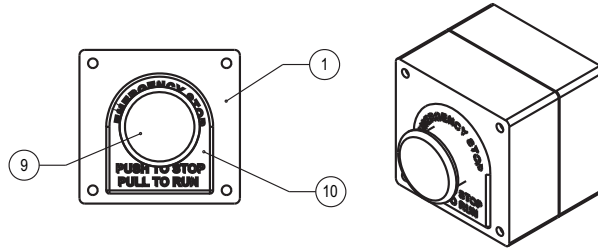
## Hall calls (surface remote)

### Hall calls (surface remote) up/down

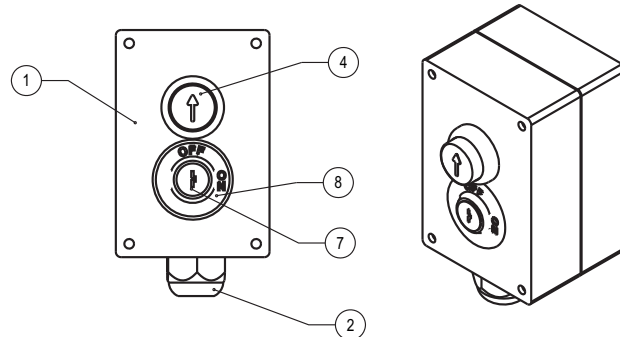
Hall call (surface remote) up/down  
320066



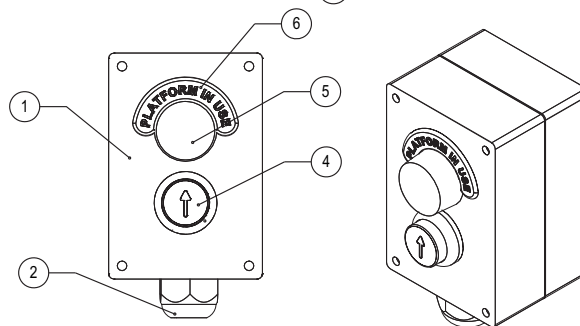
Hall call (surface remote) E-stop  
320070



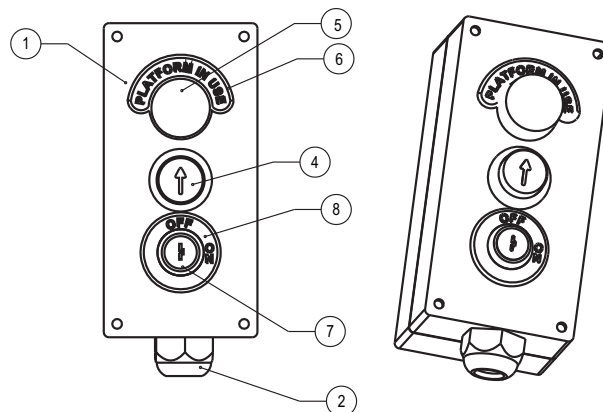
Hall call (surface remote) up/down, key  
320068



Hall call (surface remote) up/down, light  
320069



Hall call (surface remote) up/down, key, light  
320073

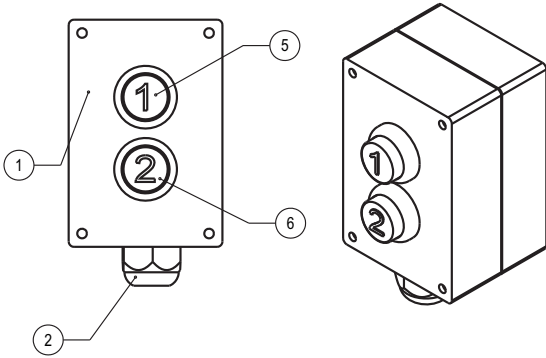


## Hall calls (surface remote) up/down

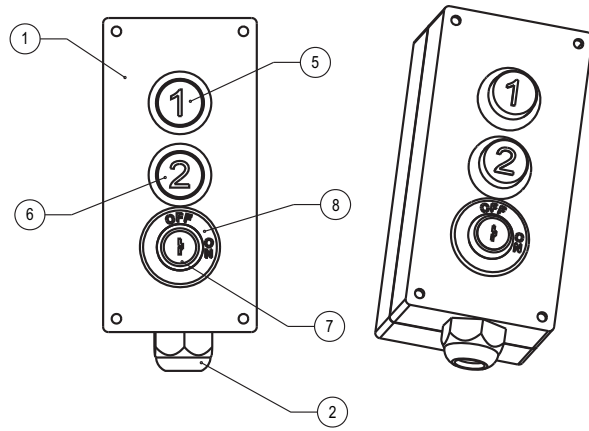
Item	Part number	Description
1	243626 105703 243627	BOX_HALL CALL PLASTIC 1 HOLE BOX_HALL CALL PLASTIC 2 HOLES BOX_HALL CALL PLASTIC 3 HOLES
2	105298	CON_SEAL TWR CC-NPT-12-B
3	103618	NUT_LOCK 1/2-13 HVY JAM
4	106678	PBTN_BLANK WITH 1X NO CONTACT
5	105519	LIGHT_IN USE RED
6	222712	LABEL_PLTFM IN USE VPL
7	102268	SW_KEY N/O RMV OFF
8	222711	LABEL_KEY ON/OFF
9	105117	BTN_STOP EMRG PSH/STP PULL 1NC
10	222709	LABEL_EMRG STOP PUSH/PULL

## Hall calls (surface remote) call/send

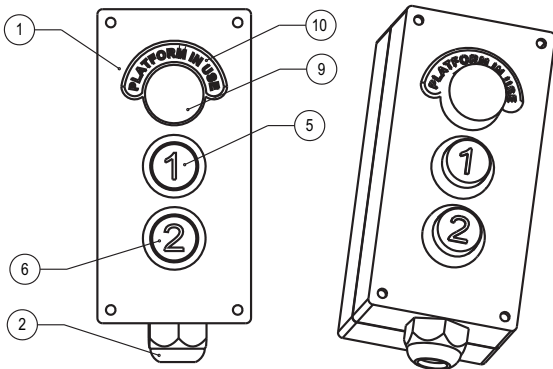
Hall call (surface remote) call/send  
320067



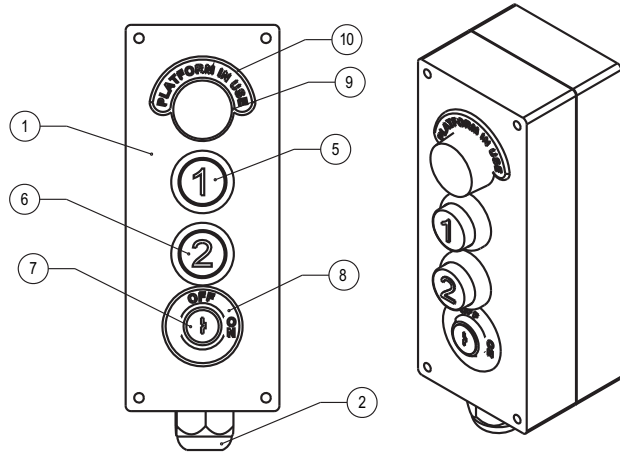
Hall call (surface remote) call/send, key  
320071



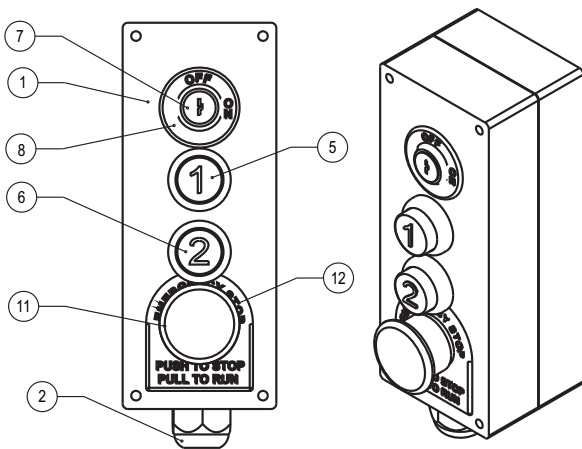
Hall call (surface remote) call/send, light  
320072



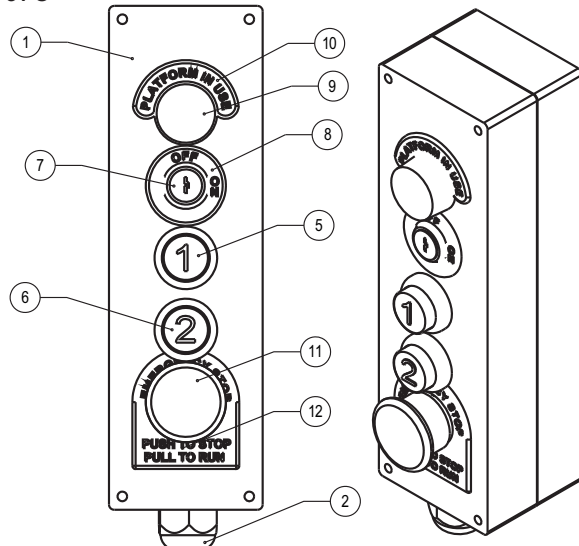
Hall call (surface remote) call/send, key, light  
320075



Hall call (surface remote) call/send, key, E-stop  
320074



Hall call (surface remote) call/send, key, light, E-stop  
320078



## Hall calls (surface remote) call/send

Item	Part number	Description
1	105703 243627 ZGE-22 106297	BOX_HALL CALL PLASTIC 2 HOLES BOX_HALL CALL PLASTIC 3 HOLES BOX_HALL CALL PLASTIC 4 HOLES BOX_HALL CALL PLASTIC 5 HOLES
2	105298	CON_SEAL TWR CC-NPT-12-B
3	103618	NUT_LOCK 1/2-13 HVY JAM
5	106672	PBTN_1 WITH 1X NO CONTACT
6	106673	PBTN_2 WITH 1X NO CONTACT
7	102268	SW_KEY N/O RMV OFF
8	222711	LABEL_KEY ON/OFF
9	105519	LIGHT_IN USE RED
10	222712	LABEL_PLTFM IN USE VPL
11	105117	BTN_STOP EMRG PSH/STP PULL 1NC
12	222709	LABEL_EMRG STOP PUSH/PULL

---

## Operators

<b>Part number</b>	<b>Description</b>
300698	OPRTR_PRODOOR III LH SWING
300697	OPRTR_PRODOOR III RH SWING
323060	LINKAGE (OPERATOR ARMS) Ordered separately from operator

## Miscellaneous items

### Documents

Part number	Description
000628	GUIDE_INSTALLATION, TELECAB
000627	MANUAL_OWNER'S, TELECAB
000797	SCHEMATICS_ELECTRICAL TELECAB
000992	SCHEMATICS_ELECTRICAL, DC ONLY, TELECAB
000698	GUIDE_PLANNING, TELECAB
000662	CATALOGUE_PARTS, TELECAB

### Keys, tools, paint

Part number	Description
105767	BIT_DRVR SECURITY SCRW 8-32
102270	KEY_2252
105479	KEY_ALLEN 1/4 6" LONG
105542	KEY_MECH CHICAGO 2003
106736	KEY_MECH CHICAGO 2007
200438-C	BUTTONS_TEMPORARY VC MODIFIED
103166	PAINT_TOUCH-UP WHT ARCH LA-16

### Battery

Part number	Description
105545	BATTERY_12V 7AHR
242938	TRAY_BATTERY DC DRIVE

### Harnesses

Part number	Description
320698	HRNS_TRAVEL CABLE
243167	HRNS_V1504 PHONE JACK
323236	HRNS_V1504 JUMPER
245689	HRNS_V-1504 PLUS VALVE
245689-20	HRNS_V-1504 PLUS VALVE 20'
320697	HRNS_MOTOR V-1504
243165	HRNS_V1504 POWER CORD
242975	HOLDER_CABLE TOWER V-1504 PLUS

# **Telecab Vertical Platform Lift PARTS CATALOGUE**

Part No. 000662  
Copyright © 2018

Savaria Concord Lifts, Inc.  
[www.savaria.com](http://www.savaria.com)

Support  
2 Walker Drive  
Brampton, Ontario, L6T 5E1, Canada  
Toll free: (800) 791-7999  
Fax: (905) 791-2222

