

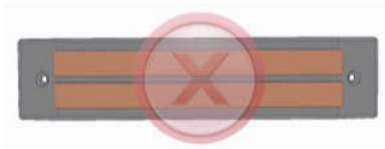
SETTING MODE

Accessing Setting Mode

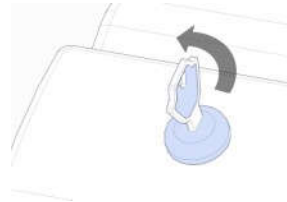
Accessing to "Setting Mode" is required to:

1. Select RH or LH installation
2. Select IR or RF remote operation
3. Select Auto Hinge or complete setting process

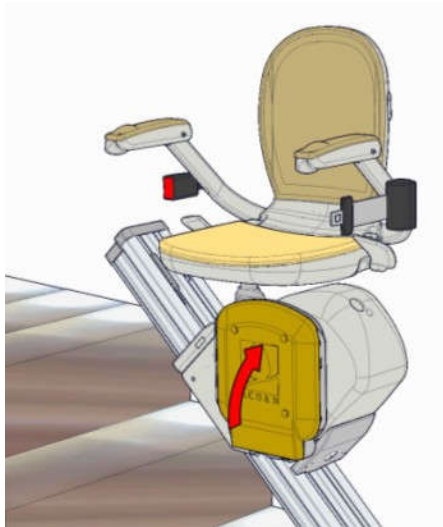
To access "Setting Mode":



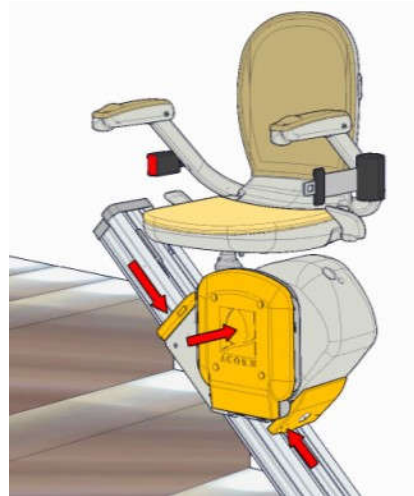
Position the lift away from the charge point



Turn the Key Off



Fold the footplate up

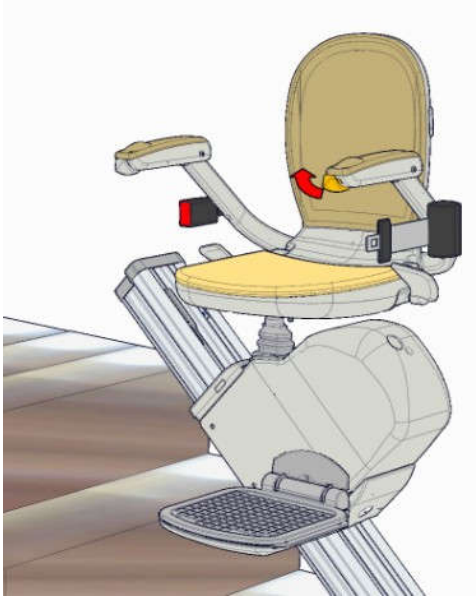


Simultaneously, press and hold the up carriage safety cover (E5) the down carriage safety cover (E4) and the underside of the footplate (E1) for 4 seconds.

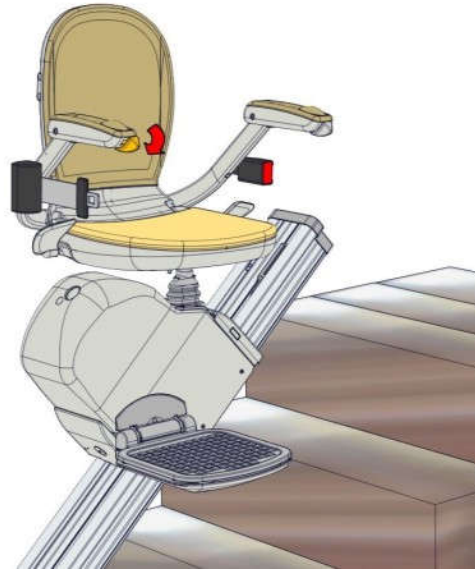
The lift will display P1.

Step 1 Setting The Hand of the Powered Swivel

Up call for **RH**



Down Call for **LH**

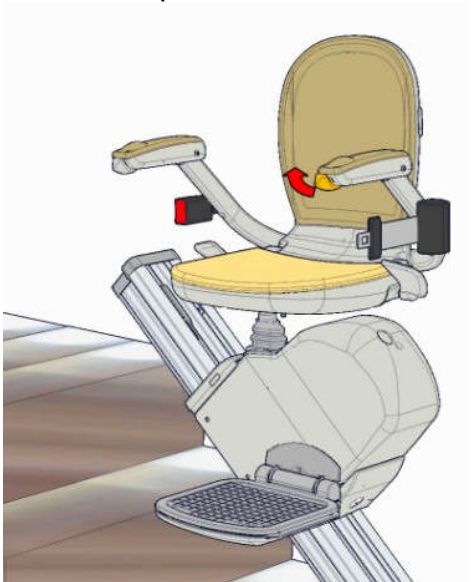


The lift will display rh or lh, continue to step 2

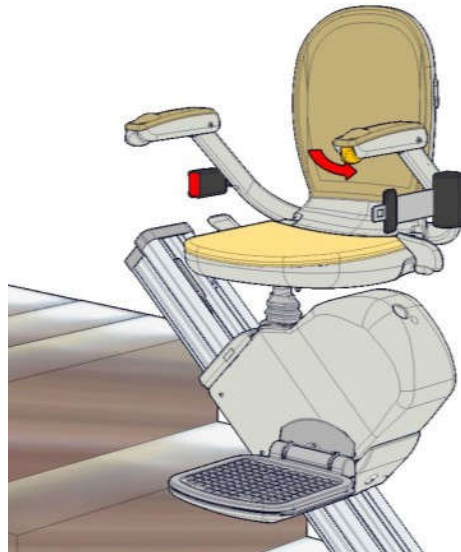
Step 2 Setting The Remote Control Type

With **rh** or **lh** showing on the display, use the arm toggle to select the remote control type.

Up call to select **IR**



Down call to select **RF**

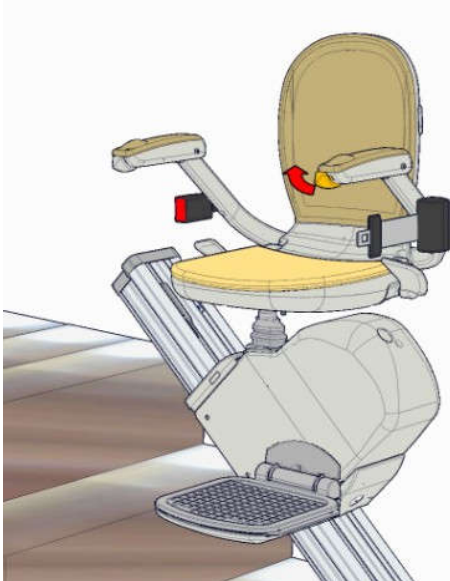


The lift will display ir or rf, continue to step 3

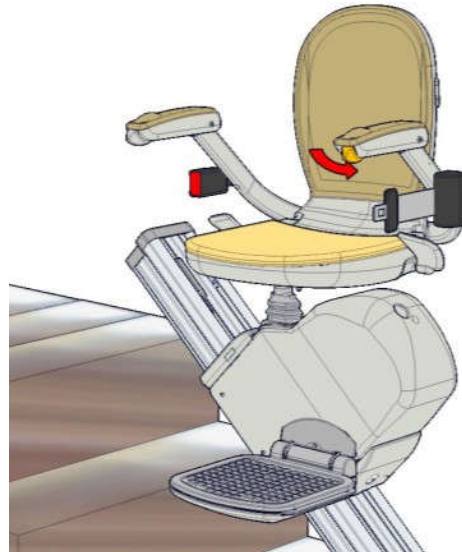
Step 3 Setting The Powered Hinge

With **ir** or **rf** showing on the display, use the arm toggle to select if the lift has or not an Auto Hinge section.

Up call to select Auto Hinge

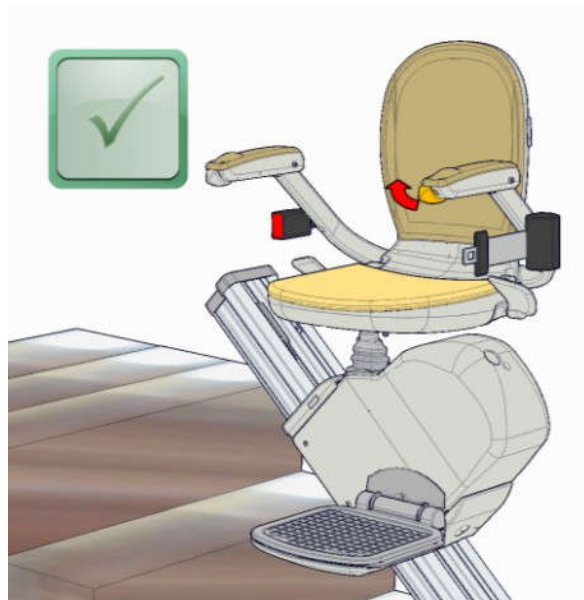


Down call to complete settings



The lift will display AH or E9, continue to step 4 if AH has been selected

Step 4 Saving The Settings



Press UP to save the settings.
The lift will beep twice to confirm acceptance.