



57 South Commerce Way #300, Bethlehem PA 18017  
(610) 443-2282

**Customer:** \_\_\_\_\_

**Address:** \_\_\_\_\_

**Phone:** \_\_\_\_\_

**Contact:** \_\_\_\_\_


**Project Name:** \_\_\_\_\_

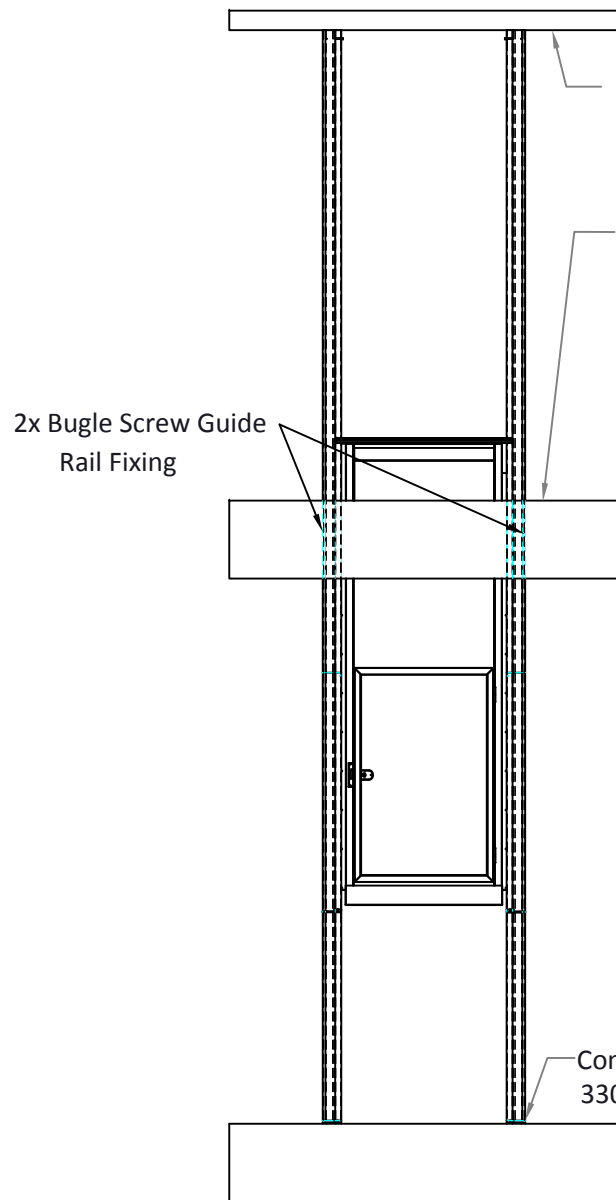
**Location:** \_\_\_\_\_



The information contained herein is the exclusive property of Stiltz Ltd. and shall not be distributed, reproduced, or disclosed in whole or in part without prior written permission of Stiltz Ltd.



©		TITLE	
Drawn	Wagon Wang	Date	2018/09/01
		DIMENSIONS IN MM UNLESS OTHERWISE NOTED	
		THIRD ANGLE PROJECTION - AS 1100	
A4	Dwg No	CUSTOMER. 01	PAGE
	SCALE:		1 OF 17











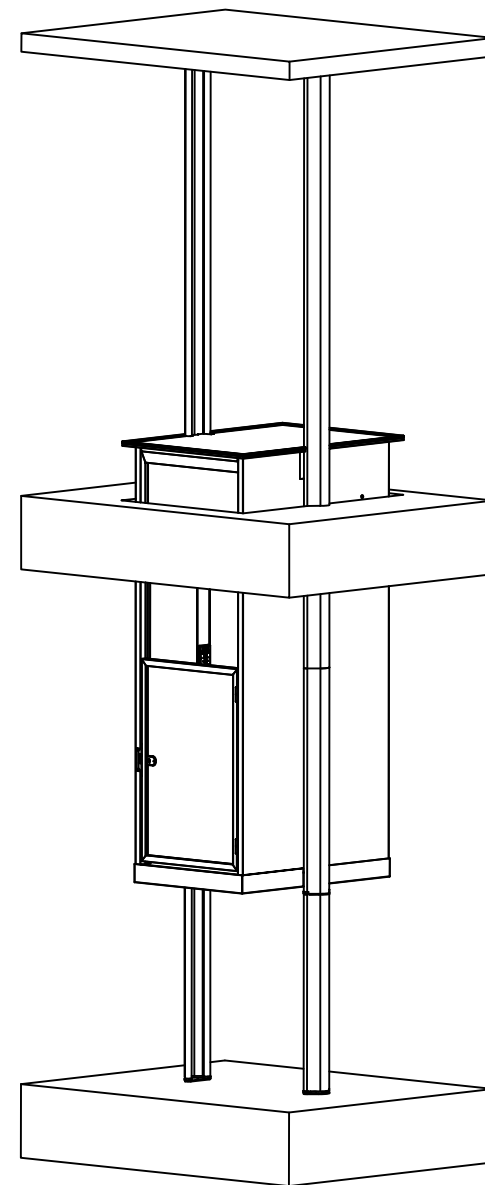
No compression load on ceiling  
Possible lateral load of 8kg(17.6 Lbs)  
2 fixed pins in shear with ceiling

No load bearing on 1st floor  
fixings used to maintain rail guage

**Technical Information**


Trio Classic, Vista, Thru

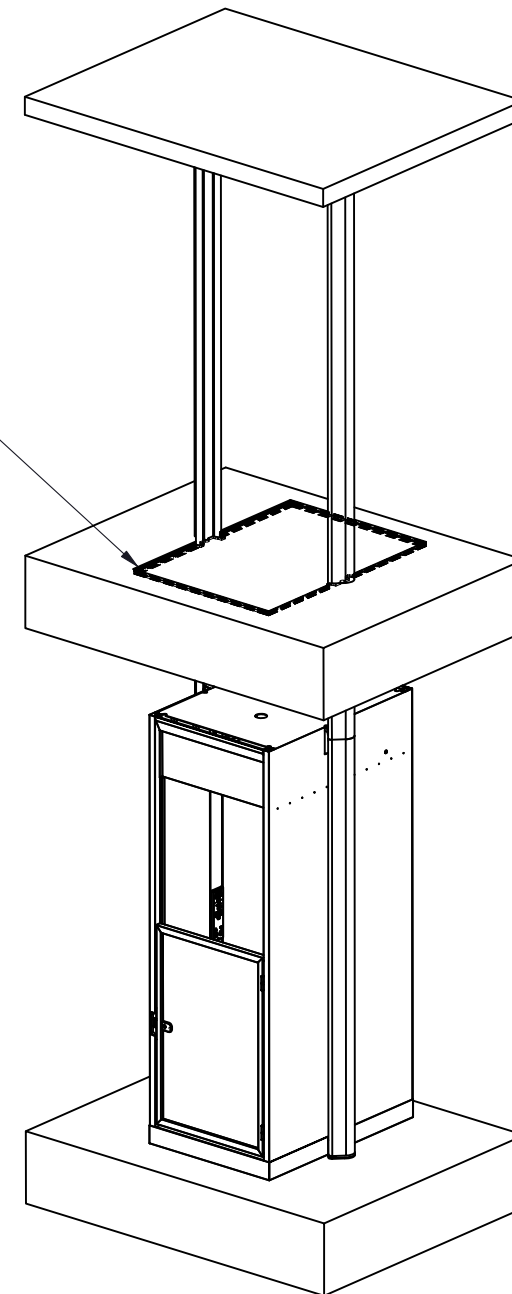
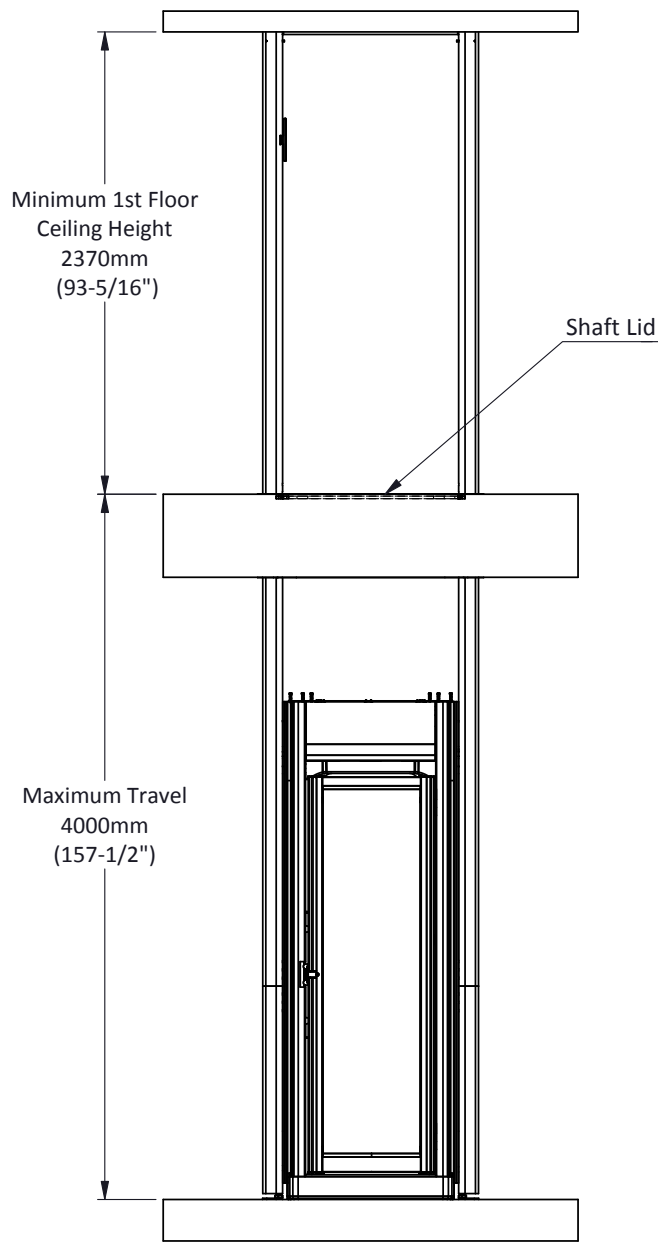
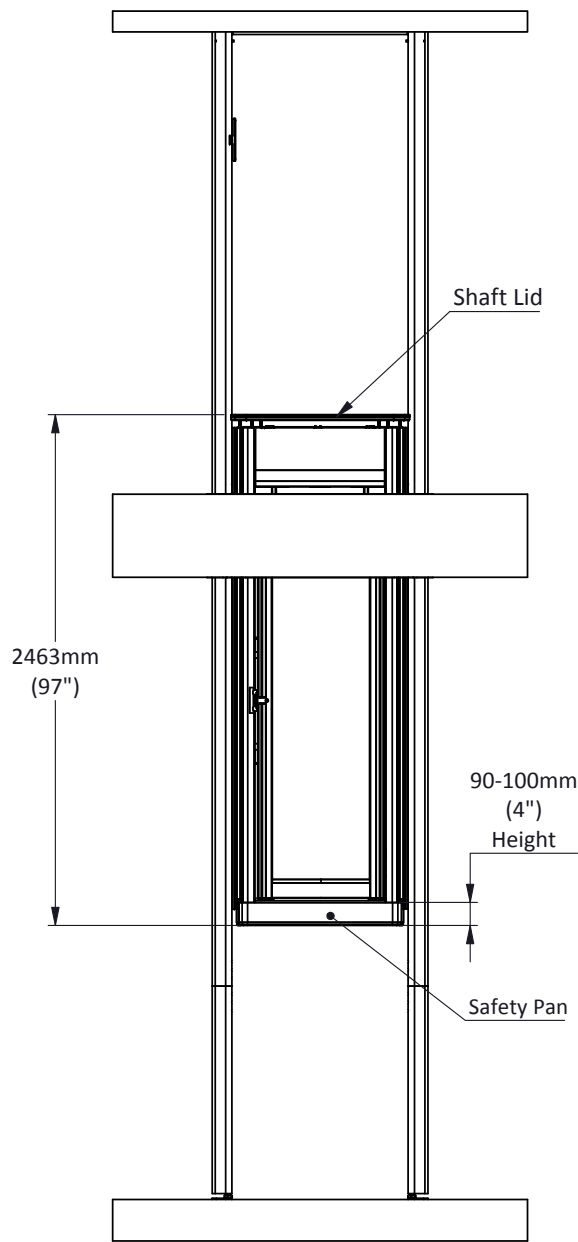
-  **DRIVE SYSTEM:**  
Roped Drum, Braked Gear Motor Drive
-  **CAPACITY:**  
MAX Capacity 220kg (385 Lbs) / 3persons
-  **TRAVEL:**  
Up to 4000mm(157-1/2")
-  **NO of FLOORS:**  
2 Maximum
-  **SUPPLY VOLTAGE:**  
240v 1PH 50HZ/60HZ
-  **RUNNING CURRENT:**  
4-6 AMP
-  **STARTING CURRENT:**  
5-8 AMP
-  **STANDARD COLOUR:**  
Signal White (RAL 9003)



The information contained herein is the exclusive property of Stiltz Ltd. and shall not be distributed, reproduced, or disclosed in whole or in part without prior written permission of Stiltz Ltd.



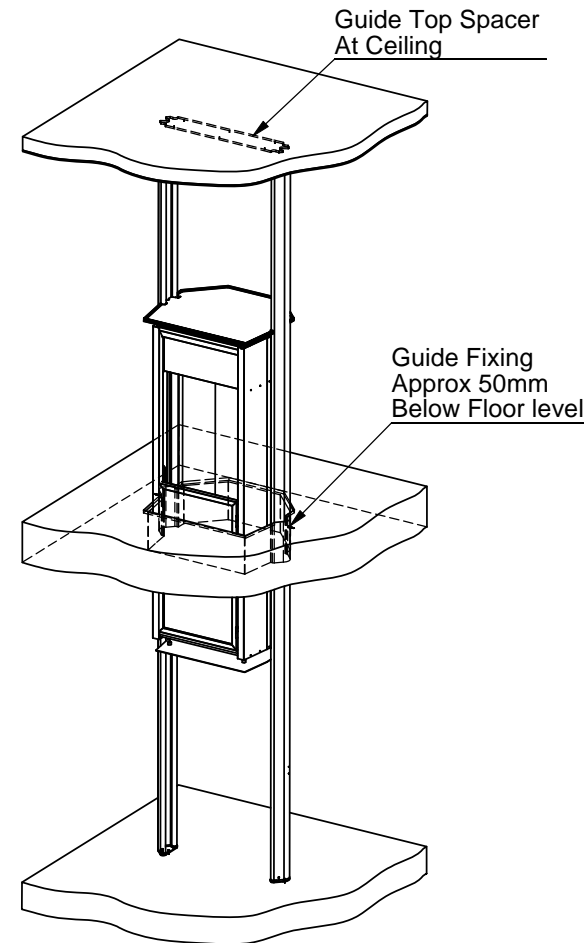
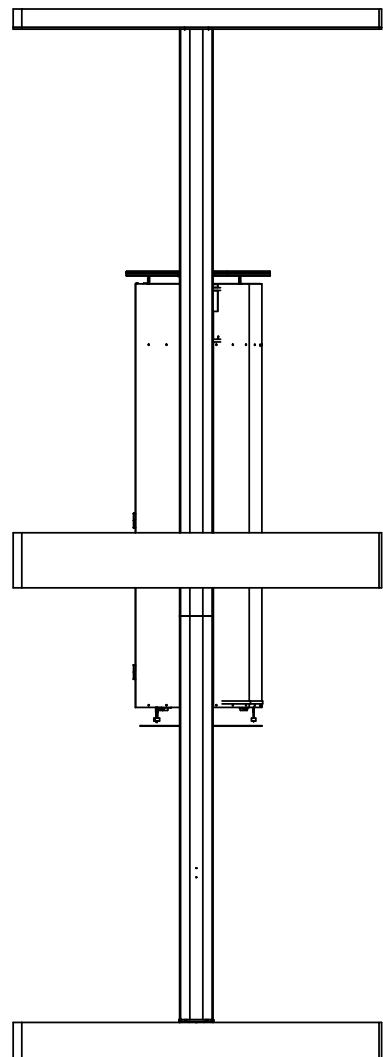
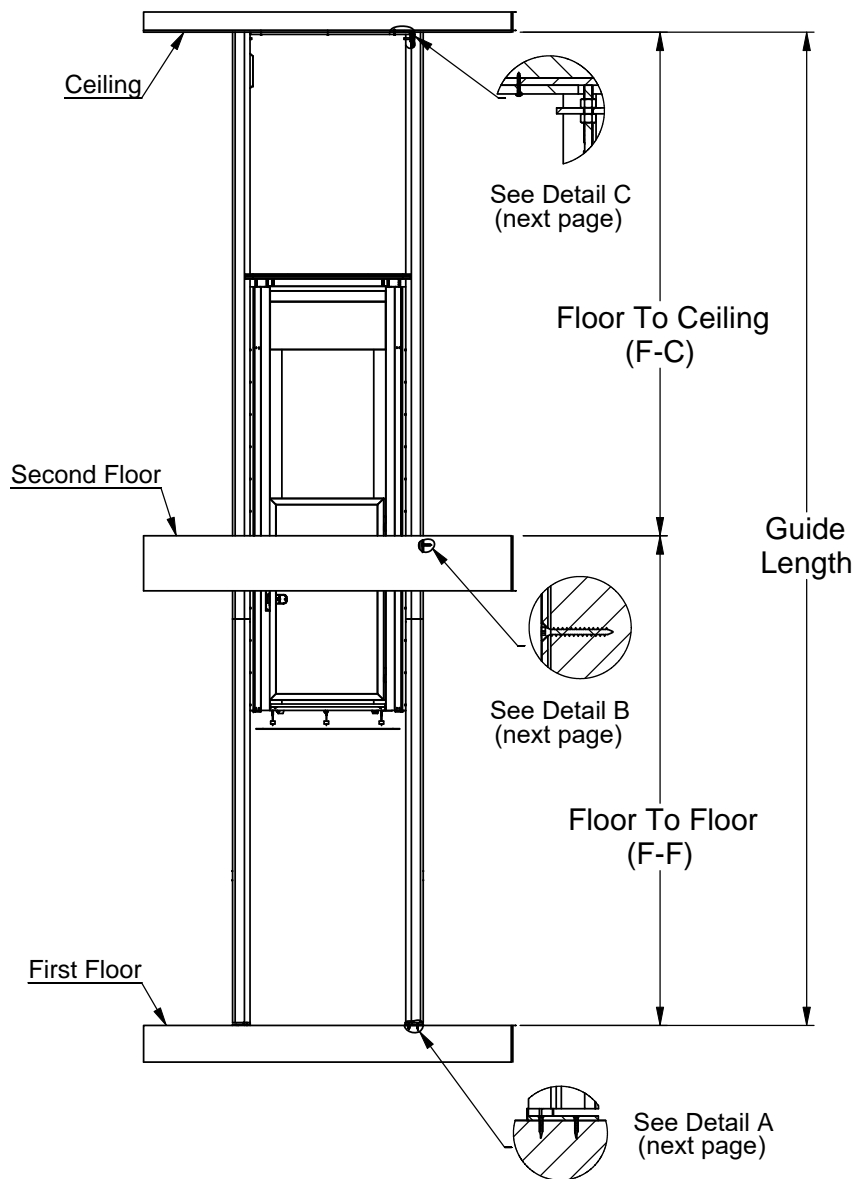
©		TITLE	
Drawn	Wagon Wang	Date	2018/09/01
 DIMENSIONS IN MM UNLESS OTHERWISE NOTED THIRD ANGLE PROJECTION - AS 1100		A4	Dwg No <b>CUSTOMER. 02</b>
		SCALE:	PAGE 2 OF 17



The information contained herein is the exclusive property of Stiltz Ltd. and shall not be distributed, reproduced, or disclosed in whole or in part without prior written permission of Stiltz Ltd.



©		TITLE	
Drawn Wagon Wang		Trio Classic Lift Travel	
Date 2018/09/01		Dwg No CUSTOMER.03	
 THIRD ANGLE PROJECTION - AS 1100		DIMENSIONS IN MM UNLESS OTHERWISE NOTED A4 SCALE:	
		PAGE 3 OF 17	



**Note: Duo range shown in isometric and elevation views, same points are applicable to Trio range.**

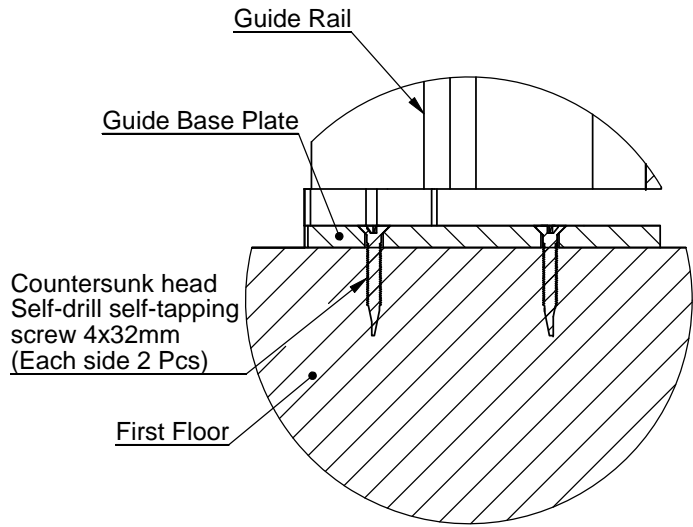


The information contained herein is the exclusive property of Stiltz Ltd. and shall not be distributed, reproduced, or disclosed in whole or in part without prior written permission of Stiltz Ltd.

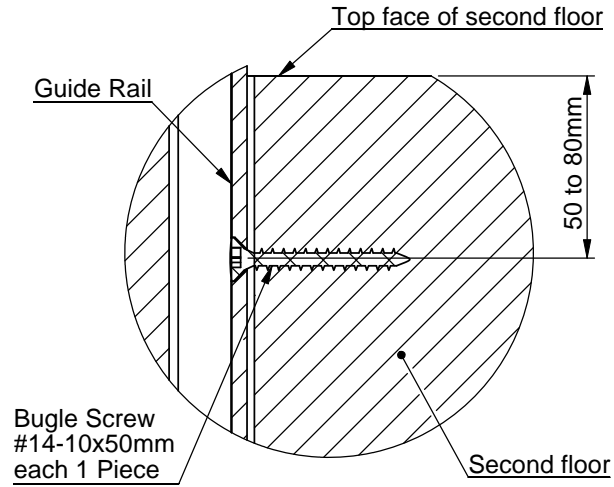


©		TITLE	
Drawn	Wagon Wang	Date	2018/09/01
THIRD ANGLE PROJECTION - AS 1100		DIMENSIONS IN MM UNLESS OTHERWISE NOTED	
A4		Dwg No	CUSTOMER. 04
SCALE:		PAGE	
		4 OF 17	

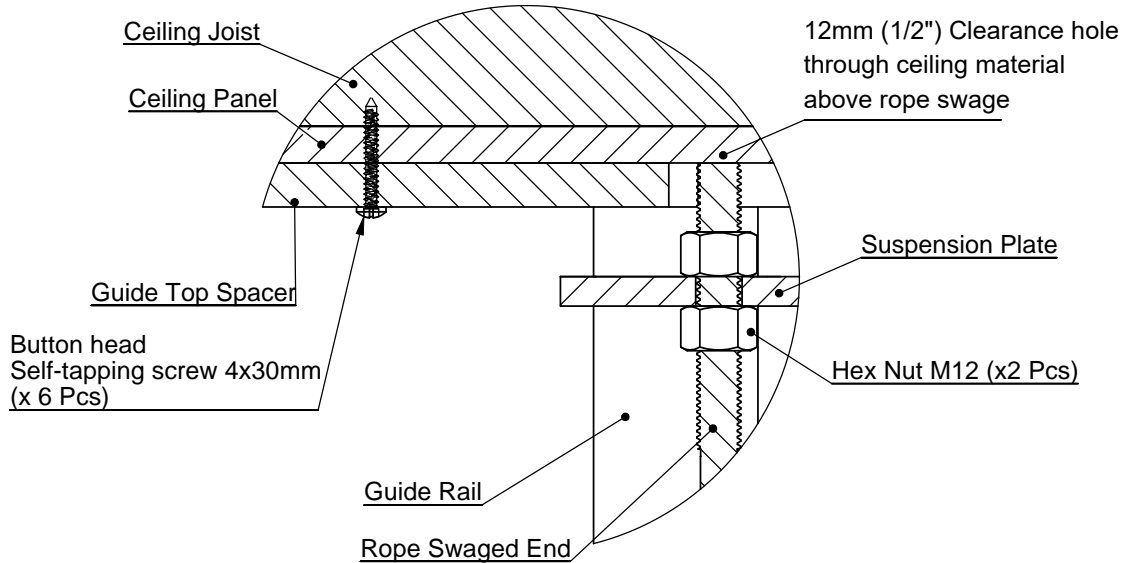
PRINT MAY BE REDUCED - DO NOT SCALE.



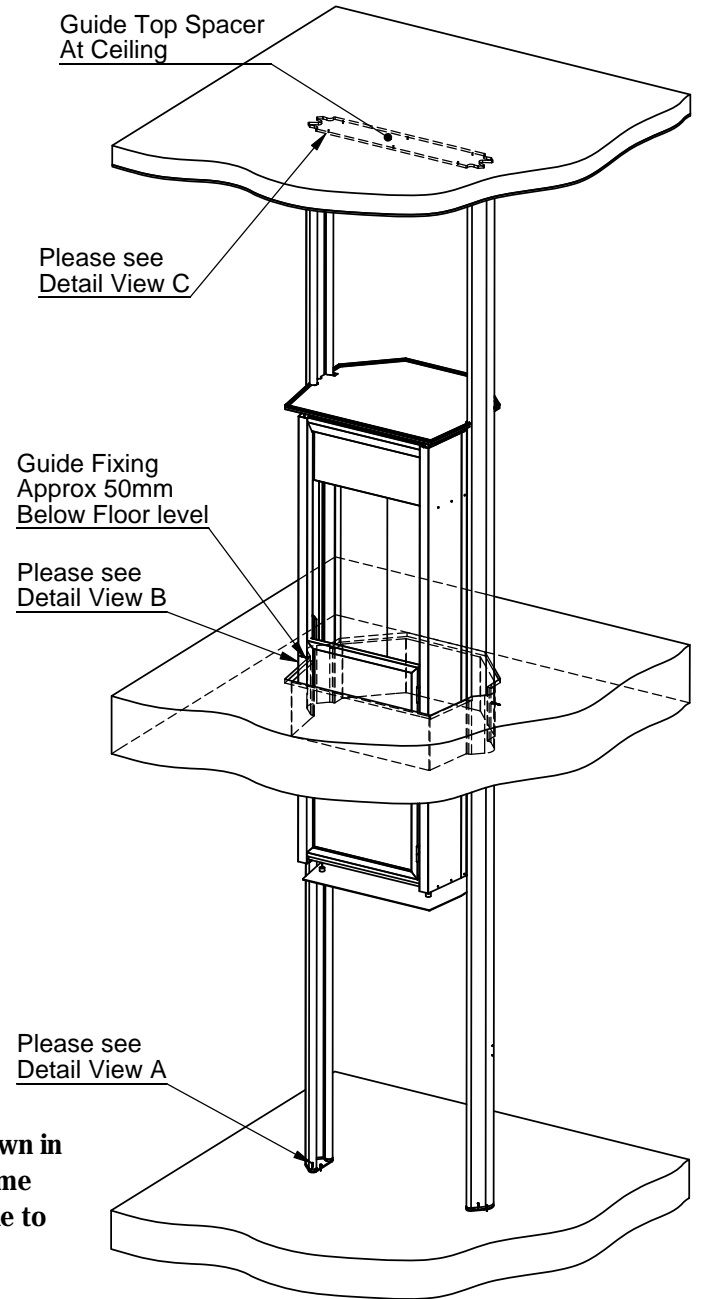
DETAIL A  
SCALE 1 : 2



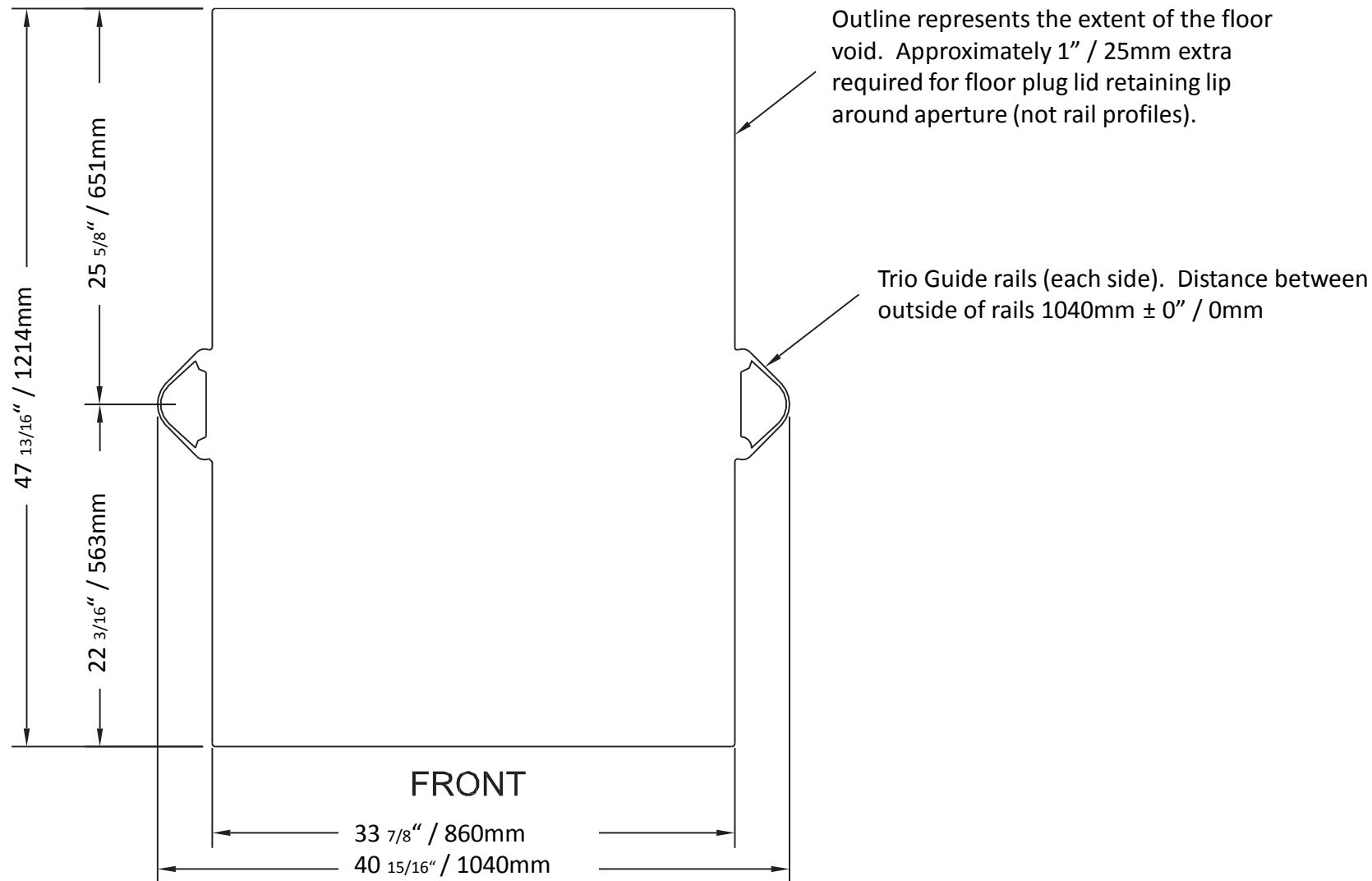
DETAIL B  
SCALE 1 : 2



DETAIL C  
SCALE 1 : 2



**Note: Duo range shown in isometric view, same points are applicable to Trio range.**



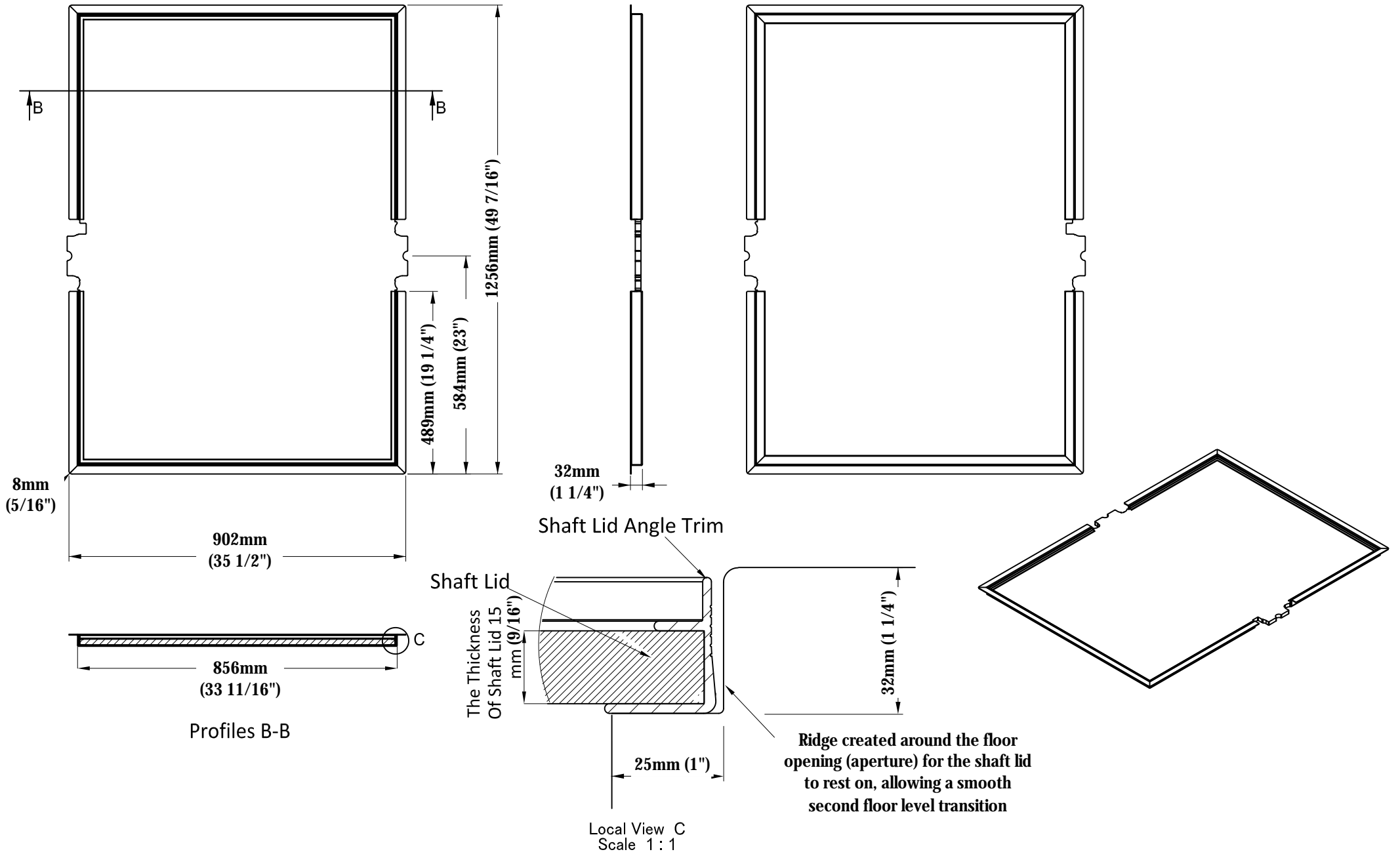
Dimensions for indication only -  
Use template for accurate marking of void



The information contained herein is the exclusive property of Stiltz Ltd. and shall not be distributed, reproduced, or disclosed in whole or in part without prior written permission of Stiltz Ltd.



©		TITLE	
Drawn	Wagon Wang	Date	2018/09/01
THIRD ANGLE PROJECTION - AS 1100		Trio Classic Floor Template	
DIMENSIONS IN MM UNLESS OTHERWISE NOTED		A4	Dwg No CUSTOMER. 06
		SCALE:	PAGE 6 OF 17

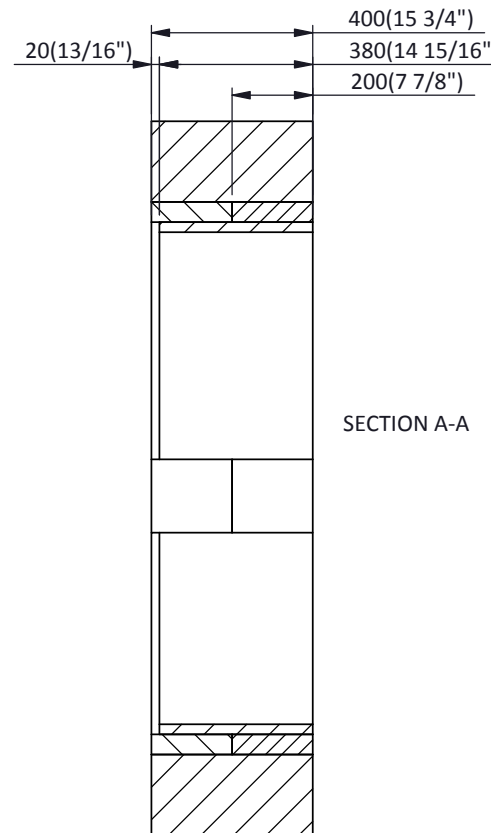
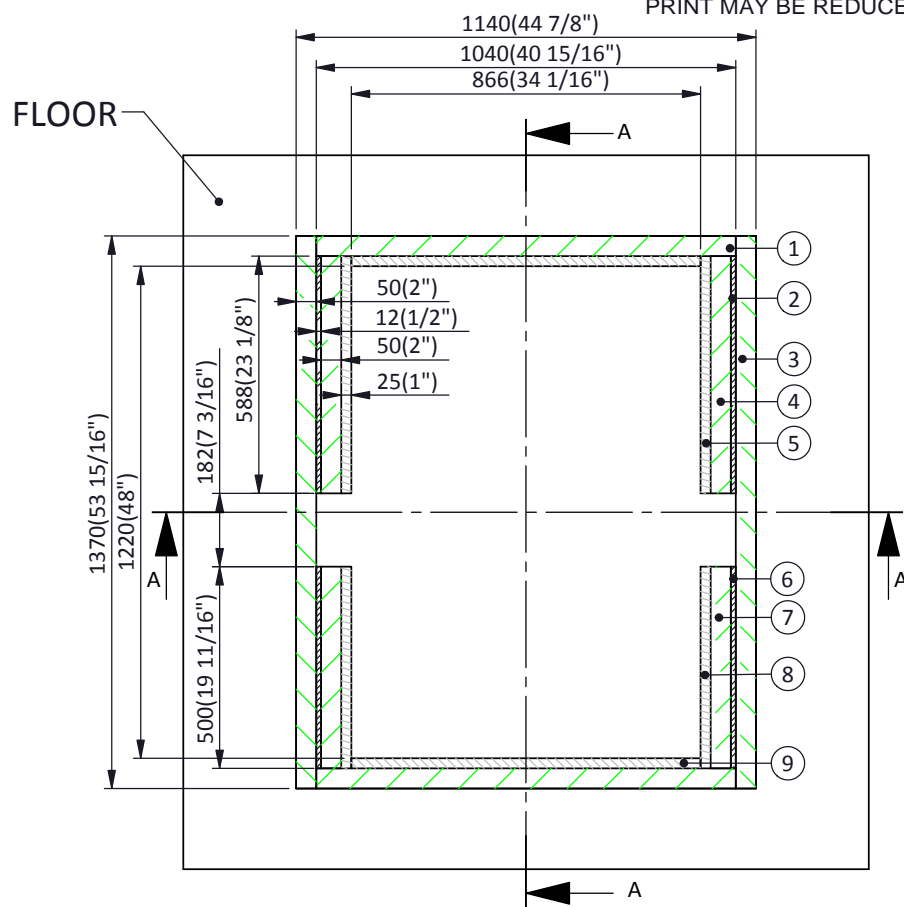


The information contained herein is the exclusive property of Stiltz Ltd. and shall not be distributed, reproduced, or disclosed in whole or in part without prior written permission of Stiltz Ltd.



©		TITLE	
Drawn Wagon Wang		Trio Classic Shaft Lid	
Date 2018/09/01			
DIMENSIONS IN MM UNLESS OTHERWISE NOTED		A4	
THIRD ANGLE PROJECTION - AS 1100		Dwg No CUSTOMER. 07	
		SCALE:	
		PAGE 7 OF 17	

PRINT MAY BE REDUCED - DO NOT SCALE.



SECTION A-A

S/N	Timber Name	Material	Length	Qty
1	Trio Support Timber 1	Timber 50*200mm	1040mm	4
2	Trio Support Timber 4	Timber 12*400mm	588mm	2
3	Trio Side Timber	Timber 50*200mm	1370mm	4
4	Trio Support Timber 2	Timber 50*200mm	588mm	4
5	Trio Shaft Lid Suppor Rib Side Back	Timber 25*380mm	588mm	2
6	Trio Support Timber 5	Timber 12*400mm	500mm	2
7	Trio Support Timber 3	Timber 50*200mm	500mm	4
8	Trio Shaft Lid Suppor Rib Side Front	Timber 25*380mm	500mm	2
9	Trio Shaft Lid Support Front Rib	Timber 25*380mm	866mm	2

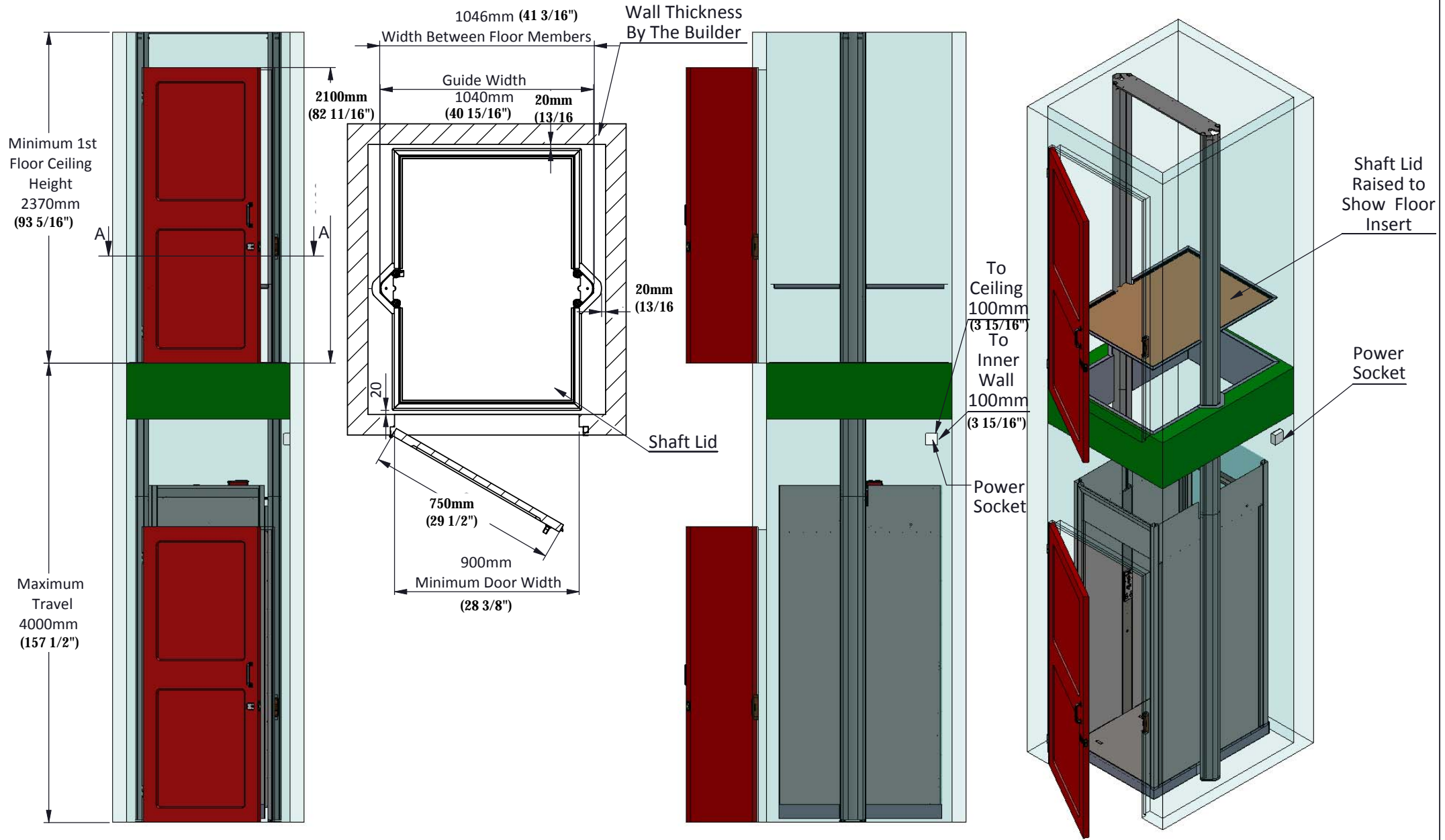


The information contained herein is the exclusive property of Stiltz Ltd. and shall not be distributed, reproduced, or disclosed in whole or in part without prior written permission of Stiltz Ltd.



©	TITLE		Trio Wooden Floor Cutout	
	Drawn	Wagon Wang	Date	2018/09/01
 THIRD ANGLE PROJECTION - AS 1100	DIMENSIONS IN MM UNLESS OTHERWISE NOTED		A4	Dwg No
				CUSTOMER. 08
SCALE:				8 OF 17

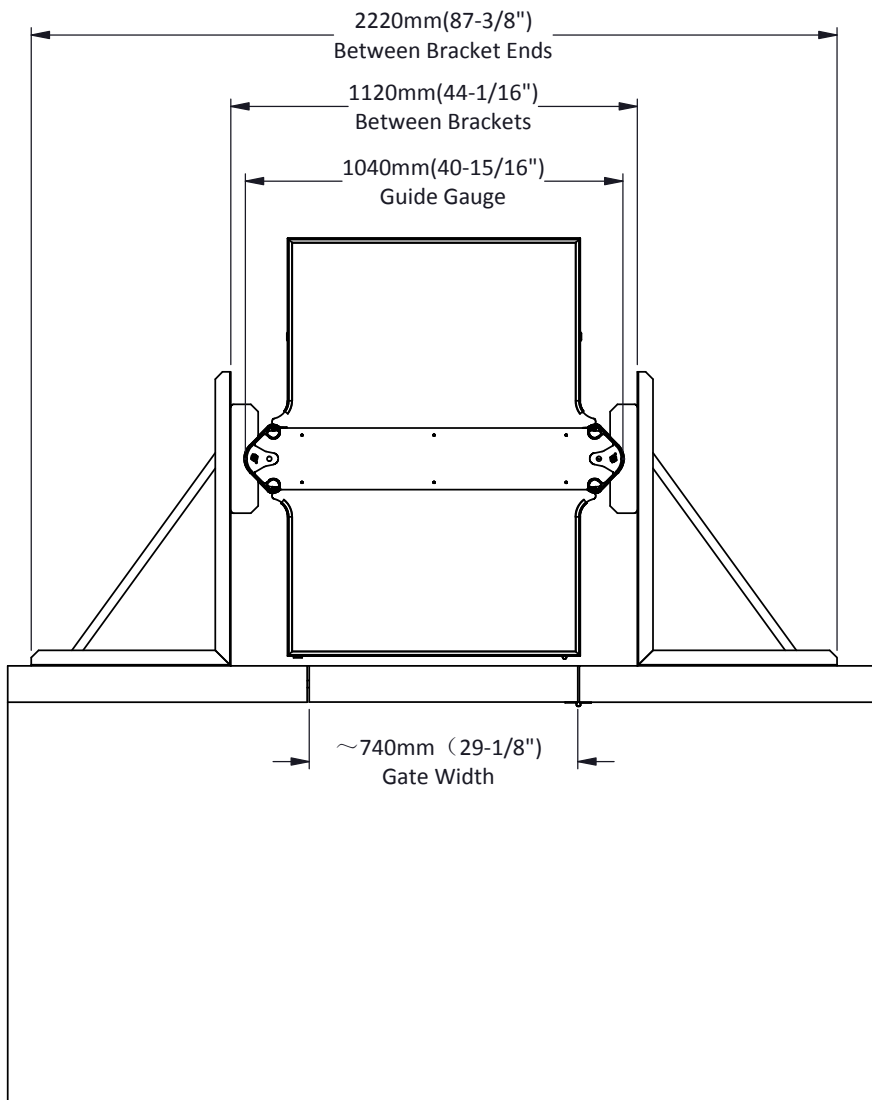




The information contained herein is the exclusive property of Stiltz Ltd. and shall not be distributed, reproduced, or disclosed in whole or in part without prior written permission of Stiltz Ltd.

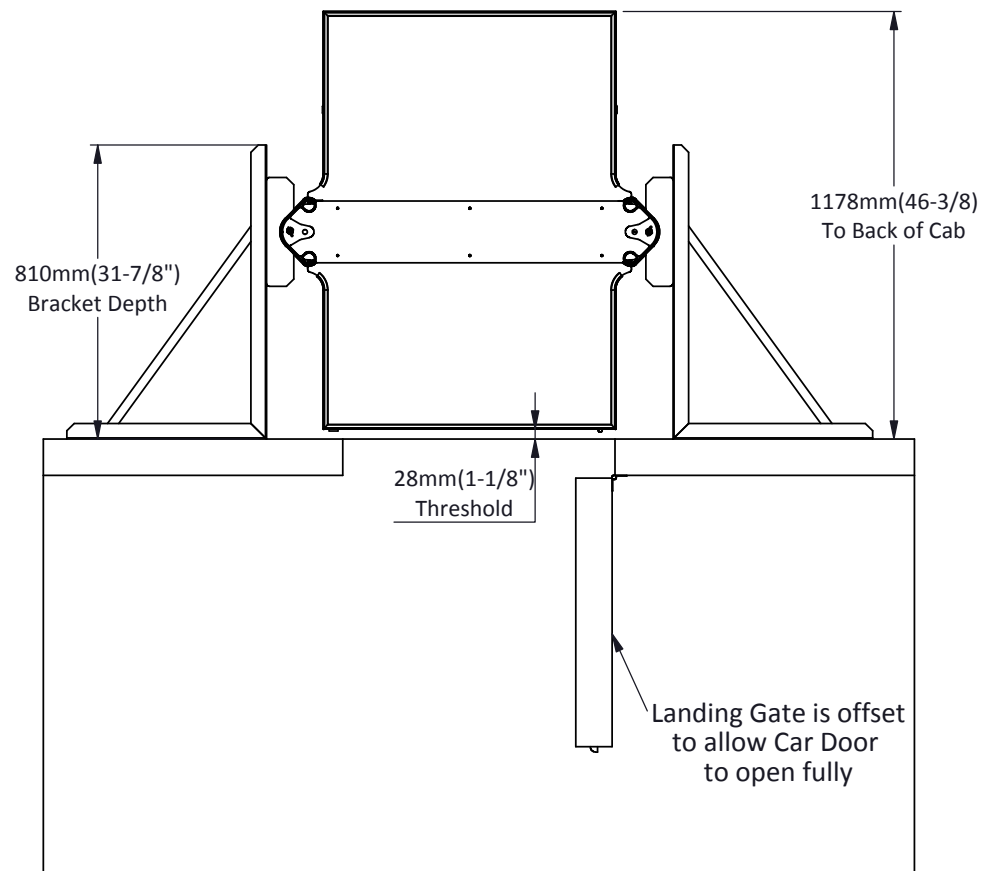


©		TITLE	
Drawn	Wagon Wang	Date	2018/09/01
THIRD ANGLE PROJECTION - AS 1100		DIMENSIONS IN MM UNLESS OTHERWISE NOTED	
A4	Dwg No	CUSTOMER.09	PAGE
SCALE:			9 OF 17



## LANDING APPLICATION ONLY WITH GUIDE BRACKETS AND BLOCKS

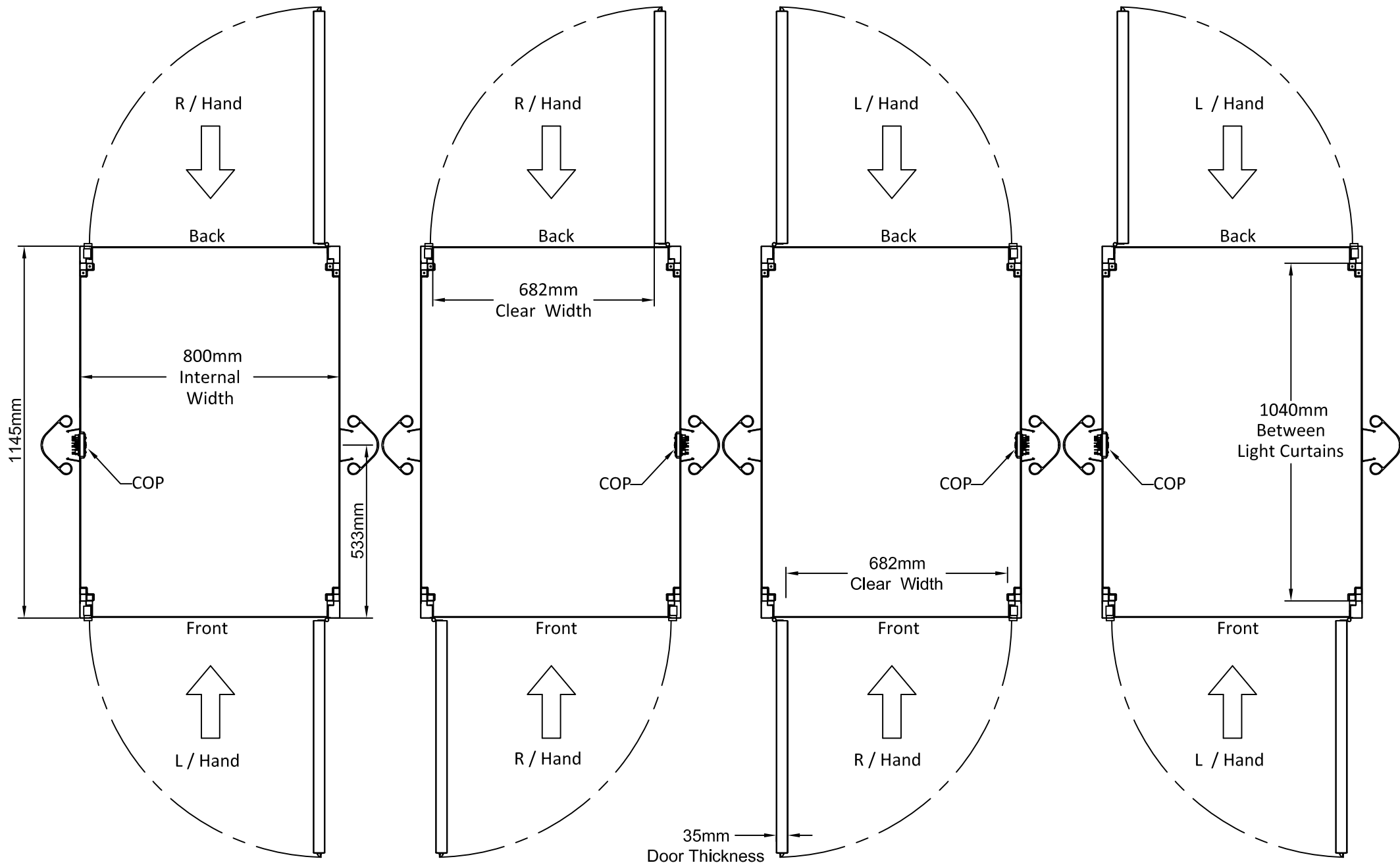
(NOT APPERTURE OR THRU FLOOR APPLICATIONS)



The information contained herein is the exclusive property of Stiltz Ltd. and shall not be distributed, reproduced, or disclosed in whole or in part without prior written permission of Stiltz Ltd.



©		TITLE	
Drawn	Wagon Wang	Date	2018/09/01
THIRD ANGLE PROJECTION - AS 1100		Landing Application	
DIMENSIONS IN MM UNLESS OTHERWISE NOTED		A4	Dwg No CUSTOMER. 10
		SCALE:	PAGE 10 OF 17

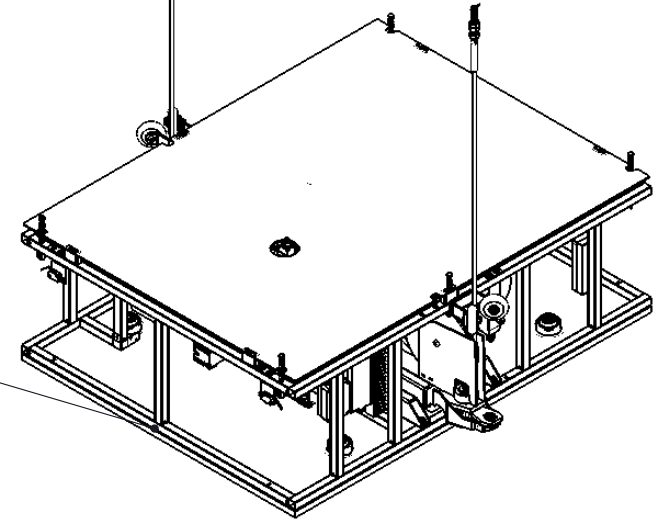
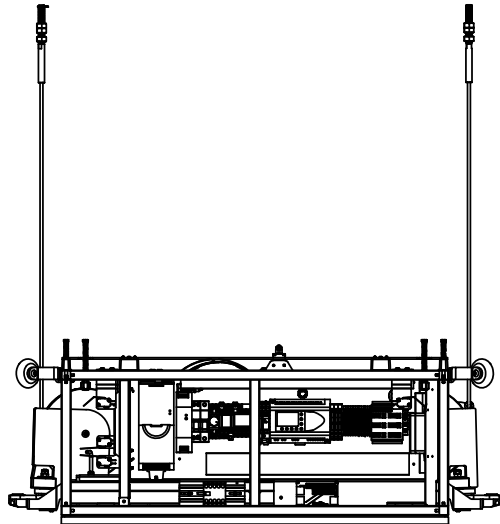
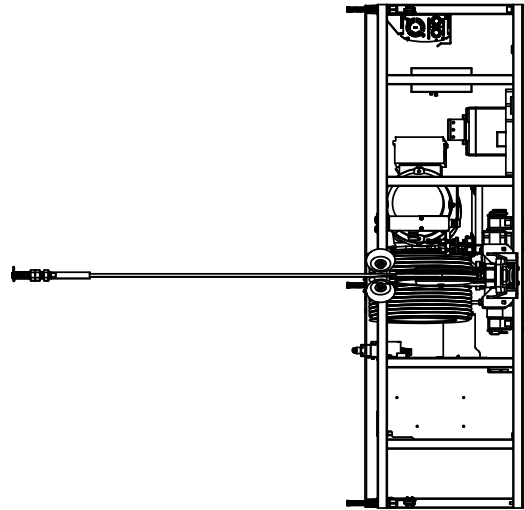
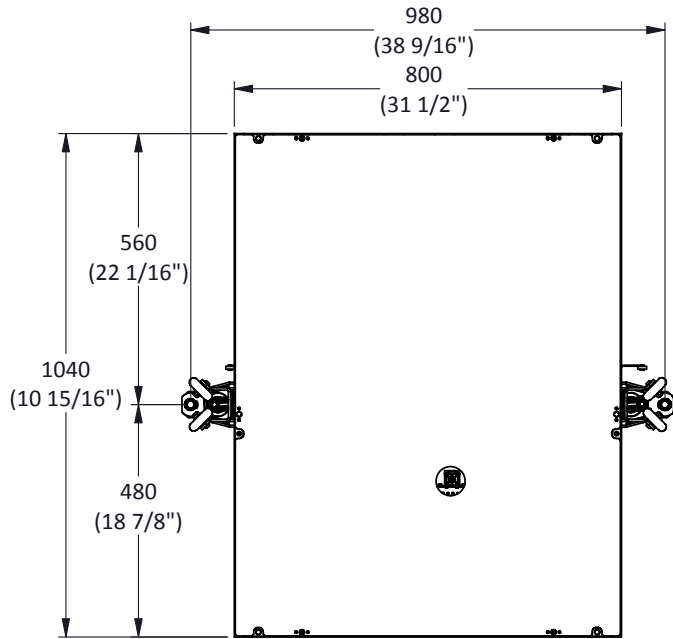


The information contained herein is the exclusive property of Stiltz Ltd. and shall not be distributed, reproduced, or disclosed in whole or in part without prior written permission of Stiltz Ltd.



©		TITLE	
Drawn	Wagon Wang	Date	2018/09/01
THIRD ANGLE PROJECTION - AS 1100		DIMENSIONS IN MM UNLESS OTHERWISE NOTED	
A4		Dwg No	CUSTOMER. 11
SCALE:		PAGE	
		11 OF 17	

PRINT MAY BE REDUCED - DO NOT SCALE.



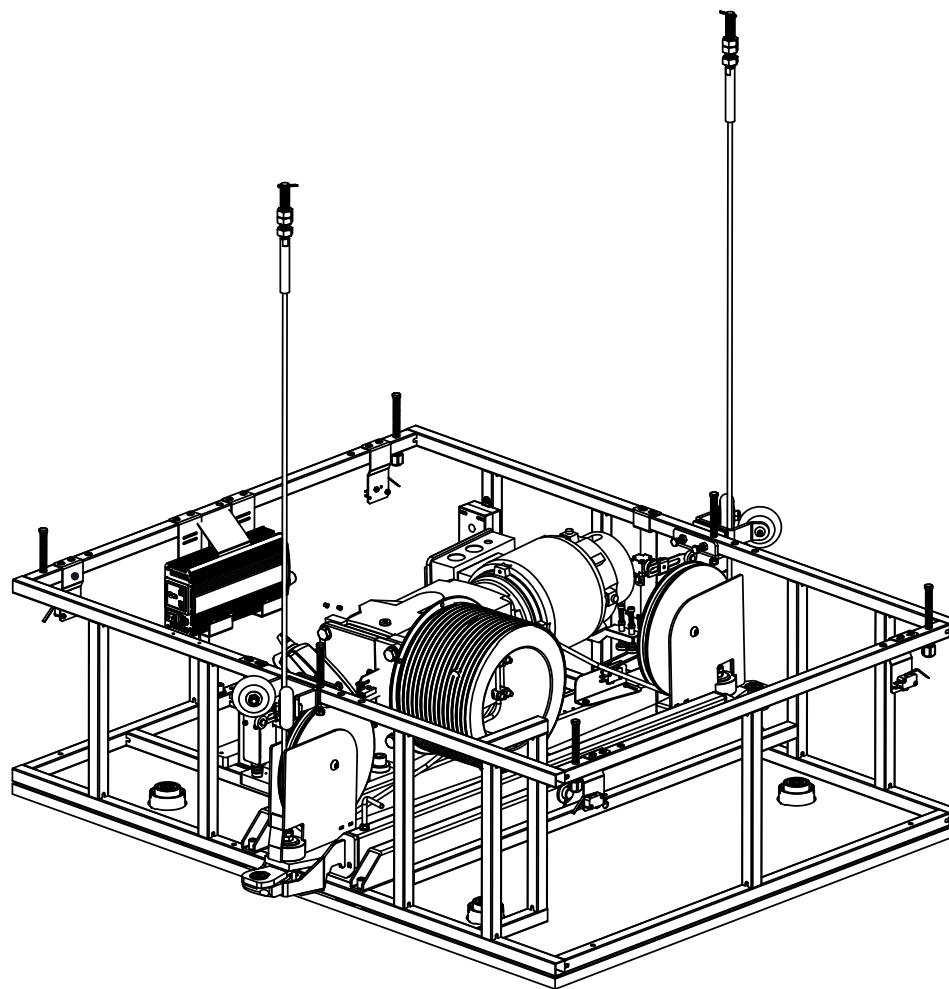
Trio Thru Ceiling Protection Panel  
P/N:28102-00021  
(Before install take off it)



The information contained herein is the exclusive property of Stiltz Ltd. and shall not be distributed, reproduced, or disclosed in whole or in part without prior written permission of Stiltz Ltd.




©		TITLE	
Drawn Wagon Wang		Trio Hoist Overview	
Date 2018/09/01			
THIRD ANGLE PROJECTION - AS 1100		A4	Dwg No CUSTOMER. 12
		SCALE:	PAGE 12 OF 17

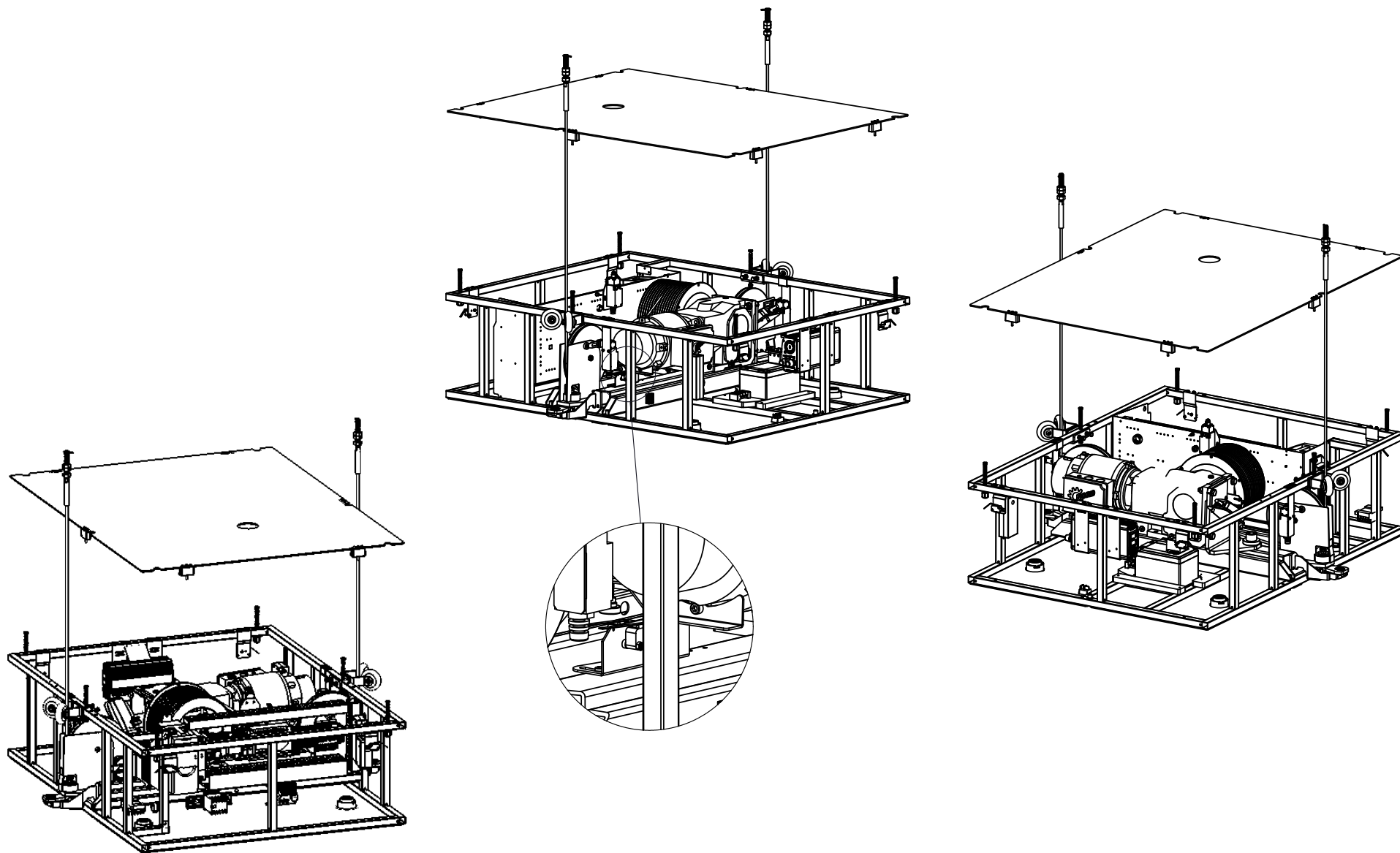


 **Trio Classic**

The information contained herein is the exclusive property of Stiltz Ltd. and shall not be distributed, reproduced, or disclosed in whole or in part without prior written permission of Stiltz Ltd.




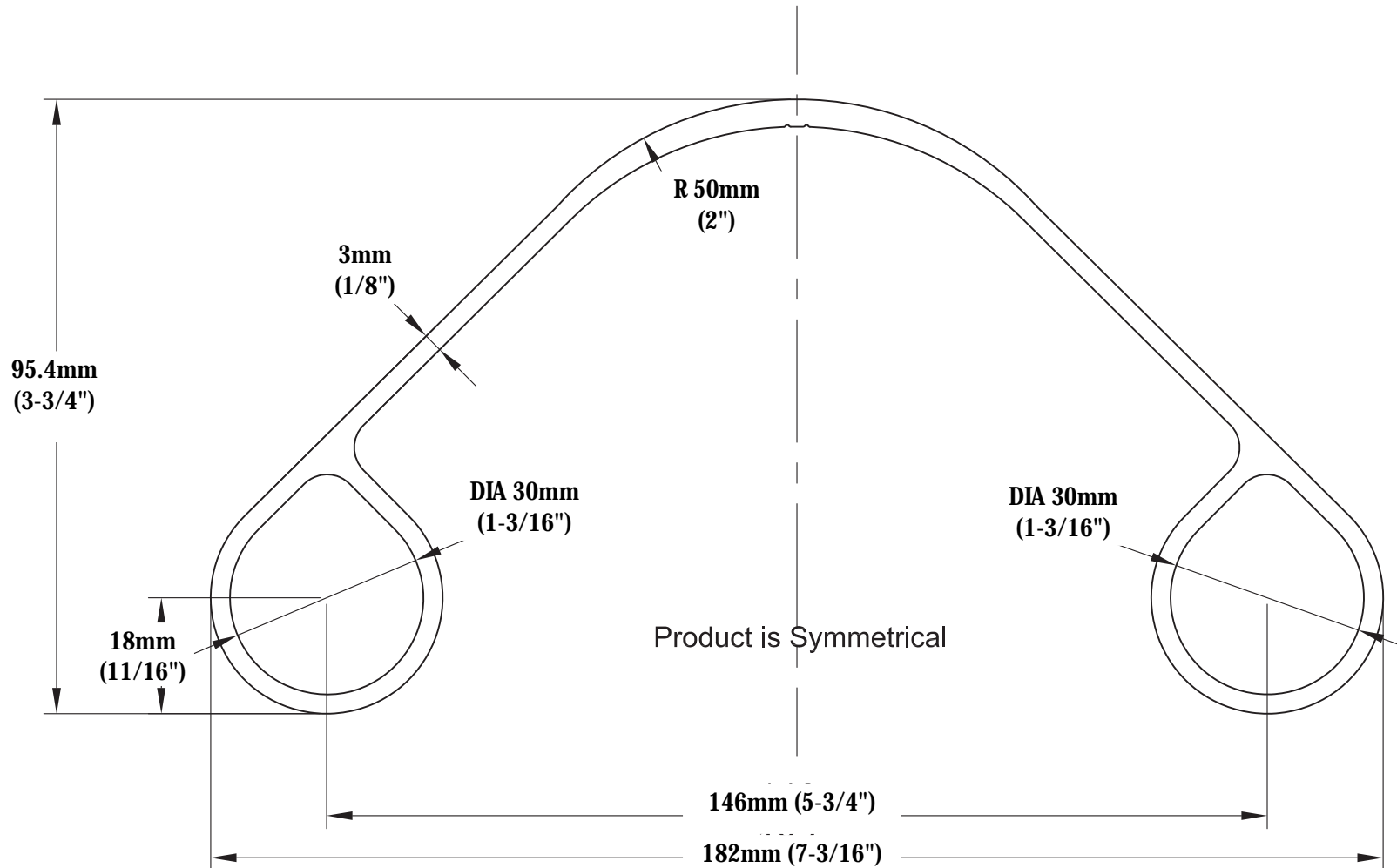
©		TITLE	
Drawn	Wagon Wang	Date	2018/09/01
 DIMENSIONS IN MM UNLESS OTHERWISE NOTED THIRD ANGLE PROJECTION - AS 1100		A4	Dwg No <b>CUSTOMER. 13</b>
			PAGE
		SCALE:	13 OF 17



The information contained herein is the exclusive property of Stiltz Ltd. and shall not be distributed, reproduced, or disclosed in whole or in part without prior written permission of Stiltz Ltd.



©		TITLE	
Drawn	Wagon Wang	Date	2018/09/01
 THIRD ANGLE PROJECTION - AS 1100		DIMENSIONS IN MM UNLESS OTHERWISE NOTED	
		A4	Dwg No <b>CUSTOMER. 14</b>
SCALE:		PAGE 14 OF 17	



Product is Symmetrical

Guide rail pieces are 2.3m (90-1/2") each

**Material: Aluminium 6063-T5**  
**Process: Aluminium Extrusion**  
**Treatment: T5 Heat treatment and Powder coating**



The information contained herein is the exclusive property of Stiltz Ltd. and shall not be distributed, reproduced, or disclosed in whole or in part without prior written permission of Stiltz Ltd.



©		TITLE	
Drawn	Wagon Wang	Date	2018/09/01
THIRD ANGLE PROJECTION - AS 1100		Guide Rail Profile	
DIMENSIONS IN MM UNLESS OTHERWISE NOTED		A4	Dwg No CUSTOMER. 15
		SCALE:	PAGE 15 OF 17

# Electrical requirements for Stiltz Lifts

- The lifts are powered by a 220v motor.
- A 110v, 15amp socket is sufficient to supply power to the lift by using a Stiltz supplied 3000w 110/220v step-up transformer.
- A dedicated 220v outlet can also be used instead of the transformer.
- **The lift power supply lead must be plugged in to the power source BELOW the upstairs floor (if going through a floor) otherwise the power supply lead will prevent the floor lid from positioning correctly.**



Transformer dimensions 8" x 6" x 10"

Transformer will run a little warm so allow a few inches around it so it does not overheat.

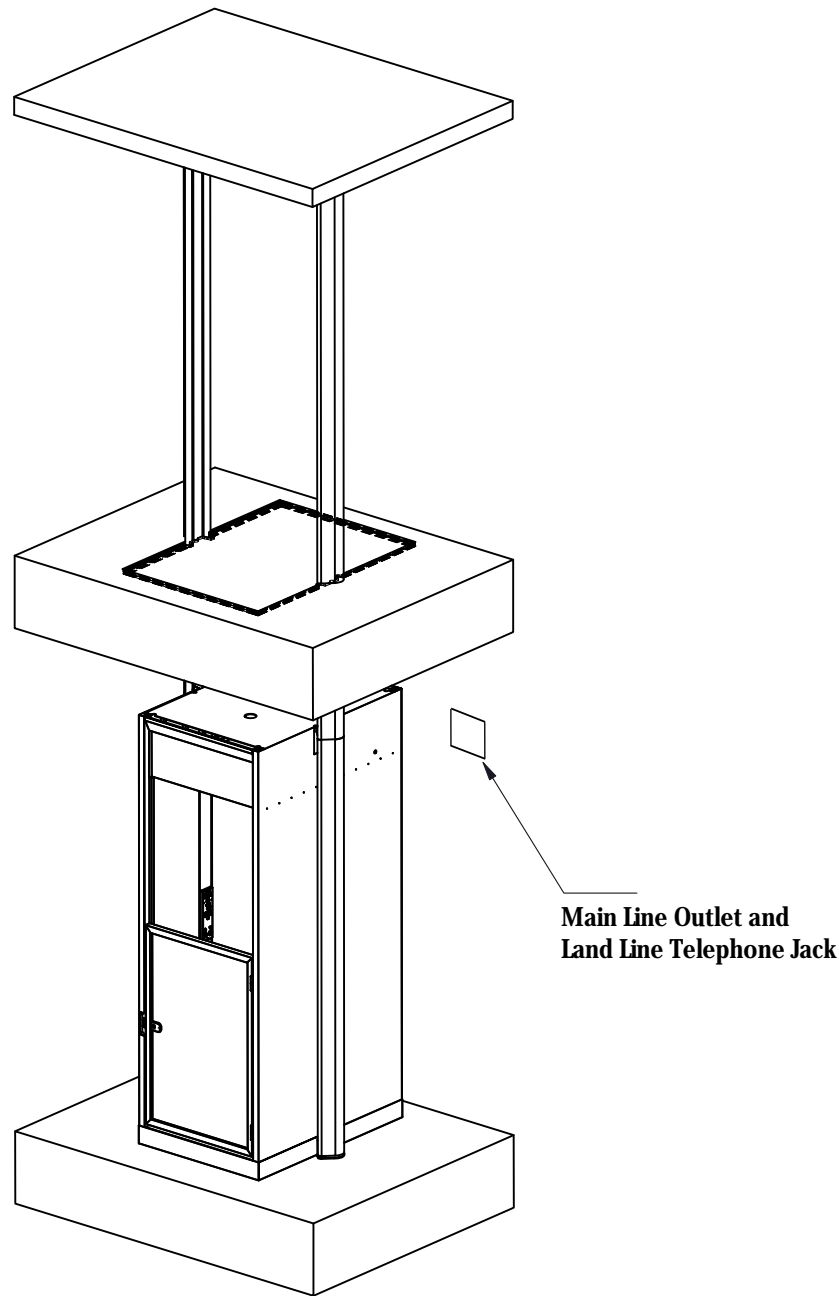
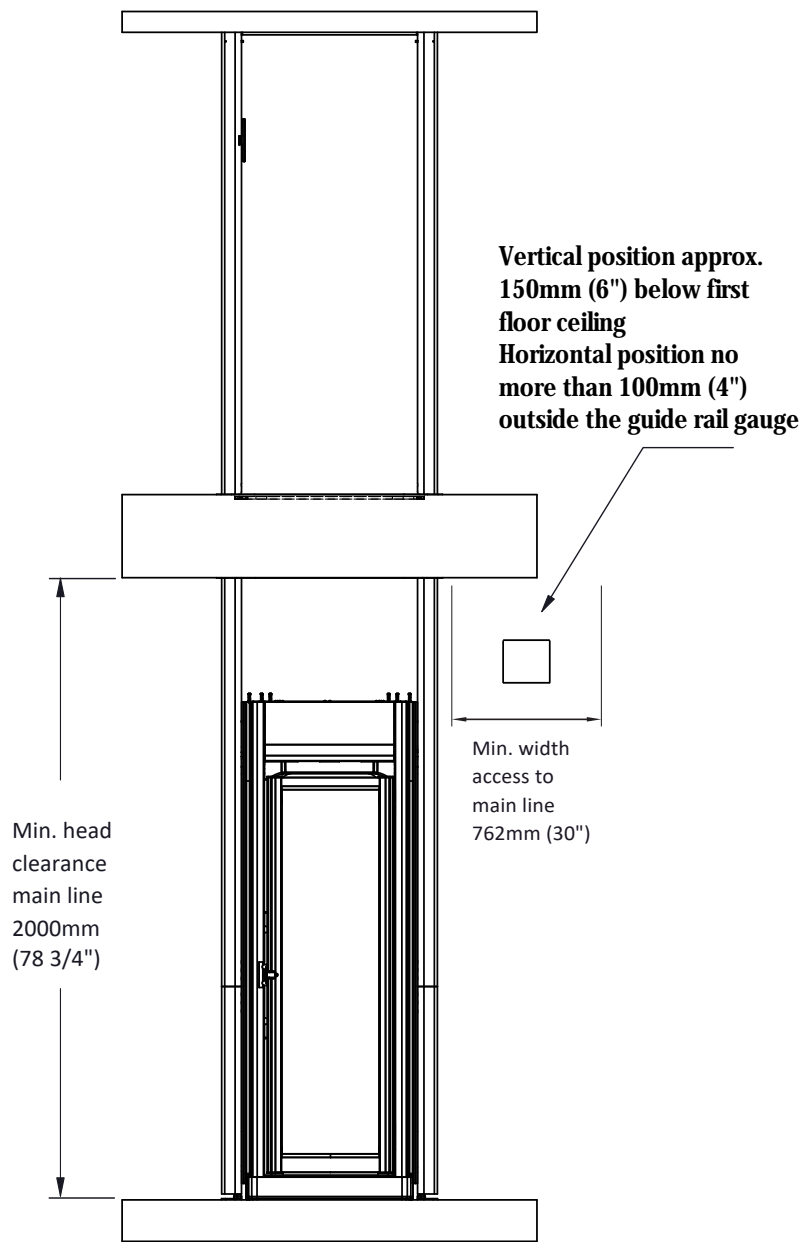


The information contained herein is the exclusive property of Stiltz Ltd. and shall not be distributed, reproduced, or disclosed in whole or in part without prior written permission of Stiltz Ltd.



©		TITLE	
Drawn	Wagon Wang	Date	2018/09/01
 THIRD ANGLE PROJECTION - AS 1100		DIMENSIONS IN MM UNLESS OTHERWISE NOTED A4	
		Dwg No	CUSTOMER. 16
		SCALE:	PAGE
			16 OF 17





Outlet can be positioned near either left or right guide rail section

The single socket is 220v AC and can be sourced from the step-up transformer or a dedicated 220v line.  
If using a 220v line the circuit breaker must be 2 pole that breaks both 110v phases.



The information contained herein is the exclusive property of Stiltz Ltd. and shall not be distributed, reproduced, or disclosed in whole or in part without prior written permission of Stiltz Ltd.



©		TITLE	
Drawn	Wagon Wang	Date	2018/09/01
 THIRD ANGLE PROJECTION - AS 1100		Trio Electrical Position	
		A4	Dwg No CUSTOMER. 17
		SCALE:	PAGE 17 OF 17