



57 South Commerce Way #300, Bethlehem PA 18017
(610) 443-2282

Customer: _____

Address: _____

Phone: _____

Contact: _____


Project Name: _____

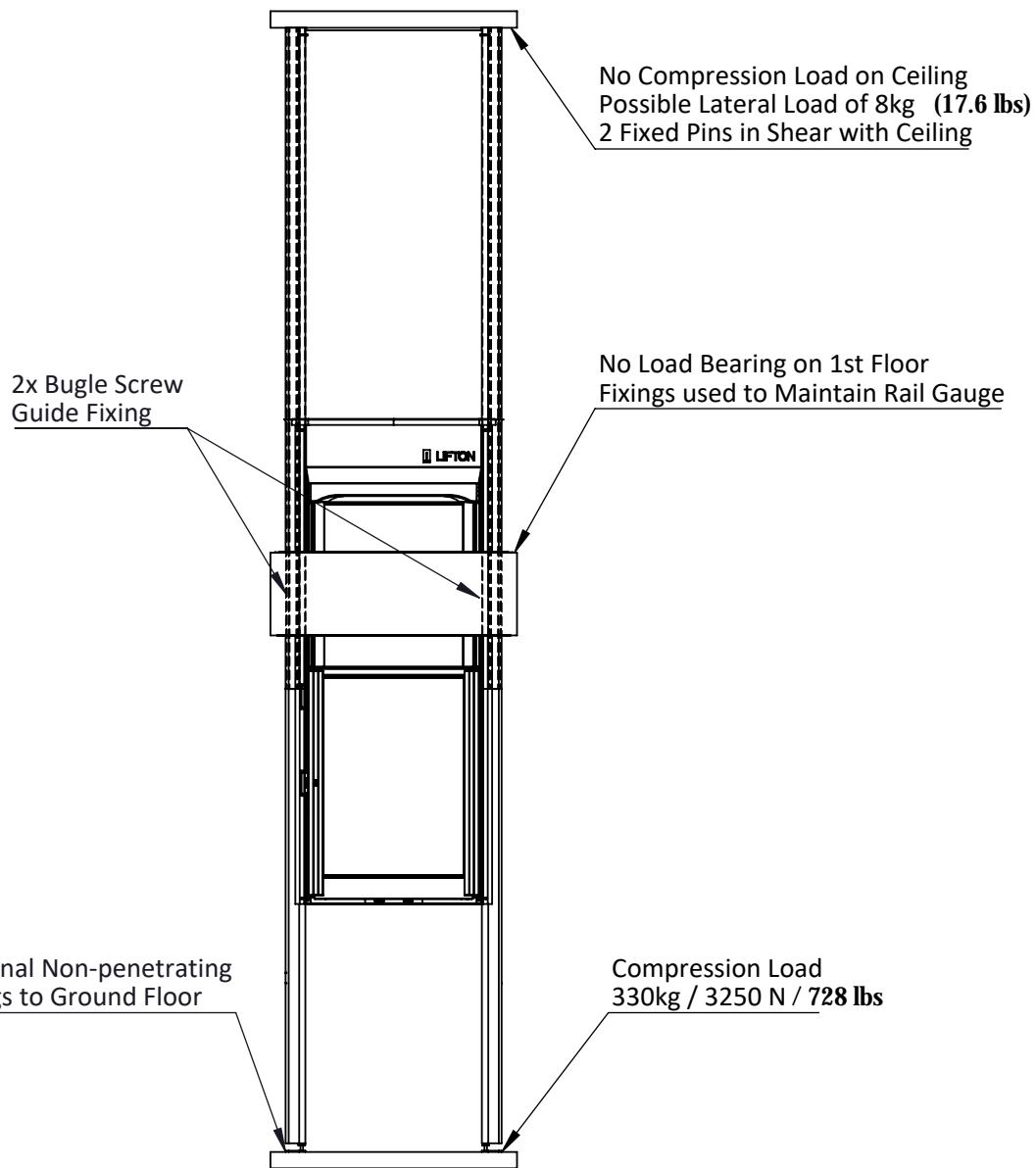
Location: _____



Trio Alta











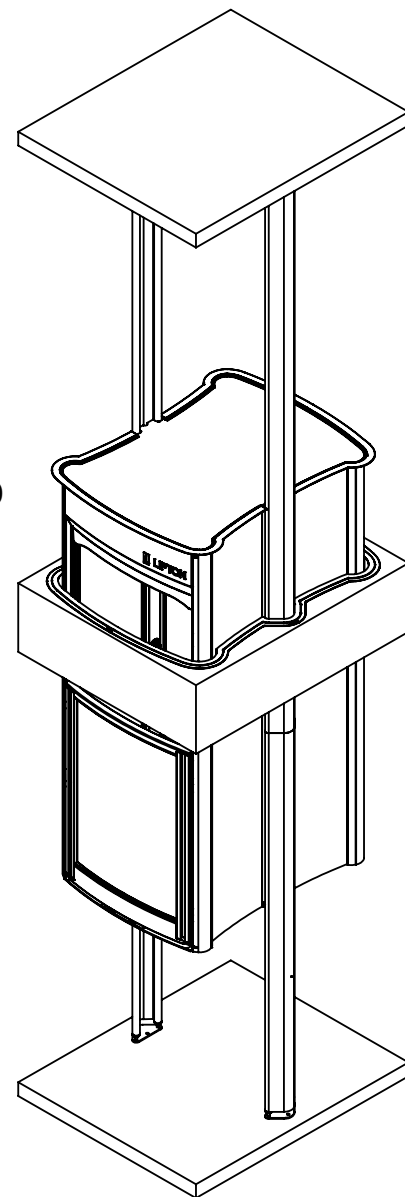
© Stiltz Ltd. 2016		TITLE	
Drawn JMG	Date 11/2016	Lifton Trio Lift Title Page	
 DIMENSIONS IN MM UNLESS OTHERWISE NOTED THIRD ANGLE PROJECTION - AS 1100		A4	Dwg No CUSTOMER. 01
			PAGE 1 OF 10
		SCALE:	



Technical Information:

Lifton Trio / Lifton Trio Thru Car

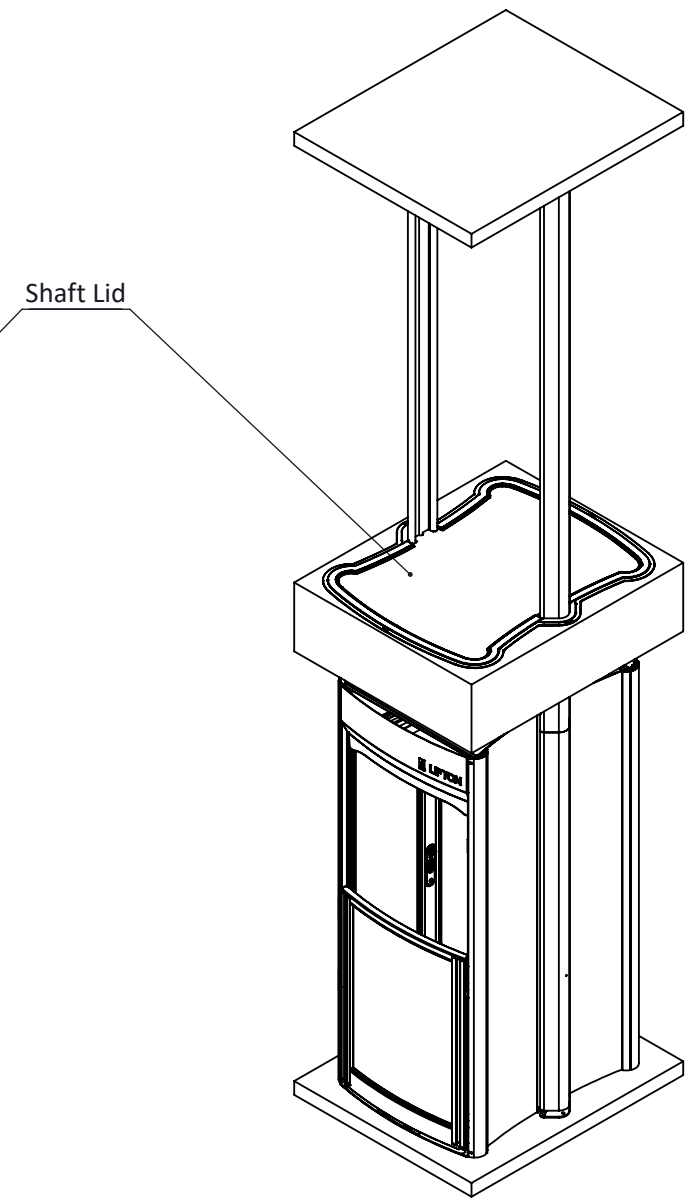
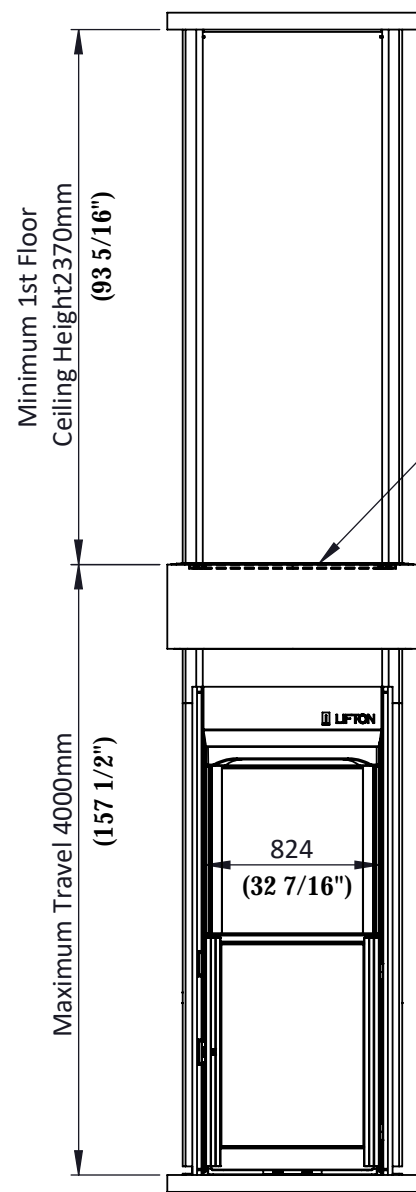
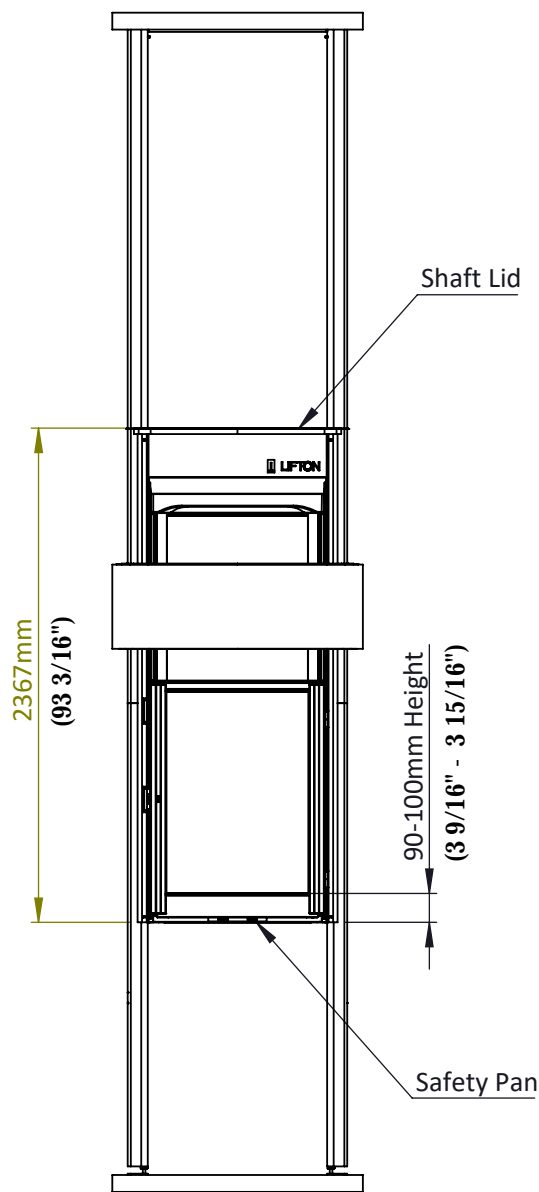
-  **DRIVE SYSTEM:**
Rope Drum, Braked Gear Motor Drive
-  **CAPACITY:**
MAX Capacity 220kg / 2-3 Persons (485 lbs)
-  **TRAVEL:**
Up to 4000mm (157 1/2")
-  **NO of FLOORS:**
2 Maximum
-  **SUPPLY VOLTAGE:**
240v 1PH 50HZ
-  **RUNNING CURRENT:**
3.2 AMP
-  **STARTING CURRENT:**
4.0 AMP
-  **STANDARD COLOUR:**
Off White / Cream (RAL 7038)
(Other colours available)



Trio Alta




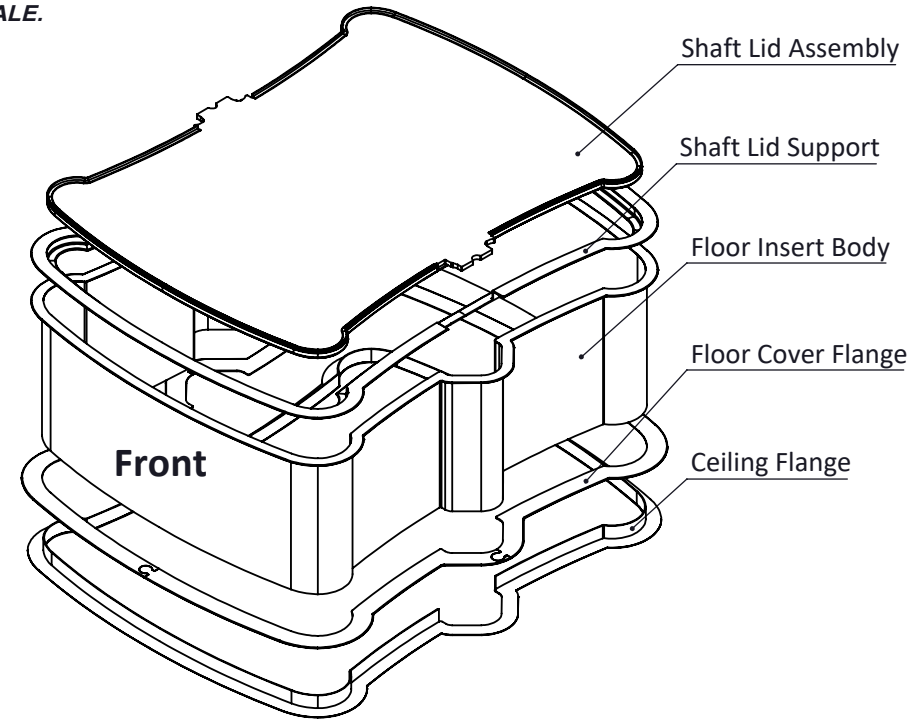
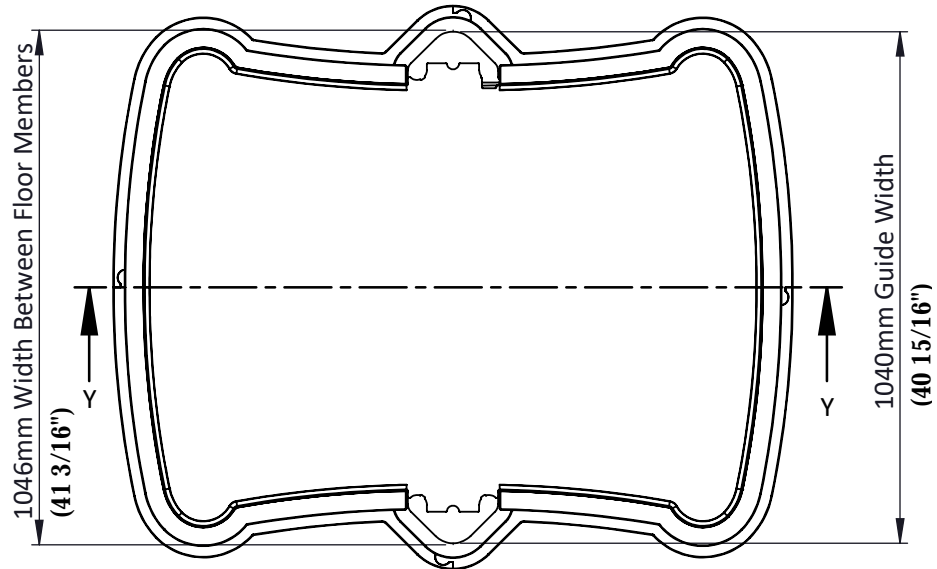
© Stiltz Ltd. 2016		TITLE Lifton Trio Lift Installation	
Drawn JMG	Date 11/2016	Dwg No CUSTOMER. 02	
THIRD ANGLE PROJECTION - AS 1100		A4	PAGE 2 OF 10
DIMENSIONS IN MM UNLESS OTHERWISE NOTED		SCALE:	



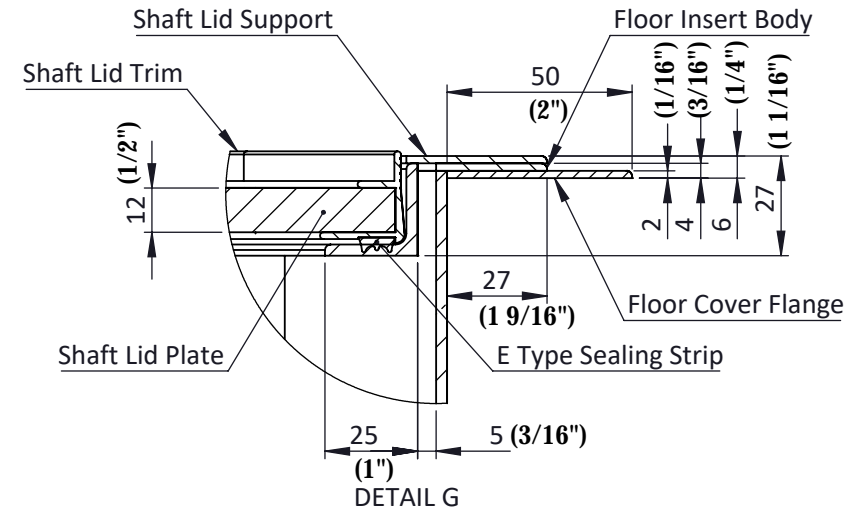
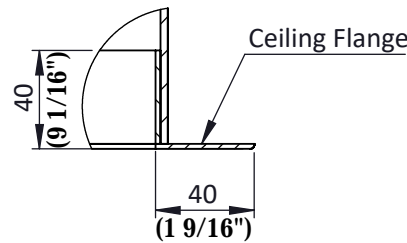
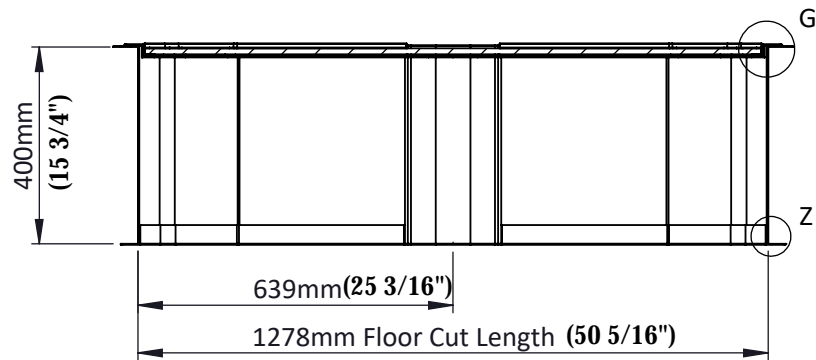
Standard Application



© Stiltz Ltd. 2016		TITLE Lifton Trio Lift Installation	
Drawn JMG	Date 11/2016	A4	Dwg No CUSTOMER. 03
 DIMENSIONS IN MM UNLESS OTHERWISE NOTED THIRD ANGLE PROJECTION - AS 1100			SCALE:
			PAGE 3 OF 10



Explode View

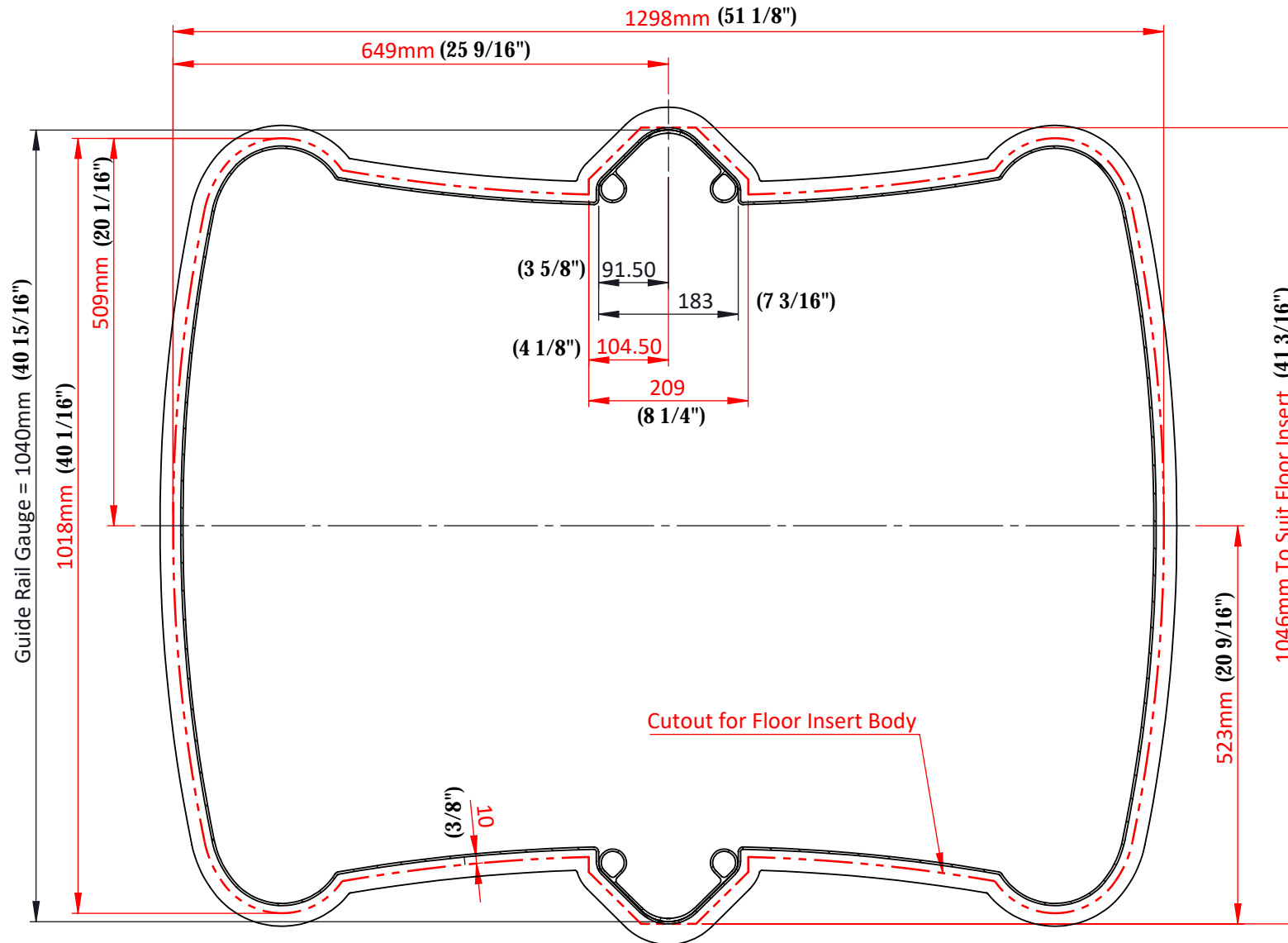


Trio Alta



© Stiltz Ltd. 2016		TITLE Lifton Trio Floor Insert Body & Shaft Lid Assembly	
Drawn JMG	Date 11/2016	Dwg No CUSTOMER. 04	
THIRD ANGLE PROJECTION - AS 1100		A4	PAGE 4 OF 10
		SCALE:	

**Template Tol.
+0 / -3**

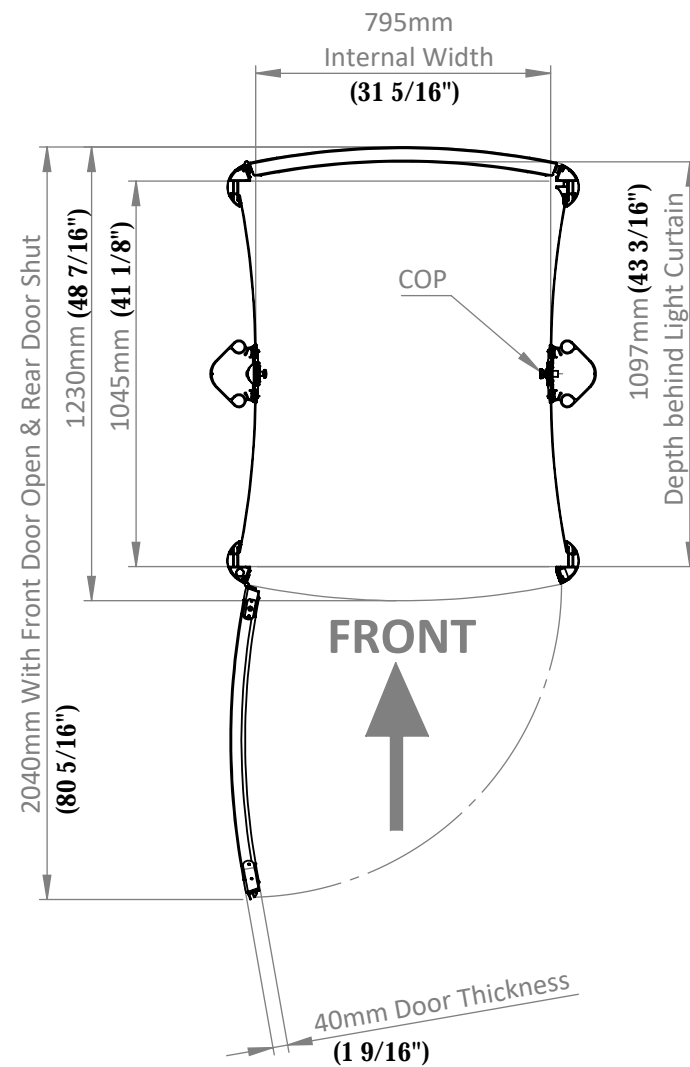
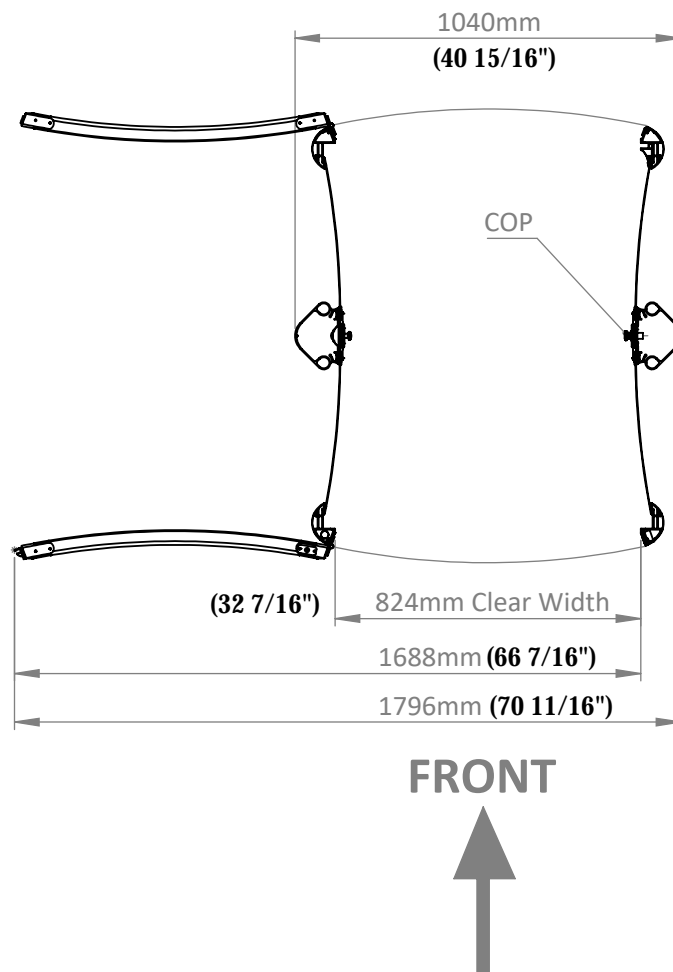
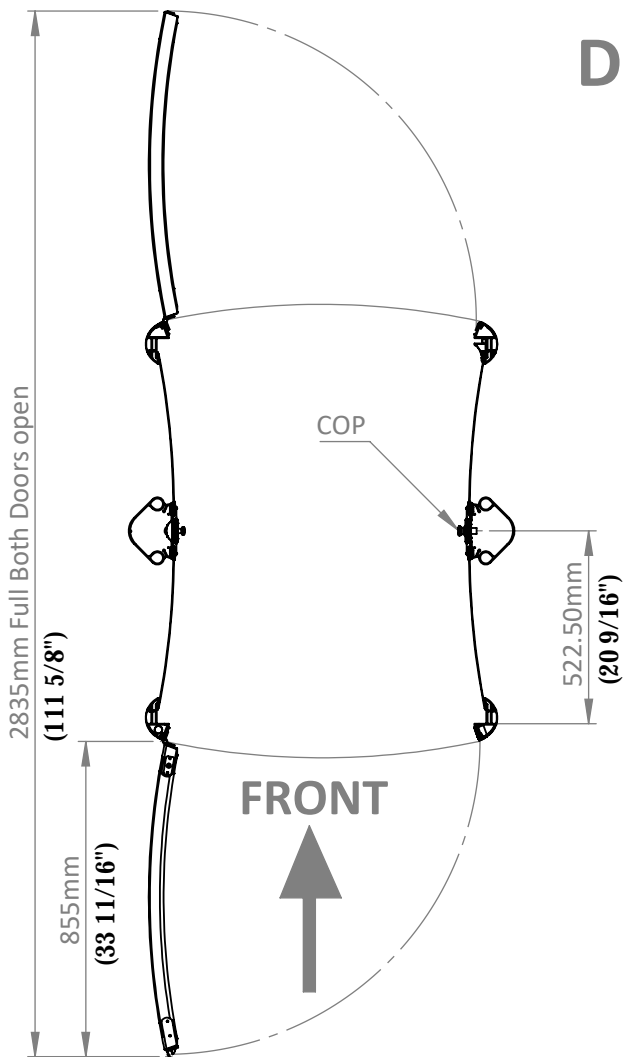


Trio Alta




© Stiltz Ltd. 2016		TITLE	
Drawn JMG		Lifton Trio Floor Insert Cutout Sizes	
Date 11/2016			
THIRD ANGLE PROJECTION - AS 1100		A4	Dwg No CUSTOMER.05
		SCALE:	PAGE 5 OF 10

Doors can operate in RH and LH Positions

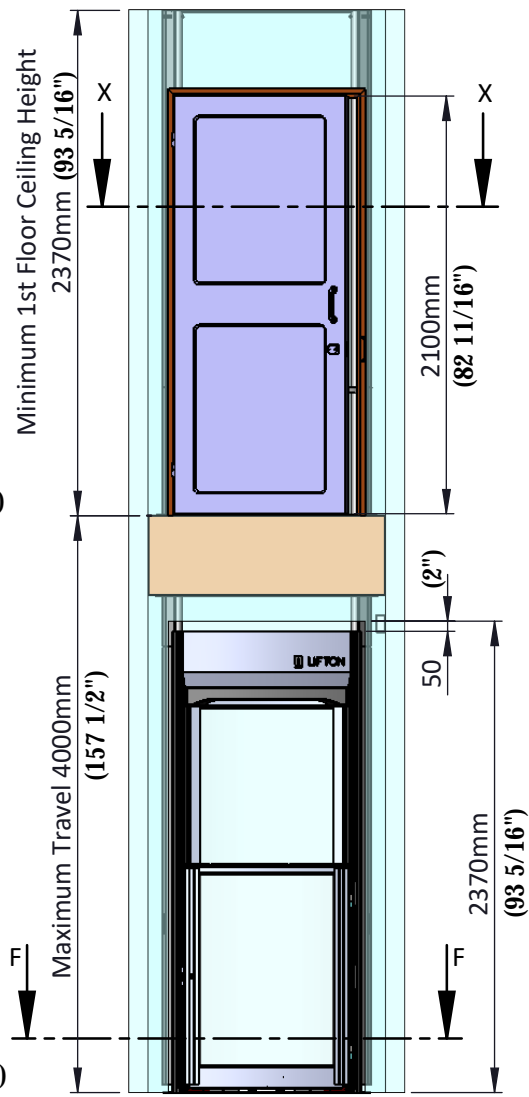
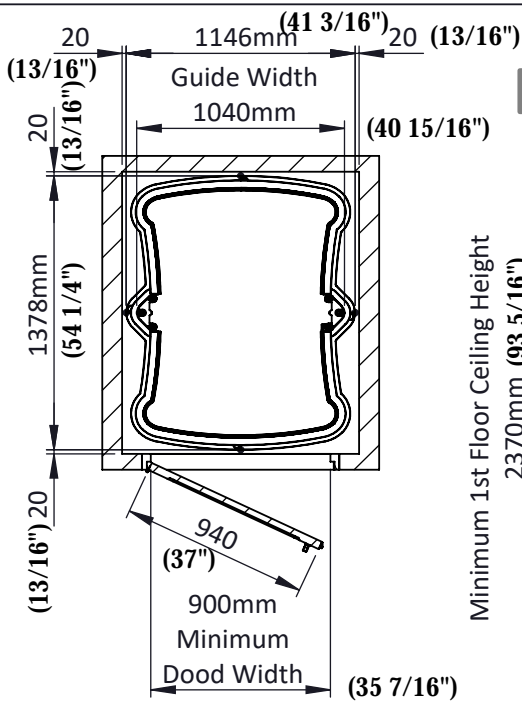


Trio Alta

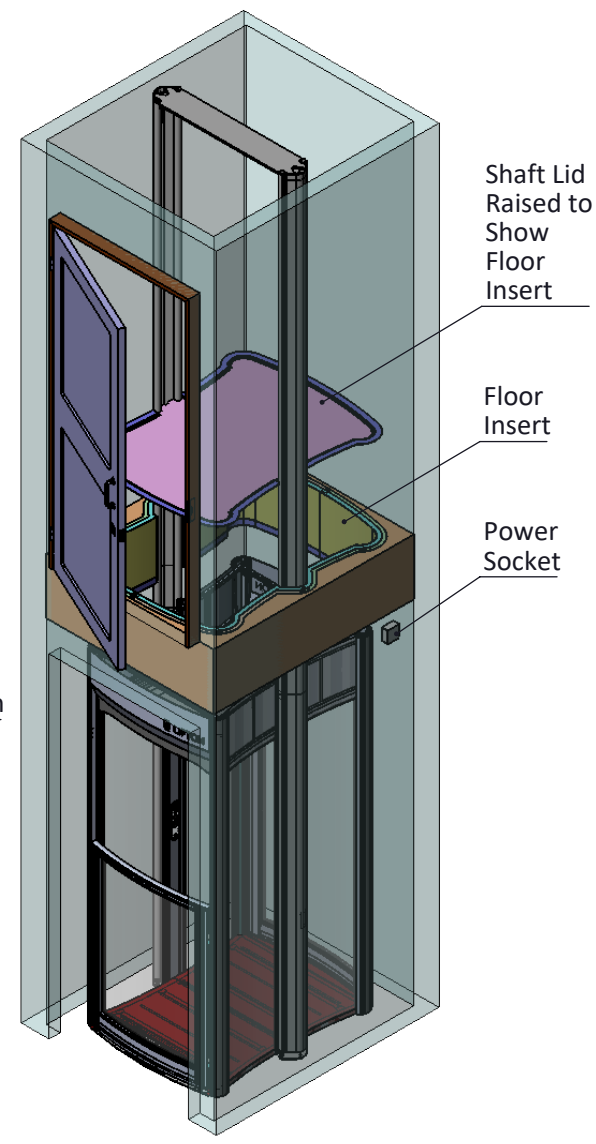
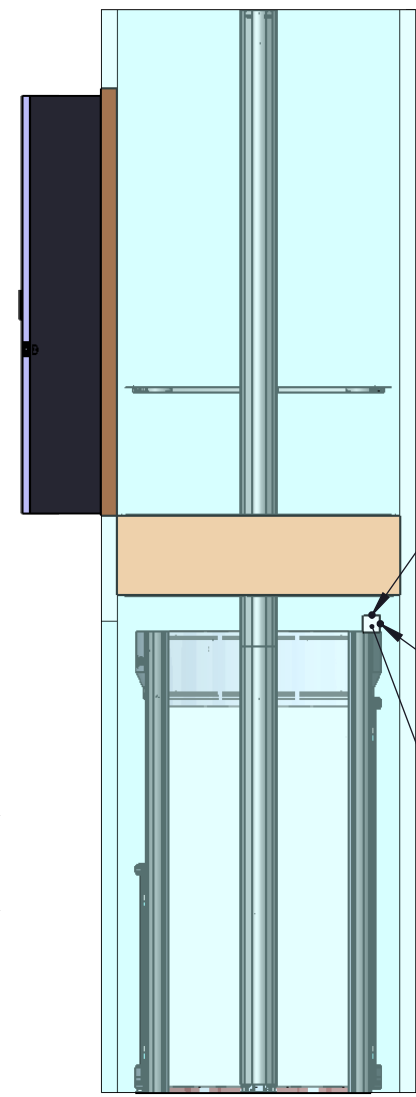
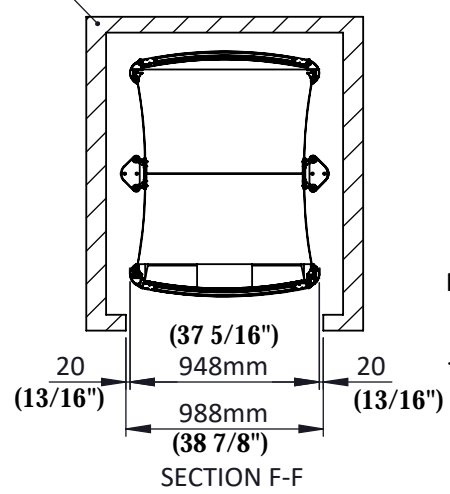
Stiltz

© Stiltz Ltd. 2016		TITLE Lifton Trio Thru Car Configuration	
Drawn JMG	Date 11/2016		
 DIMENSIONS IN MM UNLESS OTHERWISE NOTED THIRD ANGLE PROJECTION - AS 1100		A4	Dwg No CUSTOMER.06 SCALE:
			PAGE 6 OF 10

Bottom Door & Frame removed For Lift Installation



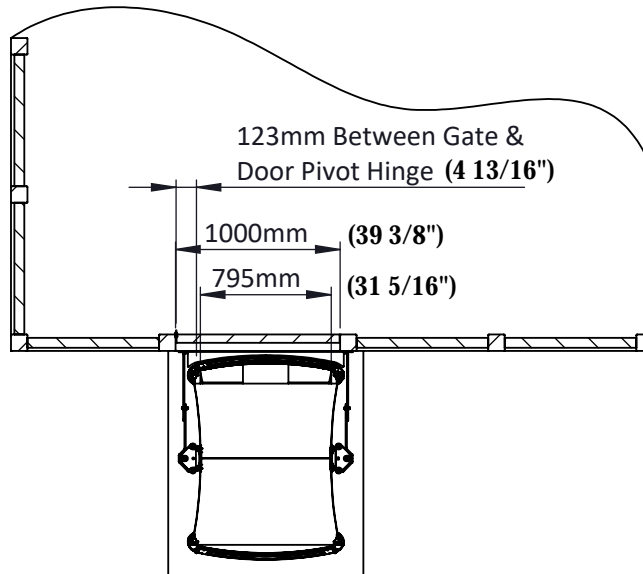
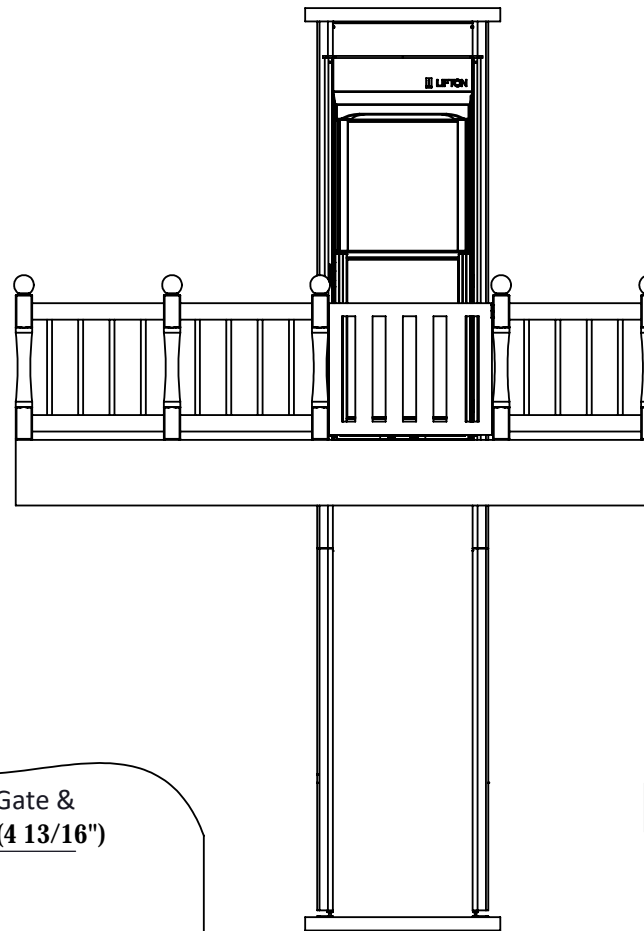
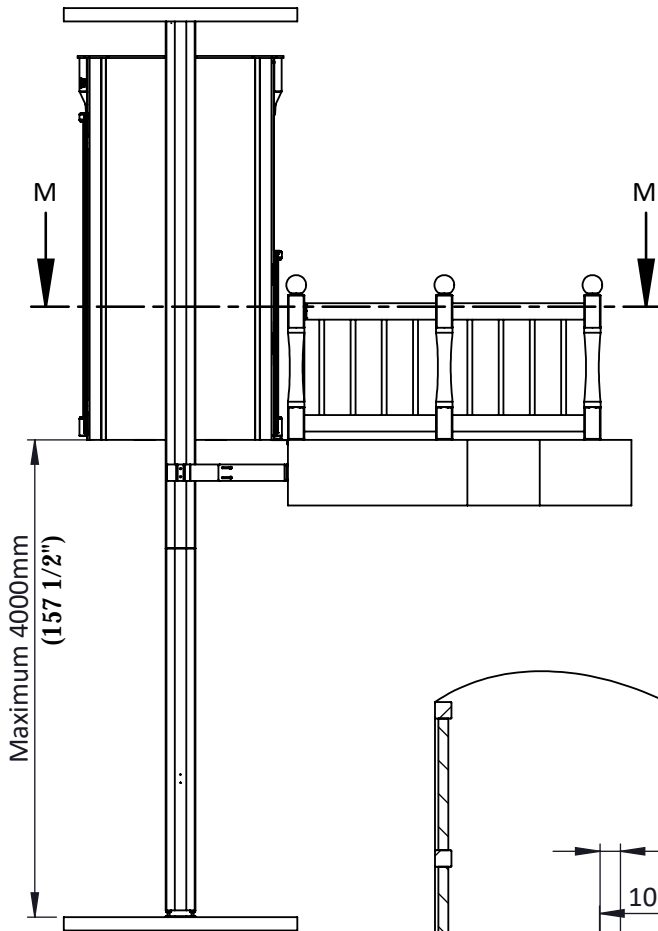
Wall Thickness By the Builder



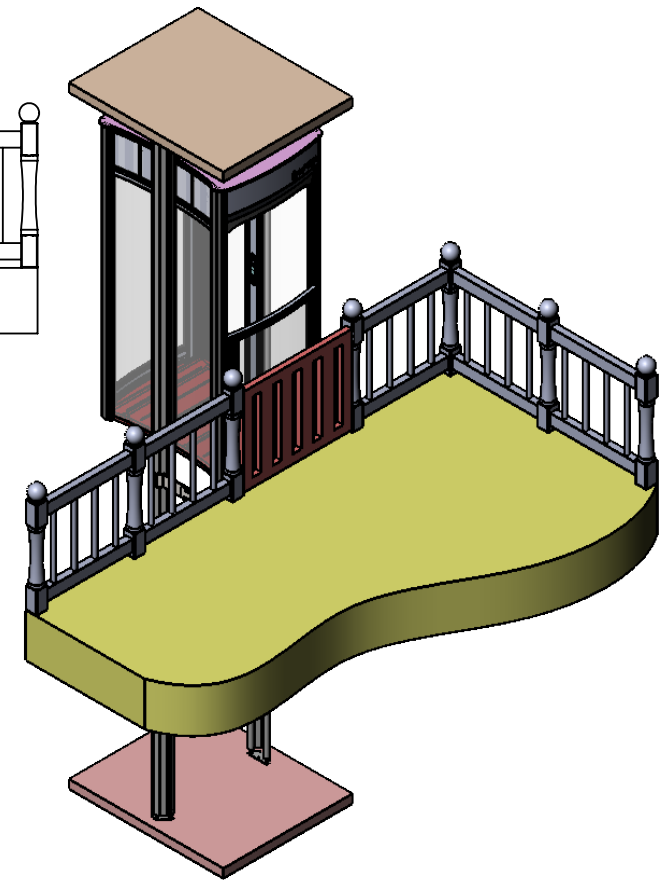
Shaft Application



© Stiltz Ltd. 2016		TITLE Lifton Trio Shaft Information	
Drawn JMG	Date 11/2016		
THIRD ANGLE PROJECTION - AS 1100		DIMENSIONS IN MM UNLESS OTHERWISE NOTED	
A4		Dwg No CUSTOMER. 07	PAGE 7 OF 10
SCALE:			



SECTION M-M




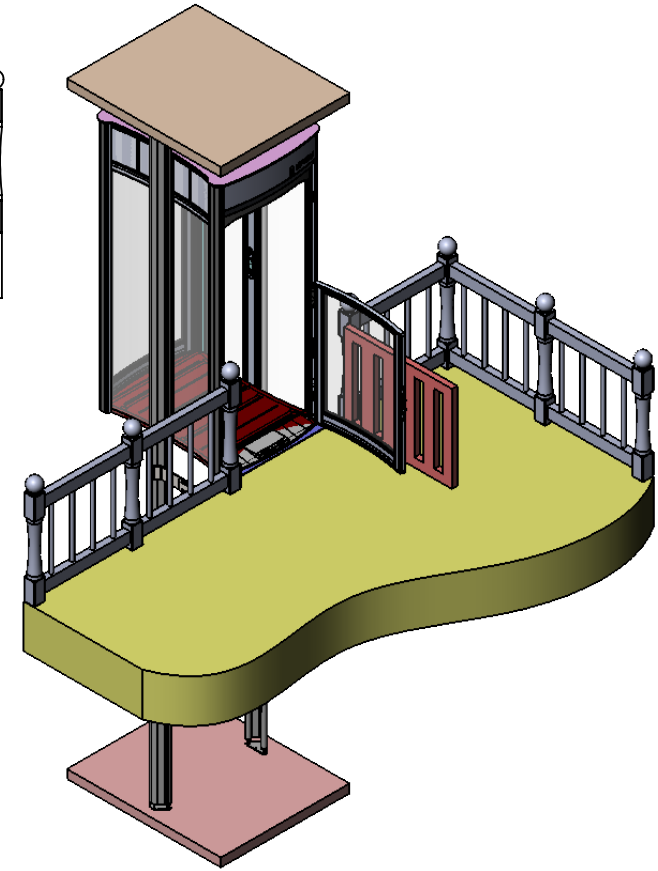
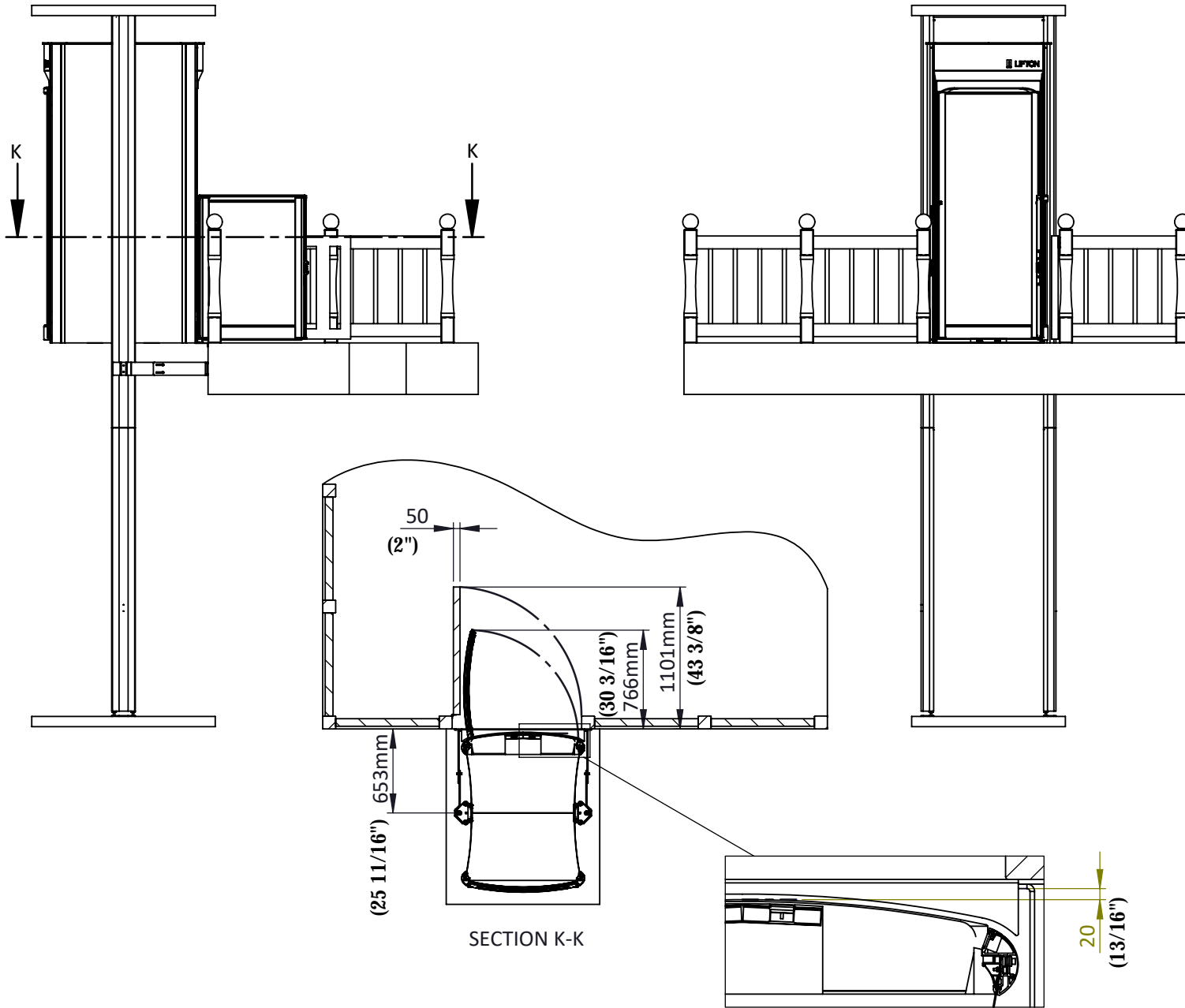
Door & Gate Close



Trio Alta



© Stiltz Ltd. 2016		TITLE Lifton Trio Lift Void Application	
Drawn JMG	Date 11/2016		
 DIMENSIONS IN MM UNLESS OTHERWISE NOTED THIRD ANGLE PROJECTION - AS 1100		A4 SCALE:	Dwg No CUSTOMER.08 PAGE 8 OF 10



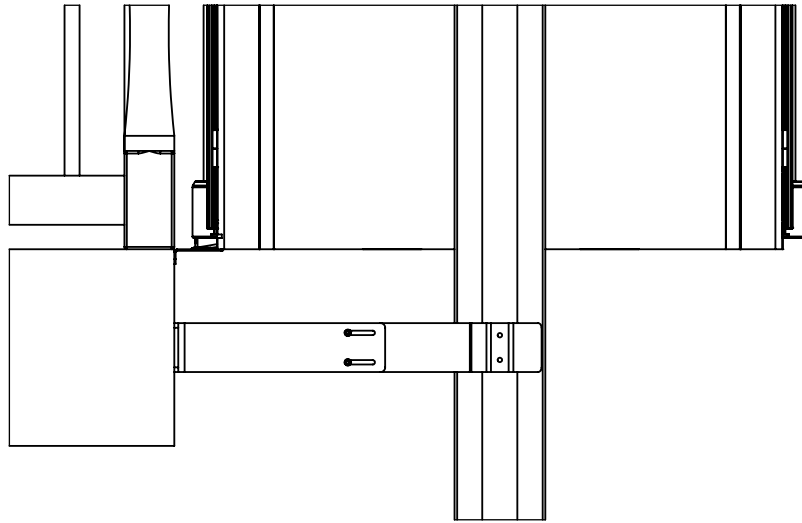
Door & Gate Open



Trio Alta



© Stiltz Ltd. 2016		TITLE Lifton Trio Lift Void Application	
Drawn JMG	Date 11/20-16		
THIRD ANGLE PROJECTION - AS 1100		A4	Dwg No CUSTOMER. 09
		SCALE:	PAGE 9 OF 10



M8 Short Head Cap Screw
Bolted to Wall Mounting Bracket

M8 CSK bolted to Wall

Wall Mounting Bracket

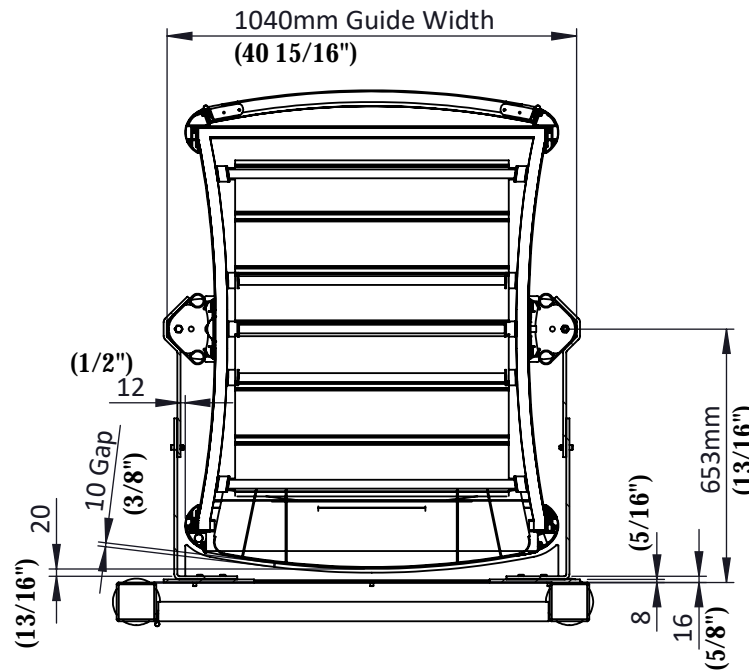
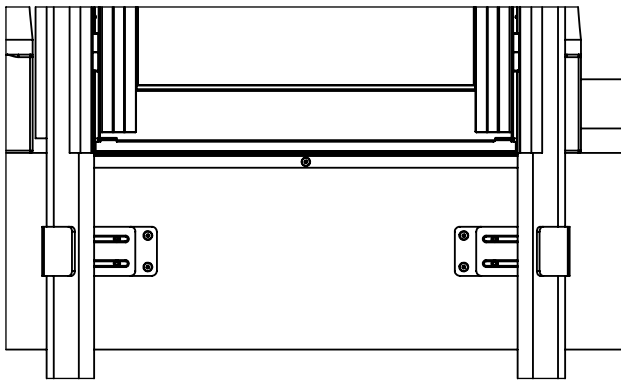
Floor Cover Plate

Wall

Guide Rail Bracket Support

Lift Guide Rail

Lift Body



Trio Alta

Stiltz

© Stiltz Ltd. 2016		TITLE Lifton Trio Lift Void Bolting Arrangement	
Drawn JMG	Date 11/2016		
THIRD ANGLE PROJECTION - AS 1100		A4	Dwg No CUSTOMER. 10
			SCALE:
		PAGE 10 OF 10	