



57 South Commerce Way #300, Bethlehem PA 18017
(610) 443-2282

Customer: _____

Address: _____

Phone: _____

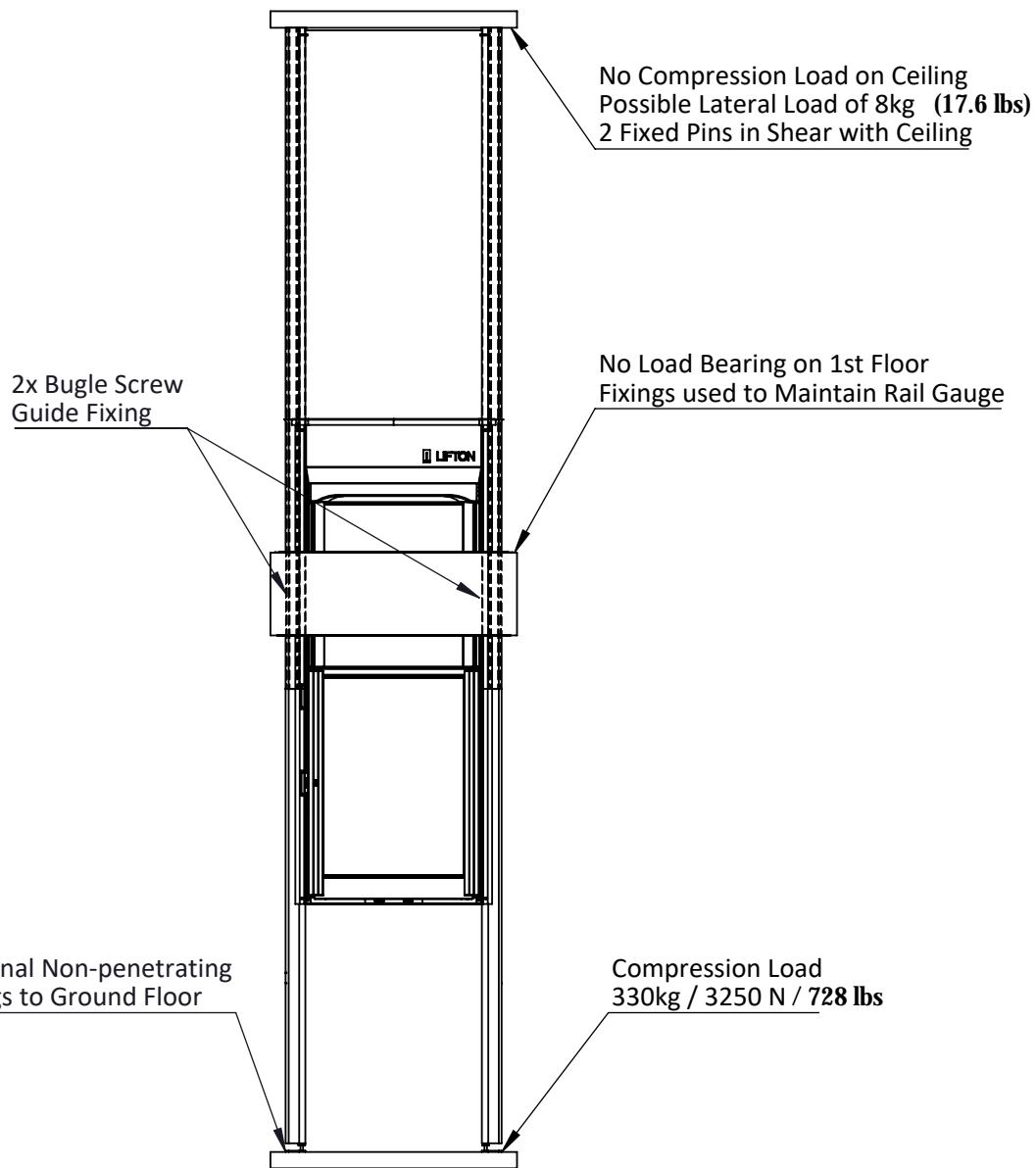
Contact: _____

Project Name: _____

Location: _____











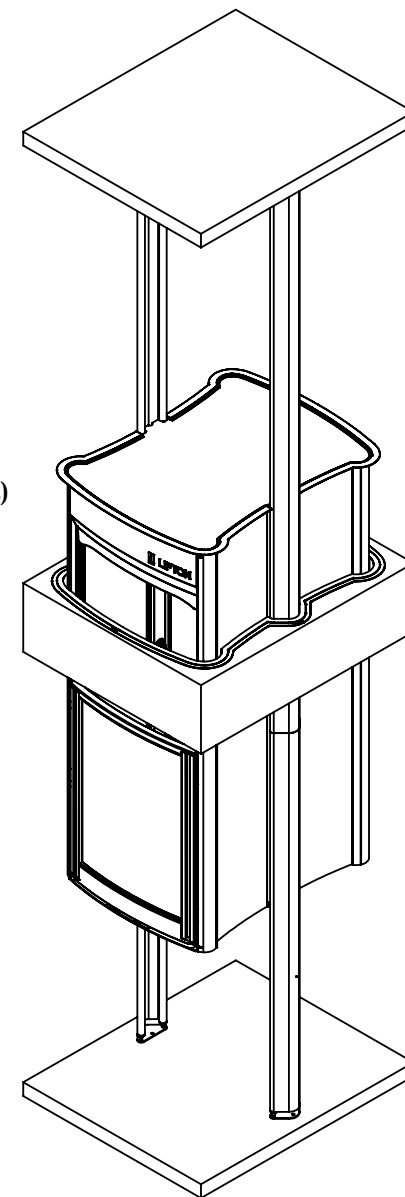
© Stiltz Ltd. 2016		TITLE Lifton Trio Lift Title Page	
Drawn JMG	Date 11/2016		
THIRD ANGLE PROJECTION - AS 1100		A4	Dwg No CUSTOMER. 01
			SCALE:

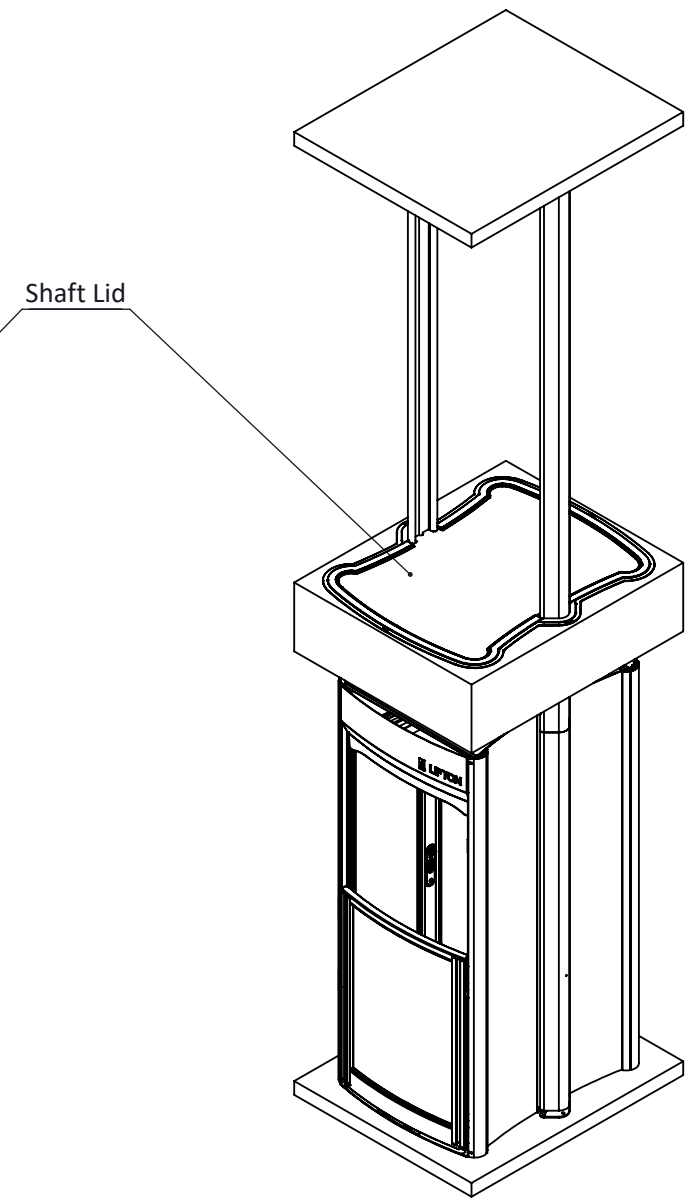
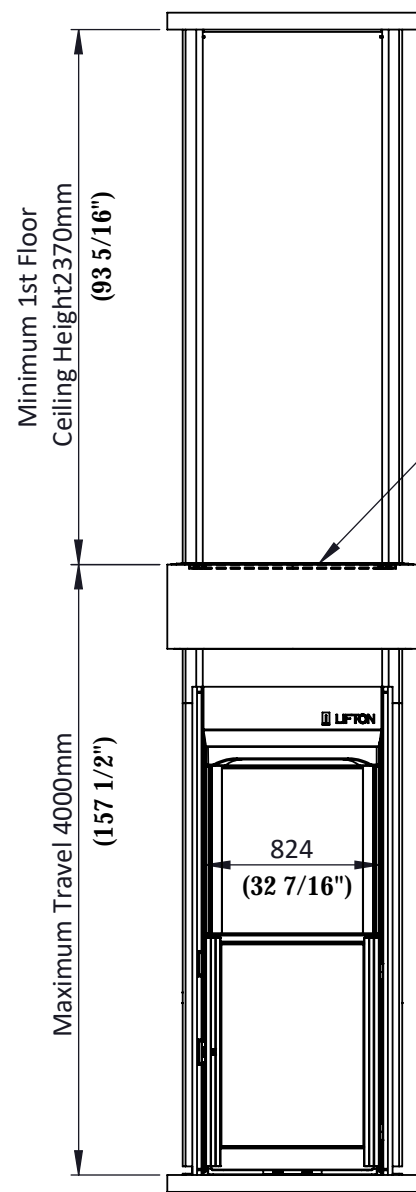
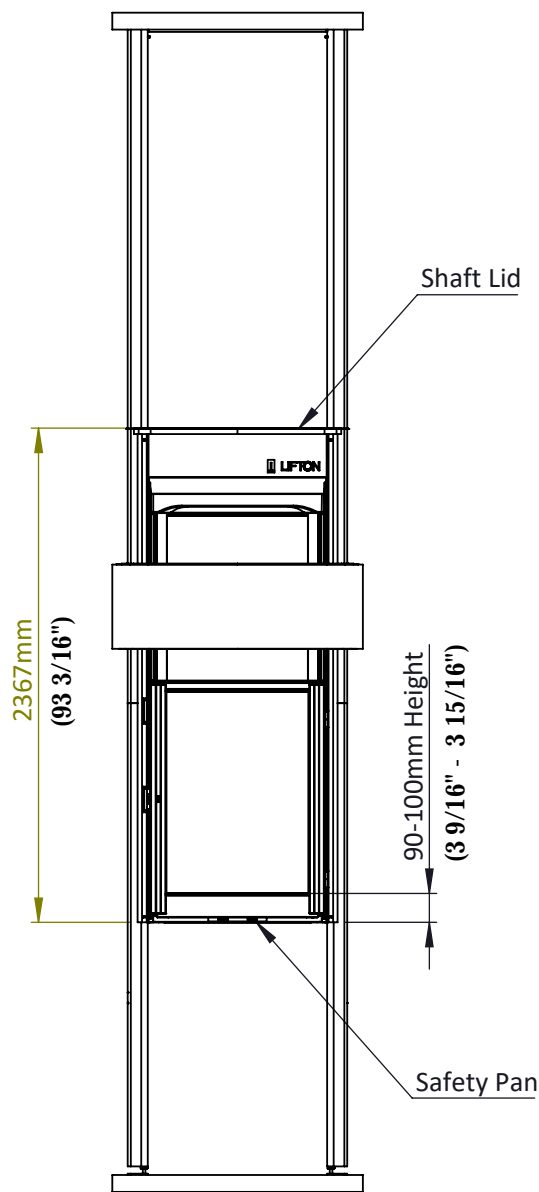


Technical Information:

Lifton Trio / Lifton Trio Thru Car

-  **DRIVE SYSTEM:**
Rope Drum, Braked Gear Motor Drive
-  **CAPACITY:**
MAX Capacity 220kg / 2-3 Persons (485 lbs)
-  **TRAVEL:**
Up to 4000mm (157 1/2")
-  **NO of FLOORS:**
2 Maximum
-  **SUPPLY VOLTAGE:**
240v 1PH 50HZ
-  **RUNNING CURRENT:**
3.2 AMP
-  **STARTING CURRENT:**
4.0 AMP
-  **STANDARD COLOUR:**
Off White / Cream (RAL 7038)
(Other colours available)

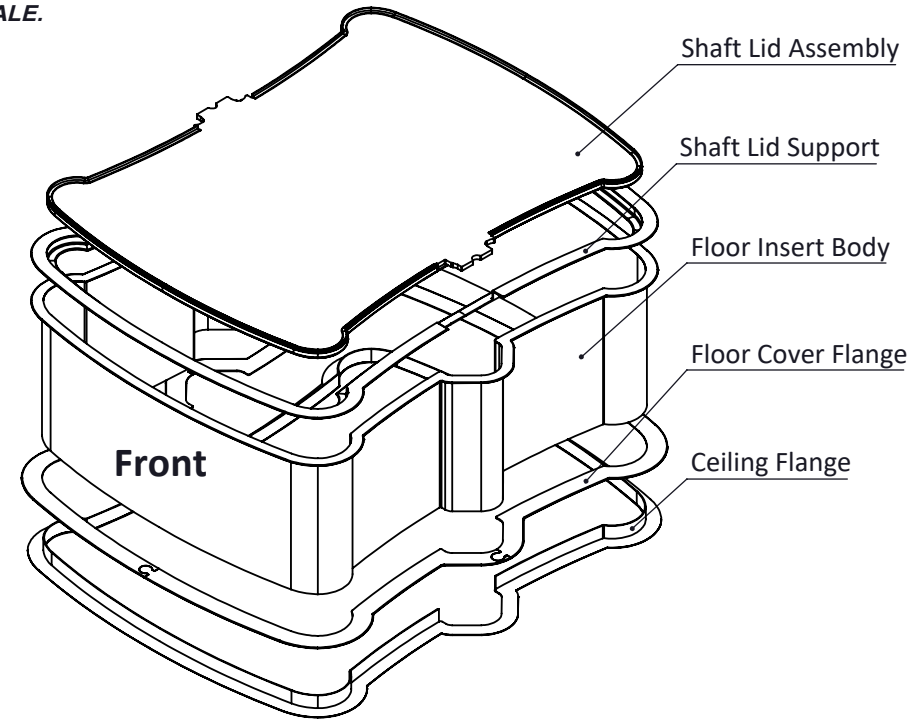
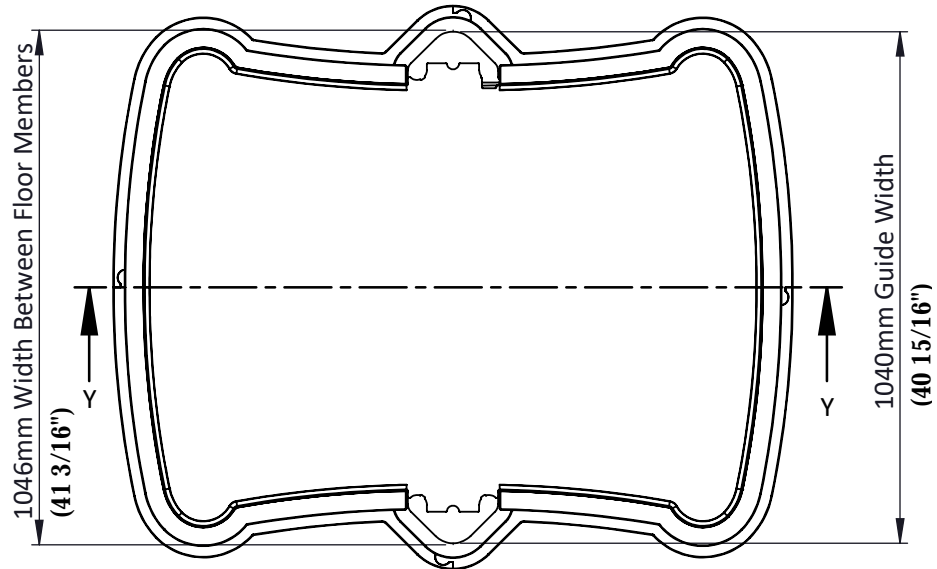




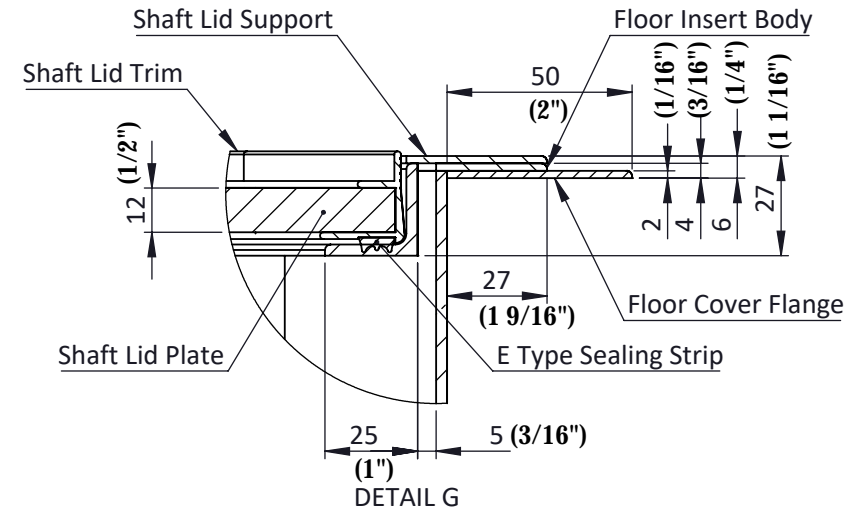
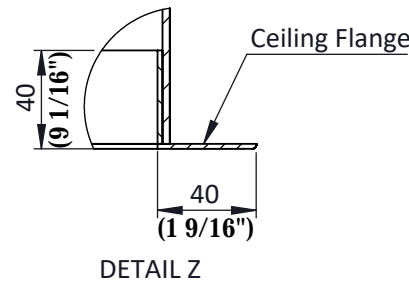
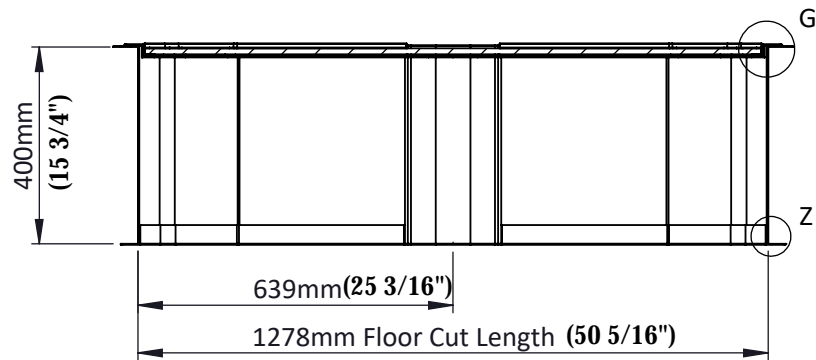
Standard Application



© Stiltz Ltd. 2016		TITLE Lifton Trio Lift Installation	
Drawn JMG	Date 11/2016	A4	Dwg No CUSTOMER. 03
DIMENSIONS IN MM UNLESS OTHERWISE NOTED THIRD ANGLE PROJECTION - AS 1100			SCALE:
			PAGE 3 OF 10

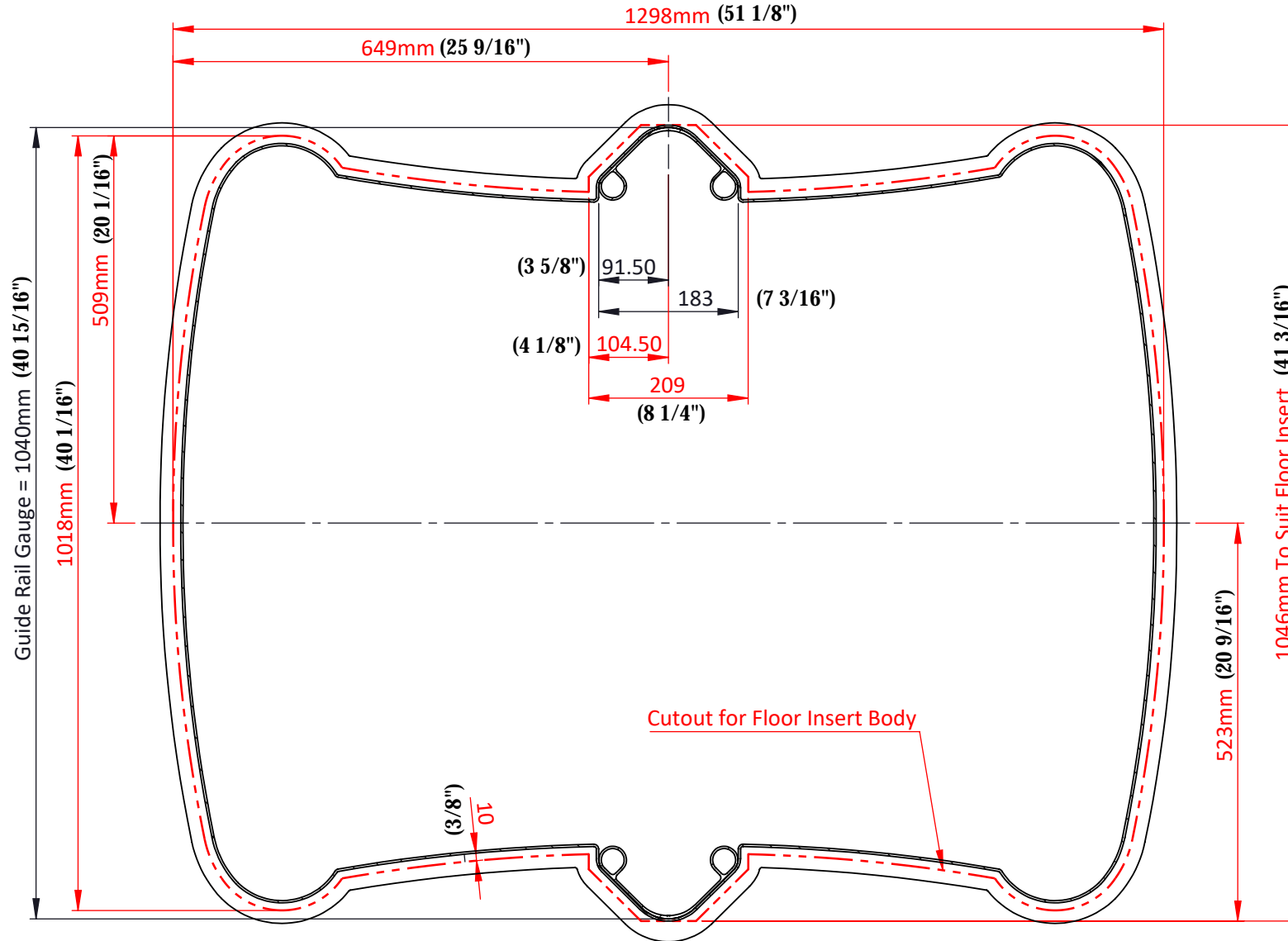


Explode View



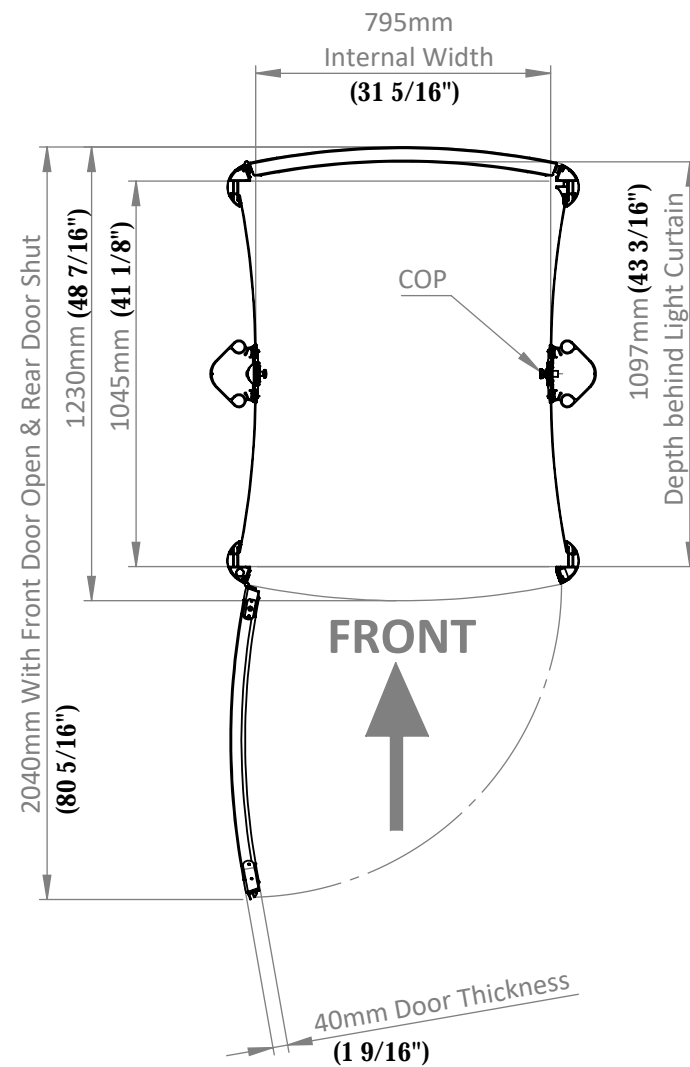
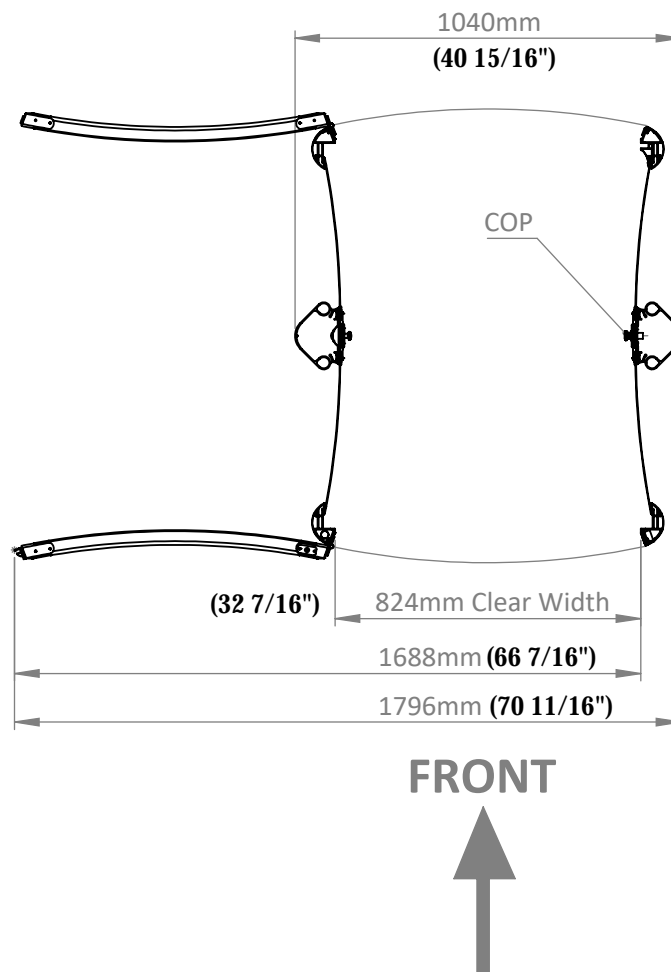
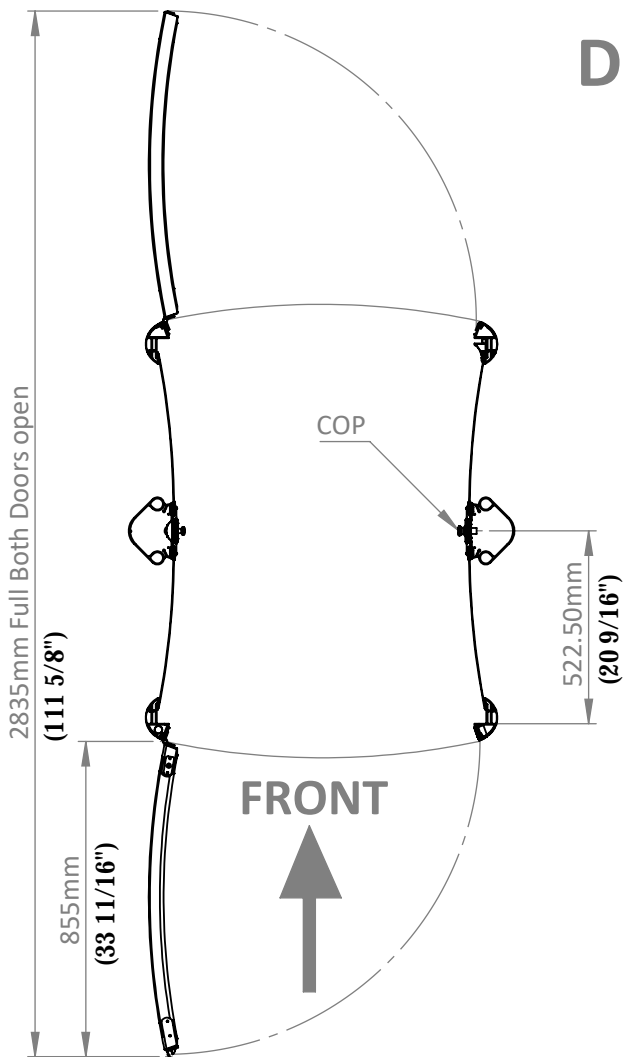
© Stiltz Ltd. 2016		TITLE Lifton Trio Floor Insert Body & Shaft Lid Assembly	
Drawn JMG	Date 11/2016	Dwg No	CUSTOMER. 04
THIRD ANGLE PROJECTION - AS 1100		A4	PAGE 4 OF 10
		SCALE:	

**Template Tol.
+0 / -3**

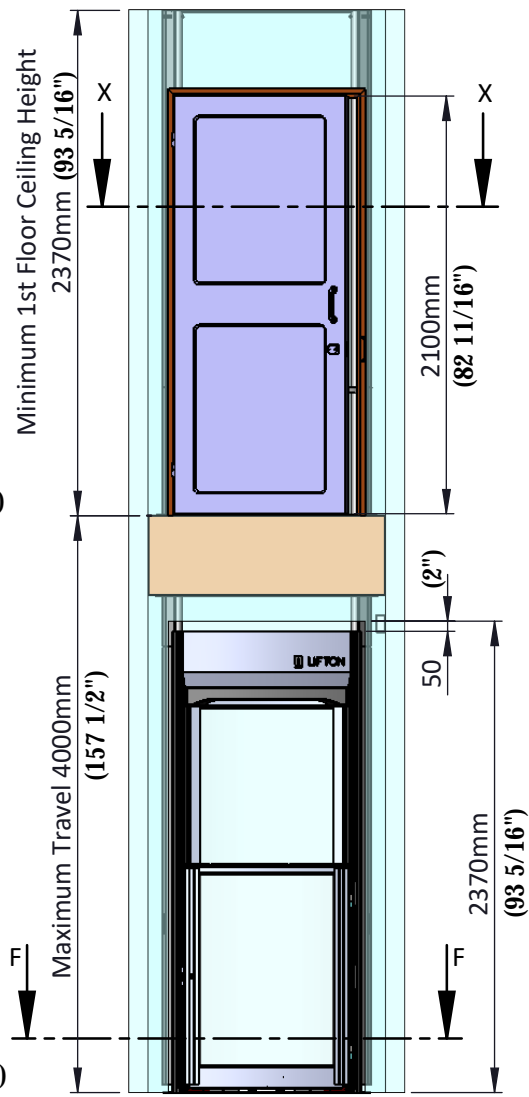
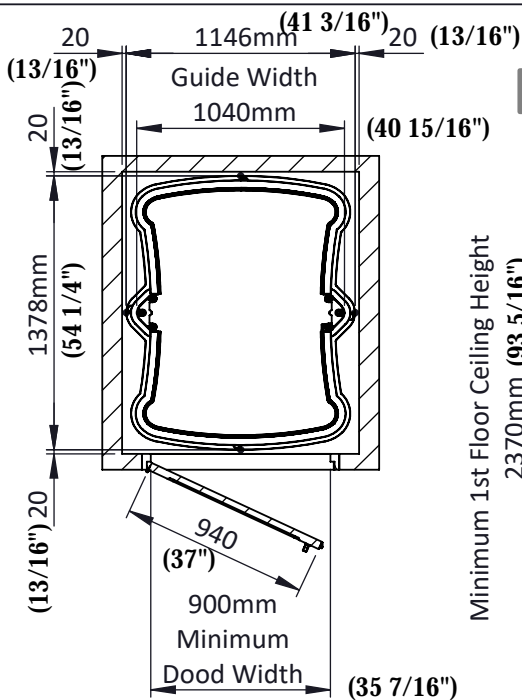


© Stiltz Ltd. 2016		TITLE Lifton Trio Floor Insert Cutout Sizes	
Drawn JMG	Date 11/2016		
THIRD ANGLE PROJECTION - AS 1100		DIMENSIONS IN MM UNLESS OTHERWISE NOTED	
A4		Dwg No CUSTOMER. 05	PAGE 5 OF 10
		SCALE:	

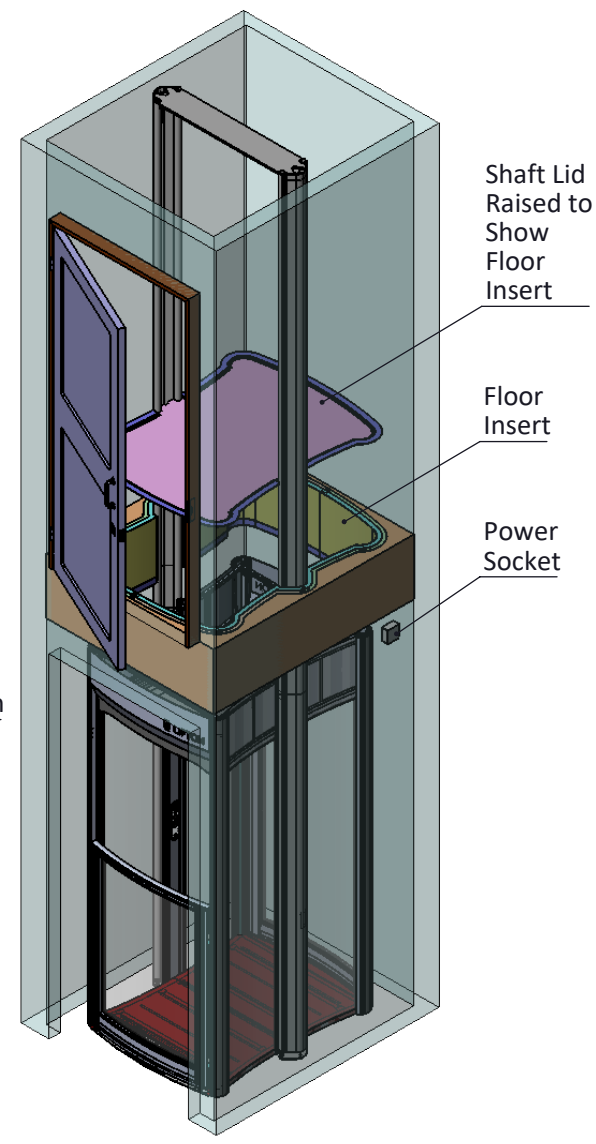
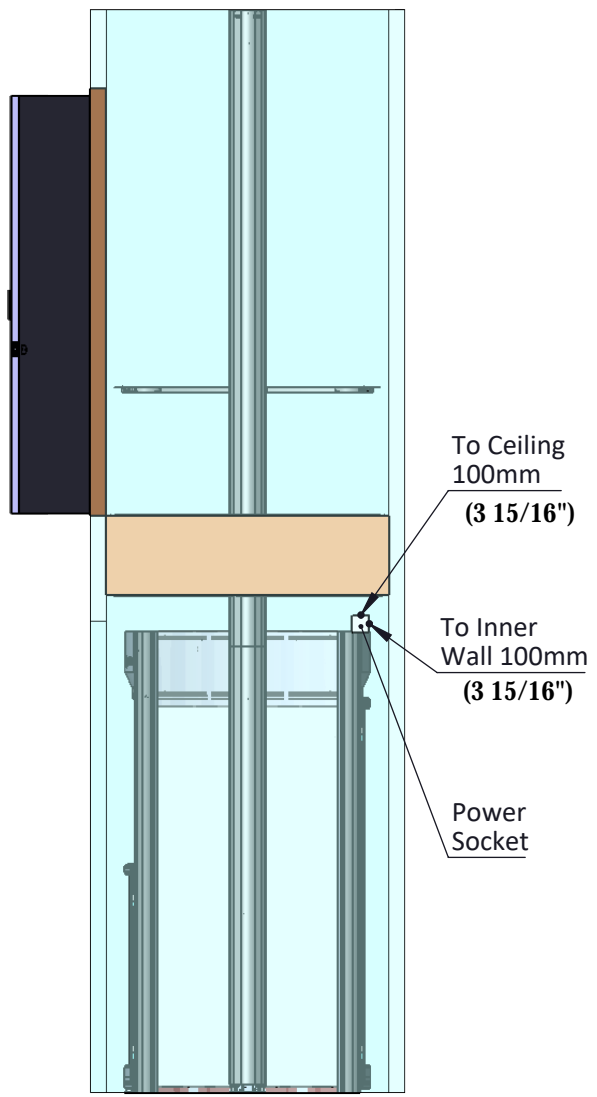
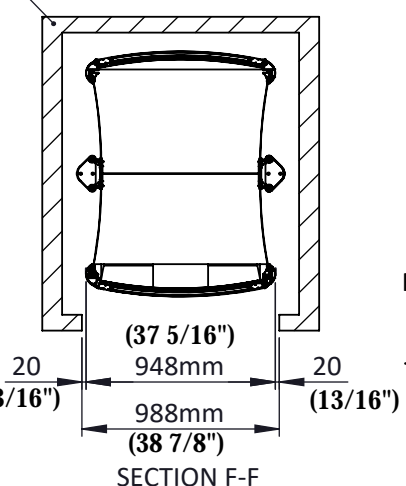
Doors can operate in RH and LH Positions



Bottom Door & Frame removed For Lift Installation



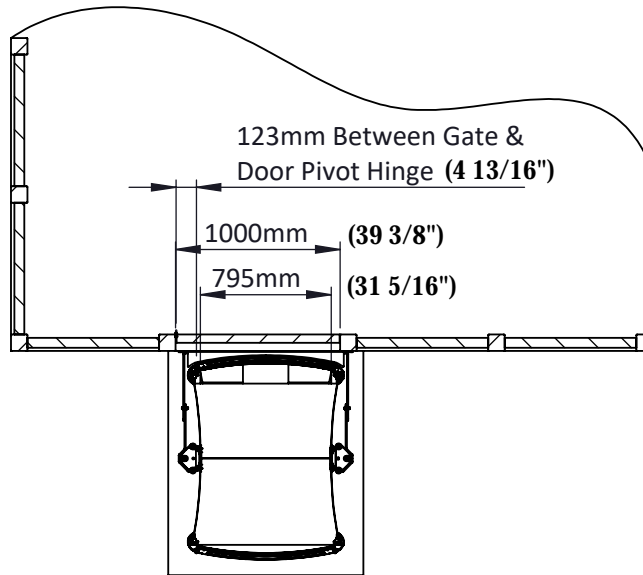
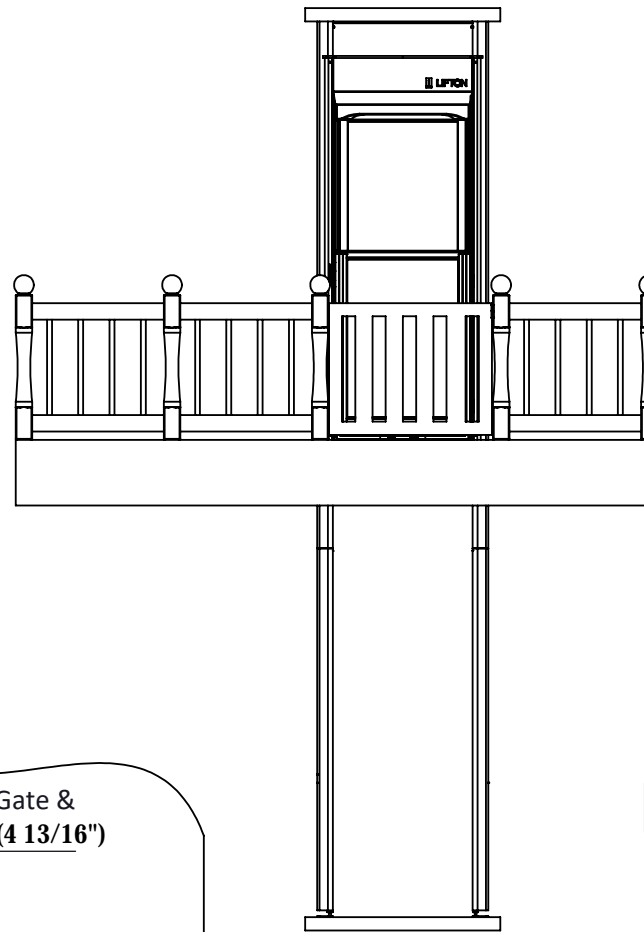
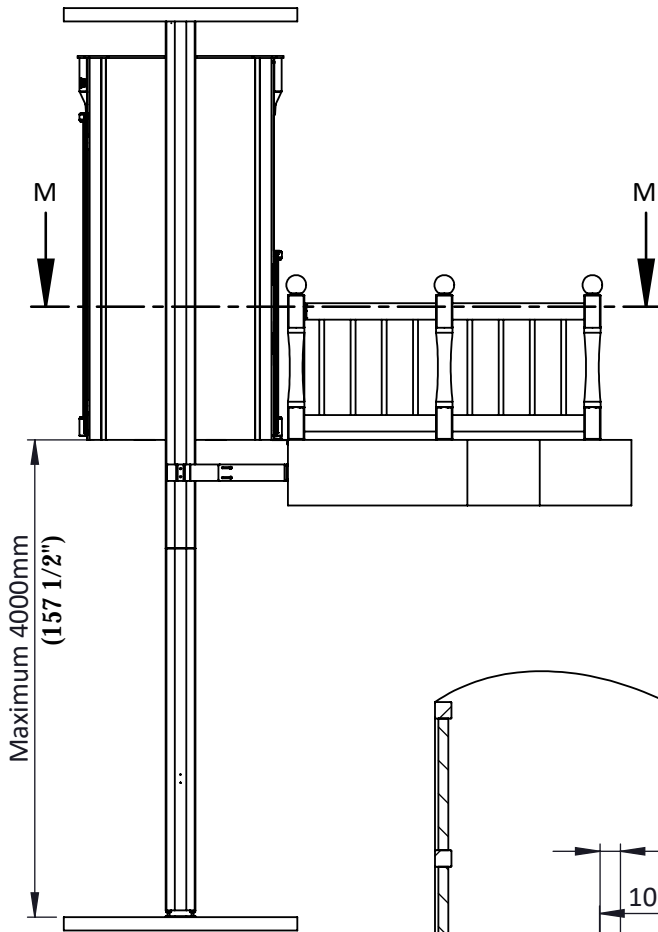
Wall Thickness By the Builder



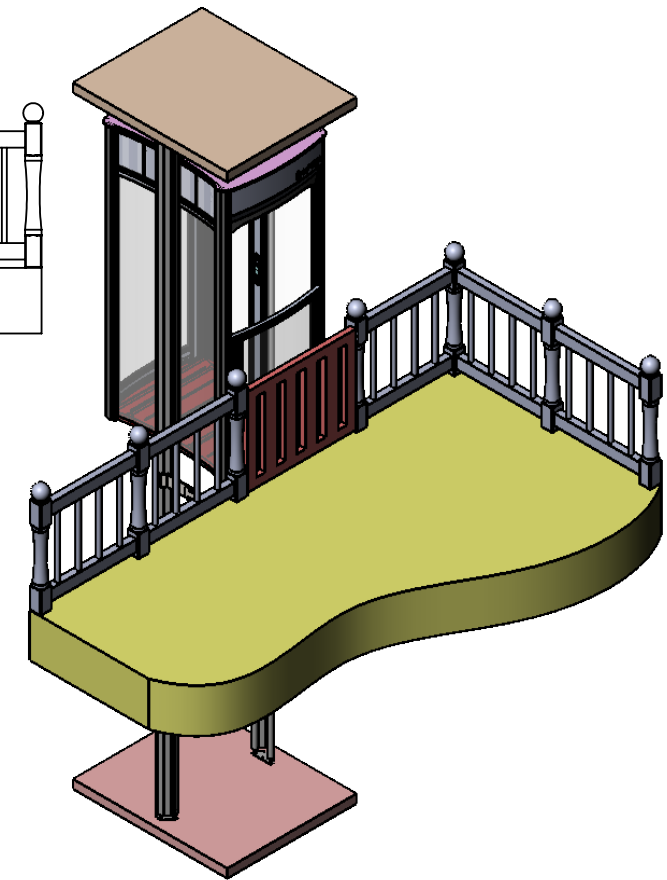
Shaft Application



© Stiltz Ltd. 2016		TITLE Lifton Trio Shaft Information	
Drawn JMG	Date 11/2016		
THIRD ANGLE PROJECTION - AS 1100		DIMENSIONS IN MM UNLESS OTHERWISE NOTED	
A4		Dwg No CUSTOMER. 07	PAGE 7 OF 10
		SCALE:	

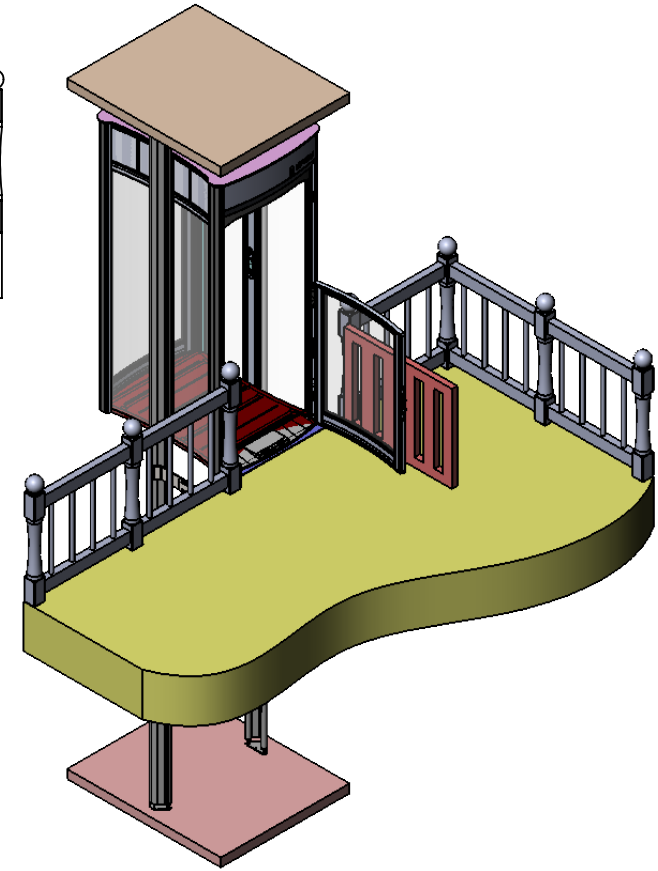
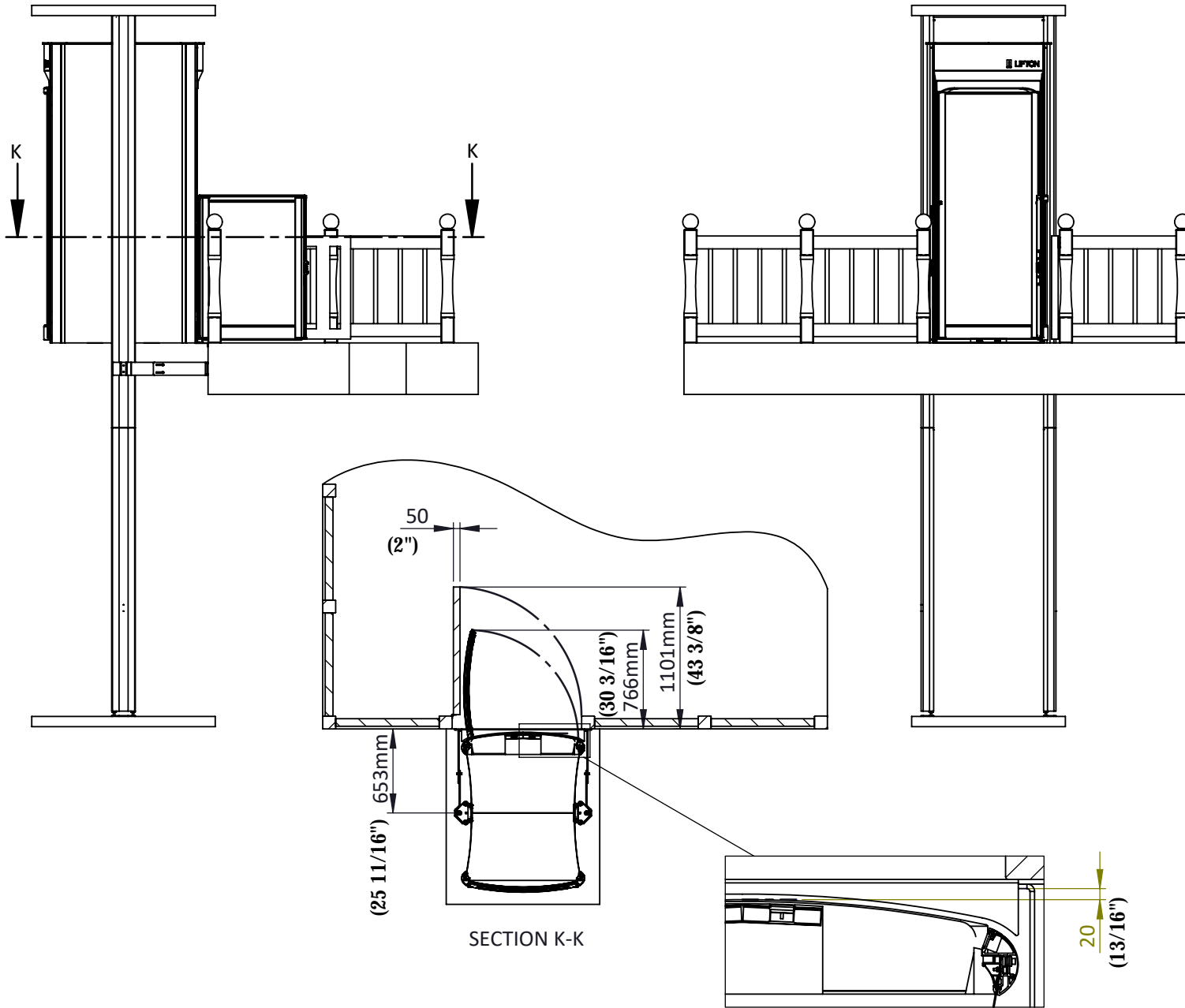


SECTION M-M



Door & Gate Close

PRINT MAY BE REDUCED - DO NOT SCALE.



Door & Gate Open



© Stiltz Ltd. 2016		TITLE Lifton Trio Lift Void Application	
Drawn JMG	Date 11/20-16		
THIRD ANGLE PROJECTION - AS 1100		A4	Dwg No CUSTOMER. 09
		SCALE:	PAGE 9 OF 10

