



Eclipse

Geared (Micro-6)



PARTS CATALOGUE

Part No. 001030
29-m03-2019

Revision History

July 10, 2015 - Initial release

November 4, 2015 - Revised Cab Gate Parts on page 73

February 17, 2016 - Revised back page - Savaria Corporation to Savaria Concord Lifts, Inc.

October 10, 2016 - Revised P/N for item 5 on page 30

May 17, 2017 - Revised prepack part numbers throughout; Revised selector items on page 36; Revised car top box items on page 82

January 31, 2018 - Added P/Ns for new controller on pages 34 and 35

February 13, 2018 - Revised P/N for item 3 on page 36

September 13, 2018 - Revised P/N for item 2 on page 36

January 31, 2019 - Added P/NS for motor sound-proof assembly and motor mount bracket on page 31

March 29, 2019 - Revised P/N for cordless buttons on page 97

Eclipse Geared (Micro-6) Parts Catalogue

Part No. 001030

Copyright © 2019
Savaria Concord Lifts, Inc.
All rights reserved

Printed in Canada

Contents

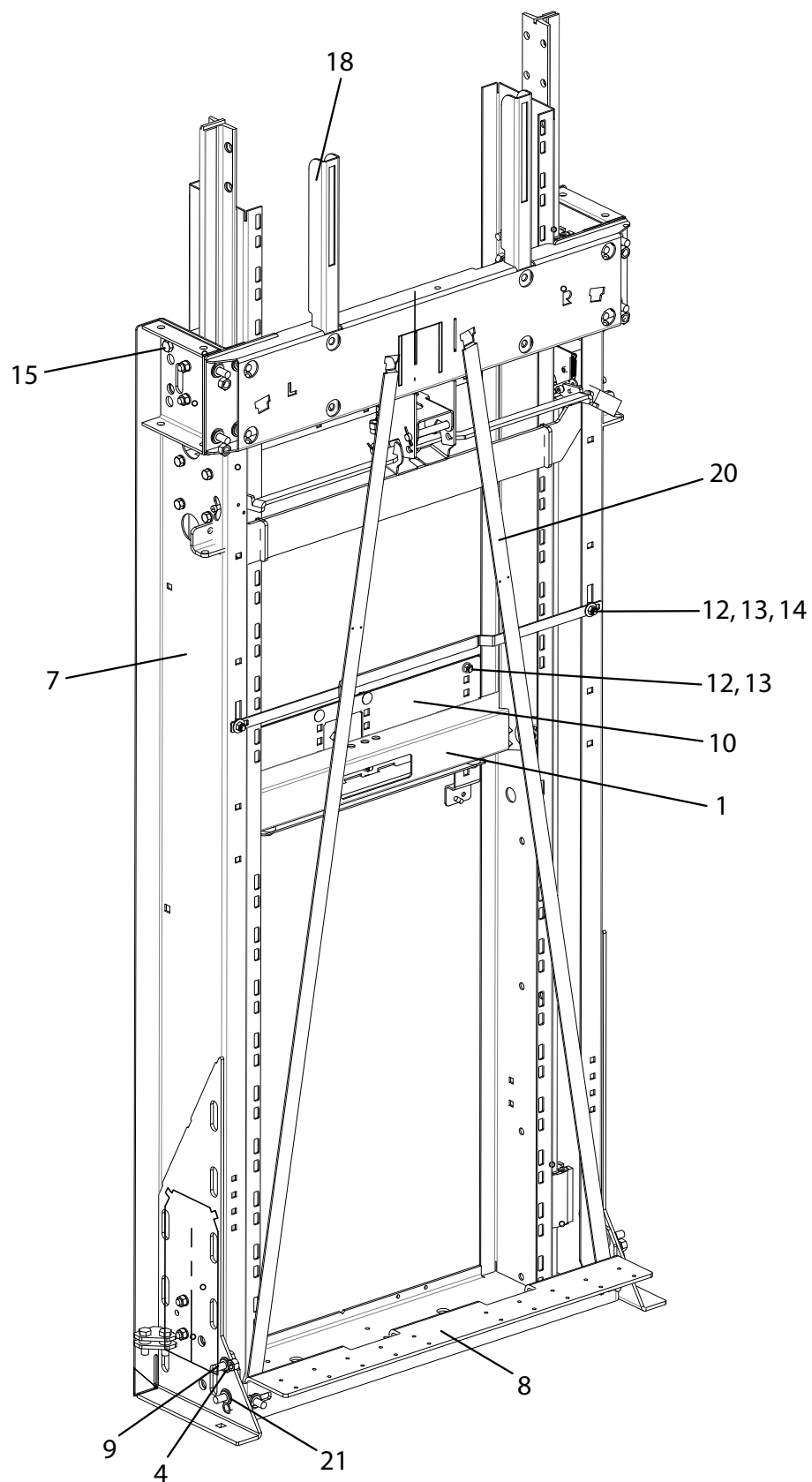
Base rail assembly - 227800	6
Stile assembly, 4 floor - 227801	10
Stile assembly, left - 227014-L	11
Stile assembly, right - 227014-R	12
Guide shoe - 213409	13
Middle rail extension	14
Top rail extensions	14
Common parts for top rail extension	15
Rail installation prepacks	16
Prepack, bracket mounting to wall (1/2" lag bolt) - 207124	16
Prepack, bracket mounting to wall (1/2" concrete anchor) - 207125	16
Prepack, bracket mounting to wall (through-bolt) - 207042	16
Prepack, rail splice - C5290148 (was 227005)	16
Prepack, L-bracket to rail - C5290148 (was 227010)	17
Prepack, anchor to pit floor - 227566	17
Rail buffer	19
Counterweight assembly - 227008	20
Counterweight rod assembly - 227106	21
Counterweight rod installation prepack - 227009	22
Chain and chain guard	23
Chain guard prepack - C5290149 (was 227011)	23
Chain dampener assembly - 227016	24
Lift bracket assembly - 227802	25
Pit buffer shim assembly	27
Pit switch assembly - 320070	27
Motor drive assembly, right hand geared, aluminum - 227288	28
Motor drive assembly, left hand geared, aluminum - 227298	29
Motor (drive) installation prepack - C5290149 (was 227017)	30
Motor sound-proof assembly and motor mount bracket	31
Motor access door assembly - 227285-EMI/227285-EMI-12	32
Shoring brackets	33
Bottom shoring bracket - 227565	33
Top shoring bracket, (over-travel stop) - 227244/227244-L	33
Controller assembly	34
Controller box assemblies (for controller 772401, SCTL8)	34
Controller box assemblies (for controller 772390, SCTL6)	34
Controller box mounting	34
Controller box assembly	35
Selector (tape reader) assembly - 227955-CHN	36
Tape mounting parts	36
Tape installation prepack - C5290140 (was 227977)	38
Selector (tape reader) installation prepack - 227972	39

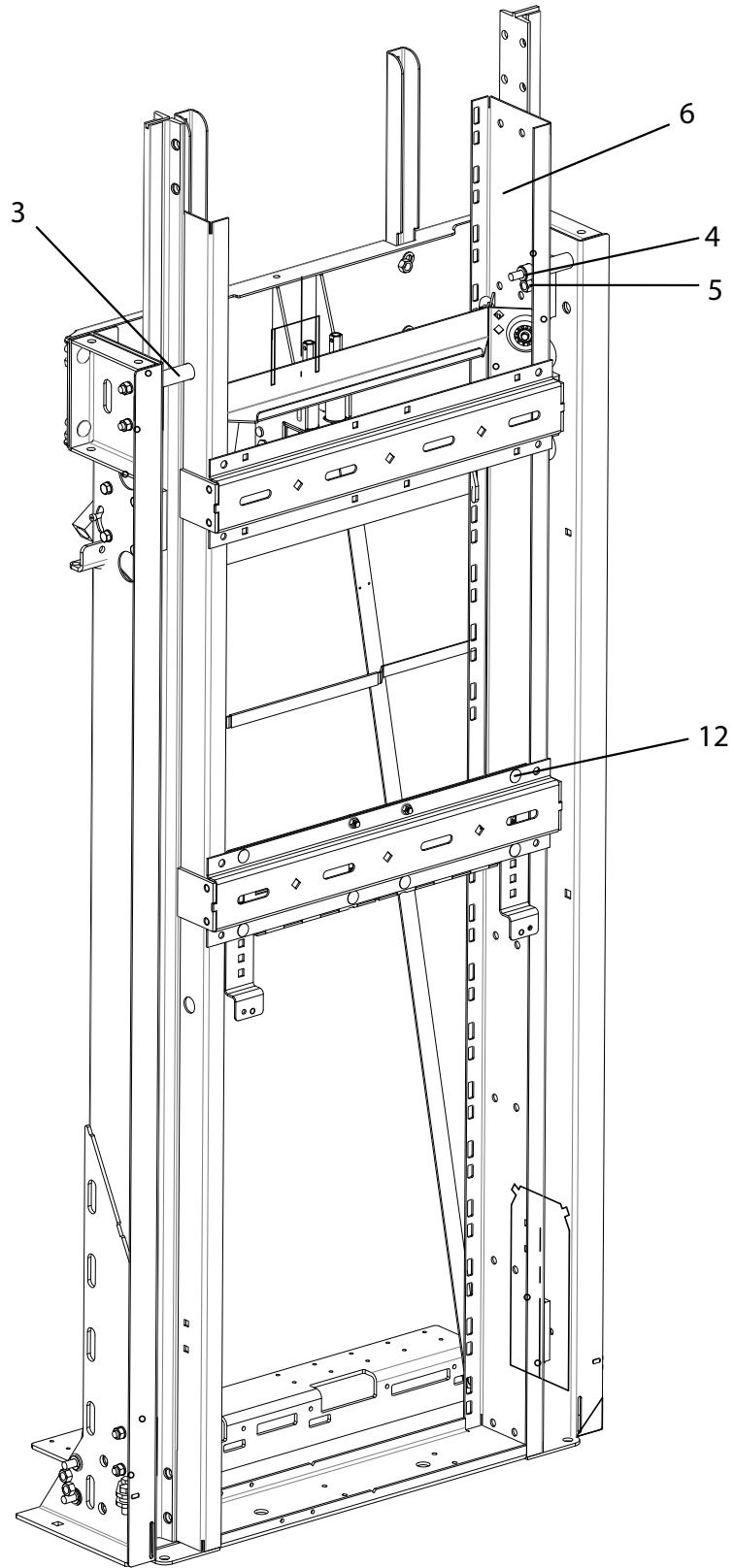
Sling assembly	40
Sling installation prepack - C5290150 (was 227013)	41
Cab assemblies	42
Type 1L - 36" wide cab (side entrance A)	43
Type 1R - 36" wide cab (side entrance C)	44
Type 1L - 40" wide cab (side entrance A)	45
Type 1R - 40" wide cab (side entrance C)	46
Type 2 - 36" wide cab (side entrance A)	47
Type 2 - 36" wide cab (side entrance C)	48
Type 2 - 40" wide cab (side entrance A)	49
Type 2 - 40" wide cab (side entrance C)	50
Type 3 - 36" wide cab (side entrance C)	51
Type 3 - 36" wide cab (side entrance B RH)	52
Type 4 - 36" wide cab (side entrance A)	53
Type 4 - 36" wide cab (side entrance B LH)	54
Type 3 - 40" wide cab (side entrance C)	55
Type 3 - 40" wide cab (side entrance B RH)	56
Type 4 - 40" wide cab (side entrance A)	57
Type 4 - 40" wide cab (side entrance B RH)	58
Type 5_M1 LH (B nib +slam)	59
Type 5_M2 RH (B nib + slam)	60
Type 5_M3 LH (B 2 nib walls)	61
Type 5_M4 RH (B 2 nib walls)	62
Type 5_M5 LH (B pocket)	63
Type 5_M6 RH (B pocket)	64
Type 5_M7 LH (B nib + pocket)	65
Type 5_M8 RH (B nib + pocket)	66
36" cab - no gate, light screen	67
40" cab - no gate, light screen	67
Cab floor assemblies	69
Type 1R/1L floor assembly (36" wide)	69
Type 1R/1L floor assembly (40" wide)	70
Type 2 floor assembly (36" wide)	71
Type 2 floor assembly (40" wide)	72
Sill assemblies	73
Standard sill assembly - 226611-L/226611-R	74
Standard sill assembly - 226651-L/226651-R	74
Cab ceiling assemblies	75
Type 1R/1L ceiling assembly (36" wide)	75
Type 1R/1L ceiling assembly (40" wide)	76
Type 2 ceiling assembly (36" wide)	77
Type 2 ceiling assembly (40" wide)	78
Cab gate parts	79
Handrails	80
Phone cabinets	81
Car top box - 227995-ACC	82
Plank switch service kit - 310424	82

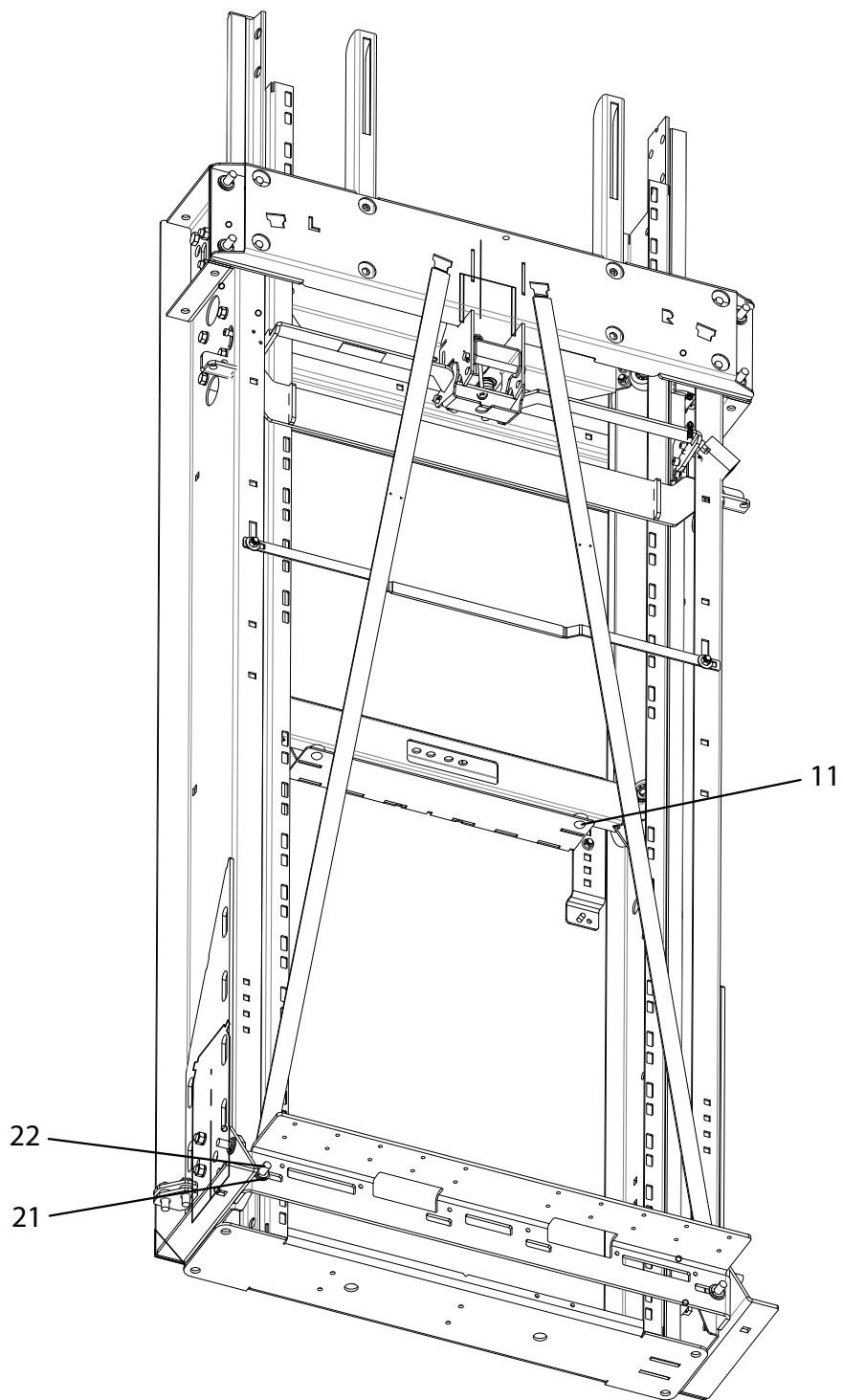
Car operating panels (COPs)	83
Hall calls	88
Hall call cables	89
Hall landing station (with key) cable	90
Traveling cables	91
Traveling cable - round	91
Traveling cable A - flat	92
Traveling cable B - flat	93
Motor cables	94
Misc cables	96
Miscellaneous items	97
Documents	97
Tools	97
Auxiliary disconnects	97
Door locks – PORTA	98
PORTA lock kit, left hand - 222614	98
PORTA lock kit, right hand - 222615	98
Door locks – PRO-EMI	99
PRO-EMI lock kit, left hand - 221456	99
PRO-EMI lock kit, right hand - 221457	99
Door Locks – Honeywell	100
Honeywell lock kit, left hand - 320505	100
Honeywell lock kit, right hand - 320506	100
Emergency access key - 300878	101
Landing side access plate - 227588-S	101
Hoistway side access plate - 227858-S	101
Commander door operator	102
Commander door operator, right hand, swing in - 300994-M	102
Commander right hand, swing in arm/linkage - 300699	103
Commander door operator, left hand, swing in - 300996-M	104
Commander left hand, swing in arm/linkage - 300700	105

Base rail assembly - 227800

Item	Part number	Description
1	227008	CWT_ASSY MRL
3	227183	TUBE_STABILIZER TRANSPORT MRL
4	102193	WASHER_LOCK 1/2
5	101106	NUT_HEX 1/2-13
6	227161	RAIL_BASE MRL W/A
7	227801	STILE_4 FLR ASSY MRL
8	227805	SLING_BACK MRL
9	101052	CB_1/2-13 X 1-1/2 GR5
10	227131	BRIDGE_CWT MRL
11	105839	BUMPER_RBR BLK 1" X 5/16
12	100074	CB_3/8-16 X 3/4" ZNC
13	102186	NUT_HEX 3/8-16
14	102191	WASHER_LOCK 3/8
15	101757	HHCS_1/2#13 X 5.00" BRE
16	209266	DECAL_ELCIPSE SAFETY BRAKE
18	227018	SPRT_CEILING 80" CAB MRL
19	100188	HHCS_1/2-13 X 2
20	227132	BAR_CROSS DIAG MRL SLING
21	105689	WASHER_FLAT 1.06 OD X .595ID X 80THK
22	102200	HHCS_1/2-13 X 1-12

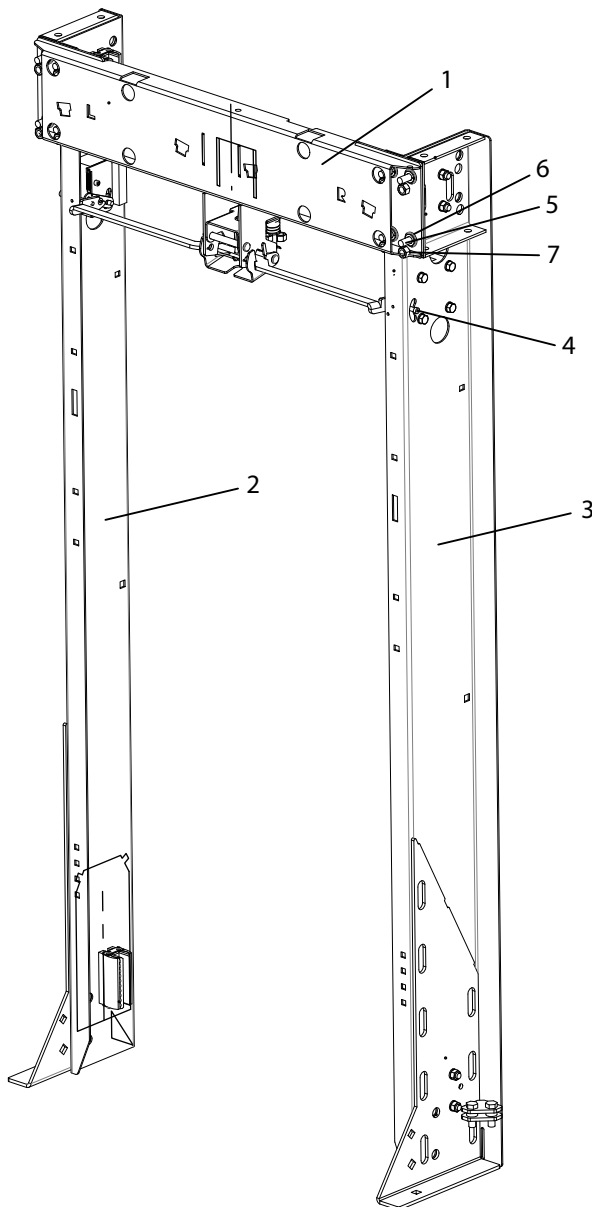






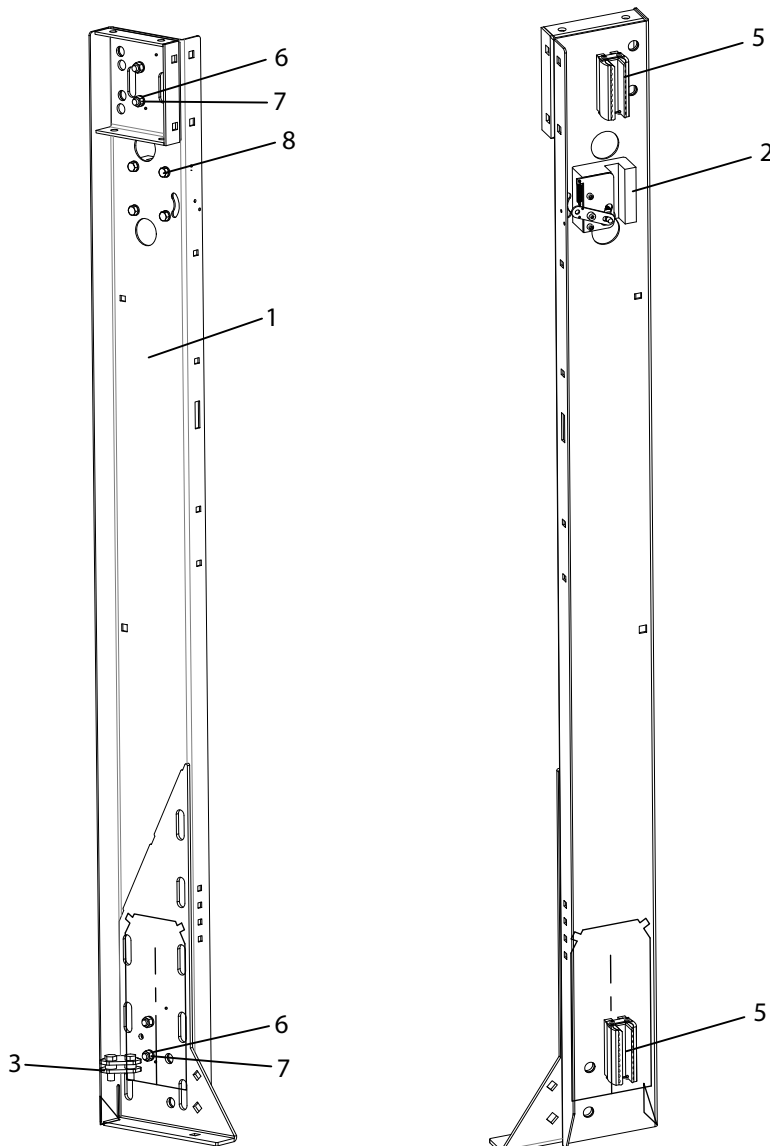
Stile assembly, 4 floor - 227801

Item	Part number	Description
1	227802	BRKT_LIFTING ASSY MRL
2	227014-L	STILE_LEFT ASSY MRL
3	227014-R	STILE_RIGHT ASSY MRL
4	105688	BOLT_SHS 1/4-20 X 2-12 X 5/16
5	101052	CB_1/2-13 X 1-1/2 GR5
6	102193	WASHER_LOCK 1/2
7	101106	NUT_HEX 1/2-13



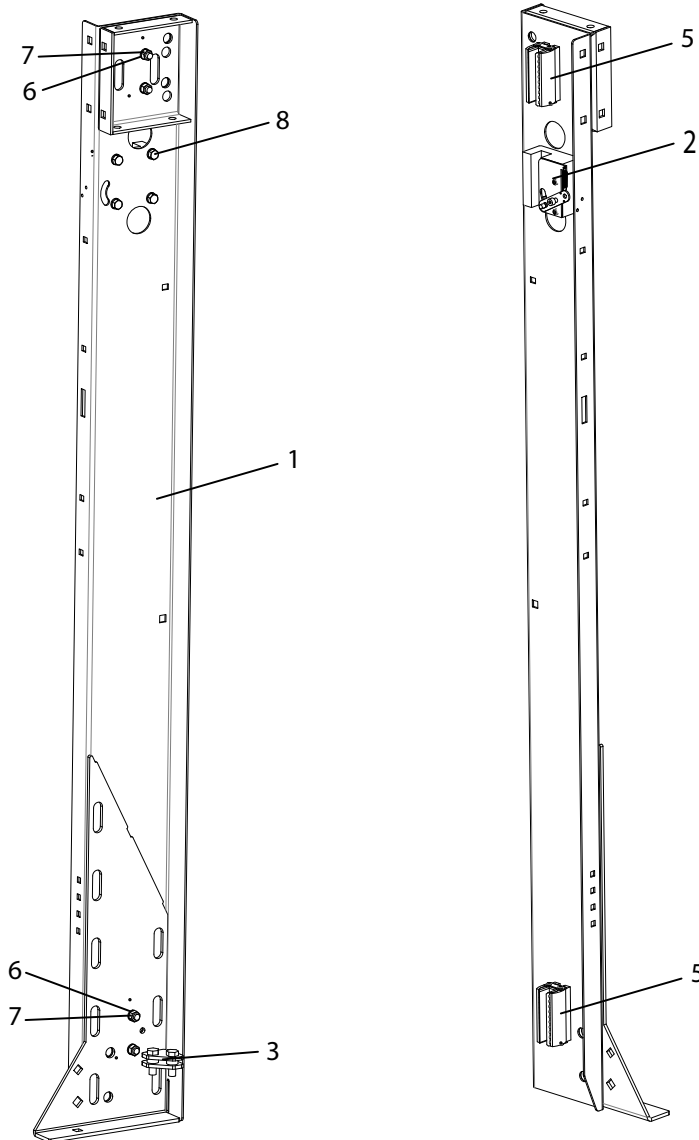
Stile assembly, left - 227014-L

Item	Part number	Description
1	227137-L	ARM_SLING LEFT W/A MRL
2	227146-L	BLOCK_SAFETY LH MRL
3	227158	LUG_LEVELING SLING ARM PEMMED
4	100185	HHCS_1/2-13 X 1-12 GR5
5	213409	GUIDESHOE_ASSY 8LB RAIL
6	102192	WASHER_LOCK 7/16
7	101094	NUT_HEX 7/16-14
8	104789	HHCS_7/16-14 X 1 GR5



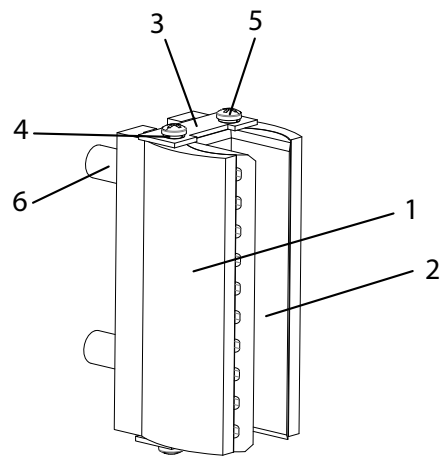
Stile assembly, right - 227014-R

Item	Part number	Description
1	227137-R	ARM_SLING RIGHT W/A MRL
2	227146-R	BLOCK_SAFETY RH MRL
3	227158	LUG_LEVELING SLING ARM PEMMED
4	100185	HHCS_1/2-13 X 1-12 GR5
5	213409	GUIDESHOE_ASSY 8LB RAIL
6	102192	WASHER_LOCK 7/16
7	101094	NUT_HEX 7/16-14
8	104789	HHCS_7/16-14 X 1 GR5



Guide shoe - 213409

Item	Part number	Description
1	213001	GUIDE_SLIDE 4" FOR GUIDESHOE
2	210129	GUIDESHOE_INSRT PRO 8LB RAIL
3	200001	CLIP_RETNR GUIDE SHOE 8LB RAIL
4	101222	WASHER_LOCK #8 ZNC
5	102113	SCREW_SM PHP #8 X 3/4
6	101049	CB_7/16 X 1-1/2 GR5
-	246068	SHIM_GUIDE SHOE VPL
-	240067	SHIM_GUIDE SOE VP 1/32



Middle rail extension

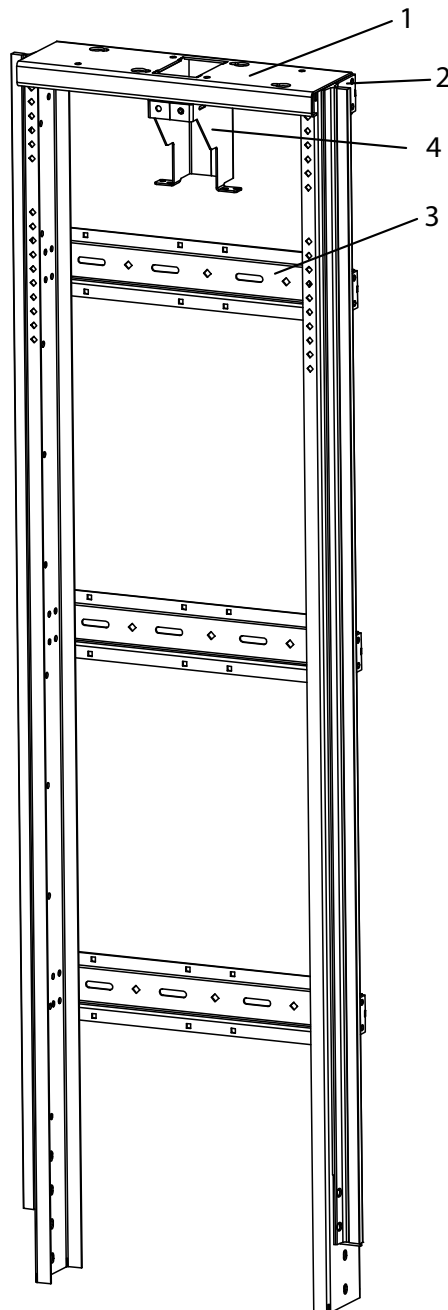
Part number	Description
227227	MIDDLE RAIL EXTENSION 96"

Top rail extensions

Part number	Description
227237	TOP RAIL EXTENSION 0"
227033	TOP RAIL EXTENSION 6"
227037	TOP RAIL EXTENSION 12"
227041	TOP RAIL EXTENSION 18"
227045	TOP RAIL EXTENSION 24"
227049	TOP RAIL EXTENSION 30"
227028	TOP RAIL EXTENSION 36"
227053	TOP RAIL EXTENSION 42"
227057	TOP RAIL EXTENSION 48"
227061	TOP RAIL EXTENSION 54"
227065	TOP RAIL EXTENSION 60"
227069	TOP RAIL EXTENSION 66"
227073	TOP RAIL EXTENSION 72"
227077	TOP RAIL EXTENSION 78"
227081	TOP RAIL EXTENSION 84"
227181	TOP RAIL EXTENSION 90"

Common parts for top rail extension

Item	Part number	Description
1	227179	PLT_MTR MNT
2	227169	STFNR_RAIL BACK
3	227172	STFNR_RAIL SIDE
4	227152 227152-L	BRKT_CHAIN DAMPENER RH BRKT_CHAIN DAMPENER LH



Rail installation prepacks

Prepack, bracket mounting to wall (1/2"lag bolt) - 207124

Item	Part number	Description
1	100220	SCRW_LAG HH 1/2 X 3
2	102193	WSHR_LCK 1/2
3	104531	WSHR_FLT .56ID X 1.375OD X .11 ZNC

Prepack, bracket mounting to wall (1/2" concrete anchor) - 207125

Item	Part number	Description
1	102251	ANCR_WEDGE 1/2 X 4 1/4
2	101106	NUT_HEX 1/2-13
3	102193	WSHR_LCK 1/2
4	104531	WSHR_FLT .56ID X 1.375OD X .11 ZNC

Prepack, bracket mounting to wall (through-bolt) - 207042

Item	Part number	Description
1	104531	WSHR_FLT .56ID X 1.375OD X .11 ZNC
2	102193	WSHR_LCK 1/2
3	101106	NUT_HEX 1/2-13
4	200181	BOLT_THRU RAIL BRKT MNTG

Prepack, rail splice - C5290148 (was 227005)

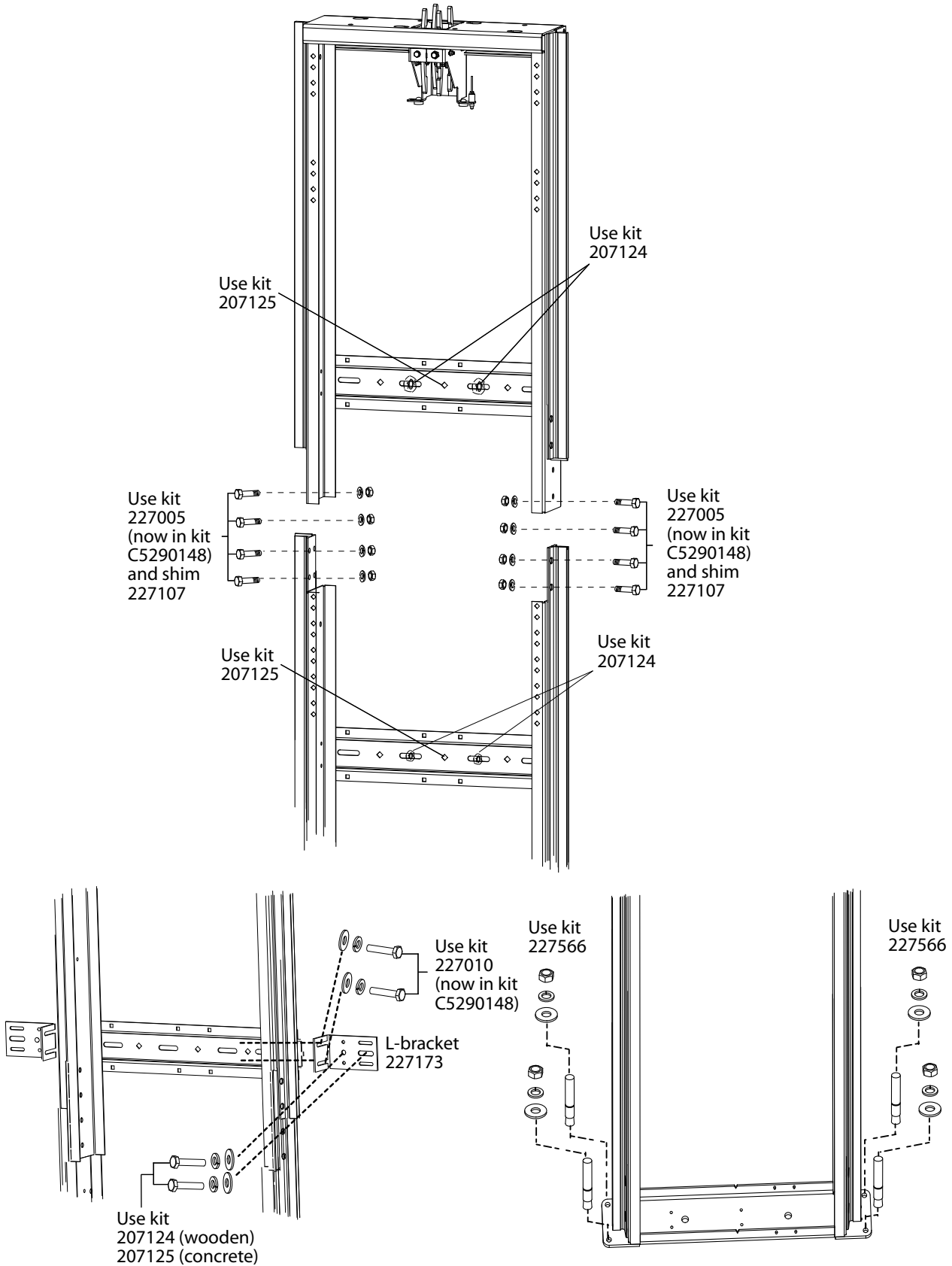
Item	Part number	Description
1	102199	HHCS_1/2-13 X 1 1/4
2	101106	NUT_HEX 1/2-13
3	102193	WSHR_LCK 1/2
4	102189	WSHR_FLT 1/2 USS
-	227107	SHIM_RAIL

Prepack, L-bracket to rail - C5290148 (was 227010)

Item	Part number	Description
1	102188	WSHR_FLT 3/8 USS
2	102191	WSHR_LCK 3/8
3	102197	HHCS_3/8-16 X 1
-	227173	L-BRACKET_RAIL

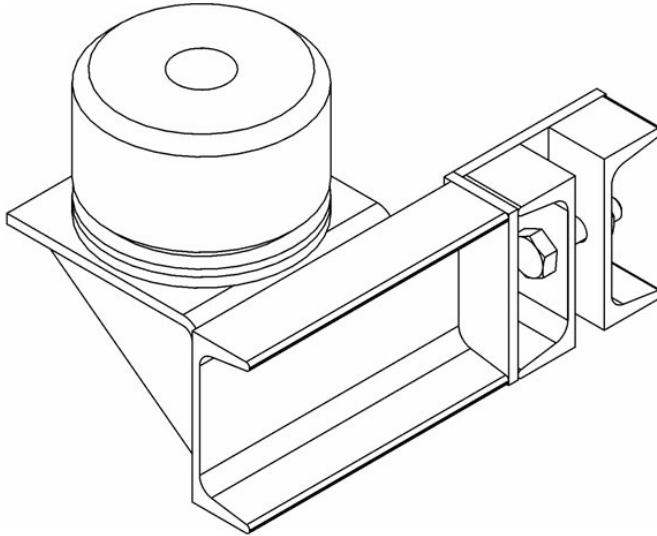
Prepack, anchor to pit floor - 227566

Item	Part number	Description
1	102193	WSHR_LCK 1/2
2	101106	NUT_HEX 1/2-13
3	101008	ANCR_WEDGE 1/2 X 2 3/4
4	104531	WSHR_FLT .56ID X 1.375OD X .11 ZNC



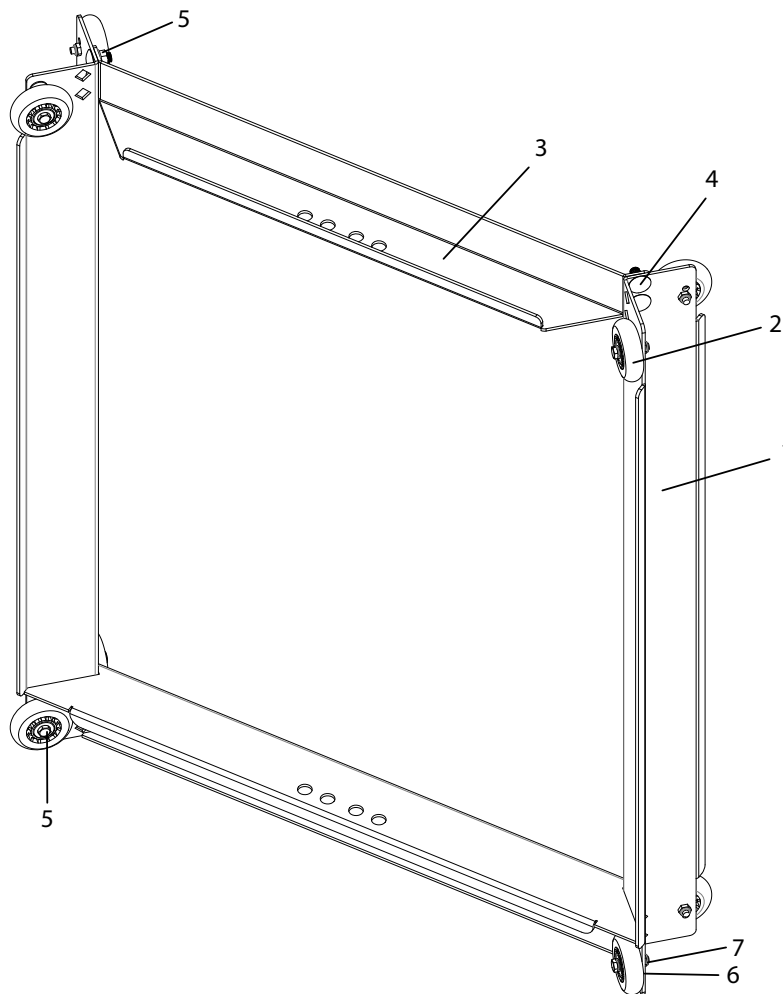
Rail buffer

Part number	Description
200888	BUFFER_ASSY LH
200891	BUFFER_ASSY RH



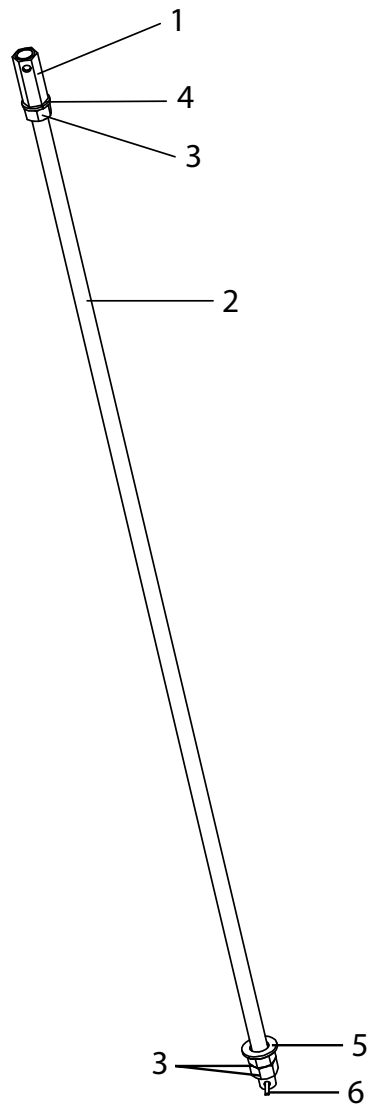
Counterweight assembly - 227008

Item	Part number	Description
1	227101	CWT_FRAME ASSY MRL
2	227108	ROLLER_GUIDE CNTWT ASSY MRL
3	227104	COUNTERWEIGHT_SPREADER MRL
4	100074	CB_3/8-16 X 3/4" ZNC
5	105283	NUT_FLANGE 3/8-16
6	104867	WASHER_FLAT 5/16" SMALL S/S
7	102729	NUT_HEX 1/4-20 JAM NYLOK
8	103390	HHCS_1/4#20 X 1.25" FULLTHRD ZNC
-	227946-C	CWT_PLT CAST IRON MRL W GOV



Counterweight rod assembly - 227106

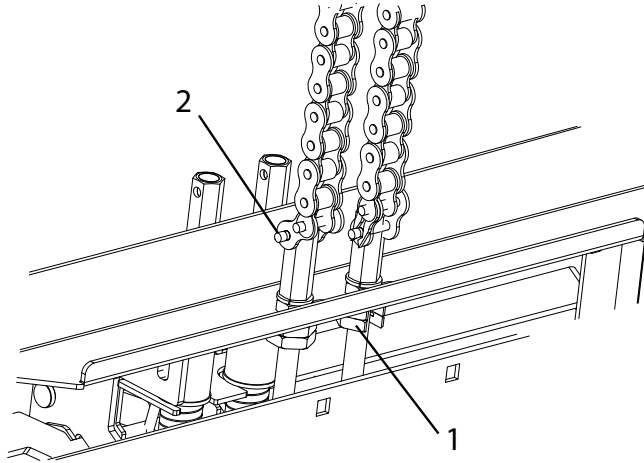
Item	Part number	Description
1	105653	NUT_CPLG 1/2-13 X 1-3/4" GR5 ZNC
2	106659	ROD_THD 1/2 #13 X 39" B7 ZNC
3	101106	NUT_HEX 1/2-13
4	102193	WSHR_LCK 1/2
5	105659	WSHR_FLAT 1.06OD X .595ID X .80THK
6	101832	PIN_COTTER 1/8-1



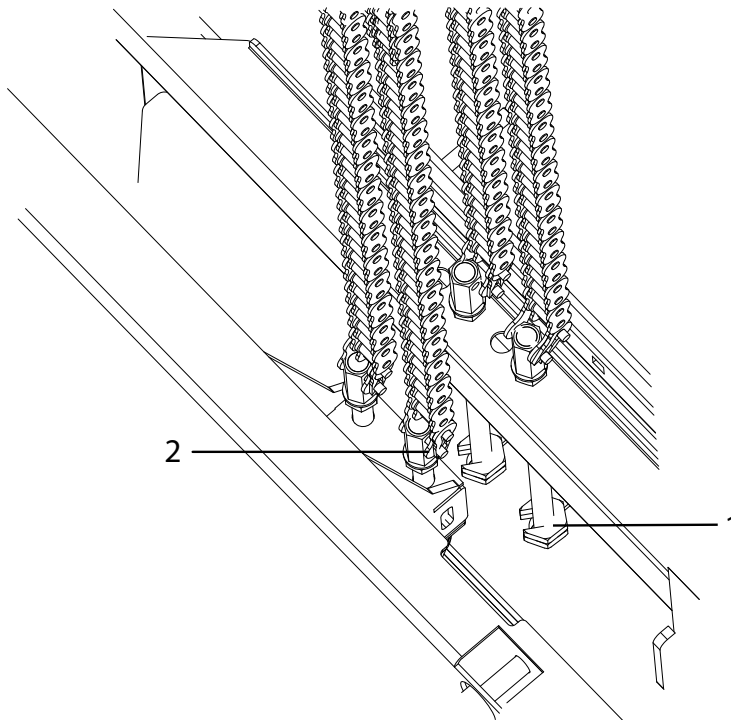
Counterweight rod installation prepack - 227009

Item	Part number	Description
1	105655	NUT_SPLIT 1/2-13 NC
2	105656	CHAIN_CONN LINK #60 2PIN

Chains to counterweight rods



Chains to lifting bracket

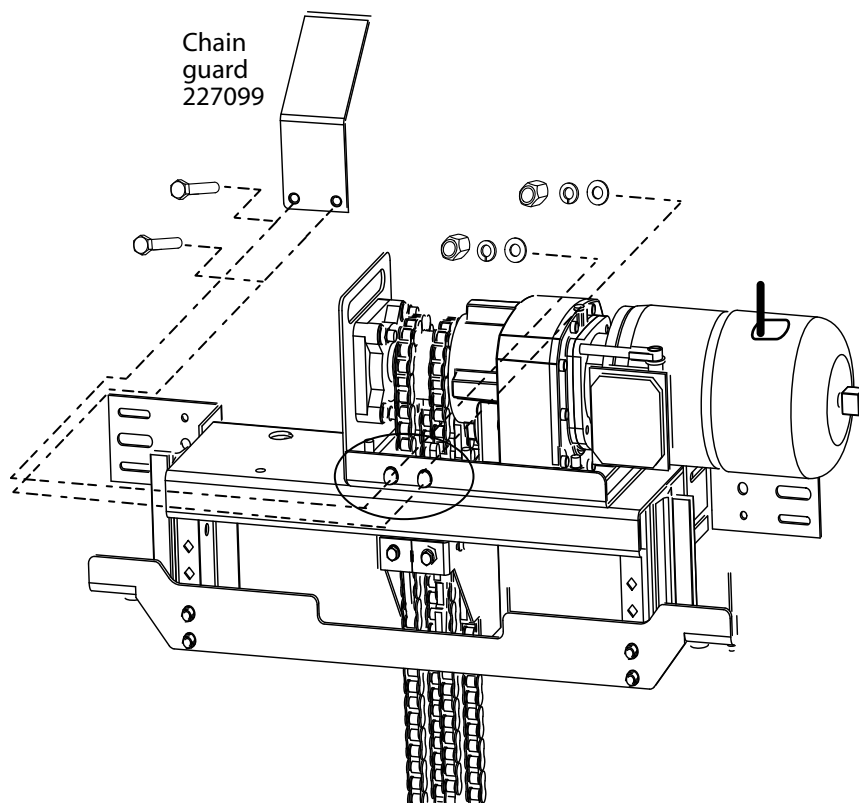


Chain and chain guard

Item	Part number	Description
1	105657 105657-L	CHAIN_REEL RC-60 CHAIN_REEL RC-60 7000LBS
2	227099	GUARD_CHAIN

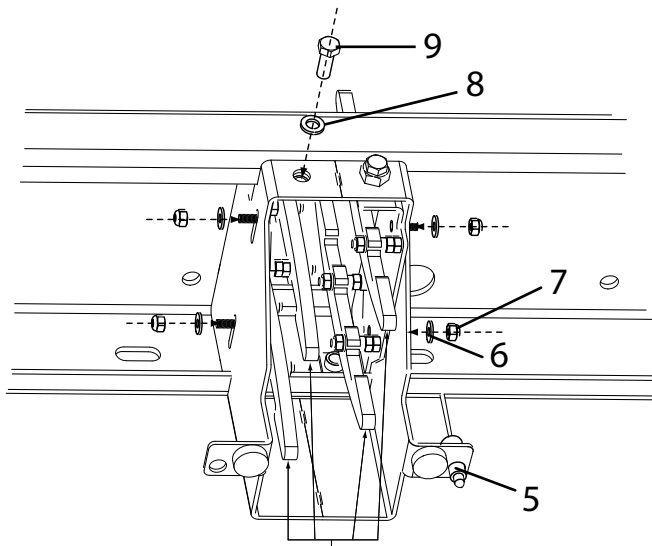
Chain guard prepack - C5290149 (was 227011)

Item	Part number	Description
1	102197	HHSC_3/8-16 X 1
2	102191	WSHR_LCK 3/8
3	102188-Y	WSHR_FLT 3/8 USS YLW ZNC

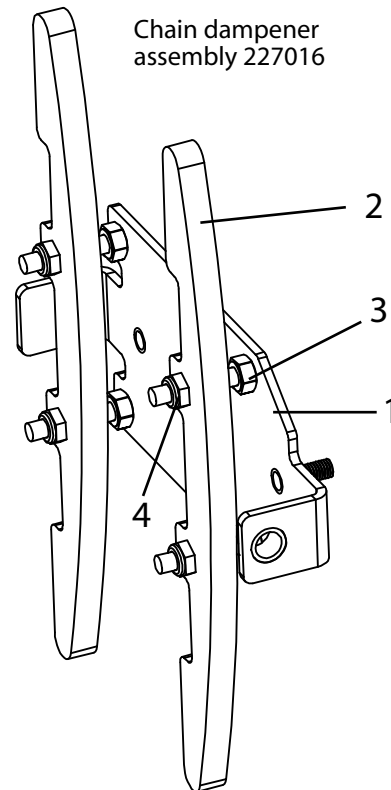


Chain dampener assembly - 227016

Item	Part number	Description
1	227155	SPACER_CHAIN DAMPENER
2	227154	SHOE_CURVED
3	102205	NUT_HEX 1/4-20
4	102729	NUT_HEX 1/4-20 JAM NYLOK
5	102182	SW_LMT 8900-KS89
6	101196	WSHR_FLAT 1/4 USS
7	101930	NUT M6-1.0
8	102191	WSHR_LCK 3/8
9	102197	HHCS_3/8-16 X 1



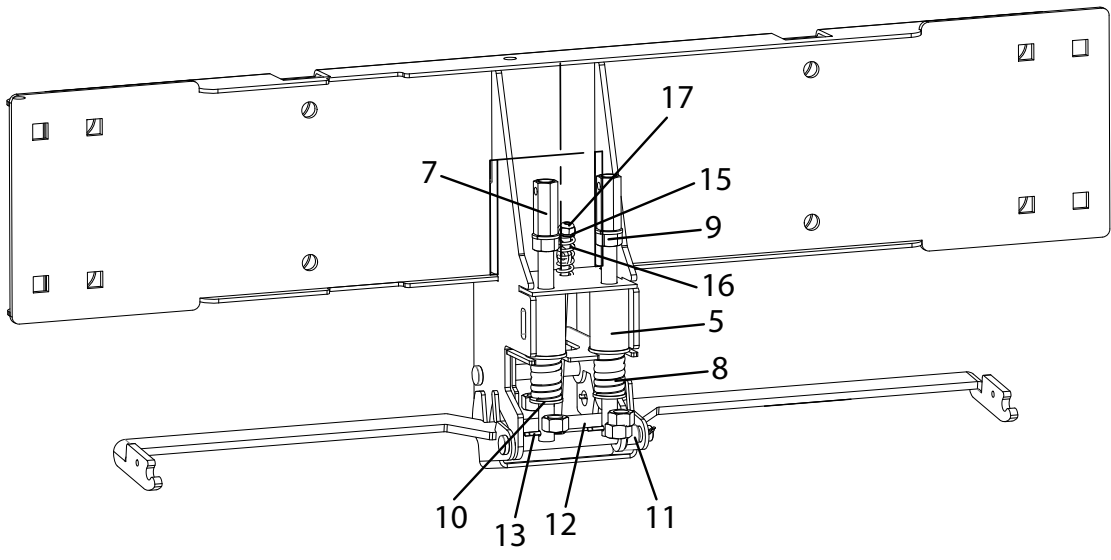
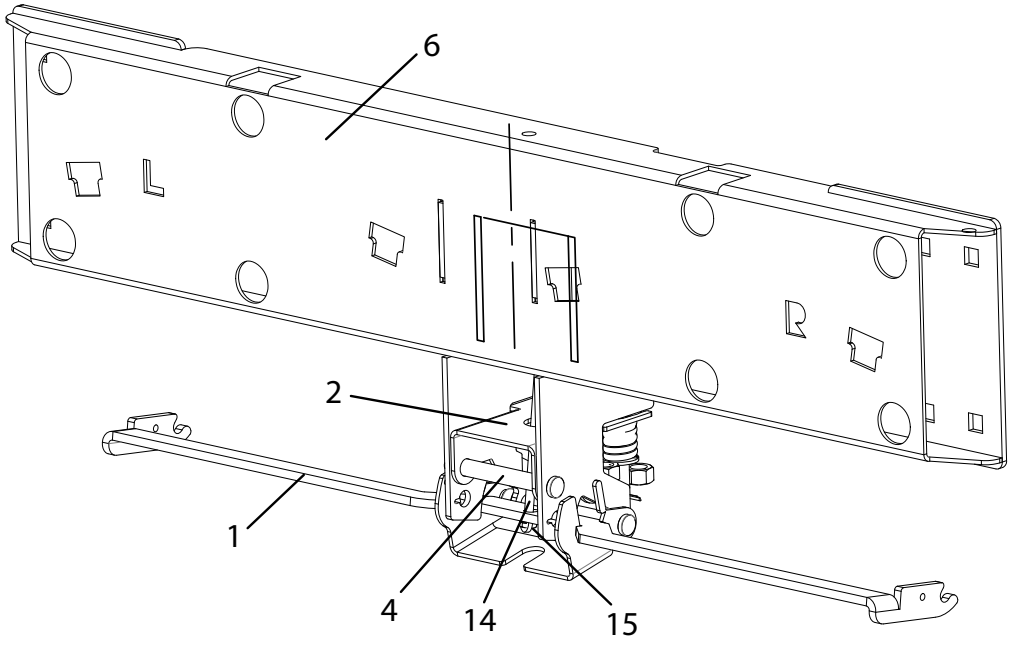
Chain dampener
assemblies 227016



Chain dampener
assembly 227016

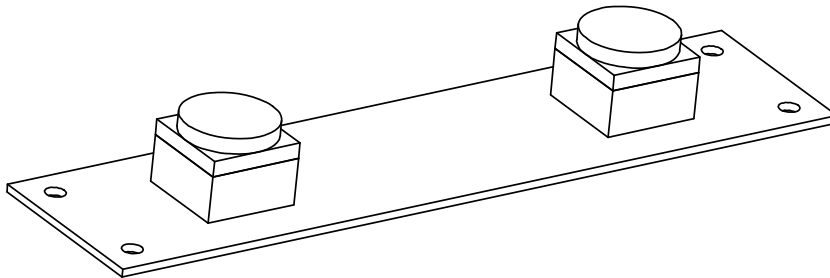
Lift bracket assembly - 227802

Item	Part number	Description
1	227798	CRANK_BELL BRAKE W/A MRL
2	227122	TRAY_CBL LIFTING BRKT
3	252488-A	BRKT_EMERG SW ECLIPSE AUTO RST
4	105433	PIN_CLEVIS 1/2 X 4 ZNC
5	106820	SPNG .975"OD X 3.5"LNG X .125"WIRE
6	227803	BRKT_LIFTING W/A MRL
7	227128	ROD_LIFTING ASSY MRL
8	105660	SPNG_DIE 1/2ID X 1OD X 1.5L
9	101106	NUT_HEX 1/2-13
10	104341	WASHER_FLAT .531ID X 1.062OD X .095TH
11	102175	BSHG_PVC .5ID X .625OD X 9/16L
12	105661	PIN_CLEVIS 1/2 X 5 ZNC
13	101832	PIN_COTTER 1/8X1
14	102198-CHN	HHCS_1/4-20 UNC X 7" GR5 1-5/8
15	752000	WASHER_FLAT 0.250 1/4
16	106119	SPNG_COP .620OD X .072W X 2.00"L
17	102729	NUT_HEX 1/4-20 JAM NYLOK
18	772292	HRNS_VC PLANK SW
19	106819	WASHER_SPRNG ECLIPSE 1.700OD



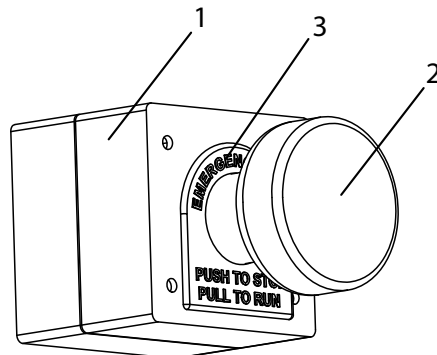
Pit buffer shim assembly

Part number	Description
220736	BUFFER_SHIM ASSY 5"
220737	BUFFER_SHIM ASSY 5-1/2"
220738	BUFFER_SHIM ASSY 6"
220739	BUFFER_SHIM ASSY 6-1/2"
220740	BUFFER_SHIM ASSY 7"
220741	BUFFER_SHIM ASSY 7-1/2"
220742	BUFFER_SHIM ASSY 8"
220743	BUFFER_SHIM ASSY 8-1/2"
220744	BUFFER_SHIM ASSY 9"



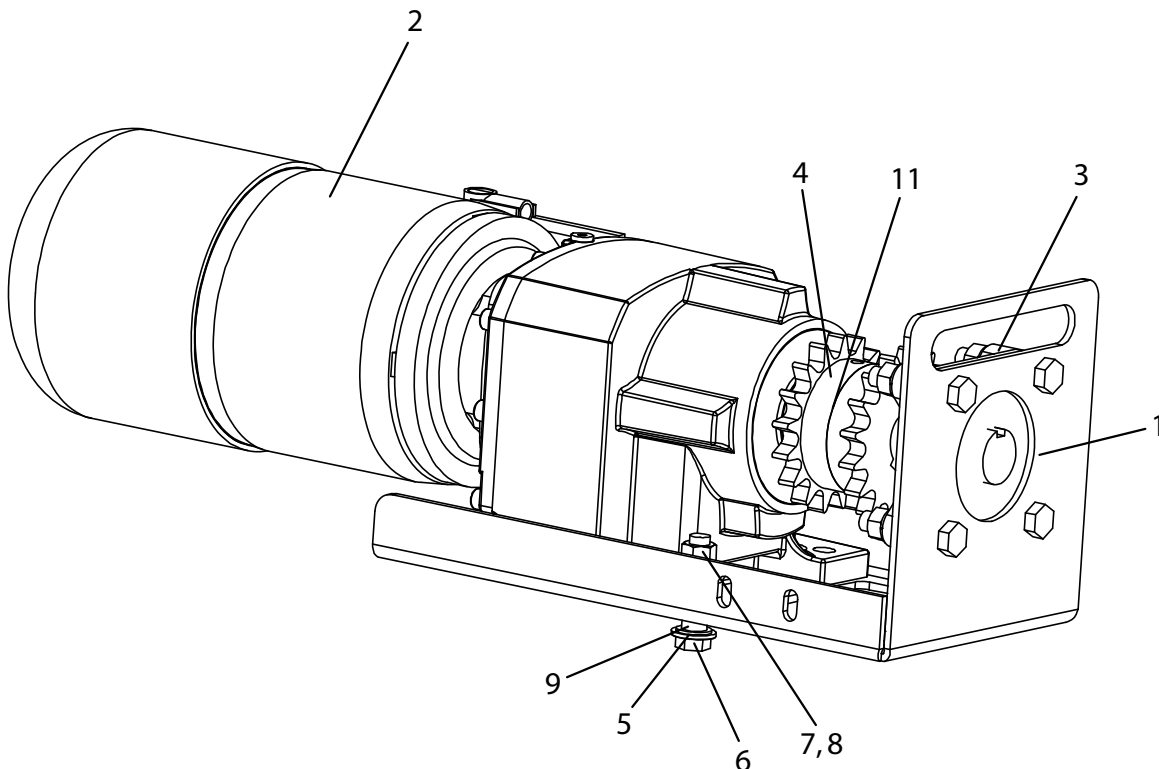
Pit switch assembly - 320070

Item	Part number	Description
1	243626	BOX_HC PLASTIC 1 HOLE
2	105117	BTN_STOP EMRG PSH/STP PULL 1NC
3	222709	LABEL_EMRG STOP PUSH/PULL
-	220668	HRNS_EMI-6-PIT SWITCH



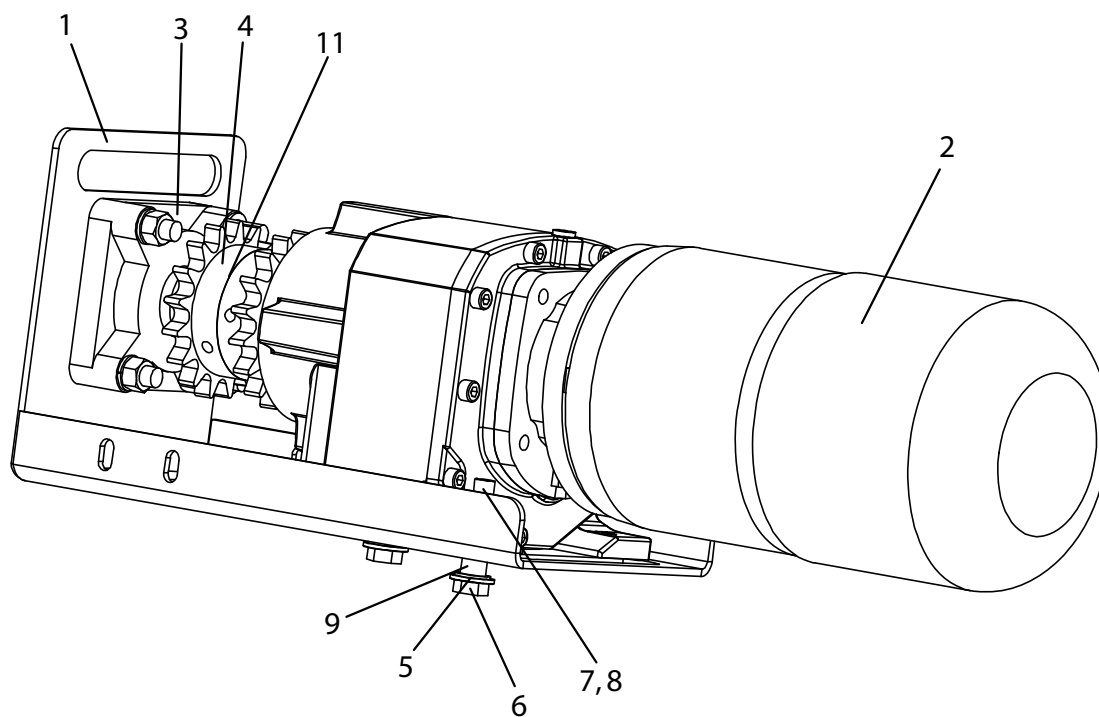
Motor drive assembly, right hand geared, aluminum - 227288

Item	Part number	Description
1	227151	CHNL_MNT DRIVE UNIT MRL
2	105768-R	MTR_GEAR 2HP HELICAL W/BRK RH
3	105659	BRNG_4 BOLT FLANGE 207106
4	105658	SPRKT_#60 17TOOTH 1.375 FIN BR
5	105689	WSHR_FLT 1.06OD X .595ID X 80THK
6	102974	HHCS_1/2-13 X 2 1/2 GR5
7	102193	WSHR_LCK 1/2
8	101106	NUT_HEX 1/2-13
9	102175	BSHG_PVC .5ID X .625OD C 9/16L
10	106983	CON_STRAIN RELIEF M25 X 1.5 GREY
11	106148	KEY_SHAFT 5/16" X 1 1/4"
12	209707	DECAL_BRAKE INSTRT ECLIPSE
13	209707-D	DECAL_BRAKE INSTRT ECLIPSE



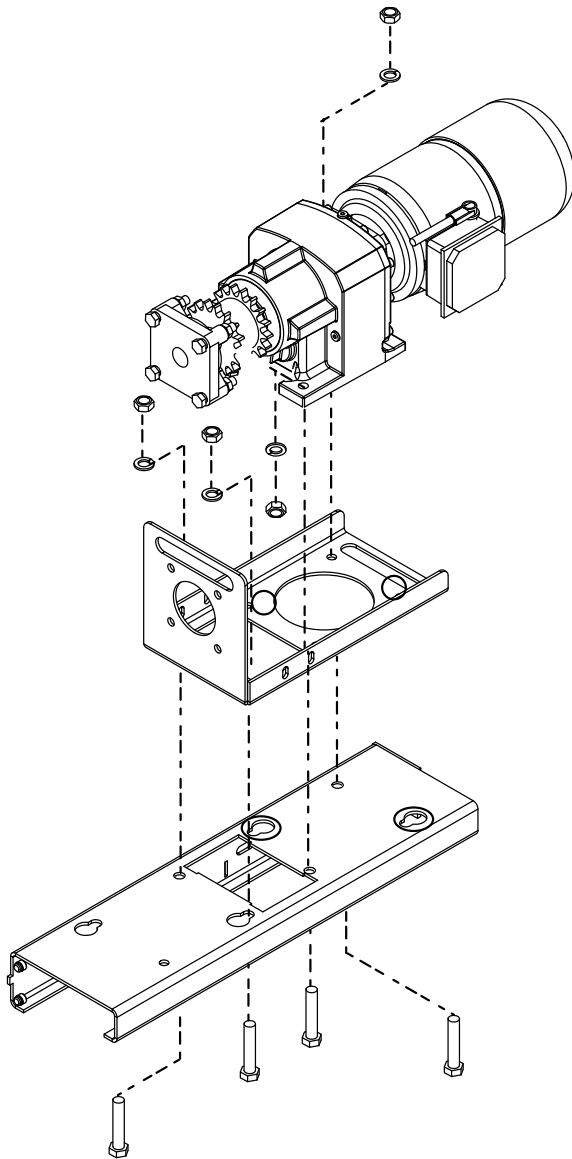
Motor drive assembly, left hand geared, aluminum - 227298

Item	Part number	Description
1	227151	CHNL_MNT DRIVE UNIT MRL
2	105768-L	MTR_GEAR 2HP HELICAL W/BRK LH
3	105659	BRNG_4 BOLT FLANGE 207106
4	105658	SPRKT_#60 17TOOTH 1.375 FIN BR
5	105689	WSHR_FLT 1.06OD X .595ID X 80THK
6	102974	HHCS_1/2-13 X 2 1/2 GR5
7	102193	WSHR_LCK 1/2
8	101106	NUT_HEX 1/2-13
9	102175	BSHG_PVC .5ID X .625OD C 9/16L
10	106983	CON_STRAIN RELIEF M25 X 1.5 GREY
11	106148	KEY_SHAFT 5/16" X 1 1/4"
12	209707	DECAL_BRAKE INSTRT ECLIPSE
13	209707-D	DECAL_BRAKE INSTRT ECLIPSE



Motor (drive) installation prepack - C5290149 (was 227017)

Item	Part number	Description
1	100188	HHCS_1/2-13 X 2
2	102193	WSHR_LCK 1/2
3	101106	NUT_HEX 1/2-13
4	102200	HHCS_1/2-13 X 1 1/2
5	102189	WSHR_FLT 1/2 USS

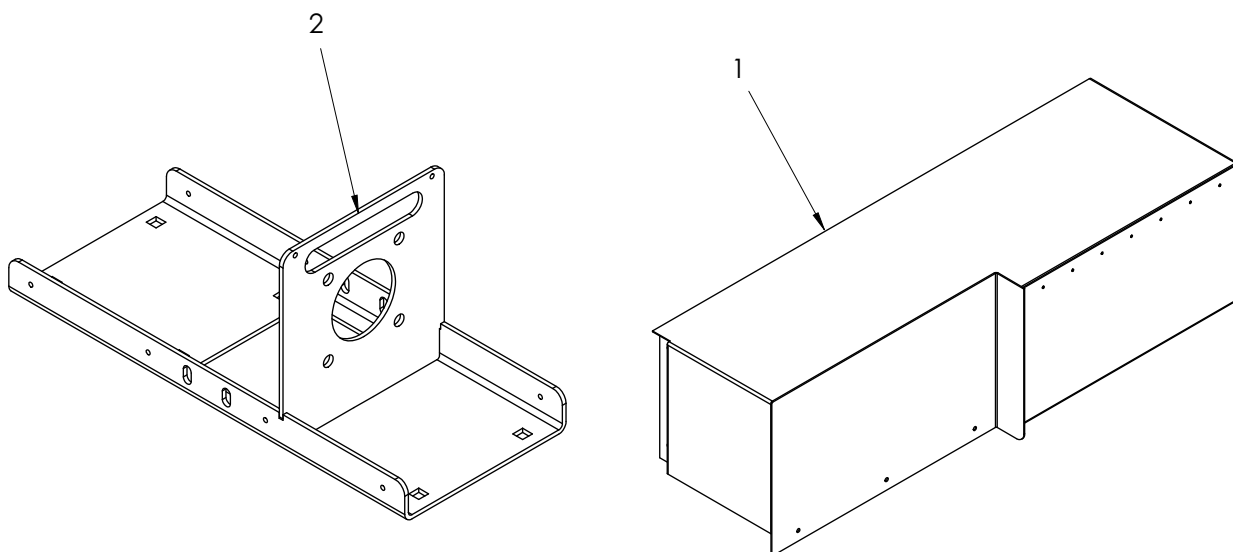


Motor sound-proof assembly and motor mount bracket

Item	Part number	Description
1	326553 326553-L	SOUND-PROOF_ECLIPSE, RH ASSY SOUND-PROOF_ECLIPSE, LH ASSY
2	227778	BRACKET, MOTOR MOUNT

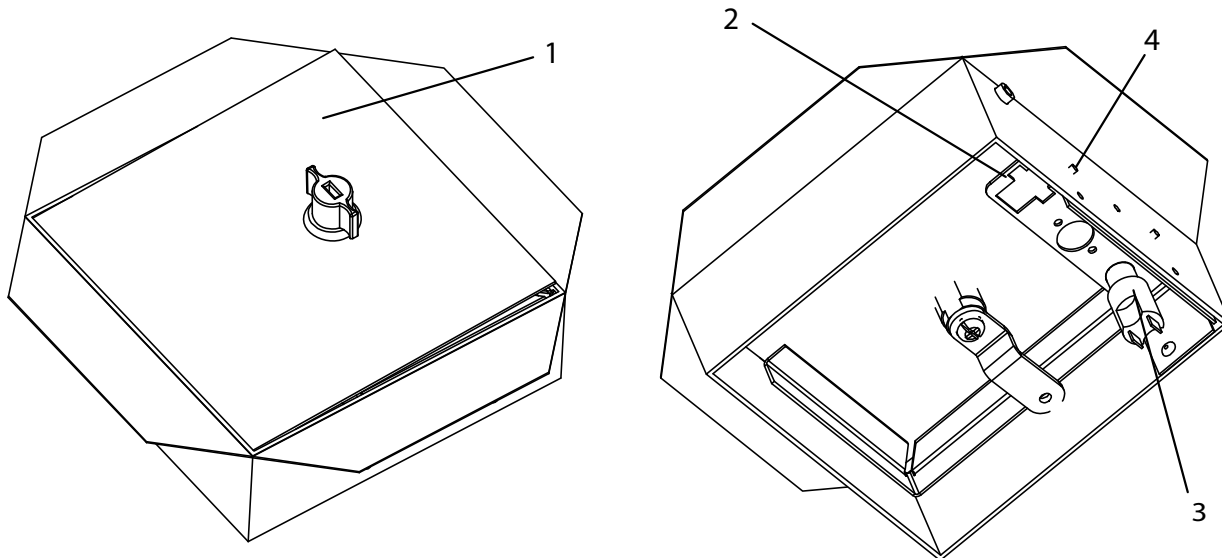
NOTE

In order to install the sound-proof cover on an existing unit, the existing motor mount bracket must be replaced with the bracket above. Note also that disassembly of the existing motor is required and is labour intensive.



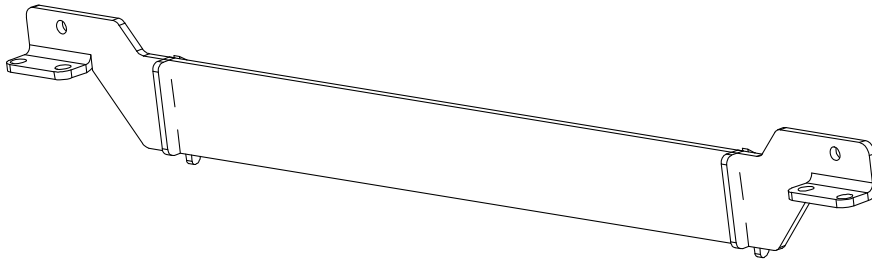
Motor access door assembly - 227285-EMI/227285-EMI-12

Item	Part number	Description
1	227233 227233-12	DR_KEYED ACCESS EM L WRNG 6X6 DR_KEYED ACCESS EM L WRNG 12X12
2	227283-EMI	BRKT_DR KEYED ACCESS EMI
3	100262	SW_LMT 84111-K11 SEAT LOCK SFTY
4	101027	RVT_POP 1/8 X .0625 STL SB42
-	220668-50	HRNS_ACCESS DOOR ECLIPSE 50 FT
-	220668-100	HRNS_ACCESS DOOR ECLIPSE 100 FT



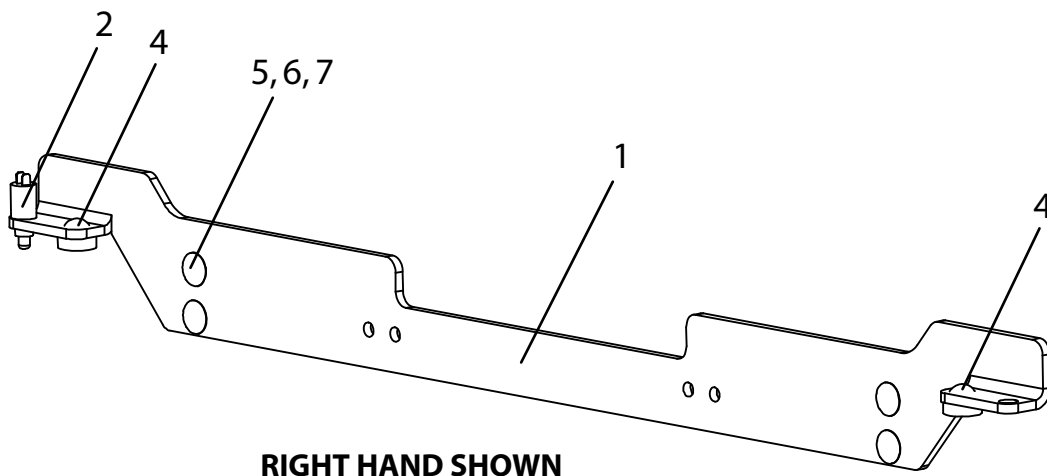
Shoring brackets

Bottom shoring bracket - 227565



Top shoring bracket, (over-travel stop) - 227244/227244-L

Item	Part number	Description
1	227243	STOP_RAIL SLING MRL
2	102182	SW_LMT 8900-KS89
4	105839	BUMPER_RBR BLK 1" X 5/16"
5	100074	CB_3/8-16 X 3/4" ZNC
6	102191	WSHR_LOCK 3/8
7	102186	NUT_HEX 3/8-16



Controller assembly

Controller box assemblies (for controller 772401, SCTAL8)

Part number	Description
326990	CONTROLLER_EMI-6 GEARED, SCTAL8
326990-CTIS	CONTROLLER_EMI-6 GEARED CTIS, SCTAL8
326990-F60	CONTROLLER_EMI-6 GEARED 60FPM, SCTAL8
326990-P60	CONTROLLER_EMI-6 GEARED 60HZ 50FPM, SCTAL8
326990-P60-CTIS	CONTROLLER_EMI-6 GEARED 60HZ 50FPM CTIS, SCTAL8
326990-P50	CONTROLLER_EMI-6 GEARED 50 HZ 50FPM, SCTAL8
326990-P50-CTIS	CONTROLLER_EMI-6 GEARED 50 HZ 50FPM CTIS, SCTAL8
326990-50	CONTROLLER_EMI-6 GEARED 50HZ 40FPM, SCTAL8
326990-50-CTIS	CONTROLLER_EMI-6 GEARED 50HZ 40FPM CTIS, SCTAL8
326990-AUS	CONTROLLER_EMI-6 GEARED AUS 50FPM, SCTAL8
326990-CHN	CONTROLLER_EMI-6 GEARED CHINA, SCTAL8
326991-US	CONTROLLER_EMI-6 GEARLESS, SCTAL8
326995	CONTROLLER_EMI-6 GEARED FLORIDA, SCTAL8

Controller box assemblies (for controller 772390, SCTAL6)

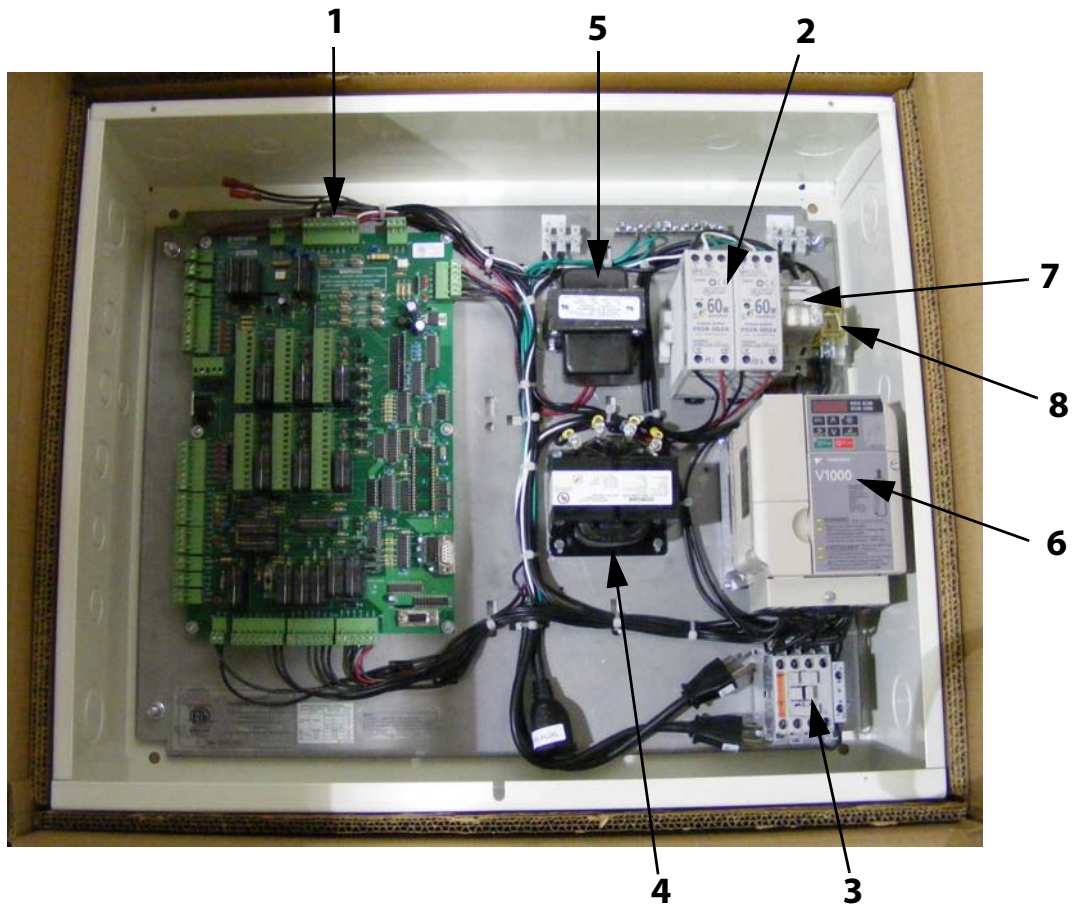
Part number	Description
227990	CONTROLLER_EMI-6 GEARED
227990-CTIS	CONTROLLER_EMI-6 GEARED CTIS
227990-F60	CONTROLLER_EMI-6 GEARED 60FPM
227990-P60	CONTROLLER_EMI-6 GEARED 60HZ 50FPM
227990-P60-CTIS	CONTROLLER_EMI-6 GEARED 60HZ 50FPM CTIS
227990-P50	CONTROLLER_EMI-6 GEARED 50 HZ 50FPM
227990-P50-CTIS	CONTROLLER_EMI-6 GEARED 50 HZ 50FPM CTIS
227990-50	CONTROLLER_EMI-6 GEARED 50HZ 40FPM
227990-50-CTIS	CONTROLLER_EMI-6 GEARED 50HZ 40FPM CTIS
227990-AUS	CONTROLLER_EMI-6 GEARED AUS 50FPM
227990-CHN	CONTROLLER_EMI-6 GEARED CHINA

Controller box mounting

Part number	Description
227131	CROSS_SUPPORT BRKT TOP
227021	CROSS_SUPPORT BRKT BOTTOM

Controller box assembly

Item	Part number	Description
1	772401 772401-I 772390 106737	PCB, CONTROLLER 6-STOP 60 HZ, SCTL8 PCB, CONTROLLER 6-SSTOP 50 HZ, SCTL8 PCB, CONTROLLER 6-STOP 60 HZ, SCTL6 PCB, CONTROLLER 6-SSTOP 50 HZ, SCTL6
2	106612	POWER SUPPLY, 24V OUTPUT
3	642027 642028	MAIN CONTACTOR 60 HZ MAIN CONTACTOR 50 HZ
4	646061	MAIN TRANSFORMER, EMERGENCY POWER
5	646060 646020	TRANSFORMER, LIGHTING 60 HZ TRANSFORMER, LIGHTING 50 HZ
6	105651-6S-60	DRIVE, YASKAWA 60 HZ
7	641225	NP RELAY
8	641226	RST RELAY
-	106596	UPS_EMI 120V/120V

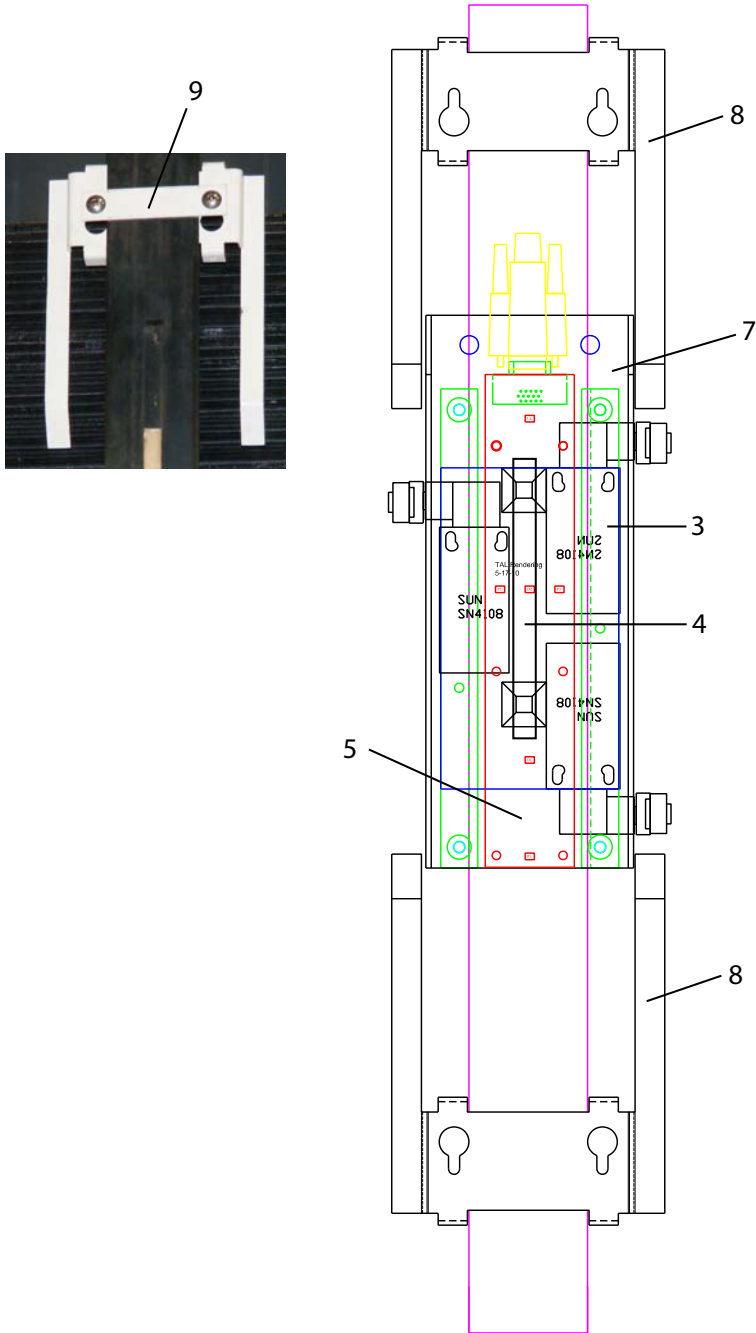


Selector (tape reader) assembly - 227955-CHN

Item	Part number	Description
1	227987	HEAD_SELECTOR
2	227988	CABLE_SELECTOR
3	105548	SWITCH_LIMIT
4	227975	MAGNET_SET
5	772391-C	PCB_SELECTOR
6	227978-CHNA	FRAME_SELECTOR
7	227978-CHNB	BRACKET_MOUNTING LIMIT SWITCH
8	227960	CAM_LIMIT SWITCH
9	227961-CHN	CLAMP_CAM MOUNTING
10	777132	TAPE KIT, 20'
	777133	TAPE KIT, 30'
	777134	TAPE KIT, 40'
	777135	TAPE KIT, 50'
	777163	TAPE KIT, 60'
	777167	TAPE KIT, 70'
-	227954	HS SELECTOR ASSEMBLY (LONG)
-	227923	TEMPLATE_MAGNET
-	227923-HS	TEMPLATE_MAGNET HIGH SPEED

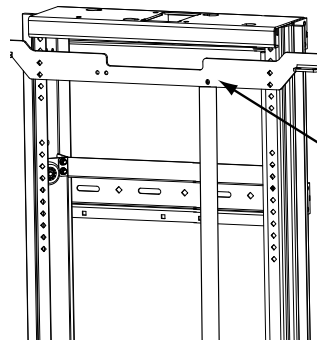
Tape mounting parts

Part number	Description
227956	TAPE_ROD WELDMENT
227957	CLAMP_MNTG TAPE ROD
227958	TAPE_MNTG TUBE
227930	BRKT_SPRING
227934	BRKT_MNTG TAPE RDR
227944	BRKT_MNTG TAPE RDR 80-84" CAB

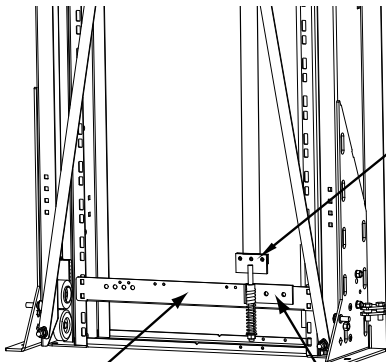


Tape installation prepack - C5290140 (was 227977)

Item	Part number	Description
1	101106	NUT_HEX 1/2-13
2	102189	WSHR_FLT 1/2 USS
3	102197	HCCS_3/8-16 X 1
4	102191	WSHR_LCK 3/8
5	227959	SPRING DIA 0.975 X 4 CLOSED
96	101832	PIN_COTTER 1/8-1
7	102186	NUT_HEX 3/8-16
8	100074	CB_3/8-16 X 3/4" ZNC
9	105283	NUT_FLANGE 3/8-16
10	102188	WSHR_FLT 3/8



Attach top of tape here. Use H/W from kit C5290149 (was 227977) - (1 x 102197, 102191 & 102186).



Attach bottom of tape to tape tensioner assembly (227956 - rod, 227958 - tube, and 227957 - clamp). Use H/W from kit C5290140 (was 227977) - (2 x 102197, 102191 & 102186).

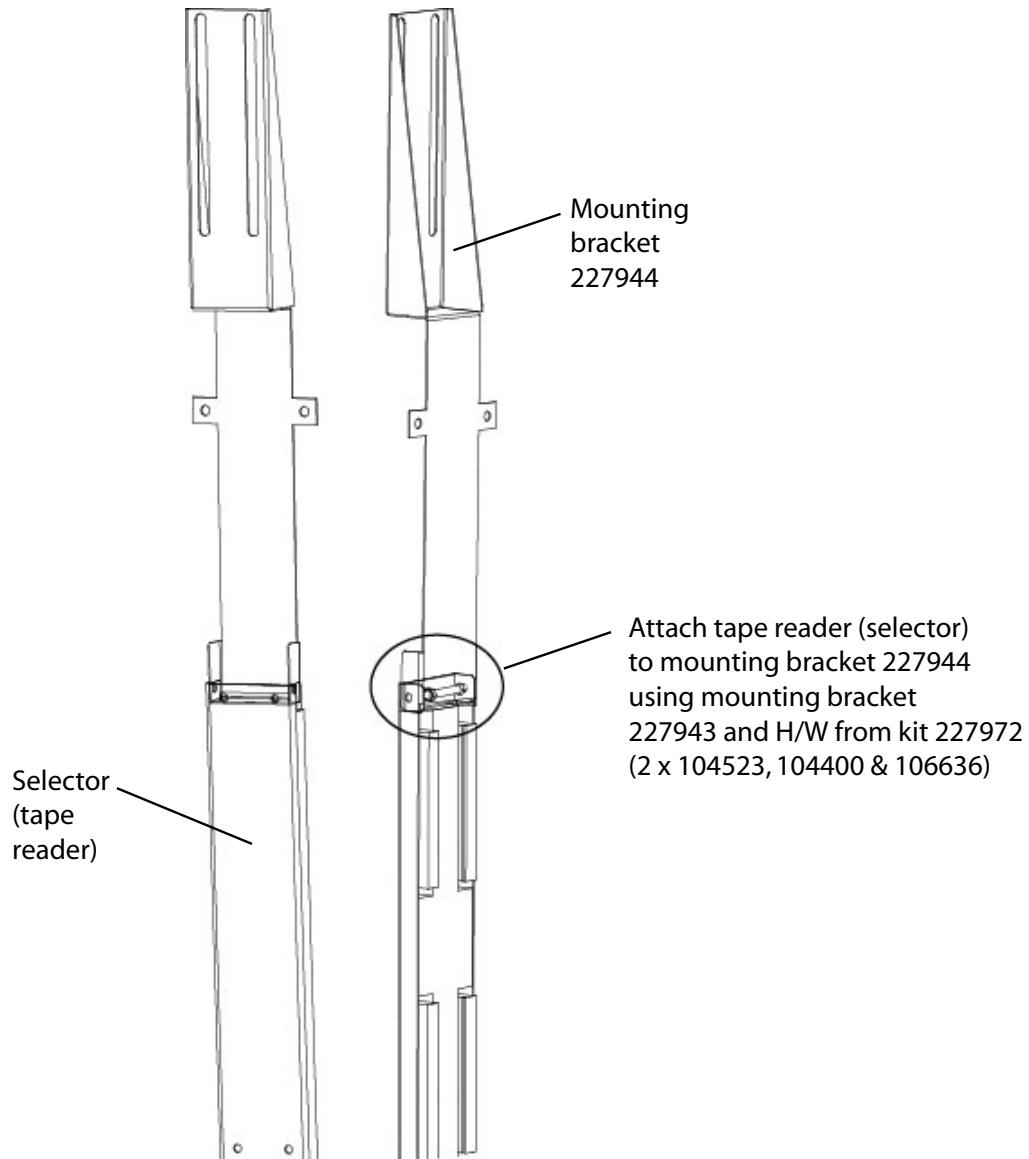
Attach tape tensioner bracket 227934 to rails.

Use H/W from kit C5290140 (was 227977) - (4 x 100074 & 105283).

Spring bracket 227930

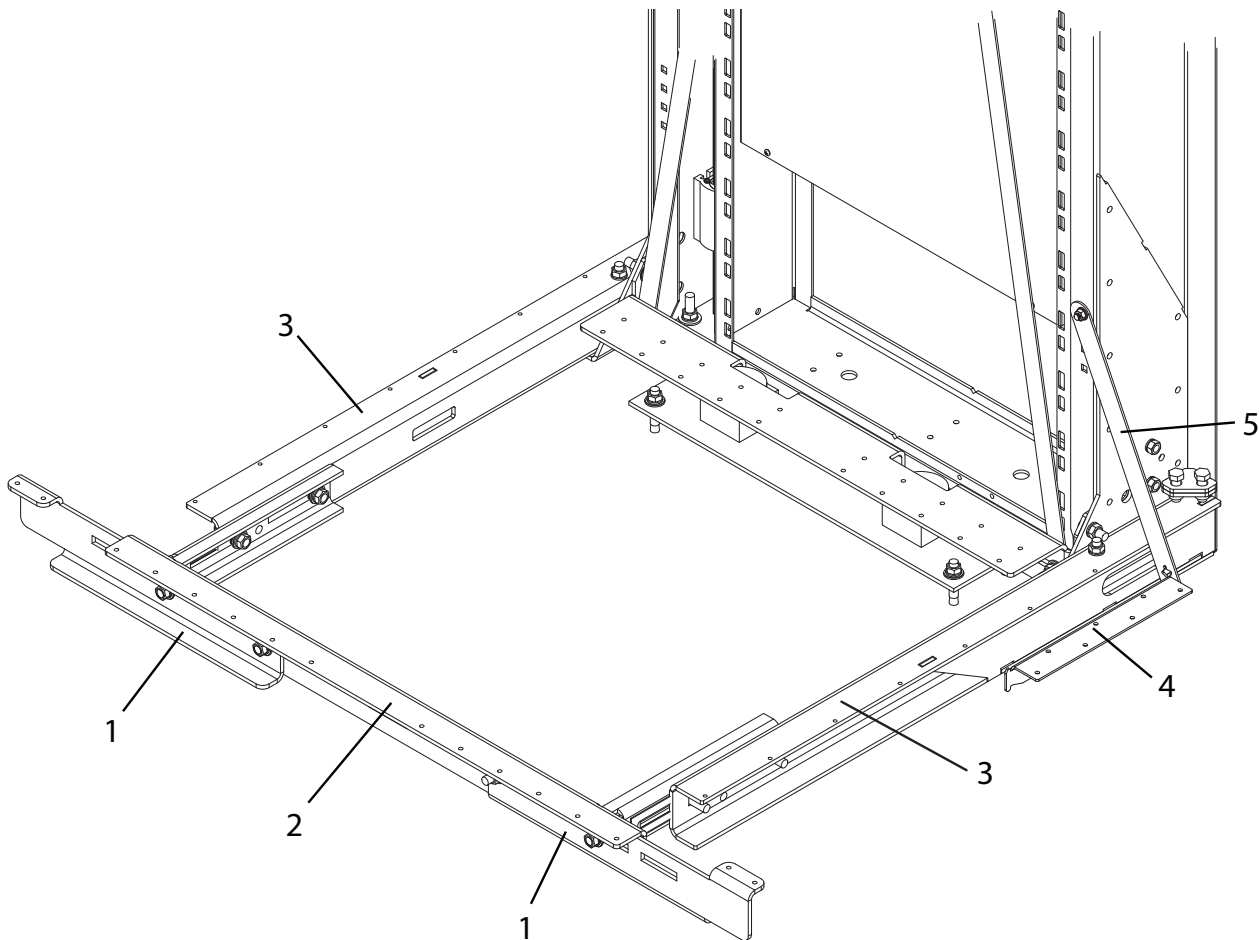
Selector (tape reader) installation prepack - 227972

Item	Part number	Description
1	104523	MS_FH#10-24 X .625 PLPS S/S
2	104400	NUT_HEX 10-24 NYLOK S/S
3	106636	PIN_BLOCKER 5/16" X 5"



Sling assembly

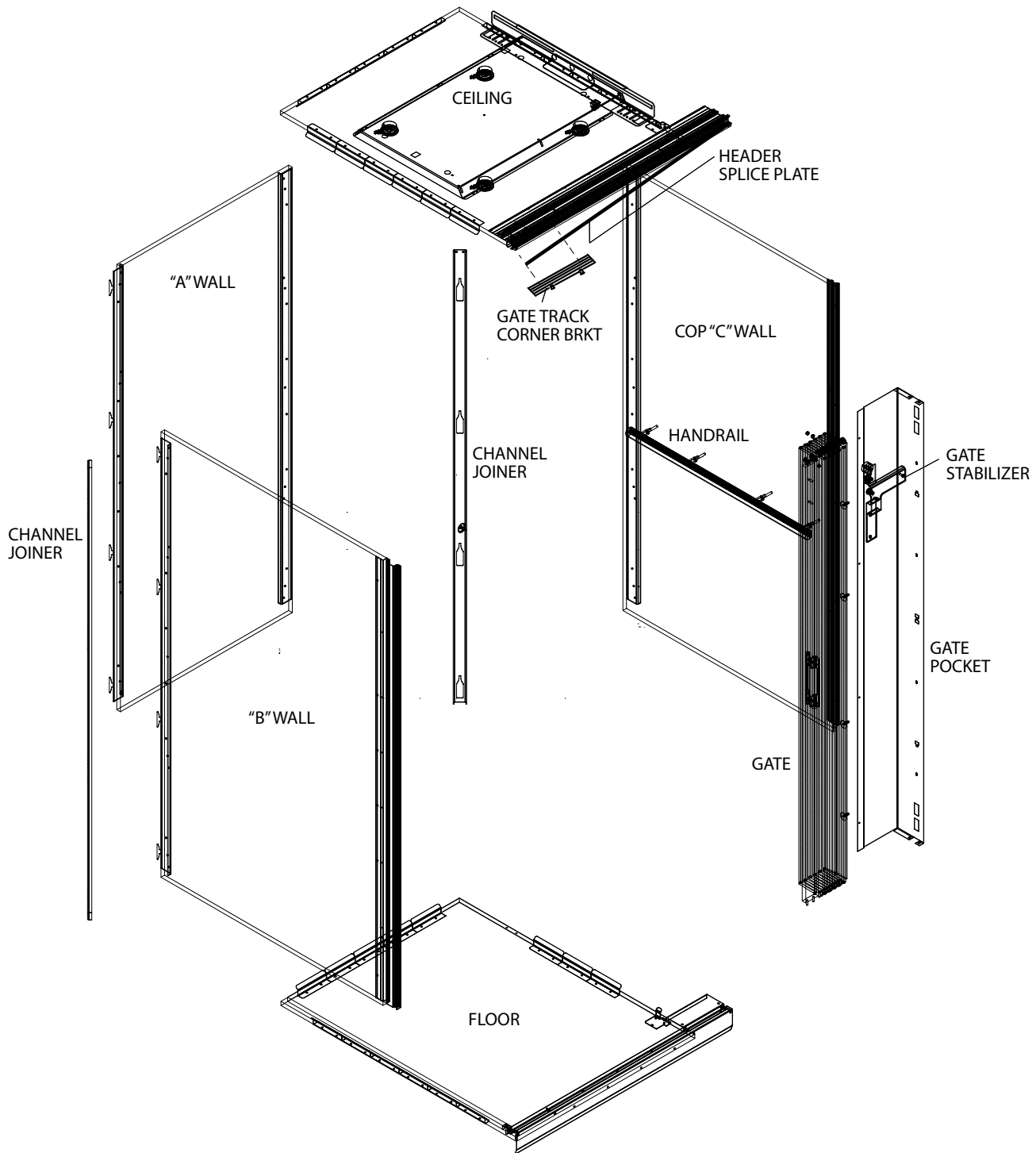
Item	Part number	Description
1	226628	BRKT_SPRT EXTRA CAB FLR
2	227810	SLING_ADJUSTABLE INSIDE
3	227141-R 227571-R 227574-R 227577-R 227141-L 227571-L 227574-L 227577-L	CHNL_SLING RH (CAB WIDTH 33.75" TO 44.75") CHNL_SLING RH (CAB WIDTH 22.75" TO 33.75") CHNL_SLING RH (CAB WIDTH 44.75" TO 55.75") CHNL_SLING RH (55.75" AND LARGER) CHNL_SLING LH (CAB WIDTH 33.75" TO 44.75") CHNL_SLING LH (CAB WIDTH 22.75" TO 33.75") CHNL_SLING LH (CAB WIDTH 44.75" TO 55.75") CHNL_SLING LH (55.75" AND LARGER)
4	226608	BRKT_FLR SPRT
5	226607	STRAP_CNTLVR FLR SPRT



Sling installation prepack - C5290150 (was 227013)

Item	Part number	Description
1	101052	CB_1/2-13 X 1 1/2 GR5
2	102193	WSHR_LCK 1/2
3	101106	NUT_HEX 1/2-13
4	102189	WSHR_FLT 1/2 USS
5	102200	HHCS_1/2-13 X 1 1/2 GR5 WHT ZNC
6	106379	CB_1/2 X 4.75 UNC GR5 WHT ZNC
-	227808	SHIM_SLING 1/16"
-	227808-T	SHIM_SLING 1/8"

Cab assemblies



Type 1L - 36" wide cab (side entrance A)

Item	Part number	Description
SILL	226691	SILL_STD 36" OPNG
TOP GATE TRACK	226681-C/B	TRACK_HDR 36" CAB SD A LH
GATE POCKET	226661 227870 226662	POCKET_GT 36" X 80" CAB POCKET_GT 36" X 84" CAB POCKET_GT 36" X 96" CAB
POCKET PIVOT	226601-C/B 227879 226626-C/B	PIVOT_POCKET 80" (CLEAR/BRNZ) PIVOT_POCKET 84" PIVOT_POCKET 96" (CLEAR/BRNZ)
SLAM POST	226600-C/B 227880 226625-C/B	POST_SLAM EXTRSN 80" (CLEAR/BRNZ) POST_SLAM EXTRSN 84" POST_SLAM EXTRSN 96" (CLEAR/BRNZ)
GATE	CUSTOM	
WALLS	CUSTOM	
FLOOR	SEE CAB FLOOR ASSEMBLIES IN THIS MANUAL	
CEILING	SEE CAB CEILING ASSEMBLIES IN THIS MANUAL	
CHANNEL JOINER	226049 226048	CHANNEL_JOINER CAB WALL CHANNEL_JOINER CAB WALL 96"

Type 1R - 36" wide cab (side entrance C)

Item	Part number	Description
SILL	226694	SILL_STD 36" CAB A/C ENTRANCE
TOP GATE TRACK	226682-C/B	TRACK_HDR 36" CAB SD C RH
GATE POCKET	226661 227870 226662	POCKET_GT 36" X 80" CAB POCKET_GT 36" X 84" CAB POCKET_GT 36" X 96" CAB
POCKET PIVOT	226601-C/B 227879 226626-C/B	PIVOT_POCKET 80" (CLEAR/BRNZ) PIVOT_POCKET 84" PIVOT_POCKET 96" (CLEAR/BRNZ)
SLAM POST	226600-C/B 227880 226625-C/B	POST_SLAM EXTRSN 80" (CLEAR/BRNZ) POST_SLAM EXTRSN 84" POST_SLAM EXTRSN 96" (CLEAR/BRNZ)
GATE	CUSTOM	
WALLS	CUSTOM	
FLOOR	SEE CAB FLOOR ASSEMBLIES IN THIS MANUAL	
CEILING	SEE CAB CEILING ASSEMBLIES IN THIS MANUAL	
CHANNEL JOINER	226049 226048	CHANNEL_JOINER CAB WALL CHANNEL_JOINER CAB WALL 96"

Type 1L - 40" wide cab (side entrance A)

Item	Part number	Description
SILL	226691	SILL_STD 36" OPNG
TOP GATE TRACK	226683-C/B	TRACK_HDR 40" CAB SD A LH
GATE POCKET	226663 227871 226664	POCKET_GT 40" X 80" CAB POCKET_GT 40" X 84" CAB POCKET_GT 40" X 96" CAB
POCKET PIVOT	226601-C/B 227879 226626-C/B	PIVOT_POCKET 80" (CLEAR/BRNZ) PIVOT_POCKET 84" PIVOT_POCKET 96" (CLEAR/BRNZ)
SLAM POST	226600-C/B 227880 226625-C/B	POST_SLAM EXTRSN 80" (CLEAR/BRNZ) POST_SLAM EXTRSN 84" POST_SLAM EXTRSN 96" (CLEAR/BRNZ)
GATE	CUSTOM	
WALLS	CUSTOM	
FLOOR	SEE CAB FLOOR ASSEMBLIES IN THIS MANUAL	
CEILING	SEE CAB CEILING ASSEMBLIES IN THIS MANUAL	
CHANNEL JOINER	226049 226048	CHANNEL_JOINER CAB WALL CHANNEL_JOINER CAB WALL 96"

Type 1R - 40" wide cab (side entrance C)

Item	Part number	Description
SILL	226695	SILL_STD 40" CAB A/C ENTRANCE
TOP GATE TRACK	226684-C/B	TRACK_HDR 40" CAB SD C RH
GATE POCKET	226663 227871 226664	POCKET_GT 40" X 80" CAB POCKET_GT 40" X 84" CAB POCKET_GT 40" X 96" CAB
POCKET PIVOT	226601-C/B 227879 226626-C/B	PIVOT_POCKET 80" (CLEAR/BRNZ) PIVOT_POCKET 84" PIVOT_POCKET 96" (CLEAR/BRNZ)
SLAM POST	226600-C/B 227880 226625-C/B	POST_SLAM EXTRSN 80" (CLEAR/BRNZ) POST_SLAM EXTRSN 84" POST_SLAM EXTRSN 96" (CLEAR/BRNZ)
GATE	CUSTOM	
WALLS	CUSTOM	
FLOOR	SEE CAB FLOOR ASSEMBLIES IN THIS MANUAL	
CEILING	SEE CAB CEILING ASSEMBLIES IN THIS MANUAL	
CHANNEL JOINER	226049 226048	CHANNEL_JOINER CAB WALL CHANNEL_JOINER CAB WALL 96"

Type 2 - 36" wide cab (side entrance A)

Item	Part number	Description
SILL	226691	SILL_STD 36" OPNG
TOP GATE TRACK	226681-C/B	TRACK_HDR 36" CAB SD A LH
GATE POCKET (X2)	226661 227870 226662	POCKET_GT 36" X 80" CAB POCKET_GT 36" X 84" CAB POCKET_GT 36" X 96" CAB
POCKET PIVOT	226601-C/B 227879 226626-C/B	PIVOT_POCKET 80" (CLEAR/BRNZ) PIVOT_POCKET 84" PIVOT_POCKET 96" (CLEAR/BRNZ)
SLAM POST	226600-C/B 227880 226625-C/B	POST_SLAM EXTRSN 80" (CLEAR/BRNZ) POST_SLAM EXTRSN 84" POST_SLAM EXTRSN 96" (CLEAR/BRNZ)
GATE	CUSTOM	
WALLS	CUSTOM	
FLOOR	SEE CAB FLOOR ASSEMBLIES IN THIS MANUAL	
CEILING	SEE CAB CEILING ASSEMBLIES IN THIS MANUAL	
CHANNEL JOINER	226049 226048	CHANNEL_JOINER CAB WALL CHANNEL_JOINER CAB WALL 96"

Type 2 - 36" wide cab (side entrance C)

Item	Part number	Description
SILL	226694	SILL_STD 36" CAB A/C ENTRANCE
TOP GATE TRACK	226682-C/B	TRACK_HDR 36" CAB SD C RH
GATE POCKET (X2)	226661 227870 226662	POCKET_GT 36" X 80" CAB POCKET_GT 36" X 84" CAB POCKET_GT 36" X 96" CAB
POCKET PIVOT	226601-C/B 227879 226626-C/B	PIVOT_POCKET 80" (CLEAR/BRNZ) PIVOT_POCKET 84" PIVOT_POCKET 96" (CLEAR/BRNZ)
SLAM POST	226600-C/B 227880 226625-C/B	POST_SLAM EXTRSN 80" (CLEAR/BRNZ) POST_SLAM EXTRSN 84" POST_SLAM EXTRSN 96" (CLEAR/BRNZ)
GATE	CUSTOM	
WALLS	CUSTOM	
FLOOR	SEE CAB FLOOR ASSEMBLIES IN THIS MANUAL	
CEILING	SEE CAB CEILING ASSEMBLIES IN THIS MANUAL	
CHANNEL JOINER	226049 226048	CHANNEL_JOINER CAB WALL CHANNEL_JOINER CAB WALL 96"

Type 2 - 40" wide cab (side entrance A)

Item	Part number	Description
SILL	226691	SILL_STD 36" OPNG
TOP GATE TRACK	226683-C/B	TRACK_HDR 40" CAB SD A LH
GATE POCKET (X2)	226663 227871 226664	POCKET_GT 40" X 80" CAB POCKET_GT 40" X 84" CAB POCKET_GT 40" X 96" CAB
POCKET PIVOT	226601-C/B 227879 226626-C/B	PIVOT_POCKET 80" (CLEAR/BRNZ) PIVOT_POCKET 84" PIVOT_POCKET 96" (CLEAR/BRNZ)
SLAM POST	226600-C/B 227880 226625-C/B	POST_SLAM EXTRSN 80" (CLEAR/BRNZ) POST_SLAM EXTRSN 84" POST_SLAM EXTRSN 96" (CLEAR/BRNZ)
GATE	CUSTOM	
WALLS	CUSTOM	
FLOOR	CUSTOM - SEE CAB FLOOR ASSEMBLIES IN THIS MANUAL	
CEILING	CUSTOM - SEE CAB CEILING ASSEMBLIES IN THIS MANUAL	
CHANNEL JOINER	226049 226048	CHANNEL_JOINER CAB WALL CHANNEL_JOINER CAB WALL 96"

Type 2 - 40" wide cab (side entrance C)

Item	Part number	Description
SILL	226695	SILL_STD 40" CAB A/C ENTRANCE
TOP GATE TRACK	226684-C/B	TRACK_HDR 40" CAB SD C RH
GATE POCKET (X2)	226663 227871 226664	POCKET_GT 40" X 80" CAB POCKET_GT 40" X 84" CAB POCKET_GT 40" X 96" CAB
POCKET PIVOT	226601-C/B 227879 226626-C/B	PIVOT_POCKET 80" (CLEAR/BRNZ) PIVOT_POCKET 84" PIVOT_POCKET 96" (CLEAR/BRNZ)
SLAM POST	226600-C/B 227880 226625-C/B	POST_SLAM EXTRSN 80" (CLEAR/BRNZ) POST_SLAM EXTRSN 84" POST_SLAM EXTRSN 96" (CLEAR/BRNZ)
GATE	CUSTOM	
WALLS	CUSTOM	
FLOOR	CUSTOM - SEE CAB FLOOR ASSEMBLIES IN THIS MANUAL	
CEILING	CUSTOM - SEE CAB CEILING ASSEMBLIES IN THIS MANUAL	
CHANNEL JOINER	226049 226048	CHANNEL_JOINER CAB WALL CHANNEL_JOINER CAB WALL 96"

Type 3 - 36" wide cab (side entrance C)

Item	Part number	Description
SILL	226692 226694	SILL_STD 36" OPNG T3-T4 SILL_STD 36" CAB A/C ENTRANCE
TOP GATE TRACK	226688-C/B	TRACK_HDR 36" CAB T3 SD C RH
GATE POCKET	226661 227870 226662	POCKET_GT 36" X 80" CAB POCKET_GT 36" X 84" CAB POCKET_GT 36" X 96" CAB
POCKET PIVOT	226601-C/B 227879 226626-C/B	PIVOT_POCKET 80" (CLEAR/BRNZ) PIVOT_POCKET 84" PIVOT_POCKET 96" (CLEAR/BRNZ)
SLAM POST	226600-C/B 227880 226625-C/B	POST_SLAM EXTRSN 80" (CLEAR/BRNZ) POST_SLAM EXTRSN 84" POST_SLAM EXTRSN 96" (CLEAR/BRNZ)
GATE	CUSTOM	
WALLS	CUSTOM	
FLOOR	CUSTOM - SEE CAB FLOOR ASSEMBLIES IN THIS MANUAL	
CEILING	CUSTOM - SEE CAB CEILING ASSEMBLIES IN THIS MANUAL	
CHANNEL JOINER	226049 226048	CHANNEL_JOINER CAB WALL CHANNEL_JOINER CAB WALL 96"

Type 3 - 36" wide cab (side entrance B RH)

Item	Part number	Description
SILL	226691	SILL_STD 36" OPNG
TOP GATE TRACK	226686-C/B	TRACK_HDR SD B RH
GATE POCKET	226665 227872 226666	POCKET_GT B SIDE 80" CAB POCKET_GT B SIDE 84" CAB POCKET_GT B SIDE 96" CAB
POCKET PIVOT	226601-C/B 227879 226626-C/B	PIVOT_POCKET 80" (CLEAR/BRNZ) PIVOT_POCKET 84" PIVOT_POCKET 96" (CLEAR/BRNZ)
SLAM POST	226600-C/B 227880 226625-C/B	POST_SLAM EXTRSN 80" (CLEAR/BRNZ) POST_SLAM EXTRSN 84" POST_SLAM EXTRSN 96" (CLEAR/BRNZ)
GATE	CUSTOM	
WALLS	CUSTOM	
FLOOR	CUSTOM - SEE CAB FLOOR ASSEMBLIES IN THIS MANUAL	
CEILING	CUSTOM - SEE CAB CEILING ASSEMBLIES IN THIS MANUAL	
CHANNEL JOINER	226049 226048	CHANNEL_JOINER CAB WALL CHANNEL_JOINER CAB WALL 96"

Type 4 - 36" wide cab (side entrance A)

Item	Part number	Description
SILL	226692 226694	SILL_STD 36" OPNG T3-T4 SILL_STD 36" CAB A/C ENTRANCE
TOP GATE TRACK	226687-C/B	TRACK_HDR 36" CAB T4 SD A LH
GATE POCKET	226661 227870 226662	POCKET_GT 36" X 80" CAB POCKET_GT 36" X 84" CAB POCKET_GT 36" X 96" CAB
POCKET PIVOT	226601-C/B 227879 226626-C/B	PIVOT_POCKET 80" (CLEAR/BRNZ) PIVOT_POCKET 84" PIVOT_POCKET 96" (CLEAR/BRNZ)
SLAM POST	226600-C/B 227880 226625-C/B	POST_SLAM EXTRSN 80" (CLEAR/BRNZ) POST_SLAM EXTRSN 84" POST_SLAM EXTRSN 96" (CLEAR/BRNZ)
GATE	CUSTOM	
WALLS	CUSTOM	
FLOOR	CUSTOM - SEE CAB FLOOR ASSEMBLIES IN THIS MANUAL	
CEILING	CUSTOM - SEE CAB CEILING ASSEMBLIES IN THIS MANUAL	
CHANNEL JOINER	226049 226048	CHANNEL_JOINER CAB WALL CHANNEL_JOINER CAB WALL 96"

Type 4 - 36" wide cab (side entrance B LH)

Item	Part number	Description
SILL	226691	SILL_STD 36" OPNG
TOP GATE TRACK	226685-C/B	TRACK_HDR SD B LH
GATE POCKET	226665 227872 226666	POCKET_GT B SIDE 80" CAB POCKET_GT B SIDE 84" CAB POCKET_GT B SIDE 96" CAB
POCKET PIVOT	226601-C/B 227879 226626-C/B	PIVOT_POCKET 80" (CLEAR/BRNZ) PIVOT_POCKET 84" PIVOT_POCKET 96" (CLEAR/BRNZ)
SLAM POST	226600-C/B 227880 226625-C/B	POST_SLAM EXTRSN 80" (CLEAR/BRNZ) POST_SLAM EXTRSN 84" POST_SLAM EXTRSN 96" (CLEAR/BRNZ)
GATE	CUSTOM	
WALLS	CUSTOM	
FLOOR	CUSTOM - SEE CAB FLOOR ASSEMBLIES IN THIS MANUAL	
CEILING	CUSTOM - SEE CAB CEILING ASSEMBLIES IN THIS MANUAL	
CHANNEL JOINER	226049 226048	CHANNEL_JOINER CAB WALL CHANNEL_JOINER CAB WALL 96"

Type 3 - 40" wide cab (side entrance C)

Item	Part number	Description
SILL	226691 226698	SILL_STD 36" OPNG SILL_STD 40" CAB T3-4 A/C ENTRANCE
TOP GATE TRACK	226690-C/B	TRACK_HDR 40" CAB T3 SD C RH
GATE POCKET	226663 226669 227871 227873 226664 226670	POCKET_GT 40" X 80" CAB POCKET_GT 40" X 80" CAB T3-4 POCKET_GT 40" X 84" CAB POCKET_GT 40" X 84" CAB T3-4 POCKET_GT 40" X 96" CAB POCKET_GT 40" X 96" CAB T3-4
POCKET PIVOT	226601-C/B 227879 226626-C/B	PIVOT_POCKET 80" (CLEAR/BRNZ) PIVOT_POCKET 84" PIVOT_POCKET 96" (CLEAR/BRNZ)
SLAM POST	226600-C/B 227880 226625-C/B	POST_SLAM EXTRSN 80" (CLEAR/BRNZ) POST_SLAM EXTRSN 84" POST_SLAM EXTRSN 96" (CLEAR/BRNZ)
GATE	CUSTOM	
WALLS	CUSTOM	
FLOOR	CUSTOM - SEE CAB FLOOR ASSEMBLIES IN THIS MANUAL	
CEILING	CUSTOM - SEE CAB CEILING ASSEMBLIES IN THIS MANUAL	
CHANNEL JOINER	226049 226048	CHANNEL_JOINER CAB WALL CHANNEL_JOINER CAB WALL 96"

Type 3 - 40" wide cab (side entrance B RH)

Item	Part number	Description
SILL	226691	SILL_STD 36" OPNG
TOP GATE TRACK	226686-C/B	TRACK_HDR SD B RH
GATE POCKET	226665 227872 226666	POCKET_GT B SIDE 80" CAB POCKET_GT B SIDE 84" CAB POCKET_GT B SIDE 96" CAB
POCKET PIVOT	226601-C/B 227879 226626-C/B	PIVOT_POCKET 80" (CLEAR/BRNZ) PIVOT_POCKET 84" PIVOT_POCKET 96" (CLEAR/BRNZ)
SLAM POST	226600-C/B 227880 226625-C/B	POST_SLAM EXTRSN 80" (CLEAR/BRNZ) POST_SLAM EXTRSN 84" POST_SLAM EXTRSN 96" (CLEAR/BRNZ)
GATE	CUSTOM	
WALLS	CUSTOM	
FLOOR	CUSTOM - SEE CAB FLOOR ASSEMBLIES IN THIS MANUAL	
CEILING	CUSTOM - SEE CAB CEILING ASSEMBLIES IN THIS MANUAL	
CHANNEL JOINER	226049 226048	CHANNEL_JOINER CAB WALL CHANNEL_JOINER CAB WALL 96"

Type 4 - 40" wide cab (side entrance A)

Item	Part number	Description
SILL	226691 226698	SILL_STD 36" OPNG SILL_STD 40" CAB T3-4 A/C ENTRANCE
TOP GATE TRACK	226689-C/B	TRACK_HDR 40" CAB T3 SD A LH
GATE POCKET	226663 226669 227871 227873 226664 226670	POCKET_GT 40" X 80" CAB POCKET_GT 40" X 80" CAB T3-4 POCKET_GT 40" X 84" CAB POCKET_GT 40" X 84" CAB T3-4 POCKET_GT 40" X 96" CAB POCKET_GT 40" X 96" CAB T3-4
POCKET PIVOT	226601-C/B 227879 226626-C/B	PIVOT_POCKET 80" (CLEAR/BRNZ) PIVOT_POCKET 84" PIVOT_POCKET 96" (CLEAR/BRNZ)
SLAM POST	226600-C/B 227880 226625-C/B	POST_SLAM EXTRSN 80" (CLEAR/BRNZ) POST_SLAM EXTRSN 84" POST_SLAM EXTRSN 96" (CLEAR/BRNZ)
GATE	CUSTOM	
WALLS	CUSTOM	
FLOOR	CUSTOM - SEE CAB FLOOR ASSEMBLIES IN THIS MANUAL	
CEILING	CUSTOM - SEE CAB CEILING ASSEMBLIES IN THIS MANUAL	
CHANNEL JOINER	226049 226048	CHANNEL_JOINER CAB WALL CHANNEL_JOINER CAB WALL 96"

Type 4 - 40" wide cab (side entrance B RH)

Item	Part number	Description
SILL	226691	SILL_STD 36" OPNG
TOP GATE TRACK	226686-C/B	TRACK_HDR SD B RH
GATE POCKET	226665 227872 226666	POCKET_GT B SIDE 80" CAB POCKET_GT B SIDE 84" CAB POCKET_GT B SIDE 96" CAB
POCKET PIVOT	226601-C/B 227879 226626-C/B	PIVOT_POCKET 80" (CLEAR/BRNZ) PIVOT_POCKET 84" PIVOT_POCKET 96" (CLEAR/BRNZ)
SLAM POST	226600-C/B 227880 226625-C/B	POST_SLAM EXTRSN 80" (CLEAR/BRNZ) POST_SLAM EXTRSN 84" POST_SLAM EXTRSN 96" (CLEAR/BRNZ)
GATE	CUSTOM	
WALLS	CUSTOM	
FLOOR	CUSTOM - SEE CAB FLOOR ASSEMBLIES IN THIS MANUAL	
CEILING	CUSTOM - SEE CAB CEILING ASSEMBLIES IN THIS MANUAL	
CHANNEL JOINER	226049 226048	CHANNEL_JOINER CAB WALL CHANNEL_JOINER CAB WALL 96"

Type 5_M1 LH (B nib +slam)

Item	Part number	Description
SILL	226691	SILL_STD 36" OPNG
TOP GATE TRACK	226685-C/B	TRACK_HDR SD B LH
GATE POCKET	226665 227872 226666	POCKET_GT B SIDE 80" CAB POCKET_GT B SIDE 84" CAB POCKET_GT B SIDE 96" CAB
POCKET PIVOT	226601-C/B 227879 226626-C/B	PIVOT_POCKET 80" (CLEAR/BRNZ) PIVOT_POCKET 84" PIVOT_POCKET 96" (CLEAR/BRNZ)
SLAM POST	226137 226138 227874 227875 226139 226140	POST_SLAM EXTRSN 80" BRNZ POST_SLAM EXTRSN 80" CLEAR POST_SLAM EXTRSN 84" BRNZ POST_SLAM EXTRSN 84" CLEAR POST_SLAM EXTRSN 96" BRNZ POST_SLAM EXTRSN 96" CLEAR
GATE	CUSTOM	
WALLS	CUSTOM	
FLOOR	CUSTOM - SEE CAB FLOOR ASSEMBLIES IN THIS MANUAL	
CEILING	CUSTOM - SEE CAB CEILING ASSEMBLIES IN THIS MANUAL	
CHANNEL JOINER	226049 226048	CHANNEL_JOINER CAB WALL CHANNEL_JOINER CAB WALL 96"

Type 5_M2 RH (B nib + slam)

Item	Part number	Description
SILL	226691	SILL_STD 36" OPNG
TOP GATE TRACK	226686-C/B	TRACK_HDR SD B RH
GATE POCKET	226665 227872 226666	POCKET_GT B SIDE 80" CAB POCKET_GT B SIDE 84" CAB POCKET_GT B SIDE 96" CAB
POCKET PIVOT	226601-C/B 227879 226626-C/B	PIVOT_POCKET 80" (CLEAR/BRNZ) PIVOT_POCKET 84" PIVOT_POCKET 96" (CLEAR/BRNZ)
SLAM POST	226137 226138 227874 227875 226139 226140	POST_SLAM EXTRSN 80" BRNZ POST_SLAM EXTRSN 80" CLEAR POST_SLAM EXTRSN 84" BRNZ POST_SLAM EXTRSN 84" CLEAR POST_SLAM EXTRSN 96" BRNZ POST_SLAM EXTRSN 96" CLEAR
GATE	CUSTOM	
WALLS	CUSTOM	
FLOOR	CUSTOM - SEE CAB FLOOR ASSEMBLIES IN THIS MANUAL	
CEILING	CUSTOM - SEE CAB CEILING ASSEMBLIES IN THIS MANUAL	
CHANNEL JOINER	226049 226048	CHANNEL_JOINER CAB WALL CHANNEL_JOINER CAB WALL 96"

Type 5_M3 LH (B 2 nib walls)

Item	Part number	Description
SILL	226691	SILL_STD 36" OPNG
TOP GATE TRACK	226685-C/B	TRACK_HDR SD B LH
GATE POCKET (X2)	226665 227872 226666	POCKET_GT B SIDE 80" CAB POCKET_GT B SIDE 84" CAB POCKET_GT B SIDE 96" CAB
POCKET PIVOT	226601-C/B 227879 226626-C/B	PIVOT_POCKET 80" (CLEAR/BRNZ) PIVOT_POCKET 84" PIVOT_POCKET 96" (CLEAR/BRNZ)
SLAM POST	226137 226138 227874 227875 226139 226140	POST_SLAM EXTRSN 80" BRNZ POST_SLAM EXTRSN 80" CLEAR POST_SLAM EXTRSN 84" BRNZ POST_SLAM EXTRSN 84" CLEAR POST_SLAM EXTRSN 96" BRNZ POST_SLAM EXTRSN 96" CLEAR
GATE	CUSTOM	
WALLS	CUSTOM	
FLOOR	CUSTOM - SEE CAB FLOOR ASSEMBLIES IN THIS MANUAL	
CEILING	CUSTOM - SEE CAB CEILING ASSEMBLIES IN THIS MANUAL	
CHANNEL JOINER	226049 226048	CHANNEL_JOINER CAB WALL CHANNEL_JOINER CAB WALL 96"

Type 5_M4 RH (B 2 nib walls)

Item	Part number	Description
SILL	226691	SILL_STD 36" CAB OPNG
TOP GATE TRACK	226686-C/B	TRACK_HDR SD B RH
GATE POCKET (X2)	226665 227872 226666	POCKET_GT B SIDE 80" CAB POCKET_GT B SIDE 84" CAB POCKET_GT B SIDE 96" CAB
POCKET PIVOT	226601-C/B 227879 226626-C/B	PIVOT_POCKET 80" (CLEAR/BRNZ) PIVOT_POCKET 84" PIVOT_POCKET 96" (CLEAR/BRNZ)
SLAM POST	226137 226138 227874 227875 226139 226140	POST_SLAM EXTRSN 80" BRNZ POST_SLAM EXTRSN 80" CLEAR POST_SLAM EXTRSN 84" BRNZ POST_SLAM EXTRSN 84" CLEAR POST_SLAM EXTRSN 96" BRNZ POST_SLAM EXTRSN 96" CLEAR
GATE	CUSTOM	
WALLS	CUSTOM	
FLOOR	CUSTOM - SEE CAB FLOOR ASSEMBLIES IN THIS MANUAL	
CEILING	CUSTOM - SEE CAB CEILING ASSEMBLIES IN THIS MANUAL	
CHANNEL JOINER	226049 226048	CHANNEL_JOINER CAB WALL CHANNEL_JOINER CAB WALL 96"

Type 5_M5 LH (B pocket)

Item	Part number	Description
SILL	CUSTOM	
TOP GATE TRACK	CUSTOM	
GATE POCKET	226667 227876 226668	POCKET_GT 80" T5 CAB POCKET_GT 84" T5 CAB POCKET_GT 96" T5 CAB
POCKET PIVOT	226601-C/B 227879 226626-C/B	PIVOT_POCKET 80" (CLEAR/BRNZ) PIVOT_POCKET 84" PIVOT_POCKET 96" (CLEAR/BRNZ)
SLAM POST	226137 226138 227874 227875 226139 226140	POST_SLAM EXTRSN 80" BRNZ POST_SLAM EXTRSN 80" CLEAR POST_SLAM EXTRSN 84" BRNZ POST_SLAM EXTRSN 84" CLEAR POST_SLAM EXTRSN 96" BRNZ POST_SLAM EXTRSN 96" CLEAR
GATE	CUSTOM	
WALLS	CUSTOM	
FLOOR	CUSTOM - SEE CAB FLOOR ASSEMBLIES IN THIS MANUAL	
CEILING	CUSTOM - SEE CAB CEILING ASSEMBLIES IN THIS MANUAL	
CHANNEL JOINER	226049 226048	CHANNEL_JOINER CAB WALL CHANNEL_JOINER CAB WALL 96"

Type 5_M6 RH (B pocket)

Item	Part number	Description
SILL	CUSTOM	
TOP GATE TRACK	CUSTOM	
GATE POCKET	226667 227876 226668	POCKET_GT 80" T5 CAB POCKET_GT 84" T5 CAB POCKET_GT 96" T5 CAB
POCKET PIVOT	226601-C/B 227879 226626-C/B	PIVOT_POCKET 80" (CLEAR/BRNZ) PIVOT_POCKET 84" PIVOT_POCKET 96" (CLEAR/BRNZ)
SLAM POST	226137 226138 227874 227875 226139 226140	POST_SLAM EXTRSN 80" BRNZ POST_SLAM EXTRSN 80" CLEAR POST_SLAM EXTRSN 84" BRNZ POST_SLAM EXTRSN 84" CLEAR POST_SLAM EXTRSN 96" BRNZ POST_SLAM EXTRSN 96" CLEAR
GATE	CUSTOM	
WALLS	CUSTOM	
FLOOR	CUSTOM - SEE CAB FLOOR ASSEMBLIES IN THIS MANUAL	
CEILING	CUSTOM - SEE CAB CEILING ASSEMBLIES IN THIS MANUAL	
CHANNEL JOINER	226049 226048	CHANNEL_JOINER CAB WALL CHANNEL_JOINER CAB WALL 96"

Type 5_M7 LH (B nib + pocket)

Item	Part number	Description
SILL	226691 226696	SILL_STD 36" OPNG SILL_STD TYP 5-7, 5-8 B ENTRANCE
TOP GATE TRACK	226685-C/B	TRACK_HDR SD B LH
GATE POCKET	226665 226667 227872 227873 226666 226668	POCKET_GT B SIDE 80" CAB POCKET_GT 80" T5 CAB POCKET_GT B SIDE 84" CAB POCKET_GT 84" T5 CAB POCKET_GT B SIDE 96" CAB POCKET_GT 96" T5 CAB
POCKET PIVOT	226601-C/B 227879 226626-C/B	PIVOT_POCKET 80" (CLEAR/BRNZ) PIVOT_POCKET 84" PIVOT_POCKET 96" (CLEAR/BRNZ)
SLAM POST	226137 226138 227874 227875 226139 226140	POST_SLAM EXTRSN 80" BRNZ POST_SLAM EXTRSN 80" CLEAR POST_SLAM EXTRSN 84" BRNZ POST_SLAM EXTRSN 84" CLEAR POST_SLAM EXTRSN 96" BRNZ POST_SLAM EXTRSN 96" CLEAR
GATE	CUSTOM	
WALLS	CUSTOM	
FLOOR	CUSTOM - SEE CAB FLOOR ASSEMBLIES IN THIS MANUAL	
CEILING	CUSTOM - SEE CAB CEILING ASSEMBLIES IN THIS MANUAL	
CHANNEL JOINER	226049 226048	CHANNEL_JOINER CAB WALL CHANNEL_JOINER CAB WALL 96"

Type 5_M8 RH (B nib + pocket)

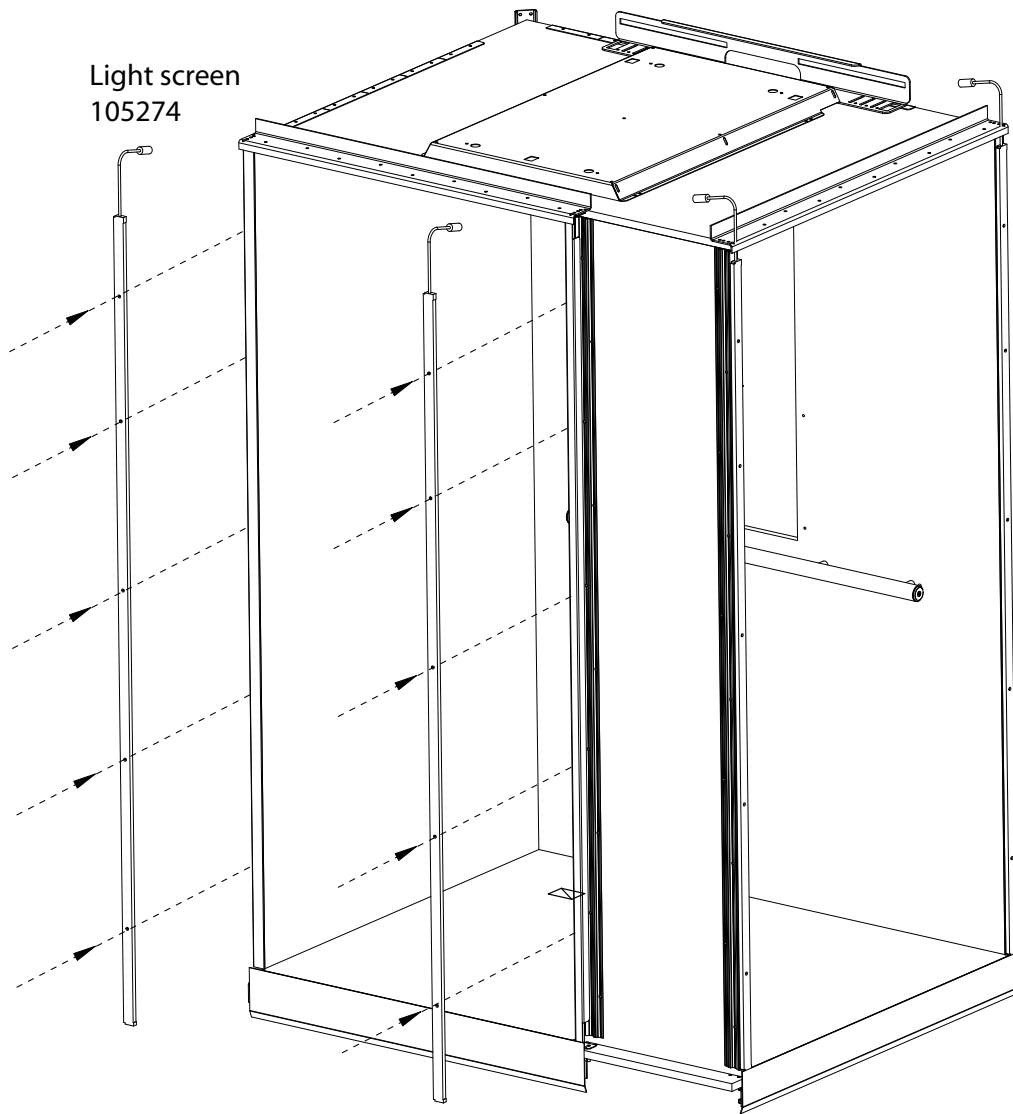
Item	Part number	Description
SILL	226691 226696	SILL_STD 36" OPNG SILL_STD TYP 5-7, 5-8 B ENTRANCE
TOP GATE TRACK	226686-C/B	TRACK_HDR SD B RH
GATE POCKET	226665 226667 227872 227873 226666 226668	POCKET_GT B SIDE 80" CAB POCKET_GT 80" T5 CAB POCKET_GT B SIDE 84" CAB POCKET_GT 84" T5 CAB POCKET_GT B SIDE 96" CAB POCKET_GT 96" T5 CAB
POCKET PIVOT	226601-C/B 227879 226626-C/B	PIVOT_POCKET 80" (CLEAR/BRNZ) PIVOT_POCKET 84" PIVOT_POCKET 96" (CLEAR/BRNZ)
SLAM POST	226137 226138 227874 227875 226139 226140	POST_SLAM EXTRSN 80" BRNZ POST_SLAM EXTRSN 80" CLEAR POST_SLAM EXTRSN 84" BRNZ POST_SLAM EXTRSN 84" CLEAR POST_SLAM EXTRSN 96" BRNZ POST_SLAM EXTRSN 96" CLEAR
GATE	CUSTOM	
WALLS	CUSTOM	
FLOOR	CUSTOM - SEE CAB FLOOR ASSEMBLIES IN THIS MANUAL	
CEILING	CUSTOM - SEE CAB CEILING ASSEMBLIES IN THIS MANUAL	
CHANNEL JOINER	226049 226048	CHANNEL_JOINER CAB WALL CHANNEL_JOINER CAB WALL 96"

36" cab - no gate, light screen

Item	Part number	Description
SILL	226346	TOEGUARD_N/GT
CEILING	226344	CEILING_TRIM N/GT
GATE POCKET	226693 CUSTOM 226699	POCKET_LIGHT SCREEN 80" CUSTOM FOR 84" POCKET_LIGHT SCREEN 96"
POCKET PIVOT	226601-C/B 227879 226626-C/B	PIVOT_POCKET 80" (CLEAR/BRNZ) PIVOT_POCKET 84" PIVOT_POCKET 96" (CLEAR/BRNZ)
LIGHT SCREEN	105274	CURTAIN_LIGHT 2000 MM
WALLS	CUSTOM	
FLOOR	CUSTOM - SEE CAB FLOOR ASSEMBLIES IN THIS MANUAL	
CEILING	CUSTOM - SEE CAB CEILING ASSEMBLIES IN THIS MANUAL	
CHANNEL JOINER	226049 226048	CHANNEL_JOINER CAB WALL CHANNEL_JOINER CAB WALL 96"

40" cab - no gate, light screen

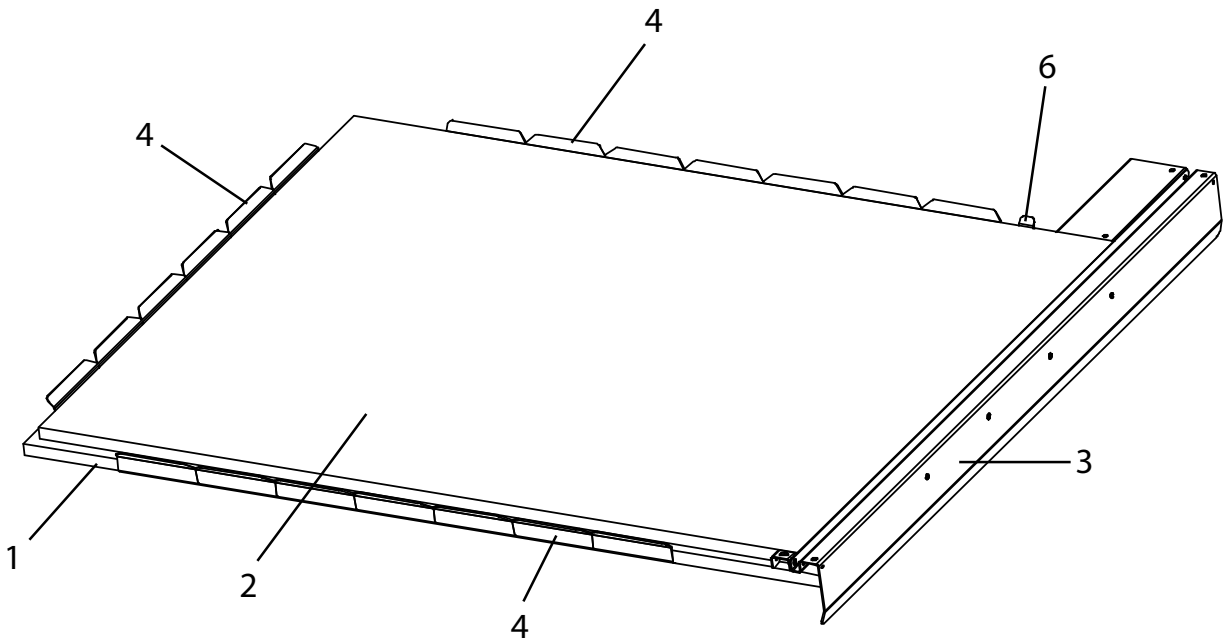
Item	Part number	Description
SILL	226647	TOEGUARD_N/GT W40
CEILING	226648	HDR_CEILING W40 N/GT
GATE POCKET	226693 CUSTOM 226699	POCKET_LIGHT SCREEN 80" CUSTOM FOR 84" POCKET_LIGHT SCREEN 96"
POCKET PIVOT	226601-C/B 227879 226626-C/B	PIVOT_POCKET 80" (CLEAR/BRNZ) PIVOT_POCKET 84" PIVOT_POCKET 96" (CLEAR/BRNZ)
LIGHT SCREEN	105274	CURTAIN_LIGHT 2000 MM
WALLS	CUSTOM	
FLOOR	CUSTOM - SEE CAB FLOOR ASSEMBLIES IN THIS MANUAL	
CEILING	CUSTOM - SEE CAB CEILING ASSEMBLIES IN THIS MANUAL	
CHANNEL JOINER	226049 226048	CHANNEL_JOINER CAB WALL CHANNEL_JOINER CAB WALL 96"



Cab floor assemblies

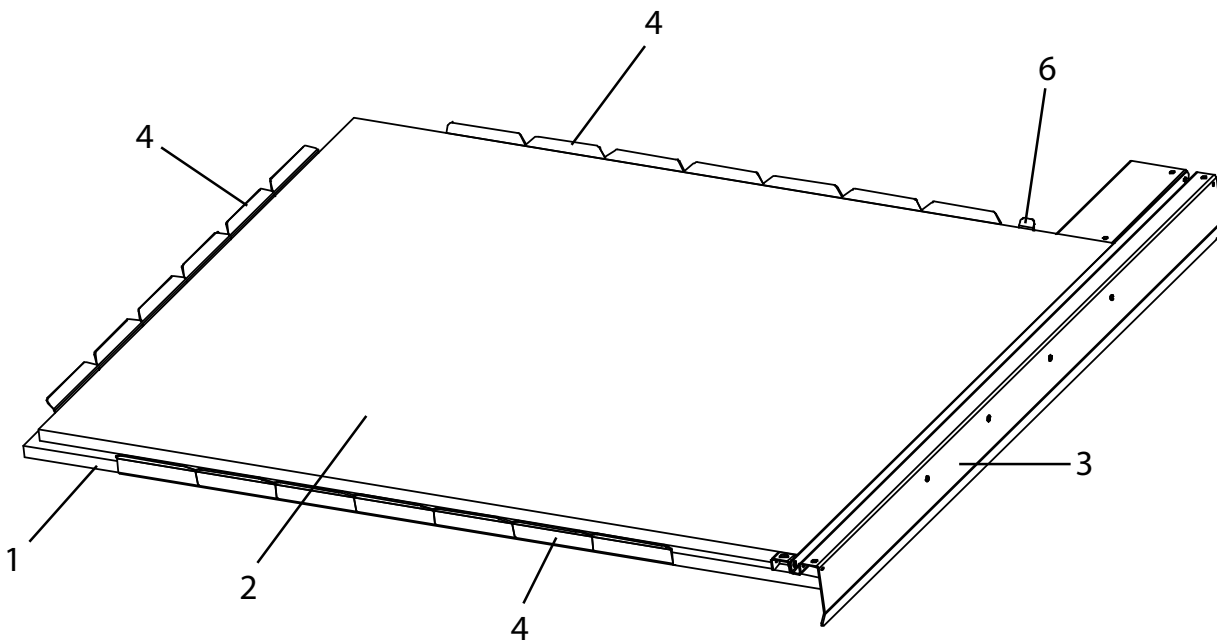
Type 1R/1L floor assembly (36" wide)

Item	Part number	Description
1	CUSTOM	FLR_SUB PLYWD 36W TYP1R/1L
2	CUSTOM	SPCR_FLR 36W TYP1L/1R
3	226604-R/L	SILL_STD ECLIPSE RH/LH ASSY BLK
4	227231	GUIDE_STRIP WALL
5	101180	SCRW_TAP FH #08 X 0.75 PLPS ZNC
6	226296/-L	BRKT_CEILING POCKET RH/LH STACK



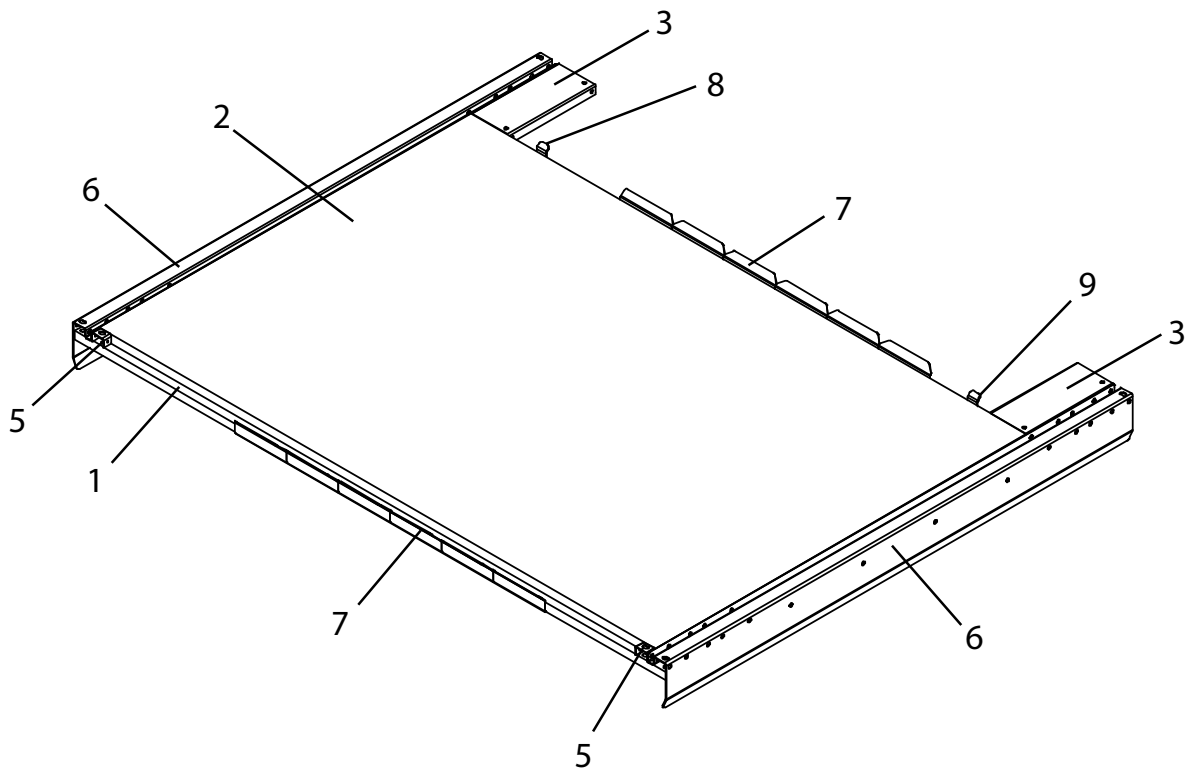
Type 1R/1L floor assembly (40" wide)

Item	Part number	Description
1	CUSTOM	FLR_SUB PLYWD 40W TYP1R/1L
2	CUSTOM	SPCR_FLR 40W TYP1L/1R
3	226695	SILL_STD 40" CAB A/C ENTRANCE
4	227231	GUIDE_STRIP WALL
5	101180	SCRW_TAP FH #08 X 0.75 PLPS ZNC
6	226296/-L	BRKT_CELING POCKET RH/LH STACK



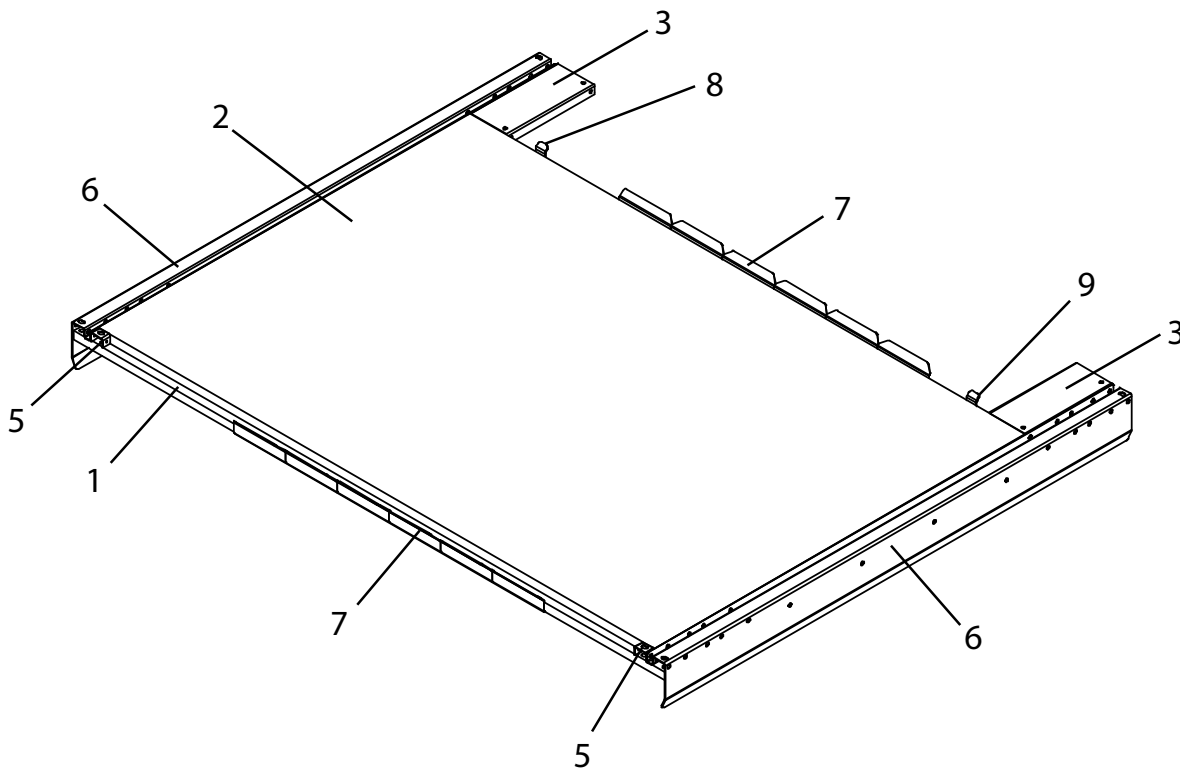
Type 2 floor assembly (36" wide)

Item	Part number	Description
1	CUSTOM	FLR_SUB PLYWD 36W TYP2
2	CUSTOM	SPCR_FLR 36W TYP2
3	226694	SILL_STD 36" CAB A/C ENTRANCE
4	226697	KIT_SILL ASSY
5	226619	BRKT_SILL GAP FILLED S/S
6	226691	SILL_STD 36" OPNG
7	227231	GUIDE_STRIP WALL
8	226296	BRKT_CEILING POCKET RH STACK
9	226296-L	BRKT_CEILING POCKET LH STACK
10	101180	SCRW_TAP FH #08 X 0.75 PLPS ZNC



Type 2 floor assembly (40" wide)

Item	Part number	Description
1	CUSTOM	FLR_SUB PLYWD 40W TYP2
2	CUSTOM	SPCR_FLR 40W TYP2
3	226695	SILL_STD 40" CAB A/C ENTRANCE
4	226697	KIT_SILL ASSY
5	226619	BRKT_SILL GAP FILLED S/S
6	226691	SILL_STD 36" OPNG
7	227231	GUIDE_STRIP WALL
8	226296	BRKT_CEILING POCKET RH STACK
9	226296-L	BRKT_CEILING POCKET LH STACK
10	101180	SCRW_TAP FH #08 X 0.75 PLPS ZNC



Sill assemblies

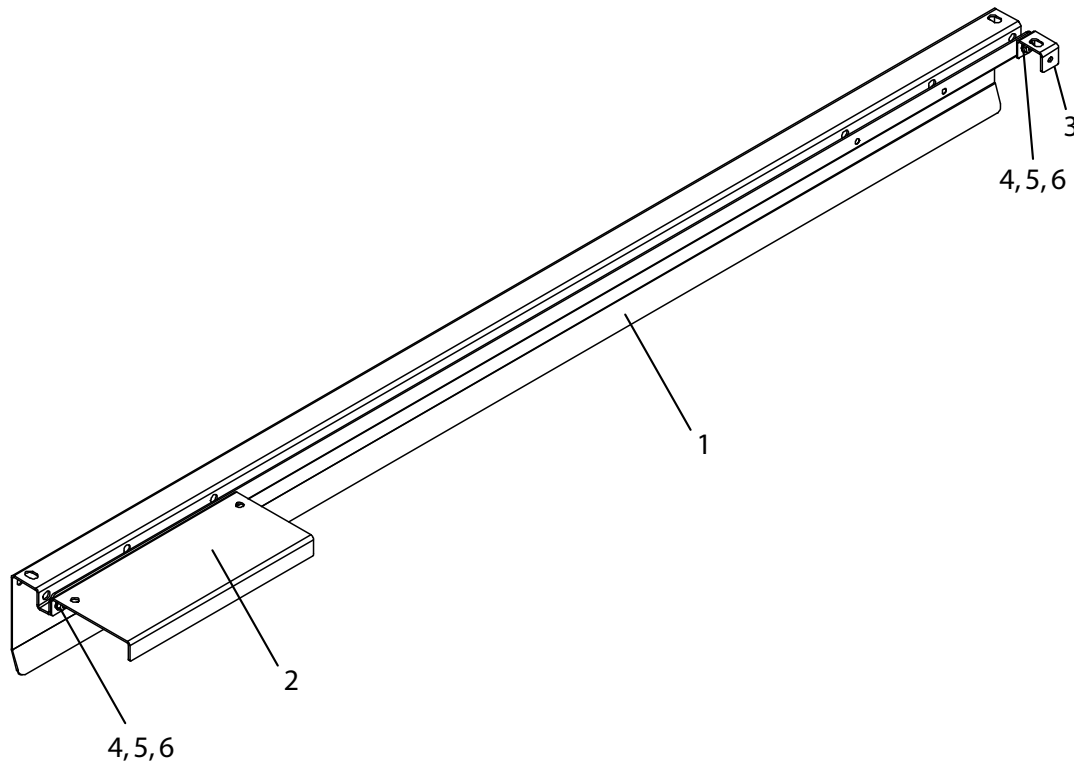
Part number	Description
226611-L	SILL_STD ECLIPSE LH ASSY
226611-R	SILL_STD ECLIPSE RH ASSY
226651-L	SILL_ECLIPSE LH 40 X 54
226651-R	SILL_ECLIPSE RH 40 X 54
226691	SILL_STD 36" OPNG
226692	SILL_STD 36" OPNG T3-T4
226694	SILL_STD 36" CAB A/C ENTRANCE
226695	SILL_STD 40" CAB A/C ENTRANCE
226696	SILL_STD TYPE 5-7, 5-8 B ENTRANCE
226698	SILL_STD 40" CAB T3-4 A/C ENTRANCE
226697	KIT_SILL ASSY

Standard sill assembly - 226611-L/226611-R

Item	Part number	Description
1	226691	SILL_STD 36" OPNG
2	226694	SILL_STD 36" CAB A/C ENTRANCE
3	226619	BRKT_SILL GAP FILLED MRL S/S
4	101827	MS_FHP 8-32 X 3/8
5	101206	WSHR_FLT #8 SAE ZINC
6	101115	NUT_HEX 8-32

Standard sill assembly - 226651-L/226651-R

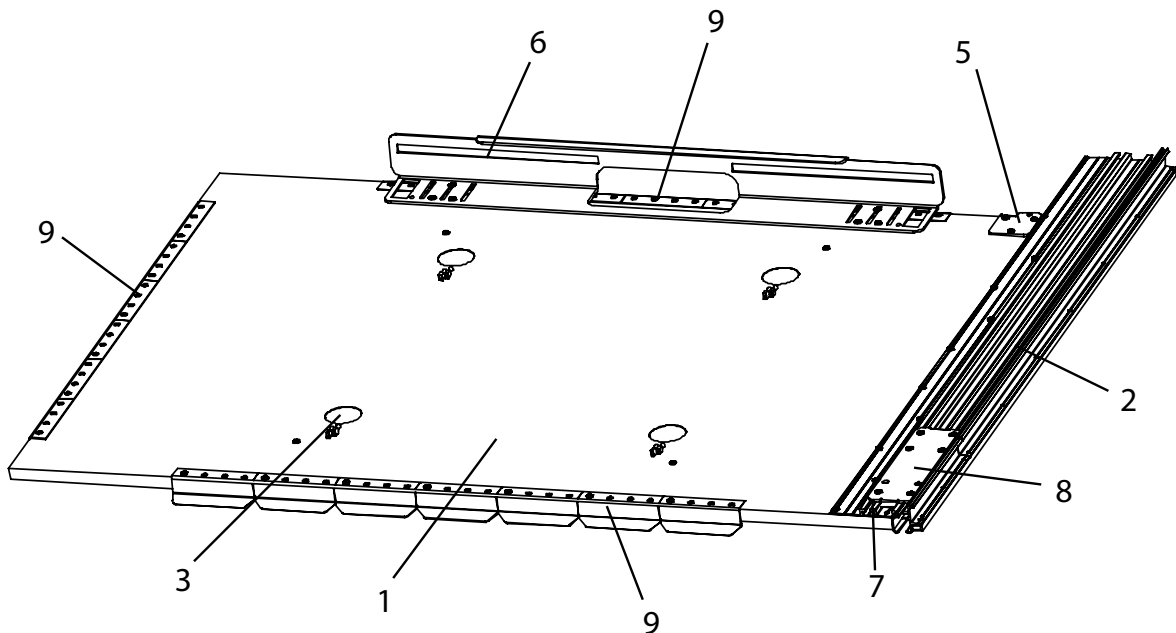
Item	Part number	Description
1	226691	SILL_STD 36" OPNG
2	226695	SILL_STD 40" CAB A/C ENTRANCE
3	226618	BRKT_SILL GAP FILLED MRL BLK
4	101827	MS_FHP 8-32 X 3/8
5	101206	WSHR_FLT #8 SAE ZINC
6	101115	NUT_HEX 8-32



Cab ceiling assemblies

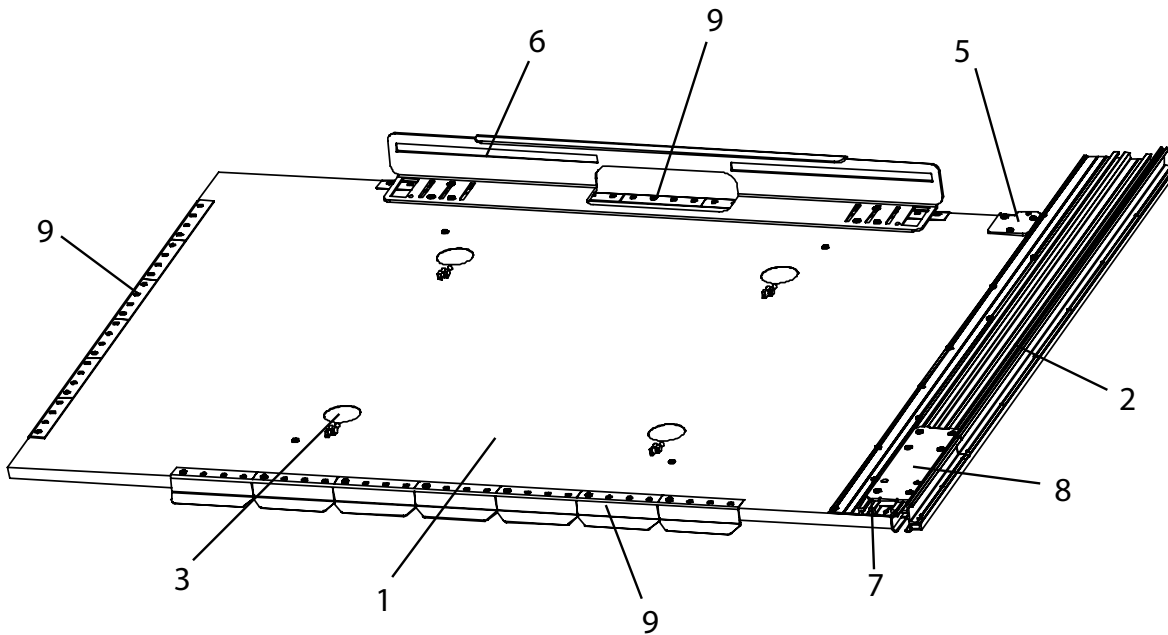
Type 1R/1L ceiling assembly (36" wide)

Item	Part number	Description
1	CUSTOM	CEILING_36W TYP1R/1L
2	226682-X/226681-X	TRACK_HDR 36" CAB SD C (RH/LH)
3	200113-LED	LED_LIGHT PUCK GOLD ASSY
4	226055	CVR_LIGHT CELING
5	226427/-L	BRKT_CEILING POCKET RH/LH STACK
6	226093	BRKT_CEILING CAB
7	226450	PLT_SPLICE HEADER CHNL
8	226449	BRKT_MNTG GAL DOUBLER
9	227231	GUIDE_STRIP WALL
10	102521	MS_FHP 1/4-20 X 1/2
11	105796	SCRW_SM PHP #10 X 5/8



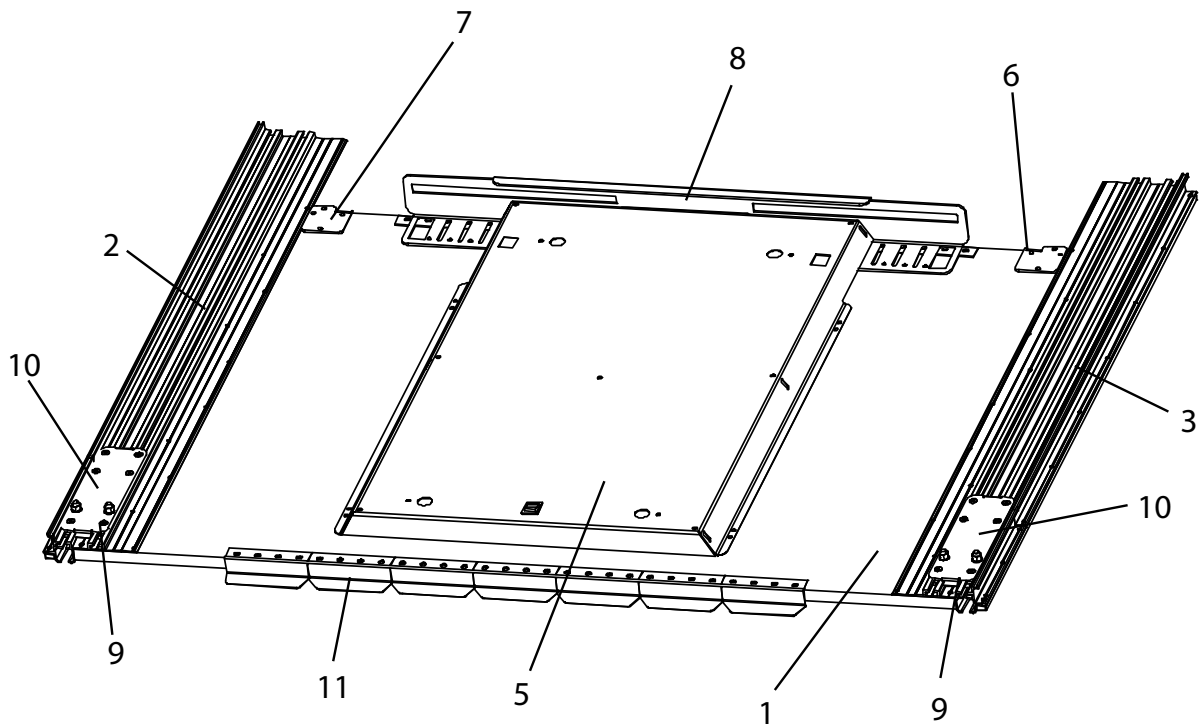
Type 1R/1L ceiling assembly (40" wide)

Item	Part number	Description
1	CUSTOM	CEILING_40W TYP1R/1L
2	226655-X/226654-X	TRACK_HDR 40" CAB SD C (RH/LH)
3	201358-LED	LED_LIGHT PUCK SILVER ASSY
4	226055	CVR_LIGHT CELING
5	226427/-L	BRKT_CEILING POCKET RH/LH STACK
6	226093	BRKT_CEILING CAB
7	226450	PLT_SPLICE HEADER CHNL
8	226449	BRKT_MNTG GAL DOUBLER
9	227231	GUIDE_STRIP WALL
10	102521	MS_FHP 1/4-20 X 1/2
11	105796	SCRW_SM PHP #10 X 5/8



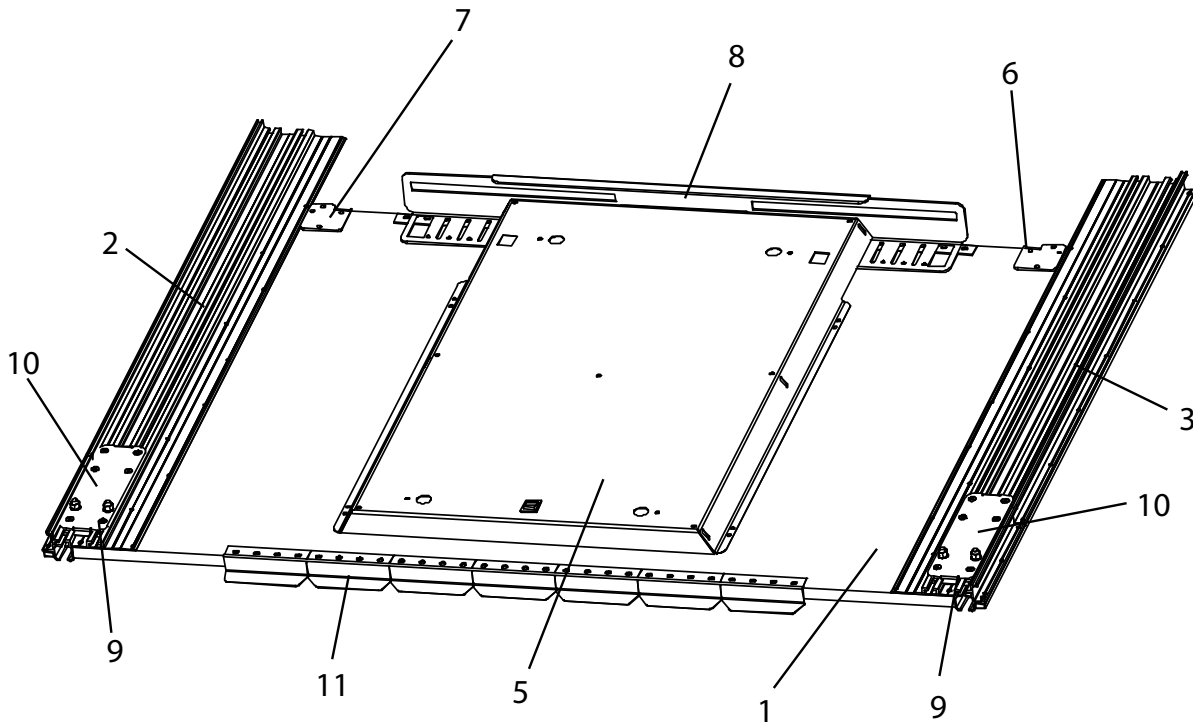
Type 2 ceiling assembly (36" wide)

Item	Part number	Description
1	CUSTOM	CEILING_TOP 36W TYP2
2	226681-X	TRACK_HDR 36" CAB SD C LH
3	226682-X	TRACK_HDR 36" CAB SD C RH
4	201358-LED	LED_LIGHT PUCK SILVER ASSY
5	226055	CVR_LIGHT CELING
6	226427	BRKT_CEILING POCKET RH STACK
7	226427-L	BRKT_CEILING POCKET LH STACK
8	226093	BRKT_CEILING CAB
9	226450	PLT_SPLICE HEADER CHNL
10	226449	BRKT_MNTG GAL DOUBLER
11	227231	GUIDE_STRIP WALL
12	102521	MS_FHP 1/4-20 X 1/2
13	105796	SCRW_SM PHP #10 X 5/8



Type 2 ceiling assembly (40" wide)

Item	Part number	Description
1	CUSTOM	CEILING_TOP 40W TYP2
2	226683-X	TRACK_HDR 40" CAB SD C LH
3	226684-X	TRACK_HDR 40" CAB SD C RH
4	201358-LED	LED_LIGHT PUCK SILVER ASSY
5	226055	CVR_LIGHT CELING
6	226427	BRKT_CEILING POCKET RH STACK
7	226427-L	BRKT_CEILING POCKET LH STACK
8	226093	BRKT_CEILING CAB
9	226450	PLT_SPLICE HEADER CHNL
10	226449	BRKT_MNTG GAL DOUBLER
11	227231	GUIDE_STRIP WALL
12	102521	MS_FHP 1/4-20 X 1/2
13	105796	SCRW_SM PHP #10 X 5/8



Cab gate parts

Part number	Description
226215-B	STBLZR_ASSY SCISSOR GATE LH BRNZ
226215-C	STBLZR_ASSY SCISSOR GATE LH CLEAR
226097-B	STBLZR_ASSY SCISSOR GATE RH BRNZ
226097-C	STBLZR_ASSY SCISSOR GATE RH CLEAR
226290-B	STBLZR_ASSY PGATE LH BRNZ (PORTA OPERATOR)
226290-C	STBLZR_ASSY PGATE LH CLEAR (PORTA OPERATOR)
226291-B	STBLZR_ASSY PGATE RH BRNZ (PORTA OPERATOR)
226291-C	STBLZR_ASSY PGATE RH CLEAR (PORTA OPERATOR)
226290-BA	STBLZR_ASSY GATE LH BRNZ (GATEMATE OPERATOR)
226290-CA	STBLZR_ASSY GATE LH CLEAR (GATEMATE OPERATOR)
226291-BA	STBLZR_ASSY GATE RH BRNZ (GATEMATE OPERATOR)
226291-CA	STBLZR_ASSY GATE RH CLEAR (GATEMATE OPERATOR)
226267	SWITCH_MANUAL GATE RH STACK ASSY
226267-L	SWITCH_MANUAL GATE LH STACK ASSY
227549	KIT_SCISSOR GATE

Handrails

Part number	Description
200799	HANDRAIL_28" C/C 1.5" DIA S/S (T2 48" CAB)
200799-B	HANDRAIL_28" C/C 1.5" DIA BRS (T2 48" CAB)
226191-B	HANDRAIL_28" ASSY BRZ ANODIZED (T2 48" CAB)
226191-C	HANDRAIL_28" ASSY CLR ANODIZED (T2 48" CAB)
200800	HANDRAIL_40" C/C 1.5" DIA S/S (48" CAB)
200800-B	HANDRAIL_40" C/C 1.5" DIA BRS (48" CAB)
226111-B	HANDRAIL_40" ASSY BRZ ANODIZED (48" CAB)
226111-C	HANDRAIL_40" ASSY CLR ANODIZED (48" CAB)
226112-B	HANDRAIL_46" ASSY BRZ ANODIZED (54" CAB)
226112-C	HANDRAIL_46" ASSY CLR ANODIZED (54" CAB)
200801	HANDRAIL_52" C/C 1.5" DIA S/S (60" CAB)
200801-B	HANDRAIL_52" C/C 1.5" DIA BRS (60" CAB)
226076-B	HANDRAIL_52" ASSY BRZ ANODIZED (60" CAB)
226076-C	HANDRAIL_52" ASSY CLR ANODIZED (60" CAB)
326595-B	HANDRAIL_36" ASSY BRZ ANODIZED (CUSTOM CAB)
326595-C	HANDRAIL_36" ASSY CLR ANODIZED (CUSTOM CAB)

Phone cabinets



SAMPLE PHONE CABINET

Part number	Description
226192	CABINET_TELEPHONE ASSY SRE II S/S
226192-C	CABINET_TELEPHONE ASSY ALUM CLEAR
226192-B	CABINET_TELEPHONE ASSY BRONZE SRE II S/S
226192-M	CABINET_TELEPHONE ASSY BRASS SRE II S/S
226638	CABINET_PHONE SMALL SRE II S/S
226638-C	CABINET_PHONE SMALL ALUM CLEAR
226638-B	CABINET_PHONE SMALL BRONZE SRE II S/S
226638-M	CABINET_PHONE SMALL BRASS SRE II S/S

NOTE

226192, 226192-C, 226192-B and 226192-M are wider phone boxes used on older cabs only.

Car top box - 227995-ACC

Item	Part number	Description
1	772392-C	PCB, CAR TOP BOX
2	227986-R	CABLE, CAT-5 10' RED
3	227986-B	CABLE, CAT-5 10' BLUE
4	227986-Y	CABLE, CAT-5 10' YELLOW
5	227980-CHNA	BOX, CAR TOP
6	227980-CHNB	COVER, CAR TOP BOX
7	227980-CHNC	CLAMP, CABLE
8	C1990258	JUMPER, PCB
9	C2190442	ESTOP, SWITCH
10	C1990271	WIRE HARNESS, CAR TOP BOX

Plank switch service kit - 310424

Item	Part number	Description
1	751090	MS_PH #08-32 X 1.50 PLPS
2	101115	NUT_HEX 8-32
3	101206	WSHR_FLAT #8 SAE ZNC
4	101222	WSHR_LOCK #8 ZNC
5	106697	SW_LIFT FR 17A3 PIZZATO
6	227921	BRKT_SW SAFETY ECLIPSE
7	104786	MS_FHP 6-32 X 1/14 S/S
8	101113	NUT_HEX 6-32
9	101220	WSHR_LCK #6

Car operating panels (COPs)



SAMPLE COP

Part number	Description
326122-S	PLT_COP 2 STP S/S NEW PI 6 STOP
326122-A	PLT_COP 2 STP BRS NEW PI 6 STOP
326122-B	PLT_COP 2 STP BRNZ NEW PI 6 STOP
326122-C	PLT_COP 2 STP CLR NEW PI 6 STOP
326123-S	PLT_COP 3 STP S/S NEW PI 6 STOP
326123-A	PLT_COP 3 STP BRS NEW PI 6 STOP
326123-B	PLT_COP 3 STP BRNZ NEW PI 6 STOP
326123-C	PLT_COP 3 STP CLR NEW PI 6 STOP
326124-S	PLT_COP 4 STP S/S NEW PI 6 STOP
326124-A	PLT_COP 4 STP BRS NEW PI 6 STOP
326124-B	PLT_COP 4 STP BRNZ NEW PI 6 STOP
326124-C	PLT_COP 4 STP CLR NEW PI 6 STOP
326125-S	PLT_COP 5 STP S/S NEW PI 6 STOP
326125-A	PLT_COP 5 STP BRS NEW PI 6 STOP
326125-B	PLT_COP 5 STP BRNZ NEW PI 6 STOP
326125-C	PLT_COP 5 STP CLR NEW PI 6 STOP
326126-S	PLT_COP 6 STP S/S NEW PI 6 STOP

Part number	Description
326126-A	PLT_COP 6 STP BRS NEW PI 6 STOP
326126-B	PLT_COP 6 STP BRNZ NEW PI 6 STOP
326126-C	PLT_COP 6 STP CLR NEW PI 6 STOP
326122-T-S	PLT_COP 2 STP W/PHN S/S NEW PI 6 STOP
326122-T-A	PLT_COP 2 STP W/PHN BRS NEW PI 6 STOP
326122-T-B	PLT_COP 2 STP W/PHN BRNZ NEW PI 6 STOP
326122-T-C	PLT_COP 2 STP W/PHN CLR NEW PI 6 STOP
326123-T-S	PLT_COP 3 STP W/PHN S/S NEW PI 6 STOP
326123-T-A	PLT_COP 3 STP W/PHN BRS NEW PI 6 STOP
326123-T-B	PLT_COP 3 STP W/PHN BRNZ NEW PI 6 STOP
326123-T-C	PLT_COP 3 STP W/PHN CLR NEW PI 6 STOP
326124-T-S	PLT_COP 4 STP W/PHN S/S NEW PI 6 STOP
326124-T-A	PLT_COP 4 STP W/PHN BRS NEW PI 6 STOP
326124-T-B	PLT_COP 4 STP W/PHN BRNZ NEW PI 6 STOP
326124-T-C	PLT_COP 4 STP W/PHN CLR NEW PI 6 STOP
326125-T-S	PLT_COP 5 STP W/PHN S/S NEW PI 6 STOP
326125-T-A	PLT_COP 5 STP W/PHN BRS NEW PI 6 STOP
326125-T-B	PLT_COP 5 STP W/PHN BRNZ NEW PI 6 STOP
326125-T-C	PLT_COP 5 STP W/PHN CLR NEW PI 6 STOP
326126-T-S	PLT_COP 6 STP W/PHN S/S NEW PI 6 STOP
326126-T-A	PLT_COP 6 STP W/PHN BRS NEW PI 6 STOP
326126-T-B	PLT_COP 6 STP W/PHN BRNZ NEW PI 6 STOP
326126-T-C	PLT_COP 6 STP W/PHN CLR NEW PI 6 STOP
326122-HF-S	PLT_COP 2 STP W/HF S/S NEW PI 6 STOP
326122-HF-A	PLT_COP 2 STP W/HF BRS NEW PI 6 STOP
326122-HF-B	PLT_COP 2 STP W/HF BRNZ NEW PI 6 STOP
326122-HF-C	PLT_COP 2 STP W/HF CLR NEW PI 6 STOP
326123-HF-S	PLT_COP 3 STP W/HF S/S NEW PI 6 STOP
326123-HF-A	PLT_COP 3 STP W/HF BRS NEW PI 6 STOP
326123-HF-B	PLT_COP 3 STP W/HF BRNZ NEW PI 6 STOP
326123-HF-C	PLT_COP 3 STP W/HF CLR NEW PI 6 STOP
326124-HF-S	PLT_COP 4 STP W/HF S/S NEW PI 6 STOP

Part number	Description
326124-HF-A	PLT_COP 4 STP W/HF BRS NEW PI 6 STOP
326124-HF-B	PLT_COP 4 STP W/HF BRNZ NEW PI 6 STOP
326124-HF-C	PLT_COP 4 STP W/HF CLR NEW PI 6 STOP
326125-HF-S	PLT_COP 5 STP W/HF S/S NEW PI 6 STOP
326126-HF-S	PLT_COP 6 STP W/HF S/S NEW PI 6 STOP
106916	TAPE_DB SIDE YLW 2"
326121	PLT_BACK COP 2011 6 STOP NEW PI
326100-HF	PLT_BACK COP 2011 6 STP
326121-T	PLT_BACK EMI 6 ST W/PHN NEW PI
222468	LABEL_KEY ON/OFF
102269	SW_KEY N/O RMV BOTH 2252 2DC
235125	SPRT_GRND MOUNTED ON KEY SW
626006	STDOFF_.250X.250 NYL
102868	SW_RCKR W/STOP DP/DT 6 TERM
105045	PBTN_ALARM COP
106833	PBTN_PHONE COP
106282	LIGHT_EM LED STRIP 24V
326102	HOLDER_BRD 6 STOP CNTRLR
105760	SCREW_SECURITY 8-32 X 1-1/2"
101115	NUT_HEX 8-32
107102	RING_O 2MMX4MM
109344	PI_SLIM 4.3IN LCD
326101	BRKT_SPRT COP 2011 6 STP
222467	LOGO_SAVARIA S/S
222467-B	LOGO_SAVARIA BRONZE
101220	WSHR_LOCK #6
106241	NUT_HEX 6-32 S/S
101222	WSHR_LCK #8 ZNC
625019	SPCR_#6 X 0.50 PLASTIC
797942	NUT_HEX #6-32 NYL THREADED
101205	WSHR_FLT #6 SAE
106651	PHN_HANDS FREE ADA 2100-907R

Part number	Description
323421-ADA	MNTG_PHN ADA
106654	PHN_KEYPAD 2400-875HE
631203	WIRE_JOINT SMALL
227986	PCB_COP PLUG & PLAY
326001	HRNS_EMI-6 COP BTN
326002	HRNS_EMI-6 COP STP/BTN/EM LIGHT
326003	HRNS_EMI-6 COP PI PWR
326004	HRNS_EMI-6 COP P1-P3
326050	HRNS_EMI-6 COP KEYSWITCH
326051	HRNS_EMI-6 COP GROUNDING
106350	PBTN_0 COP
105041	PBTN_1 COP
105142	PBTN_1R COP
105146	PBTN_1F COP
105042	PBTN_2 COP
105143	PBTN_2R COP
105147	PBTN_2F COP
105043	PBTN_3 COP
105144	PBTN_3R COP
105148	PBTN_3F COP
105044	PBTN_4 COP
105145	PBTN_4R COP
105149	PBTN_4F COP
105156	PBTN_5 COP
105157	PBTN_6 COP
106351	PBTN_-1 COP
106352	PBTN_-2 COP
106353	PBTN_-3 COP
106354	PBTN_-4 COP
105096	PBTN_L COP
105447	PBTN_LR COP
105446	PBTN_LF COP

Part number	Description
105095	PBTN_B COP
105445	PBTN_BR COP
105444	PBTN_BF COP
105098	PBTN_G COP
105443	PBTN_GR COP
105442	PBTN_GF COP
105097	PBTN_M COP
105441	PBTN_MR COP
105440	PBTN_MF COP
106424	PBTN_R COP
107003	PBTN_PH COP
107004	PBTN_C COP

Hall calls



SAMPLE HALL CALL

Part number	Description
227253	STN_HALL ECLIP S/S OVL KYLS
227253-K	STN_HALL ECLIP S/S OVL KYD
227257	STN_HALL ECLIP S/S RCT KYLS
227257-K	STN_HALL ECLIP S/S RCT KYD
227261	STN_HALL ECLIP BRS OVL KYLS
227261-K	STN_HALL ECLIP BRS OVL KYD
227265	STN_HALL ECLIP BRS RCT KYLS
227265-K	STN_HALL ECLIP BRS RCT KYD
227269	STN_HALL ECLIP CLR OVL KYLS
227269-K	STN_HALL ECLIP CLR OVL KYD
227273	STN_HALL ECLIP CLR RCT KYLS
227273-K	STN_HALL ECLIP CLR RCT KYD
227277	STN_HALL ECLIP BRNZ OVL KYLS
227277-K	STN_HALL ECLIP BRNZ OVL KYD
227281	STN_HALL ECLIP BRNZ RCT KYLS
227281-K	STN_HALL ECLIP BRNZ RCT KYD
221626-P-B	STN_HALL CLR ALUM BLUE PI NO/KEY
221630-P-B	STN_HALL CLR ALUM BLUE PI W/KEY
221628-P-B	STN_HALL BRZ ALUM BLUE PI NO/KEY
221632-P-B	STN_HALL BRZ ALUM BLUE PI W/KEY

Hall call cables

Part number	Description
326009-15	HRNS_EMI-6 HALL LNDG STN 15 FT
326009-20	HRNS_EMI-6 HALL LNDG STN 20 FT
326009-25	HRNS_EMI-6 HALL LNDG STN 25 FT
326009-30	HRNS_EMI-6 HALL LNDG STN 30 FT
326009-35	HRNS_EMI-6 HALL LNDG STN 35 FT
326009-40	HRNS_EMI-6 HALL LNDG STN 40 FT
326009-45	HRNS_EMI-6 HALL LNDG STN 45 FT
326009-50	HRNS_EMI-6 HALL LNDG STN 50 FT
326009-55	HRNS_EMI-6 HALL LNDG STN 55 FT
326009-60	HRNS_EMI-6 HALL LNDG STN 60 FT
326009-65	HRNS_EMI-6 HALL LNDG STN 65 FT
326009-70	HRNS_EMI-6 HALL LNDG STN 70 FT
326009-75	HRNS_EMI-6 HALL LNDG STN 75 FT
326009-80	HRNS_EMI-6 HALL LNDG STN 80 FT
326009-85	HRNS_EMI-6 HALL LNDG STN 85 FT
326009-90	HRNS_EMI-6 HALL LNDG STN 90 FT
326009-95	HRNS_EMI-6 HALL LNDG STN 95 FT
326009-100	HRNS_EMI-6 HALL LNDG STN 100 FT
326009-105	HRNS_EMI-6 HALL LNDG STN 105 FT
326009-110	HRNS_EMI-6 HALL LNDG STN 110 FT
326009-115	HRNS_EMI-6 HALL LNDG STN 115 FT
326009-120	HRNS_EMI-6 HALL LNDG STN 120 FT
326009-125	HRNS_EMI-6 HALL LNDG STN 125 FT
326009-130	HRNS_EMI-6 HALL LNDG STN 130 FT
326009-135	HRNS_EMI-6 HALL LNDG STN 135 FT
326009-140	HRNS_EMI-6 HALL LNDG STN 140 FT
326009-145	HRNS_EMI-6 HALL LNDG STN 145 FT
326009-150	HRNS_EMI-6 HALL LNDG STN 150 FT
326009-155	HRNS_EMI-6 HALL LNDG STN 155 FT
326009-160	HRNS_EMI-6 HALL LNDG STN 160 FT
326009-165	HRNS_EMI-6 HALL LNDG STN 165 FT
326009-170	HRNS_EMI-6 HALL LNDG STN 170 FT
326009-175	HRNS_EMI-6 HALL LNDG STN 175 FT

Hall landing station (with key) cable

Part number	Description
326150-15	HRNS_EMI-6 HALL LNDG STN W/KEY 15 FT
326150-20	HRNS_EMI-6 HALL LNDG STN W/KEY 20 FT
326150-25	HRNS_EMI-6 HALL LNDG STN W/KEY 25 FT
326150-30	HRNS_EMI-6 HALL LNDG STN W/KEY 30 FT
326150-35	HRNS_EMI-6 HALL LNDG STN W/KEY 35 FT
326150-40	HRNS_EMI-6 HALL LNDG STN W/KEY 40 FT
326150-45	HRNS_EMI-6 HALL LNDG STN W/KEY 45 FT
326150-50	HRNS_EMI-6 HALL LNDG STN W/KEY 50 FT
326150-55	HRNS_EMI-6 HALL LNDG STN W/KEY 55 FT
326150-60	HRNS_EMI-6 HALL LNDG STN W/KEY 60 FT
326150-65	HRNS_EMI-6 HALL LNDG STN W/KEY 65 FT
326150-70	HRNS_EMI-6 HALL LNDG STN W/KEY 70 FT
326150-75	HRNS_EMI-6 HALL LNDG STN W/KEY 75 FT
326150-80	HRNS_EMI-6 HALL LNDG STN W/KEY 80 FT
326150-85	HRNS_EMI-6 HALL LNDG STN W/KEY 85 FT
326150-90	HRNS_EMI-6 HALL LNDG STN W/KEY 90 FT
326150-95	HRNS_EMI-6 HALL LNDG STN W/KEY 95 FT
326150-100	HRNS_EMI-6 HALL LNDG STN W/KEY 100 FT
326150-105	HRNS_EMI-6 HALL LNDG STN W/KEY 105 FT
326150-110	HRNS_EMI-6 HALL LNDG STN W/KEY 110 FT
326150-115	HRNS_EMI-6 HALL LNDG STN W/KEY 115 FT
326150-120	HRNS_EMI-6 HALL LNDG STN W/KEY 120 FT
326150-125	HRNS_EMI-6 HALL LNDG STN W/KEY 125 FT
326150-130	HRNS_EMI-6 HALL LNDG STN W/KEY 130 FT
326150-135	HRNS_EMI-6 HALL LNDG STN W/KEY 135 FT
326150-140	HRNS_EMI-6 HALL LNDG STN W/KEY 140 FT
326150-145	HRNS_EMI-6 HALL LNDG STN W/KEY 145 FT
326150-150	HRNS_EMI-6 HALL LNDG STN W/KEY 150 FT
326150-155	HRNS_EMI-6 HALL LNDG STN W/KEY 155 FT
326150-160	HRNS_EMI-6 HALL LNDG STN W/KEY 160 FT
326150-165	HRNS_EMI-6 HALL LNDG STN W/KEY 165 FT
326150-170	HRNS_EMI-6 HALL LNDG STN W/KEY 170 FT
326150-175	HRNS_EMI-6 HALL LNDG STN W/KEY 175 FT

Traveling cables

Traveling cable - round

Part number	Description
326010-25	HRNS_EMI-6 TRV CBL 25 FT
326010-30	HRNS_EMI-6 TRV CBL 30 FT
326010-35	HRNS_EMI-6 TRV CBL 35 FT
326010-40	HRNS_EMI-6 TRV CBL 40 FT
326010-45	HRNS_EMI-6 TRV CBL 45 FT
326010-50	HRNS_EMI-6 TRV CBL 50 FT
326010-55	HRNS_EMI-6 TRV CBL 55 FT
326010-60	HRNS_EMI-6 TRV CBL 60 FT
326010-65	HRNS_EMI-6 TRV CBL 65 FT
326010-70	HRNS_EMI-6 TRV CBL 70 FT
326010-75	HRNS_EMI-6 TRV CBL 75 FT
326010-80	HRNS_EMI-6 TRV CBL 80 FT
326010-85	HRNS_EMI-6 TRV CBL 85 FT
326010-90	HRNS_EMI-6 TRV CBL 90 FT
326010-95	HRNS_EMI-6 TRV CBL 95 FT
326010-100	HRNS_EMI-6 TRV CBL 100 FT
326010-105	HRNS_EMI-6 TRV CBL 105 FT
326010-110	HRNS_EMI-6 TRV CBL 110 FT
326010-115	HRNS_EMI-6 TRV CBL 115 FT
326010-120	HRNS_EMI-6 TRV CBL 120 FT
326010-125	HRNS_EMI-6 TRV CBL 125 FT
326010-130	HRNS_EMI-6 TRV CBL 130 FT
326010-135	HRNS_EMI-6 TRV CBL 135 FT
326010-140	HRNS_EMI-6 TRV CBL 140 FT
326010-145	HRNS_EMI-6 TRV CBL 145 FT
326010-150	HRNS_EMI-6 TRV CBL 150 FT
326010-155	HRNS_EMI-6 TRV CBL 155 FT
326010-160	HRNS_EMI-6 TRV CBL 160 FT
326010-165	HRNS_EMI-6 TRV CBL 165 FT
326010-170	HRNS_EMI-6 TRV CBL 170 FT

Traveling cable A - flat

Part number	Description
326110-25	HRNS_EMI-6 TRV CBL A 25 FT
326110-30	HRNS_EMI-6 TRV CBL A 30 FT
326110-35	HRNS_EMI-6 TRV CBL A 35 FT
326110-40	HRNS_EMI-6 TRV CBL A 40 FT
326110-45	HRNS_EMI-6 TRV CBL A 45 FT
326110-50	HRNS_EMI-6 TRV CBL A 50 FT
326110-55	HRNS_EMI-6 TRV CBL A 55 FT
326110-60	HRNS_EMI-6 TRV CBL A 60 FT
326110-65	HRNS_EMI-6 TRV CBL A 65 FT
326110-70	HRNS_EMI-6 TRV CBL A 70 FT
326110-75	HRNS_EMI-6 TRV CBL A 75 FT
326110-80	HRNS_EMI-6 TRV CBL A 80 FT
326110-85	HRNS_EMI-6 TRV CBL A 85 FT
326110-90	HRNS_EMI-6 TRV CBL A 90 FT
326110-95	HRNS_EMI-6 TRV CBL A 95 FT
326110-100	HRNS_EMI-6 TRV CBL A 100 FT
326110-105	HRNS_EMI-6 TRV CBL A 105 FT
326110-110	HRNS_EMI-6 TRV CBL A 110 FT
326110-115	HRNS_EMI-6 TRV CBL A 115 FT
326110-120	HRNS_EMI-6 TRV CBL A 120 FT
326110-125	HRNS_EMI-6 TRV CBL A 125 FT
326110-130	HRNS_EMI-6 TRV CBL A 130 FT
326110-135	HRNS_EMI-6 TRV CBL A 135 FT
326110-140	HRNS_EMI-6 TRV CBL A 140 FT
326110-145	HRNS_EMI-6 TRV CBL A 145 FT
326110-150	HRNS_EMI-6 TRV CBL A 150 FT
326110-155	HRNS_EMI-6 TRV CBL A 155 FT
326110-160	HRNS_EMI-6 TRV CBL A 160 FT
326110-165	HRNS_EMI-6 TRV CBL A 165 FT
326110-170	HRNS_EMI-6 TRV CBL A 170 FT

Traveling cable B - flat

Part number	Description
326111-25	HRNS_EMI-6 TRV CBL B 25 FT
326111-30	HRNS_EMI-6 TRV CBL B 30 FT
326111-35	HRNS_EMI-6 TRV CBL B 35 FT
326111-40	HRNS_EMI-6 TRV CBL B 40 FT
326111-45	HRNS_EMI-6 TRV CBL B 45 FT
326111-50	HRNS_EMI-6 TRV CBL B 50 FT
326111-55	HRNS_EMI-6 TRV CBL B 55 FT
326111-60	HRNS_EMI-6 TRV CBL B 60 FT
326111-65	HRNS_EMI-6 TRV CBL B 65 FT
326111-70	HRNS_EMI-6 TRV CBL B 70 FT
326111-75	HRNS_EMI-6 TRV CBL B 75 FT
326111-80	HRNS_EMI-6 TRV CBL B 80 FT
326111-85	HRNS_EMI-6 TRV CBL B 85 FT
326111-90	HRNS_EMI-6 TRV CBL B 90 FT
326111-95	HRNS_EMI-6 TRV CBL B 95 FT
326111-100	HRNS_EMI-6 TRV CBL B 100 FT
326111-105	HRNS_EMI-6 TRV CBL B 105 FT
326111-110	HRNS_EMI-6 TRV CBL B 110 FT
326111-115	HRNS_EMI-6 TRV CBL B 115 FT
326111-120	HRNS_EMI-6 TRV CBL B 120 FT
326111-125	HRNS_EMI-6 TRV CBL B 125 FT
326111-130	HRNS_EMI-6 TRV CBL B 130 FT
326111-135	HRNS_EMI-6 TRV CBL B 135 FT
326111-140	HRNS_EMI-6 TRV CBL B 140 FT
326111-145	HRNS_EMI-6 TRV CBL B 145 FT
326111-150	HRNS_EMI-6 TRV CBL B 150 FT
326111-155	HRNS_EMI-6 TRV CBL B 155 FT
326111-160	HRNS_EMI-6 TRV CBL B 160 FT
326111-165	HRNS_EMI-6 TRV CBL B 165 FT
326111-170	HRNS_EMI-6 TRV CBL B 170 FT

Motor cables

Part number	Description
227238-10	HRNS_ EMI-6 MTR 10 FT
227238-15	HRNS_ EMI-6 MTR 15 FT
227238-20	HRNS_ EMI-6 MTR 20 FT
227238-25	HRNS_ EMI-6 MTR 25 FT
227238-30	HRNS_ EMI-6 MTR 30 FT
227238-35	HRNS_ EMI-6 MTR 35 FT
227238-40	HRNS_ EMI-6 MTR 40 FT
227238-45	HRNS_ EMI-6 MTR 45 FT
227238-50	HRNS_ EMI-6 MTR 50 FT
227238-55	HRNS_ EMI-6 MTR 55 FT
227238-60	HRNS_ EMI-6 MTR 60 FT
227238-65	HRNS_ EMI-6 MTR 65 FT
227238-70	HRNS_ EMI-6 MTR 70 FT
227238-75	HRNS_ EMI-6 MTR 75 FT
227238-80	HRNS_ EMI-6 MTR 80 FT
227238-85	HRNS_ EMI-6 MTR 85 FT
227238-90	HRNS_ EMI-6 MTR 90 FT
227238-95	HRNS_ EMI-6 MTR 95 FT
227238-100	HRNS_ EMI-6 MTR 100 FT
227238-105	HRNS_ EMI-6 MTR 105 FT
227238-110	HRNS_ EMI-6 MTR 110 FT
227238-115	HRNS_ EMI-6 MTR 115 FT
227238-120	HRNS_ EMI-6 MTR 120 FT
227238-125	HRNS_ EMI-6 MTR 125 FT
227238-130	HRNS_ EMI-6 MTR 130 FT
227238-135	HRNS_ EMI-6 MTR 135 FT
227238-140	HRNS_ EMI-6 MTR 140 FT
227238-145	HRNS_ EMI-6 MTR 145 FT
227238-150	HRNS_ EMI-6 MTR 150 FT
227238-155	HRNS_ EMI-6 MTR 155 FT
227238-160	HRNS_ EMI-6 MTR 160 FT
227238-165	HRNS_ EMI-6 MTR 165 FT
227238-170	HRNS_ EMI-6 MTR 170 FT

Part number	Description
227901-10	HRNS_ECLIPSE DRV MACH SHIELDED 10 FT
227901-15	HRNS_ECLIPSE DRV MACH SHIELDED 15 FT
227901-20	HRNS_ECLIPSE DRV MACH SHIELDED 20 FT
227901-25	HRNS_ECLIPSE DRV MACH SHIELDED 25 FT
227901-30	HRNS_ECLIPSE DRV MACH SHIELDEDMTR 30 FT
227901-35	HRNS_ECLIPSE DRV MACH SHIELDED 35 FT
227901-40	HRNS_ECLIPSE DRV MACH SHIELDED 40 FT
227901-45	HRNS_ECLIPSE DRV MACH SHIELDED 45 FT
227901-50	HRNS_ECLIPSE DRV MACH SHIELDED 50 FT
227901-55	HRNS_ECLIPSE DRV MACH SHIELDED 55 FT
227901-60	HRNS_ECLIPSE DRV MACH SHIELDED 60 FT
227901-65	HRNS_ECLIPSE DRV MACH SHIELDED 65 FT
227901-70	HRNS_ECLIPSE DRV MACH SHIELDED 70 FT
227901-75	HRNS_ECLIPSE DRV MACH SHIELDED 75 FT
227901-80	HRNS_ECLIPSE DRV MACH SHIELDED 80 FT
227901-85	HRNS_ECLIPSE DRV MACH SHIELDED 85 FT
227901-90	HRNS_ECLIPSE DRV MACH SHIELDED 90 FT
227901-95	HRNS_ECLIPSE DRV MACH SHIELDED 95 FT
227901-100	HRNS_ECLIPSE DRV MACH SHIELDED 100 FT
227901-105	HRNS_ECLIPSE DRV MACH SHIELDED 105 FT
227901-110	HRNS_ECLIPSE DRV MACH SHIELDED 110 FT
227901-115	HRNS_ECLIPSE DRV MACH SHIELDED 115 FT
227901-120	HRNS_ECLIPSE DRV MACH SHIELDED 120 FT
227901-125	HRNS_ECLIPSE DRV MACH SHIELDED 125 FT
227901-130	HRNS_ECLIPSE DRV MACH SHIELDED 130 FT
227901-135	HRNS_ECLIPSE DRV MACH SHIELDED 135 FT
227901-140	HRNS_ECLIPSE DRV MACH SHIELDED 140 FT
227901-145	HRNS_ECLIPSE DRV MACH SHIELDED 145 FT
227901-150	HRNS_ECLIPSE DRV MACH SHIELDED 150 FT
227901-155	HRNS_ECLIPSE DRV MACH SHIELDED 155 FT
227901-160	HRNS_ECLIPSE DRV MACH SHIELDED 160 FT
227901-165	HRNS_ECLIPSE DRV MACH SHIELDED 165 FT
227901-170	HRNS_ECLIPSE DRV MACH SHIELDED 170 FT

Misc cables

Part number	Description
227240	HRNS_ECLIPSE CAR END OF TRAVEL SWITCH
326569	HRNS_EMI-6-BROKEN SW (CABLES)
326005	HRNS EMI-6 SLACK ROPE SWITCH
326053-1F	HRNS_EMI-6-HALL CALL PI 1FT
326054	HRNS_MICRO 6 CEILING FAN
326011	HRNS_EMI-6 COMMANDER DR OPERATOR
326954	HRNS_EMI-6 CNTRLR BUTTON ADPT

Miscellaneous items

Documents

Part number	Description
000794	GUIDE_INSTALLATION, ECLIPSE MICRO-6
000846	OWNER'S MANUAL, ECLIPSE MICRO-6
000798	MICRO-6 CONTROLLER OPERATOR MANUAL
000857	LOCKS INSTALLATION GUIDE, ECLIPSE MICRO-6
000858	MAINTENANCE AND TROUBLESHOOTING GUIDE, ECLIPSE MICRO-6
000839	ELECTRICAL SCHEMATICS, ECLIPSE MICRO-6
000844	ELECTRICAL SCHEMATICS, ECLIPSE MICRO-6 INTERNATIONAL
000623	ECLIPSE PLANNING GUIDE
001030	PARTS CATALOGUE, ECLIPSE MICRO-6, GEARED
000836	GUIDE_INSTALL PROG SMART PHONE
000877	GUIDE_INSTALL AUTO SLIM DOORS 2012
000893	SHEET_INSTALL AUTO SLIM DOORS 2012

Tools

Part number	Description
200438-C	BUTTONS_TEMPORARY, MODIFIED
200438-CORDLESS	BUTTONS_TEMPORARY, CORDLESS
326049	P-TOOL, EMI-6 PROGRAMMING TOOL
109244	CBL_P-TOOL EMI-6 50 FT

Auxiliary disconnects

Part number	Description
105900	DISCONNECT_MTR 2 POLE
105901	DISCONNECT_MTR 3POLE

Door locks – PORTA

PORTA lock kit, left hand - 222614

Item	Part number	Description
1	105930	LOCK_PORTA LH
2	220977	HRNS_INF LOCK
3	106372	SCRW_SM PHP #4 x 1/2 SS
4	227588-S	PLT_ACCESS SMART LCK KEY RES
5	300878	KEY_KWIK LCK AUTO DOOR
6	227858-S	PLT_ACCESS SMART LCK INSIDE
7	200939	KEY_EMERGENCY (PORTA/PRO-EMI/WR500 LOCK)
8	103775	VIEWER_DOOR W/O GLASS B-02
9	209296	DECAL_TAG KEY EMERG KWIK/EMI
10	320212	TAG_KEY EMERG KWIK/EMI
11	209297	DECAL_KEY EMERG WARNING KWIK
-	320635	TEMPLATE_INSTALL PORTA LOCK

PORTA lock kit, right hand - 222615

Item	Part number	Description
1	105931	LOCK_PORTA RH
2	220977	HRNS_INF LOCK
3	106372	SCRW_SM PHP #4 x 1/2 SS
4	227588-S	PLT_ACCESS SMART LCK KEY RES
5	300878	KEY_KWIK LCK AUTO DOOR
6	227858-S	PLT_ACCESS SMART LCK INSIDE
7	200939	KEY_EMERGENCY (PORTA/PRO-EMI/WR500 LOCK)
8	103775	VIEWER_DOOR W/O GLASS B-02
9	209296	DECAL_TAG KEY EMERG KWIK/EMI
10	320212	TAG_KEY EMERG KWIK/EMI
11	209297	DECAL_KEY EMERG WARNING KWIK
-	320635	TEMPLATE_INSTALL PORTA LOCK

Door locks – PRO-EMI

PRO-EMI lock kit, left hand - 221456

Item	Part number	Description
1	C200024	LOCK_PRO-EMI LH
2	220977	HRNS_INF LOCK
3	106372	SCRW_SM PHP #4 x 1/2 SS
4	227588-S	PLT_ACCESS SMART LCK KEY RES
5	300878	KEY_KWIK LCK AUTO DOOR
6	227858-S	PLT_ACCESS SMART LCK INSIDE
7	200939	KEY_EMERGENCY (PORTA/PRO-EMI/WR500 LOCK)
8	103775	VIEWER_DOOR W/O GLASS B-02
9	209296	DECAL_TAG KEY EMERG KWIK/EMI
10	320212	TAG_KEY EMERG KWIK/EMI
11	209297	DECAL_KEY EMERG WARNING KWIK
-	320639	TEMPLATE_INSTALL PRO-EMI LOCK

PRO-EMI lock kit, right hand - 221457

Item	Part number	Description
1	C200041	LOCK_PRO-EMI RH
2	220977	HRNS_INF LOCK
3	106372	SCRW_SM PHP #4 x 1/2 SS
4	227588-S	PLT_ACCESS SMART LCK KEY RES
5	300878	KEY_KWIK LCK AUTO DOOR
6	227858-S	PLT_ACCESS SMART LCK INSIDE
7	200939	KEY_EMERGENCY (PORTA/PRO-EMI/WR500 LOCK)
8	103775	VIEWER_DOOR W/O GLASS B-02
9	209296	DECAL_TAG KEY EMERG KWIK/EMI
10	320212	TAG_KEY EMERG KWIK/EMI
11	209297	DECAL_KEY EMERG WARNING KWIK
-	320639	TEMPLATE_INSTALL PRO-EMI LOCK

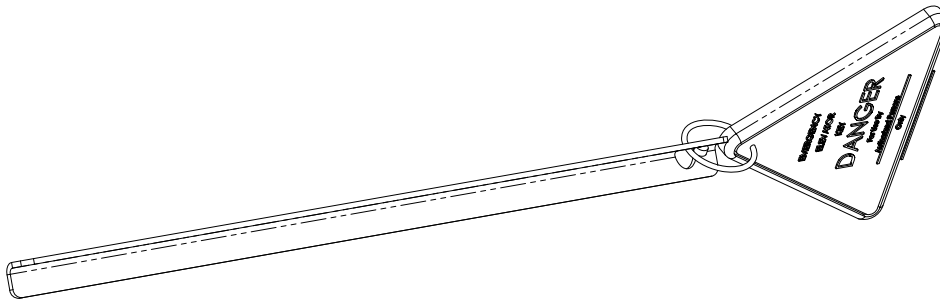
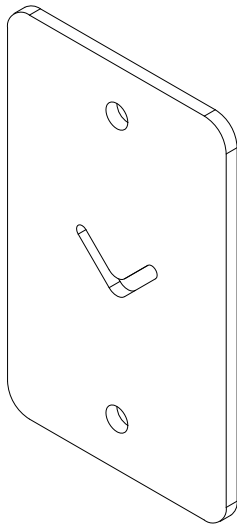
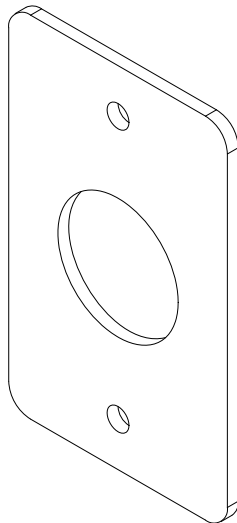
Door Locks – Honeywell

Honeywell lock kit, left hand - 320505

Item	Part number	Description
1	106940-L	HONEYWELL LOCK_LH_RES
2	220977	HRNS_INF LOCK
3	106372	SCREW_SM PHP #4 X 1/2 SS
4	227588-S	PLT_ACCESS SMART LCK KEY RES
5	300878	KEY_KWIK LCK AUTO DOOR
6	227858-S	PLT_ACCESS SMART LCK INSIDE
7	200939	KEY EMG KWIKLOCK/EMI
8	103775	VIEWER_DOOR W/O GLASS B-02
9	209296	DECAL_TAG KEY EMERG KWIK/EMI
10	320212	TAG_KEY EMERG KWIK/EMI
11	209297	DECAL_KEY EMERG WARNING KWIK
12	C200033	NUT_T PAN HEAD 1/4-20 S/S
13	106088	MS_FHP 1/4-20 X 1-1/4 S/S

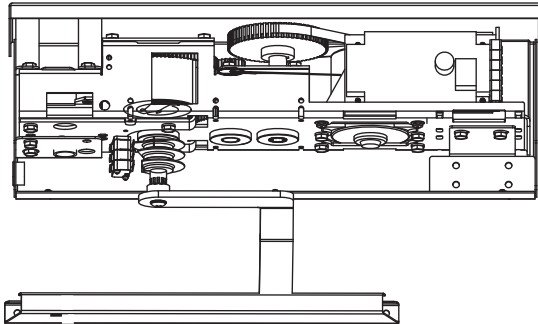
Honeywell lock kit, right hand - 320506

Item	Part number	Description
1	106940-R	HONEYWELL LOCK_RH_RES
2	220977	HRNS_INF LOCK
3	106372	SCREW_SM PHP #4 X 1/2 SS
4	227588-S	PLT_ACCESS SMART LCK KEY RES
5	300878	KEY_KWIK LCK AUTO DOOR
6	227858-S	PLT_ACCESS SMART LCK INSIDE
7	200939	KEY EMG KWIKLOCK/EMI
8	103775	VIEWER_DOOR W/O GLASS B-02
9	209296	DECAL_TAG KEY EMERG KWIK/EMI
10	320212	TAG_KEY EMERG KWIK/EMI
11	209297	DECAL_KEY EMERG WARNING KWIK
12	C200033	NUT_T PAN HEAD 1/4-20 S/S
13	106088	MS_FHP 1/4-20 X 1-1/4 S/S

Emergency access key - 300878**Landing side access plate - 227588-S****Hoistway side access plate - 227858-S**

Commander door operator

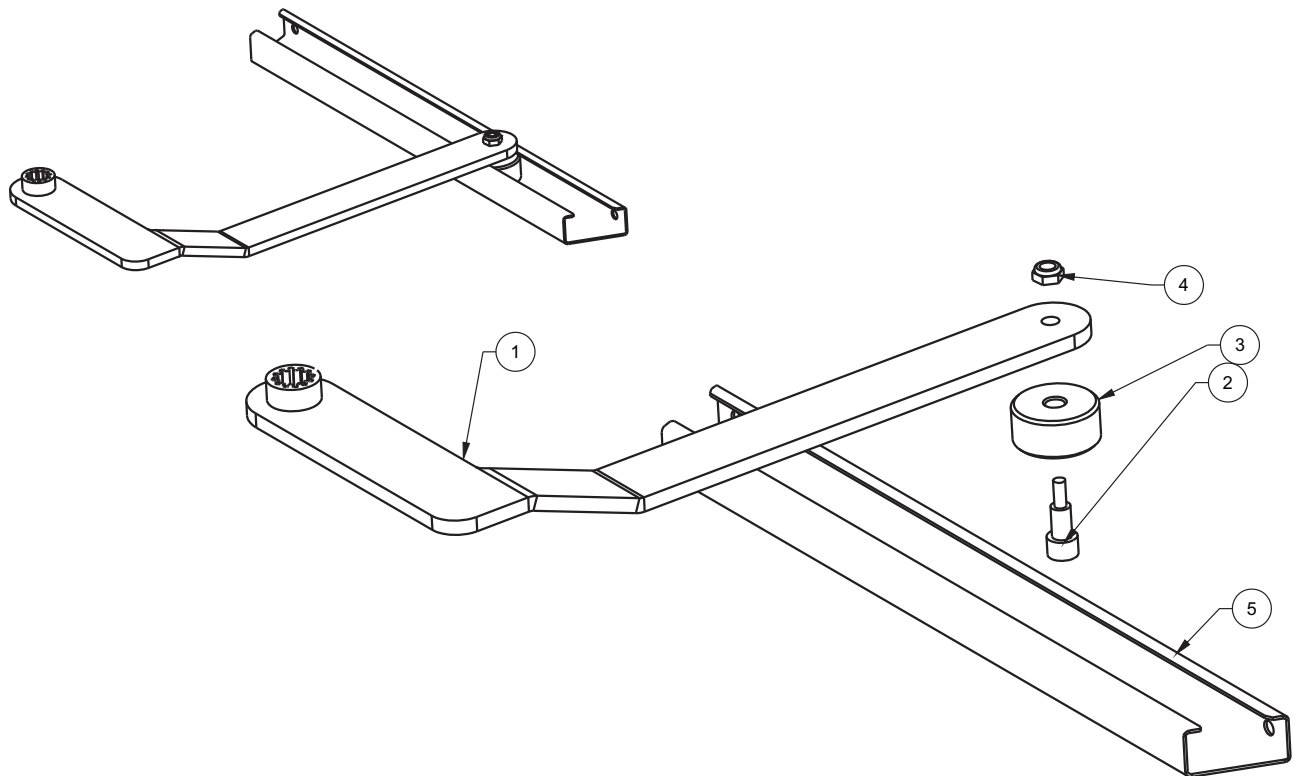
Commander door operator, right hand, swing in - 300994-M



Right hand swing in
 Pn: 300994
 Stand in front of Commander
 Door opens towards you

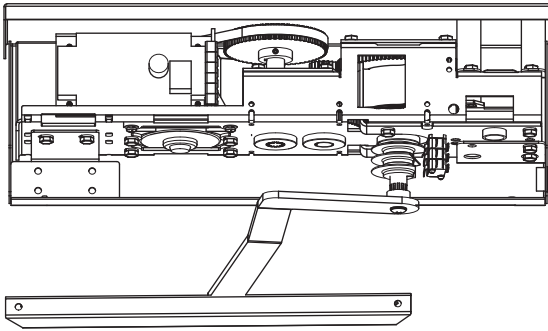
Item	Part number	Description
1	300658	PLT_MNTG RH W/A COMNDR UNI
2	300661	CVR_BOX RH COMMANDER UNIFD
3	300699	ARM_ASSY RHSI COMMND UNIFD
4	104422	WSHR_LCK 1/4 S/S
5	104652	MS_THP 1/4-20 X 5/8
6	104656	SCRW_8-32 X 1/4" TRUSS HD S/S
7	300693	HSNG_OPRTN COMMANDER RHSO
9	000606	MANUAL_INSTALL COMMANDER
10	000573	MANUAL_OWNER AUTO-DOOR OPNR
11	222467	LOGO_SAVARIA S/S
12	209197	DECAL_COMMANDER
13	104532	SCRW_TAP PH #12x1.00 S/S
14	105312	CARTON_SHP CMD OPR 21.5X6X8.5
15	300632	BLOCK_PRELOAD COMMANDER
16	300633	DECAL_CAUTION RMV BEFORE OPRTN

Commander right hand, swing in arm/linkage - 300699



Item	Part number	Description
1	300678	ARM_OPRTR W/A RHSI COMMND UNIF
2	102121	SCRW_SHS 5/16 1/4-20 x 1/2
3	101576	RLR_NYL PRO-DOOR OPRTR ARM
4	102729	NUT_HEX 1/4-20 JAM NYLOK
5	300478	ARM_CHNL 3.474 x 15.00"

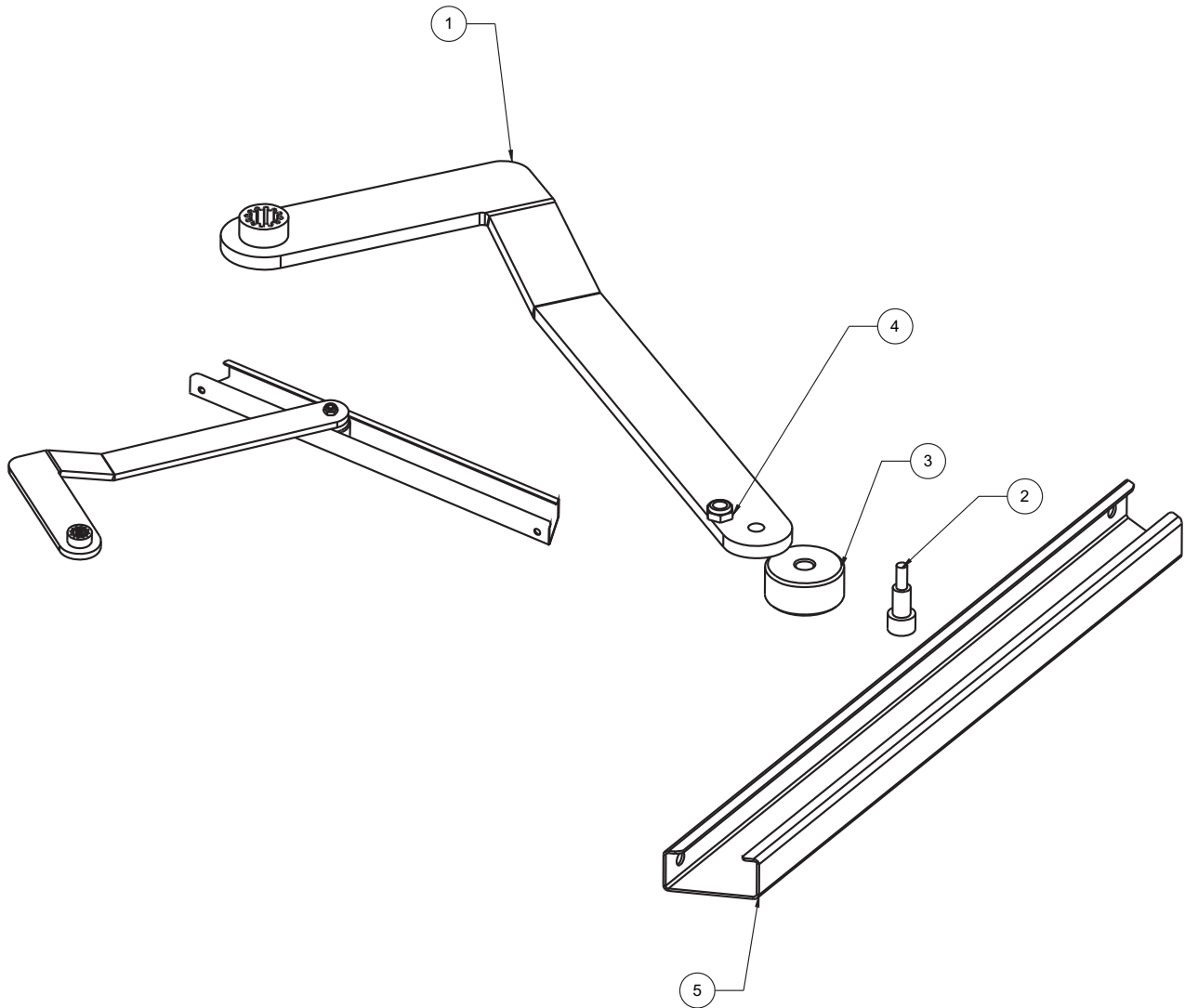
Commander door operator, left hand, swing in - 300996-M



Left hand swing in
 Pn: 300996
 Stand in front of Commander
 Door opens towards you

Item	Part number	Description
1	300658-L	PLT_MNTG LHW/A COMNDR UNI
2	300661-L	CVR_BOX LH COMMANDER UNIFD
3	300700	ARM_ASSY LHSI COMMND UNIFD
4	104422	WSHR_LCK 1/4 S/S
5	104652	MS_THP 1/4-20 X 5/8
6	104656	SCRW_8-32 X 1/4" TRUSS HD S/S
7	300693	HSNG_OPRTR COMMANDER RHSO
9	000606	MANUAL_INSTALL COMMANDER
10	000573	MANUAL_OWNER AUTO-DOOR OPNR
11	222467	LOGO_SAVARIA S/S
12	209197	DECAL_COMMANDER
13	104532	SCRW_TAP PH #12x1.00 S/S
14	105312	CARTON_SHP CMD OPR 21.5X6X8.5
15	300632	BLOCK_PRELOAD COMMANDER
16	300633	DECAL_CAUTION RMV BEFORE OPRTN

Commander left hand, swing in arm/linkage - 300700



Item	Part number	Description
1	300678-L	ARM_OPRTR W/A LHSI COMMND UNIF
2	102121	SCRW_SHS 5/16 1/4-20 x 1/2
3	101576	RLR_NYL PRO-DOOR OPRTR ARM
4	102729	NUT_HEX 1/4-20 JAM NYLOK
5	300478	ARM_CHNL 3.474 x 15.00"

Eclipse

Geared (Micro-6)

PARTS CATALOGUE

Part No. 001030
Copyright © 2019

Savaria Concord Lifts, Inc.
www.savaria.com

Support
2 Walker Drive
Brampton, Ontario, L6T 5E1, Canada
Toll free: (800) 791-7999
Fax: (905) 791-2222

