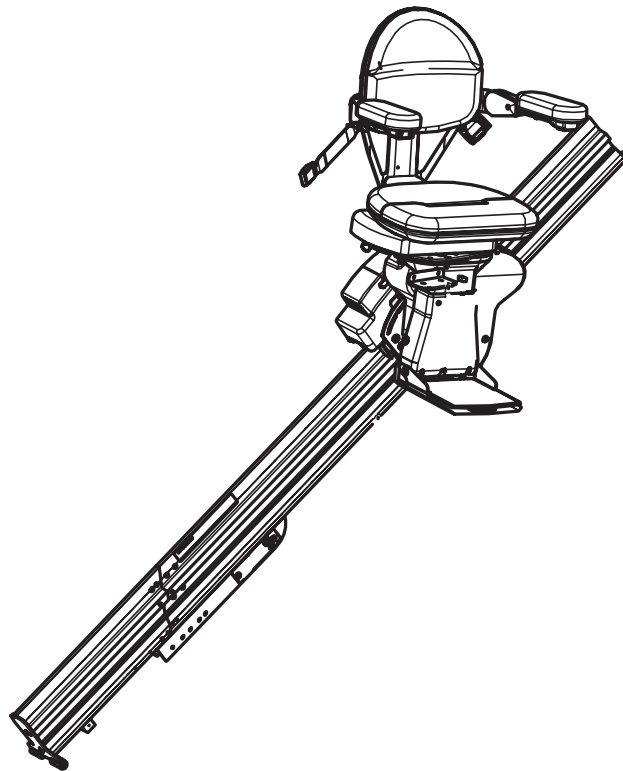




**SRE-2010**  
***ELITE***  
***Straight Rail Stairlift***



(Español 51-97)  
(Français 101-147)

**INSTALLATION MANUAL**  
**08 FEBRUARY 2019**  
**P/N 2010-I**

# REGULATORY INFORMATION AND IMPORTANT NOTES

---

## REGULATORY LISTINGS



Intertek  
4004689



Intertek  
4004689



This lift is intended to be installed in accordance with the current edition of:

- ASME A18.1: 2017 Safety Standard for Platform Lifts and Stairway Chairlifts - Units with overspeed assembly
- ASME A18.1: 2014 Safety Standard for Platform Lifts and Stairway Chairlifts - Units without overspeed assembly
- CAN/CSA-B613-00 (R2012) - Private Residence Lifts for Persons with Physical Disabilities
- ASME A17.5/CSA B44.1 - 2014 Elevator and Escalator Electrical Equipment
- NFPA 70: National Electrical Code®
- CSA C22.1 Canadian Electrical Code

Verify applicable local codes with the appropriate regulatory authorities.

## MATERIAL SAFETY DATA SHEETS

Material safety data sheets (MSDS) on materials used on this unit may be requested through the Bruno Technical Service Department.

## INSTALLING DEALER RESPONSIBILITIES

The installing dealer has responsibility to report any malfunctions, safety concerns or events to the manufacturer in a timely manner. The installing dealer also has the responsibility to ensure that the users are properly trained in the use and operation of the unit.

Bruno stairway elevators shall be put into service and regularly serviced by a Bruno authorized dealer in accordance with the information provided in installation documents provided with the device.

## FCC REGULATIONS (U.S.)

This equipment has been tested and found to comply with the limits for a Class B digital device, pursuant to Part 15 Subpart B of the FCC rules. These limits are designed to provide reasonable protection against harmful interference in a residential installation. This equipment generates, uses, and can radiate radio frequency energy, and if not installed and used in accordance with the instructions, may cause harmful interference to radio communications. However, there is no guarantee that interference will not occur in a particular installation. If this equipment does cause harmful interference to radio or television reception, which can be determined by turning the equipment off and on, the user is encouraged to try to correct the interference by one or more of the of the following measures:

- Reorient or relocate receiving antenna.
- Increase separation between equipment and receiver.
- Consult your dealer or an experienced radio/TV technician.

This stairlift is **FOR INDOOR USE ONLY**  
in enclosed heated locations **above 2°C (35°F)**.

The warranty for the Elite Straight Rail Stairlift is *rendered null and void* if unit is installed or maintained by anyone other than an authorized Bruno dealer.

409® is a registered trademark of the Clorox Company  
Fantastik® is a registered trademark of S.C. Johnson & Son, Inc.

## Introductory Pages

Regulatory Information and Important Notes . . . . .	2
Table of Contents . . . . .	3
Product Overview and Technical Specifications . . . . .	4
Tools, Torque Specifications, and Hardware Notes . . . . .	5

## Pre-Installation

Site Review and Preparation . . . . .	6
Rail Measurements . . . . .	6
Rail Cutting Guidelines . . . . .	7
Rail Support (Rail Bracket) Requirements . . . . .	7
Lower Rail Preparation . . . . .	8-9
Joint Prep . . . . .	9
Upper Rail Preparation . . . . .	10
Finish Preparation . . . . .	11-13

## Installation

Rail Installation . . . . .	14-17
Non-Folding Rail Installations . . . . .	14-15
Folding Rail Installations . . . . .	16-17
Carriage Installation . . . . .	18
Footrest Installation . . . . .	19
Completing Rail Installation . . . . .	20-22
Rail Cross-Pin Installation . . . . .	23-24
Make Charger Connections . . . . .	24-25
Non-Folding Rail Installations . . . . .	25
Folding Rail Installations . . . . .	26
Seat Installation . . . . .	26-28
Lubricate Gear Rack . . . . .	29
Battery Charger Installation . . . . .	30
Fit & Finish . . . . .	31
Customer Education . . . . .	32-33

## Electrical

Reprogramming Remote Transmitters . . . . .	34-35
Single-User vs. Multi-User Diagnostic Mode . . . . .	36
Battery Charger LED Information . . . . .	37

## Post-Installation Adjustments

Footrest Height Adjustment . . . . .	38
Drive Adjustment . . . . .	39
Carriage Angle Adjustment . . . . .	40
Seat Swivel Stop Adjustment . . . . .	41
Carriage Adjustment . . . . .	41
Arm Extension Adjustment . . . . .	42

## Troubleshooting

Diagnostic Codes . . . . .	44-45
Reset Folding Rail Joint . . . . .	46
Overspeed for SRE-2010C & SRE-2010OS Installations . . . . .	47

## Limited Warranty

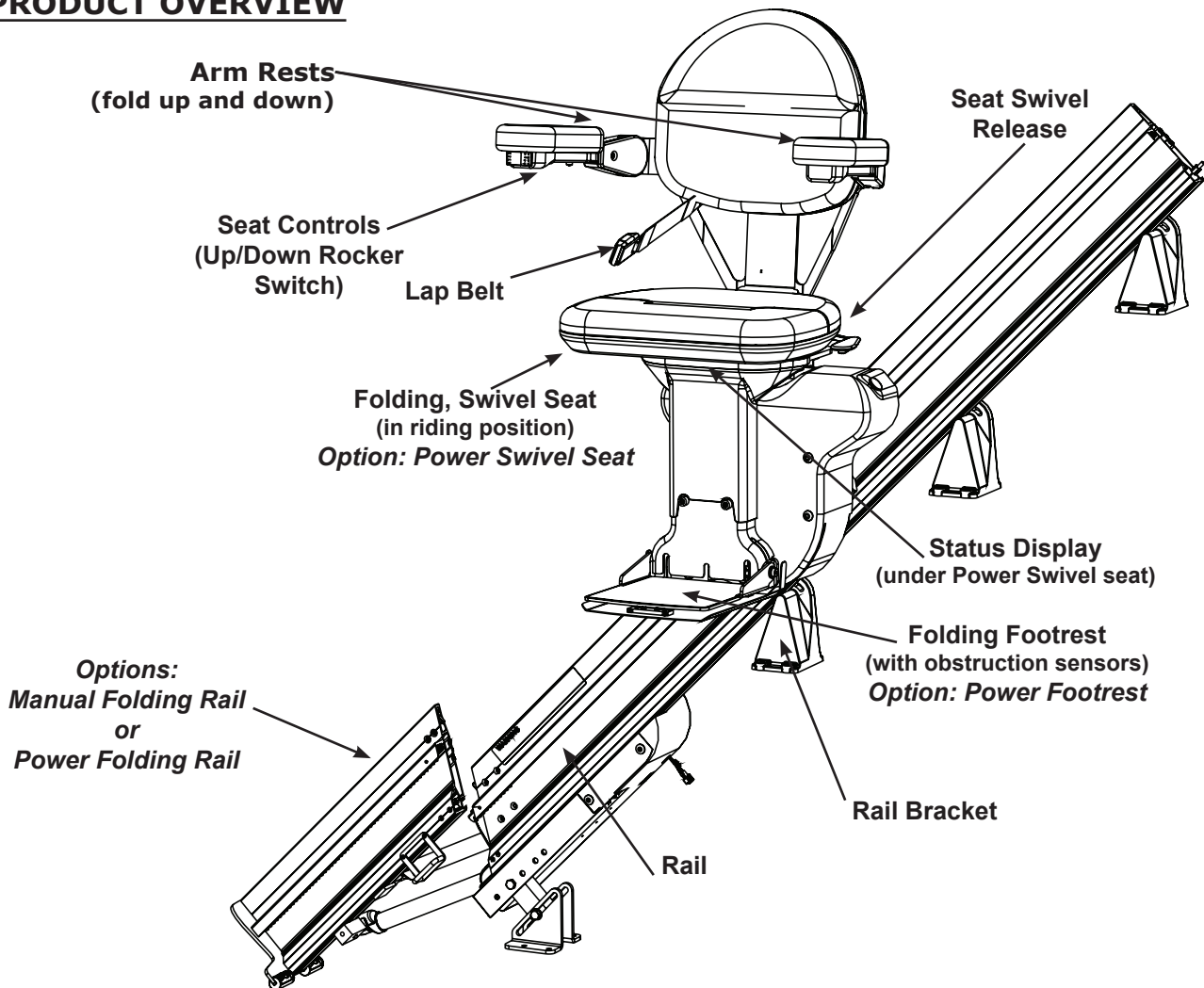
## Declaration of Conformity

## Wiring Schematics

## Exploded Views

# TECHNICAL SPECIFICATIONS

## PRODUCT OVERVIEW



## TECHNICAL SPECIFICATIONS

**Weight Capacity:** . . . . . 400 lbs. (181 kg)

**Speed:** . . . . . maximum 25 ft./min. (0 to 8.5 m/min)

**Power Source:** . . . . . two (2) 12-volt sealed, maintenance-free batteries with 24-volt continuous-duty charger

**Motor:** . . . . . 24 VDC, 2-pole, 0.68 hp

**Drive:** . . . . . self-locking gearbox, rack-and-pinion drive

**Control:** . . . . . constant pressure (armrest and 2 transmitters)

**Brake:** . . . . . electro-mechanical brake and self-locking worm gear

**Maximum incline:** . . . . 45°

**Rail:** . . . . . vertical aluminum extrusion with integral drive gear rack

**Seat Swivel:** . . . . . 0°, 60° and 90° at the top; 45° at the bottom

**Power Supply:** . . . . . 24 VDC battery charger powered by 120-volt wall outlet

# TOOLS, TORQUE SPECIFICATIONS, AND HARDWARE NOTES

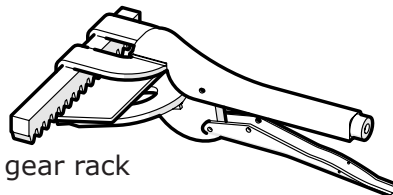
## **Tools**

- Drill driver with *MINIMUM* 18" extension
- Drill bits: appropriate for floor (eg. concrete, hardwood); 3/8", min. 6" long
- Cut-off saw (or other power saw with metal-cutting blade suitable for aluminum/steel)
- Metric open-end box wrench set
- **Adjustable wrench with 1-1/2" jaw** (for changing to opposite hand)
- Torque wrench (open end, and one that handles 50-80 ft.lb./68-108 Nm)
- Ratchet, 3/8" with 6" extension
- 1/2" SAE socket
- Metric sockets (10 mm, 13 mm, 17 mm)
- 10mm magnetic socket, 3/8" drive (Bruno recommends use with an 18" extension)
- Vise grips and C-clamp vise grips
- Needle-nose pliers
- Metric hex key set
- Magnetic Phillips screwdrivers
- Soft-faced or dead-blow hammer, or hard rubber or rawhide mallet
- Multimeter
- Extension cords
- Saw horses
- Safety glasses
- Torpedo level
- Tin snips
- Utility knife
- Wire stripper
- Wire crimper
- Metal file
- Scratch awl
- 20' tape measure
- Flashlight
- Threadlocker (i.e., Loctite®)

### **Next:**

- **Determine if the application requires installation of a manual or power folding rail.**

**Use FIX-00525 rail clamp tool (available from Bruno).**



OR Bar/Spring clamp with piece of gear rack

## **Torque Specs**

- Follow OEM torque recommendations for seat mounting hardware. If not available, refer to table on right indicating ISO and SAE recommended assembly torque specifications.

### **Torque Specifications GRADE 10.9 (Metric) (Rough equivalent to US Grade 8)**

M 6	.....	7 lb.-ft.....	9.49 Nm
M 8	.....	25 lb.-ft.....	33.8 Nm
M 10	.....	47 lb.-ft.....	63.7 Nm

**If it becomes necessary to replace any bolts or fasteners, use only metric GRADE 10.9 (hardened steel) hardware. Metric grade 10.9 bolts are identified by the number 10.9 on the head.**



**METRIC 10.9  
BOLT HEAD**

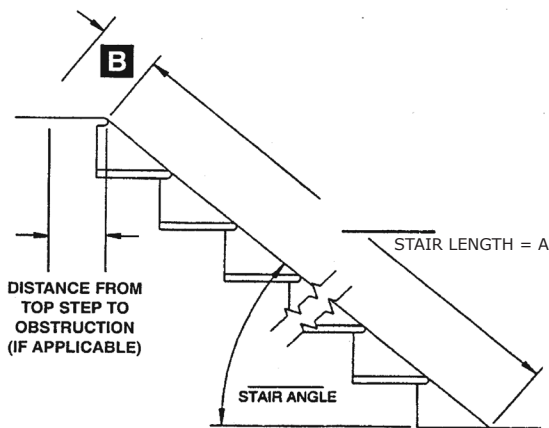
**Bolts without grade markings on the head are not strong enough to be safely used in this application.**

# PRE-INSTALLATION

## SITE REVIEW AND PREPARATION

1. Review site layout. Make sure to note all obstructions.
2. Panel off any open sections of the stairway prior to installation.
3. Determine if stairlift installation side (right or left) **as viewed from bottom of stairs**.

## RAIL MEASUREMENTS



1. Determine exact rail length.

**NOTE: The rail length will determine the seat height at the top of the stairs.**

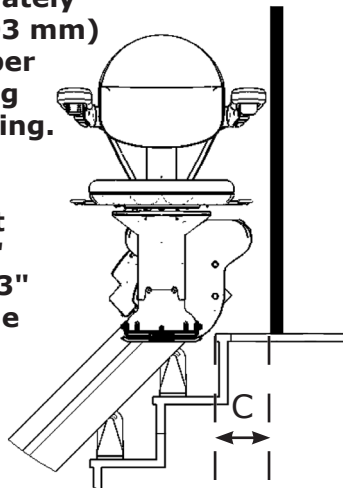
Measure length of stairway by placing a tape measure in a straight line on the stairs from the top step nose to the floor.

(A) Length of Stairway: \_\_\_\_\_

(B) Add 13" (330mm) for a 20" (508 mm) seat height: + \_\_\_\_\_  
 [Add 1.5" (38 mm) for each 1" (25 mm) seat height is increased.]

**NOTE: Chair armrest extends approximately 5 to 8" (127 to 203 mm) beyond rail at upper landing, depending on arm width setting.**

**NOTE: Seat height is adjustable in 1" increments up to 3" (76 mm). See page 38 for details.**



**! For obstacles at top of stairs: See Bruno's Brainshark "Ramping the Rail", and remember:**

**Nose-to-floor + nose-to-door + 2" = Overall Rail Length Required**

OR

Add Stair Length (A) to Measurement (C) (i.e., door) plus 2" (50mm): + \_\_\_\_\_

**Overall Rail Length Required = \_\_\_\_\_**

**NOTE: For units with overspeed brake, add 4" (102mm) to rail length.**

2. Mark *Overall Rail Length Required* on rail, measuring from top of rail downwards.

## RAIL CUTTING GUIDELINES



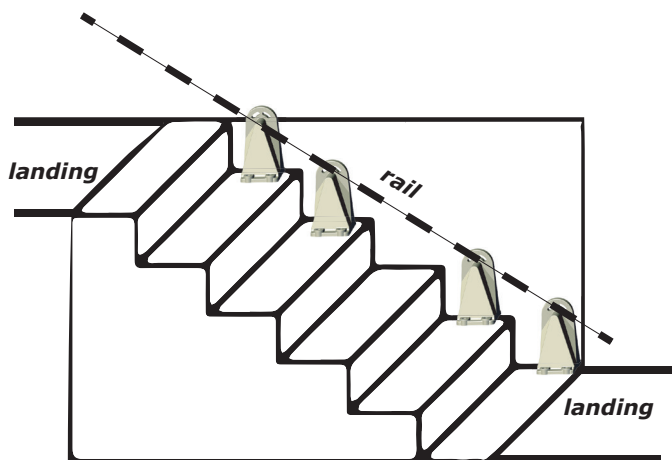
1. NEVER cut a rail shorter than 24" (610 mm). Rails shorter than 24" (610 mm) do not have room for the minimum two (2) rail brackets.

**NOTE: Folding rail assembly - NEVER cut a folding rail assembly shorter than 75" (1905mm).**

2. In two rail installations, if cutting only one rail would result in a length less than 24" (610 mm), cut from both rails as follows:
  - a. Cut at least 12" (305 mm) off one rail.
  - b. Then, calculate the second rail's length by subtracting the length of the newly cut rail from the required overall two-rail length (should be greater than 24"/610 mm).
3. Do not cut rail ends you plan to use for joining two sections together in order to preserve the factory fit at the joint.
4. For a precise and efficient cut, Bruno recommends the use of a cut-off saw

Equip cut-off saw (or other power saw) with a metal-cutting blade **suitable for aluminum and steel**.

## RAIL SUPPORT (Rail Bracket) REQUIREMENTS



1. In multiple-rail installations, use a minimum of two (2) rail brackets to support each rail section.
2. In single-rail installations, use a minimum of three (3) rail brackets to support rail. [This is typically rail-run lengths of ten feet (3 m) or less].
3. In folding rail installations, use a minimum of two (2) rail brackets to support any mid-rail section.

Do not include in this count, the fixed rail bracket (first tread) at the folding joint.

4. No more than three (3) steps in a row without a rail bracket.

# PRE-INSTALLATION

## LOWER RAIL PREPARATION

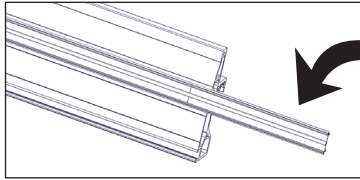


Fig. 1

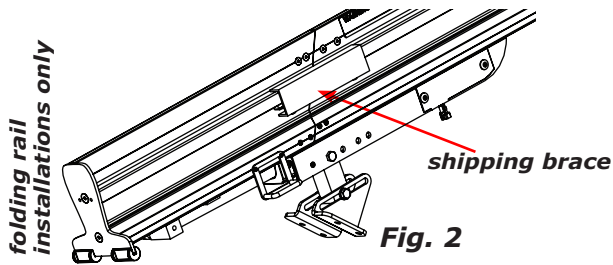


Fig. 2

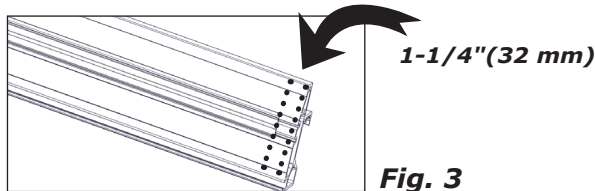


Fig. 3

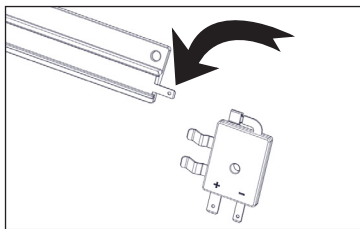


Fig. 4

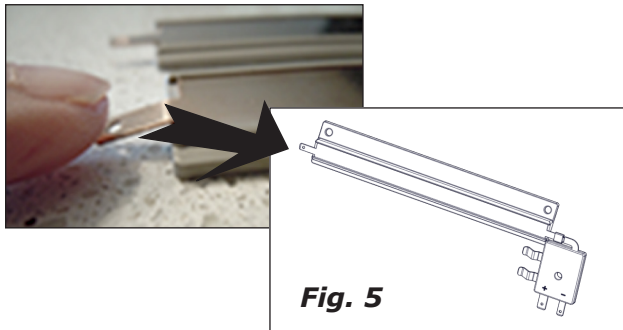


Fig. 5

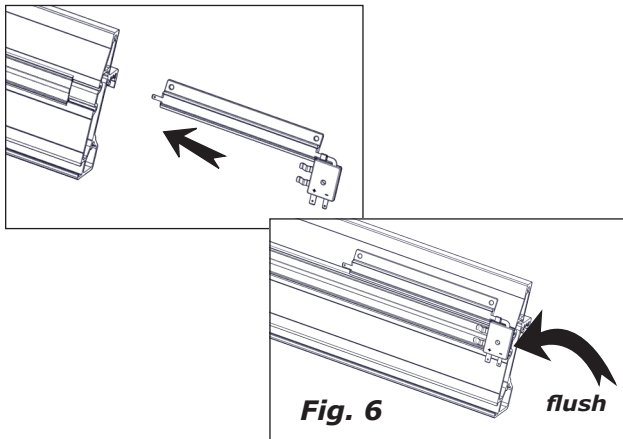


Fig. 6

1. Before cutting rail to length, remove charge strip carrier (Fig. 1). Set aside. Then, cut rail to length required for installation. (See page 6, **Rail Measurements** to calculate.)

**NOTE: Actual rail length for a 16' two-piece rail is 15'-9".**

2. Place flat side of rail on saw horses. Draw a line at desired finished rail length. Carefully align saw with marked cutting line.
3. Cut rail to length.
4. Once rail is cut, deburr cut end using a metal file or other appropriate tool.

**NOTE: Be sure to round edges that might abrade wiring at rail end routed to bumper.**

**For folding rail installations: Keep shipping brace on folding rail, maintaining a closed position (Fig. 2). Next, insert slow down strip into charge contact and fasten with two (2) self-drilling hex head screws. Then, feed charge lead through the hole in the rail out the cut end of the rail. Now, skip to Joint Preparation.**

5. With rail still on saw horses, slide charge strip carrier into back side of rail (Fig. 3). Inset carrier as noted in Fig. 3.
6. Attach charge contact to slow down (communications) strip (Fig. 4).
7. Bend slow down strip tab (at opposite end from charge contact) down slightly (Fig. 5). Do not let tab touch rail!
8. At bottom end of rail, slide charge contact assembly from Fig. 4 into back side of rail (Fig. 6). Assembly will fit snugly against charge strip carrier.

**NOTE: Carrier may be longer than rail at this point.**



## LOWER RAIL PREPARATION (continued)

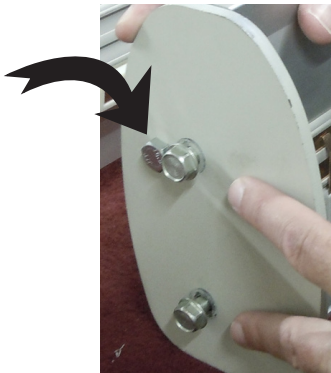


Fig. 6

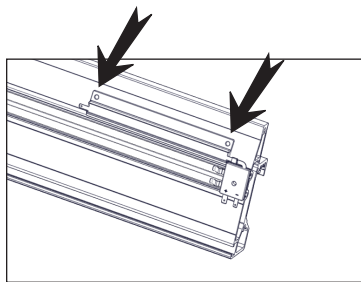
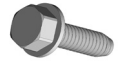


Fig. 7

- Use 1/2" socket to install two (2) 5/16" x 18 self-threading screws to mount the lower rail endplate (Fig. 6). A dab of grease will make installation easier.

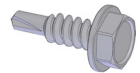


**NOTE: Threaded hole in endplate goes toward front side of rail.**

**NOTE: DO NOT use an impact drill to install these screws.**

- Insert slow down strip into lower charge contact, keeping it parallel to and touching top edge of charge strip carrier.

Using two (2) self-drilling hex head screws, secure slow down strip to rail (Fig. 7).



**NOTE: Make sure slow down strip is parallel to charge strip carrier, and touching top edge of carrier.**

**FOR 1-PIECE RAIL INSTALLATIONS, SKIP TO UPPER RAIL PREPARATION.**

## JOINT PREPARATION

**NOTE: Lower charge contact is assembled at factory for folding rails.**

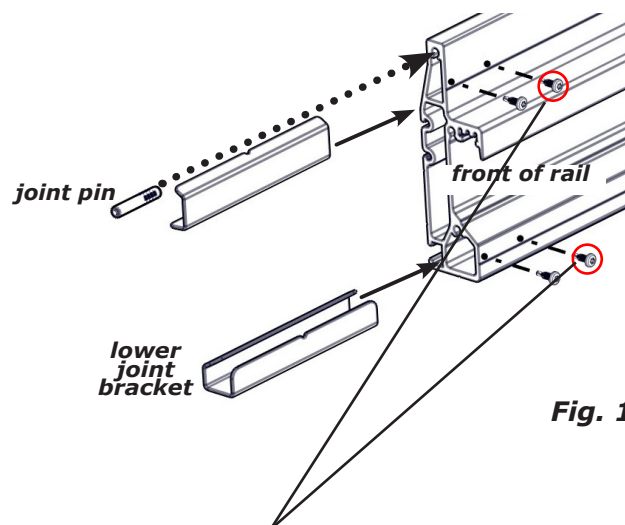
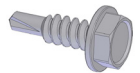


Fig. 1

**Wait to install second screw until after upper rail is installed.**

- Pound barbed end of rail joint pin **halfway** into lower rail (Fig.1).
- Into upper part of lower rail section, insert an upper joint bracket halfway\* in.

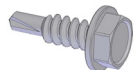
Secure one (1) of two (2) self-drilling hex head screws (Fig. 1).



\* **Both upper and lower joint brackets are notched to indicate halfway point.**

- Into lower part of lower rail section, insert a lower joint bracket halfway\* in.

Secure one (1) of (2) self-drilling hex head screws (Fig. 1).



# PRE-INSTALLATION

## UPPER RAIL PREPARATION

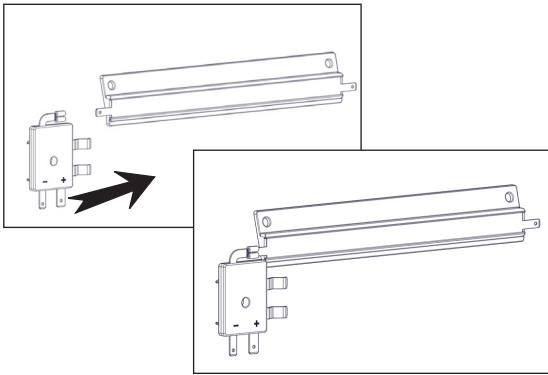


Fig. 1

1. Place upper rail section on saw horses.
2. Attach charge contact to the slow down strip (Fig. 1).
3. If previously removed, slide charge strip carrier into back side of rail.
4. Slide charge contact assembly from Fig. 1 into back side of rail. Assembly will fit snugly against charge strip carrier.

**NOTE: Carrier may be longer than joint end of rail at this point.**



**For standard installations, skip to Step 8.**

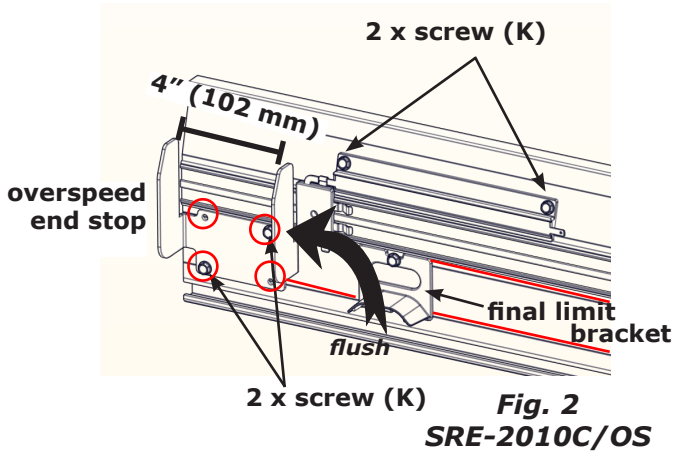


Fig. 2  
SRE-2010C/OS

5. (**SRE-2010C/OS**) Orient overspeed end stop ("U"-shaped bracket) so that four (4) holes circled in red line up with grooves etched in back side of rail as shown by red lines (Fig. 2).
6. (**SRE-2010C/OS**) Position upper leg of "U" flush with end of rail (Fig. 2).
7. (**SRE-2010C/OS**) Use two (2) self-threading screws to mount "U" bracket to rail, one in an upper hole and one in a lower hole (Fig. 2).

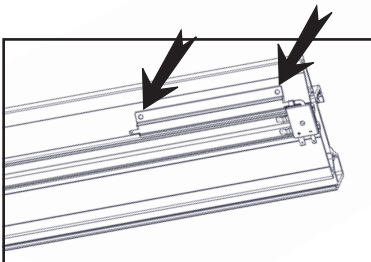


Fig. 3  
Standard

8. Using two (2) self-drilling hex head screws, secure slow down ramp to rail. See Fig. 3 for standard installations, and Fig. 2 for SRE-2010C/OS installations.

**NOTE: Confirm that slow down ramp is parallel to charge strip carrier, and touching top edge of carrier.**

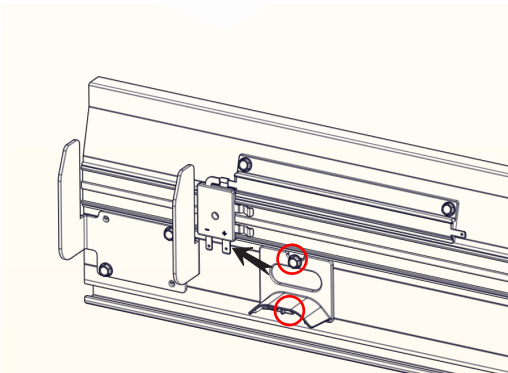


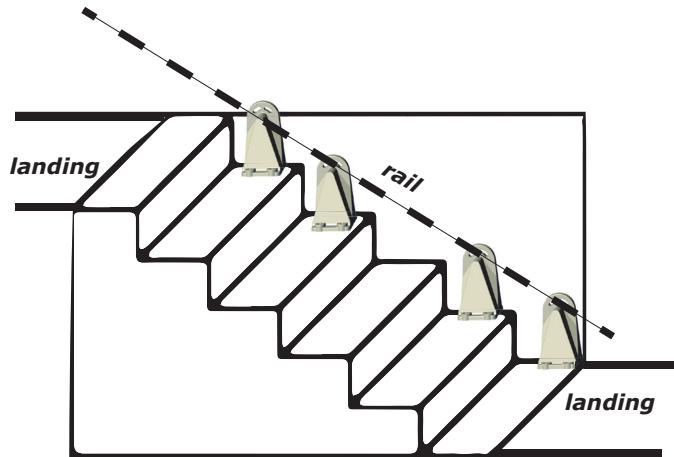
Fig. 4

9. Remove charge contact assembly from rail and save for later use.

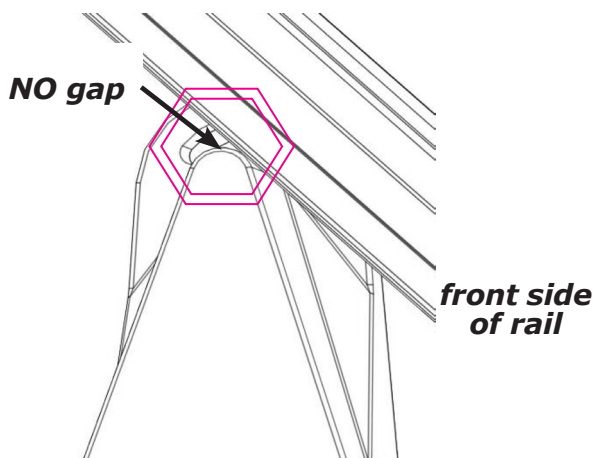
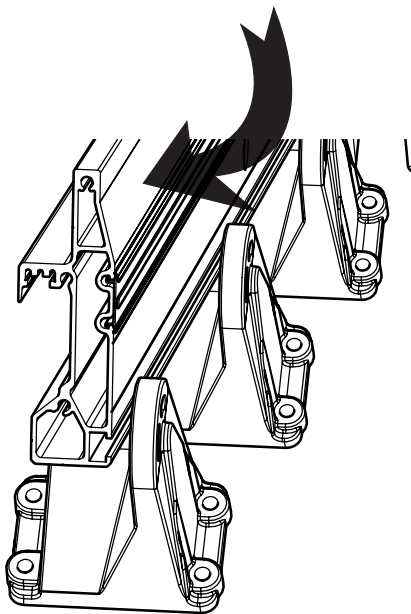
Also remove overspeed end stop from rail if used in a SRE-2010C/OS installation.

10. Mount final limit bracket: Upper edge of final limit bracket should be flush with lower edge of charge contact. Insert a self-drilling hex head screw through each screw hole (in red circles, Fig. 4) on final limit bracket into etched lines on back of rail.

## FINISH PREPARATION



*back side of rail*



1. **Determine rail bracket placement.**  
See Rail Support (Rail Bracket) Requirements on page 7 for guidelines.

Additional rail brackets may be required for longer installations.

Rail brackets may be purchased from Bruno.

2. Locate and open plastic bag marked "Stand feet hardware". These components are used to attach rail brackets to rail.
3. Pre-assemble hardware by inserting bolts into flat washers first and safety washers second.
4. Determine rail bracket-to-rail orientation, which **MUST** match the figures at left.

**Always install rail brackets with long nose facing the center of staircase.**



**NOTE: Failure to install rail brackets in correct orientation may lead to serious personal injury and/or property damage!**

**FOR 1-PIECE RAIL INSTALLATIONS,  
SKIP TO STEP 10 ON NEXT PAGE.**

# PRE-INSTALLATION

## FINISH PREPARATION (continued)



Fig. 1

5. **Join rails, if necessary.**  
Position upper rail section onto lower rail section. **Wiggle the upper section slightly** to make it align properly with lower section (Fig. 1).

**If installation involves a folding rail, feed charge harness through upper rail section before joining rails.**

6. Upper and lower rail sections should now be flush and snug.
7. Secure joint **brackets** to upper rail using two (2) self-drilling hex head screws per bracket, (i.e., etched lines on rail per Fig. 1).

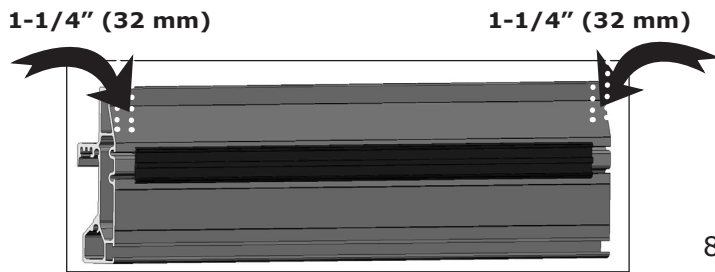
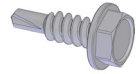


Fig. 2

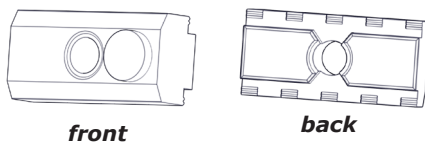
**NOTE: Screws should be located no more than 2-3/4" (70 mm) from the joint if the bracket is installed correctly.**

8. On lower rail, install remaining screws (from Step 2 of Joint Preparation on page 9) in upper and lower brackets.
9. **Add nut bars (Fig. 3).**

With rail on a flat surface, slide one (1) nut bar for each rail bracket into lower rear slot of rail.

If joined rails, add one (1) additional nut bar.

**NOTE: There will be one (1) nut bar per rail bracket plus one (1) directly over the rail joint.**



front

back

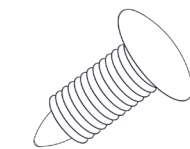
nut bar

Fig. 3

10. **Trim charge strip carrier.**  
Trim 2-1/2" (63.5 mm) shorter than total rail length.

[6-1/2" (159 mm) for SRE-2010C/OS]

**If installation involves a folding rail, insert fin fastener (Fig. 4) into the mid-rail charge strip carrier at the joint. Trim 1.5" (38 mm) shorter than total rail length.**



fin fastener

Fig. 4

**NOTE: For SRE-2010C/OS installations, from leftover piece of carrier, cut a 4" (102 mm) "filler" piece to insert later.**

## **FINISH PREPARATION (continued)**

11. Slide charge strip carrier into back side of rail as shown (Fig 2).

12. ***Install gear rack pieces.***

Continuing to work on a flat surface, ***carefully\*\**** slide gear rack pieces into upper rail until:

(a) last piece extends beyond rail end

OR

(b) last piece is within 1/2" (13 mm) of rail end.

**\*\*Allowing gear rack pieces to "free fall" and land hard will knock joint out of adjustment.**

- **Maximum distance between last tooth of uppermost gear rack piece and rail end is 1-1/4" (32 mm).**

- If last piece extends beyond rail end, cut that piece to length. Mark piece even with rail end, slide it out, subtract 1/2" (13 mm) and cut.

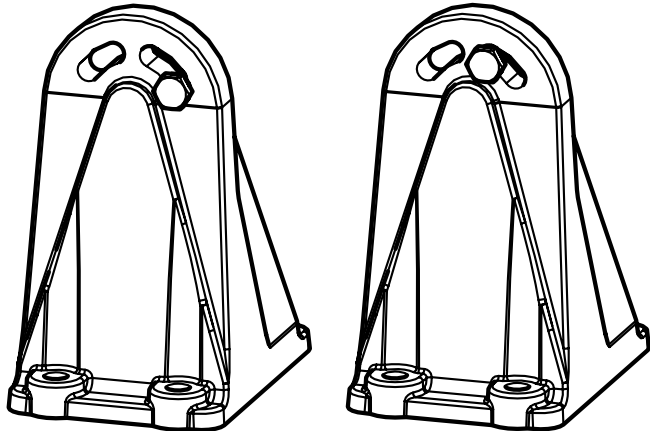
**NOTE: After insertion, remove last gear rack piece (or two) to facilitate carriage installation!**

**NOTE: In order to get the rail to the installation site, in some cases a two-piece rail may need to be separated and rejoined once on the staircase.**

**FOR FOLDING RAIL INSTALLATIONS,  
SKIP TO PAGE 16.**

# INSTALLATION

## RAIL INSTALLATION - NON-FOLDING RAIL



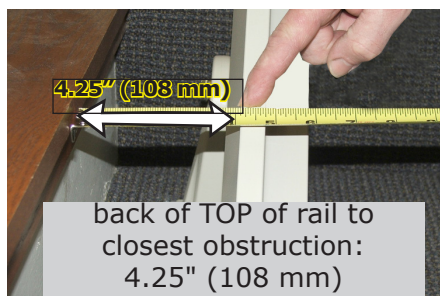
*bolt head correct*

*bolt head incorrect*

**Fig. 1**



**Fig. 2**



**Fig. 3**

1. If not done previously, reconnect two-piece rail installations on staircase.
2. Place rail on stepnoses.

**NOTE: Place heavy toolbox at bottom of stairs to keep rail from sliding.**

**NOTE: Bottom of rail should be 1/8" (3 mm) off floor.**

3. Mount all rail brackets to rail.
  - Tap bolt down in rail bracket slot before tightening (Fig. 1).
  - Torque rail/rail bracket mounting hardware to 25 ft. lb. (34 Nm).
4. Slide rail out horizontally until bottom of rail is off stair stepnose by:
  - no carpet:** 2" (51 mm) *minimum*
  - carpet:** 2.5" (64 mm) *minimum*

**Measure every step** (Fig. 2).

5. Measure from wall side of TOP of rail to closest obstruction (i.e., wall, handrail, etc.):  
4.25" (108 mm) (See Fig. 3.)

**Measure at top, middle and bottom along the length of each rail section.**

6. Begin to anchor rail brackets, starting with rail bracket at top of stairs. Use only two (2) sheet metal screws, one (1) on the wall side first, then one (1) on the stairway side of rail.

**NOTE: Wait to anchor rest of rail brackets until running clearances are checked.**

**NOTE: If bottom of rail is closer than 2" (51 mm) to stair stepnose, remove screws, slide rail horizontally, and refasten rail bracket.**

## RAIL INSTALLATION - NON-FOLDING RAIL (continued)



7. ***Insert charge strips into rail.***

Locate two (2) charge strip coils. Hold one coil firmly to prevent uncoiling, and carefully undo tape securing coil.

8. Using tin snips, cut a 45° bevel on end of charge contact strips (see images at left).

**NOTE: This will make it MUCH easier to insert strip into carrier.**

9. Slide beveled end of charge contact strip into charge contact strip carrier until it sides under lower charge contact.

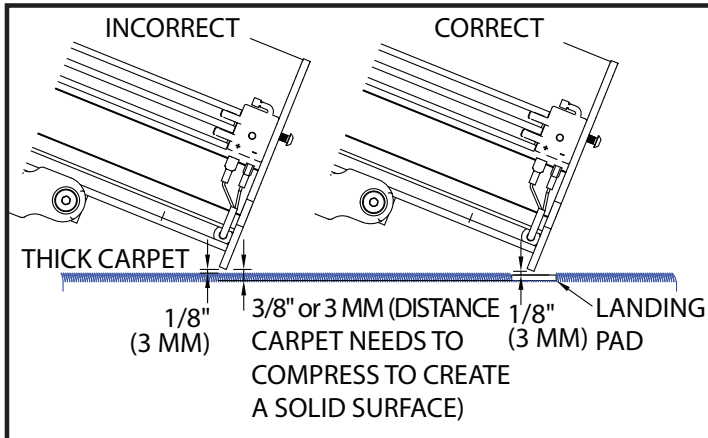
10. Cut off excess charge contact strip flush with carrier.

11. Repeat Steps 7-10 for the second charge contact strip coil.

**SKIP TO CARRIAGE INSTALLATION  
ON PAGE 18.**

# INSTALLATION

## RAIL INSTALLATION - FOLDING RAIL



**Fig. 1**



**adjustable post**

**Fig. 2**



**Fig. 3**

1. If not done previously, reconnect two-piece rail installations on staircase.
2. Place rail on stepnoses.

**NOTE: Place heavy toolbox at bottom of stairs to keep rail from sliding.**

**NOTE: Bottom of rail should be 1/8" (3 mm) off floor. If thick carpeting prevents this (Fig. 1), contact Bruno to purchase kit SRV-3000-038.**


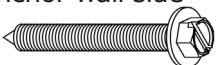
3. Mount upper rail bracket to rail, keeping upper end of rail 2" (51 mm) off stepnose and lower end tight against stepnose.
4. Install remaining rail brackets, including special folding rail bracket (Fig. 2).

5. Slide rail out horizontally until bottom of rail is off stair stepnose by:  
2-1/2" (64 mm) *minimum*

**Check clearance between bottom endplate and floor [1/8" (3 mm) off floor]. If too tight, rail will not close properly. Adjust by loosening bolts on all rail brackets, sliding rail up slightly, and retightening bolts.**

6. Measure from wall side of TOP of rail to closest obstruction (i.e., wall, handrail, etc.):  
4.25" (108 mm)

**Measure at top, middle and bottom along the length of each rail section.**

7. Fasten special folding rail bracket to stair tread using two (2) sheet metal screws  through the stairway side of rail bracket.
8. Remove M10 bolt (circled in red). Set rail off to side (Fig. 3).
9. Lower adjustable post on special rail bracket to set space between front and back bracket feet. Then, anchor wall side of bracket with two (2) sheet metal screws. 

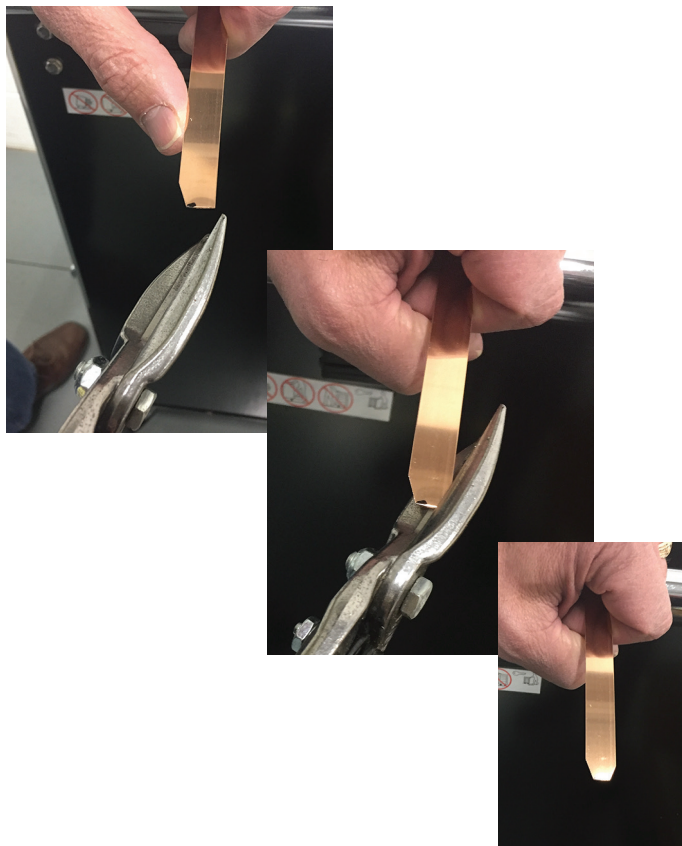


## **RAIL INSTALLATION - FOLDING RAIL (continued)**

10. Replace rail, seating firmly in special rail bracket.
11. Replace M10 bolt to secure rail to rail bracket. Finger tighten plus 1/4-turn.
12. Begin to anchor rest of rail brackets, starting with rail bracket at top of stairs. Use only two (2) sheet metal screws: one (1) on the wall side first, then one (1) on the stairway side of rail.

**NOTE: Wait to anchor rest of rail brackets until running clearances are checked.**

**NOTE: If bottom of rail is closer than 2" (51 mm) to stair stepnose, remove screws, slide rail out horizontally, and refasten rail bracket.**



13. ***Insert charge strips into rail.***  
Locate two (2) charge strip coils in rail installation kit\*. Hold one coil firmly to prevent uncoiling, and carefully undo tape securing coil.

\* Rail Installation Kits:  
SRE-K-2161 for 16' Non-Folding Rails  
SRE-K-2162 for 20' Non-Folding Rails  
SRE-K-2163 for 16'/18' Folding Rails

14. Using tin snips, cut a 45° bevel on end of charge contact strips (see images at left).

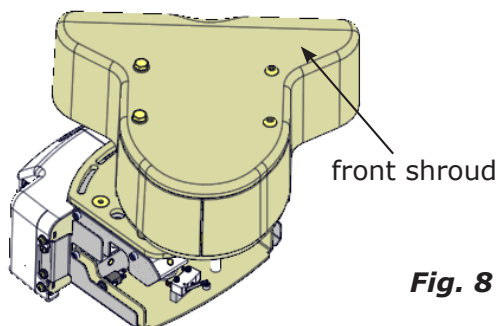
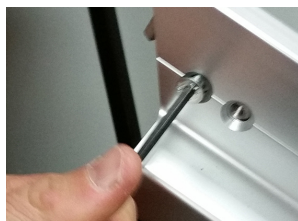
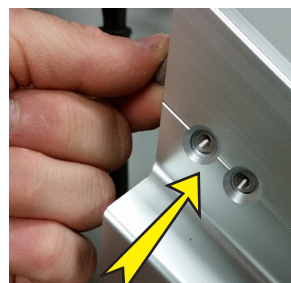
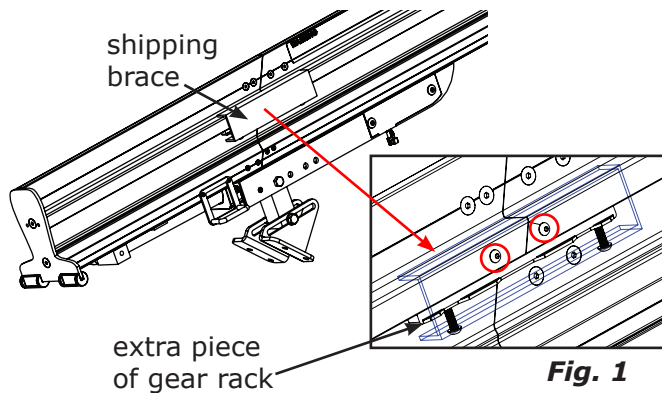
**NOTE: This will make it MUCH easier to insert strip into carrier.**

15. Slide beveled end of charge contact strip into charge contact strip carrier until it slides under lower charge contact.
16. Cut off excess charge contact strip flush with carrier.
17. Repeat Steps 13-17 for the second charge contact strip coil.

**CONTINUE TO CARRIAGE INSTALLATION  
ON PAGE 18.**

# INSTALLATION

## CARRIAGE INSTALLATION



**NOTE:** Before installing carriage, check angle of stairs. If less than 25°, it is easier to adjust carriage with it off the rail. See chart on page 41.

### Prepare Rail

1. Turn OFF circuit breaker (Fig. 9).
2. Remove upper charge contact from rail.
3. Remove top two (2) gear rack segments to facilitate sliding carriage on rail.
4. Before installing carriage, use a 4mm hex key to remove two (2) button head screws from shipping brace on folding rail and extra piece of gear rack (Fig. 1).
5. Make sure distance between folding rail and ground is NO MORE THAN 1/8" (3 mm). The closer to the ground, the better (Fig. 2)!
6. Raise short rail to provide access to latch installation location (Fig. 3).
7. Insert latch, aligning holes (Fig. 4).

**NOTE:** Spacer plate should contact rail extrusion when installed.

8. Hold latch in position while inserting screws (Fig. 5).
9. Using 4 mm Allen wrench, tighten two screws (Fig. 6).

**NOTE:** Make sure the screws are tight and properly seated!

10. Lower short rail to ground (Fig. 7).
11. **Install carriage on rail.**

**Tip:** Remove front shroud (Fig. 8) to make it easier to transport the carriage, OR... lift and carry carriage as shown in Fig. 9. NEVER lift up by carriage switch housing!

- a. Slide carriage onto rail until it meets gear rack.
- b. Cut cable tie securing decal sheet and key to circuit breaker.
- c. Remove serial number decal from sheet and apply it to seat as instructed on decal sheet.

## CARRIAGE INSTALLATION (continued)

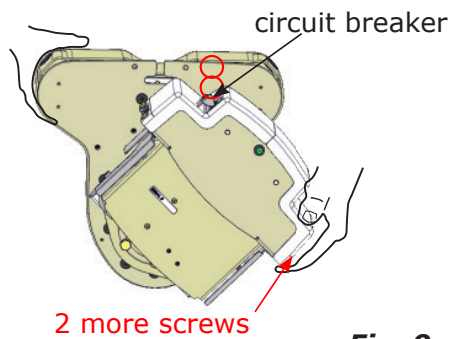


Fig. 9

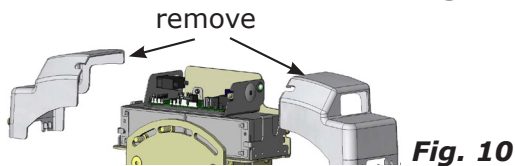


Fig. 10

- d. Remove four (4) Phillips screws (noted in red in Fig. 9). Then, remove two (2) halves of top carriage cover (Fig. 10).
- e. Turn circuit breaker ON, then carriage keyswitch.
- f. **(left-hand installation)**: Connect 3-pin and 6-pin jumpers.
- (right-hand installation)**: Connect 3-pin, 6 pin and 12-pin jumpers
- g. Using remote, power carriage onto gear rack approximately 6" (15 cm).

***If you power the carriage onto rail too far, you won't have easy access to hardware on back of carriage for angle adjustment.***

## FOOTREST INSTALLATION

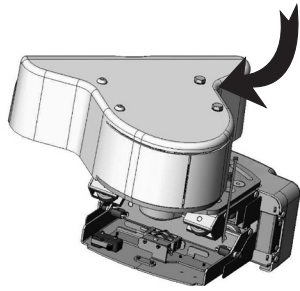


Fig. 1



Fig. 2



Fig. 3

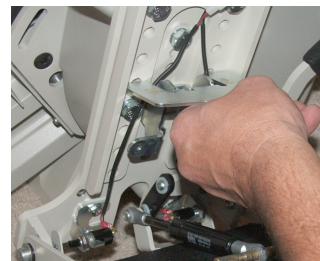


Fig. 4



Fig. 5

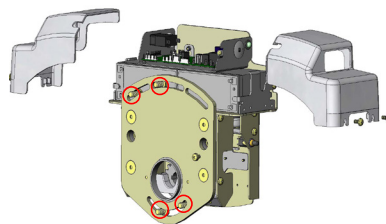


Fig. 6

*\*Some carriage components have been removed for illustration purposes.*

1. **Mount footrest to carriage.**
  - a. Remove two (2) hex head bolts from front of carriage (Figs. 1 and 2).
  - b. Secure footrest to carriage using two (2) hex head bolts.
  - Torque to 50 ft-lb (68 Nm).**
  - c. Insert pin in gas spring (Fig. 3).
  - d. Fold footrest to approximately 45°.
  - e. Rotating tool downward, gently push pin into notches on gas shock bracket (Fig. 4 and 5).
  - f. Remove pin insertion tool and set aside.
2. **Level footrest.**
  - a. Move carriage to top of rail.
  - b. Lower footrest.
  - c. Place a level on footrest pan.
3. Adjust carriage angle:
  - a. Loosen (**but do not remove**)\* four (4) bolts circled in red (Fig. 6).

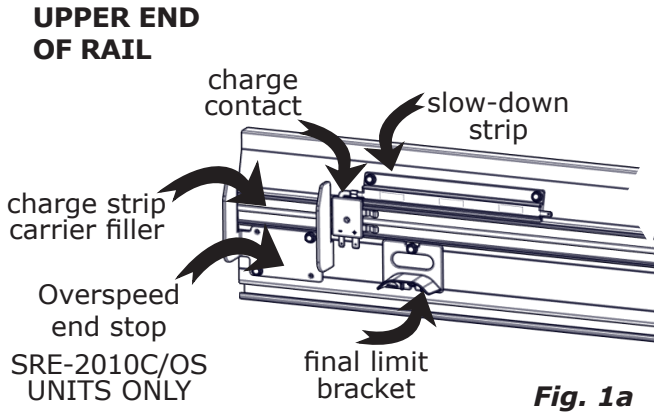
**NOTE: For some installations, you WILL remove (and reinstall) two (2) top bolts. See Carriage Adjustment section at back of manual.**

  - b. Rotate carriage to correct angle.
  - c. Tighten four (4) previously-loosened bolts to a torque of 50 ft-lb (68 Nm).
4. Reinstall carriage covers (removed in Step 1) **before** installing seat.

# INSTALLATION

## COMPLETING RAIL INSTALLATION

### left-hand installation



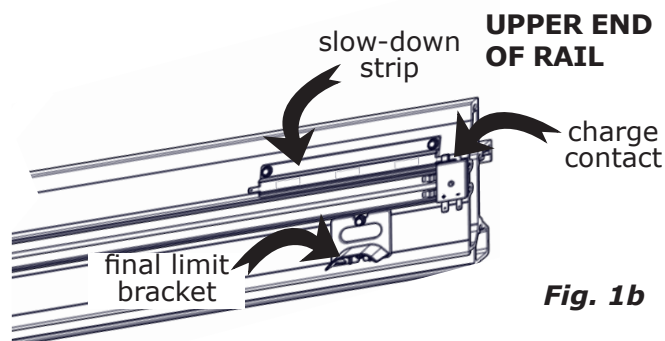
1. Insert remaining gear rack pieces, cutting if necessary.
2. Add charge contact.
  - a. Slide charge contact into rail and connect to slow down contact (Figs. 1a and 1b).

### SRE-2010C/OS UNITS:

Mount overspeed end stop and 4" (102 mm) charge strip carrier filler piece cut previously.

**CONTINUE TO PAGE 22 IF NO FOLDING RAIL IS INVOLVED.**

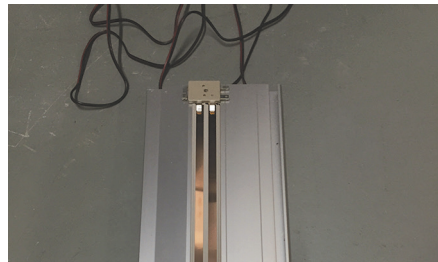
### right-hand installation



## COMPLETING RAIL INSTALLATION (continued)



**Fig. 3**



**Fig. 4**



**Fig. 5**



**Fig. 6**



**Fig. 7**



**Fig. 8**

3. Insert last gear rack section into upper rail.

### ***For folding rail installations:***

**Fish black charge cable up through upper rail (see Figs. 3 and 4).**

**Cable wires will fit between spacer and end of rail.**

**Connect charge harness to charge contact and charger (Fig.5).**

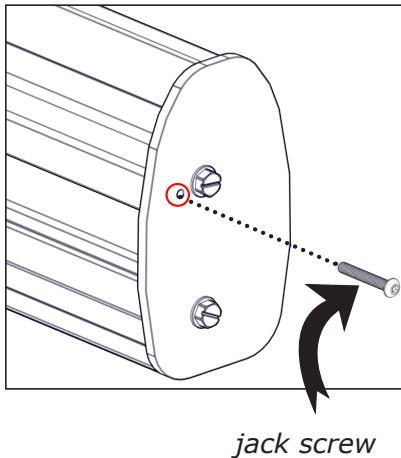
**Stuff remaining harness into end of rail (Fig. 6).**

**Mount provided spacer endplate (in kit SRE-K-3050) between top of endplate and end of rail to prevent damage to components (Fig. 7).**

**See Fig. 8 for a finished endplate example.**

# INSTALLATION

## COMPLETING RAIL INSTALLATION (continued)

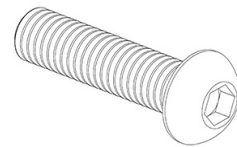


#### 4. **Add top endplate.**

Use a 1/2" socket and ratchet to mount top endplate using two (2) 5-16" - 18x1" self-threading hex head screws.

#### 5. **Insert jack screw.**

Two (2) M6 socket button head cap screws (i.e., jack screws) are provided for pressure-loading the gear rack. One is 25 mm long and one is 40 mm long.



Use table below to determine which screw to use.

Distance from last full gear rack segment to end of rail	M6 x 25 mm screw	M6 x 40mm screw
1/2" (12mm) or less	X	
1/2" (12mm) to 1 1/4" (32mm)		X

Jack screw may be inserted into either top or bottom endplate.

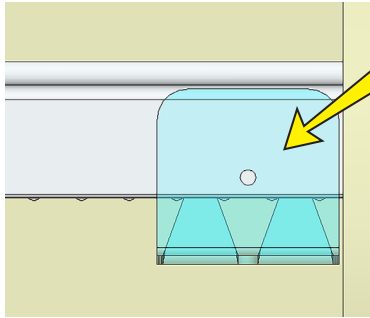
**NOTE: Do NOT overtighten!**  
Finger tighten screw until screw contacts gear rack.  
Then, use hex wrench to tighten no more than one complete turn.

**NOTE: Jack screw will NOT be flush with endplate.**

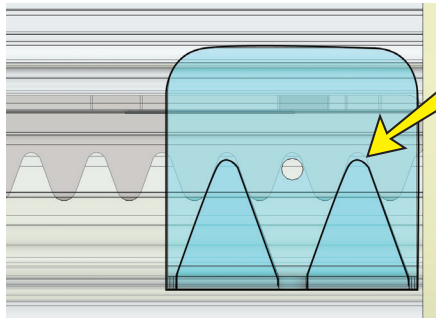
6. Plug charger into a live, properly-grounded 120V AC outlet.

7. Turn charger switch ON.

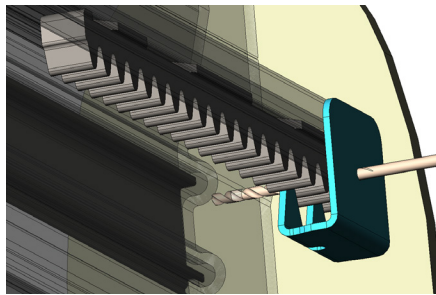
## RAIL CROSS PIN INSTALLATION



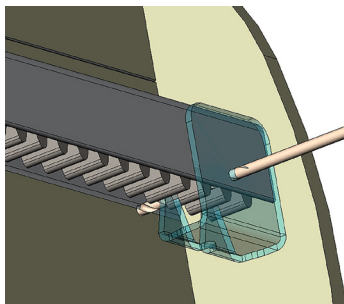
**Fig. 1**



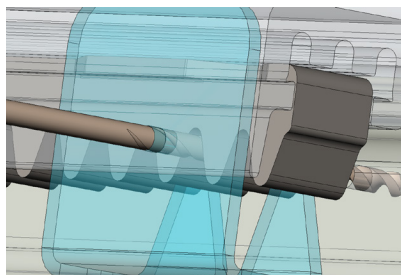
**Fig. 2**



**Fig. 3**



**Fig. 4**



**Fig. 5**

**NOTE: Install rail cross pin *after* jack screw has been properly tightened.**

1. At bottom end of rail (base of stairs), position SRE Cross Pin Drill Template after first tooth of first gear rack. Template hole should be up against the part of the extrusion covering the gear rack (Fig. 1). Template "teeth" should fit up against the gear rack valleys (Fig. 2).

2. Using a 1/8" (3.2mm) drill bit (Bruno P/N: DRB-13001, provided with kit SRV-3000-023), place a hole in 2 walls of the extrusion (Figs. 3 and 4). Do not drill through entire extrusion.

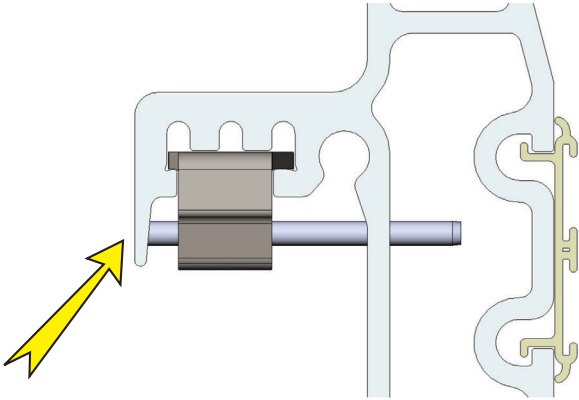
**NOTE: Drill bit will not make contact with gear rack (Fig. 5).**

# INSTALLATION

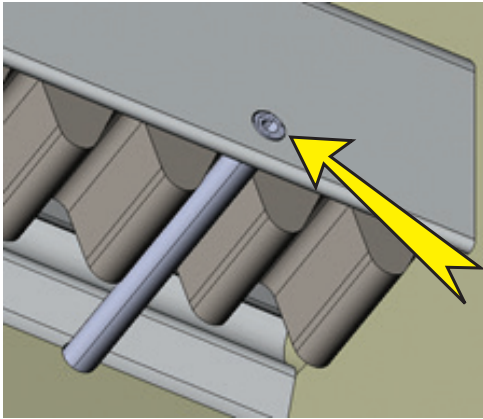
---

## **RAIL CROSS PIN INSTALLATION (continued)**

3. Once hole is drilled, place pin into rail extrusion (Fig. 6). Make sure pin is flush with outside of extrusion (Fig. 7).



**Fig. 6**



**Fig. 7**

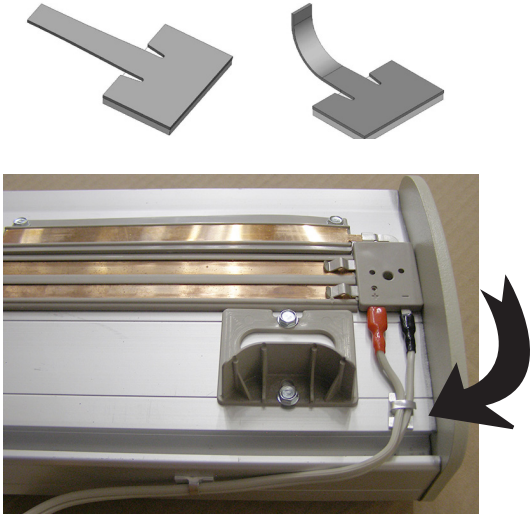
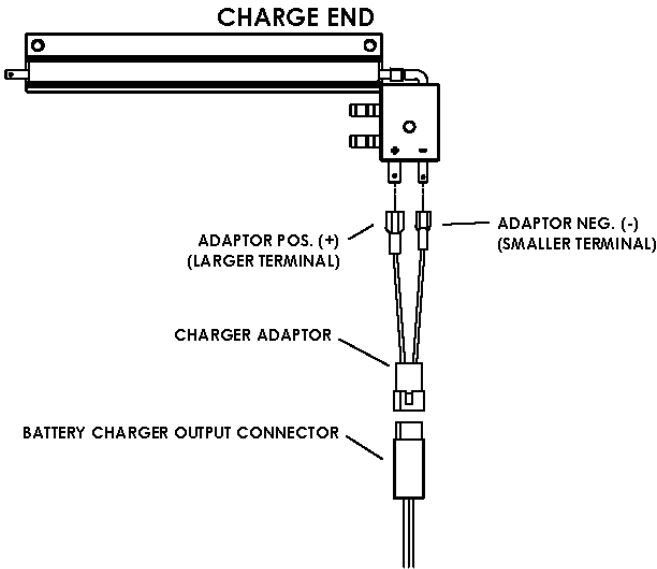


## MAKE CHARGER CONNECTIONS - NON-FOLDING RAIL

1. Connect wires from charger to charge contact assembly. (See figure at left.)
2. Attach adhesive wire clip to rail and fold tab over wires as shown below.

CONFIGURATION SHOWN:  
1) LEFT-HAND INSTALLATION WITH CHARGER AT BOTTOM.  
2) RIGHT-HAND INSTALLATION WITH CHARGER AT TOP.

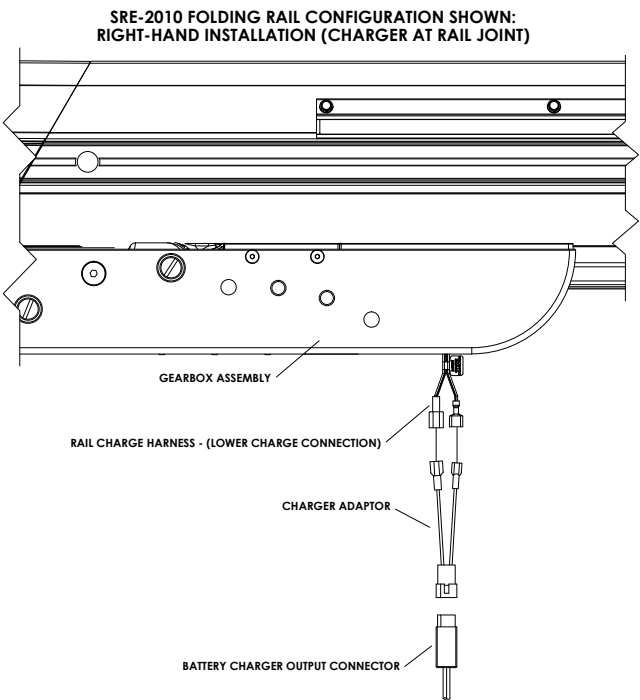
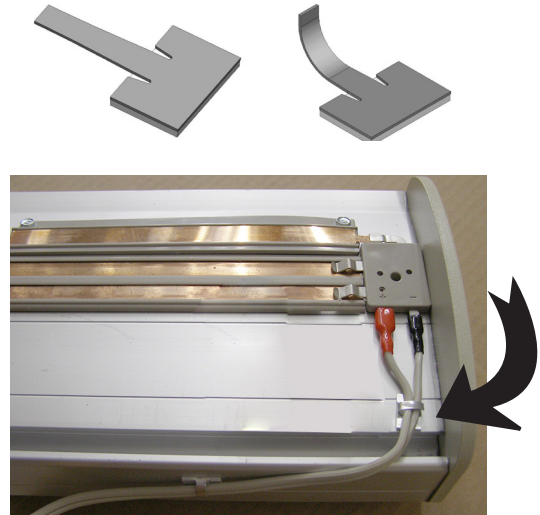
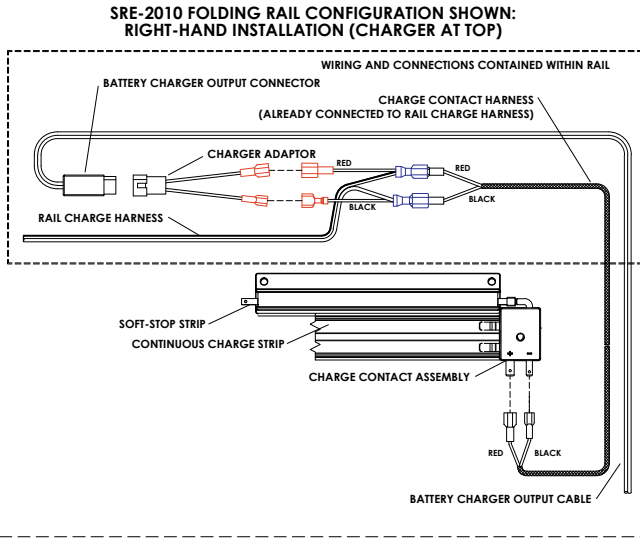
### SRE-2010 (ELITE) CHARGER CONNECTION



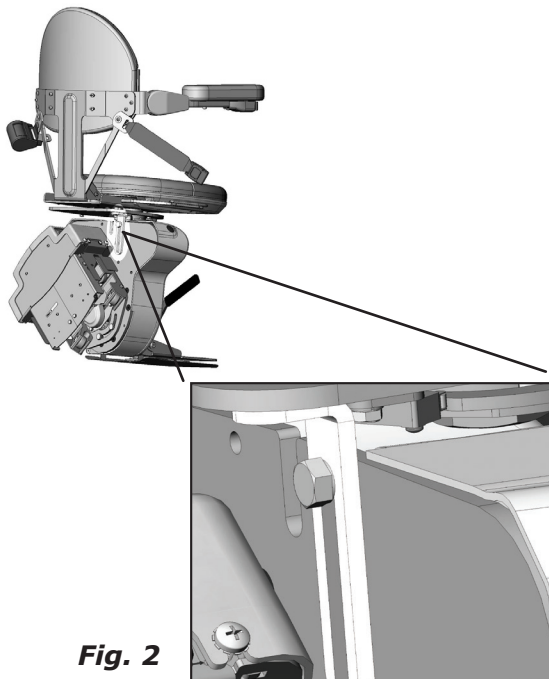
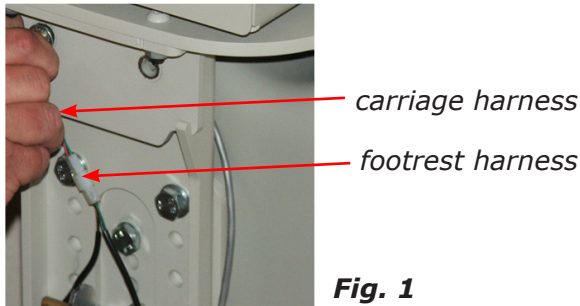
# INSTALLATION

## MAKE CHARGER CONNECTIONS - FOLDING RAIL

1. Connect wires from charger to charge contact assembly. (See figures at left.)
2. Attach adhesive wire clip to rail and fold tab over wires as shown below.



## SEAT INSTALLATION



1. Remove and save shipping jumpers from carriage harnesses.

Connect 2-pin connector from carriage to footrest harness (Fig. 1).

2. ***Mount rear seat support bracket.***

See Fig. 2 for location.

Use an M-10 bolt and safety lockwasher.

**Do not tighten at this time.**

3. ***Mount seat on carriage.***

Tilt seat forward slightly, and set into notches of adjustable seat bracket (Fig. 3).

4. Connect remaining two (2) wiring harnesses:

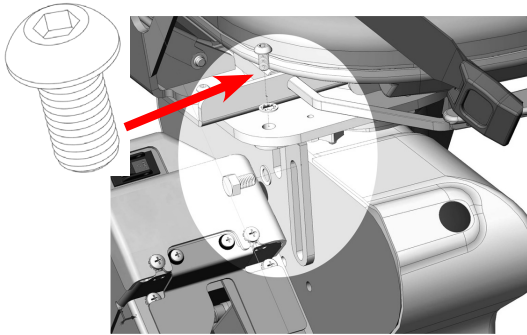
- 6-pin: seat swivel to rocker switch
- 12-pin: seat swivel to diagnostic board

5. ***Loosely secure seat.***

Insert two (2) hex head bolts and washers through front seat bracket holes (Fig. 4).

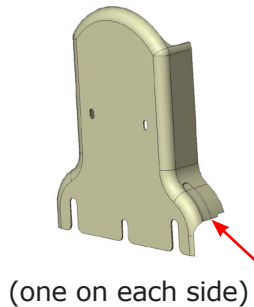
# INSTALLATION

## SEAT INSTALLATION (continued)

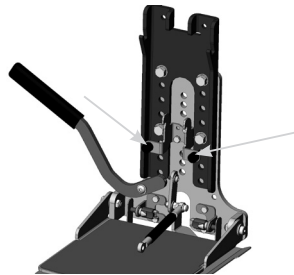


**Fig. 3**

6. Rotate seat to gain access to Allen head screw hole above seat support bracket (Fig. 3).
7. Insert and tighten Allen head screw.
8. While pulling seat back slightly forward, fully tighten M-10 seat support bracket bolt from Step 1.

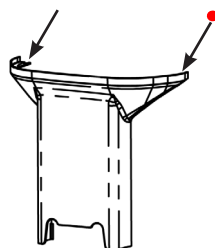


**Fig. 4**



**Fig. 5**

9. Tighten bolts inserted in Step 4.
10. **Mount footrest cover.**
  - remove cutout for footrest lever (Fig. 4);
  - remove two (2) footrest bumpers (Fig. 5);
  - place lower footrest cover against bracket;
  - reinsert bumpers.



**Fig. 6**

11. Loosen (**but do not remove**) two (2) top 10mm footrest top shroud nuts (Fig. 6).
12. Slide top footrest cover under nuts loosened in Step 10.
13. Tighten two (2) top nuts.

## SEAT INSTALLATION (continued)

 <b>WARNING</b>
<b>RISK OF INJURY!</b>
Do NOT ride the stairlift until all rail brackets are properly secured.
Failure to observe this warning could result in injury or damage to equipment.

14. Turn circuit breaker ON.

15. Turn key to ON.

16. Lower footrest.

17. Using arm rocker switch, run seat and carriage down rail to check for proper clearances:

*footrest-to-step nose* - approx. 1/2 - 3/4"  
(12-19 mm)

*seat-to-wall/obstruction* - 1/2" (12 mm)

Adjust as needed.

18. If the clearances are correct, firmly secure remaining rail bracket to stairs.

***Always secure back screws of rail brackets first!***

## LUBRICATE GEAR RACK



1. Run carriage up and down rail several times.

2. Apply a thin layer of white lithium grease (provided) **on gear rack ONLY**.

*Repeat often if unit is used very frequently or is used in a harsh environment.*

3. Regular cleaning will keep rail and rack free of dust and dirt.

# INSTALLATION

## BATTERY CHARGER INSTALLATION

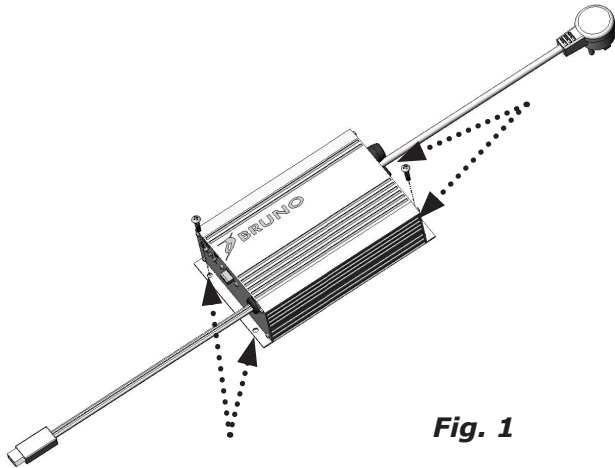


Fig. 1

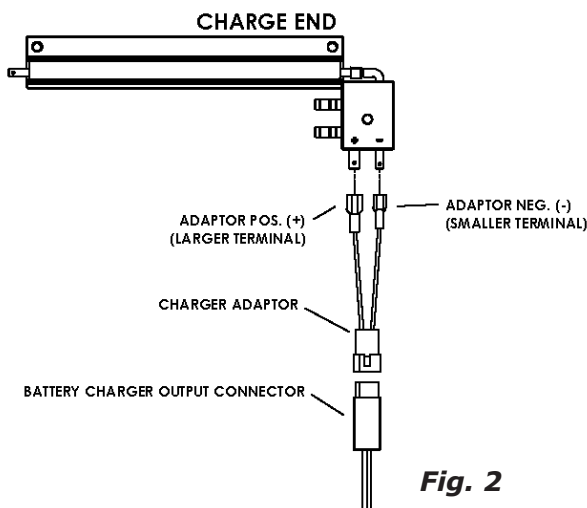
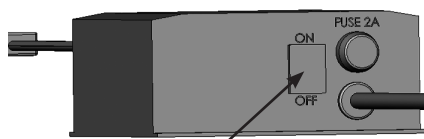


Fig. 2



charger power switch Fig. 3

1. Secure charger in chosen location by inserting two (2) provided screws through mounting holes in charger base (Fig. 1).

**NOTE: There are two (2) mounting holes on each side of charger base. Choose one of the two on each side.**

2. Connect power cord to nearest wall/floor outlet.

3. Connect battery charger output harness to rail charge connector using provided adaptor (Fig. 2).

4. Cable tie adapter wires to rail charge connector.

5. Bundle together loose wires.

6. Turn ON the charger power switch (Fig. 3).

**NOTES: If batteries become discharged, carriage will move more slowly until voltage drops to a point where controller will shut off.**

**If this happens, pause, then run carriage "down" until it engages charge contacts.**

**Partially charged batteries will run carriage "down", but not "up".**

**Confirm that charger is plugged into a "live" outlet and wait for batteries to recharge.**

## **FIT AND FINISH**

### ***Run carriage up and down rail to:***

- Recheck seat-to-wall clearance.
- Check correct operation of all components.

### ***Test main components:***

- Check proper operation of battery charger (see page 37).
- Check remote transmitters (see **Reprogramming Remote Transmitters** on page 34).
- Check on/off switch.
- Check footrest safety switches.
- Check that stairlift cannot operate with seat swiveled.
- Check carriage end safety switches.

### ***Test power folding rail (if applicable):***

- Check that when disable switch is turned off that rail cannot fold.
- Listen for continuous beep when folding rail is in motion. (This warns nearby people of rail operation.)
- Check that control box light flashes yellow.

### ***Make final adjustments (see Post-Installation Adjustments):***

- Adjust seat height.
- Adjust footrest.
- Adjust seat arm extension.

# INSTALLATION

## CUSTOMER EDUCATION

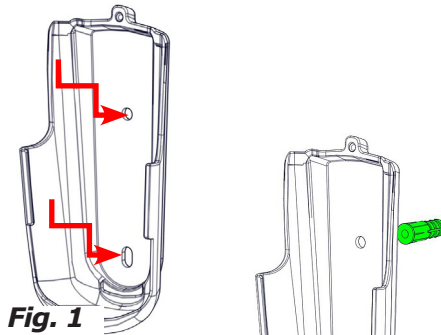


Fig. 1

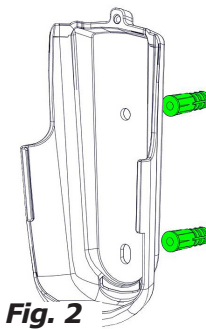


Fig. 2

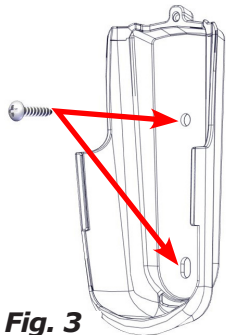


Fig. 3



Fig. 4



Fig. 5

1. Inform customer of location of Operator's Manual. Encourage them to become familiar with the contents.

2. **Mount Remote Transmitter with OPTIONAL TMR-00005 kit:**

- Discuss bracket location with customer before mounting to wall.
- Position bracket on wall. Mark top and bottom bracket holes (Fig. 1).
- Drill a pilot hole slightly smaller than anchors provided.
- Gently pound anchors into wall with rubber mallet.
- Position bracket on wall so top/bottom bracket holes align with anchors (Fig. 2).
- Secure bracket to wall using screws provided (Fig. 3).
- Slide transmitter into bracket (Fig. 4).
- *Optional:* Install additional screw provided to prevent removal of transmitter from bracket (Fig. 5).

3. **Test remote transmitters.**

- Use rocker switch on seat armrest to run unit up and down the rail.

**NOTE: Unit should travel noticeably faster going up than down.**

- Check for smooth operation and travel.
- Use remote transmitter to run unit up and down rail.
- Repeat Step 3 with second transmitter.
- Check for smooth operation and travel.



## CUSTOMER EDUCATION (continued)

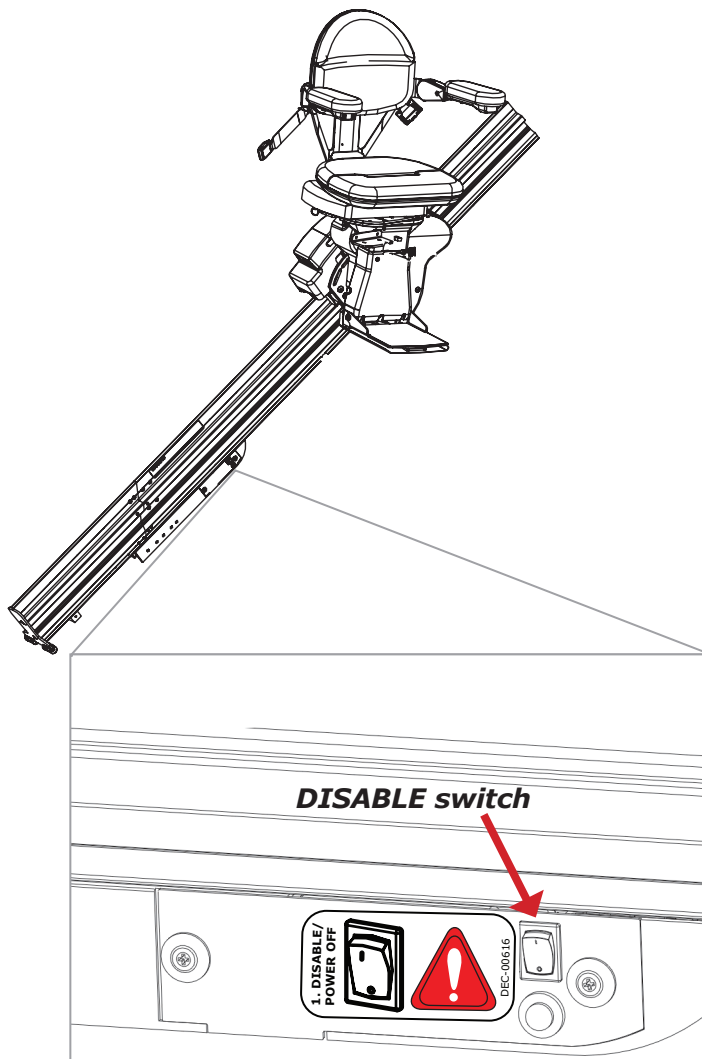
**⚠ WARNING**

**PINCH POINT!**

Make sure the areas above and below the folding rail are clear before operating the folding rail.

Keep children and pets at a safe distance.

Failure to observe this warning could result in injury or damage to equipment.

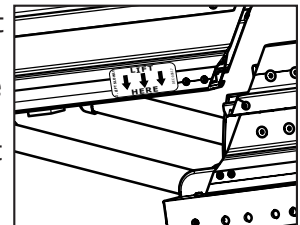


### 4. **Train customer to use stairlift correctly and safely.**

- Remind them to always buckle lap belt when using stairlift.
- Have them operate unit while you are there to answer questions and address concerns.
- **Manual Folding Rail:**  
When folding the rail UP, carriage **MUST** be at a position that allows rail to fully fold up!
- **Damage to carriage WILL occur** if carriage is below mid-park position when rail is folded up.
- **Power Folding Rail:**  
Will **only** work when carriage is at mid-park position.

### **Review disable switch.**

- Control panel includes a disable switch. Press switch toward DISABLE to prevent rail from folding up. Use this switch if rail is to be kept folded down for an extended period of time.
- The disable switch also allows back drive of power in the unlikely event of an emergency.
- Make sure to lift slowly where indicated by the "LIFT HERE" decal on the short rail. Lifting the rail in a quick, sudden motion may result in damage to the folding rail gearbox.
- Press switch AWAY from DISABLE to allow rail to fold and unfold correctly under power.



**NOTE: If power folding rail stops, then slightly reverses direction, and there are NO OBSTRUCTIONS, call Bruno Technical Service.**

## REPROGRAMMING REMOTE TRANSMITTERS

**NOTE: Operating channel of two (2) transmitters included with SRE-2010 is pre-set at the Bruno factory.**

*Reasons for reprogramming transmitters:*

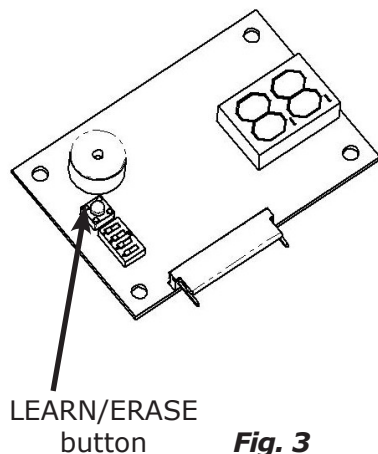
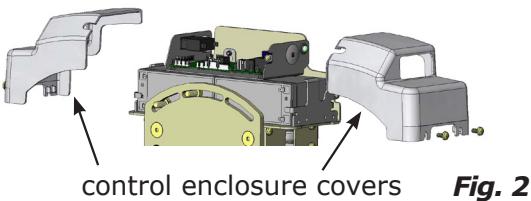
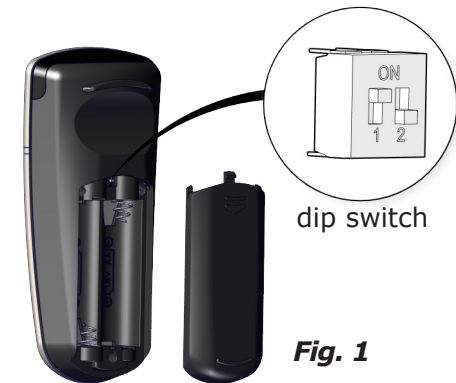
- multiple units in same location;
- transmitters need to be replaced.

**Reset operating channel of transmitters:**

1. Remove transmitter(s) battery access panel.
2. Locate DIP switch (Fig. 1).
3. Change BOTH transmitter DIP switches to one (1) of four (4) possible options.
  - **1 up, 2 down (default factory setting)**
  - **1 up, 2 up**
  - **1 down, 2 up**
  - **1 down, 2 down**

**Reprogramming transmitters:**

1. Turn circuit breaker OFF.
2. Remove seat hinge plate cover to expose circuit board.
3. For left-hand unit, remove lower side control enclosure cover (Fig. 2); for right-hand unit, remove upper side control enclosure cover to view LEARN/ERASE LED on circuit board.
4. Turn circuit breaker ON. Wait for "power-up" beep.
5. Locate LEARN/ERASE button on circuit board (Fig. 3).
6. **Clear memory.**
  - Hold down LEARN/ERASE button until the LED on circuit board goes out (approximately 12 seconds).



## **REPROGRAMMING REMOTE TRANSMITTERS (continued)**


7. Press and hold LEARN/ERASE button (LED on circuit board is on). As LEARN/ERASE button is pressed down, press either of the remote transmitter buttons until LED goes out (approximately 2-5 sec.).
8. Release both buttons. Remote is now reprogrammed.
9. ***Test transmitter operation*** by pressing either transmitter buttons.
  - *If carriage moves, new configuration has been accepted and transmitter is reprogrammed.*
  - *If carriage does not move, repeat Steps 6 through 9.*
10. Check that all transmitters are set to same DIP switch configuration.

**NOTE: It is only necessary to reprogram one transmitter if all transmitter DIP switches are set the same.**

11. Turn circuit breaker OFF.
12. Remount the control enclosure cover(s) and the seat hinge plate cover.
13. Turn circuit breaker ON. Verify operation of all functions.

## SINGLE-USER VS. MULTI-USER DIAGNOSTIC MODE

**NOTICE:**



Before touching anything inside carriage assembly, ground yourself by touching an unpainted metal surface on unit such as an exposed bolt, or one of the mounting screws on electrical panel.

While working, periodically touch an unpainted metal surface to dissipate any static electricity that could harm internal components.

**NOTES: Units ship in multi-user mode.**

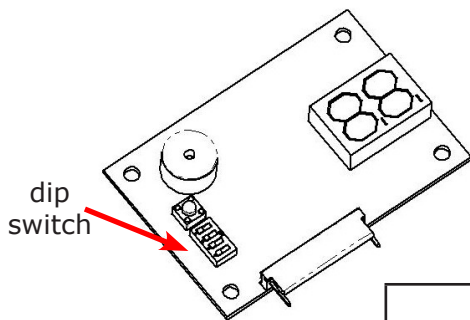
**Multi-user mode means that when seat is swiveled at top of rail, unit beeps once every three (3) seconds.**

**Single-user mode means that when seat is swiveled at top of rail, no beeps are heard.**

<b>AUDIO REFERENCE</b>	
Chirp	0.25 second
Short Beep	0.50 second
Long Beep	1.50 seconds
Pause	1.00 second

### ***Changing Multi-User to Single-User Mode***

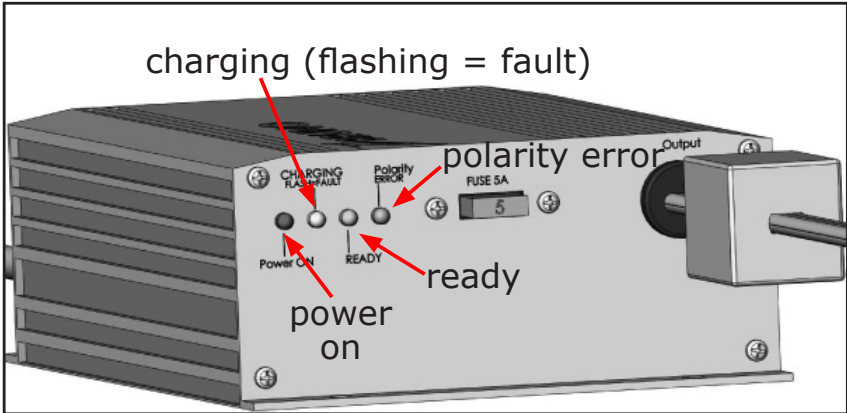
1. Turn circuit breaker OFF.
2. Fold up seat. Remove screws securing seat hinge plate cover to provide access to interface.
3. Changes are made via the #1 and #2 positions on 4-Ganged DIP Switch (see chart below).
4. Remount the seat hinge plate cover.
5. Turn circuit breaker ON, wait for 'power-up' beep.



### **4 GANGED DIP SWITCH**

<b>DIAGNOSTIC MODE</b>	<b>DIP SWITCH POSITION</b>	
	<b>#1</b>	<b>#2</b>
Multi-User	OFF	OFF
Single-User	OFF	ON
Quiet	ON	OFF
Battery Warnings Only	ON	ON

**BATTERY CHARGER LED INFORMATION**



**6) LED indicators (status and color):**

STATUS	RED	YELLOW	GREEN	blue	COMMENT
AC Power On without any battery connected	ON	ON (< 1 sec.) OFF	OFF	OFF	Charger has not been connected to any batteries.
AC Power On	ON (< 5 sec.)	ON (< 5 sec.)	ON (< 5 sec.)	OFF	This feature detects any battery disconnect situation and has a 5 sec. delay until yellow & green are completely off.
Event battery disconnect	ON	OFF	BLINK (5 sec.)	OFF	
Bulk Charge (Constant current)	ON	ON	OFF	OFF	At this stage the charger is delivering max current (2.2 A)
Constant Voltage	ON	ON	OFF	OFF	At this stage the charger has reached maximum voltage and current continues to drop.
Float Charge	ON	OFF	ON	OFF	At this stage batteries are fully charged. The Yellow LED turns occasionally off.
Abnormal Conditions:				OFF	This feature indicates that the battery voltage is not climbing to acceptable level
Low Voltage Indication	ON	BLINKS ALTERNATELY	BLINKS ALTERNATELY		
Bad Battery/Sulfation	BLINKS ALTERNATELY	BLINKS ALTERNATELY	OFF		
Bad contact / Partial battery sulfation	ON	OFF	FAST BLINK		This feature indicates a partially open circuit. Bad contact or battery sulfation
Battery connector reverse				ON	

# POST-INSTALLATION ADJUSTMENTS

## FOOTREST HEIGHT ADJUSTMENT



1. Remove four (4) M10 x 16mm bolts.
2. Loosen seat support bracket bolt (M10) connecting seat to carriage.
3. Slide seat up or down.
4. Line up holes on seat post with holes on footrest mounting plate at desired height.
5. Reinsert M10 x 16mm bolts and corresponding washers.
6. Tighten.
7. Retighten seat support bracket bolt connecting seat to carriage.

### NOTES:

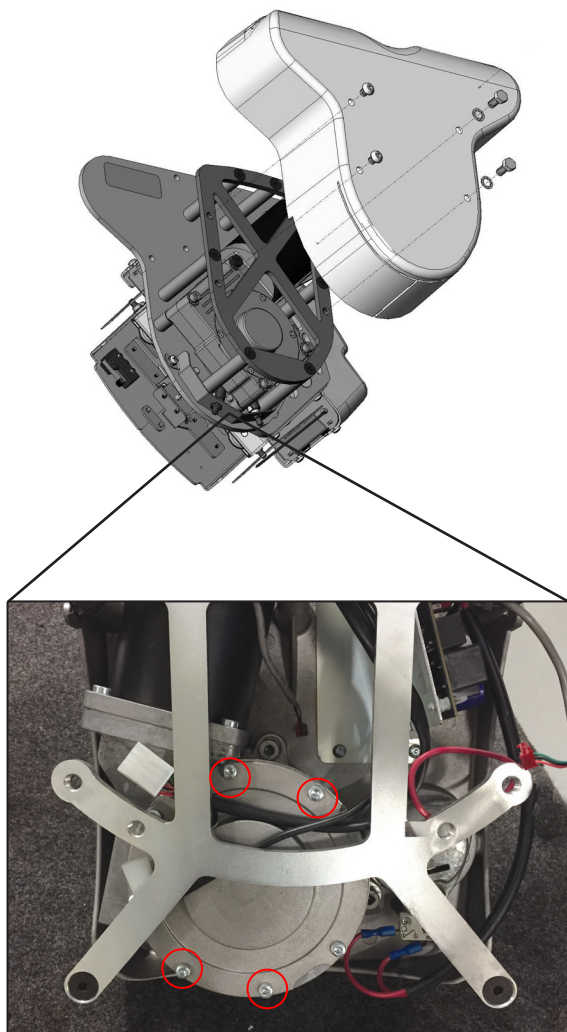
- **If you raise footrest and then wish to adjust seat height, it is not possible to mount seat in highest position. Seat will no longer properly engage seat support bracket. (See tables and picture at left.)**
- **If you wish to mount seat in one of the “~” positions, contact a Bruno Service Representative to order a large seat bottom bracket (SRE-20710).**

<i>Seat Height Position (total seat height in inches)</i>				
<i>Footrest Position</i>	0	1	2	3
0	21.75	22.75	23.75	24.75
0.63	22.38	23.38	24.38	~
1.26	23.01	24.01	~	~

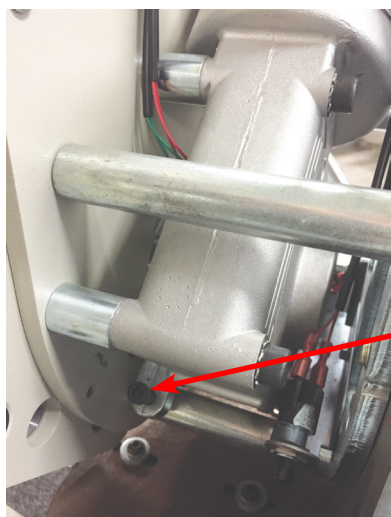
*NOTE: 0,0 = factory setting  
~ = exceeds seat support bracket slot length*

<i>Seat Height Position with SRE-20710 (total seat height in inches)</i>				
<i>Footrest Position</i>	0	1	2	3
0	X	X	23.75	24.75
0.63	X	23.38	24.38	25.38
1.25	23.00	24.00	25.00	26.00

## DRIVE ADJUSTMENT



**Fig. 1**



**Fig. 2**

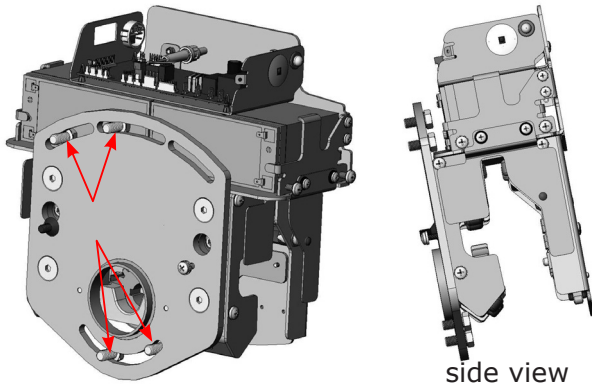
Even though each SRE-2010 is run on a test rail prior to shipment, there may be slight variations between the test rail and rail installed on site. These variations may result in a small but objectionable vibration of the carriage.

### ***Adjust rack and pinion gear to eliminate vibration.***

1. Make sure rack is properly greased.  
Inspect both gear rack and pinion for contaminants.
2. Remove seat and footrest assemblies.
3. With carriage installed on rail, and jumpers installed on carriage, run unit (loaded and unloaded) up and down rail over a few feet. Listen and watch for vibration.
  - a. If unit vibrates only in down direction, carriage and rail are fitted too loosely. The gear must be seated further into rack mesh.
  - b. If unit vibrates when running up and down, carriage and rail are fitted too tightly. The gear must be seated further out from rack mesh.
4. In both cases, loosen (but **DO NOT REMOVE**) four (4) drive mounting bolts (Fig. 1) 1-2 turns using 5mm and 6 mm Allen wrenches.
5. Tighten jack screw 1/8th turn (Fig. 2).
6. Run carriage on rail about 3' (1 m) in each direction with bolts still loose. This allows pinion gear to find the natural center of the gear rack.
  - If carriage runs smoothly, retighten drive mounting bolts.
  - If carriage does not run smoothly, repeat step 5.
7. *Making sure drive does not move as you tighten*, retighten four (4) drive mounting bolts.

# POST-INSTALLATION ADJUSTMENTS

## CARRIAGE ANGLE ADJUSTMENT

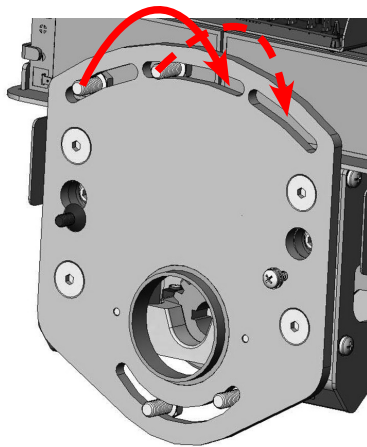


**Fig. 1**

1. Remove front and top carriage covers.
2. Remove batteries.

**NOTE: Do not ground battery posts to steel plates while removing.**

3. Loosen four (4) hex head bolts (Fig. 1).
4. Pivot carriage to desired angle.
5. Tighten four (4) hex head bolts.
6. Reinsert batteries and reconnect.
7. Remount and secure front and top carriage covers.



**Fig. 2**

**NOTE: The angle adjustment plate (Fig. 2) is designed with multiple slots (rather than one continuous, open slot) for added safety.**

**Bolts are inserted at the factory into the slots to adapt to "normal" range of angle adjustments.**

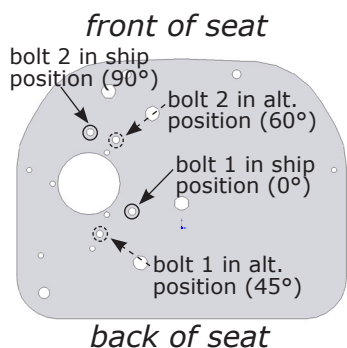
**However, your application may involve angles that are steeper or shallower than "normal".**

**In this case, remove bolts and reinsert them in adjoining slots.**



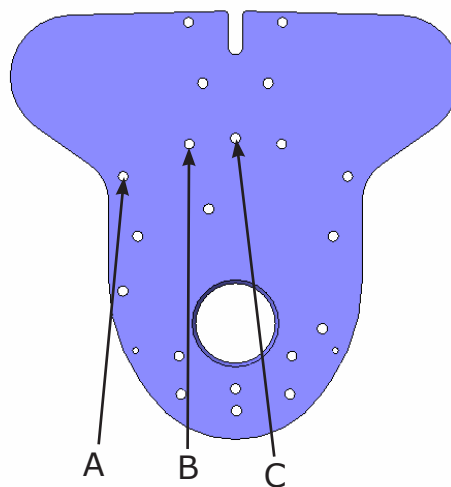
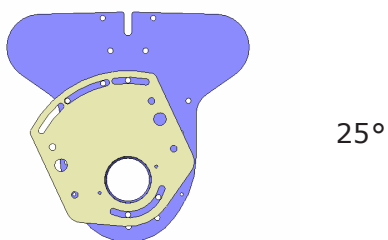
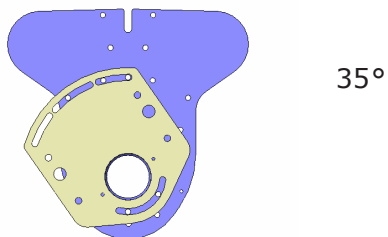
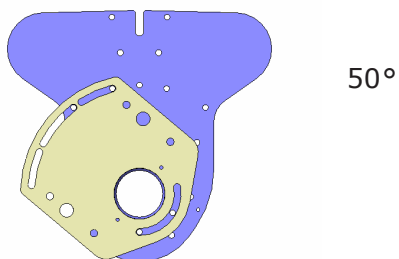
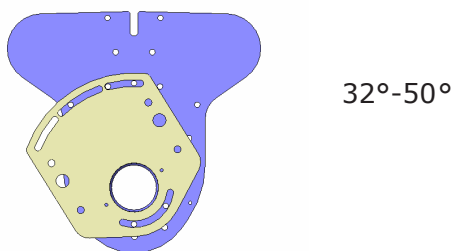
## SEAT SWIVEL STOP ADJUSTMENT

*left-hand orientation shown  
(top view)*



1. Remove lower seat hinge plate cover.
2. Remove bolts 1 and 2, ship position.
3. Pivot seat to expose holes for bolts 1 and 2, alternate position.
4. Apply Loctite 242® (blue) to bolts 1 and 2, insert and tighten to appropriate torque.
5. Remount lower seat hinge plate and secure with its two (2) screws.

## CARRIAGE ADJUSTMENT



<b>Angle Range</b>	<b>Bolt Location</b>		
	<b>A</b>	<b>B</b>	<b>C</b>
32°-50°	Bolt 1	Bolt 2	None
25°-35°	Bolt 1	None	Bolt 2

Under 25°, use any two (2) of five top tapped holes that give maximum distance between holes for that location.

# POST-INSTALLATION ADJUSTMENTS

## ARMREST EXTENSION ADJUSTMENT



**Fig. 1**



**Fig. 2**



**Fig. 3**



**Fig. 4**



**Fig. 5**

1. Remove arm swivel cover (Fig. 1).
2. Cut cable tie (Fig. 2).
3. Remove three (3) arm bracket screws (Fig. 3).
4. Slide arm out to position that best fits user (Fig. 4).  
**NOTE: There are three (3) possible settings.**
5. Insert and tighten three (3) arm bracket screws.
6. Wind wire into a service loop (no cable tie needed).
7. Remount arm swivel cover and secure with its screw.
  - **Do not overtighten!**
  - **Make sure wire sits in cover slot (Fig. 5).**
8. Repeat these steps for opposite side (units without a keyswitch).

<b>UNIT DOES NOT OPERATE/ IS NOT CHARGING</b>	<ul style="list-style-type: none"> <li>• Check circuit breaker. <i>Reset if necessary.</i></li> </ul>
	<ul style="list-style-type: none"> <li>• Check battery connections.</li> </ul>
	<ul style="list-style-type: none"> <li>• Check footrest safety switches to see if one of these limit switches is depressed. <i>Sliding safety tray below footrest should slide freely and should not stick in a position which would depress one of the safety switches.</i></li> </ul>
	<ul style="list-style-type: none"> <li>• Check for discharged batteries. <i>Battery voltage should fall within the range of 16-28 VDC.</i></li> </ul>
	<ul style="list-style-type: none"> <li>• Check that keyswitch is ON.</li> </ul>
<b>UNIT OPERATES SLOWLY, LACKS POWER</b>	<ul style="list-style-type: none"> <li>• Check for discharged batteries.</li> </ul>
	<ul style="list-style-type: none"> <li>• Check for loose connections.</li> </ul>
	<ul style="list-style-type: none"> <li>• Check that charger is plugged in and working.</li> </ul>
<b>UNIT OPERATES BACKWARDS WITH REMOTE TRANSMITTER; UNIT GOES UP SLOWLY AND DOWN FASTER</b>	<ul style="list-style-type: none"> <li>• Unit has been installed on right-hand side of stairs and dip switch has not been set to right-hand and/or seat has not been installed.</li> </ul>
<b>UNIT OPERATES ERRATICALLY OR INTERMITTENTLY WITH REMOTE TRANSMITTER</b>	<ul style="list-style-type: none"> <li>• Check all safety mechanisms, including swivel seat safety switch.</li> </ul>
	<ul style="list-style-type: none"> <li>• Reorient transmitter to point directly at carriage.</li> </ul>
	<ul style="list-style-type: none"> <li>• Consult your dealer, an experienced technician or call the Bruno Technical Service Department.</li> </ul>
<b>UNIT OPERATES ERRATICALLY OR INTERMITTENTLY WITH A RIDER USING ARMREST MOUNTED CONTROL SWITCH</b>	<ul style="list-style-type: none"> <li>• Check swivel seat safety switch.</li> </ul>
	<ul style="list-style-type: none"> <li>• Check that footrest safety tray is not dragging on stair nosing or hitting debris on stairs.</li> </ul>
	<ul style="list-style-type: none"> <li>• Check rail for debris that may bump safety switches (footrest and carriage panels).</li> </ul>
<b>UNIT WILL NOT OPERATE UNLESS SEAT IS POSITIONED SO IT FACES OPEN SIDE OF STAIRS</b>	<ul style="list-style-type: none"> <li>• This is correct lift operation.</li> </ul>
	<ul style="list-style-type: none"> <li>• A safety switch in the seat swivel prevents unit from operating with seat "out of position".</li> </ul>
<b>UNIT WILL NOT OPERATE WITH REMOTE TRANSMITTER</b>	<ul style="list-style-type: none"> <li>• Check batteries in remote transmitter.</li> </ul>
	<ul style="list-style-type: none"> <li>• Aim transmitter at carriage.</li> </ul>
	<ul style="list-style-type: none"> <li>• Transmitters must be programmed.</li> </ul>
<b>UNIT DOES NOT SHUT OFF WHEN IT HITS BUMPER AT END OF RAIL</b>	<ul style="list-style-type: none"> <li>• Verify correct operation of limit switches in carriage assembly.</li> </ul>
<b>ROUGH OR CHATTERING RIDE</b>	<ul style="list-style-type: none"> <li>• Wipe down rail.</li> </ul>
	<ul style="list-style-type: none"> <li>• Apply a small amount of grease to <b><i>gear rack only.</i></b></li> </ul>

# TROUBLESHOOTING

## DIAGNOSTIC CODES

Cross reference the code displayed under the seat with the following table.

Readout/Diagnostic Group (Group Indicator)	S - Solid = 'Normal' Condition CF - Continuous Flash = Diagnostic Fault	VISUAL		AUDIBLE		VISUAL		AUDIBLE		AUDIBLE			
		Segment 1	Segment 2	Mode 1 S1 Off S2-Off	Mode 2 S1-Off S2-Off	Mode 3 S1-On S2-Off	Mode 4 S1-On S2-On	Segment 1	Segment 2	Mode 1 S1 Off S2-Off	Mode 2 S1-Off S2-On	Mode 3 S1-On S2-Off	Mode 4 S1-On S2-On
		CRE & SRE											
<b>Charge/Battery Condition Group (C)</b>													
Charging (Charger detected)	S	C	1	None	None	None	C	1	None	None	None	None	
Off-Charge (running w/rocker or remote)	S	C	2	None	None	None	C	2	None	None	None	None	
Off-Charge and Not-Parked (fault condition)	CF	C	3	BBBBL	BBBBL	None	NA	NA	NA	NA	NA	NA	
Parked and Charger Not Detected	CF	C	4	BBBBL	BBBBL	None	C	4	BBBBL	BBBBL	None	BBBBL	
Battery Voltage Critical (~16V)	CF	C	5	BBBBL	BBBBL	None	C	5	BBBBL	BBBBL	None	BBBBL	
Battery Voltage Low (<18V)	CF	C	6	None	None	None	C	6	None	None	None	None	
Motorized Swivel Moving (Prior to SW Rev. 2.7 only-see A6)	S	C	7	None	None	None	NA	NA	NA	NA	NA	NA	
Motorized Footrest Moving (Prior to SW Rev. 2.7 only-see A7)	S	C	8	None	None	None	NA	NA	NA	NA	NA	NA	
<b>Limit/Switch Input Group (L)</b>													
SSS open	S	L	1	S.M.C.P.P.P	S.M	None	L	1	S.M.C.P.P.P	S.M	None	None	
Up Limit Switch Open	S	L	2	S.M	S.M	None	L	2	S.M	S.M	None	None	
Down Limit Switch Open	S	L	3	S.M	S.M	None	L	3	S.M	S.M	None	None	
Keyswitch Closed (not currently used)	S	L	4	M.P.P.C.C	M	None	NA	NA	NA	NA	NA	NA	
Seat Fold Switch Open (not currently used)	S	L	5	M	M	None	NA	NA	NA	NA	NA	NA	
Mid-Rail Park Active	S	L	6	S	S	None	L	6	S	S	None	None	
Brake Input switch	S	L	7	M	M	None	NA	NA	NA	NA	NA	NA	
Soft Stop Switch	S	L	8	None	None	None	L	8	None	None	None	None	
<b>Operation Switch Group (O)</b>													
Rocker Up	S	O	1	None	None	None	O	1	None	None	None	None	
Rocker Down	S	O	2	None	None	None	O	2	None	None	None	None	
Learn Switch	S	O	3	None	None	None	O	3	None	None	None	None	
Remote Up	S	O	4	None	None	None	O	4	None	None	None	None	
Remote Down	S	O	5	None	None	None	O	5	None	None	None	None	
<b>Diagnostics Group (d)</b>													
Speed Pot Fail (open)	CF	d	1	None	None	None	d	1	None	None	None	None	
Transmitter ID Memory Full	CF	d	2	BLL	BLL	None	d	2	BLL	BLL	None	BLL	
Program Memory Bad CheckSum	CF	d	3	None	None	None	d	3	None	None	None	None	
Over Current Fault	CF	d	4	C.C.C.C	C.C.C.C	None	d	4	C.C.C.C	C.C.C.C	None	C.C.C.C	
Over Temperature Fault	CF	d	5	C.C.C	C.C.C	None	d	5	C.C.C	C.C.C	None	C.C.C	
Speed Over Ride on High Temperature.	CF	d	6	None	None	None	d	6	None	None	None	None	
Low Voltage Stop	CF	d	7	C.C.C.C.C	C.C.C.C.C	None	d	7	C.C.C.C.C	C.C.C.C.C	None	C.C.C.C.C	
Unlearned Remote Unit	CF	d	8	None	None	None	d	8	None	None	None	None	
<b>Relay FET Fault Group (F)</b>													
Drive FET Shorted	CF	F	1	None	None	None	F	1	None	None	None	None	
Safety Relay Shorted	CF	F	2	None	None	None	F	2	None	None	None	None	
H-Bridge Relay Fault	CF	F	3	None	None	None	F	3	None	None	None	None	
Safety Circuit Failed	CF	F	4	None	None	None	F	4	None	None	None	None	
Test Input High (Internal Failure, should never happen)	CF	F	5	None	None	None	F	5	None	None	None	None	
Test Input Low (Internal Failure, should never happen)	CF	F	6	None	None	None	F	6	None	None	None	None	
Aux Current Measurement Failure (Prior to SW Rev. 2.7 only-see A9)	CF	F	7	None	None	None	F	7	None	None	None	None	
Unknown Relay Fault (should never happen)	CF	F	8	None	None	None	F	8	None	None	None	None	



# TROUBLESHOOTING

## RESET FOLDING RAIL JOINT

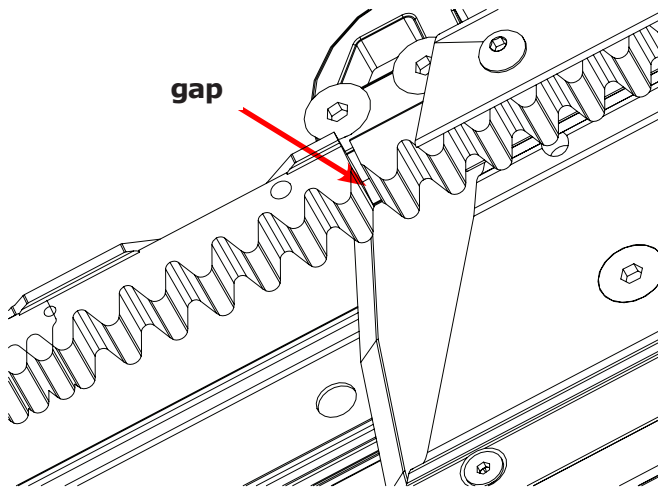


Fig. 1

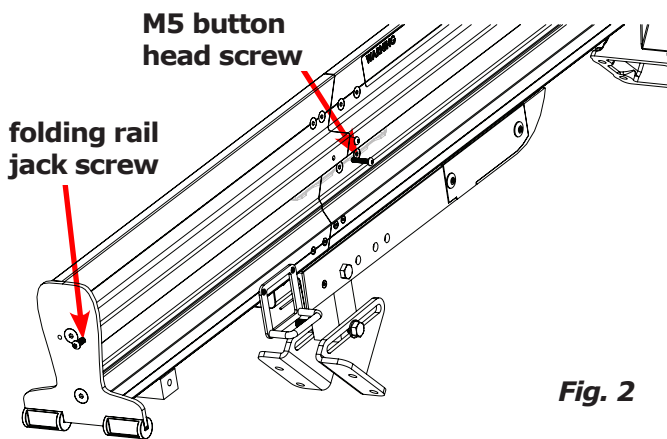


Fig. 2

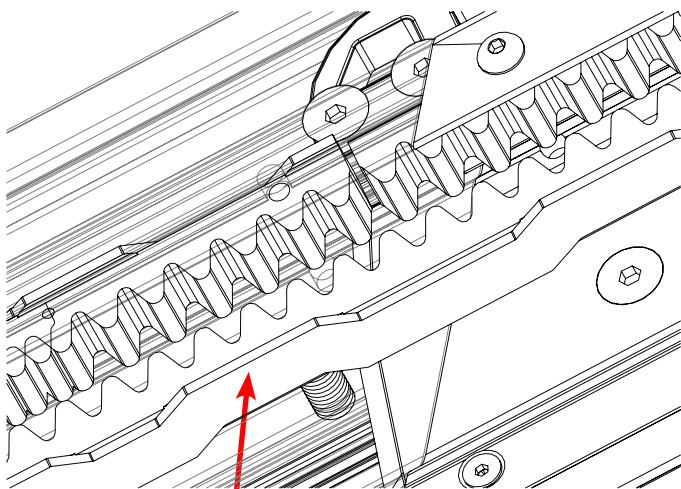
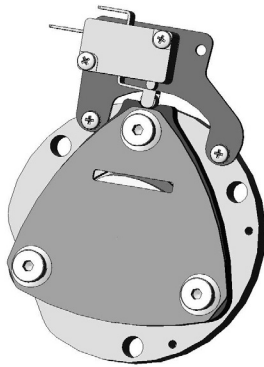


Fig. 3

1. Confirm factory-set gear rack gap (slight space between main rail and folding rail gear racks) is at folding joint (Fig. 1).
2. Loosen folding rail jack screw after jack screw in top endplate has been tightened.
3. Loosen M5 button head screw securing folding rail rack (Fig. 2).
4. Use a piece of spare gear rack to cover joint between main rail and folding rail (Fig. 3). This ensures pitch is maintained for safe travel of drive gear and overspeed gear (SRE-2010C/OS only) across joint.
5. Slowly tighten folding rail jack screw until loose gear rack piece falls away.
6. Tighten M5 button head screw to secure top piece of short folding rail.

**NOTE: NEVER remove main rail screw from rail! Carriage and gear rack segments will fall.**

## OVERSPEED FOR SRE-2010C & SRE-2010OS INSTALLATIONS

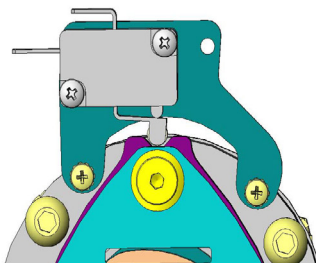


**Fig. 1**

The overspeed is a safety device designed to prevent operation of stairlift if descending travel speed becomes excessive.

When overspeed switch is tripped, wheel will not be in the center of notch (valley). See Fig. 1.

**You must reset the overspeed switch** to allow unit to operate (Fig. 2).



**Fig. 2**

### **Reset Overspeed Switch**

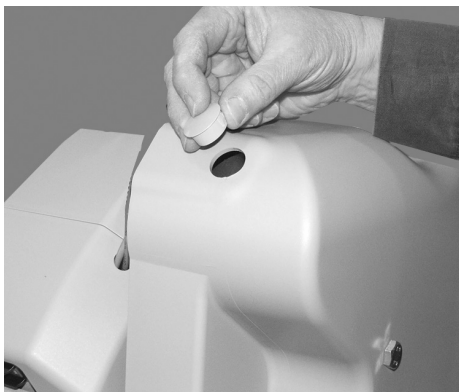
1. Remove access cap from motor side (Fig. 3).
2. Using a 5/16 socket tool, turn gear motor **clockwise** to move carriage UP. Continue turning until unit moves freely (Fig. 4).

**The overspeed switch should automatically reset.**

3. Check for damage to drive system.
4. If drive system is not damaged, use rocker switch to drive carriage off rail for a more complete inspection.

### **If Switch Does Not Reset**

1. Remove two (2) front covers.
2. Remove seat.
3. Remove footrest.
4. Remove drive cover.
5. Turn cam ring so switch roller is centered in cam valley.
6. Remove and inspect both drive system and carriage.
7. If possible, repair as needed and reassemble. Otherwise, return for factory service.



**Fig. 3**



**Fig. 4**

## **BRUNO GOLD LIMITED WARRANTY FOR STAIRLIFT Limited Lifetime Major Components — 2 Year Parts**

Bruno Independent Living Aids, Inc. (Bruno) is confident in its USA-designed and built stairlift units and is pleased to provide the Original Purchaser of a Bruno Stairlift with the following "Industry Leading" warranty. The quality of parts used, along with the care of Bruno's employees in constructing Bruno's products, allow Bruno to provide the following warranty coverage to the Original Purchaser of the Bruno Stairlift:

- ◇ All Parts, other than Major Components, are/will be free of defects in material and workmanship for a period of two (2) years after the date of installation by a Bruno Authorized Dealer.
- ◇ All Major Components, including the motor, gearbox, drivetrain, and rail system of the Bruno Stairlift, are/will be free of defects in material and workmanship for the lifetime of the Bruno Stairlift and as long as the Original Purchaser owns the Stairlift.
- ◇ All labor, to be provided by a Bruno Authorized Dealer, to address any defect of the Bruno Stairlift is covered for the first thirty (30) days after installation thereof by a Bruno Authorized Dealer.
- ◇ All Bruno warranties begin on the date of installation of the Bruno Stairlift by a Bruno Authorized Dealer, but that date should be no later than 14 months after it was shipped from the factory.

Bruno Authorized Dealers are trained to evaluate your unique situation and then install the best Bruno Stairlift to meet your needs. The trained installation and service technicians employed by a Bruno Authorized Dealer have the appropriate equipment and resources needed to correctly install and maintain the Bruno Stairlift and should be the first contact for any warranty or service needs.

### **WHAT IS NOT WARRANTY COVERAGE:**

- ◇ Damage to units caused by misuse, abuse, accidents, neglect or modifications NOT made by a Bruno Authorized Dealer.
- ◇ Consumable items such as remote batteries
- ◇ All labor by a Bruno Authorized Dealer after the first thirty (30) days since installation.
- ◇ Reasonable wear and tear.

### **ADDITIONAL NOTES:**

- ◇ All Service and Warranty claims must be brought to the attention of a Bruno Authorized Dealer. To ensure warranty coverage, all maintenance and repair work on the Bruno Stairlift, other than maintenance provided by the Original Purchaser as called for in the Operator's Manual, must be performed by a Bruno Authorized Dealer.
- ◇ In no event shall Bruno be responsible for indirect, incidental or consequential damages, whether such damages arise based on claims based on contract, warranty, tort (including negligence, strict liability or product liability).
- ◇ Bruno, at its sole discretion, reserves the right to replace, repair, or, if not commercially practical and/or feasible, elect to refund the Original Purchaser the purchase price of the Bruno Stairlift.
- ◇ This warranty gives the Original Purchaser specific legal rights for which the Original Purchaser may also have other rights that vary from state to state. Bruno specifically does not authorize any person to extend the time or scope of this warranty.

For further information regarding this limited warranty, please contact Bruno using the contact information shown below:

In North America:

Bruno Independent Living Aids, Inc.®  
Attn: Service Department  
1780 Executive Drive  
Oconomowoc, Wisconsin 53066 United States  
Tel. 1-800-882-8183 (toll free)

In the UK and Europe

Bruno  
Unit 5, Millennium Court,  
Clayhill Industrial Park Neston,  
Wirral CH64 3UZ United Kingdom  
Tel. 0151 559 0732





# CE DECLARATION OF CONFORMITY CERTIFICATE

We:

**Bruno Independent Living Aids, Inc.**

Headquartered at:

1780 Executive Drive

Oconomowoc, WI 53066 USA

An ISO-9001:2000 registered company

Declare that under our sole responsibility, our manufactured product:

MODEL: **SRE-2010**

has been designed and tested to meet (where applicable) the following laws, directives, specifications and standards pertaining to the Machinery Directive or Powered Inclined Stairlifts for those who have physical impairments:

DIRECTIVES

STANDARDS

2004/108/EC Electromagnetic Compatibility Directive

EN 81-40:2008

EN 60204 Part 1:2006

EN 954 Part 1:1996

2006/42/EC Machinery Directive

EN 60335 Part 1:1994

EN ISO 12100-1:2003

2006/95/EC Low Voltage Directive

EN ISO 12100-2:2003

EN 349:2008

EN 294:1992

CISPR 11

EN 61000

When installed in accordance to the manufacturer's specifications and operated in accordance with manufacturer's operating instructions.

We hereby appoint:

Bruno Lifts, Ltd.

Unit 5, Millennium Court

Clayhill Industrial Park Neston

Wirral CH64 3UZ

United Kingdom

To act as Responsible Manufacturer's Representative.

Date of Issue: 02 April 2018

Location: Oconomowoc, WI USA

BY:

William W. Belson III  
Director of Engineering

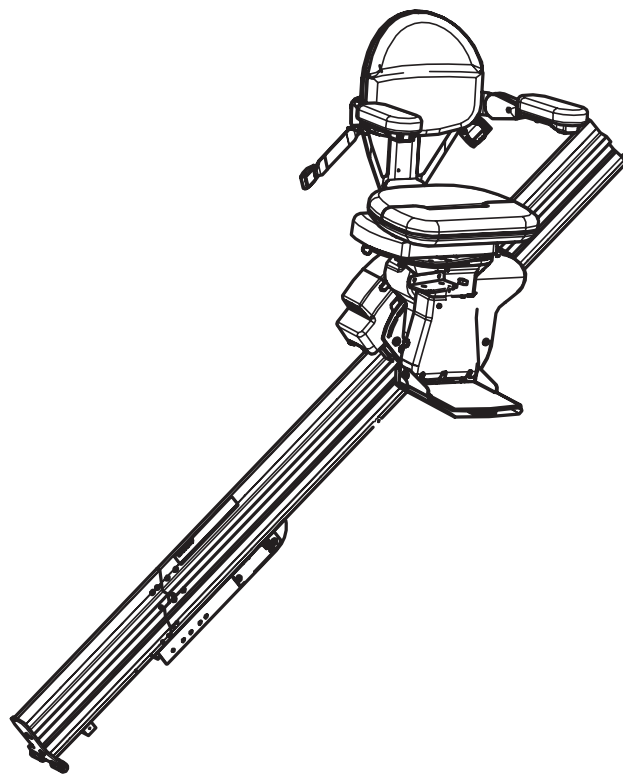


REVISION:  
BY:





**SRE-2010**  
***ELITE***  
***Salvaescaleras de riel recto***



**MANUAL DE INSTALACIÓN**  
**8 DE FEBRERO 2019**  
**N/P 2010-I**

# INFORMACIÓN DE REGLAMENTACIÓN Y NOTAS IMPORTANTES

## LISTAS DE REGLAMENTOS



Intertek  
4004689



Intertek  
4004689



Este elevador está destinado para ser instalado de acuerdo con la edición actual de:

- ASME A18.1:2017 Norma de seguridad para elevadores de plataforma y sillas salvaescaleras - Unidades con montaje de sobrevelocidad
- ASME A18.1:2014 Norma de seguridad para elevadores de plataforma y sillas salvaescaleras - Unidades sin montaje de sobrevelocidad
- CAN/CSA-B613-00 (R2005) - Elevadores residenciales particulares para personas con discapacidades físicas
- ASME A17.5/CSA B44.1 - 2014 Elevador y equipo de escalera eléctrica
- NFPA 70: Código eléctrico nacional de los Estados Unidos®
- CSA C22.1 Código eléctrico canadiense
- EN 81-40:2008 Normas de seguridad para la construcción e instalación de salvaescaleras - Salvaescaleras especiales para el transporte de personas y mercancías - Parte 40: Salvaescaleras y plataformas elevadoras inclinadas para personas con problemas de movilidad

Verifique los códigos locales aplicables con las autoridades reguladoras correspondientes.

## HOJAS DE DATOS DE SEGURIDAD DE MATERIALES

Las Hojas de datos de seguridad de materiales (MSDS) en materiales para esta unidad se pueden solicitar a través del Departamento de Servicio Técnico de Bruno.

## RESPONSABILIDADES DEL DISTRIBUIDOR INSTALADOR

El distribuidor instalador tiene la responsabilidad de reportar cualquier mal funcionamiento, problema de seguridad o evento al fabricante a la brevedad posible. El distribuidor instalador también es responsable de asegurar que los usuarios estén debidamente capacitados en el uso y operación de la unidad.

Los salvaescaleras Bruno deben ponerse en funcionamiento y recibir mantenimiento regularmente por un distribuidor autorizado Bruno de conformidad con la información proporcionada en los documentos de instalación proporcionados con el dispositivo.

## REGLAMENTOS DE LA FCC

Se ha probado y comprobado que este equipo cumple con los límites de un dispositivo digital Clase B, de conformidad con la Parte 15, Subparte B de los Reglamentos de la FCC. Estos límites están destinados a proporcionar protección razonable contra interferencia perjudicial en una instalación residencial. Este equipo genera, utiliza y puede irradiar energía de radiofrecuencia, y si no se instala y se usa de acuerdo con las instrucciones, puede causar interferencia perjudicial a las comunicaciones de radio. No obstante, no hay garantía de que la interferencia no ocurrirá en una instalación en particular. Si el equipo causa interferencia a la recepción de radio o televisión, la cual puede ser determinada al encender y apagar el equipo, se recomienda al usuario intentar corregir la interferencia por medio de una o más de las siguientes medidas:

- Reorientar o reubicar la antena receptora.
- Incrementar la separación entre el equipo y el receptor.
- Consultar a su distribuidor o a un técnico de radio/TV experimentado.

Este salvaescaleras es **ÚNICAMENTE PARA USO EN INTERIORES** en lugares encerrados calentados por arriba de **2°C (35°F)**.

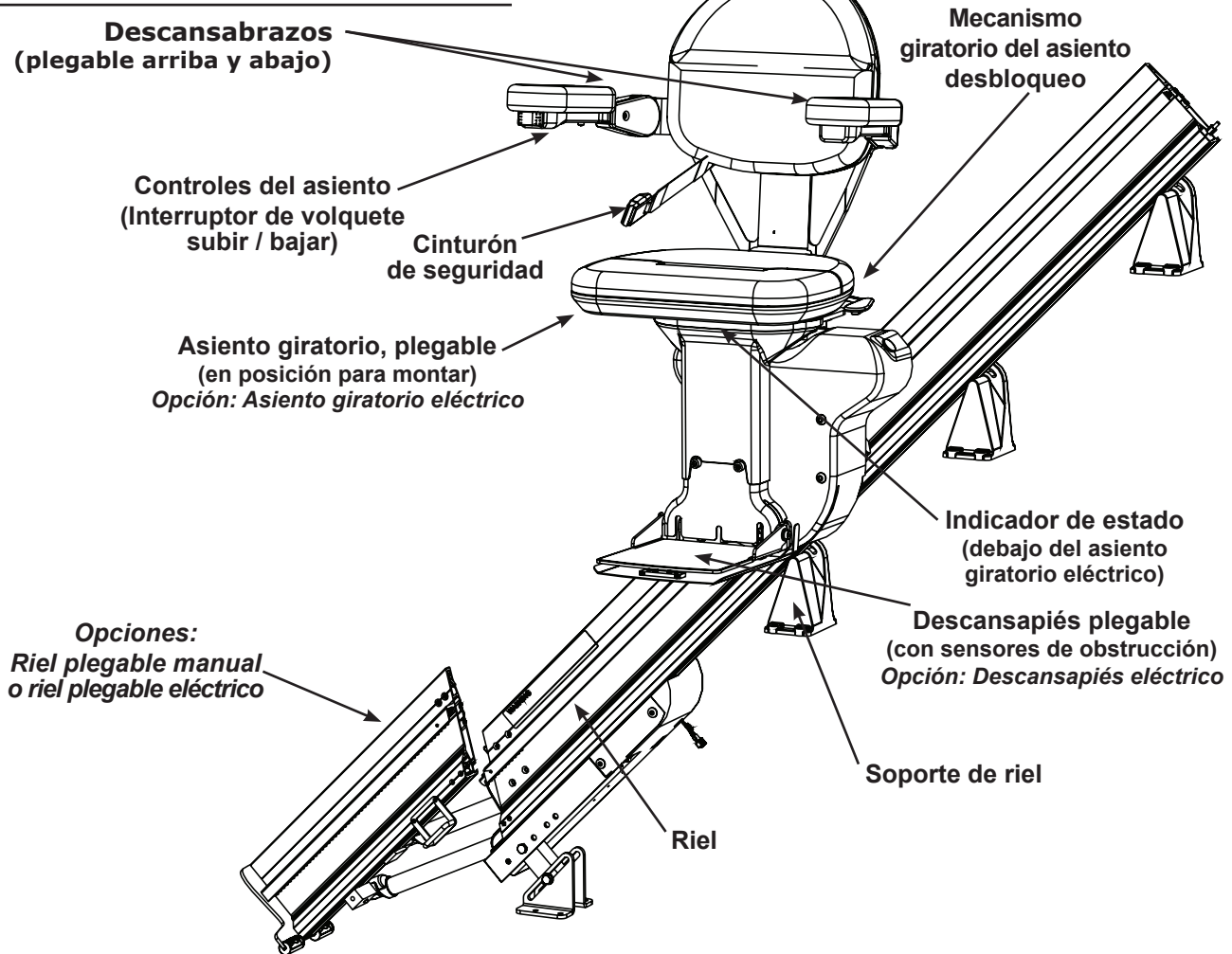
La garantía para el Salvaescaleras de riel recto Elite *se anulará* si la unidad es instalada o se le da mantenimiento por personas ajenas al distribuidor autorizado de Bruno.

409® es una marca registrada de Clorox Company  
Fantastik® es una marca registrada de S.C.

<b>Introducción</b>	
Información de reglamentación y notas importantes . . . . .	52
Contenido . . . . .	53
Descripción del producto y especificaciones técnicas . . . . .	54
Herramientas, especificaciones de par de apriete, y notas de herrajes . . . . .	55
<b>Preinstalación</b>	
Revisión y preparación del sitio . . . . .	56
Mediciones del riel . . . . .	56
Lineamientos de corte de riel . . . . .	57
Requerimientos de soporte de riel (soporte de riel) . . . . .	57
Preparación del riel inferior . . . . .	58-59
Preparación de la unión. . . . .	59
Preparación de riel superior. . . . .	60
Terminar la preparación . . . . .	61-63
<b>Instalación</b>	
Instalación del riel . . . . .	64-67
Instalaciones de riel no plegable . . . . .	64-65
Instalaciones de riel plegable . . . . .	66-67
Instalación del carro . . . . .	68
Instalación del descansapiés . . . . .	69
Completar la instalación del riel . . . . .	70-72
Instalación del pin de riel . . . . .	73-74
Hacer conexiones del cargador . . . . .	75-76
Instalaciones de riel no plegable . . . . .	75
Instalaciones de riel plegable . . . . .	76
Instalación del asiento . . . . .	77-79
Lubricar cremallera. . . . .	79
Instalación del cargador de baterías. . . . .	80
Ajustar y finalizar. . . . .	81
Educación del cliente . . . . .	82-83
<b>Sistema eléctrico</b>	
Reprogramar transmisores remotos . . . . .	84-85
Modo de diagnóstico de usuario único contra usuarios múltiples . . . . .	86
Información del LED indicador del cargador de baterías . . . . .	87
<b>Ajustes posinstalación</b>	
Ajuste de altura del descansapiés . . . . .	88
Ajuste de la transmisión . . . . .	89
Ajuste del ángulo del carro . . . . .	90
Ajuste del retén del mecanismo giratorio del asiento . . . . .	91
Ajuste del carro . . . . .	91
Ajuste de extensión del brazo . . . . .	92
<b>Solución de problemas</b> . . . . .	93-97
Códigos de diagnóstico . . . . .	94-95
Reajuste de la unión del riel plegable . . . . .	96
Sobrevelocidad para las instalaciones de SRE-2010C & SRE-2010OS . . . . .	97
<b>Garantía limitada</b> . . . . .	98
<b>Declaración de conformidad.</b> . . . . .	99
<b>Esquema de cableado.</b> . . . . .	150-151
<b>Vistas expandidas</b> . . . . .	152-166

# ESPECIFICACIONES TÉCNICAS

## DESCRIPCIÓN DEL PRODUCTO



## ESPECIFICACIONES TÉCNICAS

<b>Capacidad de peso:</b> . . . . .	181 kg
<b>Velocidad:</b> . . . . .	0 a 8.5 m/min máximo (25 pies/min)
<b>Alimentación eléctrica:</b> . . . . .	dos (2) baterías de 12 voltios selladas, libres de mantenimiento con cargador de servicio continuo de 24 voltios
<b>Motor:</b> . . . . .	24 V CC, 2 postes, 0.68 HP
<b>Transmisión:</b> . . . . .	caja de engranes de bloqueo automático, transmisión de cremallera y piñón
<b>Control:</b> . . . . .	presión constante (descansabrazos y 2 transmisores)
<b>Freno:</b> . . . . .	freno electromecánico y tornillo sinfín de bloqueo automático
<b>Inclinación máxima:</b> . . . . .	45°
<b>Riel:</b> . . . . .	aluminio extrudido vertical con cremallera de transmisión integral
<b>Mecanismo giratorio del asiento:</b> . .	0°, 60° and 90° en la parte superior; 45° en la parte inferior
<b>Alimentación eléctrica:</b> . . . . .	Cargador de baterías de 24 V CC alimentado por tomacorriente de pared de 120 voltios

# HERRAMIENTAS, ESPECIFICACIONES DE PAR DE APRIETE Y NOTAS DE HERRAJES

## Herramientas

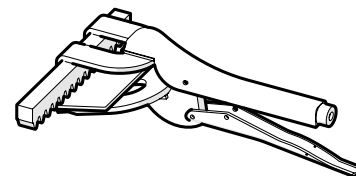
- Taladro atornillador con extensión de 18" MÍNIMO
- Puntas de taladro: apropiadas para piso (p. ej., concreto, madera dura); 3/8", mín. 6" largo
- Sierra de corte (u otra sierra mecánica con cuchilla de corte metálica adecuada para aluminio/acero)
- Juego de llaves de extremo abierto métricas
- **Llave ajustable con mordaza de 1-1/2"** (para cambiar a mano opuesta)
- Llave dinamométrica (extremo abierto, y una que maneja 50 a 80 pie-libra/68-108 Nm)
- Llave de trinquete de 3/8" con extensión de 6"
- Dado de 1/2" SAE
- Dados métricos (10 mm, 13 mm, 17 mm)
- Dado magnético de 10 mm con cuadro de 3/8" (Bruno recomienda se use con extensión de 18")
- Pinzas de presión y pinzas de presión con mordaza en C
- Pinzas de punta
- Juego de llaves hexagonales métricas
- Desarmadores magnéticos Phillips
- Mazo blando o de goma, or goma dura o mazo de cuero
- Multímetro
- Cables de extensión
- Caballetes de aserrar
- Fijador de roscas (p. ej., Loctite®)
- Nivel Torpedo
- Tijeras para metales
- Navaja utilitaria
- Pinzas pelacables
- Pinzas engarzadoras
- Lima metálica
- Lezna de marcar
- Cinta de medir de 20'
- Linterna
- Gafas de seguridad

### A continuación:

- **Determinar si la aplicación requiere instalación de un riel plegable automático o manual.**

**Use la herramienta sujetadora de riel  
FIX-00525 (disponible con Bruno)**

OR Bar/Spring clamp with piece of gear rack



## Especificaciones de par de torsión

- Siga las recomendaciones de par de apriete del OEM para el herraje de montaje del asiento. Si no está disponible, consulte la tabla de la derecha que indica las especificaciones ISO y SAE recomendadas para par de apriete.

### Especificaciones de par de torsión

#### GRADO 10.9 (métrica)

(casi equivalente al Grado 8 de EE.UU.)

M 6	....	7 pie-libra	..	9.49 Nm
M 8	....	25 pie-libra	..	33.8 Nm
M 10	....	47 pie-libra	..	63.7 Nm

**Si es necesario reemplazar pernos o sujetadores, use únicamente herrajes métricos GRADO 10.9 (de acero templado). Los pernos métricos grado 10.9 están identificados con el número 10.9 en la cabeza.**



**MÉTRICA 10.9  
CABEZA DE PERNO**

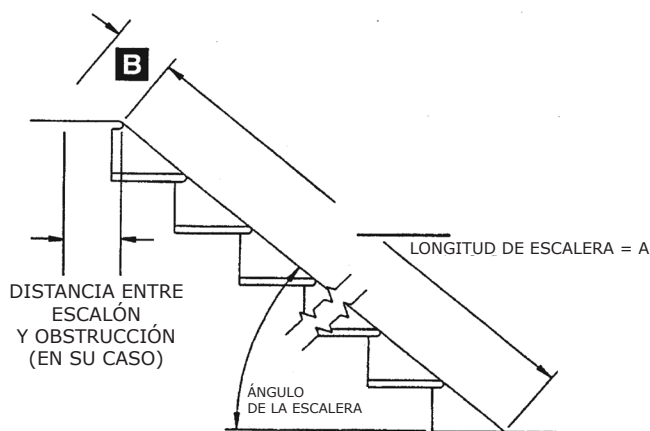
**Los pernos sin marca de grados en la cabeza no son suficientemente sólidos para ser usados con seguridad en esta aplicación.**

# PREINSTALACIÓN

## REVISIÓN Y PREPARACIÓN DEL SITIO

1. Inspeccione el sitio visualmente, asegúrese de que todas las obstrucciones (p. ej., ventanas, tubos, racores, columnas de escalera, etc.) se tomen en consideración.
2. Si la escalera es un plano "abierto" o las escaleras no están junto a una pared sólida, el acceso a las escaleras debe cubrirse con paneles antes de poder hacer la instalación.
3. Determine si la escalera se instalará en el lado derecho o izquierdo de las escaleras, **visto desde la parte baja de las escaleras.**

## MEDICIONES DEL RIEL



1. Determine la longitud exacta del riel.

**NOTA:** La longitud de riel determinará la altura del asiento en la parte alta de las escaleras.

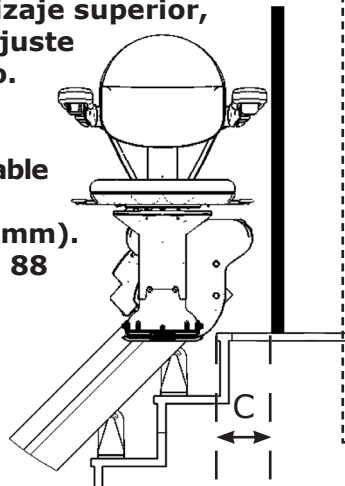
Mida la longitud de la escalera colocando una cinta de medir en línea recta en las escaleras desde la nariz del escalón superior al piso.

(A) Longitud de escalera: \_\_\_\_\_

(B) Agregue 13" (330 mm) para una altura de asiento de 20" (508 mm): + \_\_\_\_\_  
 [Agregue 1.5" (38 mm) por cada 1" (25 mm) que aumenta la altura del asiento.]

**NOTA:** El descansabrazos de la silla se extiende aproximadamente de 5 a 8" (127 a 203 mm) más allá del riel en el aterrizaje superior, dependiendo del ajuste de ancho del brazo.

**NOTA:** La altura del asiento es ajustable en incrementos de 1" hasta 3" (76 mm). Consulte la página 88 para más detalles.



**!** Para obstáculos en la parte alta de las escaleras: Consulte Brainshark "Ramping the Rail" de Bruno, y recuerda que:

**Nariz-al-piso + nariz-al-puerta + 2" (50 mm) = Longitud general del riel requerida**

Agregue la longitud de escaleras (A) a la medida (C) (p. ej., puerta) más 2" (50mm): + \_\_\_\_\_

Longitud general del riel requerida = \_\_\_\_\_

**NOTA:** Para unidades con freno de sobrevelocidad, agregue 4" (102 mm) a la longitud del riel.

2. Marque la Longitud general del riel requerida sobre riel, midiendo de la parte alta del riel hacia abajo.



## LINEAMIENTOS DE CORTE DE RIEL



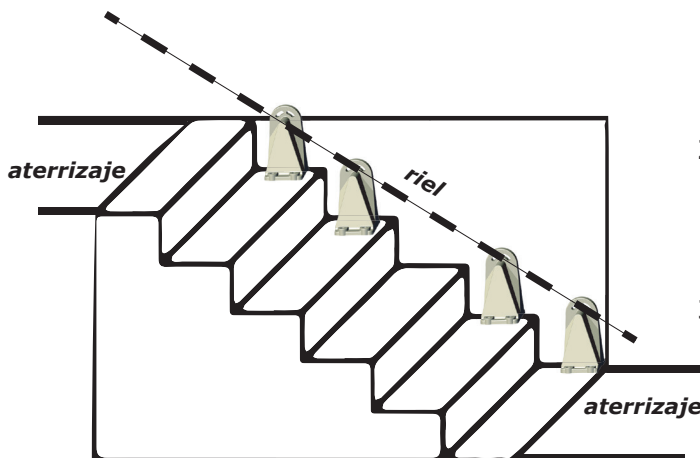
Nunca corte un riel más corto que 24" (610 mm). Los rieles más cortos que 24" (610 mm) no tienen espacio para el mínimo de dos (2) soportes de riel.

**NOTA: Montaje del riel de plegado – NUNCA corte un conjunto de rieles plegables más corto que 1905 mm (75").**

1. En instalaciones de dos rieles, si al cortar solo un riel resulta en una longitud menor que 24" (610 mm), recorte ambos rieles como se indica a continuación:
  - a. Corte al menos 12" (305 mm) de un riel.
  - b. Luego, calcule la longitud del segundo riel al restar la longitud del riel recién cortado de la longitud de dos rieles general requerida debe ser mayor que 24"/610 mm).
2. No corte los extremos de riel que tiene planificado usar para unir dos secciones para poder conservar la medida de fábrica en la unión.
3. Para un corte preciso y eficiente, Bruno recomienda usar una sierra para recortar.

Equipe la sierra para recortar (u otra sierra eléctrica) con una cuchilla para cortar **metales adecuada para aluminio y acero.**

## REQUERIMIENTOS DE SOPORTE DE RIEL (soporte de riel)



1. En instalaciones de múltiples rieles, use un mínimo de dos (2) soportes de riel para soportar cada sección de riel.
2. En instalaciones de un solo riel, use un mínimo de tres (3) soportes de riel para soportar el riel. [Por lo general son longitudes de carrera de riel de diez pies (3 m) o menos].
3. En instalaciones de riel plegable, use un mínimo de dos (2) soportes de riel para soportar cualquier sección de riel intermedia.

No debe incluir en esta cuenta, el soporte de riel fijo (primer rosca) en la unión plegable.

4. No mayor que tres (3) pasos consecutivos sin un soporte de riel.

# PREINSTALACIÓN

## PREPARACIÓN DEL RIEL INFERIOR

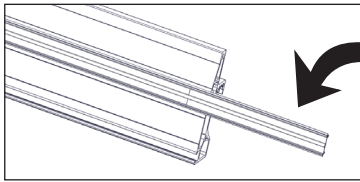


Fig. 1

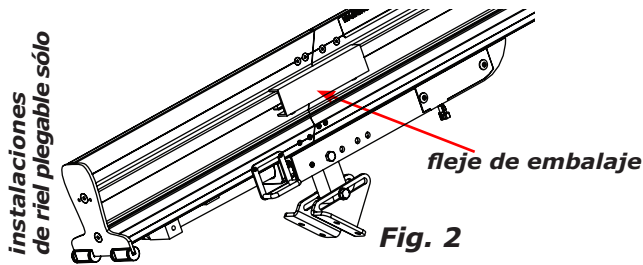


Fig. 2

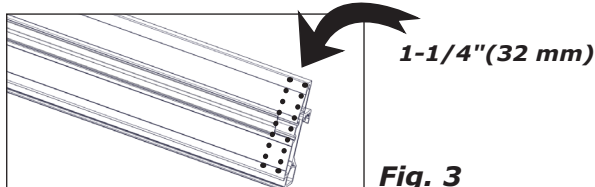


Fig. 3

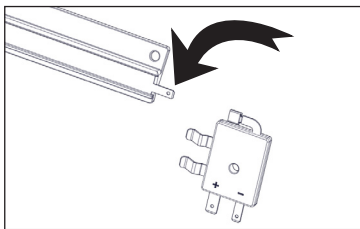


Fig. 4

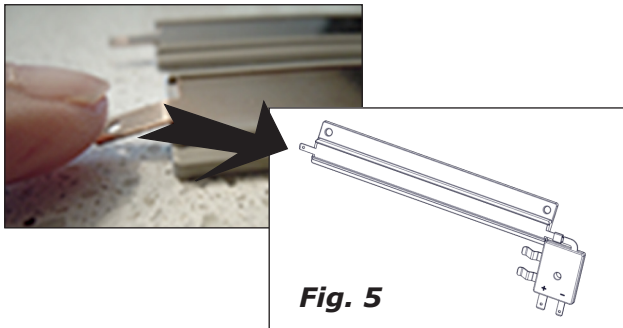


Fig. 5

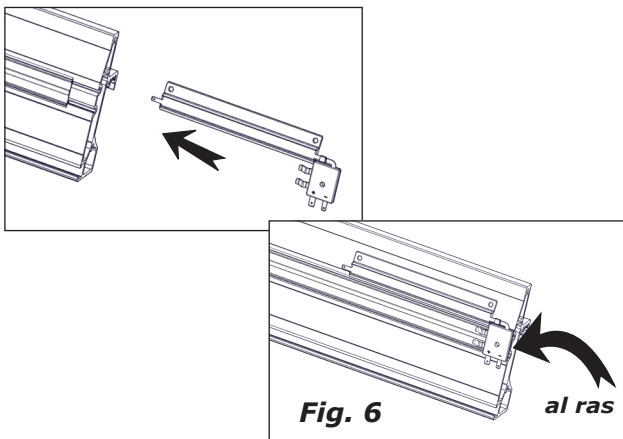


Fig. 6

1. Antes de cortar el riel a la longitud, desmonte el portador de regleta de carga (Fig. 1). Póngalo en un lado. Luego, corte el riel a la longitud requerida para su instalación. (Consulte la página 56, **Mediciones del riel** a calcular).

**NOTA: Longitud real del riel para un riel de 16' de dos piezas es de 15'-9\"/>**

2. Ponga el lado plano del riel en los caballetes. Dibuje una línea en la longitud de riel acabada deseada. Alinee cuidadosamente la sierra con la línea de corte marcada.
3. Corte el riel a la longitud.
4. Una vez que el riel sea recortado, lime el extremo de corte con una lima para metales u otra herramienta apropiada.

**NOTA: Asegúrese de que los bordes redondos que pueden desgastar el cable en el extremo del riel encaminado al tope.**

**Para instalaciones de riel plegable: Mantenga el fleje de embalaje en el riel plegable, manteniendo una posición cerrada (Fig. 2). A continuación, inserte la regleta de desaceleración en el contacto de carga y fije la regleta con dos (2) tornillos autorroscantes de cabeza hexagonal. Luego, alimente la terminal de carga a través del agujero en el riel saliendo por el extremo de corte del riel. Ahora, pase a la Preparación de la unión.**

5. Con el riel aún en los caballetes, deslice el portador de regleta de carga en el lado trasero del riel (Fig. 3). Inserte el carro según se muestra en la Fig. 3.
6. Conecte el contacto de carga a la regleta de (comunicaciones) desaceleración (Fig. 4).
7. Doble la orejeta de la regleta de desaceleración (en el extremo opuesto del contacto de carga) hacia abajo ligeramente (Fig. 5). ¡No permita que la orejeta toque el riel!
8. En el extremo inferior del riel, deslice el contacto de carga de la Fig. 4 en el lado trasero del riel (Fig. 6). El ensamble encajará firmemente en el portador de regleta de carga.

**NOTA: El portador puede ser más largo que el riel en este punto.**

## PREPARACIÓN DEL RIEL INFERIOR (continuación)

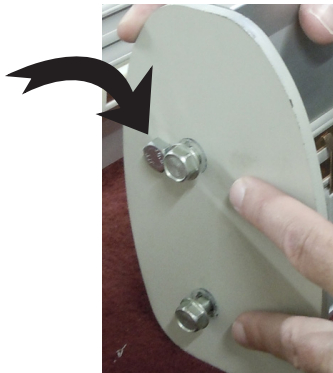


Fig. 6

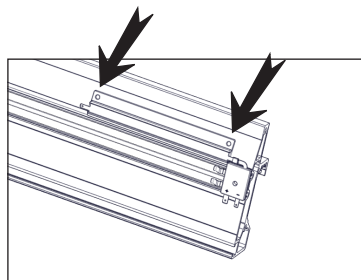


Fig. 7

9. Use el dado de 1/2" para instalar dos (2) tornillos autorroscantes de 5/16" x 18 para montar la placa de extremo del riel inferior (Fig. 6). Una pequeña cantidad de grasa facilitará la instalación.



**NOTA: El agujero roscado en la placa de extremo va hacia el lado frontal del riel.**

**NOTA: NO use un taladro de impacto para instalar estos tornillos.**

10. Inserte lentamente la regleta en el contacto de carga inferior, manteniéndola paralela con y tocando el borde superior del portador de regleta de carga.

Usando dos (2) tornillos autorroscantes de cabeza hexagonal, fije la regleta de desaceleración al riel (Fig. 7).



**NOTA: Asegúrese de que la regleta de desaceleración esté paralela al portador de regleta de carga, y que toque el borde superior del portador.**

**PARA INSTALACIONES DE RIEL DE 1 PIEZA, PASE A LA PREPARACIÓN DEL RIEL SUPERIOR.**

## PREPARACIÓN DE LA UNIÓN

**NOTA: El contacto de carga inferior se ensambla en la fábrica para rieles plegables.**

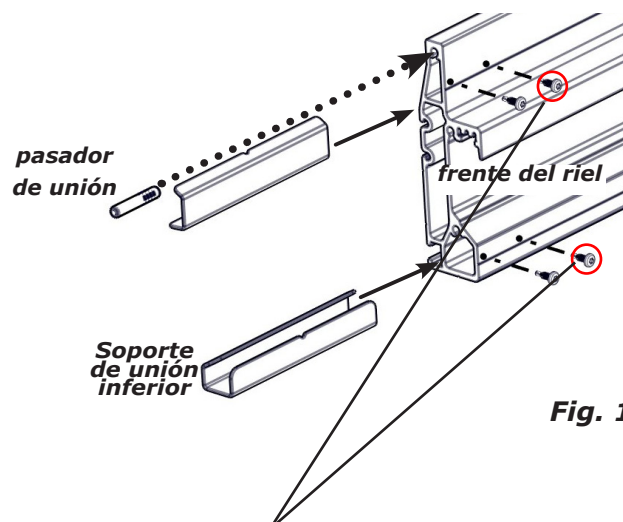
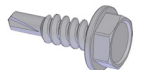


Fig. 1

**Espere para instalar el segundo tornillo hasta después de que el riel superior esté instalado.**

1. Martille el extremo con púas del pasador de la unión del riel **hasta la mitad** en el riel inferior (Fig. 1).
2. En la parte superior de la sección del riel inferior, inserte un soporte de unión superior **hasta la mitad\***.

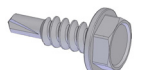
Fija uno (1) de dos (2) tornillos autorroscantes de cabeza hexagonal (Fig. 1).



\* **Ambos soportes de unión superior e inferior están marcados con muescas para indicar el punto a la mitad.**

3. En la parte inferior de la sección del riel inferior, inserte un soporte de unión inferior hasta la mitad\*.

Fija uno (1) de dos (2) tornillos autorroscantes de cabeza hexagonal (Fig. 1).



# PREINSTALACIÓN

## PREPARACIÓN DEL RIEL SUPERIOR

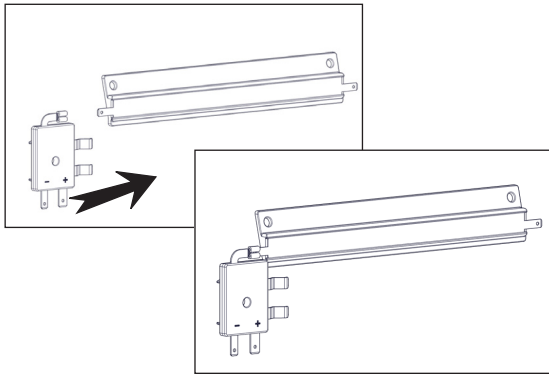


Fig. 1

1. Ponga la sección de riel superior en los caballetes de aserrar.
2. Conecte el contacto de carga a la regleta de desaceleración (Fig. 1).
3. Si se desmontó anteriormente, deslice el portador de regleta de carga en el lado trasero del riel.
4. Deslice el contacto de carga mostrado en la Fig. 1 en el lado trasero del riel. El ensamble encajará firmemente en el portador de regleta de carga.

**NOTA: El portador puede quedar más largo que el extremo de unión del riel en este punto.**



**Para instalaciones estándar pase al Paso 8.**

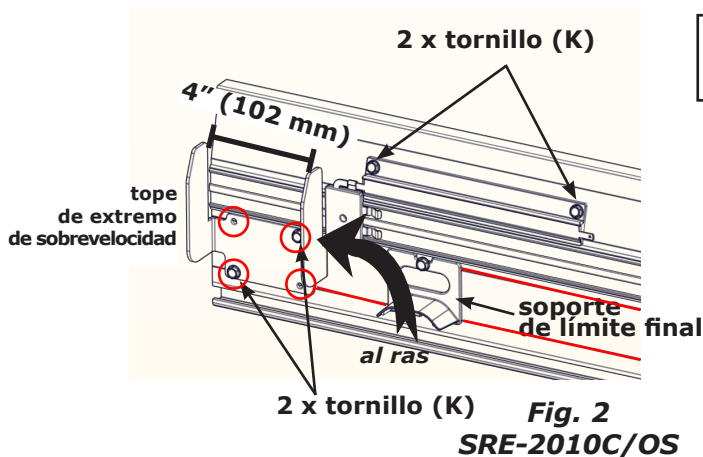


Fig. 2  
SRE-2010C/OS

5. (**SRE-2010C/OS**) Oriente el tope de extremo de sobrevelocidad (soporte en forma de "U") de modo que los cuatro (4) agujeros encerrados en rojo se alineen con las ranuras grabadas en el lado trasero del riel según se muestra en las líneas rojas (Fig. 2).
6. (**SRE-2010C/OS**) Coloque la pata superior de "U" al ras con el extremo del riel (Fig. 2).
7. (**SRE-2010C/OS**) Use dos (2) tornillos autorroscantes para montar el soporte en "U" al riel, uno en un agujero superior y el otro en un agujero inferior (Fig. 2).
8. Usando dos (2) tornillos autorroscantes de cabeza hexagonal, fije la rampa de desaceleración al riel. Ver Fig. 3 para instalaciones estándar, y la Fig. 2 para las instalaciones SRE-2010C/OS.

**NOTA: Confirme que la rampa de desaceleración esté paralela al portador de regleta de carga, y que toque el borde superior del portador.**

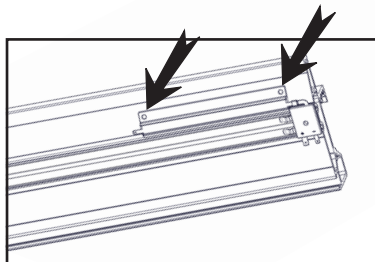


Fig. 3  
Estándar

9. Quite el contacto de carga del riel y guárdelo para uso posterior.  
También quite el tope de extremo de sobrevelocidad del riel si se usa en una instalación SRE-2010C/OS.
10. Monte el soporte de límite final: Borde superior del soporte de límite final debe estar al ras con el borde inferior del contacto de carga. Inserte un tornillo autorroscante de cabeza hexagonal a través de cada agujero para tornillo (en círculos rojos, Fig. 4) en soporte de límite final en líneas marcadas en el lado trasero del riel.

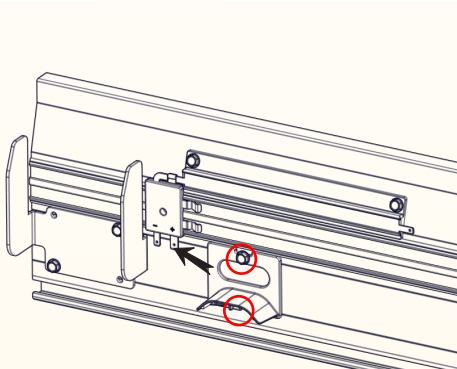
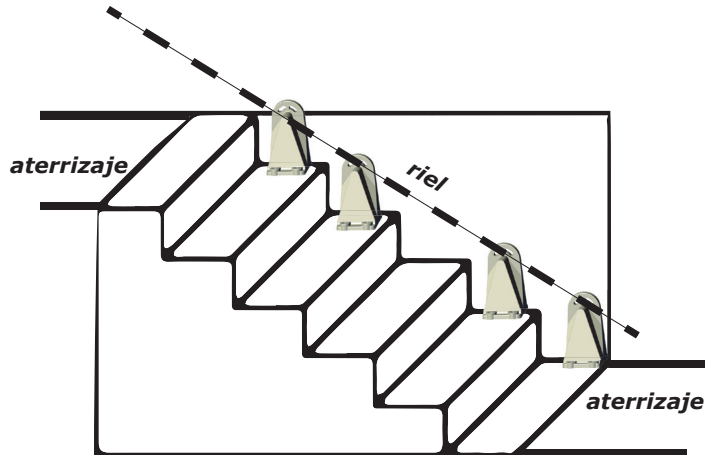
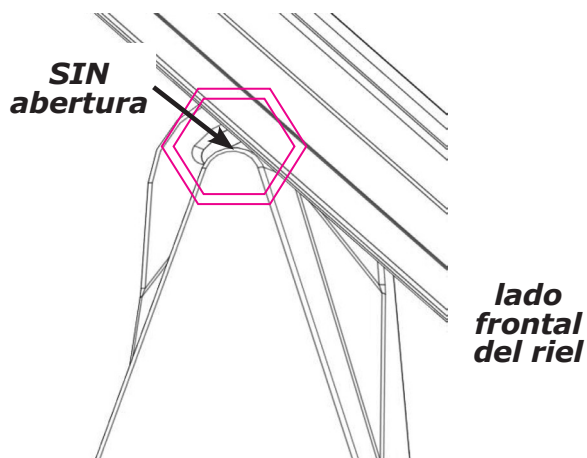
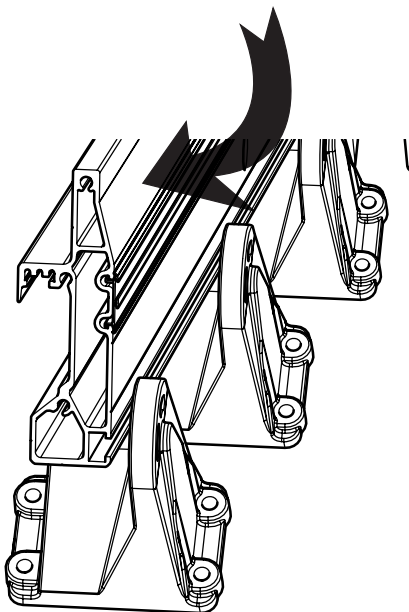


Fig. 4

## TERMINAR LA PREPARACIÓN



**lado trasero del riel**



1. **Determine la colocación del soporte del riel.**

Consulte **Requerimientos de soporte de riel (soporte de riel)** en la página 57 para lineamientos.

Los soportes de riel adicional pueden ser requeridos para instalaciones más largas.

Los soportes de riel pueden adquirirse en Bruno.

2. Ubique y abra la bolsa de plástico marcada con "Herraje de soporte base". Estos componentes se usan para fijar los soportes de riel al riel.
3. Prepare el herraje insertando los pernos en arandelas planas primero y luego en arandelas de seguridad.
4. Determine la orientación de soporte de riel a riel, la cual DEBE concordar con las figuras en la izquierda.

**Siempre instale los soportes de riel con la nariz larga en dirección hacia el centro de la escalera.**



**NOTA: Si no instala los soportes de riel orientados correctamente, puede causar lesiones personales graves y/o daños en propiedad!**

**PARA INSTALACIONES DE RIEL DE 1 PIEZA, PASE AL PASO 10 EN LA SIGUIENTE PÁGINA.**

# PREINSTALACIÓN

## TERMINAR LA PREPARACIÓN (continuación)



Fig. 1

5. **Una los rieles, si es necesario.** Coloque la sección de riel superior sobre la sección del riel inferior. **Menee la sección superior ligeramente** para hacer que se alinee correctamente con la sección inferior (Fig. 1).

**Si la instalación involucra un riel plegable, alimente el arnés de carga a través de la sección de riel superior antes de unir los rieles.**

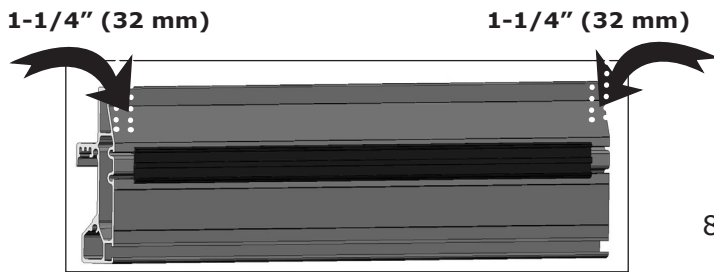
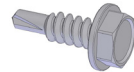


Fig. 2

6. Las secciones superior e inferior ahora deben quedar al ras y bien ajustadas.
7. Fije los **soportes** de unión al riel superior usando dos (2) tornillos autorroscantes de cabeza hexagonal, (p. ej., las líneas grabadas en el riel de acuerdo a la Fig. 1).

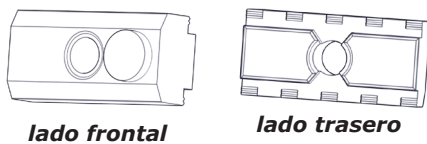


**NOTA: Los tornillos deben estar ubicados a no más que 2-3/4" (70 mm) de la unión si el soporte está instalado correctamente.**

8. En el riel inferior, instale los tornillos restantes (del Paso 2 de la Preparación de la unión en la página 58) en los soportes superior e inferior.
9. **Agregue barras de fijación (Fig. 3).** Con el riel en una superficie plana, deslice una (1) barra de fijación para cada soporte de riel en la ranura trasera del riel.

Si son rieles unidos, agregue una (1) barra de fijación adicional.

**NOTA: Habrá una (1) barra de fijación por cada soporte de riel más una (1) directamente sobre la unión del riel.**



lado frontal

lado trasero

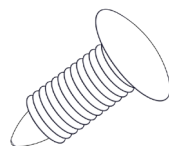
barra de fijación

Fig. 3

10. **Recorte el portador de regleta de carga.** Recorte 2-1/2" (63.5 mm) más corto que la longitud total del riel.

**[6-1/2" (159 mm) para SRE-2010C/OS]**

**Si la instalación involucra un riel plegable, inserte el remache de aletas (Fig. 4) en el portador de regleta de carga del riel intermedio en la unión. Recorte 1.5" (38 mm) más corto que la longitud total del riel.**



remache de aletas

Fig. 4

**NOTA: Para instalaciones SRE-2010C/OS, de la pieza restante del portador, corte una pieza de 4" (102 mm) de "relleno" para insertarla posteriormente.**

## **TERMINAR LA PREPARACIÓN (continuación)**

11. Deslice el portador de regleta de carga en el lado trasero del riel según se muestra (Fig 2).

12. ***Instale las piezas de la cremallera.***

Continuar a trabajar en una superficie plana, con **cuidado\*\*** deslice las piezas de cremallera en el riel superior hasta que:

(a) la última pieza se extienda más allá el extremo del riel

o

(b) la última pieza quede dentro de 1/2" (13 mm) del extremo del riel.

**\*\* Al permitir que las piezas de la cremallera "caigan libremente" y golpear fuerte, sacarán a la unión de su ajuste.**

• **La distancia máxima entre el último diente de la pieza de cremallera de más arriba y el extremo del riel es de 1-1/4" (32 mm).**

• Si la última pieza se extiende más allá del extremo del riel, corte esa pieza de acuerdo a la longitud. Marque la pieza con el extremo del riel, deslice hacia afuera, reste 1/2" (13 mm) y corte.

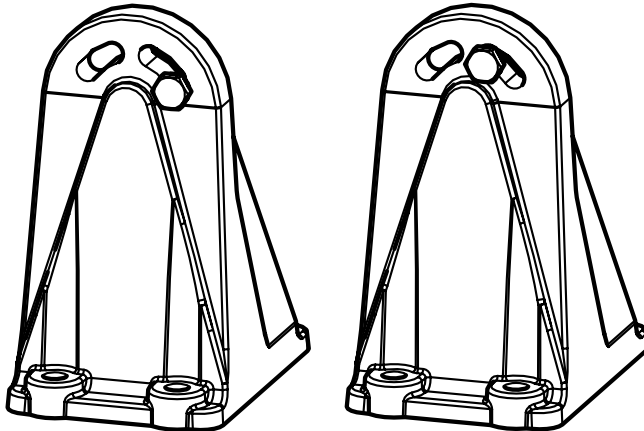
**NOTA: ¡Después de la inserción, quite la última pieza de cremallera (o dos) para facilitar la instalación del carro!**

**NOTA: Para poder llevar el riel al sitio de instalación, en algunos casos será necesario separar un riel de dos piezas y volver a unirlos cuando esté en la escalera.**

**PARA INSTALACIONES DE RIEL PLEGABLE,  
PASE A LA PÁGINA 66.**

# INSTALACIÓN

## INSTALACIÓN DE RIEL - RIEL NO PLEGABLE



**cabeza de perno  
correcta**

**cabeza de perno  
incorrecta**

**Fig. 1**



**Fig. 2**



**Fig. 3**

1. Si no se hizo previamente, reconecte las instalaciones de riel de dos piezas en la escalera.
2. Coloque el riel en bordes de la escalera.

**NOTA: Ponga una caja de herramientas pesada en la parte inferior de las escaleras para evitar que el riel se deslice.**

**NOTA: La parte inferior del riel debe estar a 1/8" (3 mm) despegado del suelo.**

3. Monte todos los soportes de riel en el riel.
  - Martille el perno en la ranura del soporte de riel antes de apretar (Fig. 1).
  - Apriete el herraje de montaje del riel/soporte de riel a 25 pie-libra (34 Nm).

4. Deslice el riel hacia afuera horizontalmente hasta que la parte inferior del riel quede fuera del borde del escalón en:

**sin alfombra: 2" (51 mm) mínimo**

**con alfombra: 2.5" (64 mm) mínimo**

**Mida cada escalón (Fig. 2).**

5. Mida la pared lateral de la parte SUPERIOR del riel a la obstrucción más cercana (p. ej., pared, pasamanos, etc.):

4.25" (108 mm) (Ver Fig. 3.)

**Mida en la parte superior, intermedia e inferior a lo largo de cada sección de riel.**

6. Comience a fijar los soportes de riel, comenzando con el soporte de riel en la parte superior de las escaleras. Use únicamente dos (2) tornillos para lámina metálica, uno (1) en la pared lateral primero, luego uno (1) en el lado del riel de cara a la escalera.

**NOTA: Espere para fijar el resto de los soportes de riel hasta que las aberturas de carrera sean verificadas.**

**NOTA: Si la parte inferior del riel está más cerca que 2" (51 mm) al borde del escalón, quite los tornillos, deslice el riel horizontalmente, y vuelva a apretar el soporte del riel.**



## RAIL INSTALLATION - NON-FOLDING RAIL (continued)



7. **Inserte las regletas de carga en el riel.**  
Localice dos (2) bobinas de regleta de carga. Sostenga una bobina firmemente para prevenir un desbobinado, y con cuidado quite la cinta a la bobina.

8. Usando tijeras de hojalata, corte un bisel de 45° en el extremo de las regletas de contacto de carga (ver imágenes de la izquierda).

**NOTA: Esto hará MUCHO más fácil insertar la regleta en el portador.**

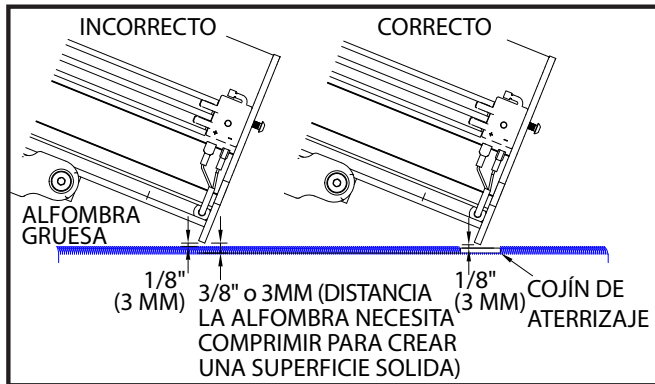
9. Deslice el extremo biselado de la regleta de contacto de carga en el portador hasta que quede justo debajo del contacto de carga inferior.

10. Corte el exceso de regleta de contacto de carga al ras con el portador.

11. Repita los pasos del 7 al 10 para la segunda bobina de regleta de contacto de carga.

**PASE A LA INSTALACIÓN DEL CARRO  
EN LA PÁGINA 68.**

## INSTALACIÓN DEL RIEL - RIEL PLEGABLE



**Fig. 1**



**Poste ajustable**

**Fig. 2**



**Fig. 3**

1. Si no se hizo previamente, reconecte las instalaciones de riel de dos piezas en la escalera.

2. Coloque el riel en bordes de la escalera.

**NOTA: Ponga una caja de herramientas pesada en la parte inferior de las escaleras para evitar que el riel se deslice.**

**NOTA: La parte inferior del riel debe estar a 1/8" (3 mm) despegado del suelo. Si la moqueta gruesa lo impide (Fig. 1), comuníquese con Bruno para comprar el kit SRV-3000-038.**

3. Monte el soporte de riel superior al riel, manteniendo el extremo superior del riel a 2" (51 mm) de distancia del borde del escalón y el extremo inferior ajustado contra el borde del escalón.

4. Instale los soportes de riel restantes, incluido el soporte de riel plegable especial (Fig. 2).

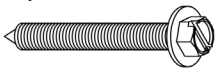
5. Deslice el riel hacia afuera horizontalmente hasta que la parte inferior del riel quede fuera del borde del escalón:

2-1/2" (64 mm) *mínimo*


**Revise la abertura entre la placa de extremo inferior y el suelo [1/8" (3 mm) de despegada del suelo]. Si está demasiado estrecha, el riel no cerrará apropiadamente. Ajuste aflojando los pernos en todos los soportes de riel, deslizando el riel hacia arriba ligeramente, y apretando nuevamente los pernos.**

6. Mida la pared lateral de la parte SUPERIOR del riel a la obstrucción más cercana (p. ej., pared, pasamanos, etc.): 4.25" (108 mm)

**Mida en la parte superior, intermedia e inferior a lo largo de cada sección de riel.**

7. Fije el soporte de riel plegable especial a la huella del escalón, usando dos (2) tornillos para lámina de metal a través del lado del soporte de riel de cara a la escalera. 

8. Quite el perno M10 (en círculo rojo). Ponga el riel a un lado (Fig. 3).

9. Poste inferior ajustable en el soporte de riel especial para ajustar el espacio entre la pata delantera y la pata trasera del soporte. Luego, fije la pared lateral del soporte con dos (2) tornillos para lámina de metal. 

## INSTALACIÓN DEL RIEL - RIEL PLEGABLE (continuación)

10. Reinstale el riel, asentándolo firmemente en el soporte de riel especial.
11. Reinstale el perno M10 para fijar el riel al soporte del riel. Apriete con los dedos más 1/4 de vuelta.
12. Comience a fijar el resto de los soportes de riel, comenzando con el soporte de riel en la parte alta de las escaleras. Use únicamente dos (2) tornillos para metal: una (1) en la pared lateral primero, luego uno (1) en el lado del riel de cara a la escalera.

**NOTA: Espere para fijar el resto de los soportes de riel hasta que las aberturas de carrera sean verificadas.**

**NOTA: Si la parte inferior del riel está más cerca que 2" (51 mm) al borde del escalón, quite los tornillos, deslice el riel hacia fuera horizontalmente, y vuelva a apretar el soporte del riel.**



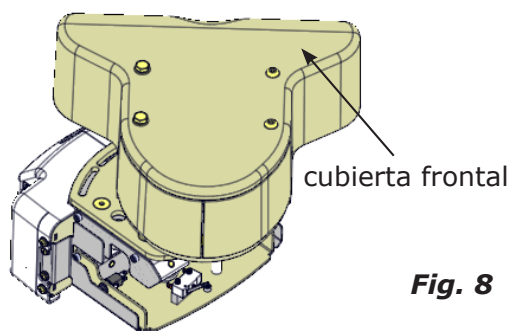
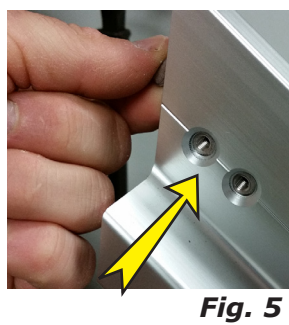
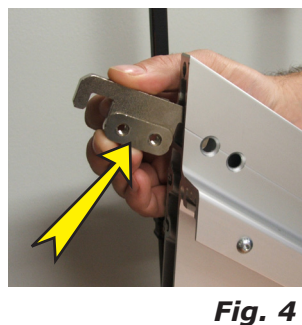
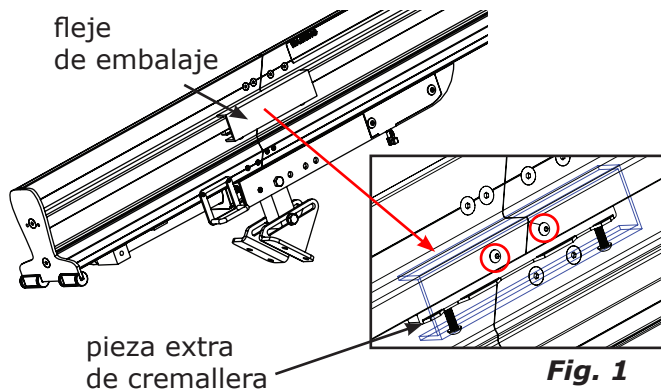
13. **Inserte las regletas de carga en el riel.** Localice dos (2) bobinas de regleta de carga en el juego de instalación de riel\*. Sostenga una bobina firmemente para evitar el desbobinado y con cuidado quite la cinta que sujeta la bobina.
- \* Juegos de instalación de riel:  
SRE-K-2161 para Rieles no plegables de 16'  
SRE-K-2162 para Rieles no plegables de 20'  
SRE-K-2163 para Rieles plegables de 16'/18'
14. Usando tijeras de hojalata, corte un bisel de 45° en el extremo de las regletas de contacto de carga (ver imágenes de la izquierda).

**NOTA: Esto hará MUCHO más fácil insertar la regleta en el portador.**

15. Deslice el extremo biselado de la regleta de contacto de carga en el portador hasta que se deslice debajo del contacto de carga inferior.
16. Corte el exceso de regleta de contacto de carga al ras con el portador.
17. Repita los pasos del 13 al 17 para la segunda bobina de regleta de contacto de carga.

**CONTINÚE A LA INSTALACIÓN DEL CARRO EN LA PÁGINA 68.**

## CIÓN DEL CARRO



**NOTA:** Antes de instalar el carro, revise el ángulo de los escalones. Si es menor que 25°, es más fácil ajustar el carro fuera del riel. Consulte el diagrama en la página 85.

### Prepare el riel

1. Desconecte el interruptor automático (Fig. 9).
2. Quite el contacto de carga superior del riel.
3. Quite los dos (2) segmentos de cremallera superiores para facilitar el deslizamiento del carro en el riel.
4. Antes de instalar el carro, use una llave de 4 mm para quitar dos (2) tornillos con cabeza de botón del fleje de embalaje en el riel plegable y la pieza de cremallera extra (Fig. 1).
5. Asegúrese de que la distancia entre el riel plegable y el suelo no sea superior a 3mm (1/8 pulgadas). ¡ Cuanto más cerca del suelo, mejor (Fig. 2) !
6. Levante el riel corto para proporcionar acceso a la ubicación de instalación del pestillo (Fig. 3).
7. Inserte el pestillo, alineando los agujeros (Fig. 4).

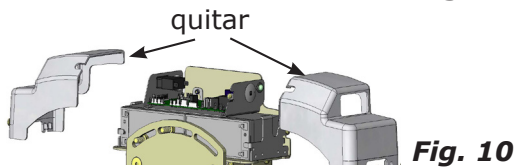
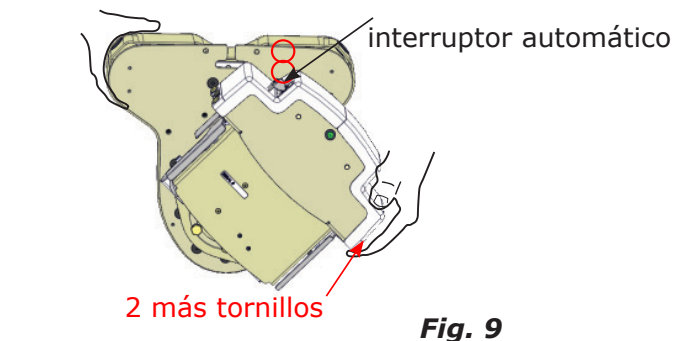
**NOTA:** La placa espaciadora debe entrar en contacto con la protuberancia del carril cuando está instalada.

8. Sostenga el pestillo en posición mientras inserta los tornillos (Fig. 5).
- NOTA:** Si no se sujeta sobre el pestillo, se deslizará hasta el extremo del riel corto. Si esto ocurre, debe quitar la placa de extremo del riel corto para recuperar el pestillo.
9. Usando una llave Allen de 4 mm, apriete dos tornillos (Fig. 6).
- NOTA:** ¡ Asegúrese de que los tornillos estén bien apretados y bien asentados !
10. Baje el riel corto a la tierra (Fig. 7).
11. **Instale el carro en el riel.**

**Consejo:** Quite la cubierta frontal (Fig. 8) para facilitar el transporte del carro, o bien, levante y cargue el carro como se muestra en la Fig. 9. **¡NUNCA levante por la carcasa del interruptor del carro!**

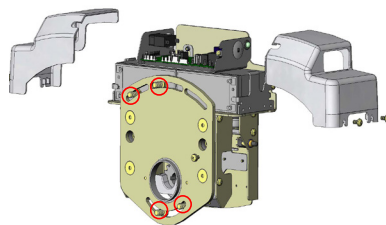
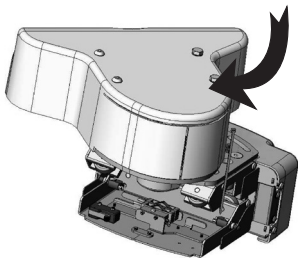
- a. Deslice el carro sobre el riel hasta que llegue a la cremallera.
- b. Corte la abrazadera de cable fijando la hoja de calcomanías y la llave al interruptor automático.
- c. Quite la calcomanía del número de serie de la hoja y aplique la misma al asiento de acuerdo a las instrucciones en la hoja de calcomanías.

## CIÓN DEL CARRO (continuación)



- d. Quite cuatro (4) tornillos de cabeza Phillips (indicados en rojo en la Fig. 9). Luego, quite dos (2) mitades de la cubierta superior del carro (Fig. 10).
- e. Encienda el interruptor automático, luego el interruptor de encendido del carro.
- f. (**Instalación izquierda**): Conecte los puentes de 3 clavijas y 6 clavijas. (**Instalación derecha**): Conecte los puentes de 3, 6 y 12 clavijas.
- g. Usando el control remoto, mueva el carro en la cremallera a aproximadamente 6" (15 cm).  
**Si mueve al carro sobre el riel demasiado lejos, no tendrá fácil acceso al herraje en la parte trasera del carro para el ajuste del ángulo.**

## INSTALACIÓN DEL DESCANSAPIÉS



\*Algunos componentes del carro se han desmontado para fines de ilustración.

1. **Monte el descansapiés en el carro.**
  - a. Quite dos (2) pernos de cabeza hexagonal del frente del carro (Figs. 1 y 2).
  - b. Fije el descansapiés al carro usando dos (2) pernos de cabeza hexagonal.  
**Apriete a 50 pie-libra (68 Nm).**
  - c. Inserte el pasador en el resorte de gas (Fig. 3).
  - d. Doble el descansapiés a 45° aproximadamente.
  - e. Girando la herramienta hacia abajo, empuje suavemente el pasador en las muescas en el soporte del amortiguador de gas (Fig. 4 y 5).
  - f. Quite la herramienta de inserción de pasador y póngala en un lado.
2. **Nivele el descansapiés.**
  - a. Mueva el carro hacia la parte alta del riel.
  - b. Baje el descansapiés.
  - c. Coloque el nivel en la placa del descansapiés.
3. Ajuste el ángulo del carro:
  - a. Afloje (**pero sin quitar totalmente**)\* cuatro (4) pernos indicados en círculo rojo (Fig. 6).  
**NOTA: Para algunas instalaciones, usted QUITARÁ (y reinstalará) dos (2) pernos superiores. Consulte la sección Ajuste del carro en la parte final del manual.**
  - b. Gire el carro para corregir el ángulo.
  - c. Apriete cuatro (4) pernos previamente aflojados a un par de apriete de 50 pie-libras (68 Nm).
4. Reinstale las cubiertas del carro (quitadas en el paso 1) **antes** de instalar el asiento.

# INSTALACIÓN

## TERMINAR INSTALACIÓN DEL RIEL

### instalación izquierda

#### EXTREMO SUPERIOR DEL RIEL

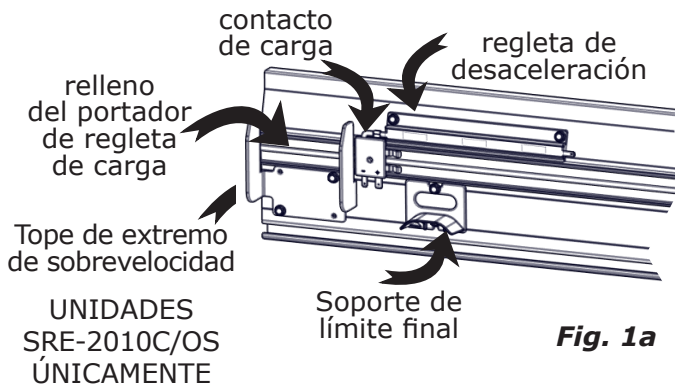


Fig. 1a

1. Inserte las piezas de cremallera restantes, cortando según sea necesario.
2. Agregue el contacto de carga.
  - a. Deslice el contacto de carga en el riel y conecte al contacto de desaceleración (Fig. 1a y 1b).

#### UNIDADES SRE-2010C/OS:

Monte el tope de extremo de sobrevelocidad y 4" (102 mm) relleno del portador regleta de carga pieza cortada previamente.

**CONTINÚE A LA PÁGINA 72**

**SI NO INVOLUCRA RIEL PLEGABLE.**

### instalación derecha

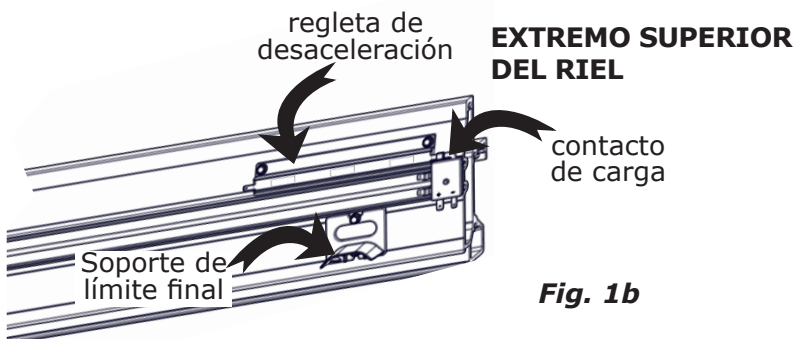
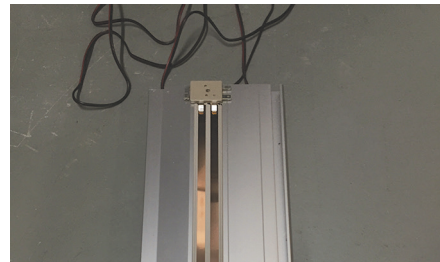


Fig. 1b

## TERMINAR INSTALACIÓN DEL RIEL (continuación)



**Fig. 3**



**Fig. 4**



**Fig. 5**



**Fig. 6**



**Fig. 7**



**Fig. 8**

3. Inserte la última sección de cremallera en el riel superior.

### ***Para instalaciones de riel plegable:***

**Pesque el cable de carga negro a través del riel superior (ver Figuras 3 y 4).**

**Los cables deben caber entre el espaciador y el extremo del riel.**

**Conecte el arnés de carga al contacto de carga y al cargador (Fig. 5).**

**Meta el arnés restante en el extremo del riel (Fig. 6).**

**Monte la placa de extremo espaciadora proporcionada (en el juego SRE-K-3019) entre la parte superior de la placa de extremo y el extremo del riel para evitar daños a los componentes (Fig. 7).**

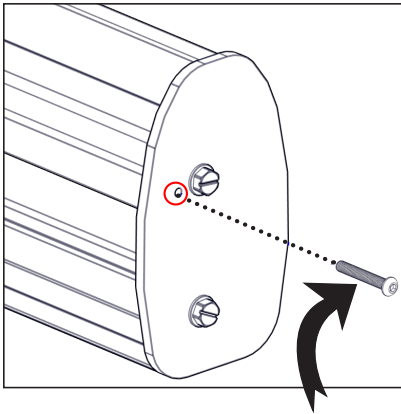
**Ver Fig. 8 para ver un ejemplo de placa de extremo terminada.**

# INSTALACIÓN

## TERMINAR INSTALACIÓN DEL RIEL (continuación)

### 4. **Agregue la placa de extremo superior.**

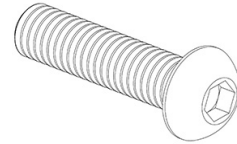
Use un dado de 1/2" y llave de trinquete para montar la placa de extremo superior usando dos (2) tornillos autorroscantes 5-16" - 18x1" de cabeza hexagonal.



El tornillo nivelador

### 5. **Inserte el tornillo nivelador.**

Dos (2) tornillos cabeza de botón para dado M6 (p. ej., tornillos niveladores) son suministrados para carga a presión de la cremallera. Uno es de 25 mm de largo y uno de 40 mm de largo.



Use la tabla a continuación para determinar cuál tornillos debe utilizar.

Distancia desde el último segmento completo de cremallera hasta el extremo del riel	M6 x 25 mm tornillo	M6 x 40mm tornillo
1/2" (12mm) o menos	X	
1/2" (12mm) a 1 1/4" (32mm)		X

El tornillo nivelador puede insertarse en cualquiera de las placas de extremo superior o inferior.

### **NOTA: ¡NO sobreapriete!**

**Apriete con los dedos hasta que el tornillo haga contacto con la cremallera. Luego, use una llave hexagonal para apretar no más que una vuelta completa.**

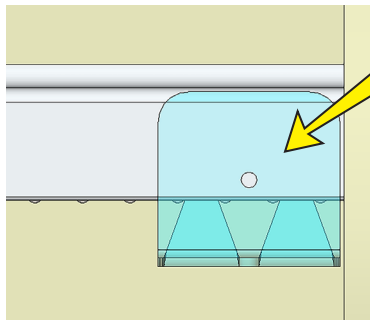
### **NOTA: El tornillo nivelador NO quedará al ras con la placa de extremo.**

6. Enchufe el cargador a un tomacorriente alimentado de 120 V CA y conectado a tierra correctamente.

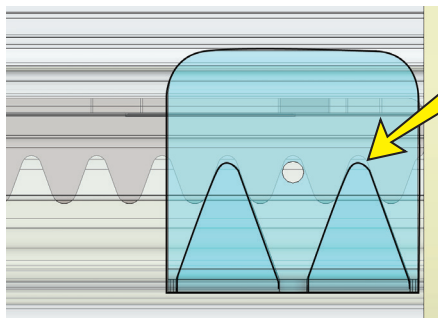
7. Encienda el cargador.



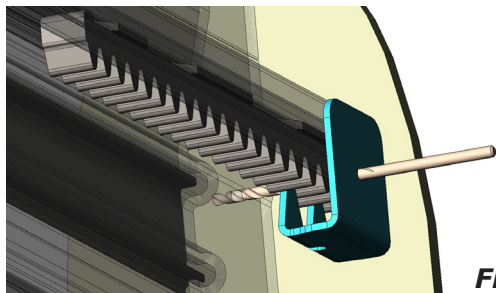
## INSTALACIÓN DEL PERNO CRUZADO DEL CARRIL



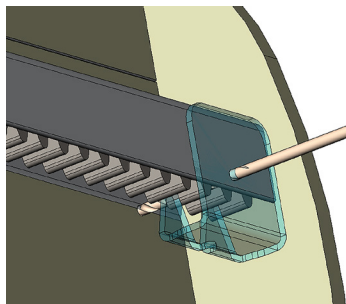
**Fig. 1**



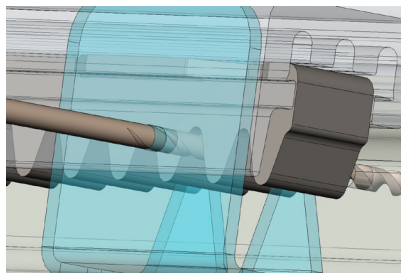
**Fig. 2**



**Fig. 3**



**Fig. 4**



**Fig. 5**

**NOTA: Instale el pasador transversal del riel después de apretar correctamente el tornillo del gato.**

1. En el extremo inferior del riel (base de las escaleras), coloque la plantilla de taladro del perno cruzado del SRE después del primer diente de la primera rejilla de engranaje. El orificio de la plantilla debe estar contra la parte de la protuberancia que cubre la rejilla de engranajes (Fig. 1). La plantilla "dientes" debe encajar contra los valles de la rejilla de engranajes (Fig. 2).

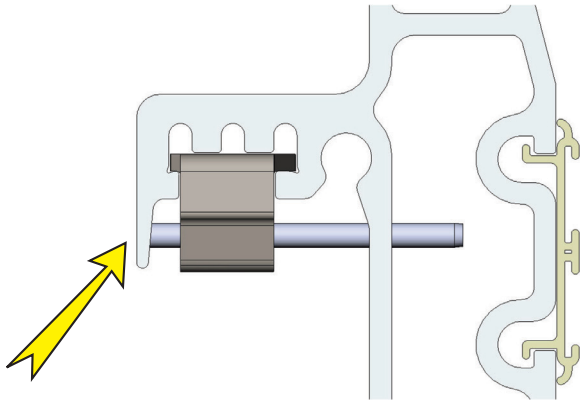
2. Usando una broca de 1/8 po (3,2 mm) (Bruno P/N: DRB-13001, provisto con el kit SRV-3000-023), coloque un orificio en 2 paredes de la protuberancia (Figs. 3 y 4). No perforo toda la protuberancia.

**NOTA: La broca no hará contacto con la rejilla de engranajes (Fig. 5).**

# INSTALACIÓN

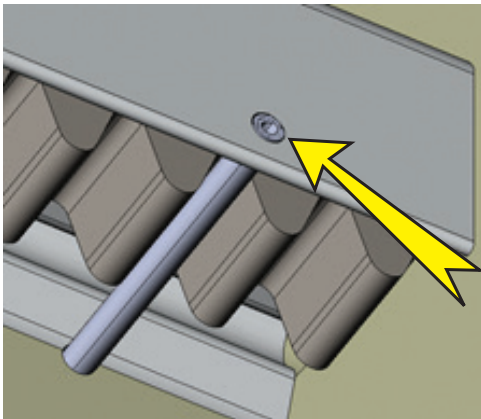
---

## INSTALACIÓN DEL PERNO CRUZADO DEL CARRIL (continuación)



**Fig. 6**

3. Una vez perforado el orificio, coloque el pasador en la protuberancia del riel (Fig. 6). Asegúrese de que el pasador esté al ras con el exterior de la protuberancia (Fig. 7).



**Fig. 7**

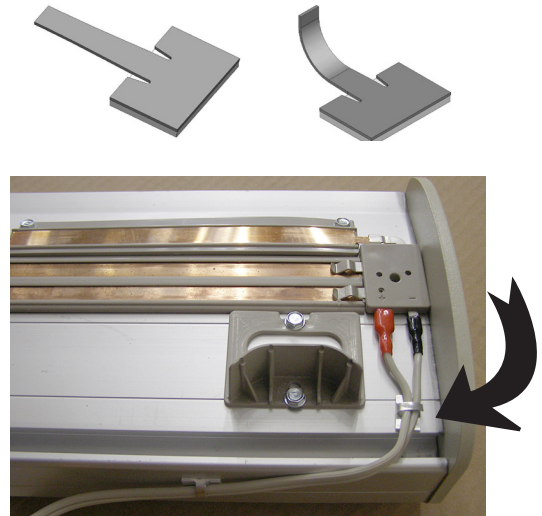
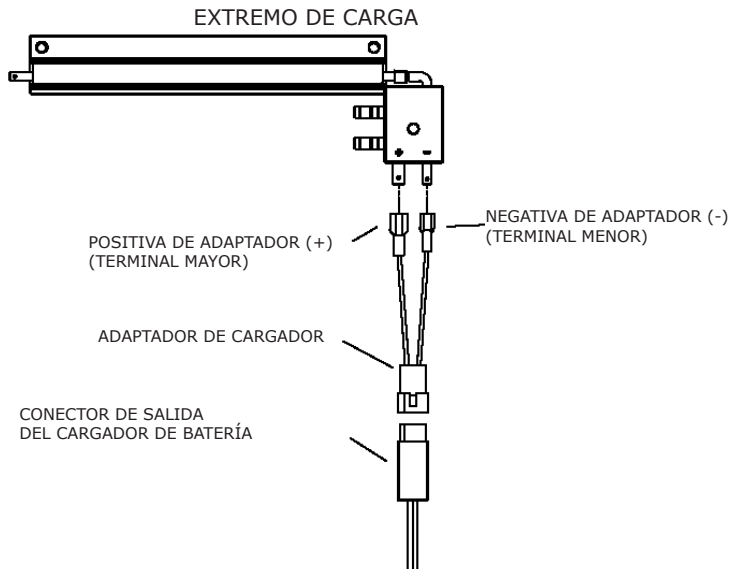
## HACER CONEXIONES DEL CARGADOR - RIEL NO PLEGABLE

CONFIGURACIÓN QUE SE MUESTRA:

- 1) INSTALACIÓN IZQUIERDA CON EL CARGADOR EN LA PARTE INFERIOR.
- 2) INSTALACIÓN DERECHA CON EL CARGADOR EN LA PARTE SUPERIOR.

1. Conecte los cables del cargador al contacto de carga. (Ver figura a la izquierda.)
2. Ponga el broche de cable adhesivo al riel y doble la orejeta sobre los cables como se muestra.

### CONEXIÓN DE CARGADOR (ELITE) SRE-2010

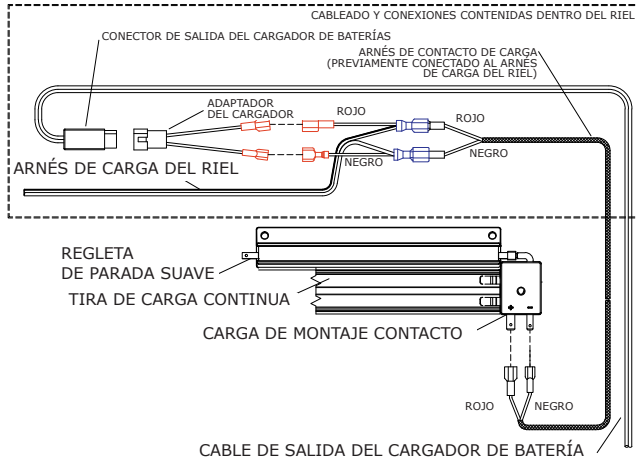


# INSTALACIÓN

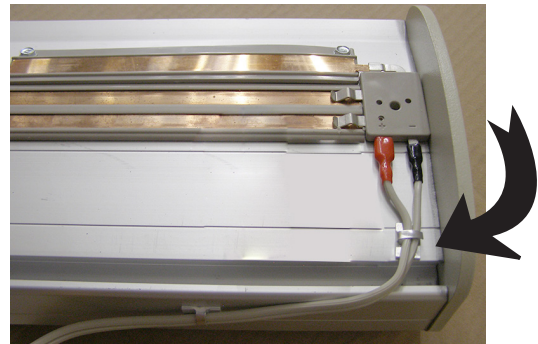
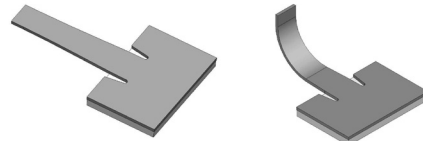
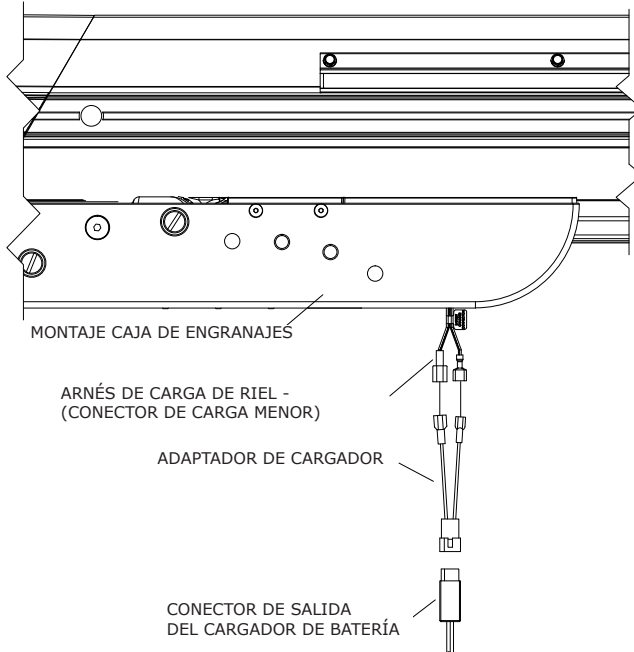
## HACER CONEXIONES DEL CARGADOR - RIEL PLEGABLE

1. Conecte los cables del cargador al contacto de carga. (Ver figura a la izquierda.)
2. Ponga el broche de cable adhesivo al riel y doble la orejeta sobre los cables como se muestra.

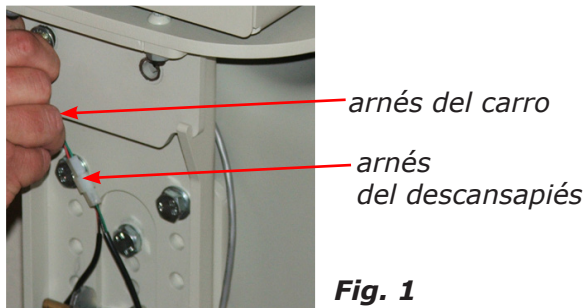
SRE-2010 CONFIGURACIÓN PLEGABLE DE RIEL QUE SE MUESTRA:  
MONTAJE A LA DERECHA (CARGADOR EN LA PARTE SUPERIOR)



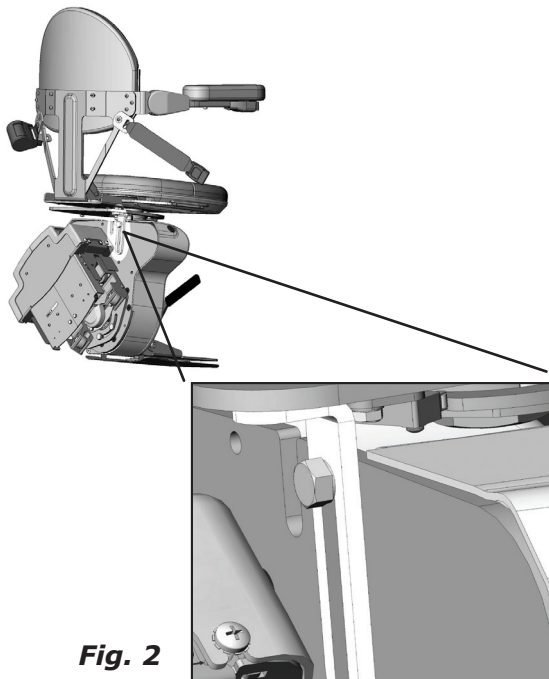
SRE-2010 CONFIGURACIÓN PLEGABLE DE RIEL QUE SE MUESTRA:  
MONTAJE A LA DERECHA (CARGADOR EN EL CARRIL COMÚN)



## INSTALACIÓN DEL ASIENTO



1. Quite y guarde los puentes de embarque de los arneses del carro.  
Conecte el conector de 2 clavijas del carro al arnés del descansapiés (Fig. 1).



2. **Monte el soporte de asiento trasero.**  
Ver Fig. 2 para su ubicación.  
Use un perno M-10 y arandela de seguridad.  
**No apriete en este momento.**



3. **Monte el asiento en el carro.**  
Incline el asiento hacia adelante ligeramente, y ponga en las muescas del soporte de asiento ajustable (Fig. 3).

4. Conecte los dos (2) arneses de cables restantes:
  - 6 clavijas: mecanismo giratorio del asiento al interruptor de volquete
  - 12 clavijas: mecanismo giratorio del asiento a la tablilla de diagnóstico



5. **Fije el asiento sin apretar.**  
Inserte dos (2) pernos de cabeza hexagonal y arandelas a través de los agujeros del soporte de asiento (Fig. 4).

# INSTALACIÓN

## INSTALACIÓN DEL ASIENTO (continuación)

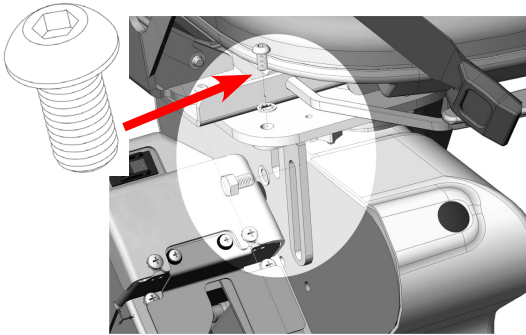
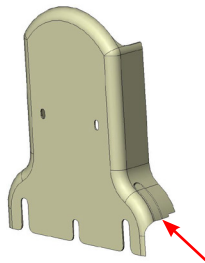


Fig. 3

6. Gire el asiento para obtener acceso al agujero del tornillo de cabeza Allen arriba del soporte del asiento (Fig. 3).
7. Inserte y apriete el tornillo de cabeza Allen.
8. Mientras jala de nuevo el asiento ligeramente hacia adelante, apriete totalmente el perno M-10 del soporte del asiento del Paso 1.
9. Apriete los pernos insertados en el Paso 5.



(una en cada lado)

Fig. 4

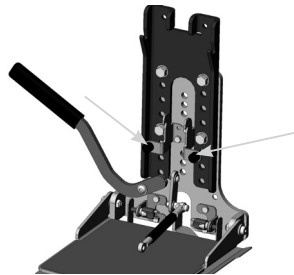


Fig. 5

10. **Monte la cubierta del descansapiés.**
  - quite el recorte para la palanca del descansapiés (Fig. 4);
  - quite los dos (2) topes del descansapiés (Fig. 5);
  - ponga la cubierta inferior del descansapiés contra el soporte;
  - reinserte los topes.

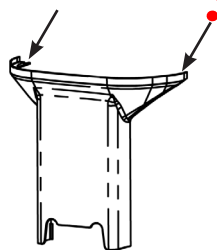


Fig. 6

11. Afloje (**pero sin quitar**) dos (2) tuercas de 10 mm de la cubierta superior del descansapiés (Fig. 6).
12. Deslice la cubierta superior del descansapiés debajo de las tuercas aflojadas en el Paso 11.
13. Apriete dos (2) tuercas superiores.

## INSTALACIÓN DEL ASIENTO (continuación)

 **ADVERTENCIA**

**¡RIESGO DE LESIÓN!**

NO suba al salvaescaleras hasta que todos los soportes estén fijados correctamente.

No cumplir con observar esta advertencia puede causar lesiones personales o daños en el equipo.

14. Encienda el interruptor automático.
15. Abra la llave.
16. Reposapiés más bajo.
17. Usando el interruptor de volquete, opere el asiento y el carro por el riel para verificar las aberturas apropiadas:  
*del descansapiés al borde del escalón,*  
aprox. 1/2 - 3/4" (12-19 mm)  
*del asiento a la pared/obstrucción,*  
1/2" (12 mm)  
  
Ajuste según sea necesario.
18. Si las aberturas son correctas, fije firmemente el soporte de riel restante a las escaleras.

***¡Siempre use los tornillos traseros del soporte de riel primero!***

## LUBRICAR LA CREMALLERA



1. Corra el carro arriba y abajo por el riel varias veces.
2. Aplique una ligera capa de grasa de litio blanca (suministrada) **ÚNICAMENTE en la cremallera.**  
*Repita frecuentemente si la unidad se usa muy frecuentemente o si se usa en ambientes viciados.*
3. La limpieza regular mantendrá el riel y la cremallera libres de polvo y suciedad.

# INSTALACIÓN

## INSTALACIÓN DEL CARGADOR DE BATERÍAS

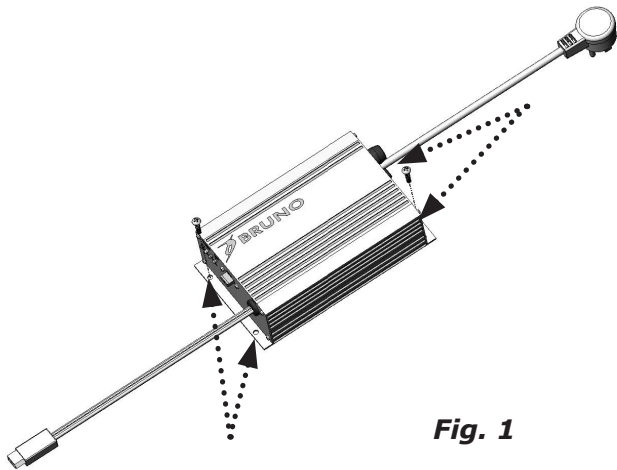


Fig. 1

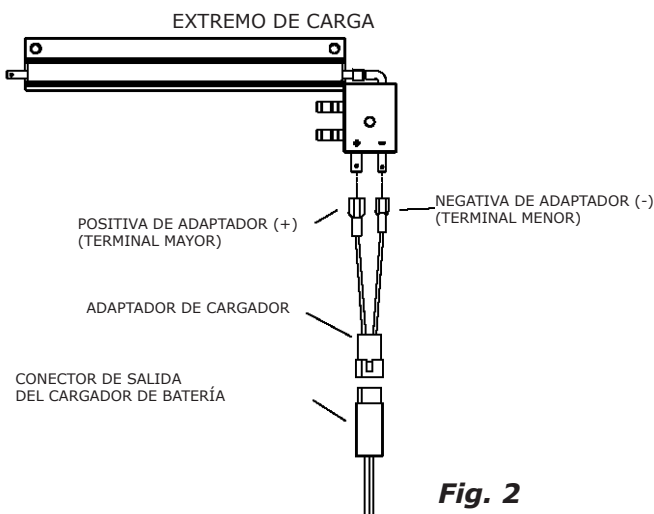
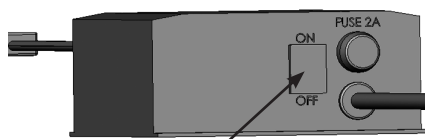


Fig. 2



Interrupción de encendido del cargador

Fig. 3

1. Fije el cargador en la ubicación escogida al insertar dos (2) tornillos suministrados a través de los agujeros de montaje en la base del cargador (Fig. 1).  
**NOTA: Hay dos (2) agujeros de montaje en cada lado de la base del cargador. Elija uno de los dos en cada lado.**
2. Conecte el cable de alimentación al tomacorriente de pared o piso más cercano.
3. Conecte el arnés de salida del cargador de baterías al conector de carga del riel usando el adaptador suministrado (Fig. 2).
4. Instale abrazadera a los cables del adaptador que van al conector de carga del riel.
5. Haga un atado de los cables flojos.
6. Encienda el interruptor de encendido del cargador (Fig. 3).

**NOTAS: Si las baterías se descargan, el carro se moverá más lentamente hasta que las caídas de voltaje lleguen a un punto en que el controlador se apagará.**

**Si esto sucede, haga una pausa, luego opere el carro hacia "abajo" hasta que enganche con los contactos de carga.**

**Las baterías parcialmente cargadas operarán el carro hacia "abajo", pero no hacia "arriba".**

**Confirme que el cargador está conectado a un tomacorriente "vivo" y espere a que las baterías se recarguen.**



## **ADECUAR Y TERMINAR**

### ***Corra el carro arriba y abajo en el riel para:***

- Revisar la abertura del asiento a la pared.
- Revisar que todos los componentes funcionen correctamente.

### ***Pruebe los componentes principales:***

- Revise el funcionamiento correcto del cargador de baterías (ver página 87).
- Revise los transmisores remotos (ver **Reprogramación de transmisores remotos en la página 84**).
- Revise el interruptor de encendido/apagado.
- Revise los interruptores de seguridad del descansapiés.
- Revise que el salvaescaleras no funcione con el asiento girando.
- Revise los interruptores de seguridad de extremo del carro.

### ***Pruebe la alimentación del riel plegable (según corresponda):***

- Revise que cuando el interruptor de desactivación esté apagado el riel no se pueda plegar.
- Escuche el pitido continuo cuando el riel esté en movimiento. (Esto advierte a las personas cercanas del funcionamiento del riel.)
- Revise que la luz de la caja de control destelle en amarillo.

### ***Haga los ajustes finales (ver Ajustes posinstalación):***

- Ajuste la altura del asiento.
- Ajuste el descansapiés.
- Ajuste la extensión del brazo del asiento.

# INSTALACIÓN

## EDUCACIÓN DEL CLIENTE

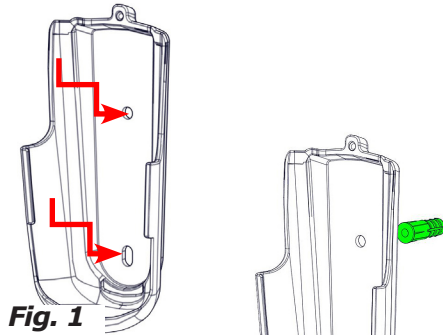


Fig. 1

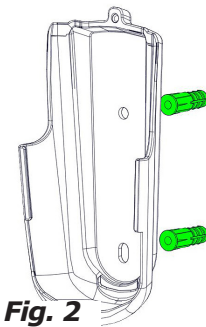


Fig. 2

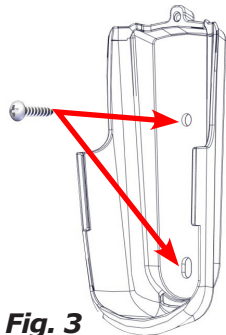


Fig. 3



Fig. 4

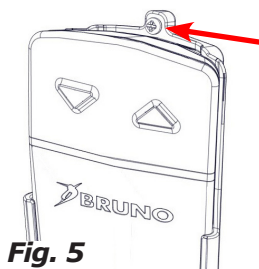


Fig. 5

1. Informar al cliente de la ubicación del Manual del operador. Alentar al cliente a familiarizarse con el contenido.
2. **Montar el transmisor remoto con el paquete OPCIONAL TMR-00005:**
  - Acordar la ubicación del soporte con el cliente antes de montarlo en la pared.
  - Instale el soporte en la pared. Marcar los agujeros superiores e inferiores del soporte (Fig. 1).
  - Perforar un agujero piloto ligeramente más pequeño que los taquetes suministrados.
  - Martille suavemente los taquetes en la pared con el mazo de goma.
  - Instale el soporte en la pared de modo que los agujeros superior/inferior se alineen con los taquetes (Fig. 2).
  - Fije el soporte a la pared usando los tornillos suministrados (Fig. 3).
  - Deslice el transmisor en el soporte (Fig. 4).
  - *Opcional:* Instale el tornillo adicional suministrado para prevenir la remoción del transmisor del soporte (Fig. 5).
3. **Pruebe los transmisores remotos.**
  - Use el interruptor volquete en el descansabrazos del asiento para operar la unidad arriba y abajo en el riel.

**NOTA: La unidad debe desplazarse notablemente más rápido yendo hacia arriba que hacia abajo.**

  - Revise que funcione y se desplace suavemente.
  - Use el transmisor remoto para operar la unidad arriba y abajo en el riel.
  - Repita el Paso 3 con el segundo transmisor.
  - Revise que funcione y se desplace suavemente.

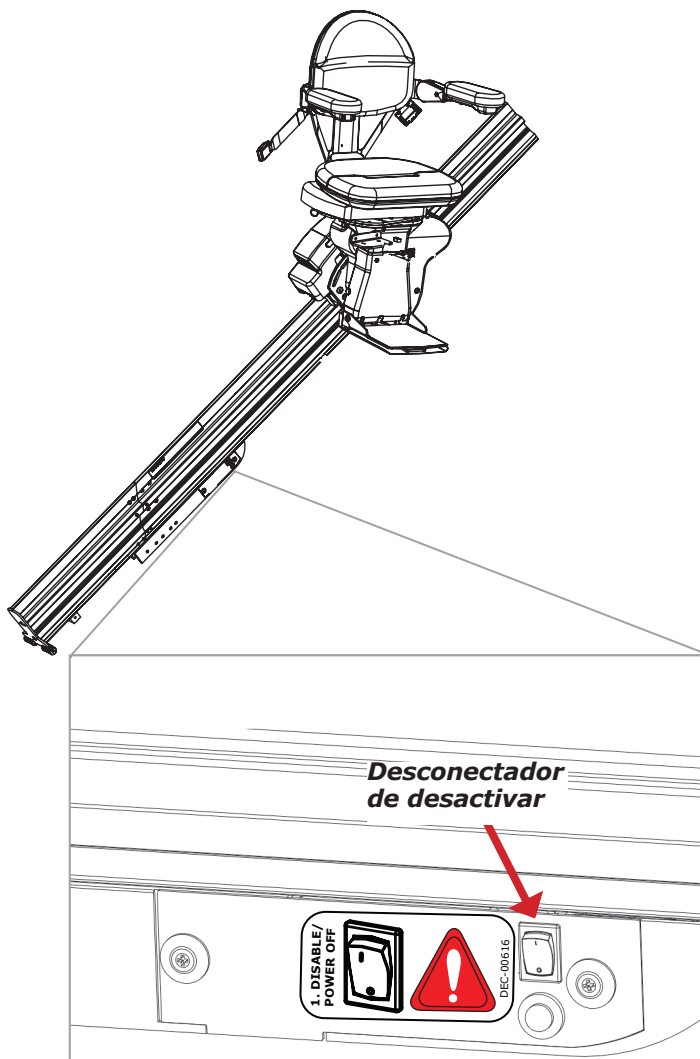
## EDUCACIÓN DEL CLIENTE (continuación)

**⚠ ADVERTENCIA**

**¡RIESGO DE LESIÓN!**

NO suba al salvaescaleras hasta que todos los soportes estén fijados correctamente.

No cumplir con observar esta advertencia puede causar lesiones personales o daños en el equipo.



4. **Entrene al cliente para usar el salvaescaleras de manera correcta y segura.**

- Recuerde al cliente siempre abrocharse el cinturón de seguridad al usar el salvaescaleras.
- Pida al cliente que opere la unidad mientras usted está ahí para responder preguntas y resolver dudas.

• **Riel plegable manual:**

Al momento de plegar el riel hacia ARRIBA, el carro **DEBE** estar en una posición que permita al riel plegarse totalmente hacia arriba.

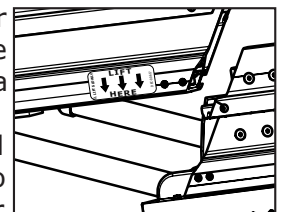
**El carro se dañará** si está debajo de la posición de estacionamiento media cuando el riel se pliegue hacia arriba.

• **Riel plegable eléctrico:**

Funcionará **únicamente** cuando el carro esté en posición de estacionamiento intermedia.

**Revise el interruptor desconectador.**

- El tablero de control incluye un interruptor desconectador. Oprima el desconectador hacia DESACTIVAR para prevenir que el riel se pliegue. Use este interruptor si el riel se va a mantener desplegado por un periodo de tiempo prolongado.
- El interruptor desconectador también permite desconectar la alimentación en el improbable caso de una emergencia.
- Asegúrese de levantar lentamente donde se indica por la calcomanía "LIFT HERE" en el riel corto. Levantar el riel en un movimiento rápido y repentino puede resultar en daño a la caja de cambios del riel plegable.
- Oprima el interruptor al lado contrario de DESACTIVAR para permitir que el riel se pliegue y despliegue correctamente con alimentación eléctrica.



**NOTA: Si el riel plegable eléctrico se detiene, y luego retrocede ligeramente, y NO HAY NINGUNA OBSTRUCCIÓN, llame al Servicio técnico de Bruno.**

## REPROGRAMAR TRANSMISORES REMOTOS

**NOTA: El canal operativo de dos (2) transmisores incluidos con SRE-2010 es preajustado en la fábrica Bruno.**

*Razones para reprogramar los transmisores:*

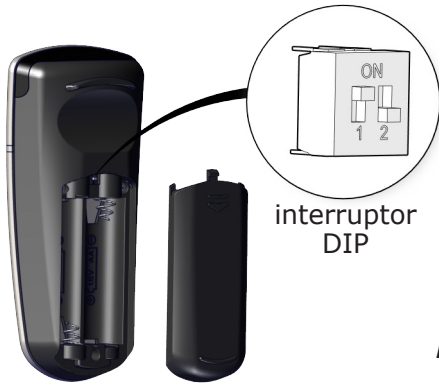
- múltiples unidades en la misma ubicación;
- es necesario reemplazar transmisores.

**Reajuste el canal operativo de los transmisores:**

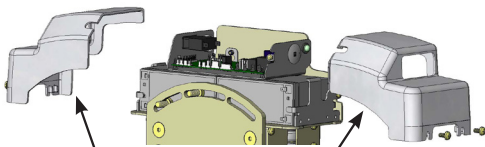
1. Quite el panel de acceso a la batería del o los transmisores.
2. Ubique el interruptor DIP (Fig. 1).
3. Cambie AMBOS interruptores DIP del transmisor a uno (1) de cuatro (4) opciones posibles.
  - **1 arriba, 2 abajo**  
(ajuste predeterminado de fábrica)
  - **1 arriba, 2 arriba**
  - **1 abajo, 2 arriba**
  - **1 abajo, 2 abajo**

**Reprogramación de transmisores:**

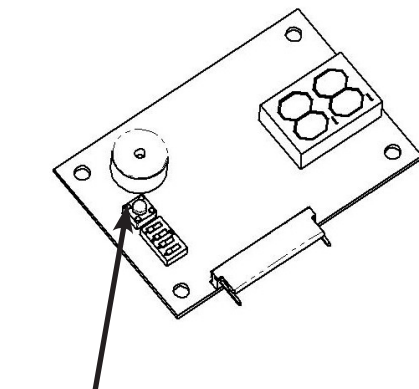
1. Apague el interruptor automático.
2. Quite la cubierta de la bisagra del asiento para exponer la tablilla de circuito.
3. Para la unidad izquierda, quite la cubierta del lado inferior del gabinete de control (Fig. 2); para la unidad derecha, quite la cubierta del lado superior del gabinete de control para ver LEARN/ ERASE LED (LED de aprender/borrar) en la tablilla de circuito.
4. Apague el interruptor automático. Espere el pitido "de encendido".
5. Localice el botón LEARN/ERASE (aprender/borrar) en la tablilla de circuito (Fig. 3).
6. **Borrar memoria.**
  - Sostenga oprimido el botón LEARN/ERASE (aprender/borrar) hasta que el LED en la tablilla de circuito se apague (aproximadamente 12 segundos).



**Fig. 1**



tapas del gabinete de control **Fig. 2**



Botón LEARN/ERASE  
(aprender/borrar)

**Fig. 3**

## **REPROGRAMAR TRANSMISORES REMOTOS (continuación)**

7. Oprima y sostenga el botón LEARN/ERASE (aprender/borrar) (el LED en la tablilla de circuito está encendido). A medida que el botón LEARN/ERASE (aprender/borrar) es oprimido, oprima cualquiera de los botones del transmisor remoto hasta que el LED se apague (aproximadamente 2 a 5 segundos).
8. Libere ambos botones. Ahora el control remoto ya está programado.
9. **Pruebe la operación del transmisor** oprimiendo cualquiera de los botones del transmisor.
  - *Si el carro se mueve, la nueva configuración ha sido aceptada y el transmisor se ha reprogramado.*
  - *Si el carro no se mueve, repita los pasos del 6 al 9.*
10. Verifique que todos los transmisores estén ajustados a la misma configuración del interruptor DIP.

**NOTA: Solo es necesario reprogramar un transmisor si todos los interruptores DIP están ajustados iguales.**
11. Apague el interruptor de circuito.
12. Reinstale la tapa o tapas del gabinete de control y la cubierta de la bisagra del asiento.
13. Apague el interruptor automático. Verifique el funcionamiento correcto de todas las funciones.

## MODO DE DIAGNÓSTICO DE USUARIO ÚNICO vs. MÚLTIPLES USUARIOS



Antes de tocar nada en el carro conéctese a tierra tocando una superficie metálica sin recubrimiento en la unidad, tal como un perno expuesto o uno de los tornillos de montaje en el tablero eléctrico. Mientras trabaja, toque regularmente una superficie metálica sin recubrimiento para disipar cualquier electricidad estática que pudiera dañar los componentes internos.

**NOTAS:** Las unidades se envían en modo de múltiples usuarios.

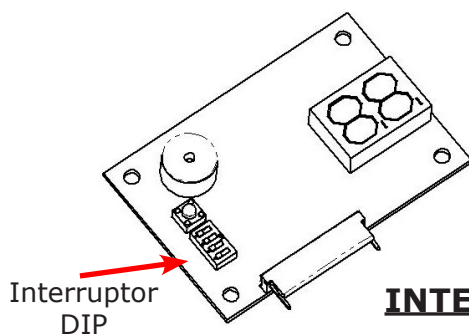
**Modo multiusuario significa que cuando el asiento se gira sobre un eje en la parte superior del riel, unidad emite un pitido una vez cada tres 3 segundos.**

**Modo de usuario único significa que cuando el asiento se gira sobre un eje en la parte superior del riel, no pitidos se oyen.**

<b>REFERENCIA AUDIO</b>	
Chirrido	0.25 segundo
Pitido corto	0.50 segundo
Pitido largo	1.50 segundos
Pausa	1.00 segundo

### **Cambiar de modo de Múltiples usuarios a Usuario único**

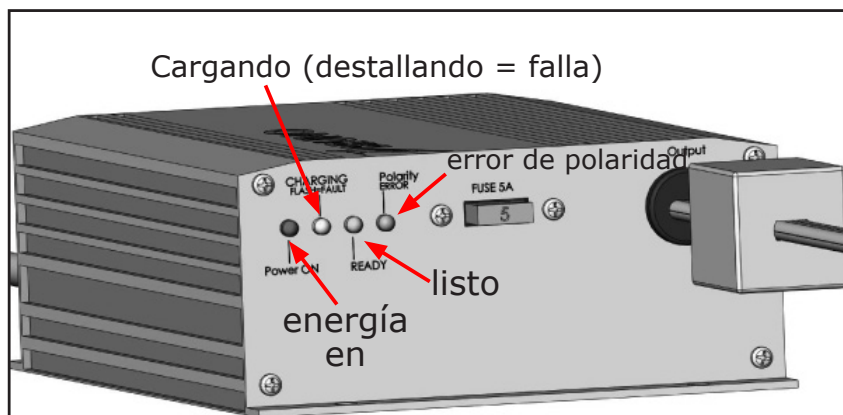
1. Apague el interruptor de circuito.
2. Pliegue el asiento. Quite los tornillos que sujetan la cubierta de la bisagra del asiento para obtener acceso a la interfaz.
3. Los cambios se hacen a través de las posiciones #1 y #2 en el interruptor DIP de 4 combinaciones (ver diagrama a continuación).
4. Reinstale la cubierta de la bisagra del asiento.
5. Encienda el interruptor automático, espere al pitido de 'encendido'.



### **INTERRUPTOR DIP DE 4 COMBINACIONES**

<b>MODO DE DIAGNÓSTICO</b>	<b>POSICIÓN DE INTERRUPTOR DIP</b>	
	<b>#1</b>	<b>#2</b>
Múltiples usuarios	APAG	APAG
Usuario único	APAG	ENC
Silencioso	ENC	APAG
Solo advertencias de batería	ENC	ENC

## INFORMACIÓN DE LED DE CARGADOR DE BATERÍA



ESTADO	ROJO	AMARILLO	VERDE	AZUL	COMENTARIO
Alimentación de CA sin batería conectada	ENCENDIDO	ENCENDIDO (<1 seg) APAGADO	APAGADO	APAGADO	El cargador no ha sido conectado a ninguna batería.
Energía CA encendida desconexión de batería según evento	ENCENDIDO (<5 seg) ENCENDIDO ENCENDIDO	ENCENDIDO (<5 seg) APAGADO APAGADO	ENCENDIDO (<5 seg) PARPADEO (5 seg) APAGADO	APAGADO	Esta función detecta cualquier situación de desconexión de la batería y tiene un retardo de 5 segundos hasta que el amarillo y el verde se apaguen por completo.
carga a granel (corriente constante)	ENCENDIDO	ENCENDIDO	APAGADO	APAGADO	En esta etapa el cargador está suministrando la corriente máxima (2.2A)
tensión constante	ENCENDIDO	ENCENDIDO	APAGADO	APAGADO	En esta etapa el cargador ha alcanzado su máxima tensión y la corriente sigue bajando.
carga de flotación	ENCENDIDO	APAGADO	ENCENDIDO	APAGADO	En esta etapa las baterías están completamente cargadas. Ocasionalmente, el LED amarillo se apaga.
<b>condiciones anormales:</b>					
• indicación de bajo voltaje	ENCENDIDO	PARPADEO ALTERNATIVAMENTE	PARPADEO ALTERNATIVAMENTE		Esta función indica que la tensión de la batería no está aumentando a un nivel aceptable.
• batería/sulfatación en malas condiciones	PARPADEO ALTERNATIVAMENTE	PARPADEO ALTERNATIVAMENTE	APAGADO	APAGADO	Esta función indica que las baterías están fuertemente sulfatadas o son defectuosas.
• mal contacto/sulfatación parcial de la batería	ENCENDIDO	APAGADO	PARPADEO RÁPIDO		Esta función indica un circuito parcialmente abierto. Mal contacto o sulfatación de la batería.
conector de batería invertido				ENCENDIDO	

# AJUSTES POSINSTALACIÓN

## AJUSTE DE ALTURA DEL DESCANSAPIÉS



1. Quite cuatro (4) pernos M10 x 16mm.
2. Afloje el perno del soporte del asiento (M10) que conecta el asiento al carro.
3. Deslice el asiento hacia arriba o abajo.
4. Alinee los agujeros en el poste de asiento con los agujeros en la placa de montaje del descansapiés a la altura deseada.
5. Reinserte los pernos M10 x 16mm y las arandelas correspondientes.
6. Apriete.
7. Vuelva a apretar el perno del soporte del asiento que conecta el asiento al carro.

### NOTAS:

- Si eleva el descansapiés y luego desea ajustar la altura del asiento, no será posible montar el asiento en la posición más alta. El asiento ya no podrá enganchar apropiadamente con el soporte del asiento. (Ver las tablas y la imagen de la izquierda).
- Si desea montar el asiento en una de las posiciones “~”, contacte a un Representante de servicio de Bruno para pedir un soporte inferior del asiento grande (SRE-20710).

*Posición de altura del asiento  
(altura de asiento total en pulgadas)*

<i>Posición de descansapiés</i>	0	1	2	3
0	21.75	22.75	23.75	24.75
0.63	22.38	23.38	24.38	~
1.26	23.01	24.01	~	~

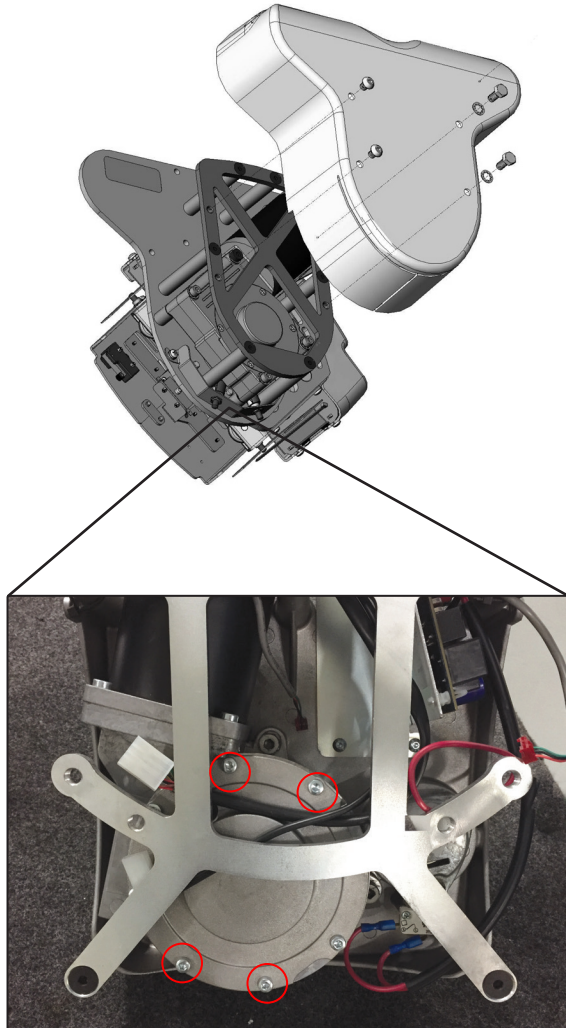
NOTA: 0,0 = ajuste de fábrica  
~ = excede la longitud de la ranura del soporte de asiento

*Posición de altura del asiento  
con SRE-20710  
(altura de asiento total en pulgadas)*

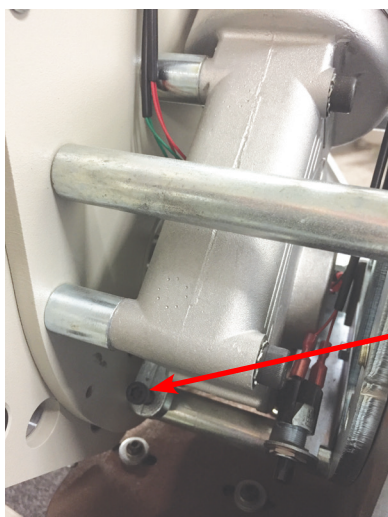
<i>Posición de descansapiés</i>	0	1	2	3
0	X	X	23.75	24.75
0.63	X	23.38	24.38	25.38
1.25	23.00	24.00	25.00	26.00



## AJUSTE DE LA TRANSMISIÓN



**Fig. 1**



**Fig. 2**

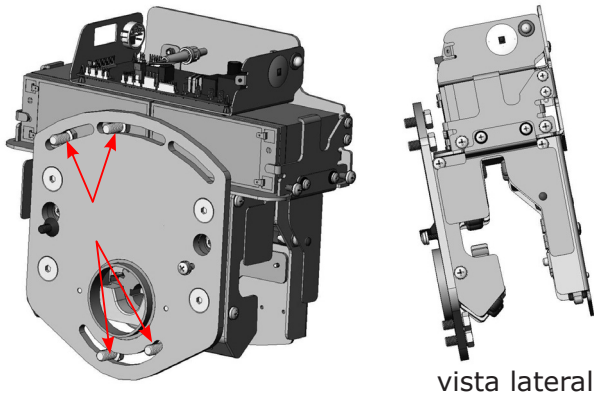
Aunque cada SRE-2010 se opera en un riel de prueba antes de embarcarse, puede haber ligeras diferencias entre el riel de prueba y el riel instalado en el sitio. Estas diferencias pueden resultar en una vibración del carro pequeña pero objetable.

### **Ajuste la cremallera y piñón para eliminar la vibración.**

1. Asegúrese de que la cremallera esté engrasada apropiadamente.  
Inspeccione ambos la cremallera y el piñón para eliminar contaminantes.
2. Quite el asiento y el descansapiés.
3. Con el carro instalado en el riel, y los puentes instalados en el carro, opere la unidad (cargada y descargada) arriba y abajo en el riel unos cuantos pies de distancia. Escuche y observe si hay vibración.
  - a. Si la unidad vibra únicamente en dirección abajo, el carro y el riel están ajustados demasiado flojos.
  - b. Si la unidad vibra al correr hacia arriba y abajo, el carro y el riel están ajustados demasiado apretados. El engrane debe asentarse más afuera del cremallera.
4. En ambos casos, afloje (PERO **SIN QUITAR**) cuatro (4) pernos de montaje de la transmisión (Fig. 1) de 1 a 2 vueltas usando llaves Allen 5mm y 6mm.
5. Apriete el tornillo nivelador 1/8 de vuelta (Fig. 2).
6. Opere el carro en el riel alrededor de 3' (1 m) en cada dirección con los pernos aún flojos. Esto permite que el piñón encuentre al centro natural de la cremallera.
  - Si el carro funciona suavemente, vuelva a apretar los pernos de montaje de la transmisión.
  - Si el carro no funciona suavemente, repita el paso 5.
7. Asegúrese de que la transmisión no se mueva, al momento de apretar y reapretar los cuatro (4) pernos de montaje de la transmisión.

# AJUSTES POSINSTALACIÓN

## AJUSTE DE ÁNGULO DEL CARRO

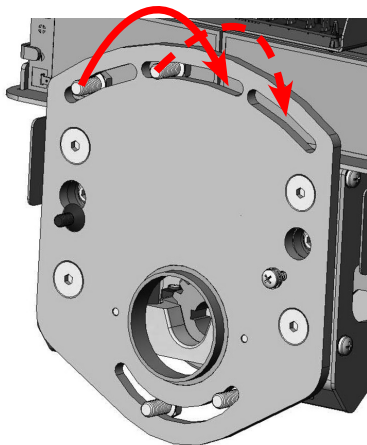


**Fig. 1**

1. Quite las tapas frontal y superior del carro.
2. Quite las baterías.

**NOTA: No permita que hagan tierra los postes de la batería con las placas de acero mientras las quita.**

3. Afloje cuatro (4) pernos de cabeza hexagonal (Fig. 1).
4. Posicione el carro al ángulo deseado.
5. Apriete cuatro (4) pernos de cabeza hexagonal.
6. Reinserte las baterías y reconecte.
7. Reinstale y fije las tapas frontal y superior del carro.



**Fig. 2**

**NOTA: La placa de ajuste de ángulo (Fig. 2) está diseñada con múltiples ranuras (en lugar de una sola ranura abierta continua) para mayor seguridad.**

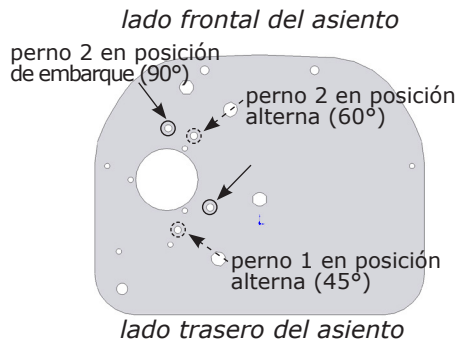
**Los pernos son insertados en la fábrica en las ranuras para adaptarse al rango "normal" de los ajustes de ángulo.**

**No obstante, su aplicación puede requerir ángulos que sean más o menos inclinados de lo "normal".**

**En este caso, quite los pernos y reinsértelos en las ranuras adjuntas.**

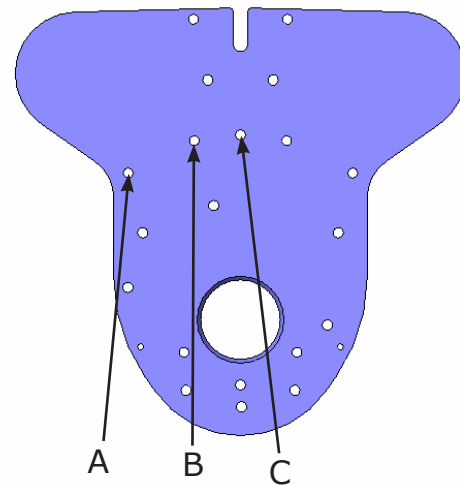
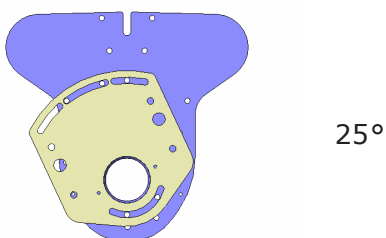
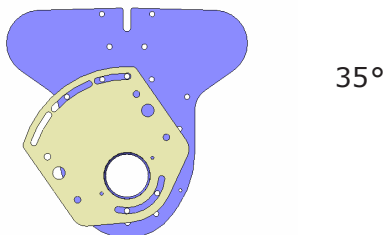
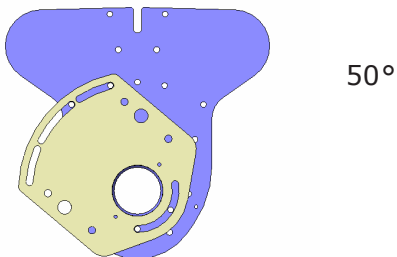
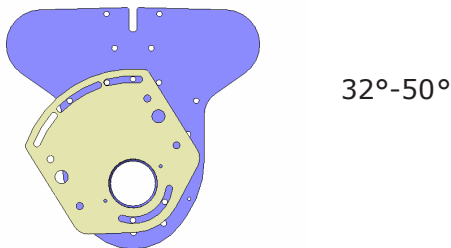
## AJUSTE DEL TOPE DEL MECANISMO GIRATORIO DEL ASIENTO

**se muestra la orientación izquierda  
(vista superior)**



1. Quite la cubierta de la bisagra inferior del asiento.
2. Quite los pernos 1 y 2, en posición de embarque.
3. Gire el asiento para exponer los agujeros para los pernos 1 y 2, alterne posiciones.
4. Aplique Loctite 242® (azul) a los pernos 1 y 2, inserte y apriete al par de apriete apropiado.
5. Reinstale la cubierta inferior de la bisagra del asiento y fije con sus dos (2) tornillos.

## AJUSTE DEL CARRO



Ángulo Rango	Ubicación de perno		
	A	B	C
32°-50°	Perno 1	Perno 2	Ninguno
25°-35°	Perno 1	Ninguno	Perno 2

Debajo de 25°, use cualquiera de dos (2) de los cinco agujeros roscados que dan una distancia máxima entre los agujeros para esa ubicación.

# AJUSTES POSINSTALACIÓN

## AJUSTE DE EXTENSIÓN DEL DESCANSABRAZOS



**Fig. 1**



**Fig. 2**



**Fig. 3**



**Fig. 4**



**Fig. 5**

1. Quite la tapa del mecanismo giratorio del brazo (Fig. 1).
2. Corte la abrazadera de cables (Fig. 2).
3. Quite tres (3) tornillos del soporte del brazo (Fig. 3).

4. Deslice el brazo fuera a la posición que mejor se adapte al usuario (Fig. 4).

**NOTA: Hay tres (3) posibles ajustes.**

5. Inserte y apriete tres (3) tornillos del soporte del brazo.
6. Bobine el cable en un bucle de servicio (no requiere abrazadera de cables).
7. Reinstale la tapa del mecanismo giratorio del brazo y fije la misma con su tornillo.
  - ***¡No sobreapriete!***
  - ***Asegúrese de que el cable se asiente sobre la ranura de la tapa (Fig. 5).***
8. Repita estos pasos para el lado opuesto (unidades sin un interruptor de llave).

<p align="center"><b>LA UNIDAD NO FUNCIONA/ NO ESTÁ CARGANDO</b></p>	<ul style="list-style-type: none"> <li>• Revise el interruptor automático. <i>Reajuste si es necesario.</i></li> <li>• Revise las conexiones de la batería.</li> <li>• Revise los interruptores de seguridad del descansapiés para ver si alguno de estos interruptores de límite está disparado. <i>El deslizamiento de la bandeja de seguridad debajo del descansapiés debe ser libre y sin pegarse en una posición que dispare uno de los interruptores de seguridad.</i></li> <li>• Revise que las baterías estén bien cargadas. <i>El voltaje de batería debe estar dentro del rango de 16 a 28 V CC.</i></li> <li>• Verifique que el interruptor de llave esté ENCENDIDO.</li> </ul>
<p align="center"><b>LA UNIDAD FUNCIONA LENTAMENTE, LE FALTA FUERZA</b></p>	<ul style="list-style-type: none"> <li>• Verifique que las baterías descargadas.</li> <li>• Revise que no haya conexiones flojas.</li> <li>• Revise que el cargador esté enchufado y funcionando.</li> </ul>
<p align="center"><b>LA UNIDAD FUNCIONA EN RETROCESO SIN EL TRANSMISOR REMOTO; LA UNIDAD SUBE LENTAMENTE Y BAJA MUY RÁPIDO</b></p>	<ul style="list-style-type: none"> <li>• La unidad se ha instalado en el lado derecho de las escaleras y el interruptor DIP no se ha ajustado al lado derecho y/o el asiento no se ha instalado.</li> </ul>
<p align="center"><b>LA UNIDAD FUNCIONA EN FORMA ERRÁTICA O INTERMITENTE CON EL TRANSMISOR REMOTO</b></p>	<ul style="list-style-type: none"> <li>• Revise todos los mecanismos de seguridad, incluido el interruptor de seguridad del asiento giratorio.</li> <li>• Reoriente el transmisor al punto directamente en el carro.</li> <li>• Consulte con su distribuidor, un técnico experimentado o llame al departamento de Servicio técnico de Bruno.</li> </ul>
<p align="center"><b>LA UNIDAD FUNCIONA EN FORMA ERRÁTICA O INTERMITENTE CON UN USUARIO USANDO EL DESCANSABRAZOS INTERRUPTOR DE CONTROL MONTADO</b></p>	<ul style="list-style-type: none"> <li>• Revise el interruptor de seguridad del asiento giratorio.</li> <li>• Revise que la bandeja de seguridad del descansapiés no esté arrastrando en los escalones topando o arrastrando basura en las escaleras.</li> <li>• Revise que no haya basura en el riel que pueda activar los interruptores de seguridad (paneles del descansapiés y carro).</li> </ul>
<p align="center"><b>LA UNIDAD NO FUNCIONA EXCEPTO CUANDO EL ASIENTO ESTÉ POSICIONADO DE CARA HACIA EL LADO ABIERTO DE LAS ESCALERAS</b></p>	<ul style="list-style-type: none"> <li>• Esta es la operación de elevación correcta.</li> <li>• Un interruptor de seguridad en el mecanismo giratorio del asiento evita que la unidad funcione con el asiento "fuera de posición".</li> </ul>
<p align="center"><b>LA UNIDAD NO FUNCIONA CON EL TRANSMISOR REMOTO</b></p>	<ul style="list-style-type: none"> <li>• Revise las baterías en el control remoto.</li> <li>• Dirija el transmisor al carro.</li> <li>• Los transmisores deben estar programados.</li> </ul>
<p align="center"><b>LA UNIDAD NO SE APAGA CUANDO LLEGA AL TOPE EN EL EXTREMO DEL RIEL</b></p>	<ul style="list-style-type: none"> <li>• Verifique la operación correcta de los interruptores de límite en el carro.</li> </ul>
<p align="center"><b>PASEO ÁSPERO O CASTAÑETEO</b></p>	<ul style="list-style-type: none"> <li>• Limpie el riel.</li> <li>• Aplique una pequeña cantidad de grasa <b>en la cremallera únicamente.</b></li> </ul>

## CÓDIGOS DE DIAGNÓSTICO

Referencia cruzada el código que se muestra debajo del asiento con la tabla siguiente.

Grupo de lectura/diagnóstico (indicador de grupo)	S - Sólido = condición normal. CF - El distello continuo = Fallo de diagnóstico	VISUAL		AUDIBLE		VISUAL		AUDIBLE		AUDIBLE			
		Segmento 1	Segmento 2	Modo 1 S1-Apagado S2-Apagado	Modo 2 S1-Apagado S2-Encendido	Modo 3 S1-Encendido S2-Apagado	Modo 4 S1-Encendido S2-Encendido	Segmento 1	Segmento 2	Modo 1 S1-Apagado S2-Apagado	Modo 2 S1-Apagado S2-Encendido	Modo 3 S1-Encendido S2-Apagado	Modo 4 S1-Encendido S2-Encendido
		SRE-2010 NUEVO (PCB-00133/136)											
<b>Grupo de la condición de la carga/de batería ©</b>													
Carga (cargador detectado)	S	C	1	ninguno	ninguno	ninguno	ninguno	C	1	ninguno	ninguno	ninguno	ninguno
Fuera de carga (corriendo w/ "rockler" o remolc)	S	C	2	ninguno	ninguno	ninguno	ninguno	C	2	ninguno	ninguno	ninguno	ninguno
Apagado-cargue y no-parqueado (condición de avería)	CF	C	3	BBBBL	BBBBL	ninguno	ninguno	no corresponde	no corresponde	no corresponde	no corresponde	no corresponde	no corresponde
Estacionado y cargador no detectado	CF	C	4	BBBBL	BBBBL	ninguno	ninguno	C	4	BBBBL	BBBBL	BBBBL	BBBBL
Voltaje de la batería crítico (~16V)	CF	C	5	BBBBL	BBBBL	ninguno	ninguno	C	5	BBBBL	BBBBL	BBBBL	BBBBL
Voltaje de la batería bajo (< 18V)	CF	C	6	ninguno	ninguno	ninguno	ninguno	C	6	ninguno	ninguno	ninguno	ninguno
Movimiento giratorio motorizado (antes del SW Rev. 2.7 solamente-ver A6)	S	C	7	ninguno	ninguno	ninguno	ninguno	no corresponde	no corresponde	no corresponde	no corresponde	no corresponde	no corresponde
Reposicionado motorizado en movimiento (antes del SW Rev. 2.7 solamente-ver A7)	S	C	8	ninguno	ninguno	ninguno	ninguno	no corresponde	no corresponde	no corresponde	no corresponde	no corresponde	no corresponde
<b>Grupo de entrada del limitador interruptor (L)</b>													
SSS es abierto	S	L	1	S.M.C.P.P.P	S.M	ninguno	ninguno	L	1	S.M.C.P.P.P	S.M	ninguno	ninguno
El interruptor de límite de arriba está abierto	S	L	2	S.M	S.M	ninguno	ninguno	L	2	S.M	S.M	ninguno	ninguno
El interruptor de límite de abajo está abierto	S	L	3	S.M	S.M	ninguno	ninguno	L	3	S.M	S.M	ninguno	ninguno
Interruptor de llave está cerrado (no se utiliza actualmente)	S	L	4	M.P.P.C.C	M	ninguno	ninguno	no corresponde	no corresponde	no corresponde	no corresponde	no corresponde	no corresponde
El interruptor del doblar de asiento está abierto (no utilizado actualmente)	S	L	5	M	M	ninguno	ninguno	no corresponde	no corresponde	no corresponde	no corresponde	no corresponde	no corresponde
Parque de ferrocarril central activo	S	L	6	S	S	ninguno	ninguno	L	6	S	S	ninguno	ninguno
El interruptor de entrada del freno	S	L	7	M	M	ninguno	ninguno	no corresponde	no corresponde	no corresponde	no corresponde	no corresponde	no corresponde
El interruptor de parada suave	S	L	8	ninguno	ninguno	ninguno	ninguno	L	8	ninguno	ninguno	ninguno	ninguno
<b>Grupo de interruptores de operación (O)</b>													
El interruptor de balanceo para arriba	S	O	1	ninguno	ninguno	ninguno	ninguno	O	1	ninguno	ninguno	ninguno	ninguno
El interruptor de balanceo para abajo	S	O	2	ninguno	ninguno	ninguno	ninguno	O	2	ninguno	ninguno	ninguno	ninguno
El interruptor "Learn"	S	O	3	ninguno	ninguno	ninguno	ninguno	O	3	ninguno	ninguno	ninguno	ninguno
El remolc hasta	S	O	4	ninguno	ninguno	ninguno	ninguno	O	4	ninguno	ninguno	ninguno	ninguno
El remolc abajo	S	O	5	ninguno	ninguno	ninguno	ninguno	O	5	ninguno	ninguno	ninguno	ninguno
<b>Grupo de diagnósticos (d)</b>													
La prueba del pote de la velocidad falla (ábrase)	CF	d	1	ninguno	ninguno	ninguno	ninguno	d	1	ninguno	ninguno	ninguno	ninguno
La memoria de ID del transmisor está llena	CF	d	2	BLL	BLL	ninguno	ninguno	d	2	BLL	BLL	ninguno	ninguno
La memoria del programa es mala suma de comprobación	CF	d	3	None	None	ninguno	ninguno	d	3	ninguno	ninguno	ninguno	ninguno
La memoria del programa es mala suma de comprobación	CF	d	4	C.C.C.C	C.C.C.C	ninguno	ninguno	d	4	C.C.C.C	C.C.C.C	C.C.C.C	C.C.C.C
Avería de la temperatura excesiva	CF	d	5	C.C.C	C.C.C	ninguno	ninguno	d	5	C.C.C	C.C.C	C.C.C	C.C.C
Velocidad sobre pasee en temperatura alta	CF	d	6	ninguno	ninguno	ninguno	ninguno	d	6	ninguno	ninguno	ninguno	ninguno
Parada debido a la baja tensión	CF	d	7	C.C.C.C.C	C.C.C.C.C	ninguno	ninguno	d	7	C.C.C.C.C	C.C.C.C.C	C.C.C.C.C	C.C.C.C.C
El remolc no aprendido	CF	d	8	ninguno	ninguno	ninguno	ninguno	d	8	ninguno	ninguno	ninguno	ninguno
<b>Grupo de fallitas de relé FET</b>													
La unidad FET en cortocircuito	CF	F	1	ninguno	ninguno	ninguno	ninguno	F	1	ninguno	ninguno	ninguno	ninguno
El relé de seguridad en cortocircuito	CF	F	2	ninguno	ninguno	ninguno	ninguno	F	2	ninguno	ninguno	ninguno	ninguno
La avería del relés del H-puente	CF	F	3	ninguno	ninguno	ninguno	ninguno	F	3	ninguno	ninguno	ninguno	ninguno
El circuito de seguridad defectuoso	CF	F	4	ninguno	ninguno	ninguno	ninguno	F	4	ninguno	ninguno	ninguno	ninguno
Entrada de prueba alta (la falla interna, nunca debe suceder)	CF	F	5	ninguno	ninguno	ninguno	ninguno	F	5	ninguno	ninguno	ninguno	ninguno
Entrada de prueba baja (falla interna, nunca debe suceder)	CF	F	6	ninguno	ninguno	ninguno	ninguno	F	6	ninguno	ninguno	ninguno	ninguno
Auxiliar de la medición de corriente (antes del SW Rev. 2.7 solamente-ver A9)	CF	F	7	ninguno	ninguno	ninguno	ninguno	F	7	ninguno	ninguno	ninguno	ninguno
Un error de relé desconocido (nunca debe suceder)	CF	F	8	ninguno	ninguno	ninguno	ninguno	F	8	ninguno	ninguno	ninguno	ninguno

CÓDIGOS DE DIAGNÓSTICO (continuación)

Grupo de lectura/diagnóstico (indicador de grupo)	S - Sólido = condición 'normal' CF - El distello continuo = Fallo de diagnóstico	VISUAL		AUDIBLE		VISUAL		AUDIBLE				AUDIBLE			
		Segmento 1	Segmento 2	Modo 1 S1-Apagado S2-Apagado	Modo 2 S1-Encendido S2-Encendido	Modo 3 S1-Apagado S2-Encendido	Modo 4 S1-Encendido S2-Encendido	Segmento 1	Segmento 2	Modo 1 S1-Apagado S2-Apagado	Modo 2 S1-Encendido S2-Encendido	Modo 3 S1-Apagado S2-Apagado	Modo 4 S1-Encendido S2-Encendido		
		CRE & SRE		SRE-2010 NUEVO (PCB-00133/136)				SRE-3000 (PCB-00124/140)							
<b>Grupo auxiliar (AUX)</b>															
Activar estabón giratorio	S	A	1	ninguno	ninguno	ninguno	ninguno	A	1	ninguno	ninguno	ninguno	ninguno	ninguno	
El interruptor del dobléz del asiento está cerrado	S	A	2	ninguno	ninguno	ninguno	ninguno	A	2	ninguno	ninguno	ninguno	ninguno	ninguno	
El límite giratorio abierto	S	A	3	ninguno	ninguno	ninguno	ninguno	A	3	ninguno	ninguno	ninguno	ninguno	ninguno	
El límite de reposapiés arriba está abierto	S	A	4	ninguno	ninguno	ninguno	ninguno	A	4	ninguno	ninguno	ninguno	ninguno	ninguno	
El límite del reposapiés abajo está abierto	S	A	5	ninguno	ninguno	ninguno	ninguno	A	5	ninguno	ninguno	ninguno	ninguno	ninguno	
El actuador del estabón giratorio se bloquea	S	A	6	ninguno	ninguno	ninguno	ninguno	A	6	ninguno	ninguno	ninguno	ninguno	ninguno	
El actuador del reposapiés se bloquea	S	A	7	ninguno	ninguno	ninguno	ninguno	A	7	ninguno	ninguno	ninguno	ninguno	ninguno	
El actuador auxiliar es activo	S	A	8	ninguno	ninguno	ninguno	ninguno	A	8	ninguno	ninguno	ninguno	ninguno	ninguno	
El actuador de auxiliar muestra un fallo	CF	A	9	ninguno	ninguno	ninguno	ninguno	A	9	ninguno	ninguno	ninguno	ninguno	ninguno	
Auxiliar comunicación muestra un fallo	CF	A	0	ninguno	ninguno	ninguno	ninguno	A	0	ninguno	ninguno	ninguno	ninguno	ninguno	
<b>Grupo de riel de energía</b>															
Límite del carril para arriba	S	P	1	ninguno	ninguno	ninguno	ninguno	P	1	ninguno	ninguno	ninguno	ninguno	ninguno	
Límite del carril para abajo	S	P	2	ninguno	ninguno	ninguno	ninguno	P	2	ninguno	ninguno	ninguno	ninguno	ninguno	
El riel está desactivado	S	P	3	ninguno	ninguno	ninguno	ninguno	P	3	ninguno	ninguno	ninguno	ninguno	ninguno	
Reservado		P	4	ninguno	ninguno	ninguno	ninguno	P	4	ninguno	ninguno	ninguno	ninguno	ninguno	
Reservado		P	5	ninguno	ninguno	ninguno	ninguno	P	5	ninguno	ninguno	ninguno	ninguno	ninguno	
El actuador del carril se bloquea	S	P	6	ninguno	ninguno	ninguno	ninguno	P	6	ninguno	ninguno	ninguno	ninguno	ninguno	
El actuador del carril es activo	S	P	7	ninguno	ninguno	ninguno	ninguno	P	7	ninguno	ninguno	ninguno	ninguno	ninguno	
El actuador del carril tiene un fallo	CF	P	8	ninguno	ninguno	ninguno	ninguno	P	8	ninguno	ninguno	ninguno	ninguno	ninguno	
Fallo de comunicación de riel	CF	P	9	ninguno	ninguno	ninguno	ninguno	P	9	ninguno	ninguno	ninguno	ninguno	ninguno	
Tiempo de ejecución en segundos (ninguna exhibición, 4 octetos en EEPROM)	ninguno	ninguno	ninguno	ninguno	ninguno	ninguno	ninguno	ninguno	ninguno	ninguno	ninguno	ninguno	ninguno	ninguno	
				B = 0.5 segundo tono		L = 1 segundo tono				B = 0.5 segundo tono		L = 1 segundo tono			
				C = 0.25 segundo tono		P = 1 segundo sin tono				C = 0.25 segundo tono		P = 1 segundo sin tono			
				S = 0.25 segundo tono cuando se abre		M = 0.25 segundo tono cuando el movimiento				S = 0.25 segundo tono cuando se abre		M = 0.25 segundo tono cuando el movimiento			
<b>Códigos audibles adicionales</b>															
Varios botones pulsados en el encendido		BBP?????	BBP?????	ninguno	ninguno	ninguno	ninguno	BBP?????	BBP?????	BBP?????	BBP?????	ninguno	ninguno	BBP?????	BBP?????
Botones múltiples presionados		BBP?????	BBP?????	ninguno	ninguno	ninguno	ninguno	BBP?????	BBP?????	BBP?????	BBP?????	ninguno	ninguno	BBP?????	BBP?????
				Los signos de interrogación señalan un pitido largo. La señal sonora larga indica que el interruptor está activo en el encendido o si se presionan los interruptores múltiples (en este orden): interruptor de oscilación izquierdo, interruptor de oscilación derecho, aprenda el interruptor, interruptor para arriba alejado, interruptor abajo alejado.										Los signos de interrogación señalan un pitido largo. La señal sonora larga indica que el interruptor está activo en el encendido o si se presionan los interruptores múltiples (en este orden): interruptor de oscilación izquierdo, interruptor de oscilación derecho, aprenda el interruptor, interruptor para arriba alejado, interruptor abajo alejado.	

# SOLUCIÓN DE PROBLEMAS

## REAJUSTE LA UNIÓN DEL RIEL PLEGABLE

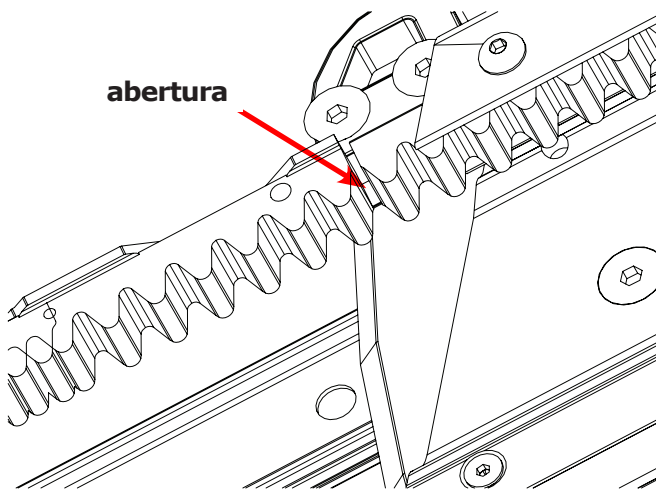


Fig. 1

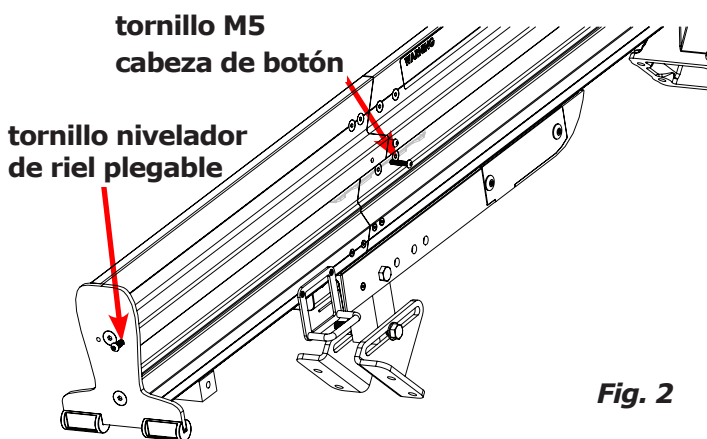


Fig. 2

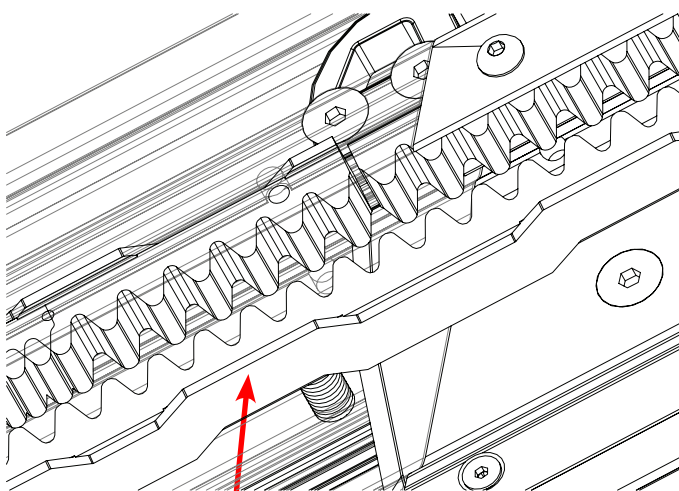


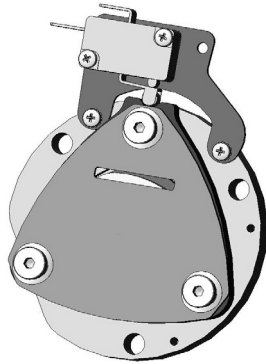
Fig. 3

1. Confirme el ajuste de fábrica de la abertura de la cremallera (espacio ligero entre riel principal y las cremalleras del riel plegable) esté en la unión plegable (Fig. 1).
2. Afloje el tornillo nivelador del riel plegable después de que el tornillo nivelador en la placa de extremo superior haya sido apretado.
3. Afloje el tornillo cabeza de botón M5 que sujeta la cremallera del riel plegable (Fig. 2).
4. Use una pieza de cremallera de repuesto para cubrir la unión entre el riel principal y el riel plegable (Fig. 3). Esto asegura que el paso se mantenga para un desplazamiento seguro de la transmisión y el engrane de sobrevelocidad (SRE-2010C/OS únicamente) a través de la unión.
5. Apriete lentamente el tornillo nivelador del riel plegable hasta que la pieza de cremallera suelta se caiga.
6. Apriete el tornillo cabeza de botón M5 para sujetar la pieza superior del riel plegable corto.

**NOTA: ¡NUNCA quite el tornillo del riel principal del riel! El carro y los segmentos de cremallera se caerán.**



## SOBREVELOCIDAD PARA LAS INSTALACIONES DE SRE-2010C & SRE-2010OS

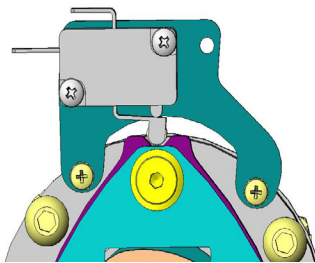


**Fig. 1**

La sobrevelocidad es un dispositivo de seguridad diseñado para prevenir la operación del salvaescaleras si se excede la velocidad de desplazamiento descendente.

Cuando el interruptor de sobrevelocidad se dispara, la rueda no estará en el centro de la muesca (concavidad). Ver Fig. 1.

**Debe reajustar el interruptor de seguridad** para permitir que la unidad funcione (Fig. 2).



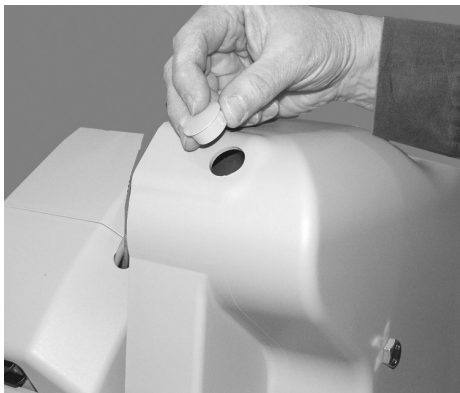
**Fig. 2**

### **Reajuste el interruptor de sobrevelocidad**

1. Quite la tapa de acceso del lado del motor (Fig. 3).
2. Usando una herramienta dado 5/16, gire el motor de transmisión **en sentido del reloj** para mover el carro hacia ARRIBA.

### **El interruptor de sobrevelocidad debe reajustarse automáticamente.**

3. Revise los daños al sistema de transmisión.
4. Si el sistema de transmisión no está dañado, use el interruptor de volquete para accionar el carro fuera del riel para una inspección más completa.



**Fig. 3**

### **Si el interruptor no se reajusta**

1. Quite dos (2) cubiertas frontales.
2. Quite el asiento.
3. Quite el descansapiés.
4. Quite la tapa de la transmisión.
5. Gire el aro de leva de modo que el rodillo del interruptor quede centrado en la concavidad de la leva.
6. Quite e inspeccione ambos el sistema de transmisión y el carro.
7. Si es posible, repare según sea necesario y vuelva a ensamblar. De lo contrario, devuelva la unidad a la fábrica para servicio.



**Fig. 4**

## **GARANTÍA LIMITADA Bruno GOLD PARA SALVAESCALERAS** **duración limitada en componentes principales – 2 años en piezas**

Bruno Independent Living AIDS, Inc. (Bruno) confía en sus unidades salvaescaleras diseñadas y construidas por Estados Unidos y se complace en proporcionar al comprador original de un salvaescaleras de Bruno la siguiente garantía de "industria líder".

La calidad de las piezas usadas, junto con el cuidado de los empleados de Bruno en la construcción de los productos de Bruno, permiten a Bruno proporcionar la cobertura de garantía siguiente al comprador original de las salvaescaleras de Bruno:

- ◇ Todas las piezas, excepto los componentes principales, estarán/estarán libres de defectos de material y mano de obra por un período de dos (2) años después de la fecha de instalación por un distribuidor autorizado de Bruno.
- ◇ Todos los componentes principales, que incluye el motor, la transmisión de la caja de engranajes y el sistema ferroviario de la salvaescalera de Bruno, están/serán libres de defectos en material y la ejecución por la vida de la salvaescalera de Bruno y mientras el comprador original posea de la salvaescalera.
- ◇ Todo el trabajo, a ser proporcionado por un distribuidor autorizado de Bruno, para hacer frente a cualquier defecto de la salvaescalera de Bruno se cubre por los primeros treinta (30) días después de la instalación de los mismos por un distribuidor autorizado de Bruno.
- ◇ Todas las garantías de Bruno comienzan en la fecha de la instalación de la salvaescalera de Bruno por un distribuidor autorizado Bruno pero esa fecha debe ser no más adelante de 14 meses después de que fuera enviada de la fábrica.

Bruno concesionarios autorizados están entrenados para evaluar su situación única y luego instalar el mejor salvaescalera de Bruno para satisfacer sus necesidades. Los técnicos de instalación y servicio entrenados empleados por un distribuidor autorizado de Bruno tienen el equipo y los recursos apropiados necesarios para instalar y mantener correctamente a salvaescalera de Bruno y deben ser el primer contacto para cualquier necesidad de la garantía o del servicio.

### **LO QUE NO CUBRE LA GARANTÍA:**

- ◇ Daños a las unidades causadas por mal uso, abuso, accidentes, negligencia o modificaciones NO hechas por un Distribuidor Autorizado Bruno.
- ◇ Artículos consumibles como las baterías del control remoto.
- ◇ Toda la mano de obra realizada por un Distribuidor Autorizado Bruno después de los primeros treinta (30) días contados a partir de la instalación.
- ◇ Desgaste y deterioro razonable.

### **NOTAS ADICIONALES:**

- ◇ Todos los servicios y garantías deben ser señalados a la atención de un distribuidor autorizado de Bruno. Para asegurar la cobertura de la garantía todos los trabajos de mantenimiento y reparación en la salvaescalera de Bruno, excepto el mantenimiento proporcionado por el comprador original como se requiere en el manual del propietario, deben ser realizados por un distribuidor autorizado de Bruno.
- ◇ En ningún caso, Bruno se hará responsable por daños y perjuicios, fortuitos, directos o indirectos, aun cuando los daños surjan a partir de reclamos basados en contratos, garantía, agravios (incluida negligencia, responsabilidad limitada o responsabilidad de producto).
- ◇ Bruno, a su entera discreción, se reserva el derecho de reemplazar, reparar o, si no es comercialmente práctico y/o factible, elegir reembolsar al comprador original el precio de compra de la salvaescalera de Bruno.
- ◇ Esta garantía otorga al comprador original derechos legales específicos para los cuales el comprador original también puede tener otros derechos que varían de estado a estado. Bruno no autoriza específicamente a ninguna persona a extender el tiempo o el alcance de esta garantía.

Para más información sobre esta garantía limitada, póngase en contacto con Bruno utilizando la información de contacto que se muestra a continuación:

En Norteamérica:

Bruno Independent Living Aids, Inc.®  
Attn: Departamento de servicio  
1780 Executive Drive  
Oconomowoc, Wisconsin 53066 United States  
Tel. (toll free) 1-800-882-8183

En en Reino Unido y Europa:

Bruno  
Unit 5, Millennium Court,  
Clayhill Industrial Park Neston,  
Wirral CH64 3UZ Reino Unido  
Tel. 0151 559 0732



## CERTIFICADO DE DECLARACIÓN DE CONFORMIDAD CON CE

Nosotros:

Bruno Independent Living Aids, Inc.®

Oficinas principales en:

1780 Executive Drive  
Oconomowoc, WI 53066 EE.UU.  
Una compañía con certificación ISO-9001:2008

Planta en UE:

Unit 5, Millennium Ct  
Clayhill Industrial Park  
Neston, Wirral, CH64 3UZ Reino Unido

Declaramos que bajo nuestra sola responsabilidad, nuestro producto fabricado:

MODELO: SRE-2010

Número de serie: { Datos para la sección a la izquierda se aplican en la fábrica  
Fecha de manufactura: { en la fecha de fabricación de la línea de montaje.

se ha diseñado y probado cumpliendo (según corresponda) con las siguientes leyes, normas, especificaciones y estándares pertenecientes a la Norma de Maquinaria o Salvaescaleras Inclinadas Motorizadas para personas con discapacidades físicas:

NORMAS	ESTÁNDARES
2004/108/EC Norma de Compatibilidad electromagnética	EN 81-40:2008
2006/42/EC Norma de Maquinaria	EN 60204 Parte 1:2006
2006/95/EC Norma de Bajo Voltaje	EN 60335 Parte 1:1994
	EN ISO 12100-2:2003
	EN 294:1992
	EN 61000
	EN 954 Parte 1:1996
	EN ISO 12100-1:2003
	EN 349:2008
	CISPR 11

Cuando se instala de conformidad con las especificaciones del fabricante y se opera de conformidad con las instrucciones de operación del fabricante.

Por medio de lo presente designamos a:


Bruno  
Unit 5, Millennium Court  
Clayhill Industrial Park  
Neston, Wirral CH64 3UZ  
Reino Unido


Para fungir como Representante responsable del fabricante y tenedor de los archivos técnicos.

Fecha de emisión: 02 abril 2018  
Localidad: Oconomowoc, WI EE.UU.

Neston, Reino Unido

POR:

  
William W. Belson, III  
Director de Ingeniería

  
Robert J. Hambleton  
General y Gerente Técnico

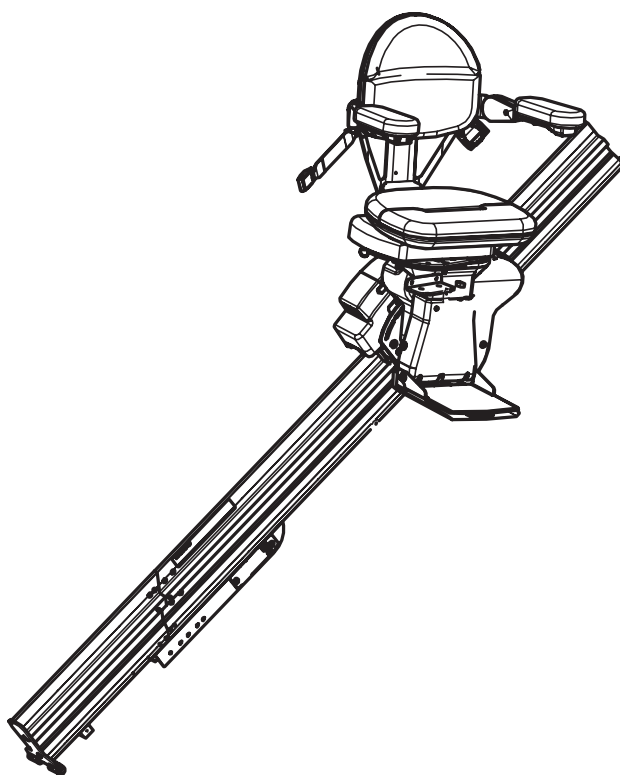
REVISIÓN:  
POR:







**SRE-2010**  
***ELITE***  
***monte-escalier droit***



**GUIDE D'INSTALLATION**  
**08 FÉVRIER 2019**  
n° de pièce: 2010-I

# INFORMATIONS RÉGLEMENTAIRES ET NOTES IMPORTANTES

Ce monte-escalier est destiné à être installé conformément à l'édition actuelle des documents suivants:



Intertek  
4004689



Intertek  
4004689



- ASME A18.1:2017 Norme de sécurité pour les plates-formes élévatrices et les ascenseurs - modèles avec mécanisme de protection contre la survitesse
- ASME A18.1:2014 Norme de sécurité pour les plates-formes élévatrices et les ascenseurs - modèles sans mécanisme de protection contre la survitesse
- CAN/CSA-B613-00 (R2012) - Appareils élévateurs d'habitation pour personnes handicapées
- ASME A17.5/CSA B44.1 - 2014 Appareillage électrique d'ascenseurs et d'escaliers mécaniques
- NFPA 70: Code électrique national
- CSA C22.1 Code électrique canadien

Vérifier les codes locaux applicables auprès des autorités réglementaires compétentes.

## **FICHES TECHNIQUES SANTÉ SÉCURITÉ**

Les fiches techniques de données de sécurité (FDS) des matériaux faisant partie du présent monte-escalier sont disponibles auprès du Service Technique Bruno.

## **RESPONSABILITÉS DU DISTRIBUTEUR INSTALLATEUR**

Il incombe au distributeur installateur de signaler au fabricant tout dysfonctionnement, tout événement ou toute préoccupation en matière de sécurité, et ceci en temps utile. Il appartient également au distributeur installateur d'assurer la formation approfondie de l'utilisateur quant à l'utilisation et au fonctionnement du monte-escalier.

La mise en service du monte-escalier, ainsi que l'entretien périodique de ce dernier, doivent être confiés à un distributeur autorisé Bruno conformément aux renseignements fournis dans la documentation d'installation fournie avec le monte-escalier.

## **RÈGLEMENTS DE LA FCC**

Cet équipement a été testé et déclaré conforme aux limites pour appareils numériques de classe B, conformément à la partie 15, article B, des directives FCC. Ces limites sont conçues pour fournir une protection raisonnable contre les interférences nuisibles lorsque l'équipement est mis en service dans un environnement résidentiel. Cet équipement produit, utilise et peut émettre de l'énergie radio électrique et, s'il n'est pas installé et utilisé conformément aux instructions, peut provoquer des interférences nuisibles aux communications radio. Il n'existe toutefois aucune garantie que de telles interférences ne se produiront pas dans une installation particulière. Si cet équipement provoque des interférences nuisibles à la réception des signaux de radio ou de télévision, ce qui peut être établi en mettant l'appareil sous, puis hors tension, il est recommandé à l'utilisateur d'essayer de remédier au problème en prenant l'une ou plusieurs des mesures suivantes:

- Modifier l'orientation ou l'emplacement de l'antenne réceptrice.
- Augmenter la distance entre l'équipement et le récepteur
- Prendre contact avec le distributeur.

**Ce monte-escalier est conçu *uniquement pour usage à l'intérieur* dans des sites fermés chauffés dont la température est supérieure à 2°C (35°F).**

La garantie du monte-escalier droit Elite *est rendue nulle et non avenir* s'il est installé par une personne quiconque autre qu'un installateur autorisé compétent de Bruno.

409® est une marque déposée de la Clorox Company

Fantastik® est une marque déposée de la S.C. Johnson & Son, Inc.

## Introduction

Informations réglementaires et notes importantes . . . . .	102
Table des matières . . . . .	103
Aperçu et caractéristiques techniques. . . . .	104
Outils, couple et pièces de fixation . . . . .	105

## Pré-Installation

Examiner et préparer le site . . . . .	106
Mesurer les rails . . . . .	106
Couper les rails . . . . .	107
Consignes importantes: supports de rail (pattes de fixation) . . . . .	107
Préparer le rail inférieur . . . . .	108-109
Préparer le joint . . . . .	109
Préparer le rail supérieur. . . . .	110
Fin de préparation . . . . .	111-113

## Installation

Installer le rail . . . . .	114-117
rail non repliable . . . . .	114-115
rail repliable . . . . .	116-117
Installer le chariot . . . . .	118-119
Installer le repose-pieds . . . . .	120
Terminer l'installation . . . . .	121-122
Installation de la tige de fixation . . . . .	123-124
Brancher le câblage du chargeur . . . . .	125-126
rail non repliable. . . . .	125
rail pliable . . . . .	126
Installer le siège . . . . .	127-129
Graisser la crémaillère . . . . .	129
Monter le chargeur des batteries . . . . .	130
Vérifications et réglages . . . . .	131
Formation du client . . . . .	132-133

## Composantes électriques

Programmation des télécommandes . . . . .	134-135
Mode monutilisateur vs. Mode multiutilisateurs/diagnostic . . . . .	136
DEL: chargeur des batteries . . . . .	137

## Réglages après installation

Repose-pieds . . . . .	138
Mécanisme d'entraînement . . . . .	139
Pente du chariot . . . . .	140
Point d'arrêt de pivotement du siège . . . . .	141
Chariot . . . . .	141
Extension des accoudoirs . . . . .	142

## Recherche des causes de panne

Codes de diagnostic . . . . .	143-147
Réglage du joint du rail repliable . . . . .	144-145
Mécanisme de protection pour SRE-2010C & SRE-2010OS installations . . . . .	146
	147

## Garantie limitée

	148
--	-----

## Déclaration de conformité

	149
--	-----

## Schémas de câblage

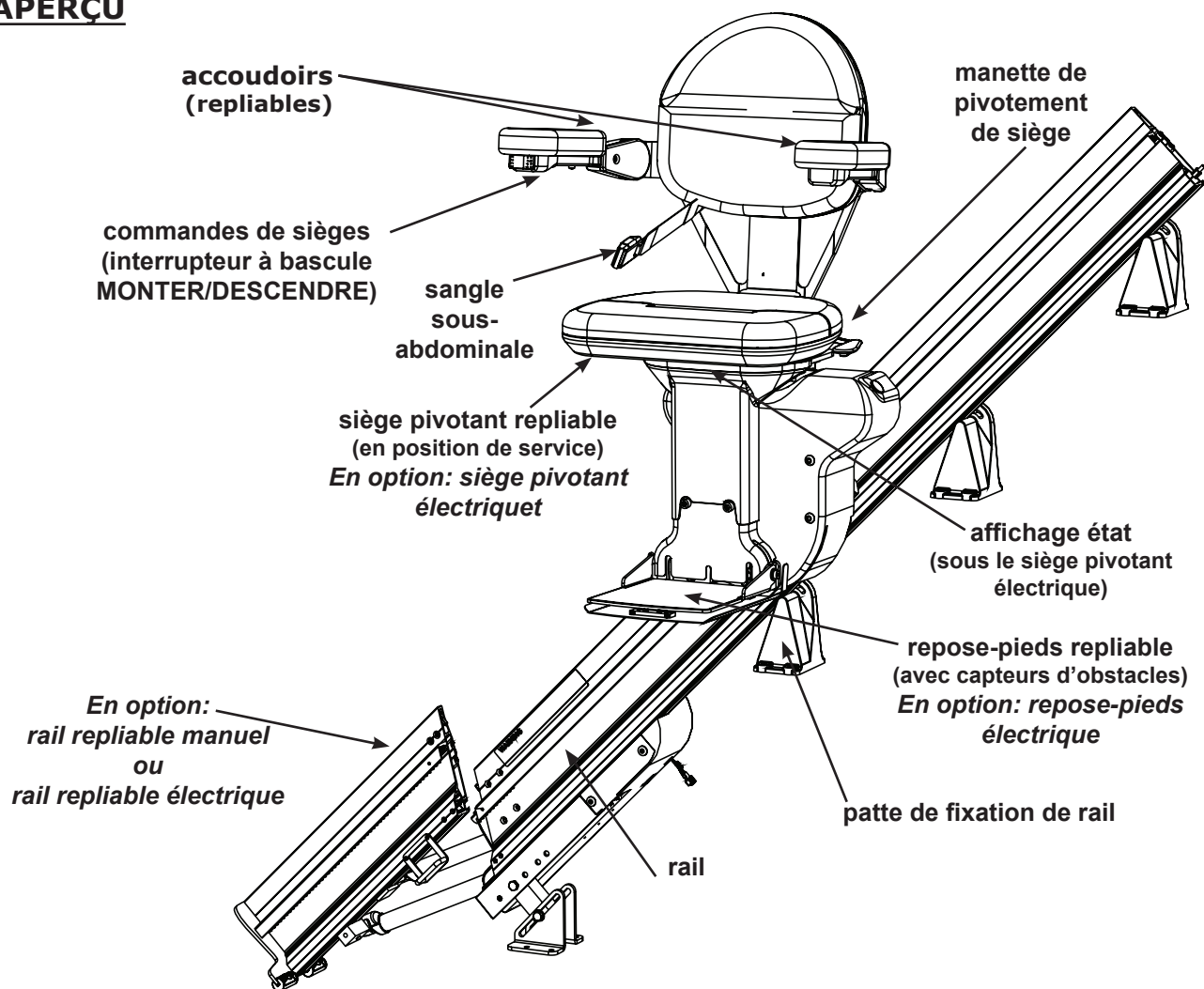
	150-151
--	---------

## Vues éclatées

	152-166
--	---------

# CARACTÉRISTIQUES TECHNIQUES

## APERÇU



## CARACTÉRISTIQUES TECHNIQUES

**Poids max. utilisateur:** . . . . 3181 kg.

**Vitesse:** . . . . . 0 to 8.5 m/min (25 ft./min.) maximum

**Source d'alimentation:** . . . . deux (2) batteries 12V, scellées, sans entretien, avec chargeur 24V, service continu

**Moteur:** . . . . . 24 VCC, bipolaire, 0,68 hp

**Entraînement:** . . . . . reducteur autobloquant, pignon-crémaillère

**Commande:** . . . . . pression constante (accoudoir et 2 télécommandes)

**Frein:** . . . . . frein électromécanique et engrenage à vis sans fin autobloquant

**Inclinaison maximale:** . . . . . 45 degrés

**Rail:** . . . . . aluminium extrudé vertical avec crémaillère incorporé

**Pivotement du siège:** . . . . . 0, 60 et 90 degrés en haut; 45 degrés en bas

**Chargeur des batteries:** . . . . chargeur de batteries 24 VCC branché sur une prise murale 120V



# OUTILS, COUPLE et PIÈCES DE FIXATION

## OUTILS

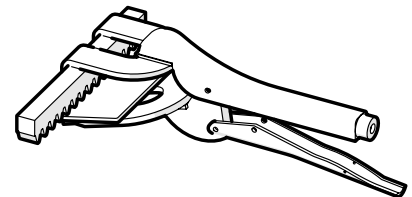
- perceuse-visseuse avec rallonge de 45 cm/18 po *MINIMUM*
- mèches de perçage: convenant au matériel du plancher (exemples: béton, bois); 3/8 po, 15 cm/6 po de long minimum
- scie à tronçonner (ou autre scie électrique dotée d'une lame à métaux destinée à couper l'aluminium et l'acier)
- clés plates polygonales, métriques
- **clé réglable avec une mâchoire de 1-1/2 po** (pour changer le côté d'installation)
- clé dynamométrique à embout ouvert (pouvant atteindre une gamme de couple de 68-108 Nm/50-80 ft-lb)
- clé à cliquet, 3/8 po avec rallonge de 15 cm (6 po)
- douille SAE d'1/2 po
- douilles métriques : 10 mm, 13 mm et 17 mm
- douille magnétique de 10 mm, prise de 3/8 po (utilisation recommandée avec une rallonge de 46 cm/18 po)
- pince-étau et pince-étau en C
- pinces à bec fin
- jeu de clés Allen métriques
- tournevis Phillips magnétiques
- marteau en nylon/à face souple, ou maillet de cuir/caoutchouc dur
- multimètre
- rallonges électriques
- trétaux
- lunettes de sécurité
- niveau torpedo
- ciseaux d'étain
- couteau utilitaire
- pince à dénuder
- pince à sertir
- lime en métal
- alène
- mètre-ruban, 6 m
- lampe de poche
- frein filet (Loctite®)

### À DÉTERMINER:

- **Est-ce que l'installation comprend un rail repliable manuel ou un rail repliable électrique?**

Utiliser le serre-joint de rail FIX-00525 (disponible chez Bruno).

OU une pince à barre/ressort plus un bout de crémaillère



## COUPLES DE SERRAGE

- Respecter les valeurs recommandées du FEO ayant trait au couple de serrage des pièces de fixation du siège. Si ces valeurs ne sont pas disponibles, consulter le tableau à droite qui indique les valeurs recommandées ISO et SAE.

Torque Specifications Classe 10.9 (métrique) (équivalente approximative de la classe américaine 8)		
M 6	..... 7 lb.-ft.....	9.49 Nm
M 8	..... 25 lb.-ft.....	33.8 Nm
M 10	..... 47 lb.-ft.....	63.7 Nm

## PIÈCES DE FIXATION

Si le remplacement d'une quelconque des pièces de fixation se révèle nécessaire, n'utiliser que des pièces de la CLASSE 10.9 métrique (en acier trempé). On identifie les boulons de la Classe 10.9 (métrique) grâce à l'indication "10.9" apparaissant sur la tête du boulon.

**Les boulons qui ne portent pas ces repères ne possèdent pas la résistance requise pour assurer la sécurité de l'installation.**



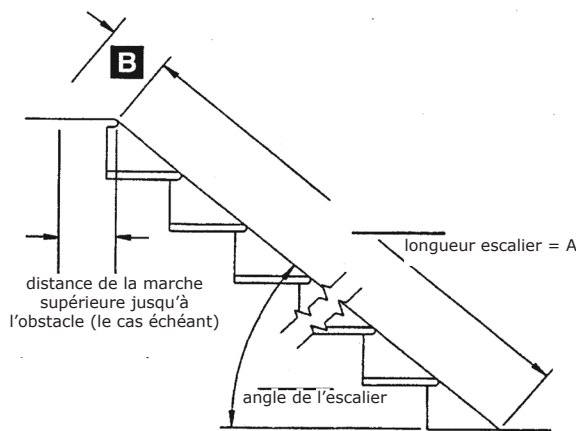
tête de boulon  
métrique 10.9

# PRÉ-INSTALLATION

## EXAMINER ET PRÉPARER LE SITE

1. Examiner visuellement le site. S'assurer d'avoir pris en considération tous les obstacles (fenêtres, tuyaux, cloisons, poteaux, etc.).
2. Si l'escalier est du style "ouvert" ou s'il n'est pas adjacent à un mur solide, on doit installer des panneaux pour interdire l'accès à l'escalier avant de procéder à l'installation du monte-escalier.
3. Déterminer le côté d'installation: le monte-escalier, sera-t-il installé sur le côté droit ou le côté gauche de l'escalier, **vue d'en bas de l'escalier**

## MESURER LES RAILS



1. Déterminer la longueur précise du rail

**À NOTER: La longueur du rail déterminera la hauteur du siège en haut de l'escalier.**

Mesurer la longueur de l'escalier à l'aide d'un mètre-ruban placé en ligne droite sur l'escalier, à partir du nez de marche en haut, jusqu'au sol.

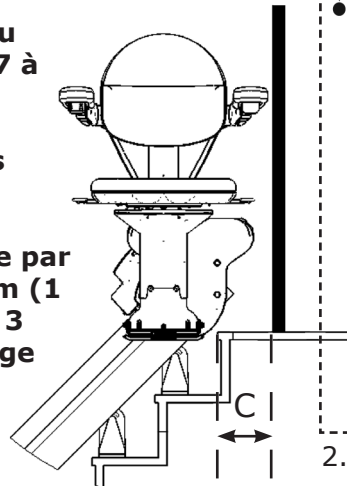
**(A)** Longueur de l'escalier: \_\_\_\_\_

**(B)** Ajouter 330 mm (13 po) pour une hauteur de siège de 508 mm (20 po) :+ \_\_\_\_\_  
[Ajouter 38 mm (1,5 po) pour chaque 25 mm (1 po) que l'on augmente la hauteur du siège.]

### NOTES:

Au palier supérieur, les accoudoirs dépassent le bout du rail d'à peu près 127 à 203 mm (5 à 8 po), selon la largeur à laquelle on règle les bras.

Le siège est réglable par intervalles de 25 mm (1 po), jusqu'à 76 mm (3 po). Consulter la page 137 pour plus de renseignements.



**! Obstacles en haut de l'escalier:**  
**Consulter la vidéo Brainshark Bruno "Ramping the Rail", et rappelez-vous:**  
**Nez-au-sol + nez à la porte + 76 mm (3 po) = Longueur totale requise du rail**  
Calculer la longueur (A) plus la valeur de (C) (ex: la porte) plus 50mm (2 po): + \_\_\_\_\_  
*longueur totale requise du rail* = \_\_\_\_\_  
**À NOTER: Pour un monte-escalier doté du frein contre la survitesse, ajouter 102 mm (4 po) à la longueur du rail.**

2. Mettre une marque sur le rail qui correspond à la *longueur totale requise du rail*. Mesurer à partir du haut de l'escalier.

## COUPER LES RAILS



### **ATTENTION**

**PORTER DES GANTS DE PROTECTION ET DES LUNETTES DE SÉCURITÉ LORS DE LA COUPE OU DE LA MANUTENTION DES BOUTS DE RAIL ET DES BANDES EN BRONZE (INSERTION DANS LE PORTE-BANDES).**

1. Ne jamais couper un rail à une longueur inférieure à 610 mm (24 po). Les rails mesurant moins de 610 mm (24 po) n'ont pas la longueur nécessaire au nombre minimum requis (2) de pattes de fixation.

**À NOTER: NE JAMAIS COUPER le rail repliable à une longueur inférieure à 1905 mm (75 po).**

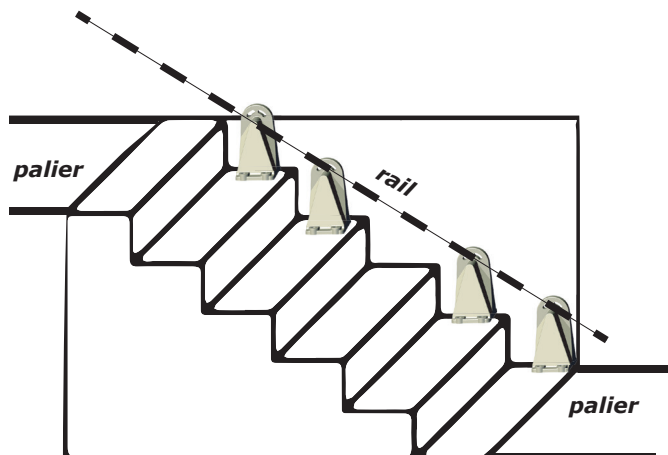
2. Installations comprenant (2) sections de rail:  
Si la coupe d'un seul rail produirait une section inférieure à 610 mm (24 po), couper DEUX rails comme suit:
  - a. D'un des rails, couper au moins 305 mm (12 po).
  - b. Ensuite, calculer la longueur de la deuxième section (**doit être supérieure à 610 mm (24 po)**):

**longueur totale requise (2 rails) – section coupée du 1<sup>er</sup> rail = longueur de coupe 2<sup>ème</sup> rail**

Ne pas couper les extrémités devant servir de joindre les deux sections afin de maintenir l'ajustage prévu en usine.

3. Pour assurer une coupe précise et efficace, Bruno recommande l'utilisation d'une scie à tronçonner\*.  
\*La scie à tronçonner (ou autre scie électrique) doit être dotée d'une lame à métaux **destinée à couper l'aluminium et l'acier.**

## CONSIGNES IMPORTANTES: SUPPORTS DE RAIL (pattes de fixation)



1. Installations à rails multiples:  
utiliser au moins deux (2) pattes par section de rail.
2. Installations uni-rail:  
utiliser au moins trois (3) pattes pour soutenir le rail. [Cette consigne s'applique normalement aux installations où la longueur du rail est de 3 m (10 pi) ou moins].
3. Installations à rail repliable:  
utiliser au moins deux (2) pattes pour soutenir chaque section de rail médiane.  
**La patte fixe (de la première marche) placée au joint d'articulation n'est pas comprise dans ce compte.**
4. Nombre maximum de marches consécutives sans patte de fixation = 3.

# PRÉ-INSTALLATION

## PRÉPARER LE RAIL INFÉRIEUR

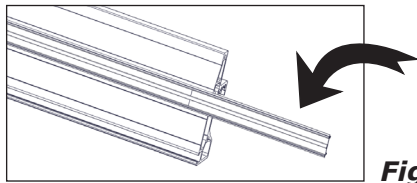


Fig. 1

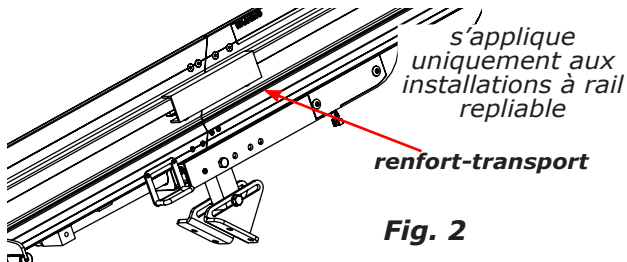


Fig. 2

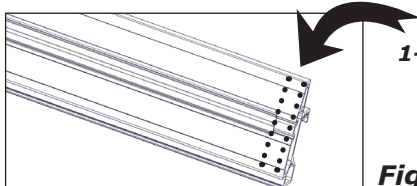


Fig. 3

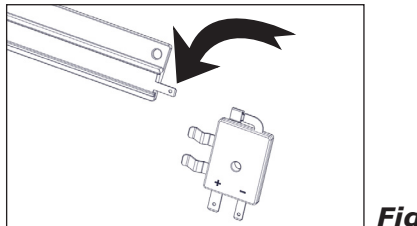


Fig. 4

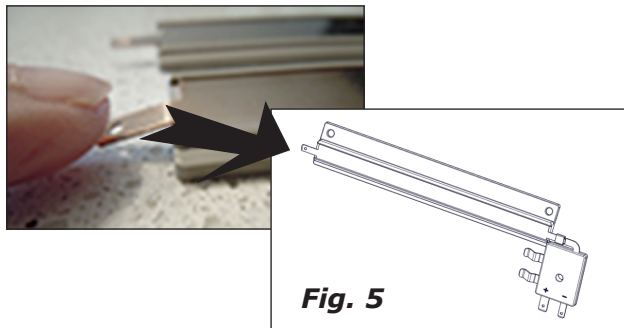


Fig. 5

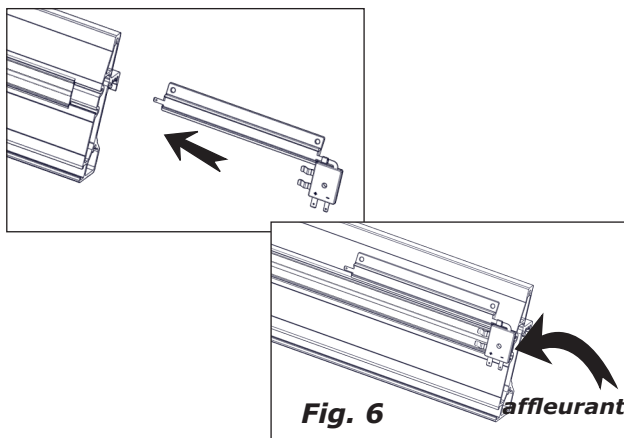


Fig. 6

1. Avant de couper le rail à la longueur nécessaire, retirer le porte-bande de charge (Fig. 1). Le mettre de côté.

Calculer le rail à la longueur nécessaire à l'installation (voir page 106).

**À NOTER: La longueur réelle d'un rail à deux pièces de 5 m (16 pi) est de 4,8 m (15 pi 9 po).**

2. Mettre le côté plat du rail sur les tréteaux. Marquer une ligne à la longueur finie désirée du rail. Aligner la scie précisément sur cette ligne.
3. Couper le rail.
4. Une fois la coupe terminée, ébavurer le bord coupé à l'aide d'une lime ou autre outil convenable.

**À NOTER: Adoucir tout bord pouvant endommager l'isolant du câblage acheminé au pare-chocs monté au bout du rail.**

### **Installations à rail repliable:**

- Maintenir le renfort-transport en place sur le rail repliable (en position dépliée) (Fig. 2).
- Insérer la bande de ralentissement dans le contact de charge. La fixer à l'aide de deux (2) vis autotaraudeuses à tête hexagonale
- Faire passer le câble d'alimentation dans trou du rail. Le faire sortir de l'extrémité coupée du rail.

Passer à la section PRÉPARATION DU JOINT.

5. Le rail devrait reposer toujours sur les tréteaux. Glisser le porte-bande de charge dans le dos du rail (Fig. 3). Faire rentrer le porte-bande selon les indications (Fig. 3).
6. Fixer le contact de charge à la bande de ralentissement (de communication) (Fig. 4).
7. À l'extrémité opposée du contact de charge, plier légèrement la bande de ralentissement en direction du rail, **sans permettre à la languette d'entrer en contact avec le rail.**

8. À l'extrémité inférieure du rail, glisser le bloc contact de charge (Fig. 4) dans le dos du rail (Fig. 6). Le bloc s'ajustera bien au porte-bande de charge.

**À NOTER: À ce point, il est possible que le porte-bande soit plus long que le rail.**

## PRÉPARER LE RAIL INFÉRIEUR (suite)

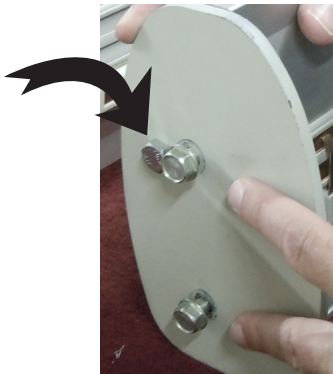


Fig. 6

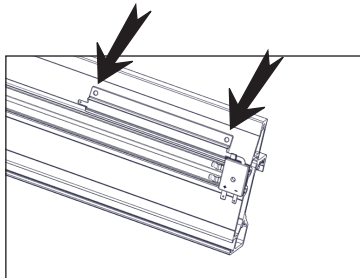


Fig. 7



- À l'aide d'une douille de 1/2 po et de deux (2) vis autotaraudeuses de 5/16 po x 18, monter l'embout inférieur (Fig. 6). L'application d'un peu de graisse facilitera l'installation.

**À NOTER: Le trou fileté s'oriente vers la face avant du rail.**

**À NOTER: NE PAS se servir d'une perceuse à percussion pour installer ces vis.**

- Insérer la bande de ralentissement dans le contact de charge inférieur.

**S'assurer que la bande demeure parallèle au bord supérieur du porte-bande de charge, tout en restant en contact avec ce bord.**



- À l'aide de deux (2) vis autotaraudeuses à tête hexagonale, fixer la bande de ralentissement au rail (Fig. 7).

**INSTALLATIONS UNI-RAIL:  
PASSER À LA SECTION PRÉPARATION DU RAIL SUPÉRIEUR.**

## PRÉPARER LE JOINT

**À NOTER:**

**RAILS REPLIABLES: Le contact de charge inférieur est monté en usine.**

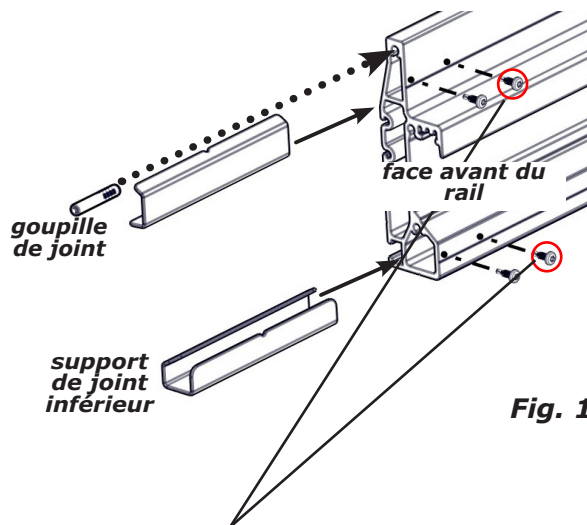


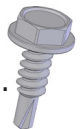
Fig. 1

**N'insérer la deuxième vis qu'après avoir installé le rail supérieur.**

- Taper sur l'extrémité cannelée de la goupille du joint du rail pour introduire la goupille **à son point médian** dans la section inférieure du rail (Fig.1).

- Dans la partie supérieure du rail inférieur, insérer un support de joint supérieur, jusqu'à son point médian.\*

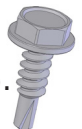
Fixer une (1) des deux (2) vis autotaraudeuses à tête hexagonale (Fig. 1).



**\*Les supports supérieur et inférieur du joint sont tous les deux dotés de crans qui indiquent le point médian.**

- Dans la partie inférieure du rail inférieur, insérer un support de joint supérieur, jusqu'à son point médian.\*

Fixer une (1) des deux (2) vis autotaraudeuses à tête hexagonale (Fig. 1).



# PRÉ-INSTALLATION

## PRÉPARER LE RAIL SUPÉRIEUR

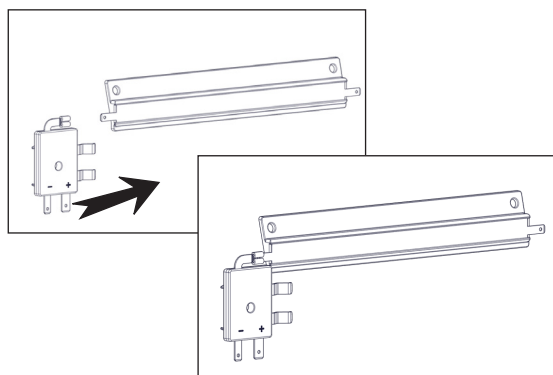


Fig. 1

1. Mettre le rail supérieur sur les tréteaux.
2. Fixer le contact de charge à la bande de ralentissement (Fig. 1).
3. Glisser le porte-bande de charge dans le dos du rail (si on l'avait démonté préalablement).
4. Glisser le bloc contact de charge (Fig. 1) dans le dos du rail. Le bloc s'ajustera bien au porte-bande de charge.

**À NOTER: À ce point, il est possible que le porte-bande soit plus long que le rail.**



**modèles standard :  
passer à l'étape 8**

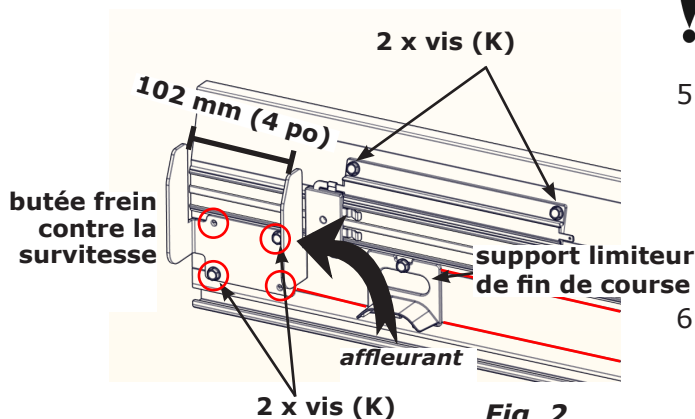


Fig. 2  
modèle  
SRE-2010C/OS

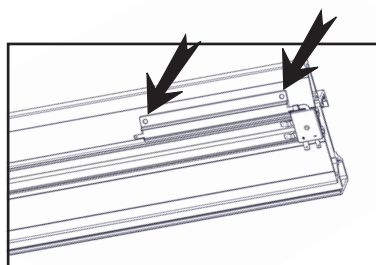


Fig. 3  
modèle  
standard

5. (SRE-2010C/OS) Placer la butée du frein contre la survitesse (support en U) de manière à ce que les quatre (4) trous encerclés en rouge soient alignés avec les rainures gravées dans le dos du rail (voir lignes rouges (Fig. 2).
6. (SRE-2010C/OS) Monter la patte supérieur du support en U de manière à être au ras de l'extrémité du rail (Fig. 2).
7. (SRE-2010C/OS) À l'aide de deux (2) vis autotaraudeuses, monter le support en U au rail: insérer une vis dans un trou en haut, et une vis dans un trou en bas (Fig. 2).
8. À l'aide de deux (2) vis autotaraudeuses à tête hexagonale, fixer la bande de ralentissement au rail (Fig. 3 modèles standard, Fig. 2 modèles SRE-2010C/OS).



**S'assurer que la bande demeure parallèle au bord supérieur du porte-bande de charge, tout en restant en contact avec ce bord.**

9. Démontez le contact de charge du rail. Le garder pour utilisation ultérieure.

Démontez aussi la butée du frein contre la survitesse (support en U) s'il s'agit d'une installation SRE-2010C/OS.

10. Monter le limiteur de fin de course. Son bord supérieur doit être au ras du bord inférieur du contact de charge. Insérer une vis autotaraudeuse à tête hexagonale dans les quatre (4) trous encerclés en rouge (Fig. 4) du limiteur de fin de course et les rainures gravées dans le dos du rail.

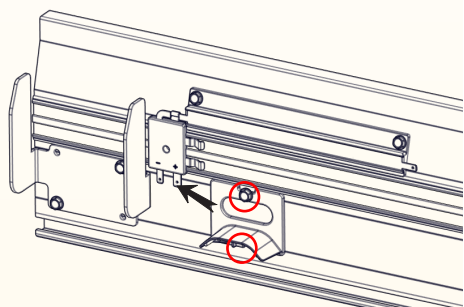
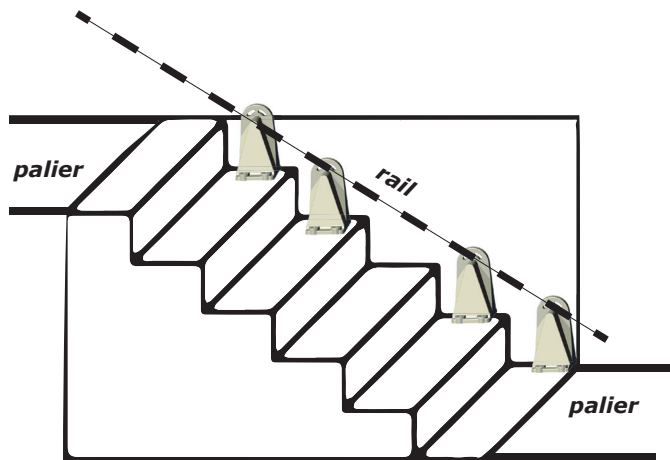
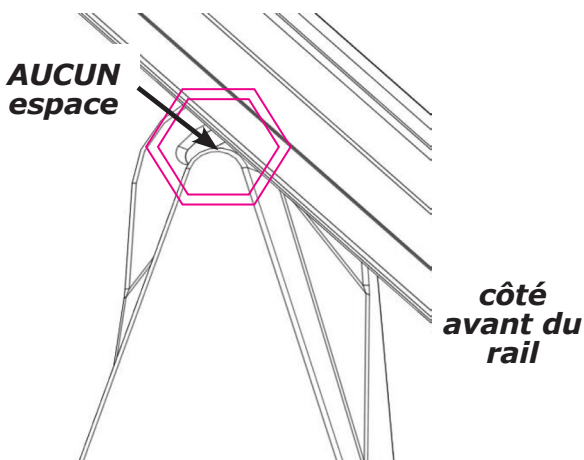
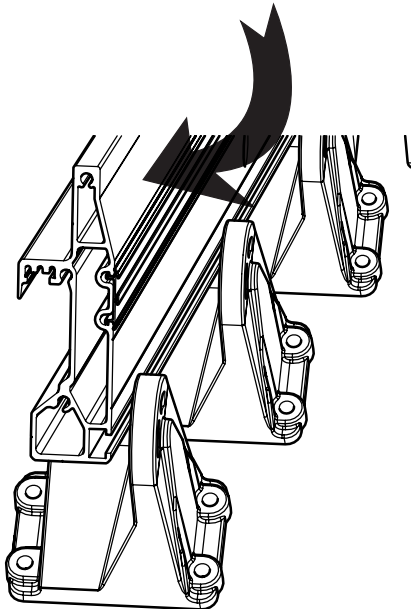


Fig. 4

## FIN DE PRÉPARATION



**dos du rail**



1. **Déterminer la position des pattes de fixation.**

Consulter les consignes présentées à la page 107.

Dans certains cas, une installation plus longue peut nécessiter des pattes de fixation supplémentaires. À commander chez Bruno.

2. Localiser et ouvrir le sac en plastique portant l'indication "Stand feet hardware" (pièces de fixation de pattes). Ces pièces servent à la fixation des pattes au rail.
3. Préparer les pièces de fixation en insérant les boulons d'abord dans les rondelles plates, puis dans les rondelles de sécurité.
4. Déterminer l'orientation de la patte par rapport au rail. Cette orientation doit OBLIGATOIREMENT correspondre à celles indiquées à gauche.



**Toujours installer les pattes de manière à ce que le nez long de la patte s'oriente vers le centre de l'escalier.**

**À NOTER:**

**L'inobservation de cette consigne risque de causer de graves blessures corporelles et/ou d'endommager le matériel.**

**INSTALLATIONS UNI-RAIL:  
PASSER À L'ÉTAPE 10, PAGE SUIVANTE**

# PRÉ-INSTALLATION

## FIN DE PRÉPARATION (suite)



Fig. 1

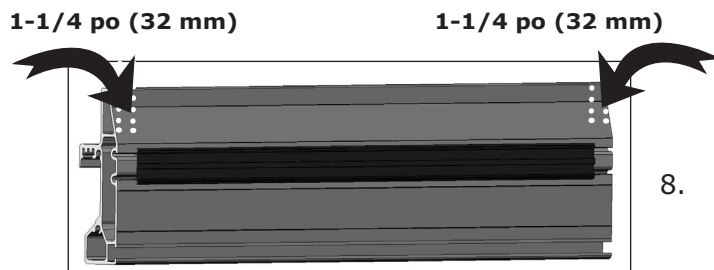


Fig. 2

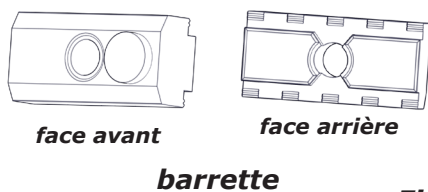


Fig. 3

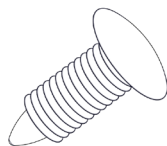


Fig. 4

5. **Joindre les rails, le cas échéant.**  
Positionner le rail supérieur sur le rail inférieur.  
S'assurer de l'alignement convenable des deux sections de rail en **remuant légèrement la section supérieure** (Fig. 1).

**Installations à rail repliable:**  
**acheminer le câble de charge dans la section supérieure du rail avant de joindre les rails.**

6. Les sections supérieure et inférieure du rail devraient s'ajuster bien.
7. Fixer les **supports** du joint au rail supérieur à l'aide de deux (2) vis autotaraudeuses à tête hexagonale (rainures gravées, Fig. 1).



**À NOTER: La distance entre les vis et le joint devrait être de 70 mm (2-3/4 po) MAXIMUM si l'on a convenablement installé les supports de joint.**

8. Consulter l'étape 2, page 66. Installer les vis restantes dans les supports supérieur et inférieur du joint.
9. **Insérer les barrettes (Fig. 3).**

Mettre le rail sur une surface plate. Glisser une (1) barrette par support de rail dans le fente inférieure au dos du rail.

En cas de rails joints, ajouter une (1) barrette de plus.

**À NOTER:**  
**Nombre de barrettes: (1) par support de rail + une (1) barrette située directement au-dessus du joint du rail.**

10. **Couper le porte-bande de charge**  
afin d'être plus court de 63.5 mm (2-1/2 po) que la longueur totale du rail.

[**SRE-2010C/OS: 159 mm (6-1/2 po)**]

**Installations à rail repliable, insérer une attache-ailettes (Fig. 4) dans le porte-bande de charge du rail médian, au niveau du joint. Couper le porte-bande afin d'être plus court de 38 mm (1-1/2 po) que la longueur totale du rail.**

**À NOTER: SRE-2010C/OS**

Couper une "pièce de replissage" de 102 mm (4 po) à partir d'un bout de porte-bande restant. On insérera cette pièce plus tard.)



## **FIN DE PRÉPARATION (suite)**

11. Glisser le porte-bande de charge dans le dos du rail (voir Fig. 2).

12. **Installer les tronçons de crémaillère.**

La manoeuvre suivante est à faire **avec beaucoup de soin.**\*\*

Le rail toujours placé sur une surface plate, glisser les tronçons de crémaillère dans la section de rail supérieure jusqu'à ce que:

(a) soit le dernier tronçon dépasse le bout du rail

(b) soit le dernier tronçon se situe à une distance maximale de 13 mm (1/2 po) du bout du rail

**\*\*Permettre une descente en chute libre des tronçons de crémaillère et l'arrivée brutale de ces derniers en conséquence nuira au réglage du joint.**

• **La distance maximale entre la dernière dent du tronçon le plus haut et le bout du rail est de 32 mm (1-1/4 po).**

• Si le dernier tronçon dépasse le bout du rail, il faut couper ce tronçon à la longueur requise. Sur le tronçon, marquer le point qui correspond au bout du rail. Retirer le tronçon. Soustraire 13 mm (1/2 po) et couper le tronçon.

**À NOTER: Retirer le dernier tronçon, ou les deux derniers tronçons, inséré(s) au préalable afin de faciliter l'installation du chariot!**

**À NOTER: Installations à rails multiples:  
Il s'avérera peut-être nécessaire de séparer les sections du rail à l'atelier, puis de les rejoindre une fois placées sur l'escalier.**

**POUR INSTALLATIONS À RAIL REPLIABLE,  
PASSER À LA PAGE 116.**

# INSTALLATION

## INSTALLER LE RAIL (NON REPLIABLE)

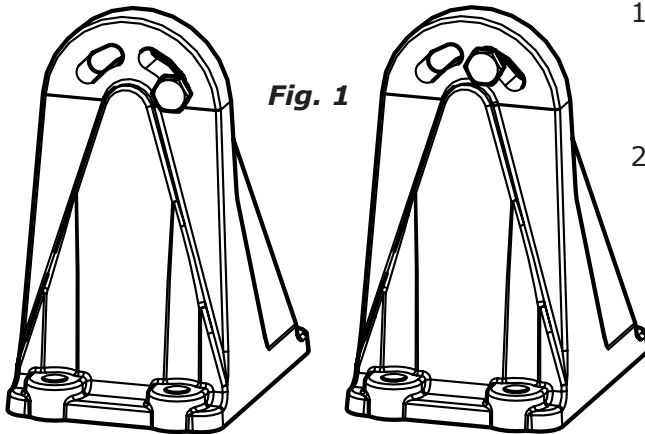


Fig. 1

tête de boulon dans la bonne position

tête de boulon dans la mauvaise position



Fig. 2



Fig. 3

1. Installations à rails multiples:

Rejoindre les sections du rail sur l'escalier (le cas échéant).

2. Mettre le rail sur les nez de marche.

**À NOTER:** Mettre une boîte à outils lourde en bas de l'escalier pour empêcher le glissement du rail.

**À NOTER:** Le bout inférieur du rail devrait reposer à une distance du sol de 3 mm (1/8 po).

3. Monter toutes les pattes de fixation au rail.
  - Taper le boulon de manière à ce qu'il vient reposer en bas de la fente avant de serrer le boulon (Fig. 1).

- Serrer les pièces de fixation du rail et ses pattes à un couple de 34 Nm (25 pieds-livres).

4. Glisser le rail horizontalement jusqu'à ce que la distance entre la partie inférieure du rail et le nez de marche soit de:

51 mm (2 po) *minimum* (sans tapis);

64 mm (2-1/2 po) *minimum* (avec tapis)

**Mesurer chaque marche** (Fig. 2).

5. Mesurer à partir de la surface postérieure (côté mur) de la partie supérieure du rail jusqu'à l'obstacle le plus proche (par exemple, un mur, une main-courante, etc.):

108 mm (4-1.4 po) (Fig. 3.)

**Mesurer en haut, au milieu et en bas de chaque section de rail, sur toute sa longueur.**

6. Fixer les pattes de fixation, commençant par la patte en haut de l'escalier. N'utiliser que de deux (2) vis à tôle, dont une (1) du côté mur, puis une (1) du côté escalier.

**À NOTER:**

**Ne fixer les pattes restantes qu'après avoir vérifié le jeu de fonctionnement.**

**Si la distance entre le bout du rail en bas de l'escalier et le nez de marche est inférieure à 51 mm (2 po), retirer les vis, glisser le rail horizontalement et refixer la patte.**

## INSTALLER LE RAIL (NON REPLIABLE) (suite)



7. **Insérer les bandes de charge dans le rail.**

Localiser les deux (2) bobines de bande de charge. Saisir fermement une des bobines de manière à empêcher son déroulement pendant que l'on enlève le ruban adhésif.

8. À l'aide de ciseaux d'étain, tailler l'extrémité de la bande en biseau de 45° (voir à gauche).

**À NOTER: Le glissement de la bande dans le porte-bande sera BEAUCOUP plus facile après avoir taillé l'extrémité en biseau.**

9. Glisser l'extrémité en biseau de la bande de contact de charge dans le porte-bande jusqu'à ce qu'elle repose sous le contact de charge inférieur.

10. Couper l'excès de bande à ras du porte-bande.

11. Répéter les étapes 7 à 10 avec la deuxième bobine de bande de charge.

**PASSER À L'INSTALLATION DU CHARIOT  
À LA PAGE 118.**

# INSTALLATION

## INSTALLATION DU RAIL REPLIABLE

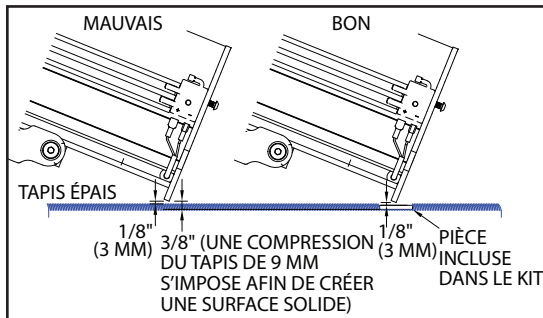


Fig. 1



bloc réglable



Fig. 3

1. Rejoindre les sections du rail sur l'escalier (le cas échéant).

2. Mettre le rail sur les nez de marche.

**À NOTER:** Mettre une boîte à outils lourde en bas de l'escalier pour empêcher le glissement du rail.

**Le bout inférieur du rail devrait reposer à une distance du sol de 3 mm (1/8 po).**

**En cas de tapis épais qui empêche le rail de reposer tel qu'indiqué (Fig. 1), demander un kit SRV-3000-038 auprès de Bruno.**

3. Monter la patte de fixation supérieure au rail. S'assurer de maintenir l'extrémité supérieure du rail à une distance de 51 mm (2 po) du nez de marche. L'extrémité inférieure devrait reposer solidement sur le nez de marche.
4. Monter les pattes de fixation restantes, y compris la patte spéciale pour rail repliable (Fig. 2).
5. Glisser le rail horizontalement jusqu'à ce que la distance entre la partie inférieure du rail et le nez de marche soit de:

64 mm (2-1/2 po) *minimum*

**Vérifier l'espace entre la plaque terminale inférieure et le sol [3 mm 1/8 po].**

**En cas d'un espace inférieur à 3 mm (1/8 po), le rail ne pourra pas se fermer comme il faut.**

**Remède:**

**Desserrer les boulons de toutes les pattes de fixation. Repositionner le rail légèrement vers le haut. Resserrer les boulons.**

6. Mesurer à partir de la surface postérieur (côté mur) de la partie supérieure du rail jusqu'à l'obstacle le plus proche (par exemple, un mur, une main-courante, etc.):

108 mm (4-1/4 po)

**Mesurer en haut, au milieu et en bas de chaque section de rail, sur toute sa longueur.**

7. Fixer la patte spéciale pour rail repliable à la marche (côté ESCALIER) à l'aide de deux (2) vis à tête.



8. Retirer le boulon M10 (encerclé en rouge)(Fig. 3). Mettre le rail de côté.

9. Abaisser le bloc réglable de la patte spéciale (Fig. 2) afin de régler l'espace entre les pieds avant et derrière de la patte.

Fixer la patte spéciale (côté MUR) à l'aide de deux (2) vis à tête.



## **INSTALLATION DU RAIL REPLIABLE (suite)**

10. Remettre le rail en place. Il devrait s'ajuster bien à la patte de fixation spéciale.
11. Réinsérer le boulon M10 bolt et fixer la patte au rail. Serrer le boulon manuellement, plus un quart de tour.
12. Fixer les pattes restantes. Fixer d'abord la patte en haut de l'escalier. N'utiliser que de two (2) vis à tôle: une (1) du côté MUR, puis une (1) du côté ESCALIER du rail.

### **À NOTER:**

**Ne fixer les pattes restante qu'après avoir vérifié le jeu de fonctionnement.**

**Si la distance entre le bout du rail en bas de l'escalier et le nez de marche est inférieure à 51 mm (2 po), retirer les vis, glisser le rail horizontalement et refixer la patte.**

13. ***Insérer les bandes de charge dans le rail.***

Localiser les deux (2) bobines de bande de charge. Saisir fermement une des bobines de manière à empêcher son déroulement pendant que l'on enlève le ruban adhésif.

### **\* kits d'installation de rail:**

- SRE-K-2161 rails non repliables de 4,8 m (16 pi)
- SRE-K-2162 rails non repliables de 6 m (20 pi)
- SRE-K-2163 for rails repliables de 4,8/5.5 m (16/18 pi)

14. À l'aide de ciseaux d'étain, tailler l'extrémité de la bande en biseau de 45° (voir à gauche).

**À NOTER: Le glissement de la bande dans le porte-bande sera BEAUCOUP plus facile après avoir taillé l'extrémité en biseau.**

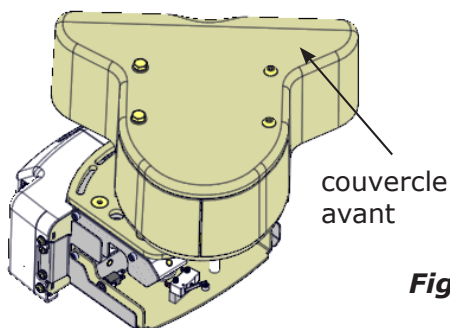
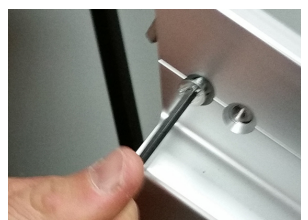
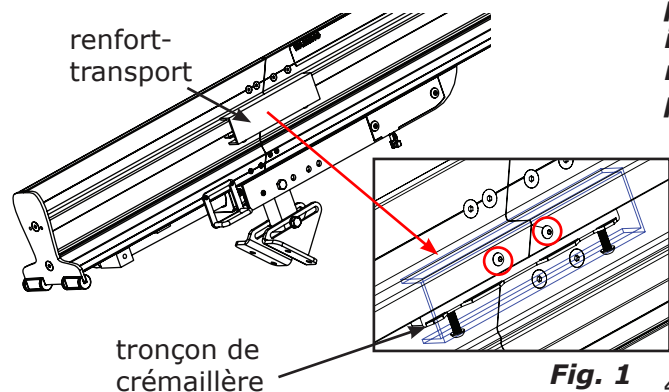
15. Glisser l'extrémité en biseau de la bande de contact de charge dans le porte-bande jusqu'à ce qu'elle repose sous le contact de charge inférieur.
16. Couper l'excès de bande à ras du porte-bande.
17. Répéter les étapes 13 à 17 avec la deuxième bobine de bande de charge.



**PASSER À L'INSTALLATION DU CHARIOT  
À LA PAGE 118.**

# INSTALLATION

## INSTALLER LE CHARIOT



**À NOTER:** Avant d'installer le chariot, vérifier la pente de l'escalier. Si elle est inférieure à 25°, il sera plus facile de régler le chariot lorsqu'il n'est pas sur le rail. Consulter le tableau à la page 141.

### Préparation du rail

1. Mettre le disjoncteur sur OFF (arrêt) (Fig. 9).
  2. Démontez le contact de charge supérieur du rail.
  3. Retirer les (2) tronçons de crémaillère en haut du rail afin de faciliter le glissement du chariot sur le rail.
  4. Avant d'installer le chariot, se servir d'une clé Allen de 4 mm afin de retirer les deux (2) vis à tête ronde qui fixent le renfort-transport et le tronçon de crémaillère (Fig. 1).
  5. S'assurer que la distance entre le rail repliable et le sol NE DÉPASSE PAS 3 mm (1/8 po). Plus le rail est proche du sol, meilleure est l'installation (Fig. 2)!
  6. Soulever le rail court afin de donner accès au lieu de montage du loquet (Fig. 3).
  7. Insérer le loquet. Aligner les trous (Fig. 4).
- À NOTER: Une fois installée, la plaque entretoise devrait entrer en contact avec l'extrusion du rail.**
8. Tout en maintenant le loquet en position, insérer les vis (Fig. 5).
- À NOTER: Si l'on ne tient pas bien le loquet, il tombera au bout du rail court. Dans ce cas, il faudra démonter la plaque inférieure du rail court afin d'extraire le loquet.**
9. À l'aide d'une clé Allen de 4 mm, serrer les deux vis (Fig. 6).
- À NOTER: S'assurer du serrage des vis, et que les vis s'ajustent bien aux trous!**
10. Abaisser le rail court au sol (Fig. 7).
  11. **Installer le chariot sur le rail.**

**Astuce: Démontez le couvercle avant (Fig. 8) afin de faciliter la manutention du chariot, OU...soulever et porter le chariot selon la Fig. 9. NE JAMAIS soulever le chariot par son housse d'interrupteur!**

- a. Glisser le chariot sur le rail jusqu'à ce qu'il entre en contact avec la crémaillère.
- b. Couper l'attache en nylon qui fixe la feuille d'autocollants et la clé au disjoncteur.
- c. Séparer l'autocollant du numéro de série de son protecteur adhésif. Le mettre sur le siège selon les indications imprimées sur la feuille d'autocollants.

## INSTALLER LE CHARIOT (suite)

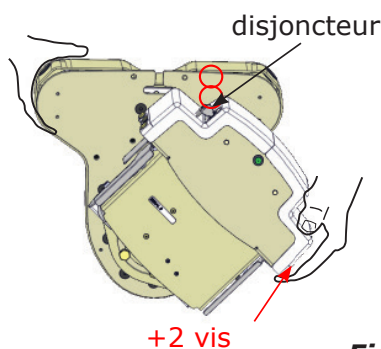


Fig. 9

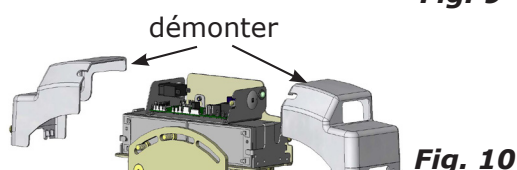


Fig. 10

## INSTALLER LE REPOSE-PIEDS

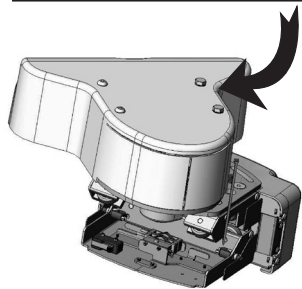


Fig. 1



Fig. 2



Fig. 3



Fig. 4



Fig. 5

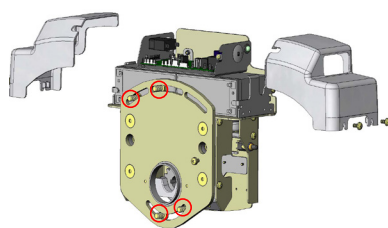


Fig. 6

À titre illustratif, certains éléments constitutifs du chariot ont été cachés.

- d. Retirer les quatre (4) vis Phillips (encerclées en rouge, Fig. 3). Ensuite, démonter les deux (2) moitiés du couvercle du chariot (Fig. 4).
- e. Mettre le disjoncteur sur ON (MARCHE), puis tourner la clé du **chariot** sur ON (MARCHE).
- f. (**installation côté gauche**): brancher les cavaliers à 3 et à 6 broches.  
(**installation côté droit**): brancher les cavaliers à 3, à 6 et à 12 broches.
- g. À l'aide de la télécommande, monter le chariot sur l'engrenage sur une distance approximative de 15 cm (6 po).

**Si on dépasse la distance recommandée de 15 cm (6 po), on ne pourra pas accéder facilement les pièces de fixation au dos du chariot (réglage d'angle).**

1. **Monter le repose-pieds sur le chariot.**
  - a. Retirer les (2) boulons hexagonaux de la face avant du chariot (Figs. 1 et 2).
  - b. Fixer le repose-pieds au chariot à l'aide des (2) boulons hexagonaux. **Serrer au couple de 68 Nm (50 pieds-livres).**
  - c. Insérer la goupille dans le ressort à gaz (Fig. 3).
  - d. Replier le repose-pieds à un angle approximatif de 45°.
  - e. Tout en pivotant l'outil vers le bas, pousser doucement sur la goupille afin de l'introduire dans les encoches du support du piston à gaz (Fig. 4 et 5).
  - f. Retirer l'outil d'insertion de goupille et le mettre de côté.
2. **Vérifier que le repose-pieds est à niveau .**
  - a. S'assurer que le chariot se trouve en haut de l'escalier.
  - b. Déplier le repose-pieds.
  - c. Mettre un niveau sur le bac du repose-pieds.
3. **Régler l'angle du chariot.**
  - a. Desserrer (**sans retirer**)\* les (4) boulons encerclée en rouge (Fig. 6).
4. Remonter les couvercles du chariot (couvercles démontés dans l'étape 1) **avant** de monter le siège.

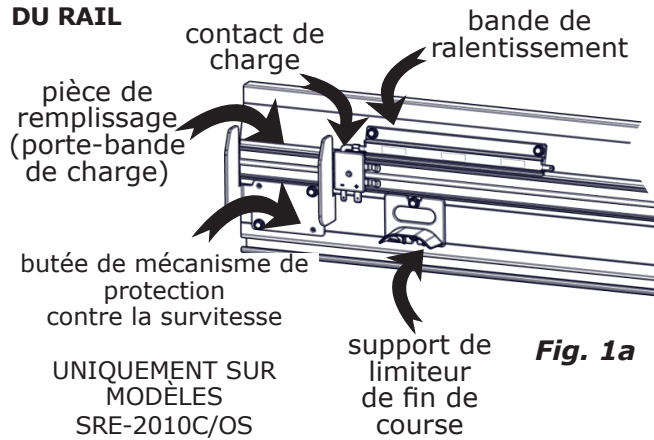
**À NOTER: \*Certaines installations NÉCESSITERONT le démontage (et le remontage) des deux boulons supérieurs. Consulter la section Réglages du chariot.**

# INSTALLATION

## TERMINER L'INSTALLATION DU RAIL

### *installation côté gauche*

#### EXTRÉMITÉ SUPÉRIEURE DU RAIL



1. Insérer les tronçons de crémaillère restants. Les tailler si nécessaire.
2. Monter le contact de charge.
  - a. Glisser le contact de charge sur le rail et le raccorder à la bande de ralentissement (Figs. 1a and 1b).

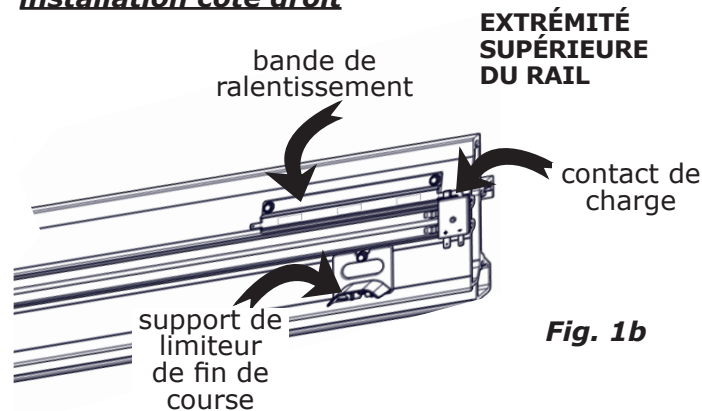
#### MODÈLES SRE-2010C/OS:

Monter la butée du mécanisme de protection contre la survitesse et la pièce de remplissage du porte-bande de charge. On a déjà coupé cette pièce à une longueur de 102 mm (4 po).

**AUCUN RAIL REPLIABLE?**

**PASSER À LA PAGE 122.**

### *installation côté droit*





## TERMINER L'INSTALLATION DU RAIL (suite)



Fig. 3

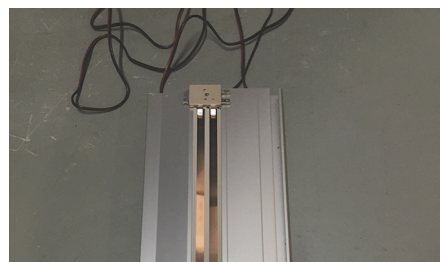


Fig. 4



Fig. 5



Fig. 6



Fig. 7



Fig. 8

3. Insérer le dernier tronçon de crémaillère dans la section supérieure du rail.

### ***installations avec rail repliable:***

Acheminer le câblage de charge noir dans la section supérieure du rail (Figs. 3 et 4).

Le câblage s'insérera entre la plaque d'espacement et l'extrémité du rail.

Brancher le câblage de charge sur le contact de charge, ainsi que le chargeur (Fig.5).

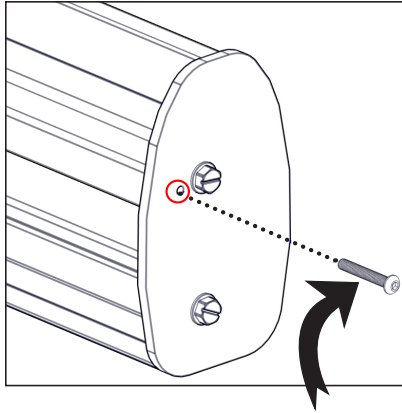
Insérer l'excès de câblage dans l'extrémité du rail (Fig. 6).

Monter la plaque d'espacement fournie (kit SRE-K-3050) entre la plaque terminale et l'extrémité du rail afin d'éviter d'endommager les éléments du monte-escalier (Fig. 7).

La Figure 8 démontre une plaque terminale correctement installée.

# INSTALLATION

## TERMINER L'INSTALLATION DU RAIL (suite)



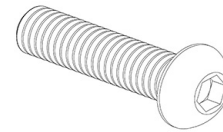
vérin à vis

### 4. **Monter la plaque terminale supérieure.**

À l'aide de deux (2) vis autotaraudeuses à tête hexagonale (5-16 po - 18x1 po), et d'une douille/clé à cliquet de 1/2 po, monter la plaque terminale supérieure.

### 5. **Insert jack screw.**

Deux boulons à tête cylindrique M6 (vérins à vis) sont fournis pour permettre la charge sous pression de la crémaillère, dont une de 25 mm de long et une de 40 mm de long.



Le tableau suivant sert de guide pour déterminer le boulon à utiliser.

<b>Distance entre le dernier tronçon de crémaillère et le bout du rail</b>	<b>boulon M6 x 25 mm de long</b>	<b>boulon M6 x 40mm de long</b>
12mm (1/2") ou moins	X	
12mm (1/2") à 32mm (1 1/4")		X

Il est possible d'insérer le vérin à vis soit dans la plaque terminale inférieure, soit dans la plaque terminale supérieure.

### NOTES:

#### ● **NE PAS trop serrer le boulon!**

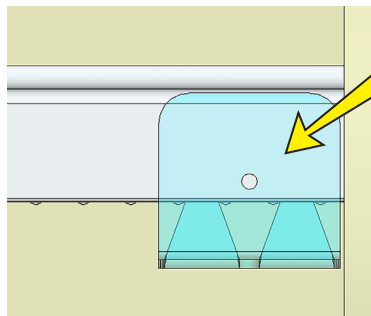
**Le serrer manuellement jusqu'à ce que le boulon entre en contact avec la crémaillère.**

**Terminer le serrage à l'aide d'une clé hexagonale. Veiller à ne pas tourner plus d'un tour complet.**

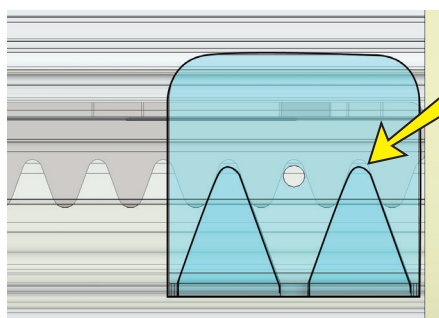
#### ● **Le boulon (vérin à vis) NE SERA PAS à ras de la plaque terminale.**

6. Brancher le chargeur sur une prise 120VCA sous tension et convenablement mise à la terre.
7. Mettre le disjoncteur sur ON (MARCHE).

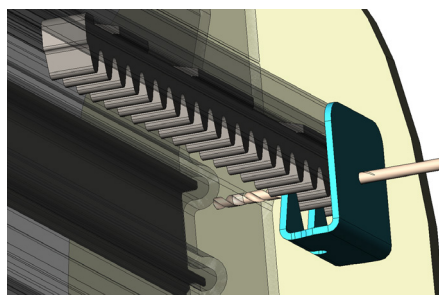
## INSTALLATION DE LA TIGE DE FIXATION



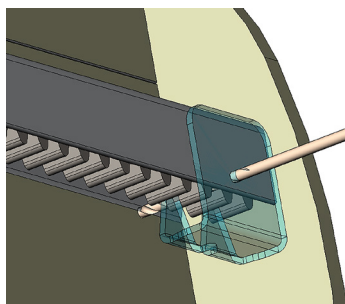
**Fig. 1**



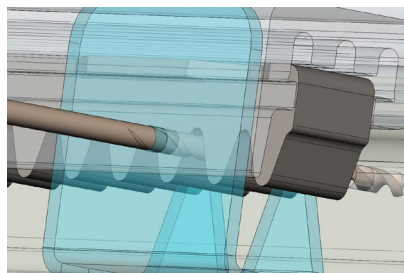
**Fig. 2**



**Fig. 3**



**Fig. 4**



**Fig. 5**

**À NOTER: N'insérer la tige dans le trou transversal du rail qu'après avoir bien serré le boulon à tête cylindrique (vérin à vis).**

1. Mettre le guide de forage en position (partie inférieure du rail, en bas de l'escalier) derrière la première dent du premier tronçon de crémaillère. Le trou du guide devrait entrer en contact avec la partie de l'extrusion qui couvre la crémaillère (Fig. 1). Les dents du guide devraient bien s'ajuster aux vallées de la crémaillère (Fig. 2).

2. À l'aide d'une mèche de 3,2 mm (1/8 po)\*, percer un trou dans 2 parois de l'extrusion (Figs. 3 et 4). Ne pas percer complètement l'extrusion.

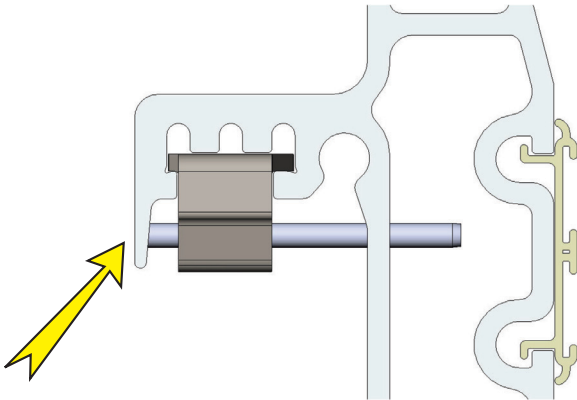
**À NOTER: La mèche n'entrera pas en contact avec la crémaillère (Fig. 5).**

\*(N° de pièce Bruno: DRB-13001, fournie dans le kit SRV-3000-023)

# INSTALLATION

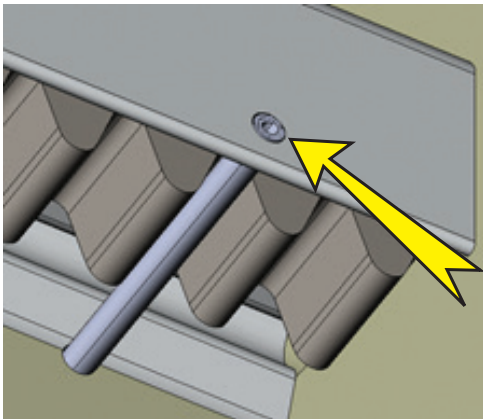
---

## INSTALLATION DE LA TIGE DE FIXATION (suite)



**Fig. 6**

3. Une fois le trou percé, insérer la tige dans l'extrusion du rail (Fig. 6). Veiller à ce que la tige se trouve à ras de la paroi extérieure de l'extrusion (Fig. 7).

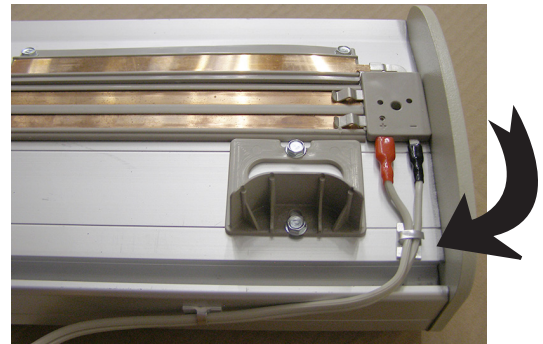
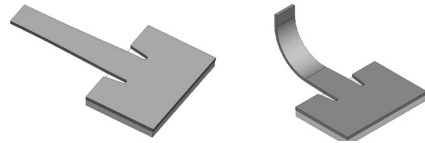
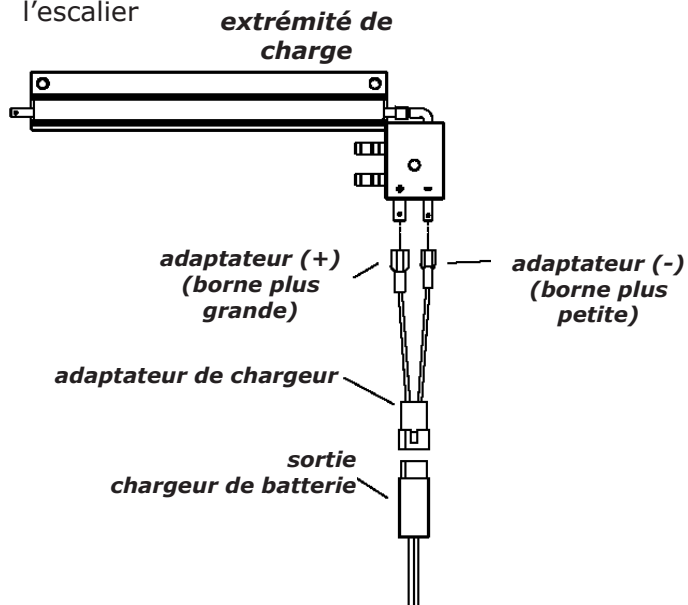


**Fig. 7**

## **BRANCHER LE CÂBLAGE DU CHARGEUR - RAIL NON REPLIABLE**

1. Brancher le câblage du chargeur sur le contact de charge (voir à gauche).
2. Monter l'attache adhésive sur le rail, et plier la patte sur le câblage selon l'illustration ci-dessous.

- configuration illustrée:
- 1) installation côté gauche, chargeur en bas de l'escalier
  - 2) installation côté droit, chargeur en haut de l'escalier

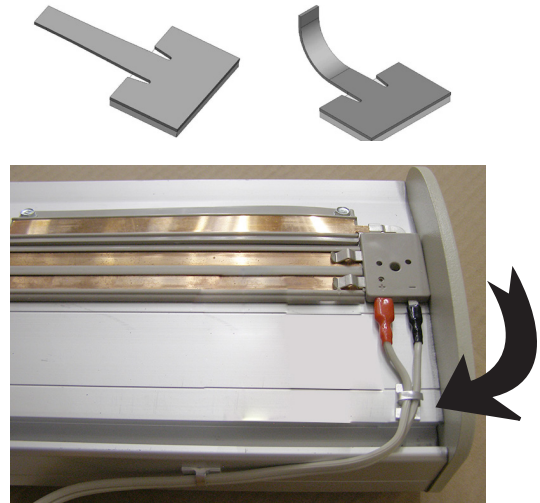
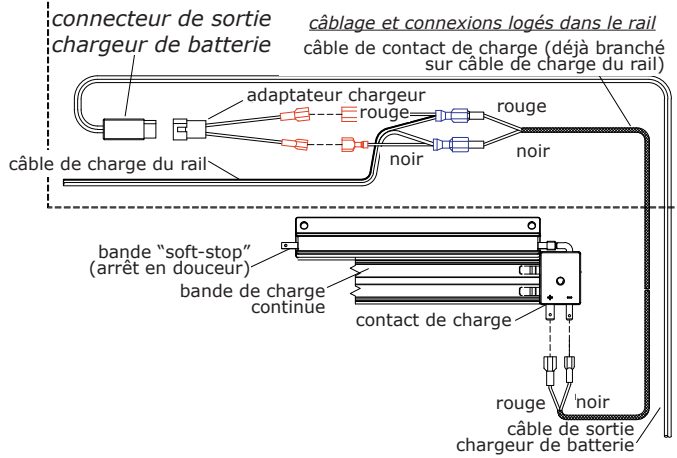


# INSTALLATION

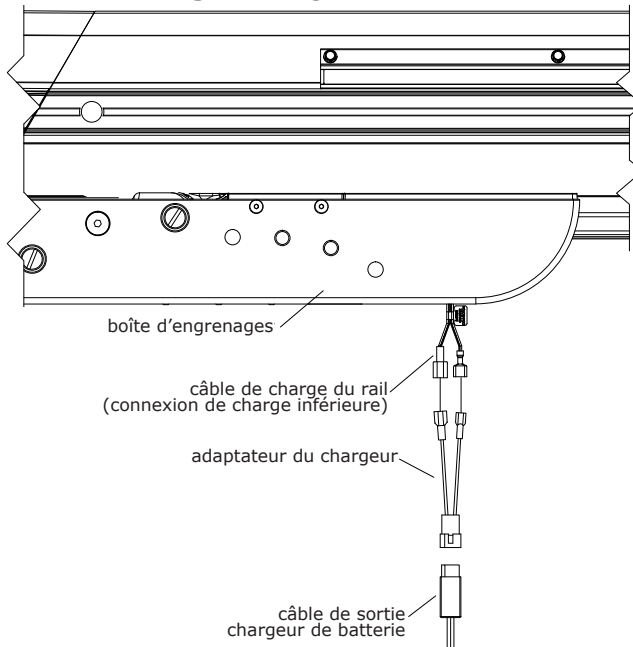
## BRANCHER LE CÂBLAGE DU CHARGEUR - RAIL REPLIABLE

1. Brancher le câblage du chargeur sur le contact de charge (voir à gauche).
2. Monter l'attache adhésive sur le rail, et plier la patte sur le câblage selon l'illustration ci-dessous.

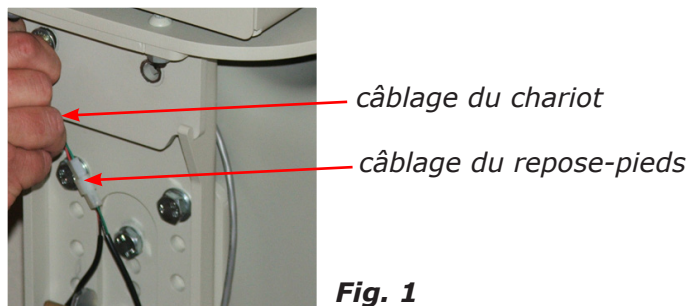
### installation côté droit chargeur en haut de l'escalier



### installation côté droit chargeur au joint du rail

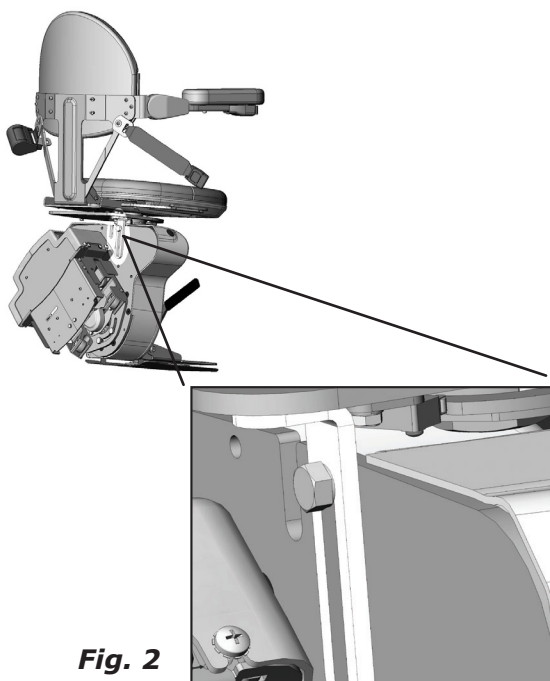


## MONTER LE SIÈGE



**Fig. 1**

1. Débrancher le câblage temporaire du chariot. Garder ce câblage.  
Brancher le connecteur à 2 broches du chariot sur le câblage du repose-pieds (Fig. 1).



**Fig. 2**

2. **Monter le support de siège arrière.**

Consulter la Fig. 2 pour le lieu de montage du support.

Se servir d'un boulon M10 et d'une rondelle de blocage.

**Ne pas serrer en ce moment.**

3. **Monter le siège sur le chariot.**

Incliner le siège légèrement vers l'avant, et le laisser reposer dans les crans du support de siège réglable (Fig. 3).



**Fig. 3**

4. Connecter les deux (2) câblages qui restent:

- 6 broches:

pivotement du siège → interrupteur à bascule

- 12 broches:

pivotement du siège → carte de diagnostic



**Fig. 4**

5. **Fixer légèrement le siège.**

Insérer (2) boulons hexagonaux et (2) rondelles dans les trous du support de siège (Fig. 4).

# INSTALLATION

## MONTER LE SIÈGE (suite)

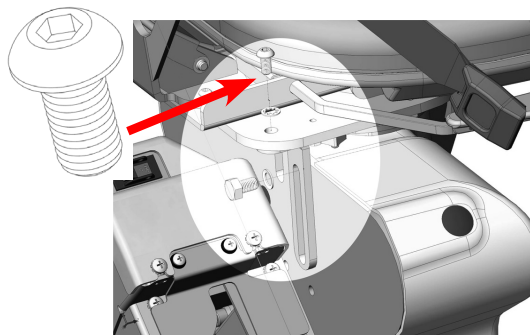


Fig. 3

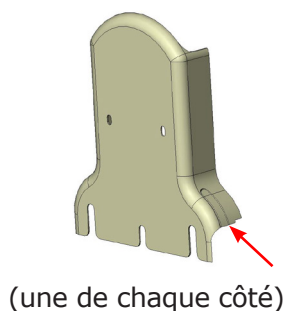


Fig. 4

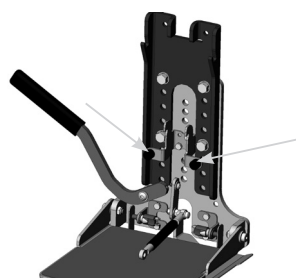


Fig. 5

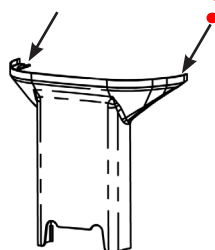


Fig. 6

6. Pivoter le siège pour pouvoir accéder au trou de la vis à tête Allen se situant au-dessus du support de siège (Fig. 3).
7. Insérer la vis à tête Allen. La serrer.
8. Tout en tirant légèrement vers l'avant le dos du siège, serrer complètement le boulon M10 du support de siège (voir l'étape 1).
9. Serrer les boulons insérés à l'étape 5.
10. **Monter le couvercle du repose-pieds.**
  - Découper une encoche pour le levier du repose-pieds (Fig. 4).
  - Démontez les (2) amortisseurs (Fig. 5).
  - Monter le couvercle inférieur du repose-pieds sur le support.
  - Réinsérer les amortisseurs.
11. Desserrer (**sans démonter**) les (2) écrous de 10 mm en haut du couvercle du repose-pieds (Fig. 6).
12. Glisser le couvercle supérieur du repose-pieds sous les écrous desserrés à l'étape 11.
13. Serrer les deux (2) écrous.



## **MONTER LE SIÈGE (suite)**



### **AVERTISSEMENT**

#### **RISQUE DE BLESSURES!**

NE PAS mettre le monte-escalier en service qu'après avoir fixé convenablement les pattes de fixation.

L'observation de cette consigne risque de causer des blessures ou d'endommager le matériel.

14. Mettre le disjoncteur sur ON (marche).
15. Tourner la clé sur ON (marche).
16. Déplier le repose-pieds.
17. À l'aide de l'interrupteur à bascule sur l'accoudeur, faire descendre le siège/chariot sur le rail afin de vérifier les dégagements préconisés:
  - *distance approximative entre le repose-pieds et le nez de marche* [12 à 19 mm (1/2 - 3/4 po)]
  - *distance entre le siège et le mur/obstacle* [12 mm (1/2 po)]Régler selon les besoins.
18. Si les dégagements sont corrects, fixer solidement les autres pattes aux marches de l'escalier.

***Toujours serrer d'abord les boulons insérés dans les trous arrière des pattes!***

## **GRAISSER LA CRÉMAILLÈRE**



1. Faire monter et descendre le monte-escalier sur toute la longueur du rail. Répéter plusieurs fois.
2. Appliquer une couche mince de graisse blanche au lithium **UNIQUEMENT à la crémaillère.**

*Répéter souvent l'application de la graisse en cas d'utilisation maintes fois par jour ou dans des environnements rigoureux.*
3. Le nettoyage périodique du monte-escalier assurera que le rail et la crémaillère demeureront exempts de poussière et de saletés.

# INSTALLATION

## MONTER LE CHARGEUR DES BATTERIES

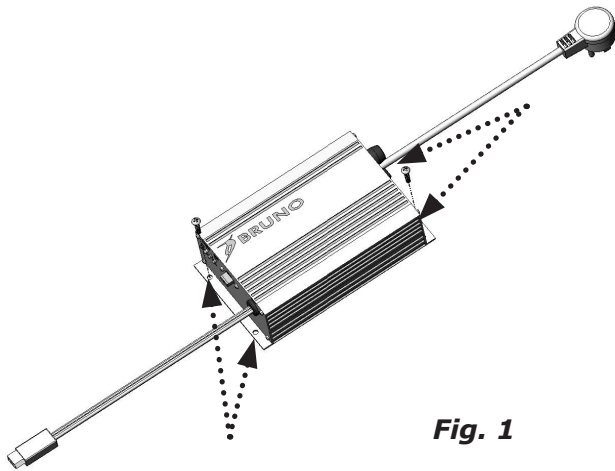


Fig. 1

1. Fixer le chargeur à l'endroit déterminé en insérant les (2) vis (fournies) dans les trous de montage de la base du chargeur (Fig. 1).

**À NOTER: Il existe (2) trous de montage de chaque côté de la base du chargeur. En choisir un de chaque côté.**

2. Brancher le cordon d'alimentation du chargeur sur la prise la plus proche.

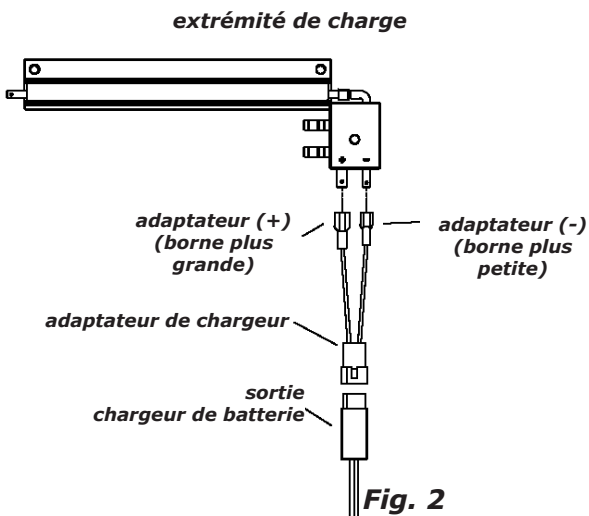
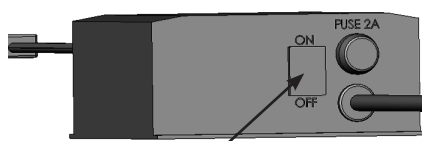


Fig. 2

3. Connecter le câblage de sortie du chargeur des batteries au connecteur de charge de rail à l'aide de l'adaptateur fourni (Fig. 2).
4. Fixer le câblage de l'adaptateur au connecteur de charge du rail à l'aide d'une attache en nylon.
5. Grouper les câblages.
6. Mettre l'interrupteur du chargeur sur ON (marche) (Fig. 3).



interrupteur marche/arrêt Fig. 3

### À NOTER:

**En cas de batteries déchargées, le chariot se déplacera plus lentement jusqu'à ce que la tension tombe au point où le contrôleur s'éteint.**

**Dans ce cas, pauser pendant un moment, puis faire descendre le chariot jusqu'à ce qu'il enclenche le bloc de charge.**

**Les batteries partiellement chargées permettent le déplacement descendant du chariot, mais non pas le déplacement ascendant.**

**Vérifier le branchement du chargeur sur une prise sous tension and attendre la recharge des batteries.**

## VÉRIFICATIONS ET RÉGLAGES

### ***Faire monter et descendre le chariot sur le rail afin de:***

- révéifier le dégagement requis entre le siège et le mur;
- vérifier le fonctionnement correct de tous les éléments du monte-escalier.

### ***Vérifier le fonctionnement des éléments principaux:***

- chargeur des batteries (consulter la page 137).
- télécommandes (consulter **Reprogrammation des télécommandes** à la page 134)
- interrupteur marche/arrêt
- interrupteurs de sécurité du repose-pieds
- empêchement du fonctionnement du monte-escalier lorsque le siège est pivoté.
- interrupteurs de sécurité et de fin de course du chariot

### ***Effectuer des essais du rail repliable électrique (le cas échéant):***

- empêchement du repliage du rail lorsque l'interrupteur de désactivation est mis sur la position d'arrêt.
- fonctionnement de la signalisation sonore continue lorsque le rail repliable est en mouvement (La signalisation sonore sert d'avertir toute personne avoisinante que le rail repliable est en service.)
- clignotement du témoin jaune de la boîte de commande

### ***Effectuer tout réglage final nécessaire (voir Réglages à la fin de l'installation):***

- hauteur du siège
- repose-pieds
- accoudoir

# INSTALLATION

## FORMATION DU CLIENT

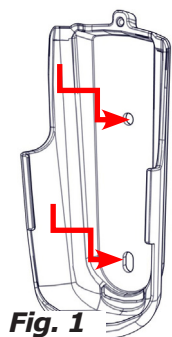


Fig. 1

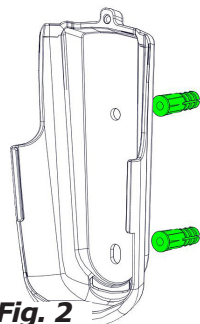


Fig. 2

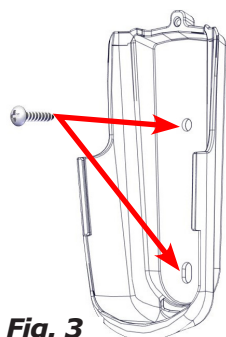


Fig. 3



Fig. 4

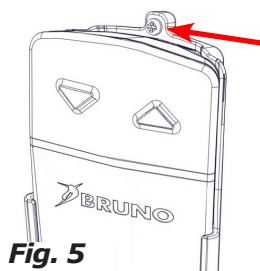


Fig. 5

1. Expliquer à l'utilisateur où se trouve le Guide de l'utilisateur.

Encourager l'utilisateur à se familiariser avec le contenu de ce manuel.

2. **Monter de la télécommande en se servant du kit EN OPTION (TMR-00005):**

- Demander à l'utilisateur d'indiquer la position de montage désirée avant de monter la télécommande au mur.
- Placer le support de télécommande sur le mur.
- Marquer les trous supérieur et inférieur du support (Fig. 1).
- Percer un trou de guidage de diamètre légèrement plus petit que celui des chevilles fournies.
- Frapper doucement les chevilles pour les faire entrer dans le mur en se servant d'un mallet en caoutchouc.
- Mettre le support en position sur le mur de manière à ce que les trous supérieur et inférieur s'alignent avec les chevilles (Fig. 2).
- Fixer le bloc support/télécommande au mur à l'aide des vis fournies (Fig. 3).
- Glisser la télécommande dans le support (Fig. 4).
- *En option:* Insérer la vis supplémentaire fournie afin d'empêcher la sortie de la télécommande de son support (Fig. 5).

3. **Effectuer des essais des télécommandes.**

- À l'aide de l'interrupteur à bascule situé sur l'accoudeur, faire monter et descendre le monte-escalier le long du rail.

**À NOTER: Le mouvement ascendant du monte-escalier sera sensiblement plus vite par rapport à son mouvement descendant.**

- Vérifier le bon fonctionnement et le déplacement en douceur du monte-escalier.
- À l'aide d'une des télécommandes, faire monter et descendre le monte-escalier le long du rail.
- Répéter l'étape n° 3 en se servant de l'autre télécommande.
- Vérifier encore une fois le bon fonctionnement et le déplacement en douceur du monte-escalier.

## FORMATION DU CLIENT (suite)



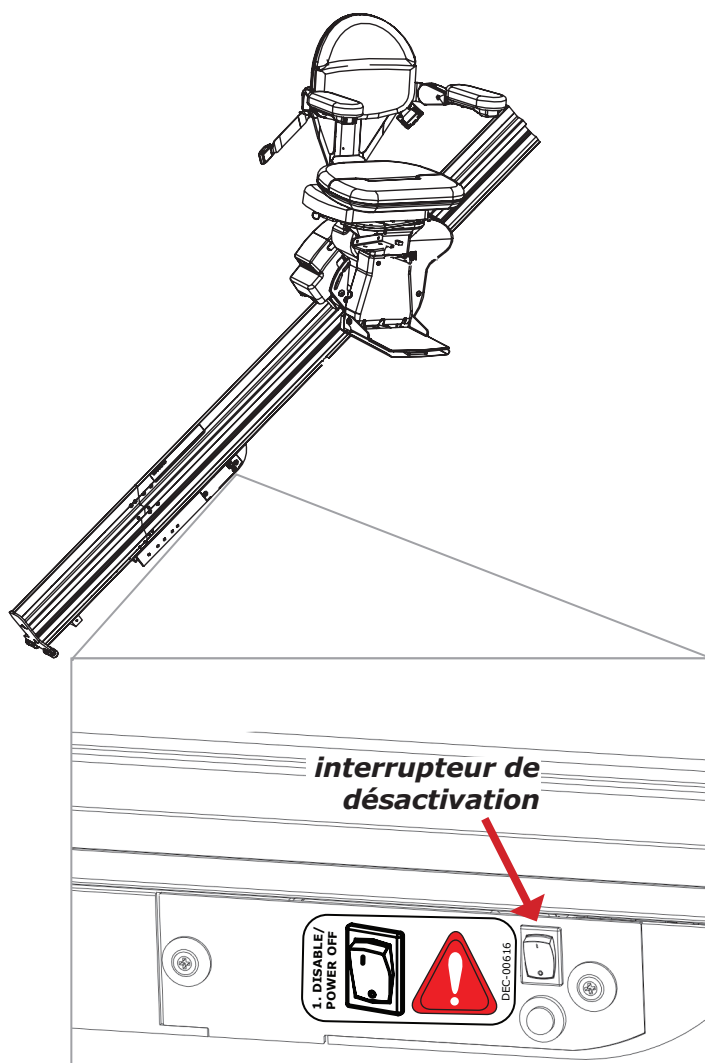
### AVERTISSEMENT

**POINT DE PINCEMENT!**

S'assurer que les zones au-dessus et au-dessous du rail repliable sont dégagées avant de faire fonctionner le rail repliable.

Écarter les enfants et les animaux de compagnie à une distance sûre.

L'inobservation de cette consigne risque de causer des blessures ou d'endommager le matériel.



4. **Apprendre à l'utilisateur à se servir du monte-escalier de façon correcte et en toute sécurité.**
  - Rappeler à l'utilisateur de boucler toujours la ceinture sous-abdominale pendant l'utilisation du monte-escalier.
  - Veiller à demander à l'utilisateur de faire fonctionner le monte-escalier avant de quitter le site d'installation pour pouvoir répondre à toute question et de faire face à toute préoccupation.
  - **Rail repliable manuel**  
Lors du REPLIAGE du rail, le chariot **DOIT OBLIGATOIREMENT** se trouver dans une position qui permet le repliage complet du rail!  
**L'endommagement du chariot SE PRODUIRA** si le chariot est garé au-dessous du point de stationnement médian.
  - **Rail repliable électrique**  
Ce rail ne peut fonctionner **que** lorsqu'il est garé au point de stationnement médian.
  - **Interrupteur de désactivation**
    - Expliquer à l'utilisateur que le panneau de commande comprend un interrupteur de désactivation.  
Si l'on met cet interrupteur sur la position ON (ACTIVER), on empêche le repliage du rail. Cette fonction est destinée à servir lorsque l'on préfère garder le rail dans sa position dépliée pendant une période de temps prolongée.
    - Cet interrupteur permet aussi le dévirage dans l'éventualité d'une panne d'urgence.
    - Assurez-vous de soulever lentement où indiqué par le "LIFT HERE" autocollant sur le rail court. Le fait de soulever le rail dans un mouvement rapide et soudain peut endommager la boîte de vitesses du rail pliant.
  - Mettre l'interrupteur sur la position OFF (DÉSACTIVER) afin de permettre le dépliage et le repliage corrects du rail sous tension.

**À NOTER:**  
Si le rail repliable électrique s'arrête, puis se déplace légèrement dans le sens opposé, et qu'il n'existe AUCUN OBSTACLE, prendre contact avec le Service technique Bruno.

## PROGRAMMATION DES TÉLÉCOMMANDES

**À NOTER: Le canal de service des deux (2) télécommandes expédiées avec le monte-escalier est pré-réglé en usine.**

Une reprogrammation s'impose:

- s'il existe de multiples monte-escaliers dans un même lieu;
- en cas de remplacement de télécommandes.

### Réglage du canal de service

1. Démontez le panneau d'accès aux piles.
2. Localiser le commutateur DIP 'SW3' (Fig. 1).
3. Changer les configurations de DEUX commutateurs DIP. Choisir une (1) des quatre (4) combinaisons possibles:

- **1 haut, 2 bas (réglage défaut en usine)**

- **1 haut, 2 haut**

- **1 bas, 2 haut**

- **1 bas, 2 bas**

### Reprogrammation des télécommandes

1. Mettre le disjoncteur sur 'OFF' (ARRÊT).
2. Démontez la plaque articulée du siège afin de donner accès au circuit imprimé.
3. **modèles côté gauche:** Démontez le carter du côté descendant.  
**modèles côté droit:** Démontez le carter du côté ascendant (Fig. 2);  
Cette action permet de voir le DEL LEARN/ERASE (programmer/effacer) du PCB.
4. Remettez le disjoncteur sur ON (marche).  
Attendre le bip de mise en marche.
5. Localiser le bouton LEARN/ERASE (programmer/effacer) sur le PCB.



Fig. 1

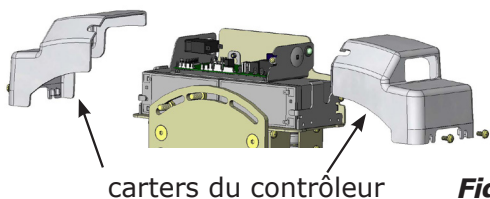


Fig. 2

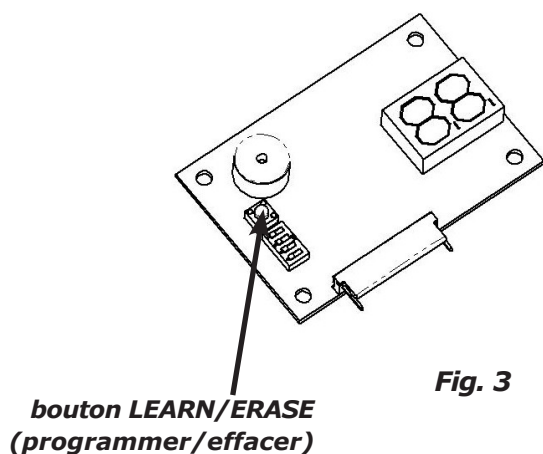


Fig. 3

6. **Effacer la mémoire:**

- Appuyer sans interruption sur le bouton LEARN/ERASE (programmer/effacer) jusqu'à ce que le DEL du PCB s'éteigne (12 secondes, approximativement).

## **PROGRAMMATION DES TÉLÉCOMMANDES (suite)**

7. Appuyer sans interruption sur le bouton LEARN/ERASE (programmer/effacer) (DEL du PCB s'allume).

Tout en appuyant sur le bouton LEARN/ERASE, appuyer sur l'un des boutons de la télécommande jusqu'à ce que le DEL du bouton LEARN/ERASE s'éteigne (de 2 à 5 secondes, approximativement).

8. Relâcher les deux boutons (LEARN/ERASE et télécommande).

**La télécommande est programmée.**

9. ***Essai de fonctionnement de la télécommande***

- Appuyer sur l'un des (2) boutons de la télécommande.
- Si le chariot se met en mouvement, la nouvelle configuration a été acceptée et la reprogrammation réussie.
- Si le chariot ne se met pas en mouvement, répéter les étapes de 6 à 9.

10. S'assurer du réglage de toutes les télécommandes à la même configuration des commutateurs DIP.

**À NOTER: Si les commutateurs DIP de toutes les télécommandes sont réglés à la même configuration, on n'a qu'à programmer une seule télécommande.**

11. Mettre le disjoncteur sur 'OFF' (arrêt).
12. Remonter les carters du contrôleur et la plaque articulée du siège.
13. Remettre le disjoncteur sur 'ON' (MARCHE).
14. Vérifier toutes les fonctions.

# COMPOSANTS ÉLECTRIQUES

## MODE MONOUTILISATEUR vs. MODE MULTIUTILISATEURS/DIAGNOSTIC



AVIS:

Ne toucher aucun élément à l'intérieur du chariot avant de se mettre à la terre en touchant une surface métallique non peinte du monte-escalier telle qu'un boulon exposé, ou l'une des vis de montage du boîtier électrique.

Pendant les interventions, toucher une surface métallique non peinte de temps en temps afin d'éliminer toute accumulation de charges d'électricité statique pouvant nuire aux éléments à l'intérieur du monte-escalier.

**NOTES:** Le monte-escalier est expédié de l'usine en mode multiutilisateur.

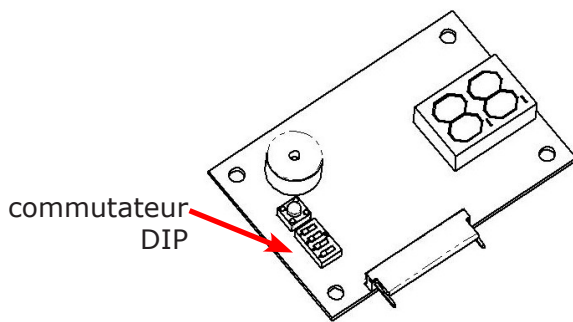
En mode multiutilisateur, lorsque le siège est pivoté en haut du rail, le monte-escalier émet un bip toutes les trois (3) secondes.

En mode monoutilisateur, lorsque le siège est pivoté en haut du rail, le monte-escalier n'émet aucun bip.

<b>SIGNAUX SONORES</b>	
Chirp	0,25 seconde
Bip court	0,50 seconde
Bip long	1,50 secondes
Pause	1,00 seconde

### Changer du mode multiutilisateur au mode monoutilisateur

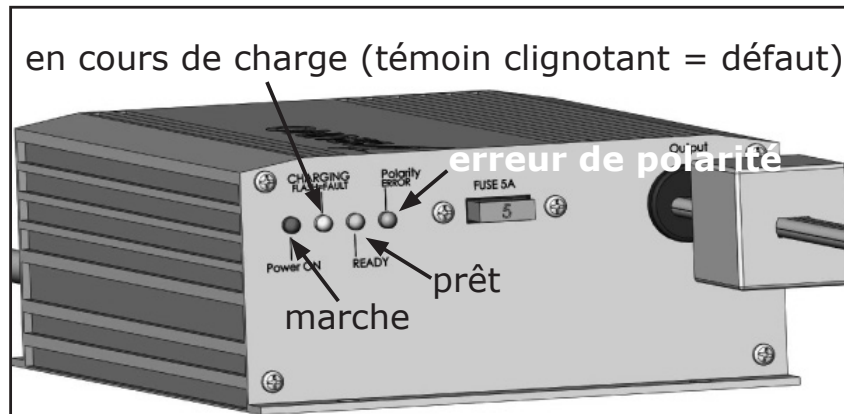
1. Mettre le disjoncteur du chariot sur 'OFF' (arrêt).
2. Replier le siège. Démontez la plaque articulée se trouvant au-dessous du siège pour pouvoir accéder au PCB d'interface.
3. Changer de mode par l'intermédiaire des positions n° 1 et n° 2 du commutateur DIP à 4 groupes. (Consulter le tableau ci-dessous.)
4. Remonter la plaque articulée du siège.
5. Remettre le disjoncteur sur 'ON' (marche) et attendre le signal sonore (BIP) indiquant la mise sous tension.



	<b>POSITION COMMUTATEUR DIP</b>	
	<b>n° 1</b>	<b>n° 2</b>
<b>MODE DIAGNOSTIC</b>		
multiutilisateurs	déclenché	déclenché
monoutilisateur	déclenché	enclenché
silencieux	enclenché	déclenché
avertissements batteries seulement	enclenché	enclenché



## DEL: CHARGEUR DES BATTERIES



<b>ROUGE</b>	<b>JAUNE</b>	<b>VERT</b>	<b>BLEU</b>	<b>ÉTAT</b>
ALLUMÉ	ALLUMÉ ( < 1 sec.) ÉTEINT	ÉTEINT	ÉTEINT	chargeur déconnecté des batteries
ALLUMÉ ( <5 sec.) ALLUMÉ ALLUMÉ	ALLUMÉ ( <5 sec.) ÉTEINT ÉTEINT	ALLUMÉ ( <5 sec.) CLIGNOTE (5 sec.) ÉTEINT	ÉTEINT	détection d'une batterie déconnectée; délai de 5 secondes jusqu'à ce que les DEL jaune et vert s'éteignent complètement
ALLUMÉ	ALLUMÉ	ÉTEINT	ÉTEINT	chargeur fournissant courant maxi- mum (2,2A)
ALLUMÉ	ALLUMÉ	ÉTEINT	ÉTEINT	chargeur à la tension maximum; courant continuant à baisser
ALLUMÉ	ÉTEINT	ALLUMÉ	ÉTEINT	charge complète des batteries; DEL jaune s'éteint de temps en temps
ALLUMÉ	CLIGNOTE ALTERNATIVEMENT	CLIGNOTE ALTERNATIVEMENT	ÉTEINT	indication de basse tension
CLIGNOTE ALTERNATIVEMENT	CLIGNOTE ALTERNATIVEMENT	ÉTEINT	ÉTEINT	batterie défectueuse ou fortement sulfatée
ALLUMÉ	ÉTEINT	CLIGNOTE RAPIDEMENT	ÉTEINT	circuit partiellement ouvert; mauvais contact ou sulfatage des batteries
			ALLUMÉ	connexion inversée de la batterie

# RÉGLAGES APRÈS INSTALLATION

## RÉGLAGE DU REPOSE-PIEDS



1. Démonter les (4) rondelles et les (4) boulons M10 x 16 mm.
2. Desserrer le boulon M10 du support de siège fixant le siège au chariot.
3. Glisser le siège vers le haut ou vers le bas.
4. À la hauteur désirée, aligner les trous de la tige du siège et les trous de la plaque de montage du repose-pieds.
5. Réinsérer les boulons M10 x 16mm et les rondelles correspondantes.
6. Les resserrer.
7. Resserrer le boulon du support de siège fixant le siège au chariot

<i>position du siège en hauteur (hauteur totale en cm)</i>				
<i>position repose- pieds</i>	0	1	2	3
0	55	58	60	63
16	57	60	62	~
32	58	61	~	~

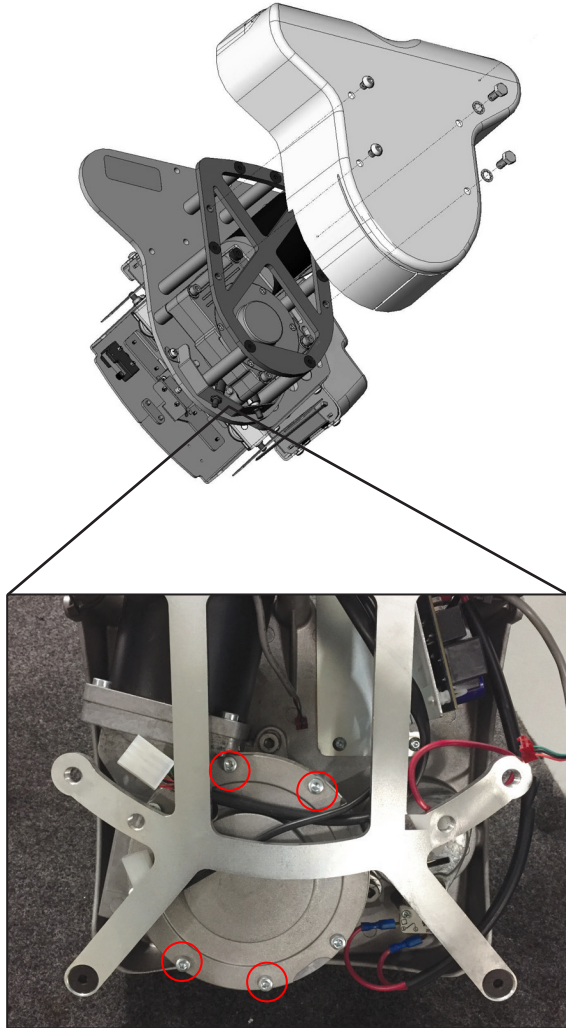
*NOTE: 0,0 = réglage usine  
~ = dépasse la longueur de l'encoche du support de siège*

### NOTES:

- **Si l'on monte le repose-pieds plus haut et veut ensuite régler la hauteur du siège, il est impossible de monter le siège à la position la plus élevée. Le siège n'engagerait plus le support de siège comme il faut. Consulter les tableaux à gauche.**
- **Si l'on veut monter le siège à une des positions marquées du symbole " ~ ", prendre contact avec un représentant du Service Technique Bruno afin de commander un support de siège spécialement conçu à servir dans ces cas (SRE-20710).**

<i>position du siège en hauteur avec SRE-20710 (hauteur totale en cm)</i>				
<i>position repose- pieds</i>	0	1	2	3
0	X	X	60	63
16	X	60	62	64
32	58	61	63	66

## MÉCANISME D'ENTRAÎNEMENT



Le monte-escalier subit des essais sur un rail à l'usine avant l'expédition.

De temps en temps, quelques petites variations peuvent se présenter entre le rail d'essai et le rail installé dans la résidence. Il peut en résulter des vibrations mineures mais ennuyeuses lorsque le chariot est monté sur le rail.

**Pour éliminer les vibrations, régler le mécanisme d'entraînement par crémaillère et pignon.**

1. Veiller au graissage correct de la crémaillère et à la vérification visuelle de la crémaillère ainsi que du pignon. Rechercher l'existence de contaminants.
2. Démontier le siège et le repose-pieds.
3. Le chariot étant monté sur le rail, et le câblage temporaire branché sur le chariot, faire monter et descendre le monte-escalier (avec et sans charge) sur quelques mètres. Rechercher les signes sonores et visuelles indiquant l'existence de vibrations.
  - a. Si le monte-escalier ne témoigne des vibrations que dans le sens descendant, il existe trop de jeu entre le chariot et le rail. Il faut que le pignon s'engrène plus profondément avec les dents de la crémaillère.
  - b. Si le monte-escalier témoigne des vibrations dans les deux sens, le jeu entre le chariot et le rail est insuffisant. Il faut que le pignon s'engrène moins profondément avec les dents de la crémaillère.

**Fig. 1**

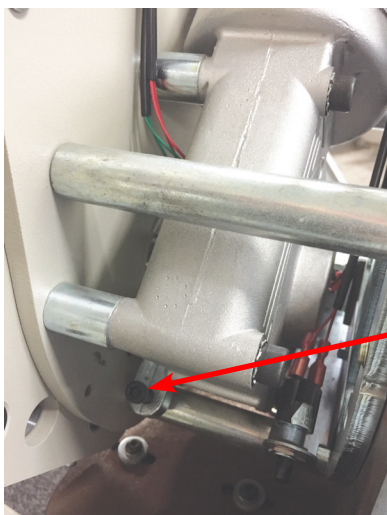
4. Dans les deux cas, desserrer d'1 à 2 tour(s) les (4) boulons de montage du mécanisme d'entraînement (**SANS LES RETIRER**) (Fig. 1) à l'aide des clés Allen de 5mm et de 6 mm.

5. Serrer la vis à vérin d'1/8<sup>ème</sup> de tour (Fig. 2).

6. Les boulons étant toujours desserrés, faire fonctionner le chariot sur le rail, dans les deux sens sur une distance d'1 m (3 pi). Cette action permettra au pignon de retrouver le centre naturel de la crémaillère.

- Si le chariot se déplace sans encombre, resserrer les boulons de montage du mécanisme d'entraînement.
- Si le chariot ne se déplace sans encombre, répéter l'étape 5.

7. Tout en veillant à l'immobilisation du mécanisme d'entraînement, resserrer les trois (3) boulons de montage du mécanisme d'entraînement.



vis à vérin

**Fig. 2**

# RÉGLAGES APRÈS INSTALLATION

## RÉGLAGE DE LA PENTE DU CHARIOT

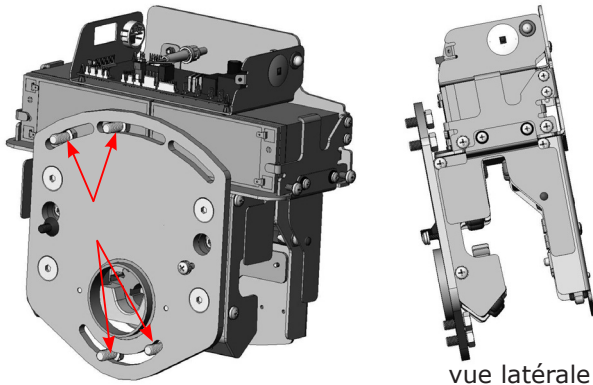


Fig. 1

1. Démontez les couvercles avant et supérieur du chariot.
2. Démontez les batteries.

**À NOTER: Pendant le démontage des batteries, ne pas mettre les bornes à terre aux plaques d'acier.**

3. Desserrer les (4) boulons hexagonaux (Fig. 1).
4. Pivoter le chariot à la pente désirée.
5. Resserrer les (4) boulons hexagonaux.
6. Remonter les batteries. Les reconnecter.
7. Remonter les couvercles avant et supérieur du chariot. Les fixer.

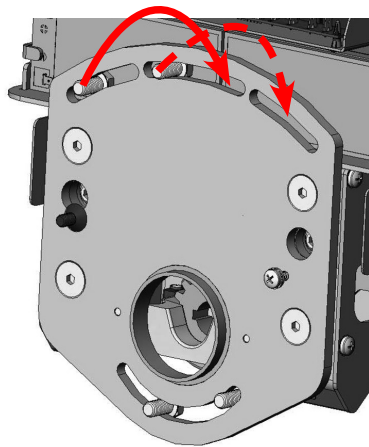


Fig. 2

### À NOTER:

**La plaque de réglage de la pente du chariot (Fig. 2) est dotée de plusieurs fentes (au lieu d'une seule fente longue) pour rehausser la sécurité de l'installation.**

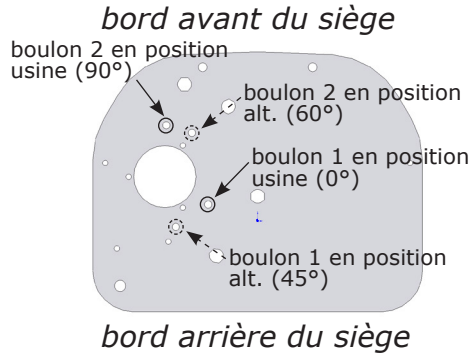
**Dès l'expédition de l'usine, les boulons sont insérés dans les fentes de manière à correspondre à la gamme "normale" de pentes.**

**Cependant, les pentes requises par l'installation en cours peuvent être plus ou moins inclinées par rapport à celles de la gamme "normale".**

**Dans ce cas, il faudra retirer les boulons et les réinsérer dans les fentes avoisinantes.**

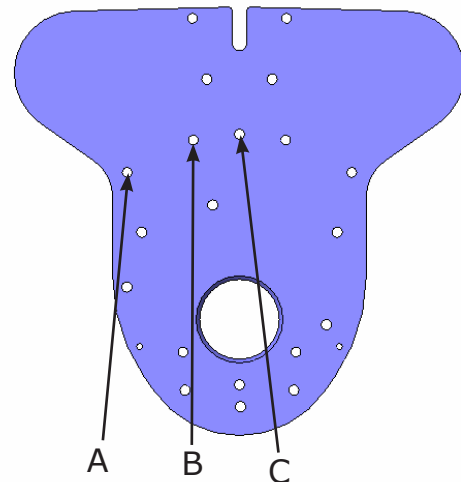
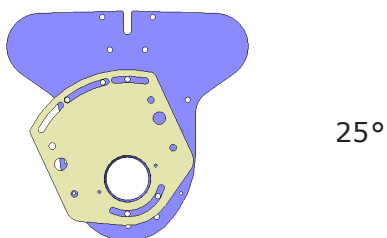
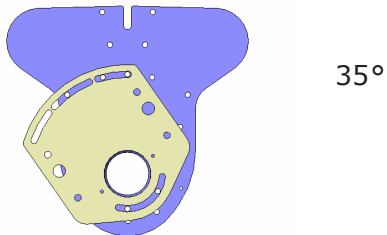
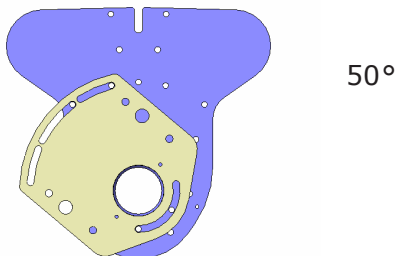
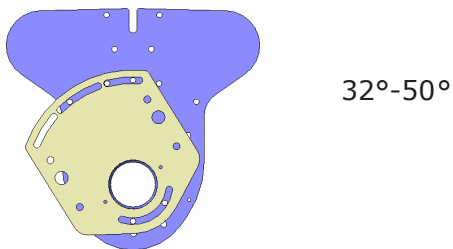
## RÉGLAGE DU POINT D'ARRÊT DE PIVOTEMENT DU SIÈGE

**orientation côté gauche  
(vue d'en haut)**



1. Démontez la plaque articulée inférieure du siège.
2. Retirez les boulons 1 et 2 (position d'usine).
3. Pivotez le siège pour pouvoir accéder aux trous des positions alternatives des boulons 1 et 2.
4. Appliquez du Loctite 242 (bleu) aux boulons 1 et 2, insérez et serrez ces boulons au couple requis.
5. Remontez la plaque articulée inférieure du siège et la fixez à l'aide de ses (2) vis.

## RÉGLAGE DU CHARIOT



<b>gamme de pente</b>	<b>position des boulons</b>		
	<b>A</b>	<b>B</b>	<b>C</b>
32° à 50°	boulon 1	boulon 2	aucun
25° à 35°	boulon 1	aucun	boulon 2

En cas de pentes inférieures à 25 degrés, utiliser deux quelconques des cinq trous taraudés supérieurs qui fournissent la distance maximale entre les trous pour cette position.

# RÉGLAGES APRÈS INSTALLATION

## EXTENSION DES ACCOUDOIRS



**Fig. 1**



**Fig. 2**



**Fig. 3**



**Fig. 4**



**Fig. 5**

1. Démontez la plaquette de protection de l'articulation de l'accoudoir (Fig. 1).
2. Couper l'attache-câble (Fig. 2).
3. Desserrer et retirer les (3) vis du support de l'accoudoir (Fig. 3).
4. Allonger l'accoudoir en le glissant à la position qui convient le mieux à l'utilisateur (Fig. 4).  
**À NOTER: Il existe trois (3) positions possibles.**
5. Réinsérer les (3) vis du support de l'accoudoir. Les resserrer.
6. Former une boucle en entourant le fil sur le point d'articulation (aucune attache-câble n'est nécessaire).
7. Remonter la plaquette de protection et la fixer à l'aide de sa vis.
  - **Ne pas trop serrer!**
  - **S'assurer que le câble repose dans l'ouverture (Fig. 5).**
8. Répéter les étapes précédentes pour l'accoudoir du côté opposé (sur modèles sans clé de contact).

## RECHERCHE DES CAUSES DE PANNE

<p style="text-align: center;"><b>LE MONTE-ESCALIER NE FONCTIONNE PAS/ LES BATTERIES NE SE RECHARGENT PAS</b></p>	<ul style="list-style-type: none"> <li>• Vérifier le disjoncteur. <i>Le réarmer, si nécessaire.</i></li> <li>• Vérifier les connexions des batteries.</li> <li>• Vérifier les interrupteurs de sécurité du repose-pieds. Existe-il un interrupteur engagé? <i>La plaque mobile sous le repose-piede devrait pouvoir se déplacer librement, et ne devrait pas se coincer dans une position pouvant engager un des interrupteurs de sécurité.</i></li> <li>• Vérifier l'existence de batteries déchargées. <i>La gamme de tension recommandée est de 16 à 28 VCC.</i></li> <li>• Vérifier que la clé de contact est tournée sur ON (MARCHE).</li> </ul>
<p style="text-align: center;"><b>LE MONTE-ESCALIER FONCTIONNE LENTEMENT, ET MANQUE DE PUISSANCE</b></p>	<ul style="list-style-type: none"> <li>• Vérifier l'existence de batteries déchargées.</li> <li>• Vérifier l'existence de mauvaises connexions.</li> <li>• Vérifier que le chargeur est convenablement branché et en service.</li> </ul>
<p style="text-align: center;"><b>LES COMMANDES FONCTIONNENT AU SENS INVERSE; LE MOUVEMENT ASCENDANT EST PLUS LENT QUE LE MOUVEMENT DESCENDANT</b></p>	<ul style="list-style-type: none"> <li>• On a installé le monte-escalier du côté droit de l'escalier sans régler le commutateur DIP et/ou on n'a pas installé le siège.</li> </ul>
<p style="text-align: center;"><b>LE MONTE-ESCALIER FONCTIONNE IRRÉGULIÈREMENT OU DE FAÇON INTERMITTENTE LORSQUE L'ON UTILISE LA TÉLÉCOMMANDE</b></p>	<ul style="list-style-type: none"> <li>• Vérifier tous les mécanismes de sécurité, y compris l'interrupteur de sécurité du siège.</li> <li>• Changer la position de la télécommande (pour établir une ligne de visée inobstruée entre la télécommande et le chariot).</li> <li>• Demander à un technicien expérimenté d'examiner le monte-escalier ou appeler Bruno.</li> </ul>
<p style="text-align: center;"><b>LE MONTE-ESCALIER FONCTIONNE IRRÉGULIÈREMENT OU DE FAÇON INTERMITTENTE LORSQUE L'ON UTILISE L'INTERRUPTEUR À BASCULE SUR L'ACCOUDOIR</b></p>	<ul style="list-style-type: none"> <li>• Vérifier l'interrupteur de sécurité du mécanisme de pivotement du siège.</li> <li>• Vérifier que le bac du repose-pied n'entre en contact ni avec les nez de marche ni avec des obstacles présents sur l'escalier.</li> <li>• Rechercher la présence d'obstacles pouvant nuire au fonctionnement des interrupteurs de sécurité (repose-pieds et chariot).</li> </ul>
<p style="text-align: center;"><b>LE MONTE-ESCALIER NE FONCTIONNE PAS À MOINS QUE LE SIÈGE S'ORIENTE VERS LE CÔTÉ OUVERT DE L'ESCALIER</b></p>	<ul style="list-style-type: none"> <li>• Ceci représente le fonctionnement correct du monte-escalier.</li> <li>• Un interrupteur de sécurité faisant partie du mécanisme de pivotement du siège empêche le fonctionnement du monte-escalier lorsque le siège ne se trouve pas dans la position de service.</li> </ul>
<p style="text-align: center;"><b>LE MONTE-ESCALIER NE FONCTIONNE PAS LORSQUE L'ON UTILISE LA TÉLÉCOMMANDE</b></p>	<ul style="list-style-type: none"> <li>• Vérifier les piles des télécommandes.</li> <li>• S'assurer de l'existence d'une ligne de visée inobstruée entre le chariot et la télécommande.</li> <li>• Reprogrammer les télécommandes.</li> </ul>
<p style="text-align: center;"><b>LE MONTE-ESCALIER NE SE MET PAS HORS SERVICE LORSQU'IL ENTRE EN CONTACT AVEC LE BLOC DE CHARGE AU BOUT DU RAIL</b></p>	<ul style="list-style-type: none"> <li>• Vérifier le fonctionnement de l'interrupteur de fin de course dans le chariot.</li> </ul>
<p style="text-align: center;"><b>FONCTIONNEMENT CAHOUTEUX OU QUI ÉMET DES BRUITS</b></p>	<ul style="list-style-type: none"> <li>• Essuyer le rail.</li> <li>• Appliquer une petite quantité de graisse <b><i>uniquement à la crémaillère.</i></b></li> </ul>

# RECHERCHE DES CAUSES DE PANNE

## CODES DE DIAGNOSTIC

Se référer au code affiché au dessous du siège et aux valeurs correspondantes ci-dessous.

Affichage/ Groupe diagnostique (indicateur de groupe)	VISUEL		AUDIBLE		VISUEL		AUDIBLE		AUDIBLE						
	Segment 1	Segment 2	Mode 1 S1-0 (Off) S2-0 (Off)	Mode 2 S1-0 (Off) S2-1 (On)	Mode 3 S1-1 (On) S2-0 (Off)	Mode 4 S1-1 (On) S2-1 (On)	Segment 1	Segment 2	Mode 1 S1-0 (Off) S2-1 (On)	Mode 2 S1-0 (Off) S2-1 (On)	Mode 3 S1-1 (On) S2-0 (Off)	Mode 4 S1-1 (On) S2-1 (On)	multi- utilisé r	mono- utilisé r	
S - Solide = Condition 'normal' CF - Clignotement ininterrompu = Code d'erreur	<b>CRE et SRE</b>														
	<b>SRE-2010 nouveau modèle (PCB-00133/136)</b>														
	<b>SRE-3000 (PCB-00124/140)</b>														
	<b>Groupe état charge/batteries (C)</b>														
	Rechargement actif (chargeur détecté)	C	1	aucun	aucun	aucun	aucun	C	1	aucun	aucun	aucun	aucun	aucun	aucun
	Rechargement non actif (fonctionnement interrupteur à bascule ou télécommande)	C	2	aucun	aucun	aucun	aucun	C	2	aucun	aucun	aucun	aucun	aucun	aucun
	Rechargement non actif et monte-escalier non garé (condition d'erreur)	C	3	BBBLL	BBBLL	BBBLL	BBBLL	C	3	BBBLL	BBBLL	BBBLL	BBBLL	BBBLL	BBBLL
	monte-escalier garé et chargeur non détecté	C	4	BBLL	BBLL	BBLL	BBLL	C	4	BBLL	BBLL	BBLL	BBLL	BBLL	BBLL
	tension de batterie critique (~18V)	C	5	BBLL	BBLL	BBLL	BBLL	C	5	BBLL	BBLL	BBLL	BBLL	BBLL	BBLL
	basse tension de batterie (<18V)	C	6	aucun	aucun	aucun	aucun	C	6	aucun	aucun	aucun	aucun	aucun	aucun
siège pivotant motorisé en mouvement (avant SW Rév. 2.7 seulement-voir A6)	C	7	aucun	aucun	aucun	aucun	C	7	aucun	aucun	aucun	aucun	aucun	aucun	
repose-pieds motorisé en mouvement (avant SW Rév. 2.7 seulement-voir A7)	C	8	aucun	aucun	aucun	aucun	C	8	aucun	aucun	aucun	aucun	aucun	aucun	
<b>Groupe entrées interrupteurs/interrupteurs de fin de course (L)</b>															
SSS ouvert	L	1	S.M.CPPP	S.M	aucun	aucun	L	1	S.M.CPPP	S.M	aucun	aucun	S.M.CPPP	S.M	
interrupteur de fin de course (sens ascendant) : ouvert	L	2	S.M	S.M	aucun	aucun	L	2	S.M	S.M	aucun	aucun	S.M	S.M	
interrupteur de fin de course (sens descendant) : ouvert	L	3	S.M	S.M	aucun	aucun	L	3	S.M	S.M	aucun	aucun	S.M	S.M	
interrupteur de clé de contact fermé (pas utilisé actuellement)	L	4	M.P.PCC	M	aucun	aucun	L	4	M.P.PCC	M	aucun	aucun	NA	NA	
interrupteur pliage/dépliage de siège : ouvert (pas utilisé actuellement)	L	5	M	M	aucun	aucun	L	5	M	M	aucun	aucun	NA	NA	
point de stationnement in-trail : actif	L	6	S	S	aucun	aucun	L	6	S	S	aucun	aucun	S	S	
interrupteur d'entrée de frein	L	7	M	M	aucun	aucun	L	7	M	M	aucun	aucun	NA	NA	
interrupteur d'arrêt en douceur <= Soft Stop >>	L	8	aucun	aucun	aucun	aucun	L	8	aucun	aucun	aucun	aucun	aucun	aucun	
<b>Groupe interrupteurs opérationnels (O)</b>															
interrupteur à bascule, sens ascendant	O	1	aucun	aucun	aucun	aucun	O	1	aucun	aucun	aucun	aucun	aucun	aucun	
interrupteur à bascule, sens descendant	O	2	aucun	aucun	aucun	aucun	O	2	aucun	aucun	aucun	aucun	aucun	aucun	
interrupteur de programmation	O	3	aucun	aucun	aucun	aucun	O	3	aucun	aucun	aucun	aucun	aucun	aucun	
télécommande, sens ascendant	O	4	aucun	aucun	aucun	aucun	O	4	aucun	aucun	aucun	aucun	aucun	aucun	
télécommande, sens descendant	O	5	aucun	aucun	aucun	aucun	O	5	aucun	aucun	aucun	aucun	aucun	aucun	
<b>Groupe diagnostics (d)</b>															
panne de pot. de vitesse (ouvert)	d	1	aucun	aucun	aucun	aucun	d	1	aucun	aucun	aucun	aucun	aucun	aucun	
mémoire à capacité maximale, information d'identification d'émetteur	d	2	BLL	BLL	aucun	aucun	d	2	BLL	BLL	aucun	aucun	BLL	BLL	
somme de contrôle défectueuse, mémoire programme	d	3	aucun	aucun	aucun	aucun	d	3	aucun	aucun	aucun	aucun	aucun	aucun	
défaut surintensité	d	4	CCCC	CCCC	CCCC	CCCC	d	4	CCCC	CCCC	CCCC	CCCC	CCCC	CCCC	
défaut température excessive	d	5	CCC	CCC	CCC	CCC	d	5	CCC	CCC	CCC	CCC	CCC	CCC	
vitesse ignorée, température élevée	d	6	aucun	aucun	aucun	aucun	d	6	aucun	aucun	aucun	aucun	aucun	aucun	
arrêt, basse tension	d	7	CCCCC	CCCCC	CCCCC	CCCCC	d	7	CCCCC	CCCCC	CCCCC	CCCCC	CCCCC	CCCCC	
télécommande non programmée	d	8	aucun	aucun	aucun	aucun	d	8	aucun	aucun	aucun	aucun	aucun	aucun	
<b>Groupe défauts relais FET ( transistor à effet de champ) (F)</b>															
court-circuit FET d'entraînement	F	1	aucun	aucun	aucun	aucun	F	1	aucun	aucun	aucun	aucun	aucun	aucun	
court-circuit relais de sécurité	F	2	aucun	aucun	aucun	aucun	F	2	aucun	aucun	aucun	aucun	aucun	aucun	
défaut relais circuit ponté (H-Bridge)	F	3	aucun	aucun	aucun	aucun	F	3	aucun	aucun	aucun	aucun	aucun	aucun	
défaut de circuit de sécurité	F	4	aucun	aucun	aucun	aucun	F	4	aucun	aucun	aucun	aucun	aucun	aucun	
entrée d'essai élevée défaut interne - ne devrait jamais se reproduire)	F	5	aucun	aucun	aucun	aucun	F	5	aucun	aucun	aucun	aucun	aucun	aucun	
faible entrée d'essai défaut interne - ne devrait jamais se reproduire)	F	6	aucun	aucun	aucun	aucun	F	6	aucun	aucun	aucun	aucun	aucun	aucun	
défaut de mesure de courant AUX (avant SW Rév. 2.7 seulement-voir A8)	F	7	aucun	aucun	aucun	aucun	F	7	aucun	aucun	aucun	aucun	aucun	aucun	
défaut de relais inconnu (ne devrait jamais se reproduire)	F	8	aucun	aucun	aucun	aucun	F	8	aucun	aucun	aucun	aucun	aucun	aucun	





## RÉGLAGE DU JOINT DU RAIL REPLIABLE

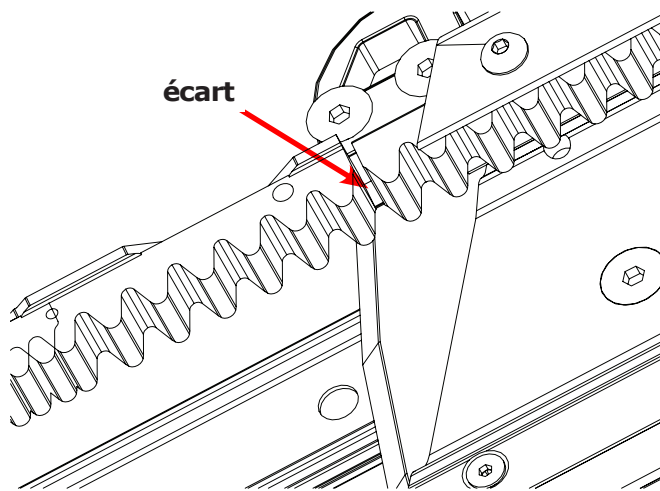


Fig. 1

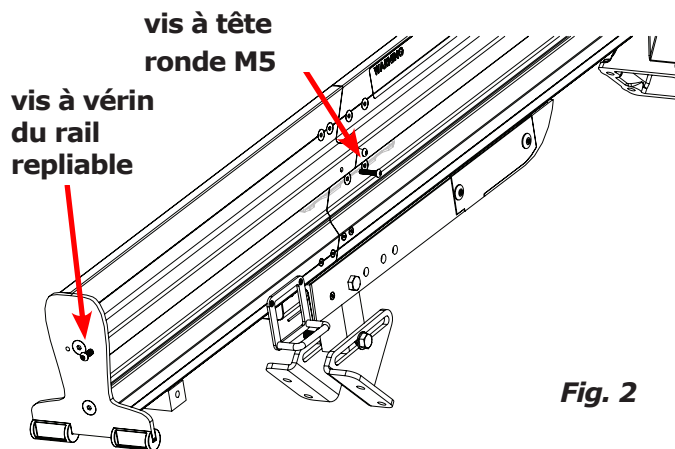
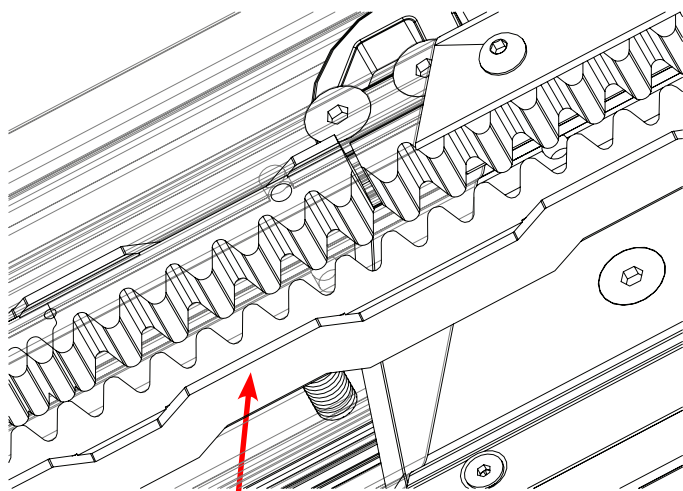


Fig. 2



tronçon de  
crémaillère

Fig. 3

1. Vérifier que l'écart réglé en usine (le petit espace entre la crémaillère du rail principale et celle du rail repliable) se trouve au niveau du joint d'articulation (Fig. 1).
2. Après avoir serré la vis à vérin de la plaque terminale supérieure, desserrer la vis à vérin du rail repliable.
3. Desserrer la vis à tête ronde M5 qui fixe la crémaillère du rail repliable (Fig. 2).
4. Se servir d'un tronçon de crémaillère pour couvrir le joint entre le rail principal et le rail repliable (Fig. 3).

Cette manoeuvre sert à maintenir le pas nécessaire au mouvement sécuritaire du mécanisme d'entraînement et du mécanisme de protection contre la survitesse (modèles SRE-2010C/OS seulement) à travers le joint.

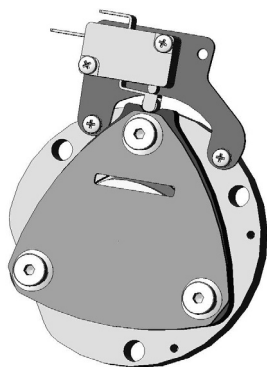
5. Serrer lentement la vis à vérin du rail repliable jusqu'à ce que le tronçon de crémaillère se libère.
6. Serrer la vis à tête ronde M5 afin de fixer en position la pièce supérieure du rail repliable.

### À NOTER:

**NE JAMAIS retirer la vis du rail principal!**

***L'inobservation de cette consigne provoquera la chute du chariot et des tronçons de crémaillère.***

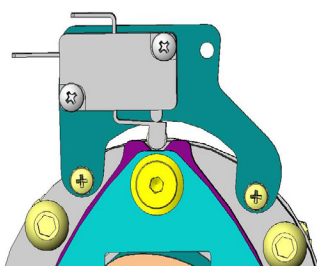
## MÉCANISME DE PROTECTION POUR SRE-2010C & SRE-2010OS INSTALLATIONS



Le mécanisme de protection contre la survitesse est un appareil de sécurité destiné à empêcher le fonctionnement du monte-escalier dans l'éventualité peu probable que la vitesse descendante deviendrait excessive.

Lorsque l'interrupteur de protection contre la survitesse est déclenché, la petite roue ne se situera pas dans le centre de l'encoche (la vallée) (Fig. 1).

**Fig. 1** *Le ré-enclenchement de l'interrupteur de protection contre la survitesse s'impose* pour permettre la remise en service du monte-escalier. (Fig. 2).



**Fig. 2**

### **Ré-enclenchement de l'interrupteur de protection contre la survitesse**

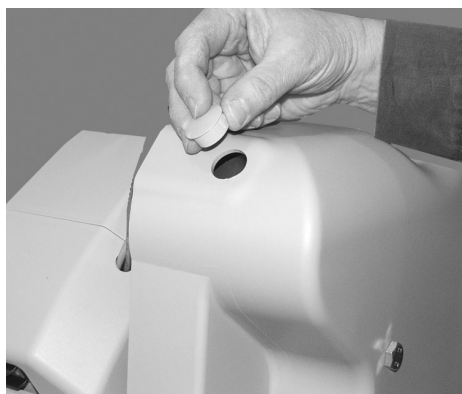
1. Démonter le bouchon d'accès du côté moteur (Fig. 3).
2. À l'aide d'une douille de 5/16 po, tourner le moteur réducteur dans le sens **horaire** pour faire déplacer le chariot dans le sens ascendant. Continuer à tourner jusqu'à ce que le chariot se déplace librement (Fig. 4).

### ***L'interrupteur devrait se ré-enclencher automatiquement.***

3. Vérifier l'existence d'un mécanisme d'entraînement endommagé.
4. Si le mécanisme d'entraînement n'est pas endommagé, sortir le chariot du rail à l'aide de l'interrupteur à bascule. Effectuer une révision plus complète.

### **Dans le cas où l'interrupteur de protection contre la survitesse ne se ré-enclenche pas**

1. Démonter les (2) couvercles avant.
2. Démonter le siège.
3. Démonter le repose-pieds.
4. Démonter le protecteur du mécanisme d'entraînement.
5. Tourner l'anneau à cames de manière à centrer la petite roue de l'interrupteur dans la vallée.
6. Démonter le chariot et le mécanisme d'entraînement. Examiner ces éléments.
7. Si possible, faire les réparations nécessaires et remonter le chariot et le mécanisme d'entraînement. Sinon, renvoyer ces éléments à l'usine pour réparation.



**Fig. 3**



**Fig. 4**

**GARANTIE LIMITÉE BRUNO GOLD POUR MONTE-ESCALIERS**  
**garantie à vie limitée: éléments constitutifs majeurs – 2 ans pièces détachées**

Grâce à la confiance absolue accordée à ses produits conçus et fabriqués aux É.-U., Bruno Independent Living Aids, Inc.<sup>MD</sup> ("Bruno"), est heureux à fournir à tout premier acheteur la garantie suivante, parmi les meilleures de l'industrie.

La qualité de nos pièces ainsi que l'exécution soignée de nos employés permettent à Bruno d'offrir au premier acheteur de son monte-escalier Bruno la garantie suivante :

- ◇ que toutes les pièces, autres que les éléments constitutifs majeurs, sont/seront exemptes de vices de fabrication et de main-d'œuvre pendant une période de 2 ans à compter de la date d'installation effectuée par un distributeur agréé Bruno.
- ◇ que tous les éléments constitutifs majeurs à inclure le moteur, le système d'entraînement à moteur/boîte d'engrenage et le rail du monte-escalier Bruno sont/seront exempts de vices de fabrication et de main-d'œuvre pendant la vie du produit et aussi longtemps que le premier acheteur reste propriétaire du monte-escalier.
- ◇ que toute main-d'œuvre nécessaire au remède d'une défectuosité du produit et effectuée par un distributeur agréé Bruno est couverte pendant les 30 premiers jours à compter de la date d'installation effectuée par un distributeur agréé Bruno.
- ◇ Toutes les garanties Bruno sont à compter de la date d'installation du monte-escalier Bruno dont l'installation a été effectuée par un distributeur agréé Bruno .

Les distributeurs agréés Bruno ont reçu une formation leur permettant d'évaluer votre situation unique, puis d'installer le meilleur produit Bruno qui répond à vos exigences. Les techniciens d'installation et de service formés et employés par les distributeurs agréés Bruno possèdent les ressources et l'équipement nécessaires à la bonne installation et à l'entretien soutenu du monte-escalier. Les distributeurs agréés Bruno sont les premières personnes à contacter pour des questions ayant trait à la garantie ou à l'entretien.

**CE QUI N'EST PAS COUVERT PAR LA GARANTIE**

- ◇ Dommages qui résultent de l'utilisation négligente ou abusive, des accidents, ou des modifications non effectuées par un distributeur agréé Bruno.
- ◇ Éléments consommables tels que les piles des télécommandes.
- ◇ Toute main-d'œuvre effectuée par un distributeur agréé Bruno après les 30 premiers jours à compter de la date d'installation.
- ◇ Usure habituelle.

**REMARQUES SUPPLÉMENTAIRES**

- ◇ Toute demande de garantie et d'entretien doit s'adresser au distributeur agréé Bruno ayant effectuée l'installation du produit. Pour assurer que la couverture de la garantie reste intacte, toute intervention d'entretien et de réparation, autre que les interventions d'entretien effectuées par le premier acheteur selon les indications du guide de l'utilisateur, doivent être effectuées par un distributeur agréé Bruno.
- ◇ En aucun cas Bruno ne pourra être tenu pour responsable de tout dommage indirect, spécifique ou consécutif, qu'il s'agisse de dommages résultant de réclamations fondées sur la garantie, le contrat, le délit (y compris la négligence, la responsabilité stricte ou du fait du produit).
- ◇ Bruno, à sa seule discrétion, se réserve le droit de remplacer, de réparer, ou s'il n'est ni pratique ni faisable d'un point de vue commerciale, d'opter à rembourser le prix d'achat au premier acheteur.
- ◇ La présente garantie accorde au premier acheteur des droits légaux spécifiques, et d'autres droits, lesquels varient d'une région à l'autre. Bruno n'autorise personne à prolonger la période de la présente garantie, ni à élargir le cadre de la garantie.

Pour de plus amples renseignements portant sur la présente garantie limitée, prière de prendre contact avec Bruno. Ses coordonnées sont indiquées ci-dessous.

Amérique du Nord:

Bruno Independent Living Aids, Inc.®  
Attn: Service Technique  
1780 Executive Drive  
Oconomowoc, Wisconsin 53066 É.-U.  
Tel. (sans frais ) 1-800-882-8183

Royaume-Uni et Europe

Bruno  
Unit 5, Millennium Court,  
Clayhill Industrial Park Neston,  
Wirral CH64 3UZ Royaume-Uni  
Tel. 0151 559 0732

## CERTIFICAT DE DÉCLARATION DE CONFORMITÉ CE

Nous:

Bruno Independent Living Aids, Inc.®

dont le siège social se situe à :

1780 Executive Drive  
Oconomowoc, WI 53066 É.-U.

Entreprise certifiée selon ISO 9001:2008

Facilité UE:

Unit 5, Millennium Ct  
Clayhill Industrial Park  
Neston, Wirral, CH64 3UZ R.-U.

déclarons que sous notre seule responsabilité, notre produit fabriqué:

MODÈLE: SRE-2010

Numéro de série: Les données de la section à gauche sont apposées en usine à la date de fabrication sur la chaîne de fabrication.

Date de fabrication:

a été conçu et testé afin de répondre (le cas échéant) aux lois, directives, caractéristiques et normes suivantes ayant trait à la Directive Machines relative aux monte-escaliers inclinés électriques destinés à ceux qui souffrent de déficiences physiques:

### DIRECTIVES

2004/108/EC Directive relative à la compatibilité  
électromagnétique  
2006/42/EC Directive relative aux machines  
2006/95/EC Directive relative à la basse tension

### NORMES

EN 81-40:2008  
EN 60204 Part 1:2006 EN 954 Part 1:1996  
EN 60335 Part 1:1994 EN ISO 12100-1:2003  
EN ISO 12100-2:2003 EN 349:2008  
EN 294:1992 CISPR 11  
EN 61000

lorsqu'il est installé conformément aux indications du fabricant et que l'on le fait fonctionner en conformité avec les instructions de fonctionnement du fabricant.

Nous désignons par les présentes :

Bruno  
Unit 5, Millennium Count  
Clayhill Industrial Park  
Neston, Wirral CH64 3UZ  
Royaume-Uni

d'agir en qualité de représentant autorisé du fabricant et de détenteur de fiches techniques.

Date de délivrance: 02 avril 2018

Lieu: Oconomowoc, WI É.-U.

Neston, Royaume-Uni

PAR:



William W. Belson, III  
Directeur de l'ingénierie



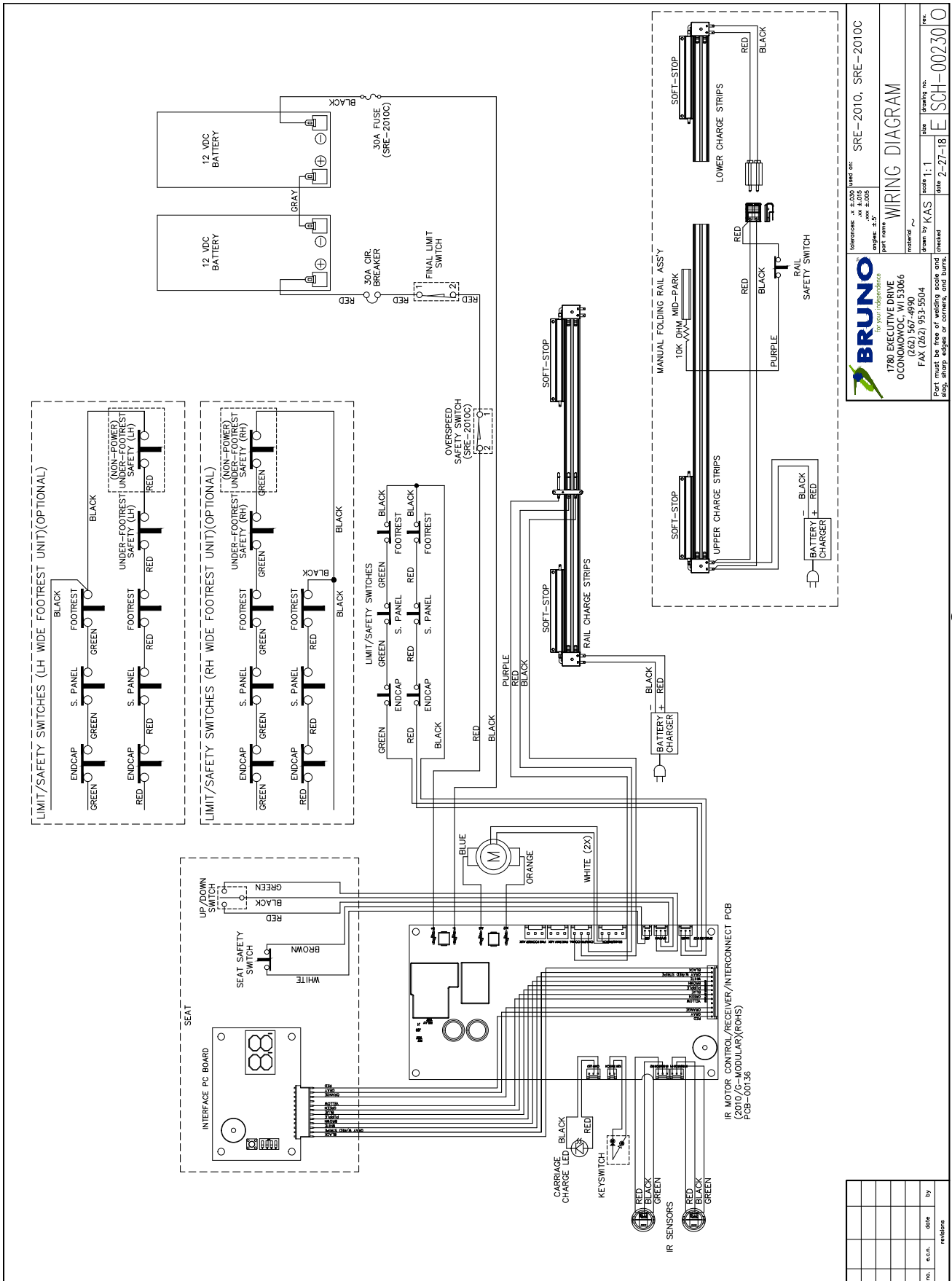
Robert J. Hambleton  
Directeur général et technique

RÉVISION:

PAR:



# WIRING SCHEMATICS / ESQUEMA DE CABLEADO / SCHÉMAS DE CÂBLAGE



**BRUNO**  
 1780 EXECUTIVE DRIVE  
 OCONOMOC, WI 53066  
 (262) 567-4990  
 FAX (262) 953-5504

Part must be free of welding spalls and slag, sharp edges or burrs.

Scale: 1:1  
 Date: 2-27-18  
 Drawing No.: E SCH-0023010

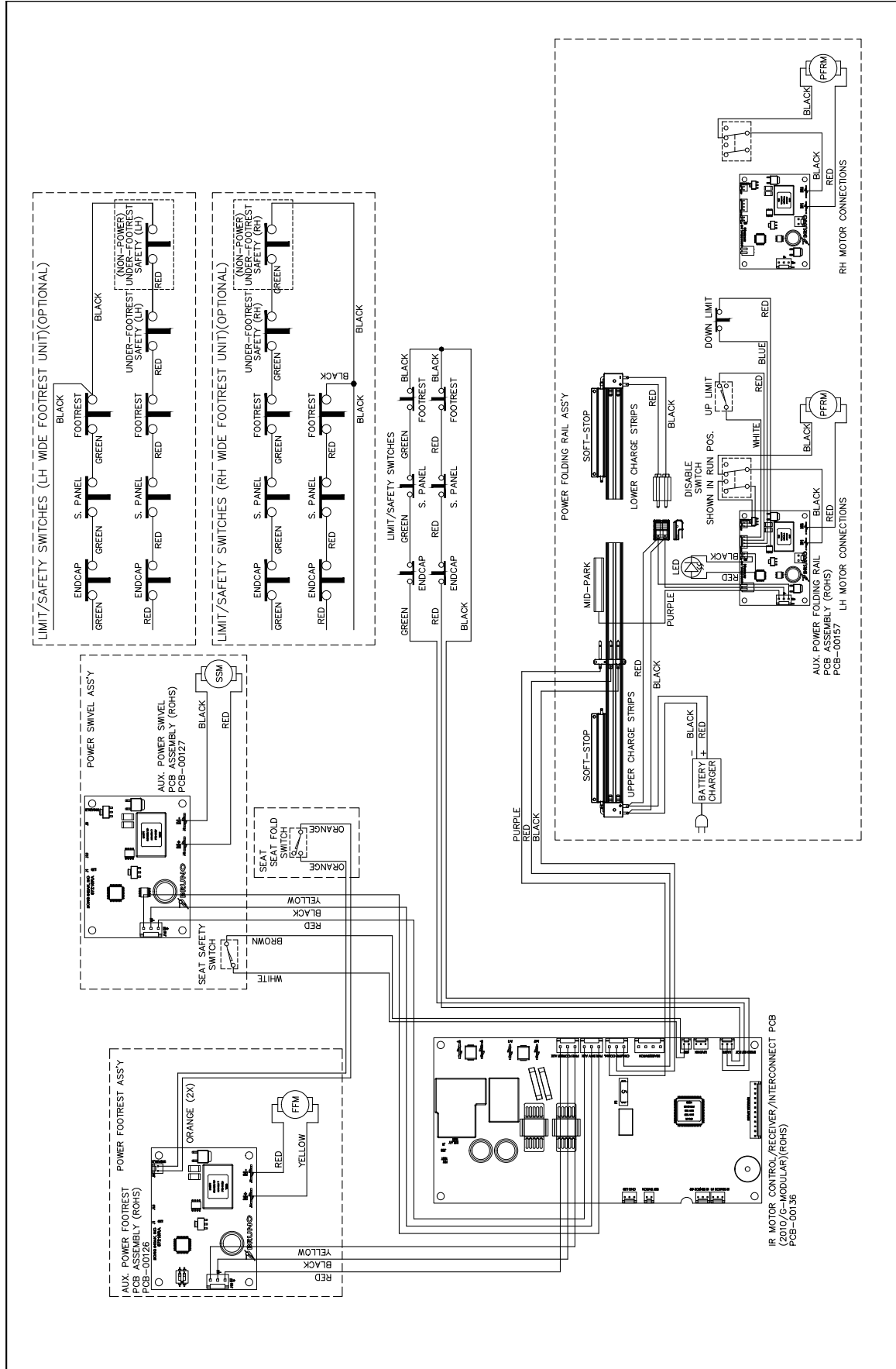
Material: SRE-2010, SRE-2010C

WIRING DIAGRAM

Drawn by: KAS  
 Checked: [Signature]

©Bruno Independent Living Aids, Inc. SHEET 1 OF 2

# WIRING SCHEMATICS / ESQUEMA DE CABLEADO / SCHÉMAS DE CÂBLAGE



**BRUNO**  
*For Your Independence*  
 1780 EXECUTIVE DRIVE  
 OCONOMOWOC, WI 53066  
 (262) 567-4990  
 FAX (262) 953-5504  
 Part must be free of welding scale and slag, sharp edges or corners, and burrs.

Material: **WIRING DIAGRAM-POWER OPTIONS**  
 Part name: **WIRING DIAGRAM-POWER OPTIONS**  
 Material: **WIRING DIAGRAM-POWER OPTIONS**  
 Part name: **WIRING DIAGRAM-POWER OPTIONS**  
 Material: **WIRING DIAGRAM-POWER OPTIONS**  
 Part name: **WIRING DIAGRAM-POWER OPTIONS**

Scale: 1:1  
 Date: 2-27-18  
 Drawing No.: SCH-00230  
 Rev: 0

Material: SRE-2010, SRE-2010C  
 Part name: SRE-2010, SRE-2010C  
 Material: SRE-2010, SRE-2010C  
 Part name: SRE-2010, SRE-2010C

©Bruno Independent Living Aids, Inc.

SHEET 2 OF 2

Rev.	Qty.	Date	By

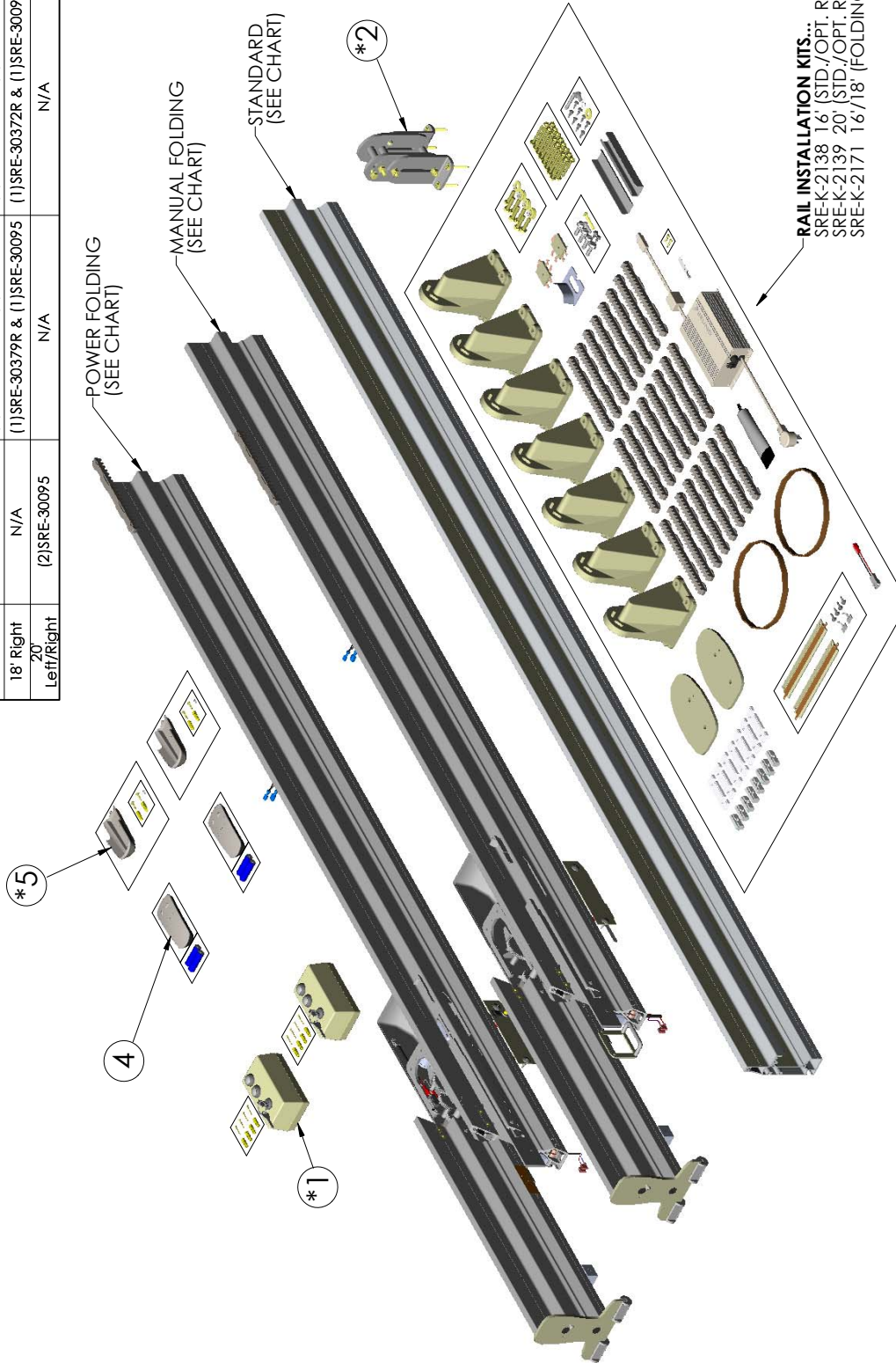
This material is the property of Bruno Independent Living Aids, Inc. No rights are granted to use such material for any purpose other than (1) product evaluation or maintenance, or (2) the furnishing of services to Bruno Independent Living Aids, Inc.

# 'ELITE' STRAIGHT RAIL STAIRLIFT

ITEM NO.	QTY.	PART NO.	DESCRIPTION
*1	2	SRE-00963A	IR TRANSMITTER/BRACKET/HDW (KEYED)(ROHS)
*2	1	SRE-30150	ADJUSTABLE STAND FOOT ASSEMBLY
4	2	TMR-00004	IR TRANSMITTER ASSEMBLY W/ 2 'AA' BATTERIES
*5	2	TMR-00005	IR TRANSMITTER WALL MOUNT BRACKET W/ HARDWARE

\*OPTIONAL

RAIL MATRIX	Standard(Anodized)	Folding(Anodized)	Power Folding(Anodized)
16' Left/Right	(2)SRE-30094	N/A	N/A
16' Left	N/A	(1)SRE-30379L & (1)SRE-30094	(1)SRE-30372L & (1)SRE-30094
16' Right	N/A	(1)SRE-30379R & (1)SRE-30094	(1)SRE-30372R & (1)SRE-30094
18' Left	N/A	(1)SRE-30379L & (1)SRE-30095	(1)SRE-30372L & (1)SRE-30095
18' Right	N/A	(1)SRE-30379R & (1)SRE-30095	(1)SRE-30372R & (1)SRE-30095
20' Left/Right	(2)SRE-30095	N/A	N/A

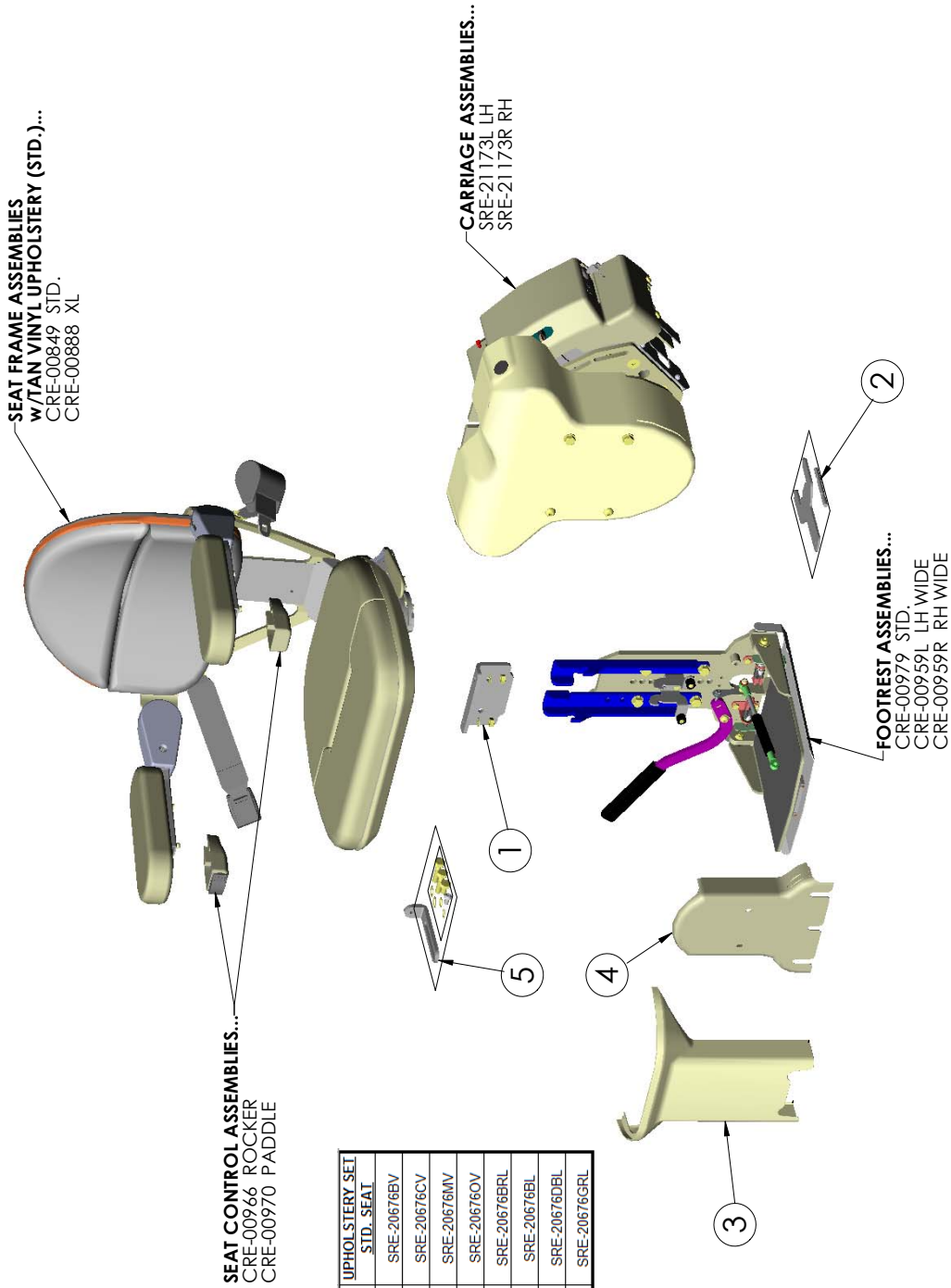


**SRE-2010 Rail, Charger, & Call-Sends**  
**SHEET 1 OF 5**  
**REV. 32 (6395)(9/11/17)(RJH)**



# 'ELITE' STD. - NO POWER

ITEM NO.	QTY.	PART NO.	DESCRIPTION
1	1	CRE-00895	SEAT MOUNTING BRACKET ASSEMBLY
2	1	CRE-K-2112	FOOTREST CYLINDER INSTALLATION KIT
3	1	SRE-20549	FRONT SEAT POST COVER
4	1	SRE-20402	FOOT REST COVER
5	1	SRE-K-2063	SEAT INSTALLATION KIT



SEAT CONTROL ASSEMBLIES...  
 CRE-00966 ROCKER  
 CRE-00970 PADDLE

SEAT FRAME ASSEMBLIES  
 W/TAN VINYL UPHOLSTERY (STD.)...  
 CRE-00849 STD.  
 CRE-00888 XL

CARRIAGE ASSEMBLIES...  
 SRE-21173L LH  
 SRE-21173R RH

FOOTREST ASSEMBLIES...  
 CRE-00979 STD.  
 CRE-00959L LH WIDE  
 CRE-00959R RH WIDE

ADDITIONAL SEAT COLORS/MATL	UPHOLSTERY SET STD. SEAT
LIGHT BROWN VINYL	SRE-20676BV
CHARCOAL VINYL	SRE-20676CV
MAROON VINYL	SRE-20676MV
OLIVE VINYL	SRE-20676OV
BROWN ULTRALEATHER	SRE-20676BRL
BURGUNDY ULTRALEATHER	SRE-20676BL
DARK BROWN ULTRALEATHER	SRE-20676DBL
GREY ULTRALEATHER	SRE-20676GRL

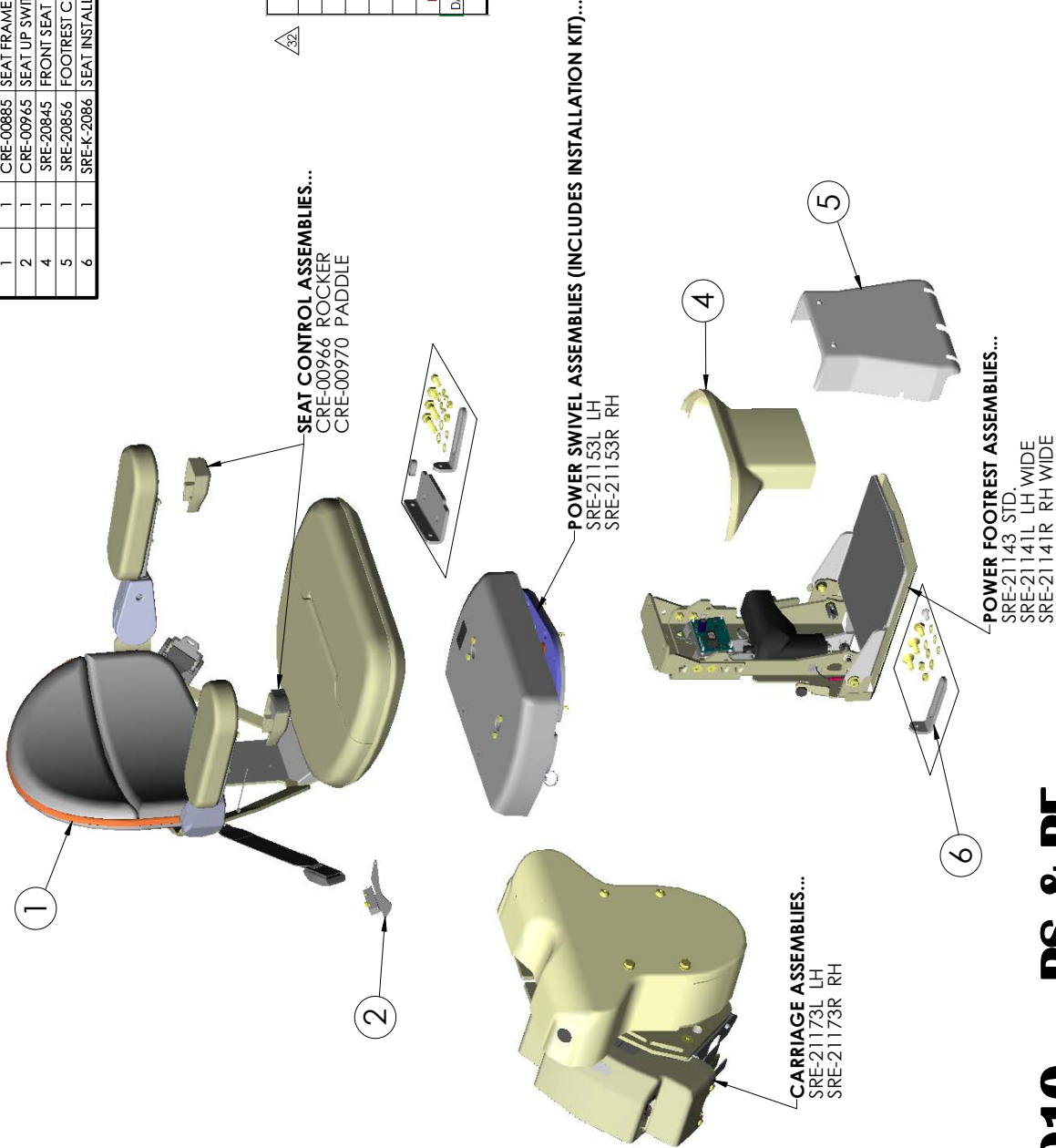
32

**SRE-2010 No Power**  
**SHEET 2 OF 5**  
**REV. 32 (6395)(9/11/17)(RJH)**

# 'ELITE' POWER SWIVEL & POWER FOOTREST

ITEM NO.	QTY.	PART NO.	DESCRIPTION
1	1	CRE-00885	SEAT FRAME ASSEMBLY w/TAN VINYL UPH - PWR SWIVL
2	1	CRE-00965	SEAT UP SWITCH ASSEMBLY-POWER SWIVEL & FOOTREST
4	1	SRE-20845	FRONT SEAT POST COVER (POWER FOOTREST)
5	1	SRE-20856	FOOTREST COVER ASSY (POWER FOOTREST)
6	1	SRE-K-2086	SEAT INSTALLATION KIT (POWER FOOTREST)

ADDITIONAL SEAT COLORS/MATL	UPHOLSTERY SET STD. SEAT
LIGHT BROWN VINYL	SRE-20676BV
CHARCOAL VINYL	SRE-20676CV
MAROON VINYL	SRE-20676MV
OLIVE VINYL	SRE-20676OV
BROWN ULTRALEATHER	SRE-20676BRL
BURGUNDY ULTRALEATHER	SRE-20676BL
DARK BROWN ULTRALEATHER	SRE-20676DBL
GREY ULTRALEATHER	SRE-20676GRL

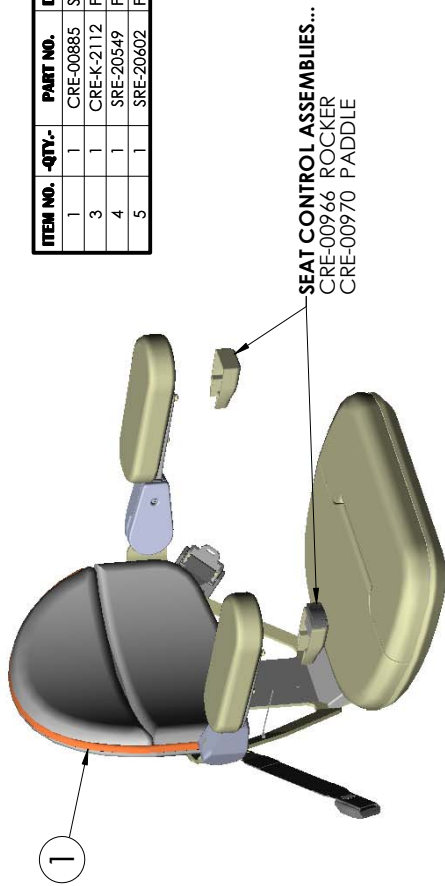


**SRE-2010 PS & PF**  
**SHEET 3 OF 5**  
**REV. 32 (6395)(9/11/17)(RJH)**



# 'ELITE' POWER SWIVEL

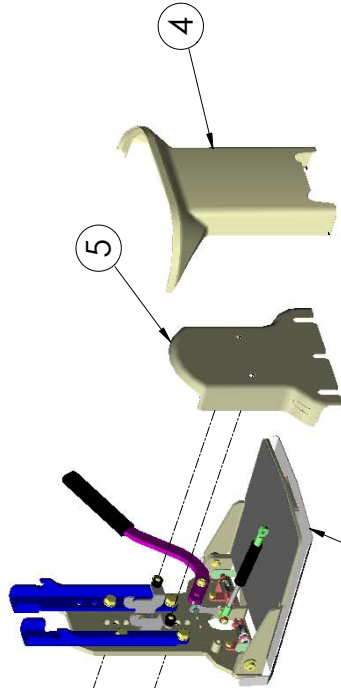
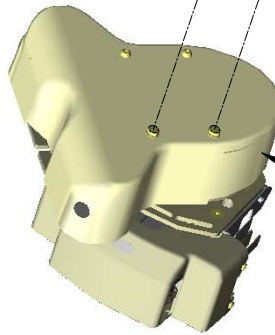
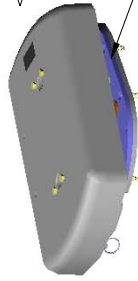
ITEM NO.	QTY.	PART NO.	DESCRIPTION
1	1	CRE-00885	SEAT FRAME ASSEMBLY w/TAN VINYL UPH - PWR SWVL
3	1	CRE-K-2112	FOOTREST CYLINDER INSTALLATION KIT
4	1	SRE-20549	FRONT SEAT POST COVER
5	1	SRE-20602	FOOT REST COVER



ADDITIONAL SEAT COLORS/MATL	UPHOLSTERY SET STD. SEAT
LIGHT BROWN VINYL	SRE-20676BV
CHARCOAL VINYL	SRE-20676CV
MAROON VINYL	SRE-20676MV
OLIVE VINYL	SRE-20676OV
BROWN ULTRALEATHER	SRE-20676BRL
BURGUNDY ULTRALEATHER	SRE-20676BL
DARK BROWN ULTRALEATHER	SRE-20676DBL
GREY ULTRALEATHER	SRE-20676GRL



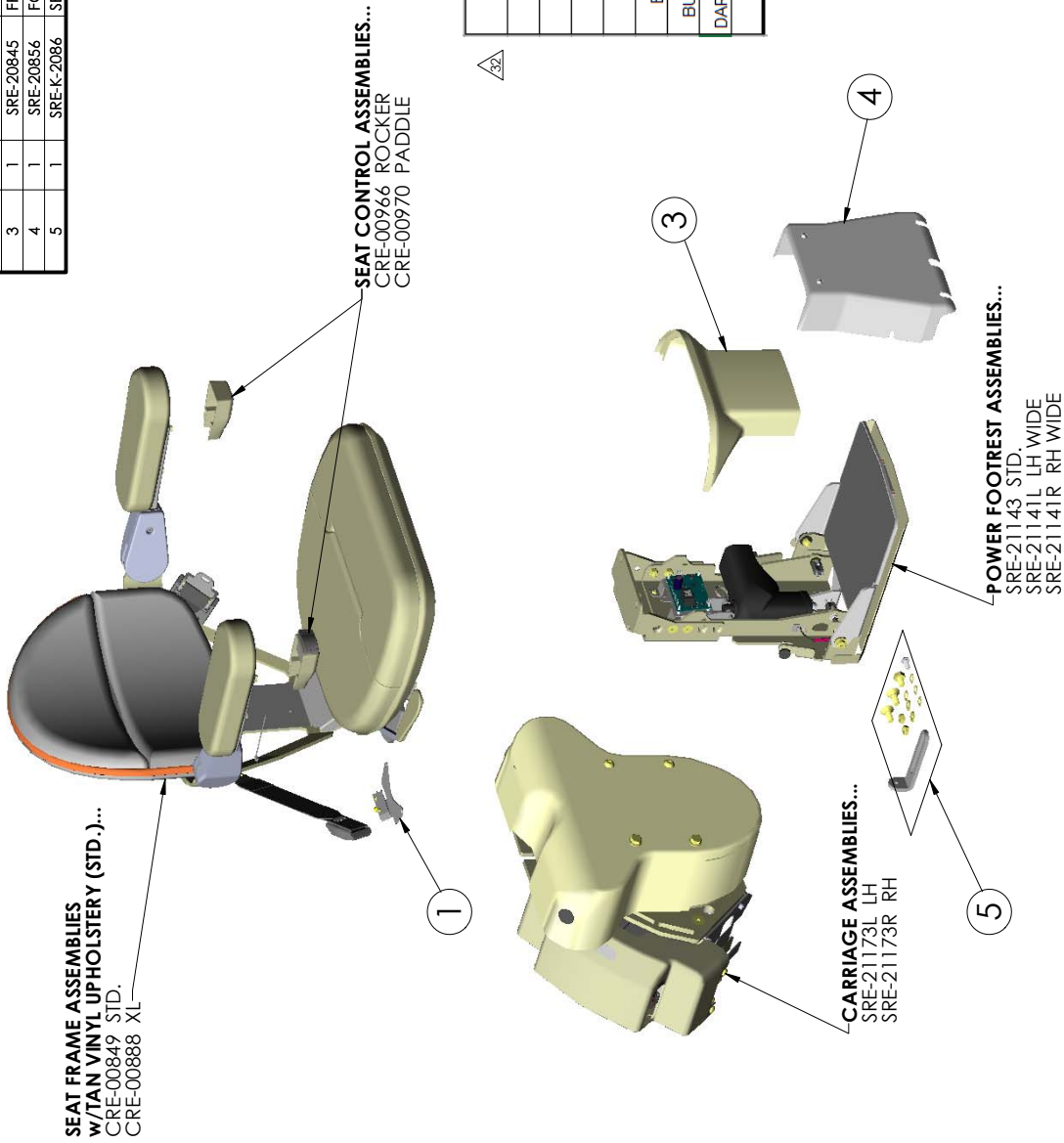
**POWER SWIVEL ASSEMBLIES (INCLUDES INSTALLATION KIT)...**  
 SRE-21153L LH  
 SRE-21153R RH



**SRE-2010 PS Only**  
**SHEET 4 OF 5**  
**REV. 32 (6395)(9/11/17)(RJH)**

# 'ELITE' POWER FOOTREST

ITEM NO.	QTY.	PART NO.	DESCRIPTION
1	1	CRE-00965	SEAT UP SWITCH ASSEMBLY-POWER SWIVEL & FOOTREST
3	1	SRE-20845	FRONT SEAT POST COVER (POWER FOOTREST)
4	1	SRE-20856	FOOTREST COVER ASSY (POWER FOOTREST)
5	1	SRE-K-2086	SEAT INSTALLATION KIT (POWER FOOTREST)



ADDITIONAL SEAT COLORS/MATL	UPHOLSTERY SET STD. SEAT
LIGHT BROWN VINYL	SRE-20676BV
CHARCOAL VINYL	SRE-20676CV
MAROON VINYL	SRE-20676MV
OLIVE VINYL	SRE-20676OV
BROWN ULTRALEATHER	SRE-20676BRL
BURGUNDY ULTRALEATHER	SRE-20676BL
DARK BROWN ULTRALEATHER	SRE-20676DBL
GREY ULTRALEATHER	SRE-20676GRL

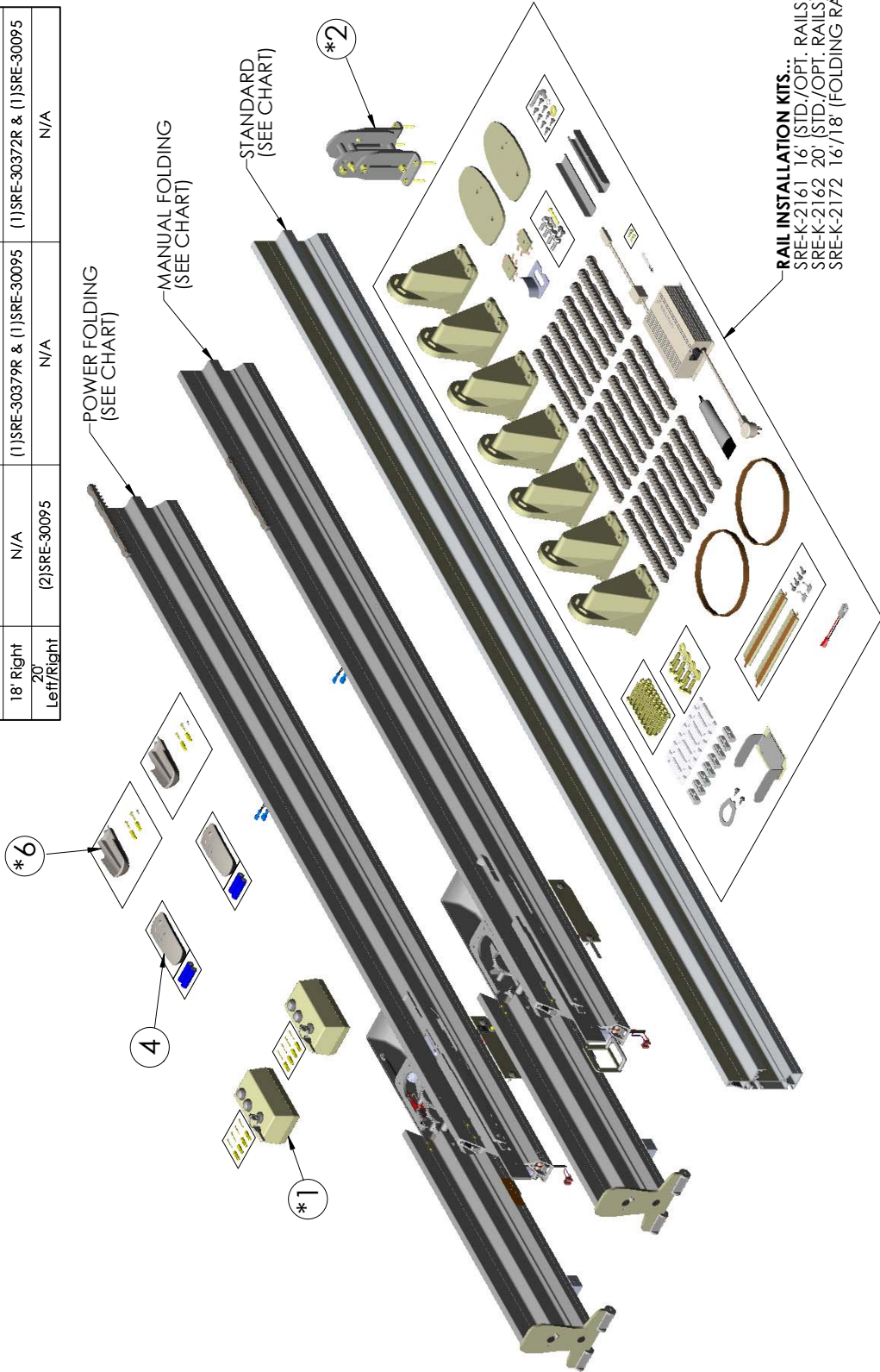
**SRE-2010 PF Only**  
**SHEET 5 OF 5**  
**REV. 32 (6395)(9/11/17)(RJH)**

**COMMERCIAL 'ELITE'**

ITEM NO.	QTY.	PART NO.	DESCRIPTION
*1	2	SRE-00963A	IR TRANSMITTER/BRACKET/HDWR (KEYED)(ROHS)
*2	1	SRE-30150	ADJUSTABLE STAND FOOT ASSEMBLY
4	2	TMR-00004	IR TRANSMITTER ASSEMBLY W/ 2 'AA' BATTERIES
*6	2	TMR-00005	IR TRANSMITTER WALL MOUNT BRACKET W/ HARDWARE

\*OPTIONAL

RAIL MATRIX	Standard(Anodized)	Folding(Anodized)	Power Folding(Anodized)
16' Left/Right	(2)SRE-30094	N/A	N/A
16' Left	N/A	(1)SRE-30379L & (1)SRE-30094	(1)SRE-30372L & (1)SRE-30094
16' Right	N/A	(1)SRE-30379R & (1)SRE-30094	(1)SRE-30372R & (1)SRE-30094
18' Left	N/A	(1)SRE-30379L & (1)SRE-30095	(1)SRE-30372L & (1)SRE-30095
18' Right	N/A	(1)SRE-30379R & (1)SRE-30095	(1)SRE-30372R & (1)SRE-30095
20' Left/Right	(2)SRE-30095	N/A	N/A



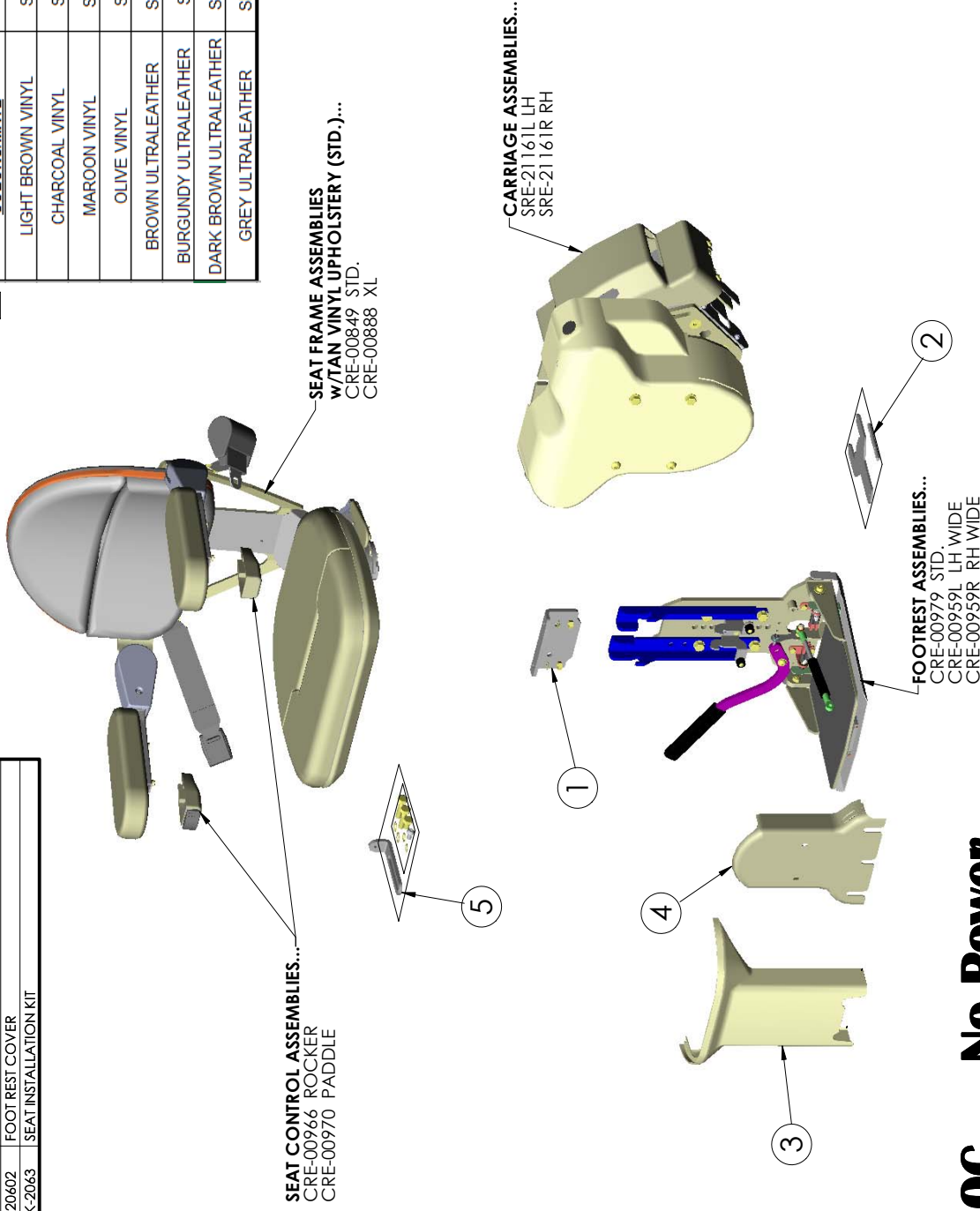
**SRE-2010C Rail, Charger, & Call-Sends**

**SHEET 1 OF 5**  
**REV. 30 (6395)(9/11/17)(RJH)**

# COMMERCIAL 'ELITE' STD. - NO POWER

ITEM NO.	QTY.	PART NO.	DESCRIPTION
1	1	CRE-00895	SEAT MOUNTING BRACKET ASSEMBLY
2	1	CRE-K-2112	FOOIREST CYLINDER INSTALLATION KIT
3	1	SRE-20549	FRONT SEAT POST COVER
4	1	SRE-20602	FOOT REST COVER
5	1	SRE-K-2063	SEAT INSTALLATION KIT

ADDITIONAL SEAT COLORS/MATL	UPHOLSTERY SET STD. SEAT
LIGHT BROWN VINYL	SRE-20676BV
CHARCOAL VINYL	SRE-20676CV
MAROON VINYL	SRE-20676MV
OLIVE VINYL	SRE-20676OV
BROWN ULTRALEATHER	SRE-20676BRL
BURGUNDY ULTRALEATHER	SRE-20676BL
DARK BROWN ULTRALEATHER	SRE-20676DBL
GREY ULTRALEATHER	SRE-20676GRL

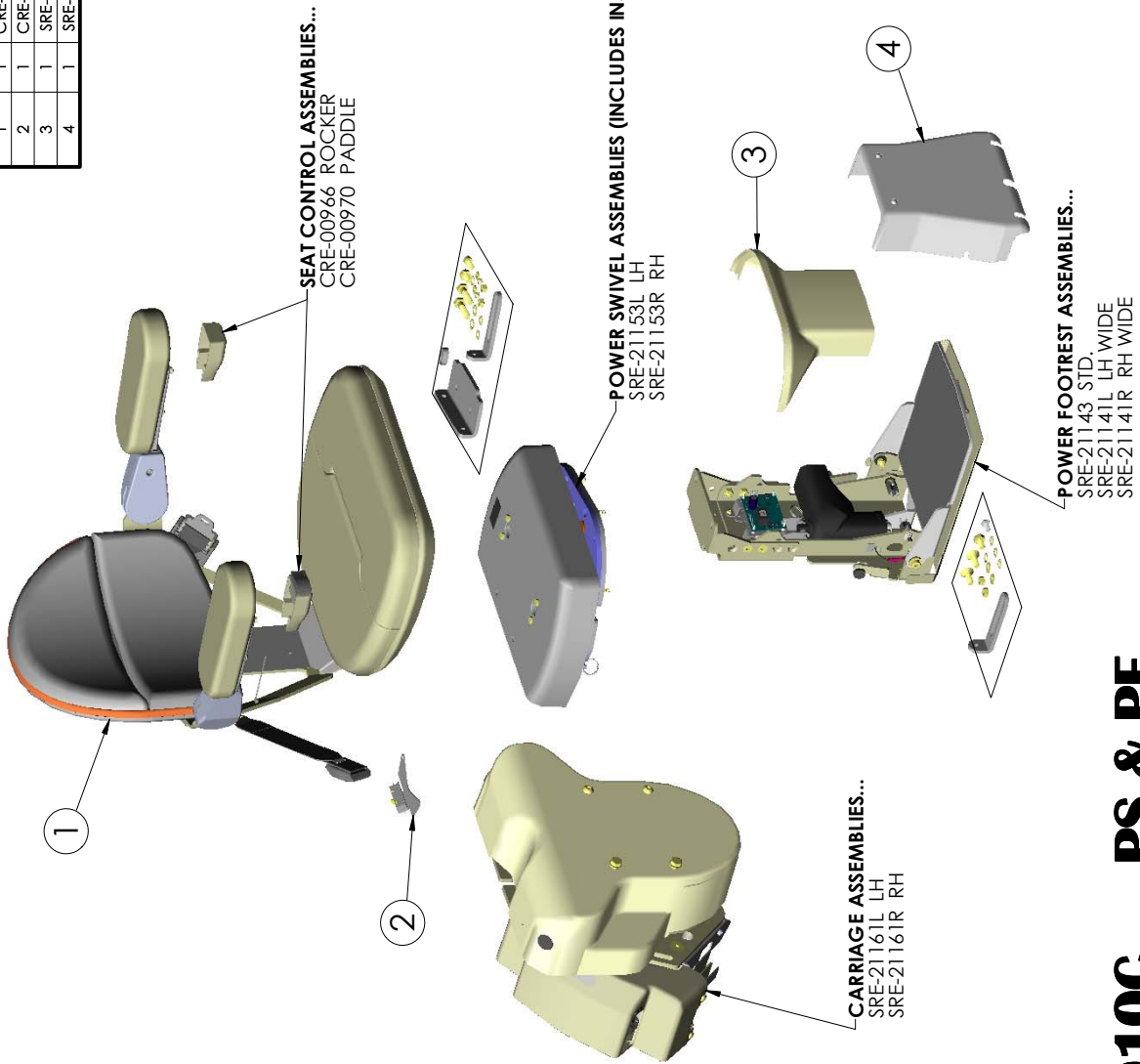


**SRE-2010C No Power**  
**SHEET 2 OF 5**  
**REV. 30 (6395)(9/11/17)(RJH)**

# COMMERCIAL 'ELITE' POWER SWIVEL & POWER FOOTREST

ITEM NO.	QTY.	PART NO.	DESCRIPTION
1	1	CRE-00885	SEAT FRAME ASSEMBLY w/TAN VINYL UPH - PWR SWVL
2	1	CRE-00965	SEAT UP SWITCH ASSEMBLY-POWER SWIVEL & FOOTREST
3	1	SRE-20845	FRONT SEAT POST COVER (POWER FOOTREST)
4	1	SRE-20856	FOOTREST COVER ASSY (POWER FOOTREST)

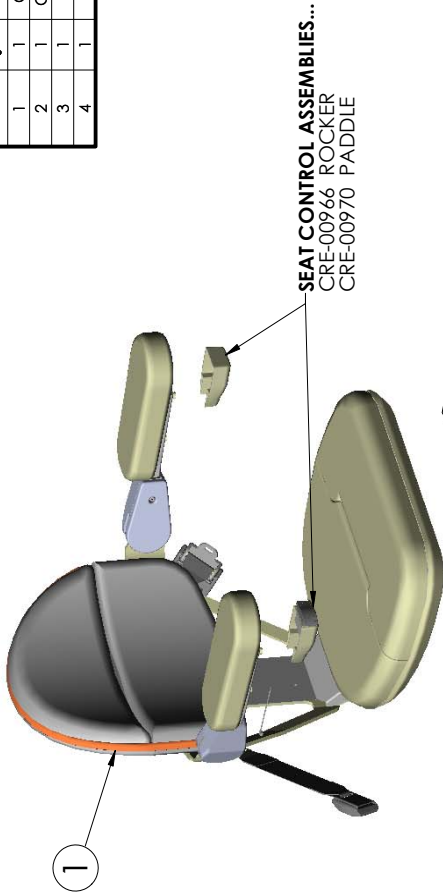
ADDITIONAL SEAT COLORS/MATL	UPHOLSTERY SET STD. SEAT
LIGHT BROWN VINYL	SRE-20676BV
CHARCOAL VINYL	SRE-20676CV
MAROON VINYL	SRE-20676MV
OLIVE VINYL	SRE-20676OV
BROWN ULTRALEATHER	SRE-20676BRL
BURGUNDY ULTRALEATHER	SRE-20676BL
DARK BROWN ULTRALEATHER	SRE-20676DBL
GREY ULTRALEATHER	SRE-20676GRL



**SRE-2010C PS & PF**  
**SHEET 3 OF 5**  
**REV. 30 (6395)(9/11/17)(RJH)**

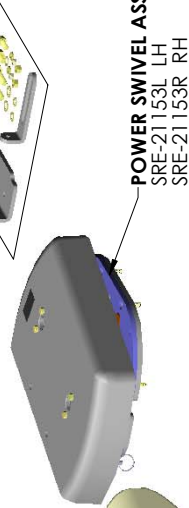
# COMMERCIAL 'ELITE' POWER SWIVEL

ITEM NO.	QTY.	PART NO.	DESCRIPTION
1	1	CRE-00885	SEAT FRAME ASSEMBLY w/TAN VINYL UPH. - PWR SWVL
2	1	CRE-K-2112	FOOTREST CYLINDER INSTALLATION KIT
3	1	SRE-20549	FRONT SEAT POST COVER
4	1	SRE-20602	FOOT REST COVER

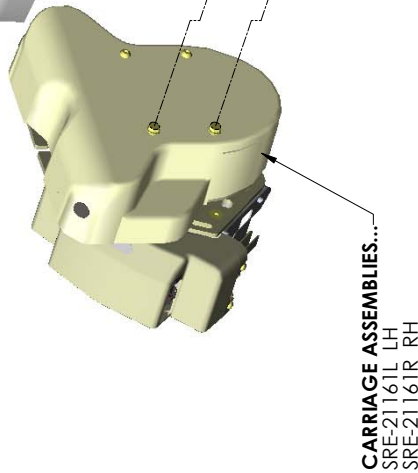


SEAT CONTROL ASSEMBLIES...  
CRE-00966 ROCKER  
CRE-00970 PADDLE

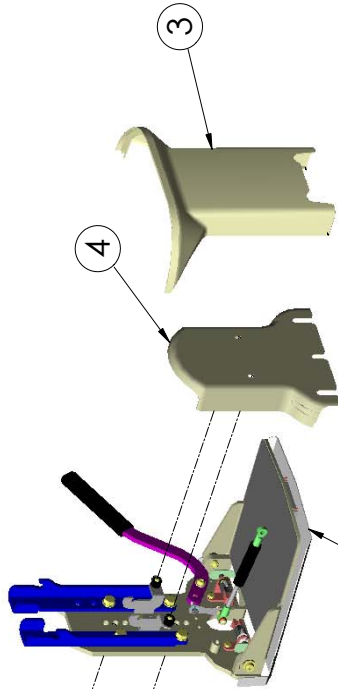
ADDITIONAL SEAT COLORS/MATL	UPHOLSTERY SET STD. SEAT
LIGHT BROWN VINYL	SRE-20676BV
CHARCOAL VINYL	SRE-20676CV
MAROON VINYL	SRE-20676MV
OLIVE VINYL	SRE-20676OV
BROWN ULTRALEATHER	SRE-20676BRL
BURGUNDY ULTRALEATHER	SRE-20676BL
DARK BROWN ULTRALEATHER	SRE-20676DBL
GREY ULTRALEATHER	SRE-20676GRL



POWER SWIVEL ASSEMBLIES (INCLUDES INSTALLATION KIT)...  
SRE-21153L LH  
SRE-21153R RH



CARRIAGE ASSEMBLIES...  
SRE-21161L LH  
SRE-21161R RH



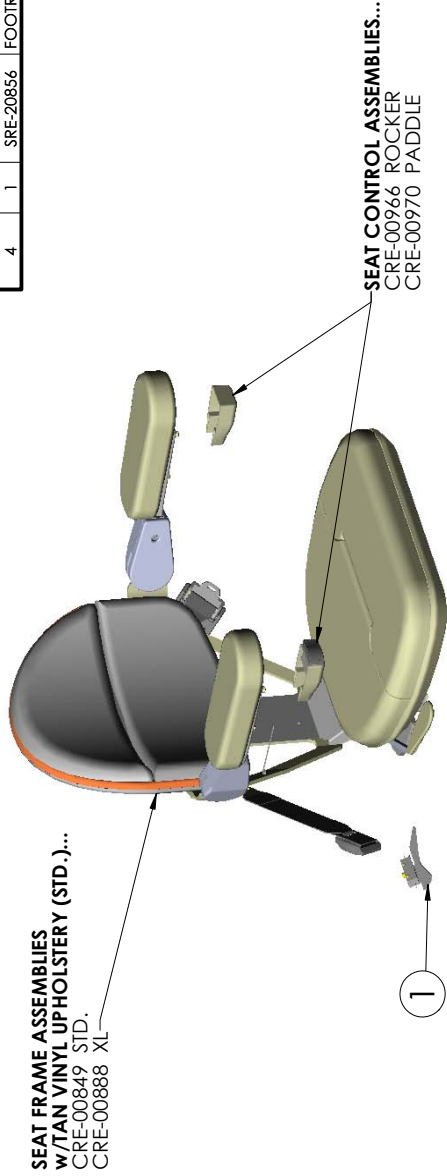
FOOTREST ASSEMBLIES...  
CRE-00979 STD.  
CRE-00959L LH WIDE  
CRE-00959R RH WIDE

**SRE-2010C PS Only**  
**SHEET 4 OF 5**  
**REV. 30 (6395)(9/11/17)(RJH)**

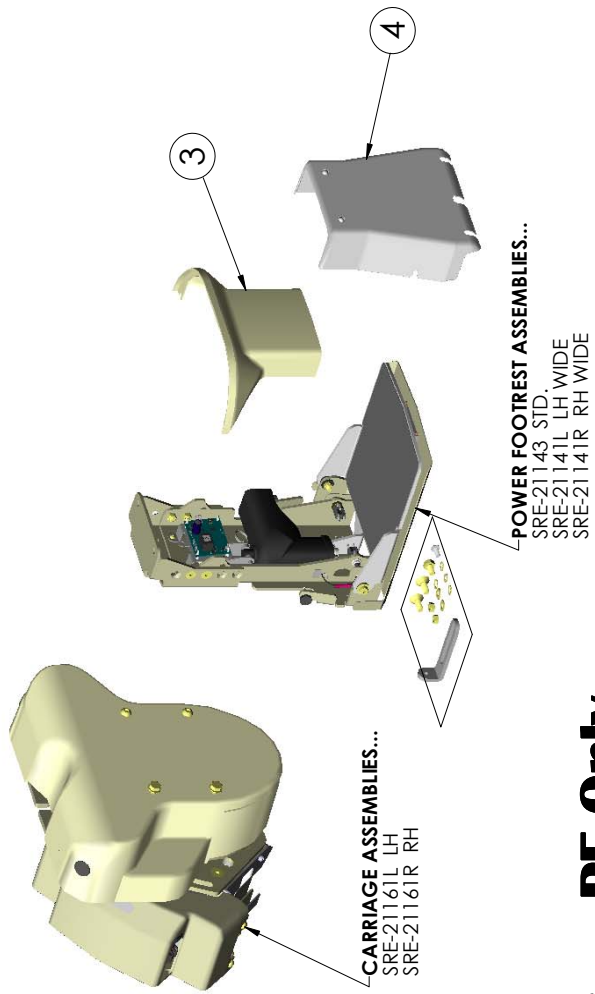


# COMMERCIAL 'ELITE' POWER FOOTREST

ITEM NO.	QTY.	PART NO.	DESCRIPTION
1	1	CRE-00945	SEAT UP SWITCH ASSEMBLY-POWER SWIVEL & FOOTREST
3	1	SRE-20845	FRONT SEAT POST COVER (POWER FOOTREST)
4	1	SRE-20856	FOOTREST COVER ASSY (POWER FOOTREST)



ADDITIONAL SEAT COLORS/OPTIONS	UPHOLSTERY SET STD. SEAT
LIGHT BROWN VINYL	SRE-20676BV
CHARCOAL VINYL	SRE-20676CV
MAROON VINYL	SRE-20676MV
OLIVE VINYL	SRE-20676OV
BROWN ULTRALEATHER	SRE-20676BRL
BURGUNDY ULTRALEATHER	SRE-20676BL
DARK BROWN ULTRALEATHER	SRE-20676DBL
GREY ULTRALEATHER	SRE-20676GRL



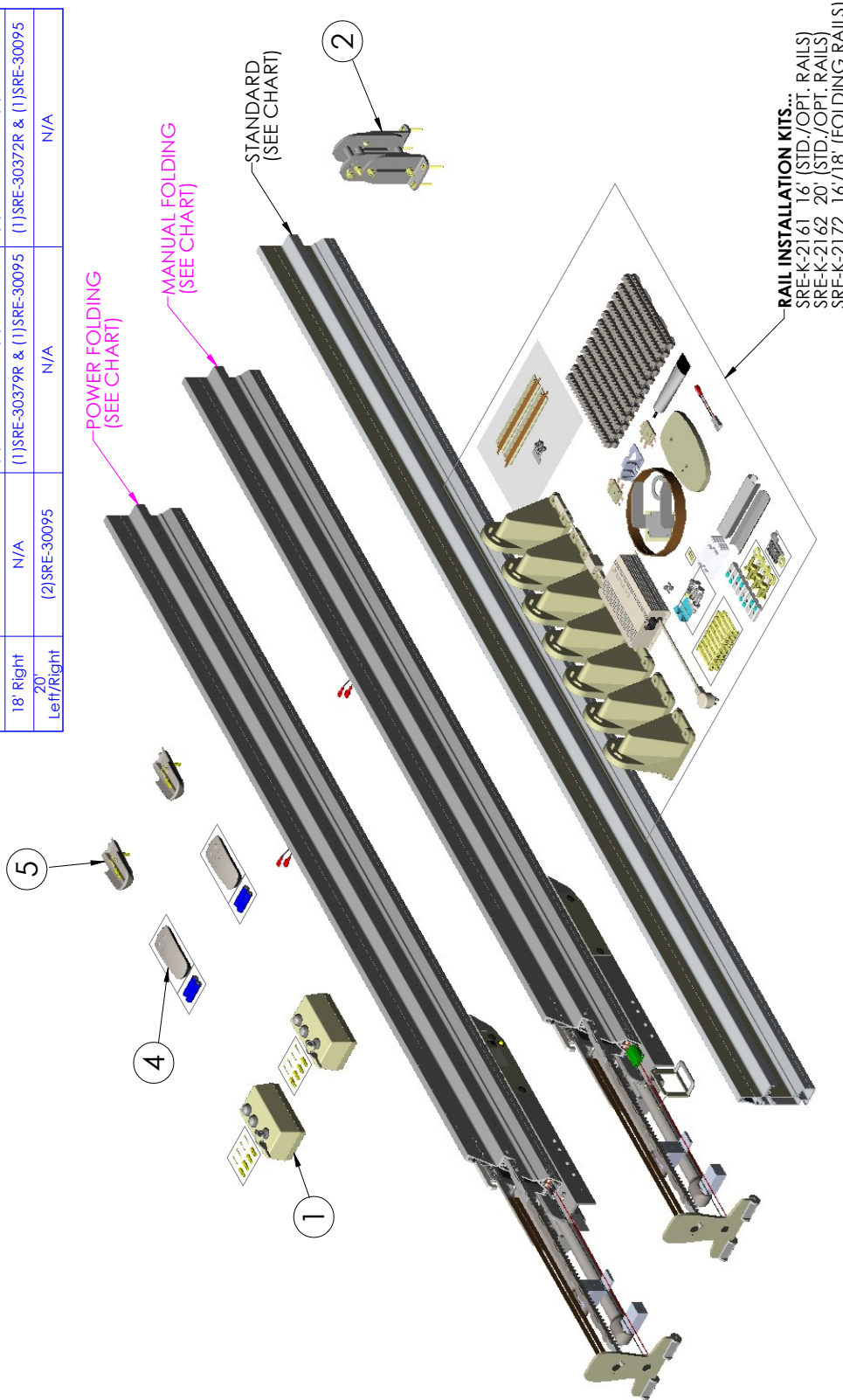
**SRE-2010C PF Only**  
**SHEET 5 OF 5**  
**REV. 30 (6395)(9/11/17)(RJH)**

# 'ELITE' STRAIGHT RAIL STAIRLIFT (OS)

ITEM NO.	QTY.	PART NO.	DESCRIPTION
*	1	SRE-00963A	IR TRANSMITTER/BACKET/HDWR (KEYED)(ROHS)
*	2	SRE-30150	ADJUSTABLE STAND FOOT ASSEMBLY
*	4	TMR-00004	IR TRANSMITTER ASSEMBLY W/ 2 'AA' BATTERIES
*	5	TMR-00005	IR TRANSMITTER WALL MOUNT BRACKET W/ HARDWARE

\*OPTIONAL

RAIL MATRIX	Standard(Anodized)	Folding(Anodized)	Power Folding(Anodized)
16' Left/Right	(2)SRE-30094	N/A	N/A
16' Left	N/A	(1)SRE-30379L & (1)SRE-30094	(1)SRE-30372L & (1)SRE-30094
16' Right	N/A	(1)SRE-30379R & (1)SRE-30094	(1)SRE-30372R & (1)SRE-30094
18' Left	N/A	(1)SRE-30379L & (1)SRE-30095	(1)SRE-30372L & (1)SRE-30095
18' Right	N/A	(1)SRE-30379R & (1)SRE-30095	(1)SRE-30372R & (1)SRE-30095
20' Left/Right	(2)SRE-30095	N/A	N/A



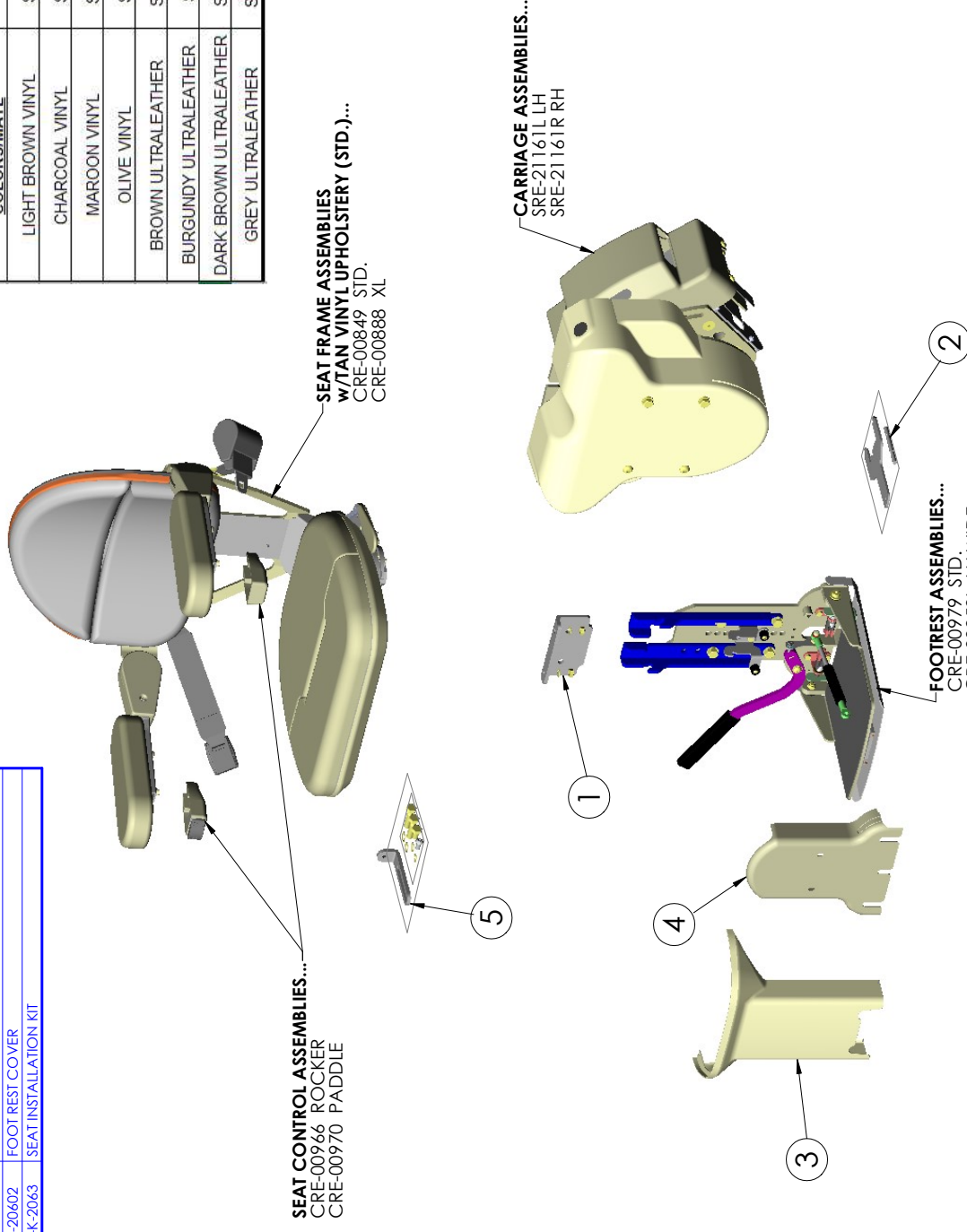
## SRE-2010 OS Rail, Charger, & Call-Sends

SHEET 1 OF 5  
REV. 0 (ISSUED)(1/11/19)(KAS)

# 'ELITE' STRAIGHT RAIL STAIRLIFT (OS) - NO POWER

ITEM NO.	QTY.	PART NO.	DESCRIPTION
1	1	CRE-00895	SEAT MOUNTING BRACKET ASSEMBLY
2	1	CRE-K-2112	FOOTREST CYLINDER INSTALLATION KIT
3	1	SRE-20549	FRONT SEAT POST COVER
4	1	SRE-20602	FOOT REST COVER
5	1	SRE-K-2063	SEAT INSTALLATION KIT

ADDITIONAL SEAT COLORS/MATL	UPHOLSTERY SET STD. SEAT
LIGHT BROWN VINYL	SRE-20676BV
CHARCOAL VINYL	SRE-20676CV
MAROON VINYL	SRE-20676MV
OLIVE VINYL	SRE-20676OV
BROWN ULTRALEATHER	SRE-20676BRL
BURGUNDY ULTRALEATHER	SRE-20676BL
DARK BROWN ULTRALEATHER	SRE-20676DBL
GREY ULTRALEATHER	SRE-20676GRL



**SEAT CONTROL ASSEMBLIES...**  
 CRE-00966 ROCKER  
 CRE-00970 PADDLE

**SEAT FRAME ASSEMBLIES  
 W/TAN VINYL UPHOLSTERY (STD.)...**  
 CRE-00849 STD.  
 CRE-00888 XL

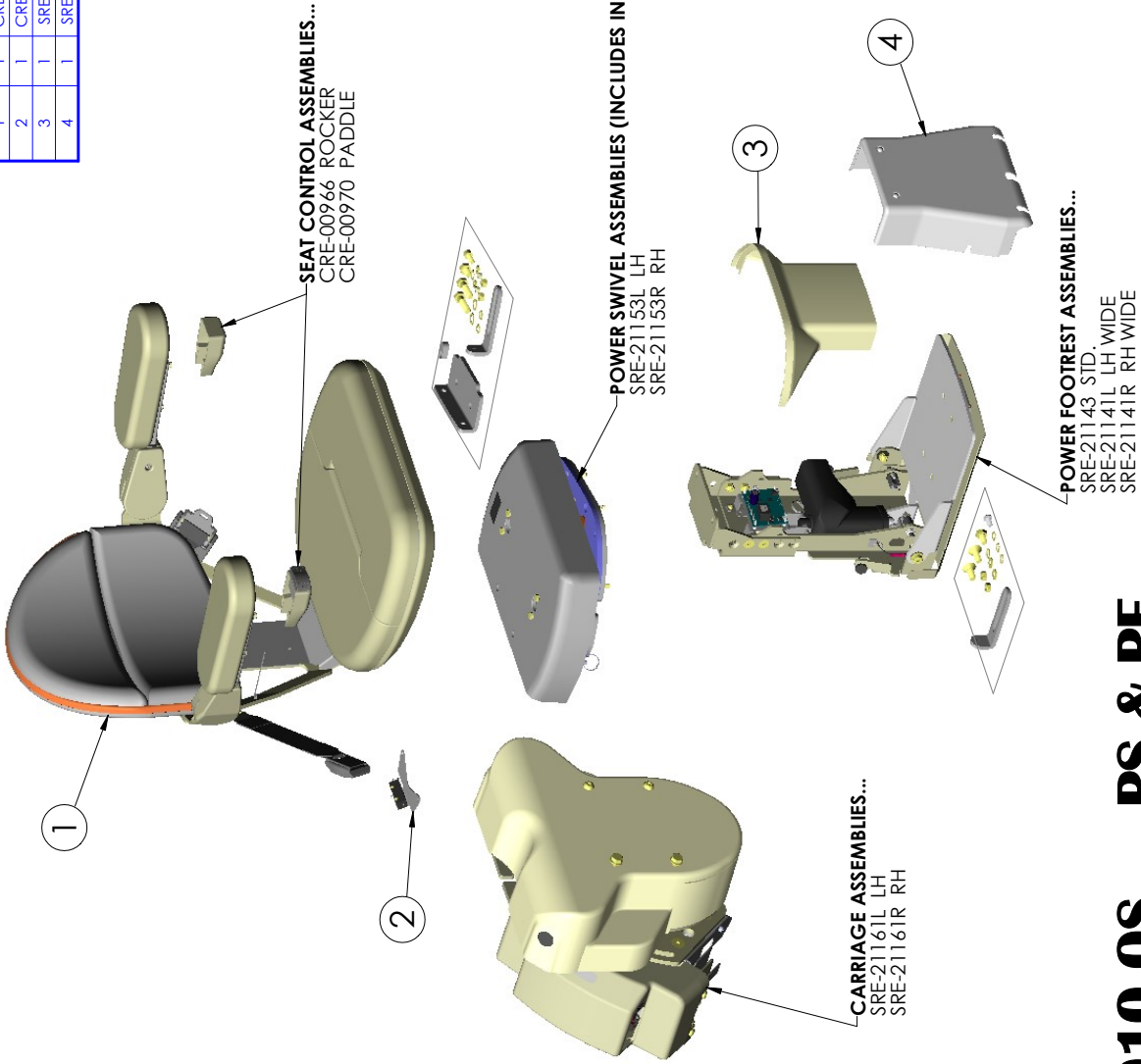
**CARRIAGE ASSEMBLIES...**  
 SRE-21161L LH  
 SRE-21161R RH

**FOOTREST ASSEMBLIES...**  
 CRE-00979 STD.  
 CRE-00959L LH WIDE  
 CRE-00959R RH WIDE

**SRE-2010 OS No Power**  
**SHEET 2 OF 5**  
**REV. 0 (ISSUED)(1/11/19)(KAS)**

'ELITE' STRAIGHT RAIL STAIRLIFT (OS) POWER SWIVEL & POWER FOOTREST

ITEM NO.	QTY.	PART NO.	DESCRIPTION
1	1	CRE-00885	SEAT FRAME ASSEMBLY w/TAN VINYL UPH - PWR SWVL
2	1	CRE-00965	SEAT UP SWITCH ASSEMBLY-POWER SWIVEL & FOOTREST
3	1	SRE-20845	FRONT SEAT POST COVER (POWER FOOTREST)
4	1	SRE-20856	FOOTREST COVER ASSY (POWER FOOTREST)

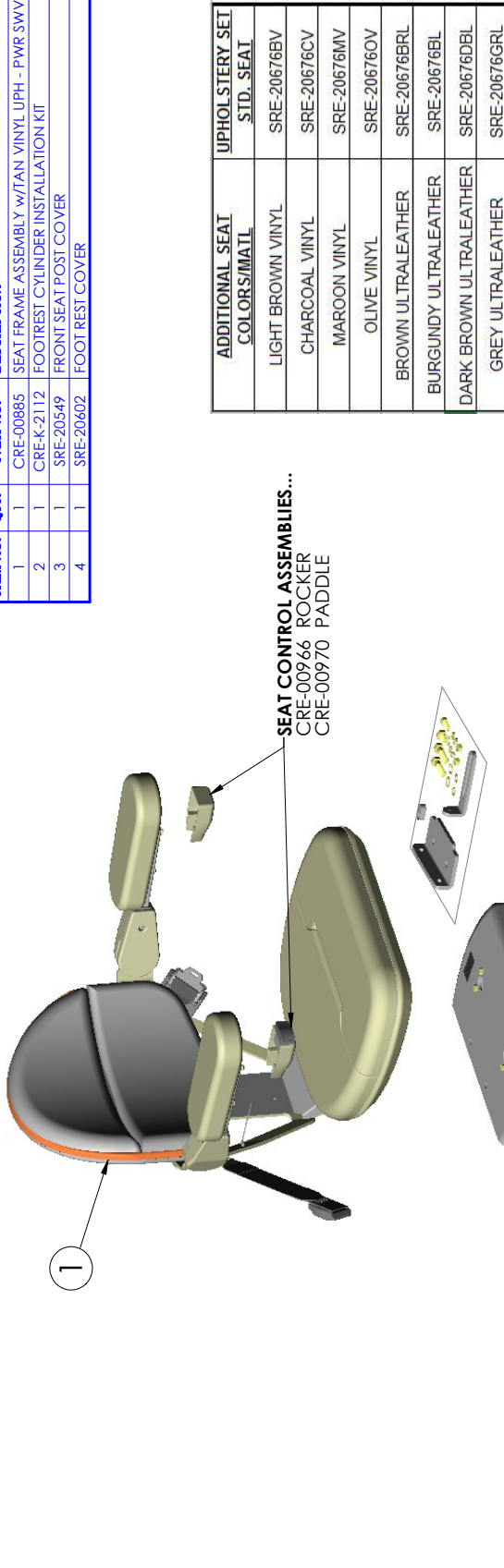


ADDITIONAL SEAT COLORS/MATL	UPHOLSTERY SET STD. SEAT
LIGHT BROWN VINYL	SRE-20676BV
CHARCOAL VINYL	SRE-20676CV
MAROON VINYL	SRE-20676MV
OLIVE VINYL	SRE-20676OV
BROWN ULTRALEATHER	SRE-20676BRL
BURGUNDY ULTRALEATHER	SRE-20676BL
DARK BROWN ULTRALEATHER	SRE-20676DBL
GREY ULTRALEATHER	SRE-20676GRL

**SRE-2010 OS PS & PF**  
**SHEET 3 OF 5**  
**REV. 0 (ISSUED)(1/11/19)(KAS)**

# 'ELITE' STRAIGHT RAIL STAIRLIFT (OS) POWER SWIVEL

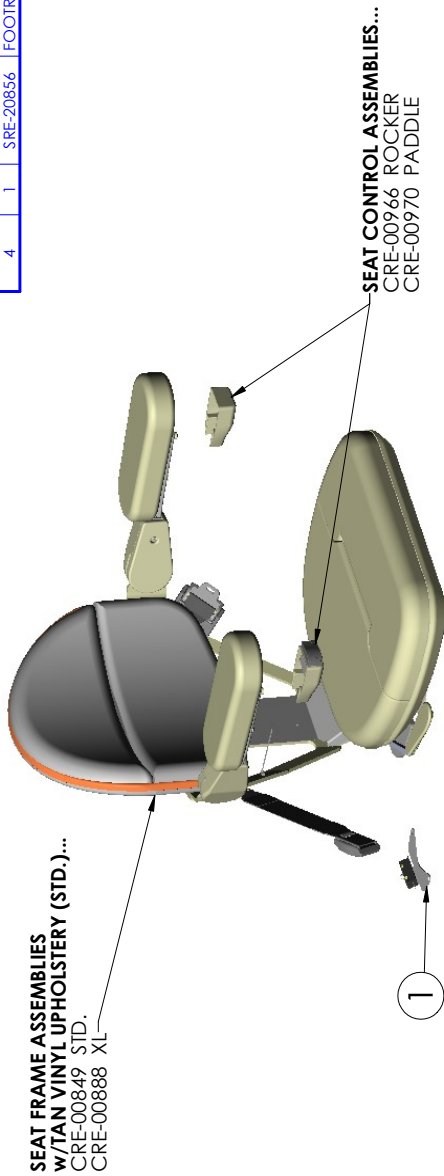
ITEM NO.	QTY.	PART NO.	DESCRIPTION
1	1	CRE-00885	SEAT FRAME ASSEMBLY w/TAN VINYL UPH - PWR SWVL
2	1	CRE-K-2112	FOOTREST CYLINDER INSTALLATION KIT
3	1	SRE-20549	FRONT SEAT POST COVER
4	1	SRE-20602	FOOT REST COVER



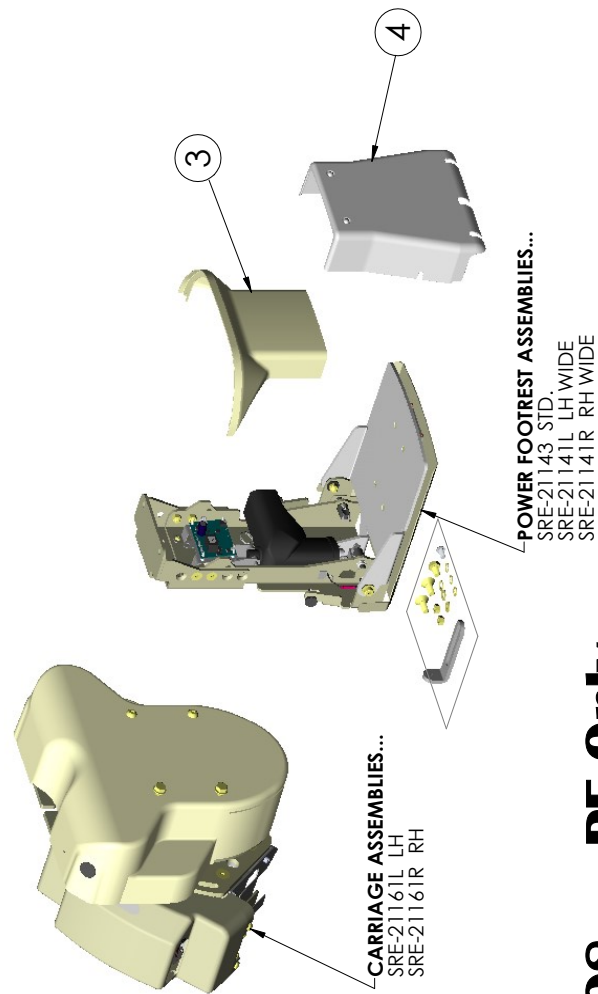
**SRE-2010 OS PS Only**  
**SHEET 4 OF 5**  
**REV. 0 (ISSUED)(1/11/19)(KAS)**

# 'ELITE' STRAIGHT RAIL STAIRLIFT (OS) POWER FOOTREST

ITEM NO.	QTY.	PART NO.	DESCRIPTION
1	1	CRE-00965	SEAT UP SWITCH ASSEMBLY-POWER SWIVEL & FOOTREST
3	1	SRE-20845	FRONT SEAT POST COVER (POWER FOOTREST)
4	1	SRE-20856	FOOTREST COVER ASSY. (POWER FOOTREST)



ADDITIONAL SEAT COLORS/MATERIAL	UPHOLSTERY SET STD. SEAT
LIGHT BROWN VINYL	SRE-20676BV
CHARCOAL VINYL	SRE-20676CV
MAROON VINYL	SRE-20676MV
OLIVE VINYL	SRE-20676OV
BROWN ULTRALEATHER	SRE-20676BRL
BURGUNDY ULTRALEATHER	SRE-20676BL
DARK BROWN ULTRALEATHER	SRE-20676DBL
GREY ULTRALEATHER	SRE-20676GRL



**SRE-2010 OS PF Only**  
**SHEET 5 OF 5**  
**REV. 0 (ISSUED)(1/11/19)(KAS)**



---

# Innovative solutions

for your indoor and outdoor lifestyle



Indoor Stairlifts



Outdoor Stairlifts



Scooter/Powerchair Lifts



Vertical Platform Lifts



**Bruno Independent Living Aids, Inc.**  
1780 Executive Drive, Oconomowoc, WI 53066  
800-882-8183 • [www.bruno.com](http://www.bruno.com)

© Bruno Independent Living Aids, Inc. 2018

All illustrations and specifications in this brochure are based on the latest product information available at the time of publication.  
Bruno Independent Living Aids, Inc.® reserves the right to make changes at any time without notice. 2018-11-20-Manual-Back-Cover.indd