



Independence Made Easy





Independence Made Easy

Why should you let getting up and down the stairs stop you from having a fully independent lifestyle? With a tailor-made Brooks Stairlift, you can stay in your home, and continue to enjoy your independence.

In 1972, Mr. Frederick Brooks, a former engineer, designed a stairlift for his wife who suffered from rheumatoid arthritis, and subsequently found using the stairs difficult.

This 'original' stairlift attracted much attention due to its design and high standards of engineering, and over forty years later Brooks Stairlifts are still following these high standards set by Frederick Brooks. Combining today's technology with a strong tradition of reliability and comfort, each and every Brooks Stairlift is guaranteed to help you make the most of your home.

Brooks Stairlifts are designed to suit your individual home and lifestyle, and are engineered with a range of features that make them simple to use. Through innovation and investment, Brooks have always delivered products with the customer in mind, aiming to provide the perfect solution for your needs.

BROOKS
STAIRLIFTS

Brooks Stairlifts are designed with simple and effortless operation, ease of use and comfort in mind.



Brooks Stairlifts are installed and serviced by local authorized dealers, who have been highly trained to give you peace of mind.



Attention to detail during installation ensures that your stairlift is fitted precisely to your staircase, and takes up the minimum amount of space.

Professionalism and Care

From the moment your Brooks Stairlift is installed, we want to ensure that you are happy with it and confident in its use.

Your local, authorized Brooks Dealer will first carefully assess your needs and ensure that your chosen stairlift solution is both suitable and affordable.

Brooks Stairlifts are precision manufactured, designed and assembled, conforming to the highest Safety Standards.

After thoroughly checking that everything works just as it should, all the features will be fully explained and demonstrated to you to ensure that you are happy and confident in using the stairlift.

We are sure that you will enjoy peace of mind in knowing that you have been looked after every step of the way.

"From start to finish the service was first class. I no longer have to think about going upstairs, I just do it."

Mrs. White, Columbus, Ohio



All Brooks Stairlifts are designed to fold up giving other people safe access to the staircase when the lift is not in use.



A safety belt is fitted to all Brooks Stairlifts so you feel secure at all times.



Safety sensors on the footrest and carriage stop the lift automatically and very gently should there be any obstruction on your staircase.



Directional paddle switches give you complete control. They can be operated easily should you have limited dexterity.



A lockable swivel seat means you can get on and off your stairlift without twisting your body. Once turned it also provides a stable base and safety barrier at the top of your stairs.



A simple digital display allows you to see the exact status of the stairlift at all times.



Two remote controls are provided so that you have the convenience of being able to call or send the lift up or down the staircase.



A lockable on/off switch provides additional "child-friendly" safety



Slim fold away design has folding arms, seat and footrest so other people in your home can continue to use the staircase as normal.

Features, Benefits and Options

If you have problems with your knees, or would prefer to stand rather than sit, there are alternative Brooks Stairlifts that may be more suited to your needs.



Outdoor Lift*

Fully weather-proofed, ideal for outdoor use. With all of the same features as the Brooks Straight. Supplied with a durable waterproof cover for extra protection.



Hinged Rail

In situations where there may be an obstruction at the foot of the staircase (usually a door), or where the stairlift could cause a tripping hazard, a hinged rail is required to 'fold back' away from the obstruction when the stairlift is not in use.



For situations where there may be an obstruction at the foot of the staircase (usually a door), there is a hinged rail option.

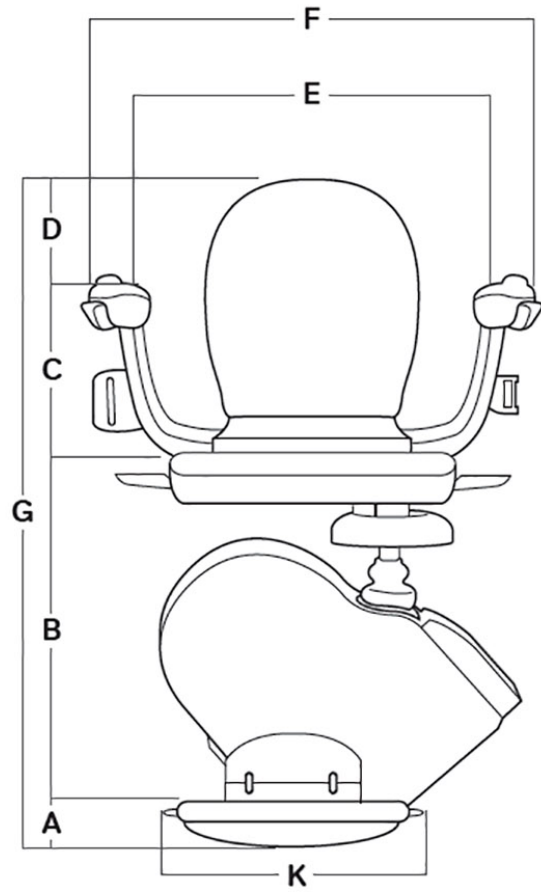
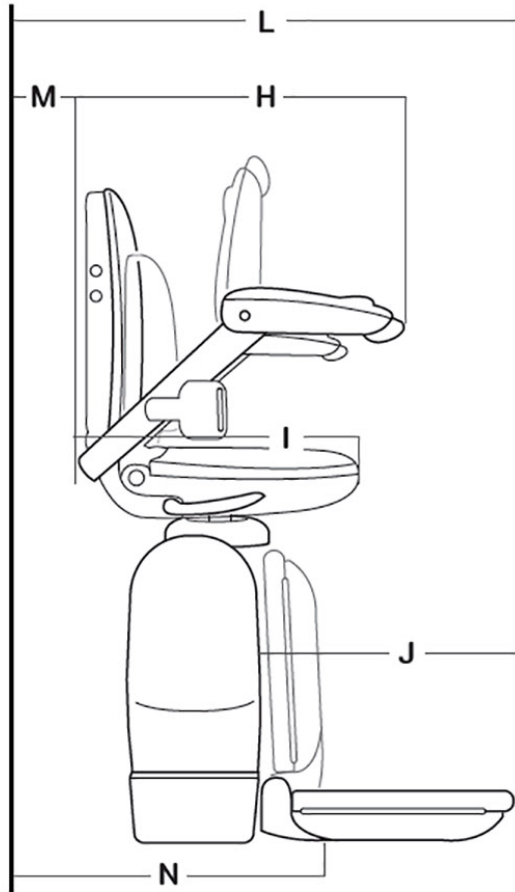


Brooks Stairlifts blend seamlessly into your home, and the smooth start and stop mechanism allows you to glide effortlessly up and down the stairs.



The Swivel Seat means that there is no need to twist awkwardly when rising from the stairlift at the top of the stairs and acts as a safety barrier.

Brooks Straight Specifications



Dimensions

	mm	inch
A Floor to top of footrest	95	3 ³ / ₄
B Top of footrest to top of seat	445	17 ¹ / ₂
C Top of seat to top of arms	250	9 ³ / ₄
D Top of arms to top of seat back	190	7 ¹ / ₂
E Width between armrests (wide arm version)	445 (495)	17 ¹ / ₂ (19 ¹ / ₂)
F Overall width	605	23 ³ / ₄
G Overall height	980	38 ¹ / ₂
H Length of arms from seat back	470	18 ¹ / ₂
I Length of seat base from seat back	435	17
J Length of footrest	325	12 ³ / ₄
K Width of footrest	310	12 ¹ / ₄
L Front of footrest to stringer	570	22 ¹ / ₂
M Back of seat to stringer	13	1/2
N Folded depth	310	12 ¹ / ₄

Specifications

Motor Output Speed

No greater than 0.15 m/s

Method of Drive

Rack and Pinion

Power Supply

24V DC (battery)

Maximum Capacity

300 lbs.

Track Extruded

Aluminum

Mains Supply

120 - 240V AC