

Make the most of your home with a Brooks Stairlift

Mr Frederick Brooks, a Daimler engineer, made his first stairlift in 1973. Almost 40 years later, by combining today's advanced technology with a tradition of reliability and comfort, we guarantee that the Brooks Stairlift will help you make the most of your home.

Safety and comfort come first with the Brooks Stairlift. Self-charging DC power packs mean the lift is whisper quiet, incredibly smooth and will function even during a power outage. The slimline motor provides years of smooth, steady service, while its host of innovative features offer exceptional safety and comfort.

For over thirty years, we have provided the finest stairlifts to our customers. Ours is a heritage based on quality and service – a heritage you can trust. Join the thousands worldwide, who associate 'Brooks' with excellence.

We remain true to our guiding principles of quality and care. Here are just a few of the features that set us apart.

- *Ultra Quiet Operation*
- *Easy to Use Controls*
- *Multiple Safety Sensors*
- *On-board Diagnostics*
- *UL Approved*
- *Swivel Seat*
- *Rapid Response and Delivery*

Safety and comfort come first at Brooks. The stairlift uses DC power packs that are automatically recharged when the stairlift is at rest. This means that the lift is ultra quiet, incredibly smooth and will function even during a power outage.

Brooks Stairlifts have slimline motors that provide a soft start / stop action and many years of faithful service. When you purchase a Brooks Stairlift, you are buying freedom – not costly maintenance. We are only a phone call away and our experts can give you all the advice you need.

Every member of the Brooks team has been trained to the highest standard. From your Authorized Brooks Dealer to the technician who services your stairlift, our care and attention to detail is second to none.

“Ordering and receiving our Brooks Stairlift was far easier and quicker than I expected. Installation was clean and trouble-free. It's all been so simple and it has really given us back our freedom.”

Mr S. Berg, Philadelphia, PA



Anatomy of the Brooks Stairlift

What makes the Brooks the leading stairlift in the world? It is a combination of thoughtful design, top class engineering, reliability and user friendly features.



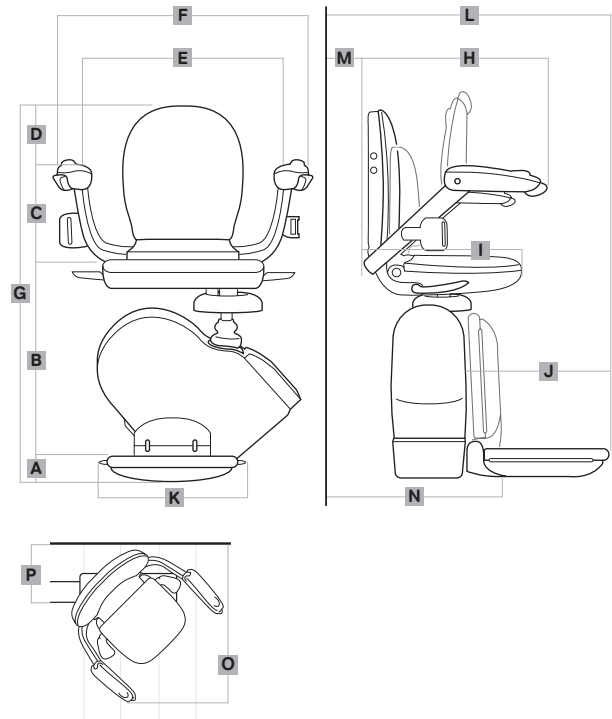
- 1 Padded seat and backrest.
- 2 Easy to use controls in both armrests.
- 3 Secure, retractable seat belt.
- 4 Folding arms, footrest and seat allow easy access to the stairway.
- 5 Swivel seat - no need for twisting the body to get on and off the lift.
- 6 Lockable on/off switch allows the user to prevent others (e.g. children) from using the lift.
- 7 Diagnostic digital display informs the user of the status of the lift.
- 8 Five safety sensors on the footrest and carriage stop the lift automatically if any obstruction is encountered.
- 9 Hand-held remote controls allow users to 'call' or 'send' the lift up and down the staircase.

Dimensions

	inch	mm
A Floor to top of footrest	3¾	95
B Top of footrest to top of seat	17½	445
C Top of seat to top of arms	9¾	250
D Top of arms to top of seat back	7½	190
E Width between armrests (Wide arm version)	17½ (19½)	445 (495)
F Overall width	23¾	605
G Overall height	38½	980
H Length of arms from seat back	18½	470
I Length of seat base from seat back	17	435
J Length of footrest	12¾	325
K Width of footrest	12¾	310
L Front of footrest to stringer	22½	570
M Back of seat to stringer	½	13
N Folded width	12¾	310
O Minimum width required to swivel at top	26¾	670
P Distance from front of rail to stringer (Wide arm version)	8½ (9½)	215 (240)

Specifications

Motor Power	0.25KW (USA)
Motor Output Speed	No greater than 0.15 m/s (USA)
Method of Drive	Rack and Pinion
Power Supply	24V DC (battery)
Maximum Capacity	300lbs (optional 350lbs)
Track	Extruded Aluminium
Mains Supply	120V AC, 1.5 Amp Charger



Brooks, in keeping with its policy of continual development, reserves the right to change specifications without notice. All measurements are approximate. Images are shown for illustrative purposes only.

Dealer Stamp