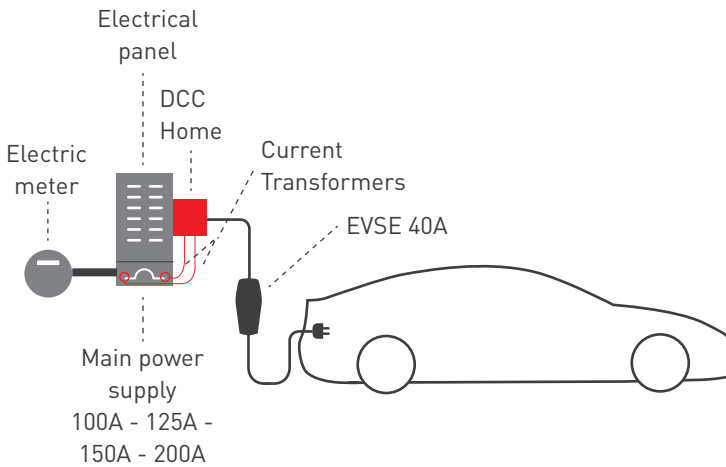


DCC HOME

EV Charging solution for home

The DCC Home manufactured by Thermolec is a charge controller specially designed to allow the connection of an Electric Vehicle Supply Equipment (EVSE), in a house or dwelling, to an electrical panel that otherwise would not have sufficient capacity to allow the connection.

TYPICAL INSTALLATION



DESCRIPTION	SPECIFICATIONS
Model	DCC-10
Voltage and wiring	240 VAC, single phase: L1, L2, ground.
Main power supply	100A - 125A - 150A - 200A
Secondary load supply (Electric Vehicle Supply Equipment)	40A (breaker included)
Dimensions (H" x L" x P")*	11.0" x 11.0" x 4.5"
Frequency	50 to 60 Hz
Total Weight (lb / kg)*	12 lb (5 kg)
Operating temperature	32°F to 113°F (0°C to 45°C)
Storage temperature	-4°F to 158°F (-20°C to 70°C)
Certification	CSA US

* Approximative and can change without notice.

DETAILS

- Avoid changing an electrical panel already fully loaded.
- Does not affect the load calculation of an electrical panel.
- Automatically manages the available energy and protects the main power supply of a home by ensuring that it never exceeds 80% of the main circuit breaker capacity.
- Included in the case: 1x charge controller, 1x circuit breaker, 1x contactor, 1x distribution box.

For more information, call us at
866 898 EVSE (3873) or visit us at www.electrumcharging.com