

PHILIPS

EP4341/50
EP4343/50
EP4343/70

EP4346/70
EP4347/94
EP4349/70



Cod. 882879650010
Cod. 882880350010
Cod. 882880370010

882880670010 - 0150 - 0530
882880894520
882880970010

POS	12NC	DESCRIPTION	NOTE	POS	12NC	DESCRIPTION	NOTE
101	421945006761	WATER TANK CONNECTOR V2 OMN		125	421944082901	BLK FRONT UPPER CASING COVER OMN/H-T	
102	421944086411	COFFEE SPOON OMN		127	421944092531	WHT FRONT UP.P.CAS.COV.OMN/H-T	only for EP4343/50/70
103	421946017941	KLUBERLUB NH1 11-222 TUBE 5GR.		128	421944040061	BLK LID FOR WATER CONT.VALVE V2 P0049	
	421945031791	KLUBERLUB NH1 11-222 TUBE 5GR.V2	only for EP4346/70	129	421944040781	BLK GASKET FOR WATER CONT.VALVE V2 P0049	
104	421940402711	STICKER FOR WATER HARDNESS TEST		130	421941157841	SS SPRING FOR WATER CONTAIN. VALVE P0049	
105	421945015261	CENTRAL STRUCTURE OMP/B ASSY		131	996530029115	EXTERNAL FILTER FOR WATER CONTAINER ASSY	
	421945024011	CENTRAL STRUCTURE OMP/B 120V ASSY	only for EP4347/94	132	421940212391	SCREW TCB TORX 3,5X30 PLAST.ZN-B	
	421945016861	CENTRAL STRUCTURE ASSY STLR	only for EP4346/70	133	421941306721	CPU+SW WATER LEVEL SENSOR V3 ASSY	
106	421945014111	BLK CASING BOTTOM V2 OMP/B ASSY		134	421946045822	3 POLES CONN.WATER LEV.CAP.OMN UL ASSY	
	421945015211	BLK CAS.BOTTOM V2 OMP/B 120V AS	only for EP4347/94	135	421944085741	WATER TANK OMN ASSY	
107	421324705256	FOOT		136	421944083001	DEEPLK WATER CONT.HAND.COV.OMN/H-T	
108	421941106891	BLK POWER CABLE SCHUKO L=1200			421944094561	WATER TANK HANDLE COVER OMN/H-T - PAN-THERA -Q1	EP4343/70 - EP4349/70
	421941107061	BLK POWER CABLE SJT3 USA UL L=1200	only for EP4347/94		421944094531	WATER CONT.HAND.COV.SILV.SPEC.OMN/T	only for EP4346/70
	996530025882	BLK POWER CABLE UK L=1200	only for EP4346/70		421945012821	CHR. WATER CONT. HANDLE COVER OMP/H	only for EP4347/94
	421946041742	BLK POWER CABLE AUSTRALIA V3 L=1200	only for EP4346/70	137	421944082891	BLK INS.FRONT UPPER CASING COVER OMN/B	
109	421945026331	KIT MAIN+SW APP OMP 230V			421944094541	INS.FR.UP.CAS.COV.PANTERA OMN/T	EP4343/70 - EP4349/70
	421945000241	MAIN+SW TEST OMN LOW VOLT	120V only for EP4347/94		421944094511	INS.FR.UP.CAS.COV.SILVER SPEC OMN/T	only for EP4346/70
110	-	WATER TANK OMN ASSY			421945012851	CHROMED FRONT UPPER CASING COVER OMP/B	only for EP4347/94
111	421944083011	WATER TANK HANDLE OMN/H-T		138	421945026991	BLK SOCKET INSERT V2 OMP/B	
	421944091941	WHIS WATER TANK HANDLE OMN/T-H	only for EP4343/50/70		421945009581	BLK SOCKET INSERT FOR CAS.BOTTOM OMP/B	only for EP4346/70
112	421944082861	BLK DRIP TRAY OMN/B		139	421945008631	IEC CONNECTOR OMN ASSY	
113	421944094551	DUMP BOX COV.PANTERA OMN/T			421945008641	IEC CONNECTOR OMN UL ASSY	only for EP4347/94
	421944082871	BLK DUMP BOX COVER OMN/H-T	EP4341/50 - EP4343/50	140	421945006921	KIT SPARES PAINT/SILBK OMN WATERTANK	only for EP4346/70
	421944094521	DUMP BOX COV.SILV.SPEC.OMN/T	only for EP4346/70				
	421945012831	CHROMED DUMP BOX FRONT COVER OMP/H	only for EP4347/94				
114	421944083121	BA/SS GRATE FOR DRIP TRAY OMN/B					
115	421944088751	FLOATER OMN/B					
116	421944082881	BLK DUMP BOX OMN/B					
117	421944082821	TR/GRY BEAN COF.CONT.LID W/SEAL OMN/B					
118	421944084601	NAT/GRY GROUND COF.HOPPER LID OMN/B					
119	421944085401	GRINDER SETTING KNOB OMN					
120	421945015271	M/BLK UPPER CASING COVER V2 OMN/B					
	421945015281	WHIS UPP.CAS.COVER V2 OMN/B	only for EP4343/50/70				
121	421944082982	LATERAL DOOR V2 OMN					
122	421944082991	RIGHT PANEL OMN					
	421944092611	WHT RIGHT PANEL OMN/H-T	only for EP4343/50/70				
123	421945026961	BLK BACK PANEL V2 OMP/B					
	421945009561	BLK BACK PANEL OMP/B	only for EP4346/70				
124	421944082921	BLK LEFT SIDE COVER OMN/B					
	421944092591	WHT LEFT SIDE COVER OMN/B	only for EP4343/50/70				

IMPORTANT REPAIR INSTRUCTIONS: Only use genuine Philips spare parts to replace critical components.

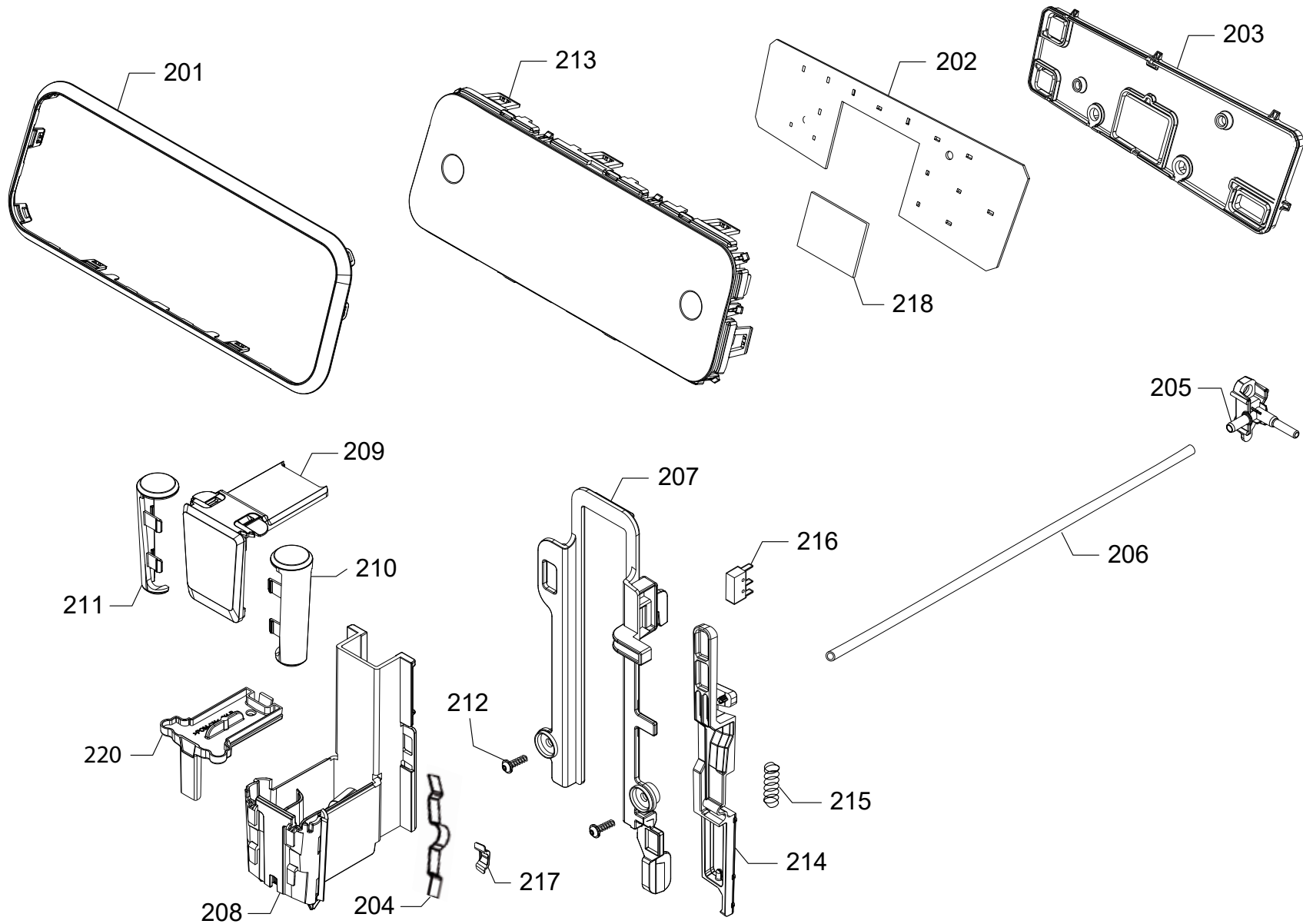
The warranty of your Philips product is void if you do not use genuine Philips spare parts to repair critical components of your appliance.

The critical components are indicated with a warning triangle in the service exploded view and/or service manual.

PHILIPS

EP 4000 - LATTEGO

TABLE 1/7



PHILIPS

EP4341/50
EP4343/50
EP4343/70

EP4346/70
EP4347/94
EP4349/70



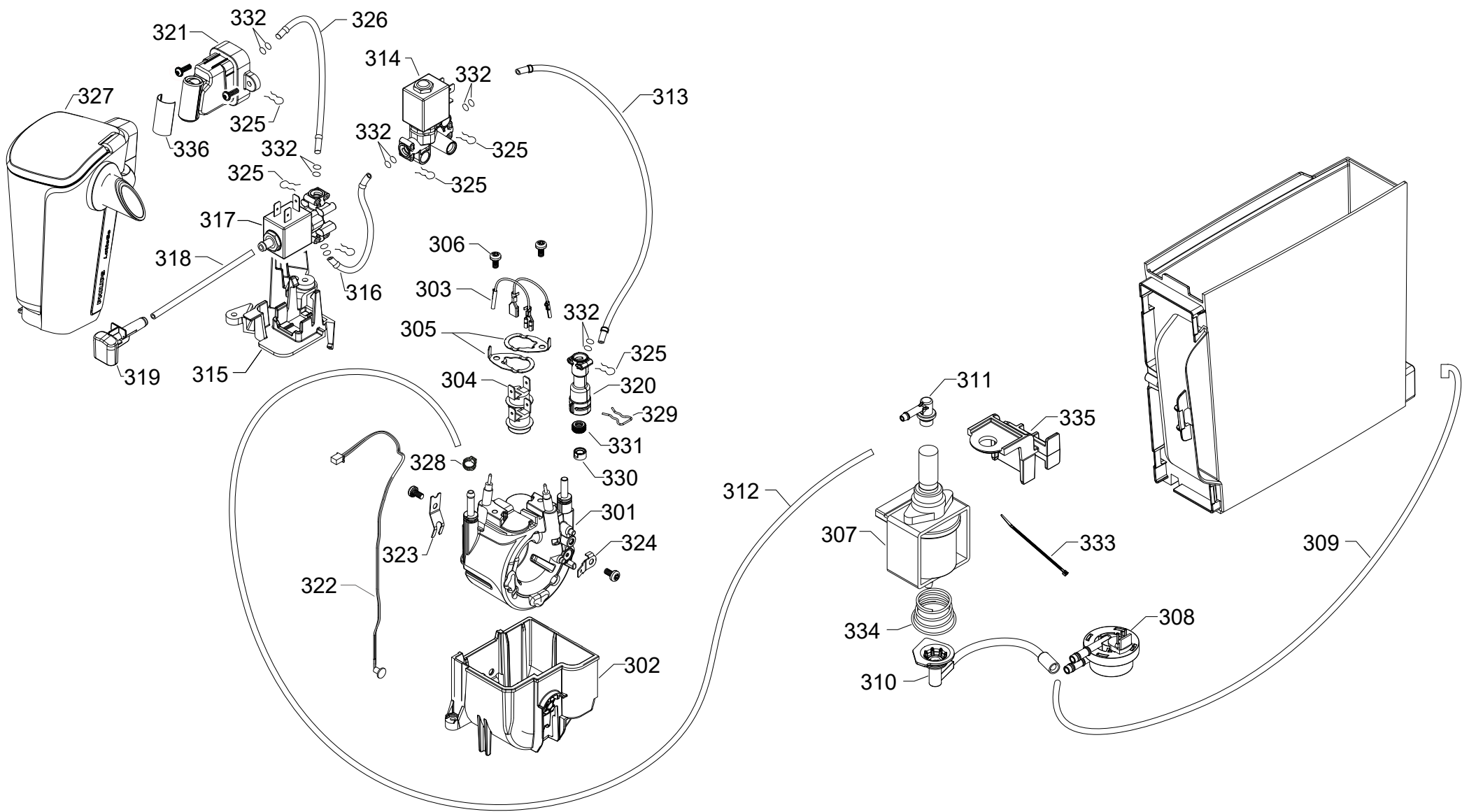
Cod. 882879650010
Cod. 882880350010
Cod. 882880370010

882880670010 - 0150 - 0530
882880894520
882880970010

POS	12NC	DESCRIPTION	NOTE	POS	12NC	DESCRIPTION	NOTE
201	421944083161	CHR.UI FRAME OMN/M-T					
202	421945026381	KIT UI+SW APP GOOD OMP/H					
	421945002741	UI+SW TEST GOOD+ OMP-STL	only for EP4347/94				
	421945026391	KIT UI+SW APP GOOD+ OMP/T	only for EP4346/70				
203	421945004341	BLK BACK COV.UI NO LED OMP/B-H					
204	422224000542	SPOUT SPRING					
205	421944085411	BLK BREW UNIT COFFEE OUTLET CONN.OMN/B					
206	421945001461	SILICONE TUBE 4X6.5 L=245 MM					
207	421944088081	COF.DISPENS.SUPP.OMN/B					
208	421945022601	BLK COF.DISP.EXT.MOB.PART V2 OMN/B					
209	421944090431	BLK UPP.COV.COFF.DISP.S/SCR.OMN/B					
210	421944088691	CHROM.RIGHT SIDE INS.COF.DISP.OMN/B					
211	421944088701	CHROM.LEFT SIDE INS.COF.DISP.OMN/B					
212	421940220061	SCREW TCBR TORX 10 3,5X12 PLAST.ZN-N					
213	421945009511	BLK FRONT PANEL UI OMP/H					
	421945019391	BLK FRONT PANEL UI OMP/H 120V	only for EP4347/94				
214	421944085422	DUMP BOX MISCROSWITCH LEVER V2 OMN					
215	421944092961	MICROSWITCH LEVER SPRING OMN					
216	421946043193	CONN.MICROSW.DOOR OMN UL ASSY V3					
217	421945006071	WHT COFFEE DISPENSER SLIDER OMN/B					
218	421945012661	DISPLAY TFT 2.4 IPS					
220	421945006591	INTERNAL COVER OMN/B					

PHILIPS

EP 4000 - LATTEGO



PHILIPS

EP4341/50
EP4343/50
EP4343/70

EP4346/70
EP4347/94
EP4349/70



Cod. 882879650010
Cod. 882880350010
Cod. 882880370010

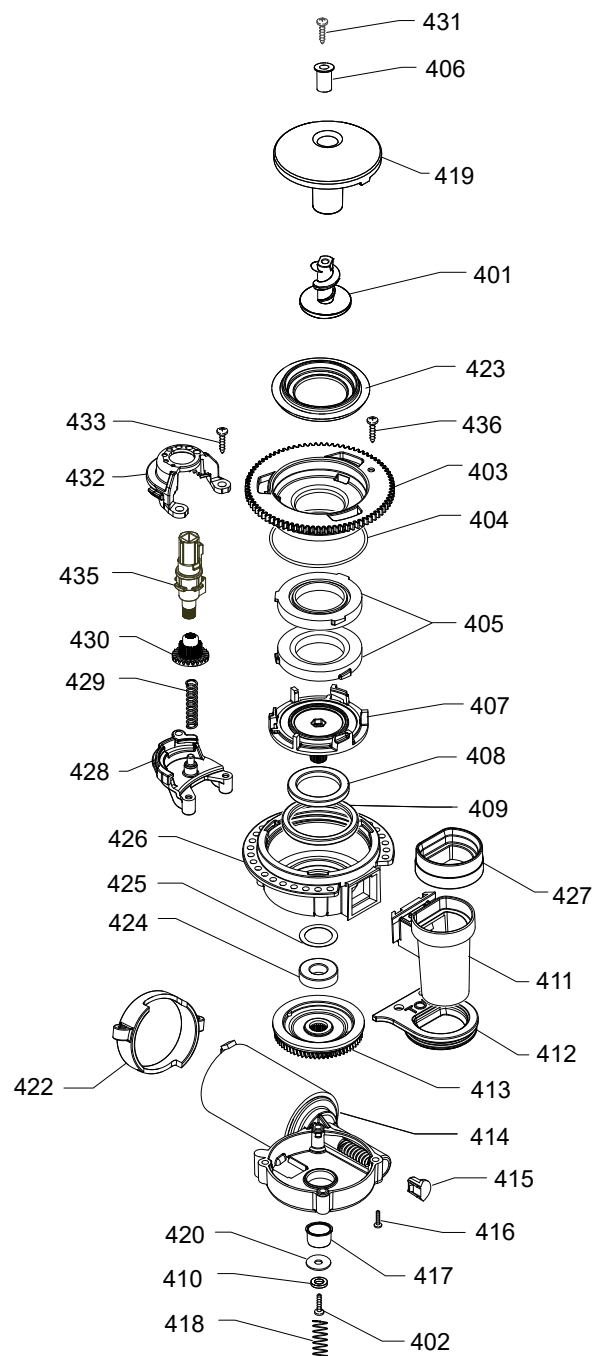
882880670010 - 0150 - 0530
882880894520
882880970010

POS	12NC	DESCRIPTION	NOTE	POS	12NC	DESCRIPTION	NOTE
301	421944082941	THERMOBLOCK OMN ASSY					
	421945003491	THERMOBLOCK 127V OMN ASSY	only for EP4347/94				
302	421944082951	THERMOBLOCK SUPP.OMN ASSY					
303	421946043141	CABLE 1 WIRE BLK BOILER OMN					
304	262279998757	THERMOSTAT OPEN/CLOSE 190/-35DEGC B					
305	422224002162	FUSE CLAMP					
306	421940212071	SCREW TCB TORX 20 M4X8 AUTOFORMING ZN-B					
307	421941305991	ULKA PUMP EP5FMGW 230V-50HZ					
	421944081531	ULKA PUMP EFP5/S 120V-60HZ	only for EP4347/94				
308	421940207701	TURBINE D=1,2 932-8521/90 ASSY					
309	422224708411	FM INLET HOSE					
310	422224708391	FM OUTLET HOSE					
311	421944090251	BLACK 90°CONNECTOR PUMP OUTLET PHI2200					
312	421944065471	PINK 5X8,9 SILICONE TUBE L=140 MM					
313	421944091581	TEFLON TUBE 2X4 L=200MM+2BUSH 7/7 ASSY					
314	421944082931	EV OMN ASSY					
	421945004501	EV ASSEMBLY-UL OMN	only for EP4347/94				
315	421945001451	SUPP.3WAY_VALVE OMN/T					
	421945004751	SUPP.3WAY_VALVE OMN/T	only for EP4347/94				
316	421941128281	TEFLON TUBE 2X4 L=180 MM ASSY					
317	421945001441	PLAST.3W.EV V395VN20PA02					
	421945004511	PLAST.3W.EV-UL OMN	only for EP4347/94				
318	421945001911	SILICON TUBE 5X8 70SH L=470MM					
319	421945002121	DISCHARGE CONNECTOR OMN/T					
320	422224777123	TB INLET CONNECTOR					
321	421944089051	SS HOT WATER DISPENSER OMN/T					
322	421946046921	TEMPERATURE SENSOR NTC OMN					
323	422224002171	NTC CLAMP					
324	422224006891	EARTH TERMINAL					
325	421941058941	SS FORK FOR TUBE D.4					
326	421945001651	TEFLON TUBE 2X4 L=210 MM ASSY.					
327	421945016221	TR/BLK PREM.GEN.CARAFE SW ASSY					
328	421940221091	OETIKER EAR CLAMP 16707295 009.6-505					
329	422224002241	FORK FOR D=8MM					
330	422224777092	TB SEAL SPACER					
331	422224708381	THERMOBLOCK SEAL					
332	996530013564	OR 2015 IN SILICONE PTFE/FDA					
333	421940213981	SELF LOCK STRIP W=2.6 L=200					
334	422224002181	PUMP SPRING					
335	421945020921	PUMP RUBBER SUPPORT OMN					
336	421944083571	SS STEAM SPOUT COVER SMRE/MH					

PHILIPS

EP 4000 - LATTEGO

TABLE 3/7



PHILIPS

EP4341/50
EP4343/50
EP4343/70

EP4346/70
EP4347/94
EP4349/70



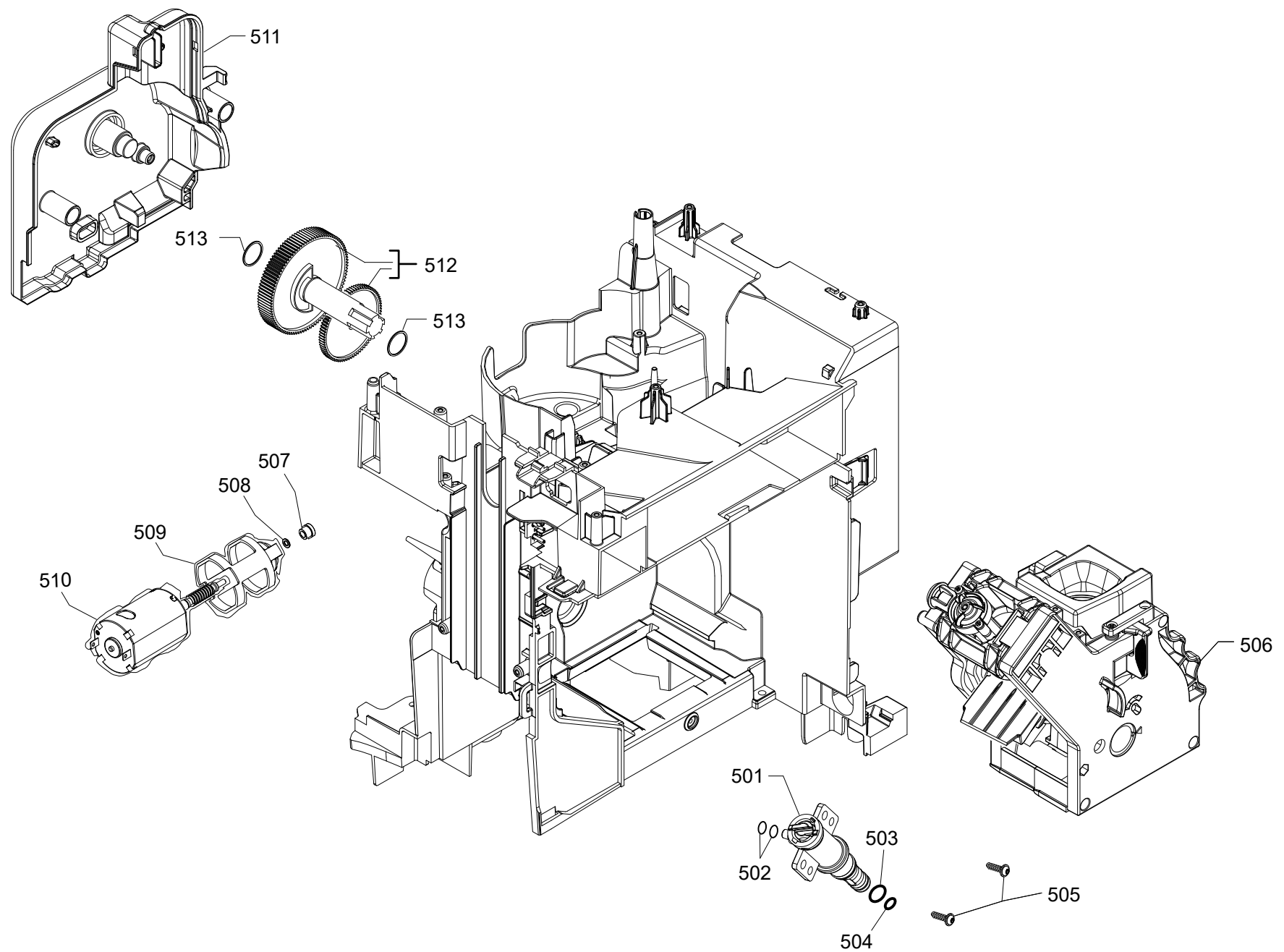
Cod. 882879650010
Cod. 882880350010
Cod. 882880370010

882880670010 - 0150 - 0530
882880894520
882880970010

POS	12NC	DESCRIPTION	NOTE	POS	12NC	DESCRIPTION	NOTE
401	421944032692	GRIVORY INCREASE SCREW GRINDER V2					
402	996530012928	SCREW TCB TORX 20 M4X30 ZN-B					
403	421941094152	BLK COF.GRINDER UPPER GRINDER SUPPORT V2					
404	996530013577	NBR FDA OR METRIC 0530-15					
405	996530016342	BAKED CLAY GRINDER 48X28					
406	421944079881	BRASS BUSH BEAN CONT.FINGER PROTEC.FTR/B					
407	996530017952	LOWER GRINDER SUPPORT COFFEEGRINDER					
408	996530011183	AXIAL BEARING EKKO 342.35252					
409	996530013597	FELT RING 45,4X39,4X4					
410	996530012341	GALV.WASHER UNI 8842 A4					
411	421941230122	BLK GROUND COFF.OUTLET CONVEYOR V4 ASSY.					
412	421944060561	GRY GROUND COF.CONT.LOWER SEAL V2 SMART1					
413	421945006091	GRY GEAR SX Z=38 FOR GRINDER MOTION					
414	421944078831	MOTOR COFFEEGRINDER V3.2 230V DOMEL ASSY	⚠				
	421944084071	MOTOR COFFEEGRINDER V3.2 WZN 120V ASSY	⚠ only for EP4347/94				
	421944049151	MOTOR COFFEEGRINDER V3.2 230V ASSY.	⚠ only for EP4346/70				
415	996530018139	CAP FOR WORM SCREW MC/V3 CENTRING					
416	996530012992	SCREW TCB TORX 3,5X30 PLAST.ZN-B					
417	996530001389	INSULATOR BUSH FOR GRINDER MOTOR P124					
418	996530000376	COFFEE GRINDER SUPPORT SPRING P124					
419	421945024711	BLK GRINDER FINGER PROTECT.V2 OMN					
	421944094591	BEAN CONT.FINGER PROT.NO WRIT OMN/B	only for EP4346/70				
420	996530012375	GALVAN.FLAT WASH.DI=4,3 DE=14 SP=1,5					
422	421941142172	BLK COFFEEGRINDER MOTOR SUPP.P124 V2					
423	421941085872	COFFEE GRINDER SEAL P119 GRY 7035					
424	996530011182	RADIAL BEARING 61900.2RS1					
425	996530012374	CRINKLE WASHER 21,8X15,8X0,2					
426	421941082802	BLK UPPER BODY WITH COFFEE GROUND OUT.V2					
427	996530015958	GROUND COFFEE CONT.SEAL UPPER SMART1					
428	996530001314	LOWER GEAR SUPPORT COFFEEGRINDER P124					
429	996530001308	GRINDER REGULATION SPRING P124					
430	996530001907	COFFEE GRINDING ADJUSTMENT GEAR P0049					
431	421940212391	SCREW TCB TORX 3,5X30 PLAST.ZN-B					
432	996530001296	UPPER GEAR SUPPORT COFFEEGRINDER P124					
433	996530013165	SCREW TCB TORX 10 3,5X16 PLAST.ZN-B					
435	421944052341	BLW BEAN COFFEE GRINDER INSERT V2 SMR					
436	421940213291	SCREW TCB TORX 10 3X8 PLAST.ZN-B					
	421945023911	GEN.MOTOR COF.GRINDER OMN 230V ASSY					
	421944092381	GEN.MOTOR COF.GRINDER OMN 120V ASSY					
	421944092371	GEN.MOTOR COF.GRINDER OMN 230V ASSY	only for EP4346/70				

PHILIPS

EP 4000 - LATTEGO


PHILIPS

 EP4341/50
 EP4343/50
 EP4343/70

 EP4346/70
 EP4347/94
 EP4349/70

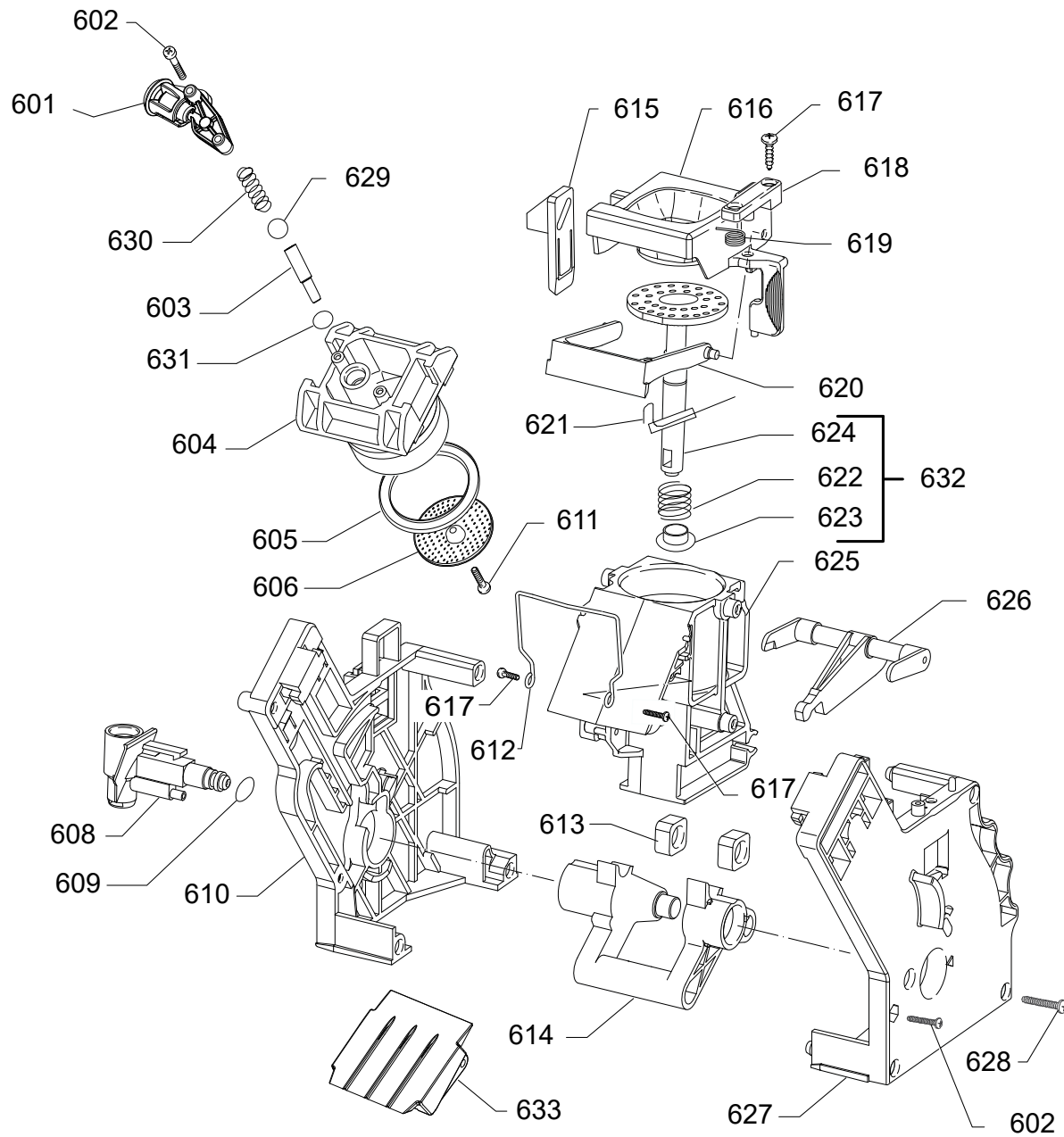
 Cod. 882879650010
 Cod. 882880350010
 Cod. 882880370010

 882880670010 - 0150 - 0530
 882880894520
 882880970010

POS	12NC	DESCRIPTION	NOTE	POS	12NC	DESCRIPTION	NOTE
501	421945000221	ASSY PIN OF BOILER SMR					
	421945041191	PIN FOR BOILER OMN ASSY V2	only for EP4346/70				
502	996530013564	OR 2015 IN SILICONE PTFE/FDA					
503	996530059399	OR ORM 0090-20 SILICONE					
504	996530059419	OR ORM 0050-20 IN SILICONE					
505	996530070321	SCREW TCBR TORX 10 3,5X12 PLAST.SS					
506	421944093343	BLK/YLW BREW UNIT 8GR 5BAR V3 OMN					
	421944092331	BLK/YLW BREW UNIT 8GR.5BAR FTR/B V3	only for EP4347/94				
507	996530049898	SINTERED BUSH FOR MOTOR					
508	996530017424	WASHER BAKELIZZATE D=5,5					
509	996530049896	ANTIVIBRATION FOR MOTOR					
510	996530002796	MOTOR FOR RATIOMOTOR P124 ASSY	⚠				
511	421944082961	BREW UNIT MOTOR COVER OMN					
	421945004721	BREW UNIT MOTOR COVER UL OMN	only for EP4347/94				
512	996530009913	SPARES KIT GEARS FOR RATIOMOTOR V2					
513	996530050569	MYLAR WASHER FOR RATIOMOTOR	⚠				

PHILIPS
EP 4000 - LATTEGO

TABLE 5/7



PHILIPS

EP4341/50
EP4343/50
EP4343/70

EP4346/70
EP4347/94
EP4349/70



Cod. 882879650010
Cod. 882880350010
Cod. 882880370010

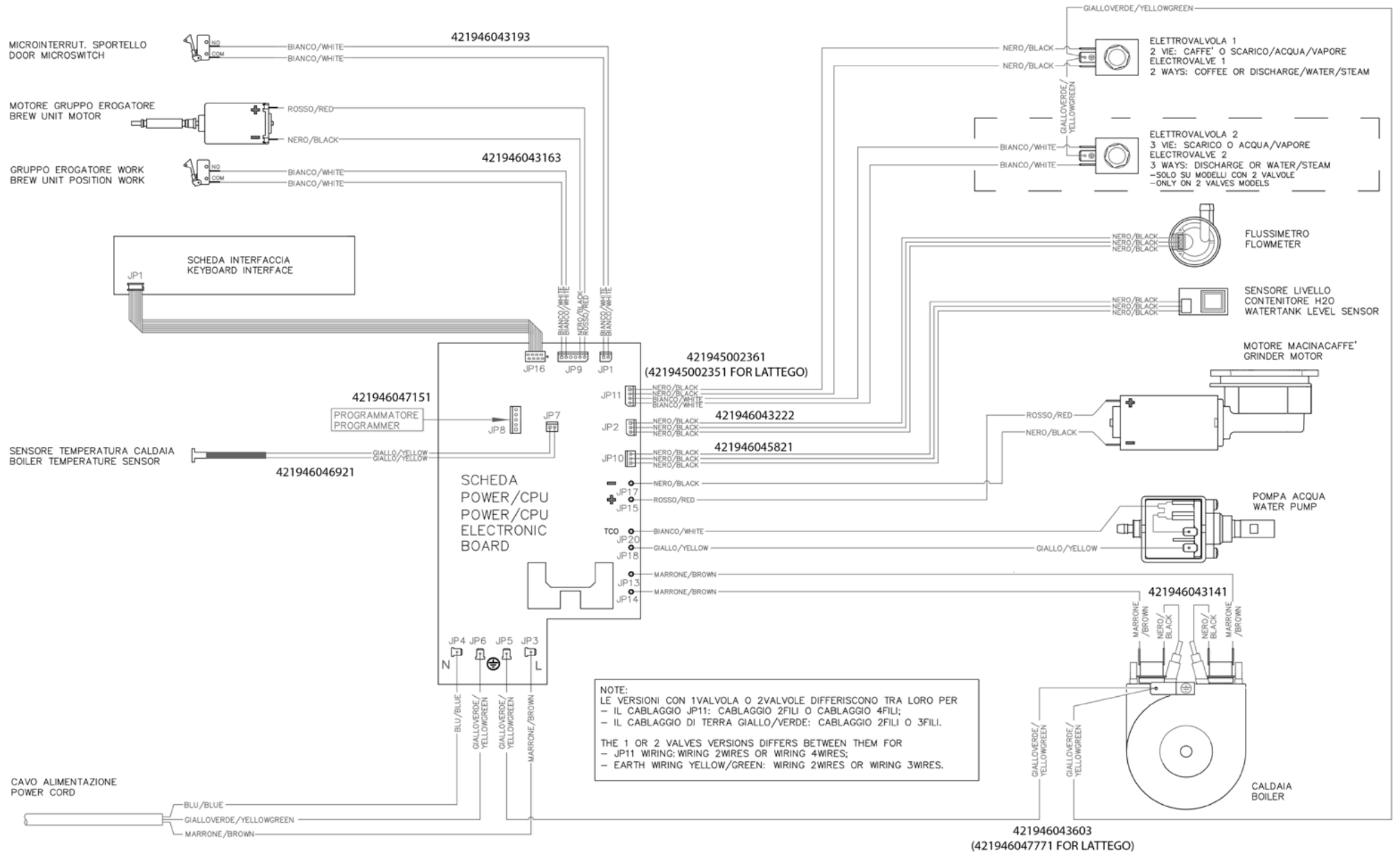
882880670010 - 0150 - 0530
882880894520
882880970010

POS	12NC	DESCRIPTION	NOTE	POS	12NC	DESCRIPTION	NOTE
601	421945026582	BLK BREW UNIT COF.OUT.SLEEVE V3 OMN AS					
602	996530007838	SCREW TCB TORX 10 3X25 PLAST.SS					
603	421944079291	BLK BREW UN.COUNTER PISTON TUBE V2 S0053					
604	421944079991	BLK BREW UNIT 8GR.COUNTER PISTON V2 P124					
605	996530059406	OR ORM 0320-40 IN SILICONE PTFE/FDA					
606	996530050709	PERCOLATOR DE=35,8 ELFO					
	421945025331	PERCOLATOR DE=35,8					
		only for EP4347/94 - EP4346/70					
608	421945002572	BREW NEU. UN.WATER INLET SLEEVE V5					
	421944050641	BREW UN.WATER INLET SLEEVE V2 SMR	only for EP4347/94				
609	421940207151	OR 2025 NBR FDA					
610	996530050832	BLACK REAR PLATE FOR BREW UNIT SMART					
611	996530007951	SCREW TSP TORX 10 3X10 PLAST.SS					
612	421944025811	SS BREW UNIT SPRING H=49 PK					
613	996530050539	BLACK DRILLED BLOCK BREW UNIT					
614	421944079201	YLW BREW UNIT ELBOW SHAFT V2 M5000					
615	421944046932	YLW BREW UNIT COUPLING PLATE V3 SMART					
616	421941095982	BLK BREW UNIT V3 SMART1 HOPPER DOSER					
617	996530013148	SCREW TCB TORX 10 3,5X14 PLAST.SS					
618	421941065051	BLK BREWUNIT HOPPER BLOCKING PLATE SMART					
619	996530050838	SPRING HOPPER SMART BREW UNIT					
620	421944091771	BLK BREW UNIT SCRAPER V2 M5000					
621	996530050455	SPRING FOR UNIT SCRAPER					
622	996530050627	SS.8GR.BREW UNIT PISTON SPRING					
623	996530050618	WHITE 8GR.-12GR.BREW UNIT PISTON BUSH					
624	421944079491	GRY BREW UNIT INTEGR.PISTON 8GR.V4 ASSY					
625	421945023671	BLK COF.CONTAIN.BREW UNIT V6 ASSY					
626	421945023661	BLK BREW UNIT 8GR.CONNECTING ROD V4					
627	996530003228	BLK BREW UNIT FRONT PLATE S/SCR.SMART					
628	996530007953	SCREW TCB TORX 10 3,5X20 PLAST.SS					
629	421944081491	BREW UNIT VALVE FTR/B					
630	421945001491	SS.CONICAL SPRING 6BAR					
	421941064021	SS.CONICAL SPRING	only for EP4347/94				
631	996530059489	OR ORM 0060-10 NBR					
632	421944065811	GRY BREW UNIT 8GR.INT.PISTON GEN.V3 ASSY					
633	421944079341	BLK BREW UNIT CONVEYOR SLIDE L=56,3 V2					
	421944093343	BLK/YLW BREW UNIT 8GR 5BAR V3 OMN					
	421944092331	BLK/YLW BREW UNIT 8GR.5BAR FTR/B V3					

PHILIPS

EP 4000 - LATTEGO

TABLE 6/7



PHILIPS

EP4341/50
 EP4343/50
 EP4343/70

EP4346/70
 EP4347/94
 EP4349/70



Cod. 88287965010
 Cod. 882880350010
 Cod. 882880370010

882880670010 - 0150 - 0530
 882880894520
 882880970010

POS	12NC	DESCRIPTION	NOTE	POS	12NC	DESCRIPTION	NOTE
	421946045821	3POLES CONN. WATER LEV. CAP. OMN UL					
	421946043222	3POLES CONN. FLOWMETER OMN UL					
	421946043141	1 WIRE CABLE BLACK BOILER OMN					
	421946043163	MICRO+MOTOR BREWUN. V2 OMN UL ASSY.					
	421946043193	CONN.MICROSW.DOOR V3 OMN UL ASSY.					
	421946043603	2 WIRES CABLE BOILER/VALVE EARTH OMN V3					
	421945002361	4P.CONN.1ELECTROV. OMN UL ASSY					
	421946047771	3WIRES CABLE BOILER/VAL./VAL. EARTH OMN					
	421945002351	4P.CONN.2ELECTROV. OMN UL ASSY					
	421946046921	TEMPERATURE SENSOR NTC OMN					
	421946047151	WIRING SERPROG OMN PROGRAMMER ASSY.					

PHILIPS

EP 4000 - LATTEGO

TABLE 7/7