

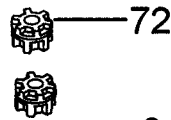
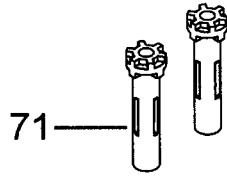
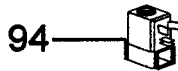
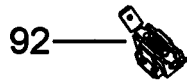
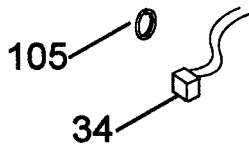
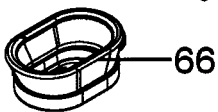
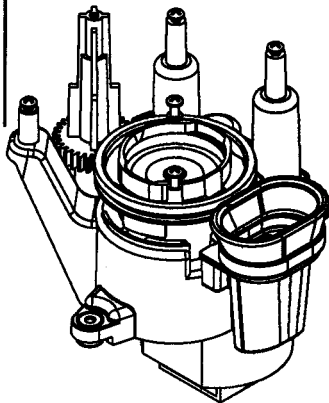
TEST LABEL



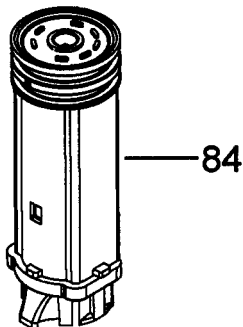
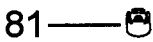
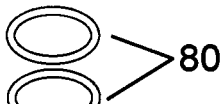
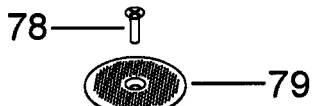
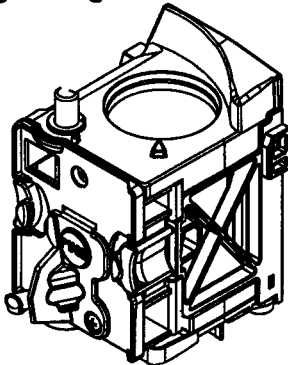
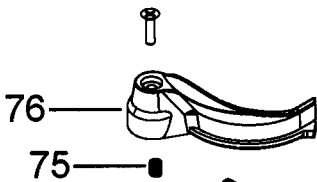
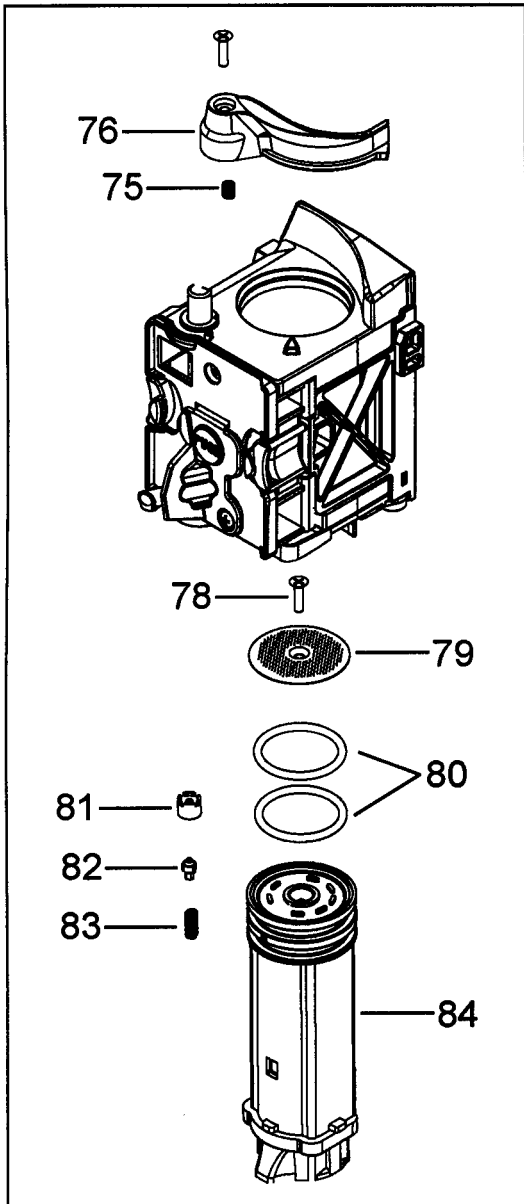
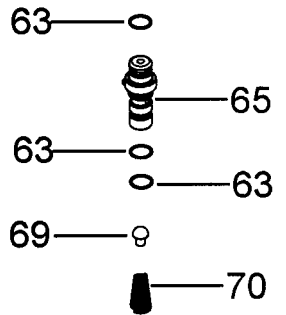
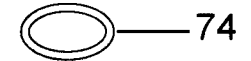
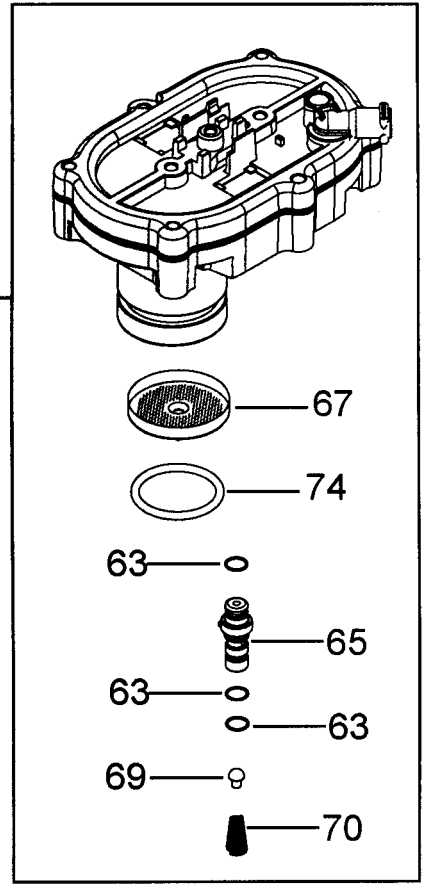
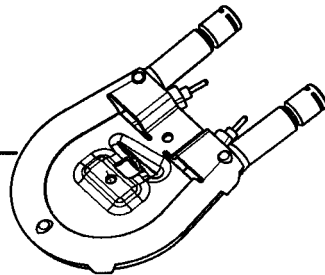
TO PLACE AN ORDER CHECK THE LABEL

CCCCC **EE** SSSSS PPPP

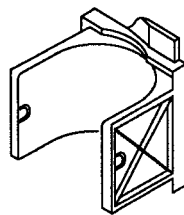
AB=62B



64

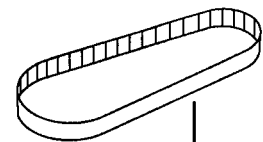
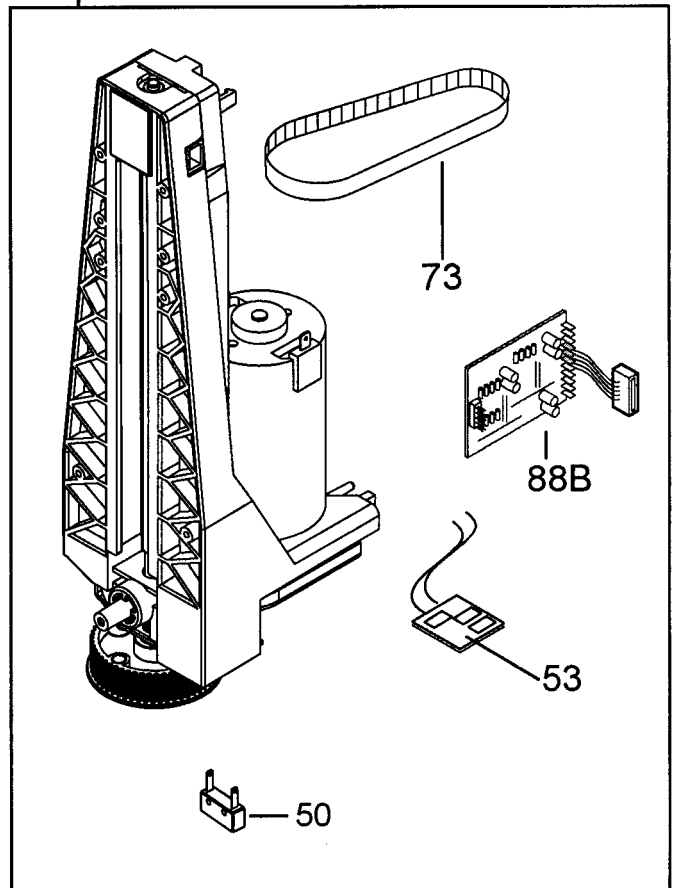


77

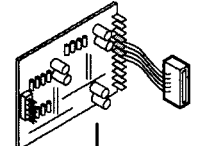


91

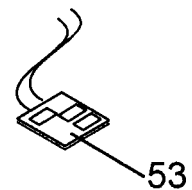
68B



73



88B



53



50

Pos.	Code	Description
	7313217261	MOTOR ASSEMBLY
	5313210401	COVER-SAVE FINGERS B BLACK
	5332224100	BELT
	6913210031	E.VALVE BRACKET 3WAY DEGREASED MCSA
	6913210021	E.VALVE BRACKET 2WAY(S.VAP) DEGREASED
	5332164700	RUNNER FRAME
001	5332172500	COVER
002	5332172400	COVER
004	7313224471	CLOSURE
005	5332172700	SIDE LEFT
006	5913210471	KNOB
007	5532146600	TANK
008	5332172800	REAR PANEL
009	5332172600	SIDE RIGHT
010	5913212701	CONTROL PANEL
012	7313220631	DOOR ASSY
013	5332142600	HOOK
014	5332145600	COVER
015	7313228241	TANK
016	5332171900	PROFILE
017	6032105000	CUP PLATE
018	5332169700	TRAY
019	5332225800	BOTTOM
020	5332266300	FLOAT
021	5332169200	MEASURING SPOON
027	5532118000	TUBE PTFE DI2-DE4 L=230 2BUSHES
028	6132101300	CLIP
030	5032513900	TCO
031	5332142200	SUPPORT
032	5132104100	MICROSWITCH
033	6132104700	SPRING
034	5217100200	SENSOR NTC
035	7313219431	VALVE
036B	5232109900	POWER BOARD
037	5332225700	SUPPORTO
038	5113211281	PUMP
039	5232103200	PROTECTOR

DE'LONGHI
EU EAM3500.S
EAM 3500.S MAGNIFICA

040	5513212881	TUBE PTFE DI2-DE4 L=270 2BUSHES
044	5232114200	CONTROL BOARD
048	5332172100	PUSH BUTTON
050A	5132105400	MICROSWITCH
050	5113210421	MICROSWITCH
051	5513220521	FILTER
052	VI000	SEE TECHNICAL INFORMATION
053	5213213971	HALL SENSOR
054	5213214671	FLOWMETER
055	5232104600	SENSOR REED
062B	7332203600	COMPLETE GRINDER
063	5313217751	O-RING
064	7332182500	GENERATOR
065	5332184900	PIN
066	5332144900	GASKET
067	5332139200	FILTER
068B	7313226111	TRANSMISSION KIT
069	5332148400	VALVE
070	6132106900	SPRING
071	5332142300	BUSH
072	5332142400	BUSH
073	5313243071	BELT
075	6132103500	SPRING
076	5332139800	LEVER
077	7332183900	DIFFUSER KIT
078	9812631250	SCREW
079	6032105300	FILTER
080	5332149100	O-RING
081	5332139600	STOPPER
082	5332139500	VALVE
083	6132106700	SPRING
084	5332140300	PISTON
088B	5213212381	MOTOR BOARD
089	5332171500	COVER
090	534848	SUPPORT
091	7332166600	SLIDER
092	5232105000	TCO
094	5513225711	KIT SOLENOID VALVE 3V

095	IT0286	SEE TECHNICAL INFORMATION
096	5332170800	GLASS
097	7132102600	FRONT PANEL
098	5332180300	TEMPLATE
099	5332170700	COVER
100	5332170900	KEYBOARD
101	5932113600	PUSH BUTTON
102	5932113700	PUSH BUTTON
103	5932113300	PUSH BUTTON
104	5932113200	PUSH BUTTON
105	5313217701	O-RING D=3,85
106	5932113800	PUSH BUTTON
107	7332190200	COVER
109	5313219481	SUPPORT
110	5513225701	KIT SOLENOID VALVE 2V
111	5532133900	COUPLING
112	5532124900	PIPETTE