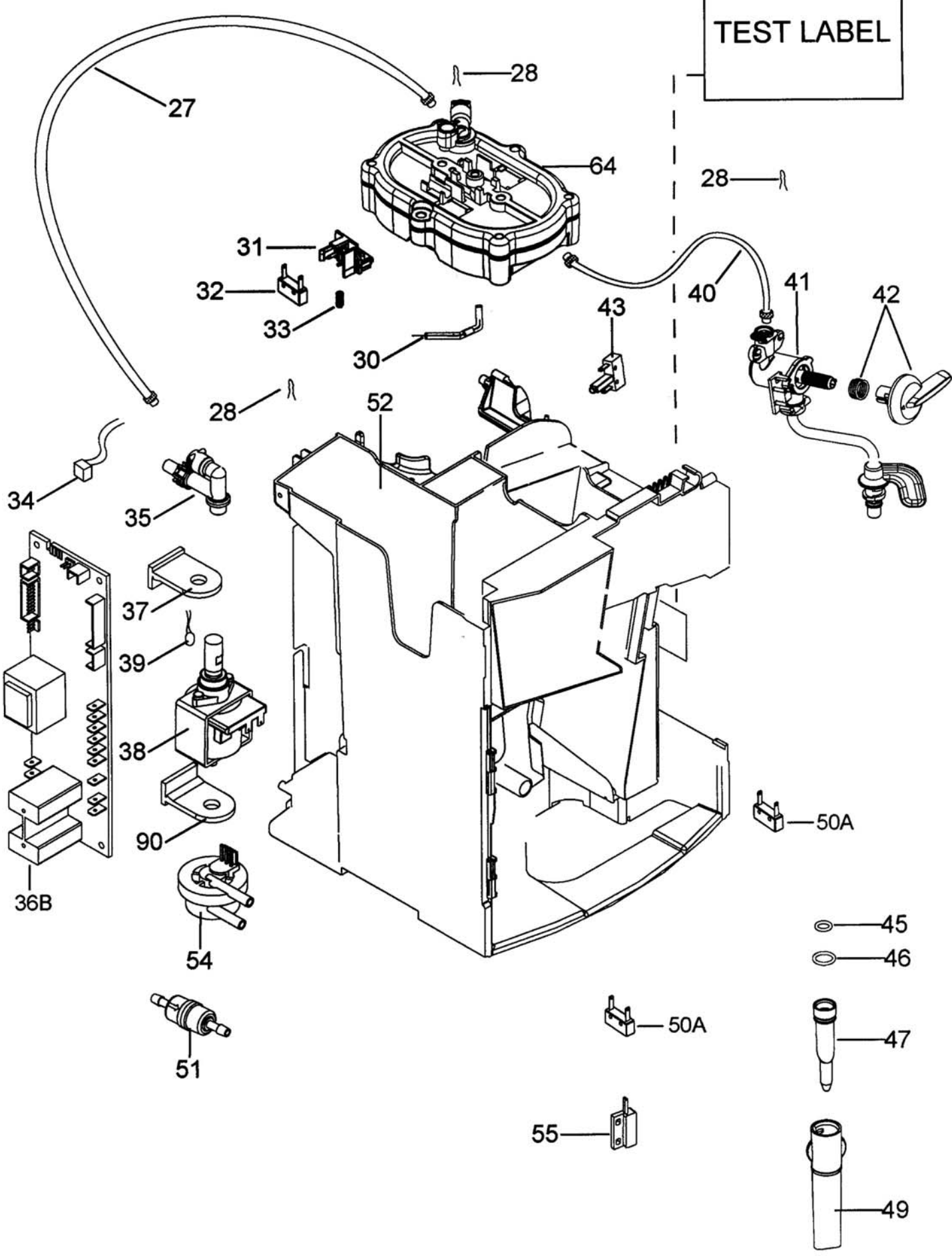


TEST LABEL

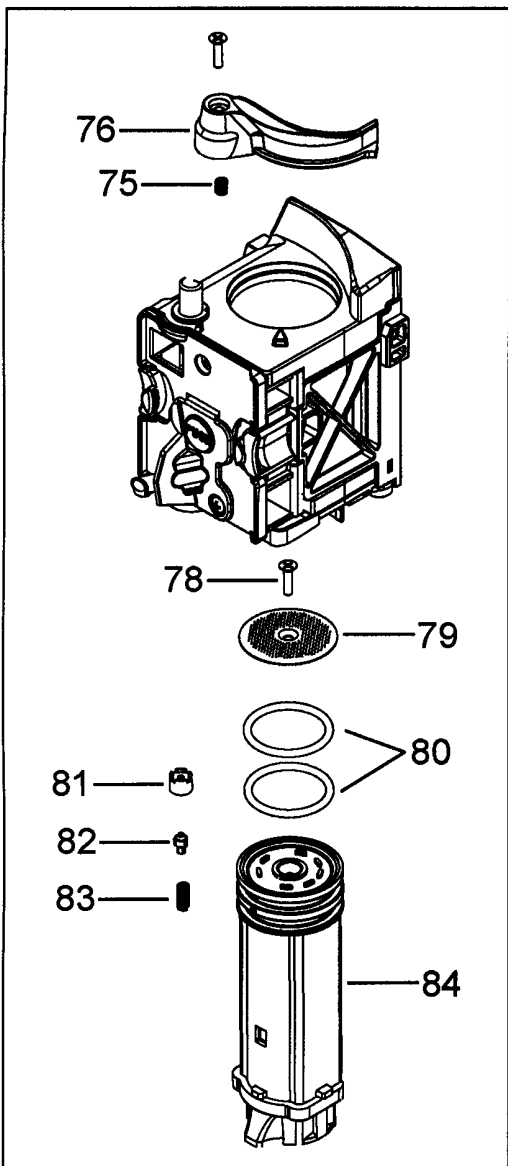
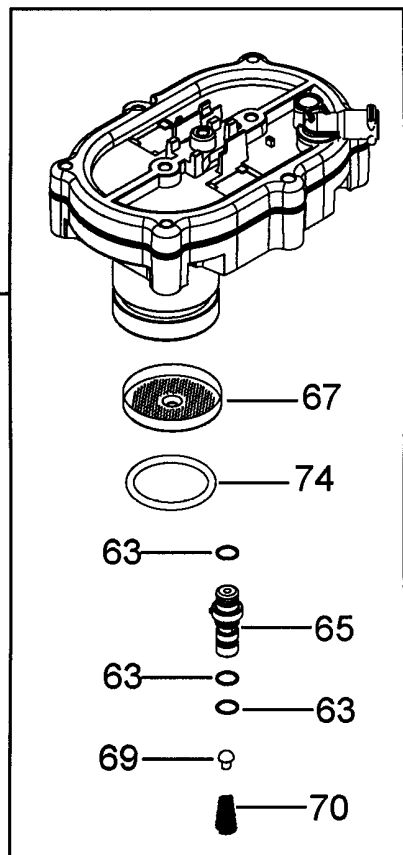
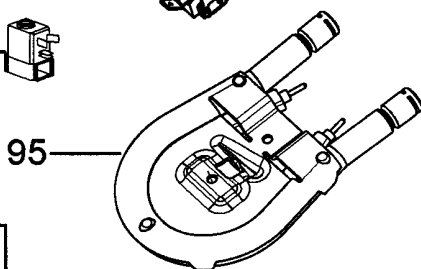
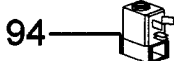
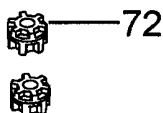
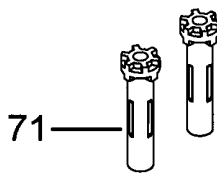
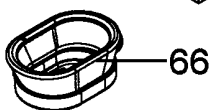
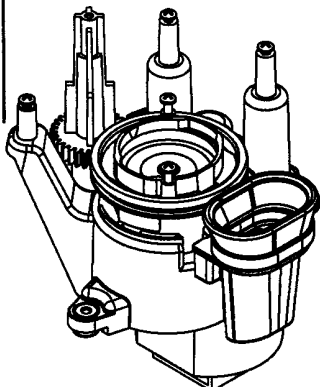


TEST LABEL

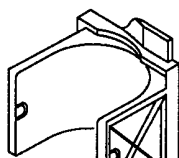
← TO PLACE AN ORDER CHECK THE LABEL

CCCCC **EE** SSSSS PPPP

AB=62B

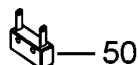
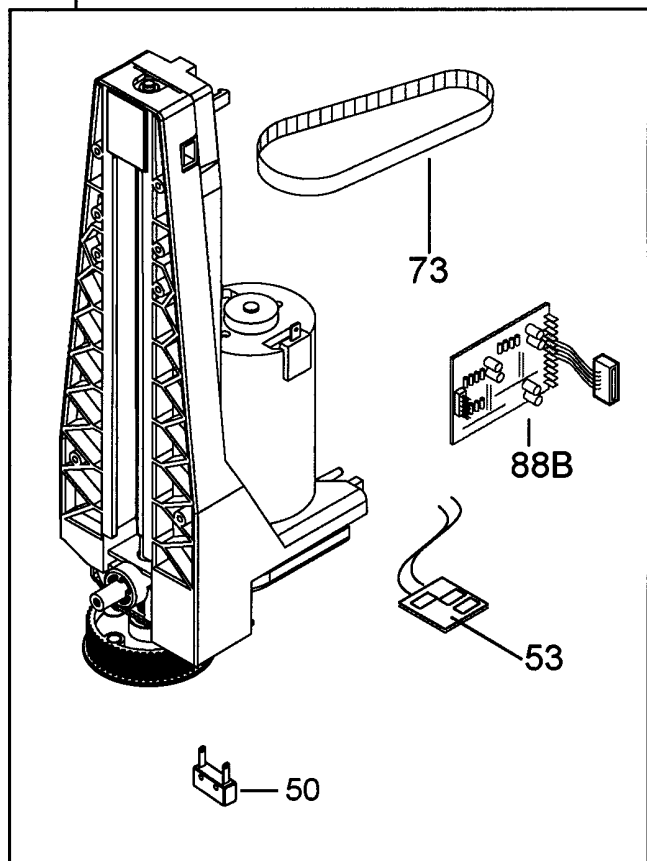


77

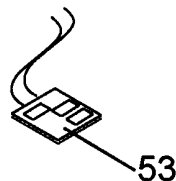


91

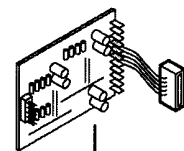
68B



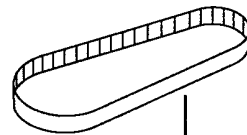
50



53



88B

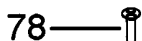


73



75

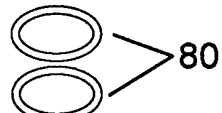
76



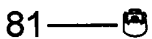
78



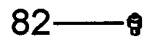
79



80



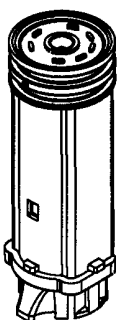
81



82



83



84

DE'LONGHI "INT" EAM3400.S

Pos.	Code	Description
	7313217261	MOTOR ASSEMBLY
	5313210401	COVER
	5332224100	MOTOR BELT GRINDER
001	5332172500	COVER
002	5332172400	COVER
004	7313224471	CLOSURE
005	5332172700	SIDE LEFT
006	5932113500	KNOB
007	5532146600	TANK
008	5332172800	REAR PANEL
009	5332172600	SIDE RIGHT
010	5932113100	CONTROL PANEL
011	V1000	SEE TECHNICAL INFORMATION
012	7313220631	DOOR ASSY
013	5332142600	HOOK
014	5332145600	COVER
015	7332165800	TANK
016	5332171900	PROFILE
017	6032105000	CUP PLATE
018	5332169700	TRAY
019	5332225800	BOTTOM
020	5332266300	FLOAT
021	5332107900	MEASURING SPOON
027	5532118000	TUBE FEP DI2-DE4 L=230 2BUSHES
028	6132101300	CLIP
030	5032513900	TCO
031	5332142200	SUPPORT
032	5132104100	MICROSWITCH
033	6132104700	SPRING
034	5217100200	SENSOR NTC
035	7313219431	VALVE
036B	5232109800	POWER BOARD

DE'LONGHI "INT" EAM3400.S

Pos.	Code	Description
037	5332159800	SUPPORT
038	5132106900	PUMP
039	5232103200	PROTECTOR
040	5513212881	TUBE PTFE DI2-DE4 L=270 2BUSHES
041	7313216621	TAP
042	5532125700	KNOB
043	5113210421	SPRING MICROSWITCH
044	5232114200	CONTROL BOARD
045	5313217761	O-RING
046	533135	O-RING
047	5332113800	TUBE LOWER
048	5332172100	PUSH BUTTON
049	5332229600	COVER
050	5113210421	SPRING MICROSWITCH
050A	5132105400	MICROSWITCH
051	VT205651	FILTER
052	VH000	SEE TECHNICAL INFORMATION
053	5232110100	HALL SENSOR
054	5213214671	FLOWMETER
055	5232104600	SENSOR REED
062B	7332203600	COMPLETE GRINDER
063	5313217751	O-RING
064	7332182500	GENERATOR
065	5332184900	PIN
066	5332144900	GASKET
067	5332139200	FILTER
068B	7332167200	TRANSMISSION KIT
069	5332148400	VALVE
070	6132106900	SPRING
071	5332142300	BUSH
072	5332142400	BUSH
073	5332170600	BELT

DE'LONGHI "INT" EAM3400.S

Pos.	Code	Description
074	5332149100	O-RING
075	6132103500	SPRING
076	5332139800	LEVER
077	7332183900	DIFFUSER KIT
078	9812631250	SCREW
079	6032105300	DIFFUSER
080	5332149100	O-RING
081	5332139600	STOPPER
082	5332139500	VALVE
083	6132106700	SPRING
084	5332140300	PISTON
088B	5213212381	BOARD
089	5332171500	COVER
090	534848	SUPPORT
091	7332166600	SLIDER
092	5232105000	TCO
093	5232104500	THERMOSTAT
094	5213210171	SOLENOID VALVE
095	5532120000	HEATING Element
096	5332170800	GLASS
097	7132102500	FRONT PANEL
098	5332170900	KEYBOARD
099	5332170700	COVER
100	5332180200	TEMPLATE
101	5932113600	PUSH BUTTON
102	5932113700	PUSH BUTTON
103	5932113300	PUSH BUTTON
104	5932113200	PUSH BUTTON