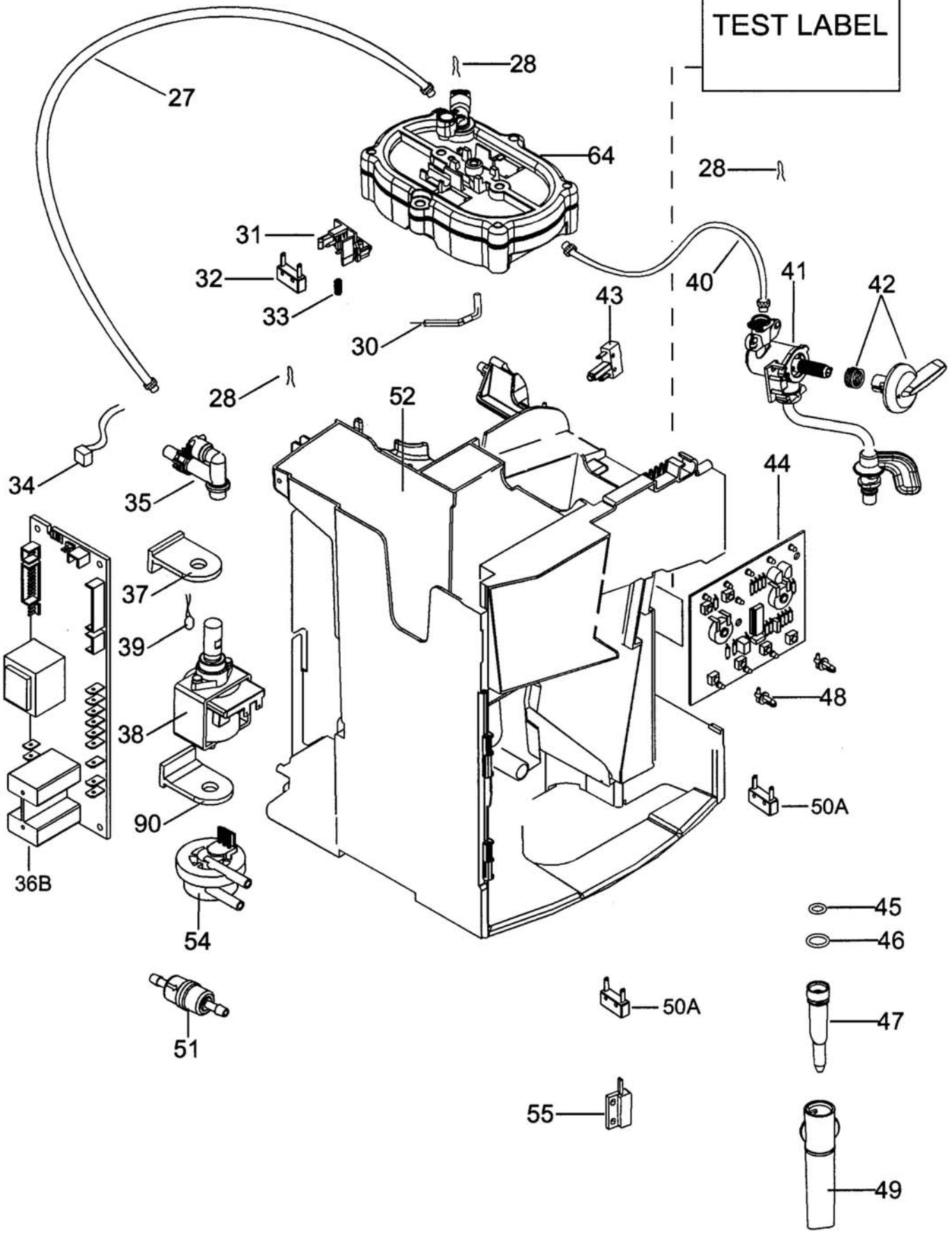


TEST LABEL



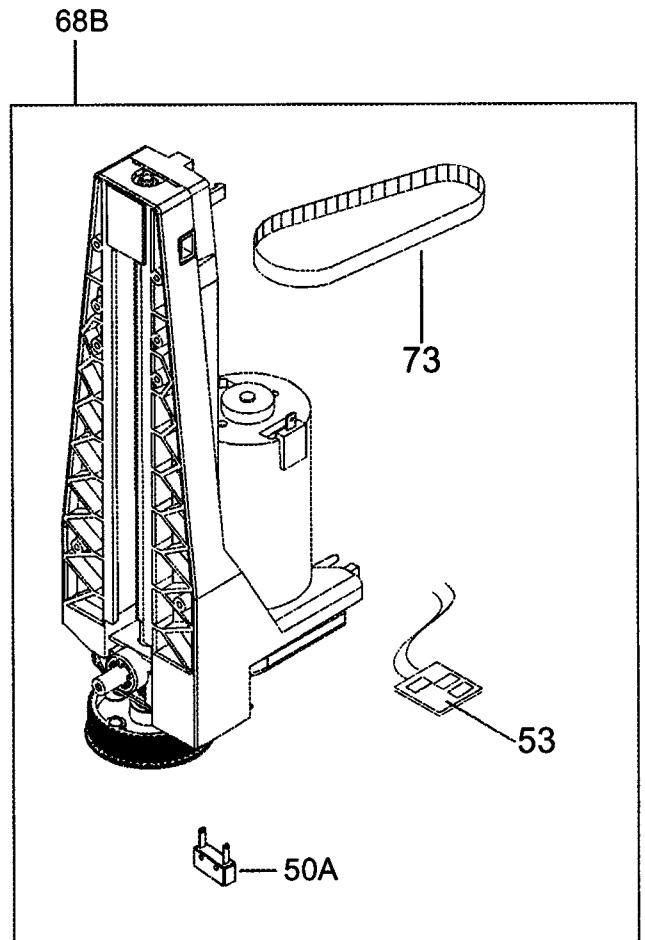
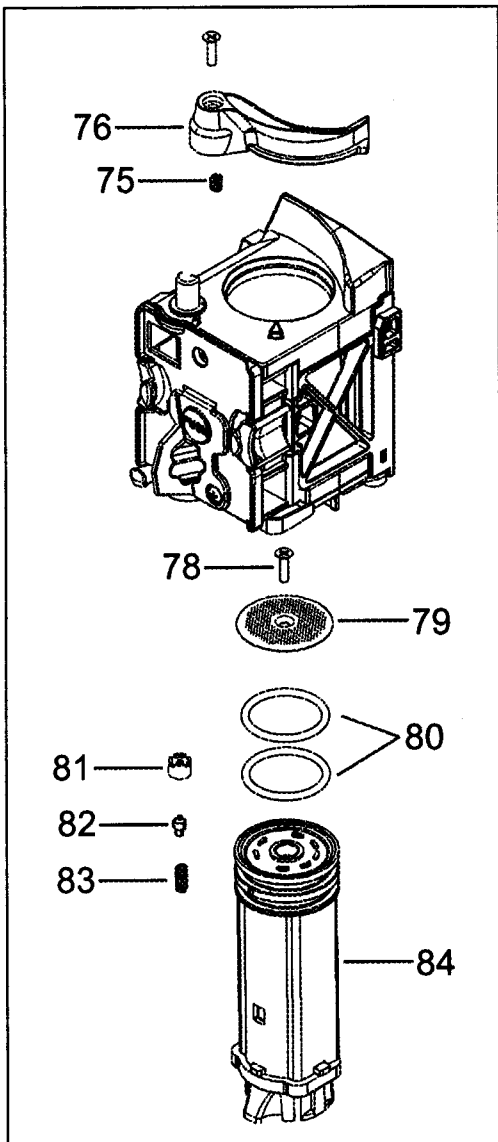
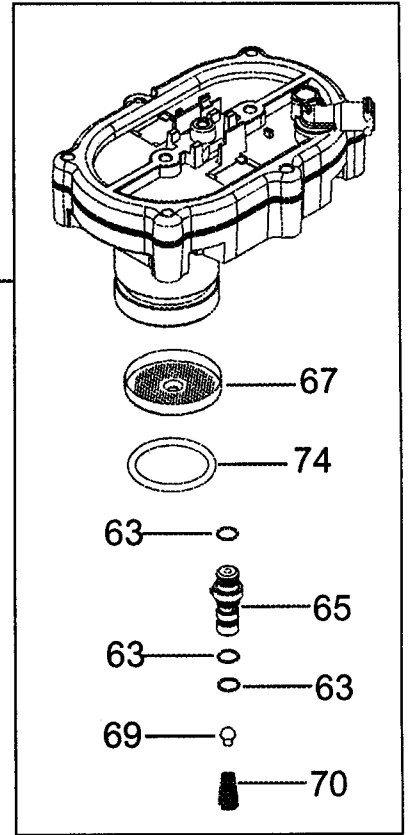
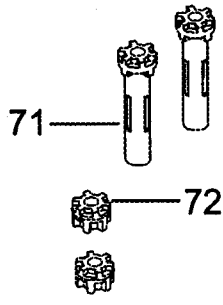
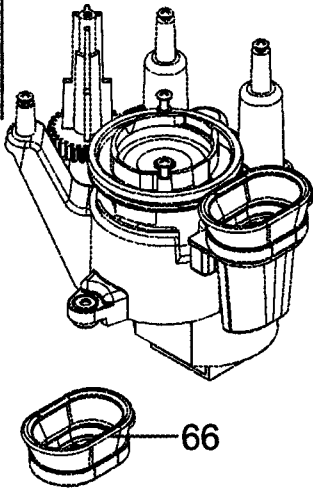
TEST LABEL



TO PLACE AN ORDER CHECK THE LABEL

CCCCC **EE** SSSSS PPPP

AB=62B



DE'LONGHI "INT" EAM2600 CAFFE CORSO

Pos.	Code	Description
	5332164700	RUNNER FRAME
	5313210401	COVER
	7313217261	MOTOR ASSEMBLY
	5332224100	MOTOR BELT GRINDER
01	5332143500	COVER
02	5332143400	COVER
04	5332262800	CLOSURE
05	5332143900	SIDE LEFT
06	5932113500	KNOB
07	5532146600	TANK
08	5332168900	REAR PANEL
09	5332143800	SIDE RIGHT
10	5932119500	FRONT PIECE
11	V1000	SEE TECHNICAL INFORMATION
12	7313220531	DOOR ASSY
13	5332142600	HOOK
14	5332145600	COVER
15	7313228241	TANK
16	5332153300	PROFILE
17	5332221600	CUP PLATE
18	5332144200	TRAY
19	5332225000	BOTTOM
20	5332266300	FLOAT
21	5332169200	MEASURING SPOON
22	5332221100	KNOB
23	5332219300	CONTROL PANEL
27	5532118000	TUBE FEP DI2-DE4 L=230 2BUSHES
28	6132101300	CLIP
30	5032513900	TCO
31	5332142200	SUPPORT
32	5132104100	MICROSWITCH
33	6132104700	SPRING

DE'LONGHI "INT" EAM2600 CAFFE CORSO

Pos.	Code	Description
34	5217100200	SENSOR NTC
35	7313219431	VALVE
36B	5232109400	POWER BOARD
37	5332159800	SUPPORT
38	5132106900	PUMP
39	5232103200	PROTECTOR
40	5513213761	TUBE PTFE DI2-DE4 L=190 2BUSHES
41	7313216621	TAP
42	5513216371	KNOB
43	5113210421	SPRING MICROSWITCH
44	5232110000	CONTROL BOARD 11 PIN
45	5313217761	O-RING
46	533135	O-RING
47	5332113800	TUBE LOWER
48	5332249000	EXTENSION
49	5332229600	COVER
50	5113210421	SPRING MICROSWITCH
50A	5132105400	MICROSWITCH
51	VT205651	FILTER
52	VH000	SEE TECHNICAL INFORMATION
53	5213213971	HALL SENSOR
54	5213214671	FLOWMETER
55	5232104600	SENSOR REED
62B	7332203600	COMPLETE GRINDER
63	5313217751	O-RING
64	7332182500	GENERATOR
65	5332184900	PIN
66	5332144900	GASKET
67	5332139200	FILTER
68B	7332167200	TRANSMISSION KIT
69	5332148400	VALVE
70	6132106900	SPRING

DE'LONGHI "INT" EAM2600 CAFFE CORSO

Pos.	Code	Description
71	5332142300	BUSH
72	5332142400	BUSH
73	5332170600	BELT
74	5332149100	O-RING
75	6132103500	SPRING
76	5332139800	LEVER
77	7332183900	DIFFUSER KIT
78	9812631250	SCREW
79	6032105300	DIFFUSER
80	5332149100	O-RING
81	5332139600	STOPPER
82	5332139500	VALVE
83	6132106700	SPRING
84	5332140300	PISTON
88B	5213212381	BOARD
89	5332147500	COVER
90	534848	SUPPORT
91	7332166600	SLIDER