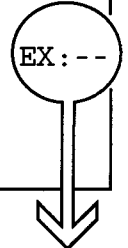
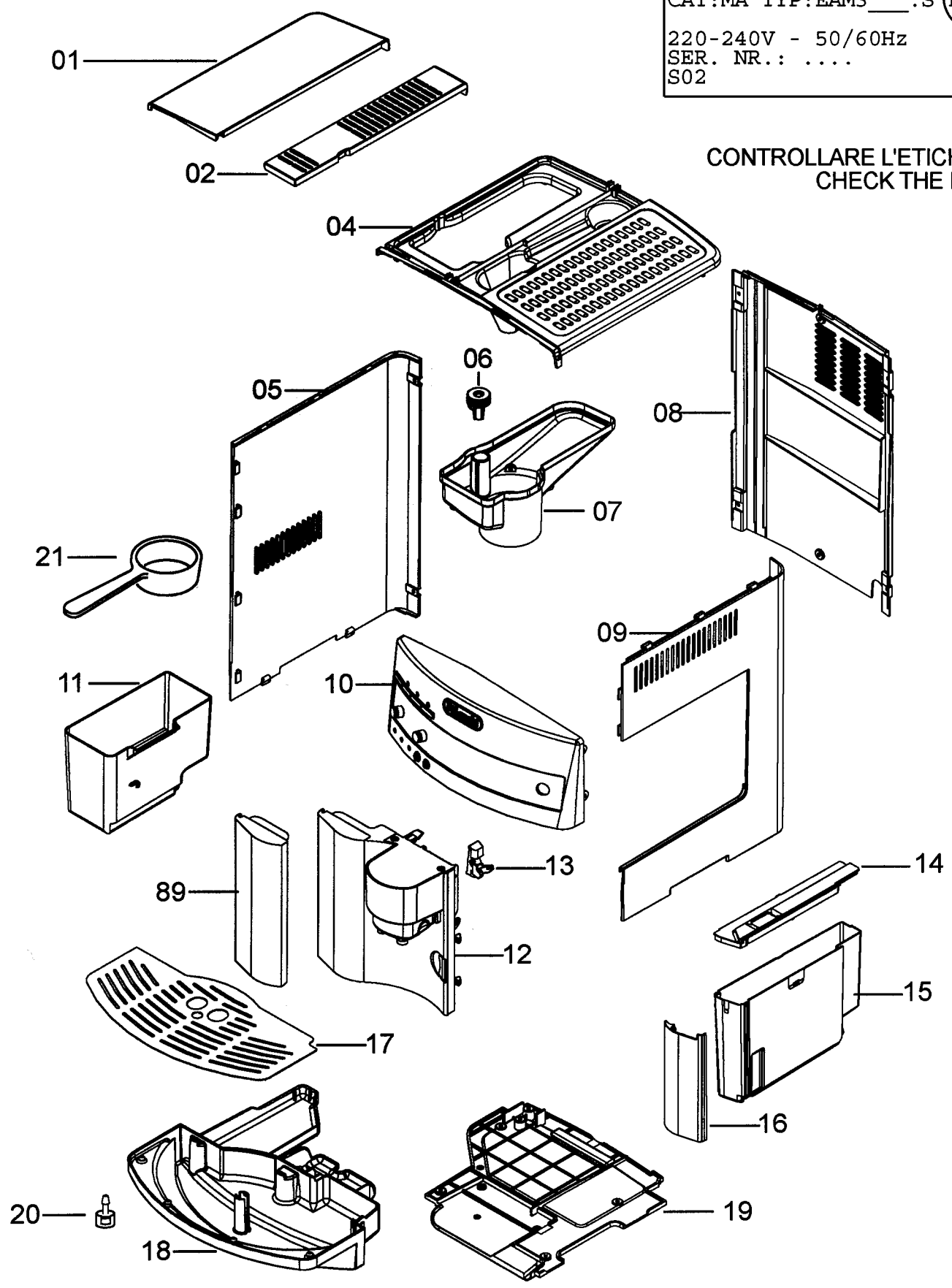


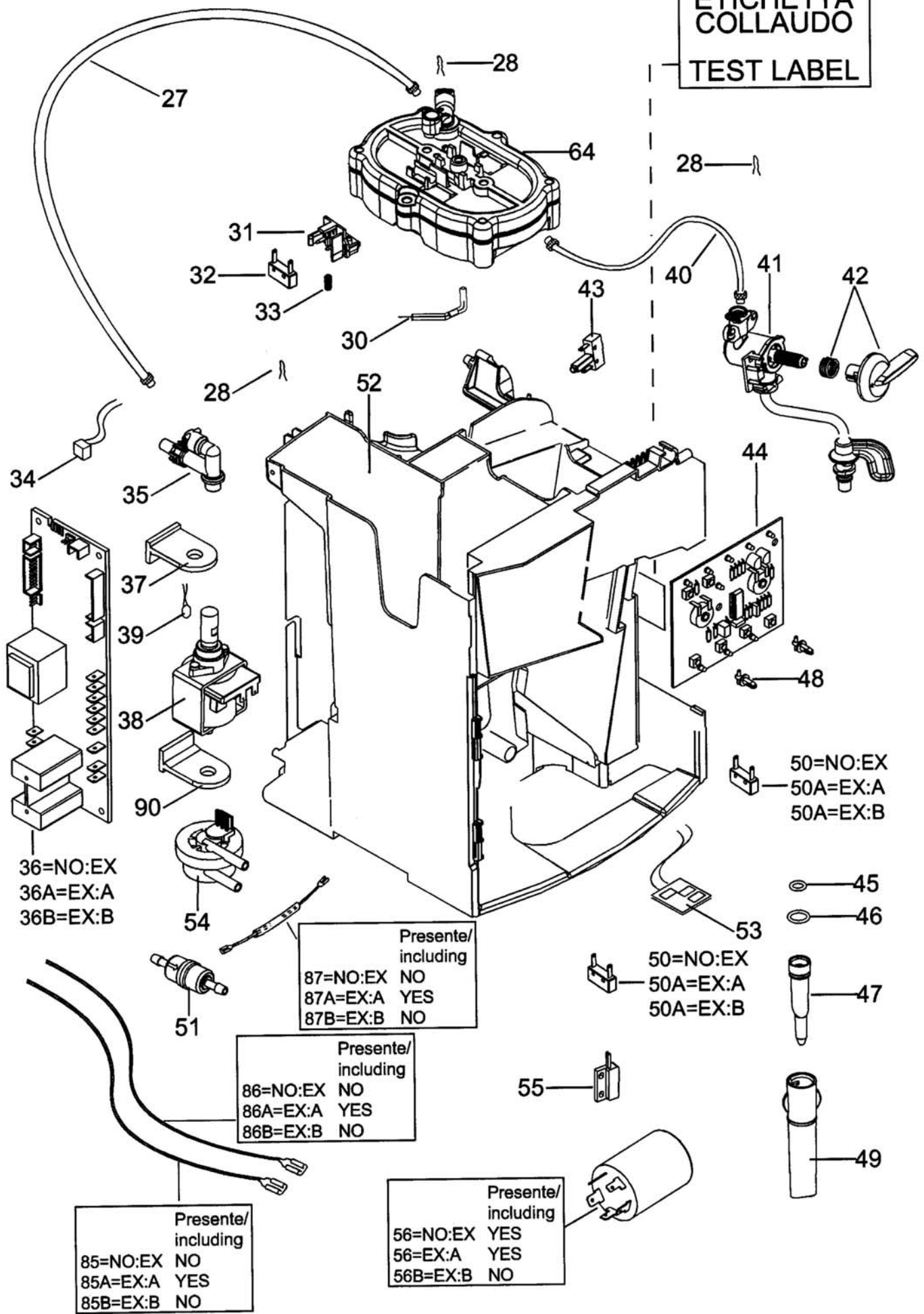
**De'Longhi** De'Longhi SpA  
TREVISO-ITALIA  
Made in Italy  
CAT:MA TYP:EAM3 \_\_.S EX:--  
220-240V - 50/60Hz  
SER. NR.: ....  
S02



CONTROLLARE L'ETICHETTA  
CHECK THE LABEL



**ETICHETTA  
COLLAUDO**  
**TEST LABEL**



36=NO:EX  
36A=EX:A  
36B=EX:B

Presente/ including	
85=NO:EX	NO
85A=EX:A	YES
85B=EX:B	NO

Presente/ including	
86=NO:EX	NO
86A=EX:A	YES
86B=EX:B	NO

Presente/ including	
87=NO:EX	NO
87A=EX:A	YES
87B=EX:B	NO

Presente/ including	
56=NO:EX	YES
56=EX:A	YES
56B=EX:B	NO

50=NO:EX  
50A=EX:A  
50A=EX:B

50=NO:EX  
50A=EX:A  
50A=EX:B

45  
46

47

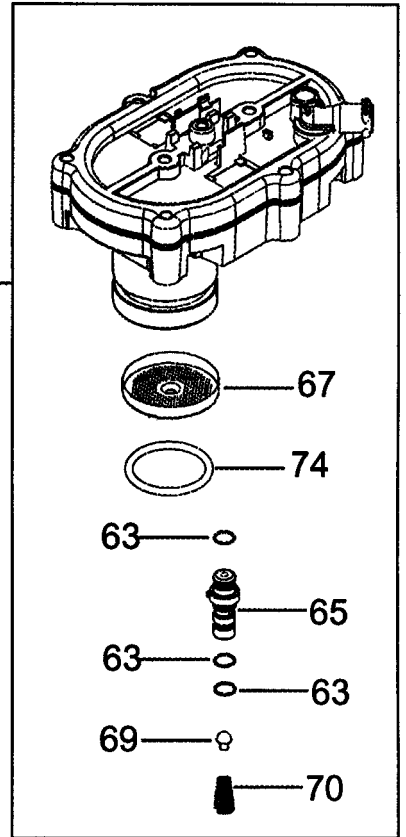
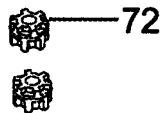
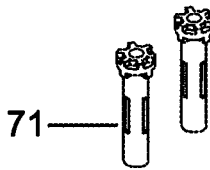
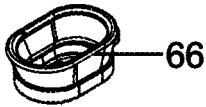
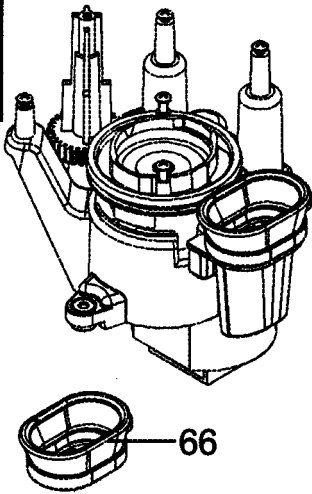
49

ETICHETTA  
COLLAUDO  
TEST LABEL

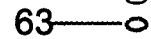
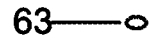
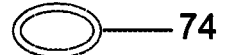
CCCC **EE** SSSSS PPPP

**PER ORDINARE CONTROLLARE L'ETICHETTA  
TO PLACE AN ORDER CHECK THE LABEL**

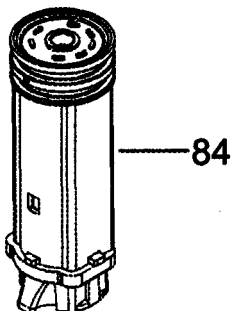
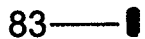
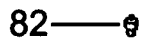
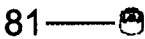
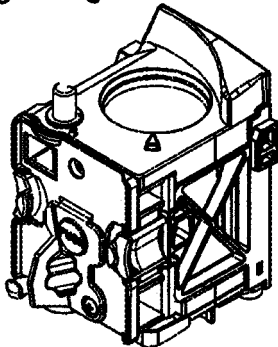
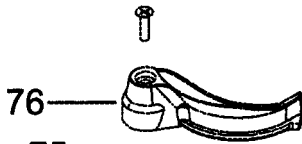
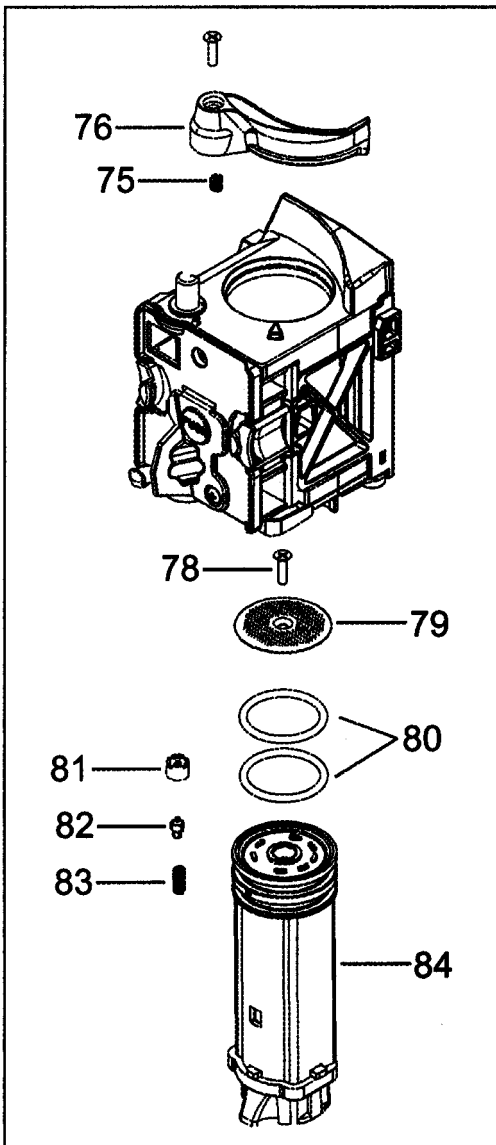
**AA=62  
AB=62B**



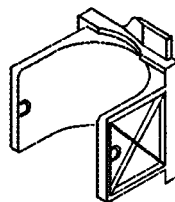
64



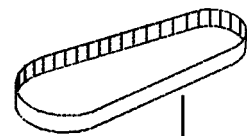
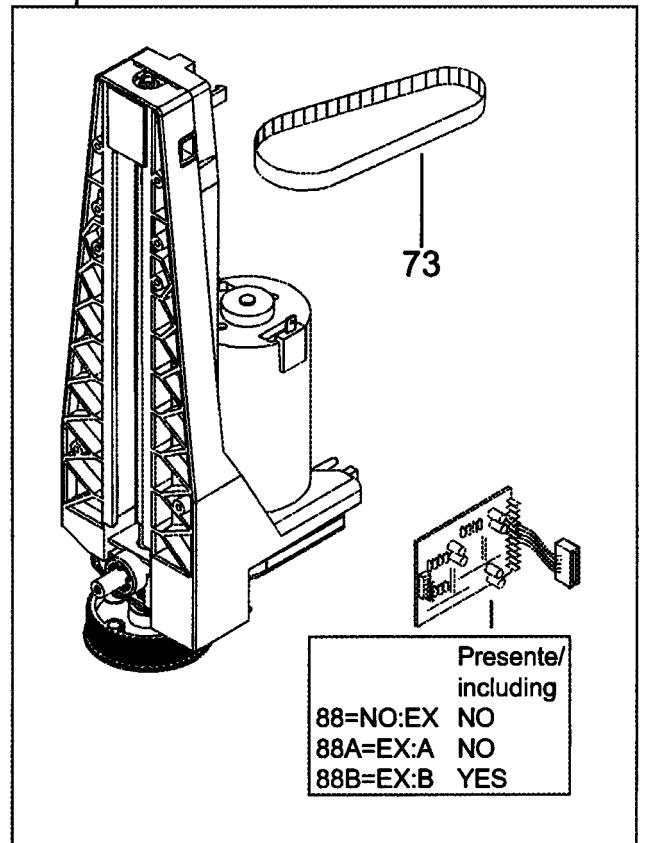
68=NO:EX  
68=EXA  
68B=EX:B



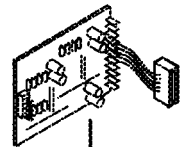
77



91



73



	Presente/ including
88=NO:EX	NO
88A=EX:A	NO
88B=EX:B	YES

Position	Code	description
	5313215891	GOMMINO ANTIMACCH GREY(EPDM70Z 70SH)MCSA
	7313217261	MOTOR ASSEMBLY
	5032514800	WIRING FLOWMETER L470
	5313210401	COVER-SAVE FINGERS B BLACK
	5332224100	MOTOR BELT GRINDER
	5332164700	RUNNER FRAME
	6913210021	E.VALVE BRACKET 2WAY(S.VAP) DEGREASED
	6913210031	E.VALVE BRACKET 3WAY DEGREASED MCSA
01	5332143500	COVER
02	5332143400	COVER
04	5332262800	CLOSURE
05	5332143900	SIDE LEFT
06	5913210471	KNOB
07	5532146600	TANK
08	5332168900	REAR PANEL
09	5332143800	SIDE RIGHT
10	7332172200	CONTROL PANEL ASSEMBLY
11	VI000	SEE TECNICAL INFORMATION
12	7313220621	DOOR ASSY
13	5332142600	HOOK
14	5332145600	COVER
15	7313228241	WATER TANK
16	5332153300	PROFILE
17	6032105000	CUP PLATE
18	5332144200	TRAY
19	5332225800	BOTTOM
20	5332266300	FLOAT
21	5332169200	MEASURING SPOON
27	7313285899	TUBE PTFE DI2-DE4 L=230 2BUSHES
28	6132101300	CLIP
30	5032513900	TCO
31	5332142200	SUPPORT
32	5132104100	MICROSWITCH
33	6132104700	SPRING
34	5217100200	SENSOR NTC
35	7313219431	VALVE

36B	5232109400	POWER BOARD
36	5232102900	POWER BOARD
36A	5232105200	POWER BOARD
37	5332225700	SUPPORTO
38	5113211281	PUMP
39	5232103200	PROTECTOR
40	5513213761	TUBE PTFE DI2-DE4 L=190 2BUSHES
41	7313216621	TAP
42	5513222451	KNOB
44	5232110000	CONTROL BOARD 11 PIN
45	5313217761	O-RING
46	533135	O-RING
47	5332113800	TUBE LOWER
48	5332146600	EXTENSION
49	5332229600	COVER
50A	5132105400	MICROSWITCH
50	5113210421	MICROSWITCH
51	5513220521	FILTER
53	5213213971	HALL SENSOR
54	5213214671	FLOWMETER
55	5232104600	SENSOR REED
56	5132104600	NOISE FILTER
62B	5513227971	COMPLETE GRINDER
62	IT0087	SEE TECHNICAL INFORMATION
63	5313217751	O-RING
64	5513227921	MECHANICS VALVE
65	5332184900	PIN
66	5332144900	GASKET
67	5332139200	FILTER
68B	5513227951	TRANSMISSION KIT
69	5332148400	VALVE
70	6132106900	SPRING
71	5332142300	BUSH
72	5332142400	BUSH
73	5313243071	BELT
74	5332149100	O-RING
75	6132103500	SPRING
76	5332139800	LEVER

77	5513227871	DIFFUSER KIT
78	9812631250	SCREW
79	6013213181	FILTER
81	5332139600	STOPPER
82	5332139500	VALVE
83	6132106700	SPRING
84	5332140300	PISTON
85A	5032515900	HEATING Element GREEN CABLE
86A	ES000	*NOT AVAILABLE
87	5132105000	FUSE
88B	5213212381	MOTOR BOARD
89	5332147500	COVER
90	534848	SUPPORT
91	7332166600	SLIDER