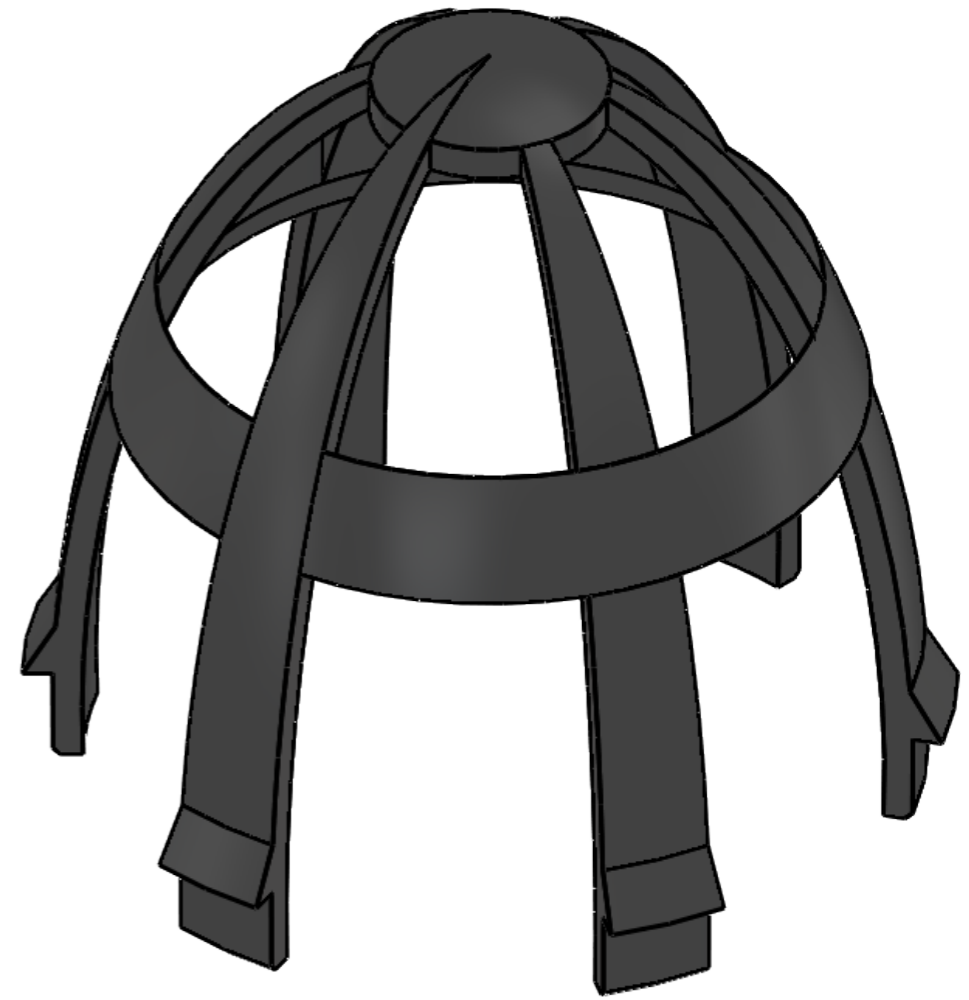
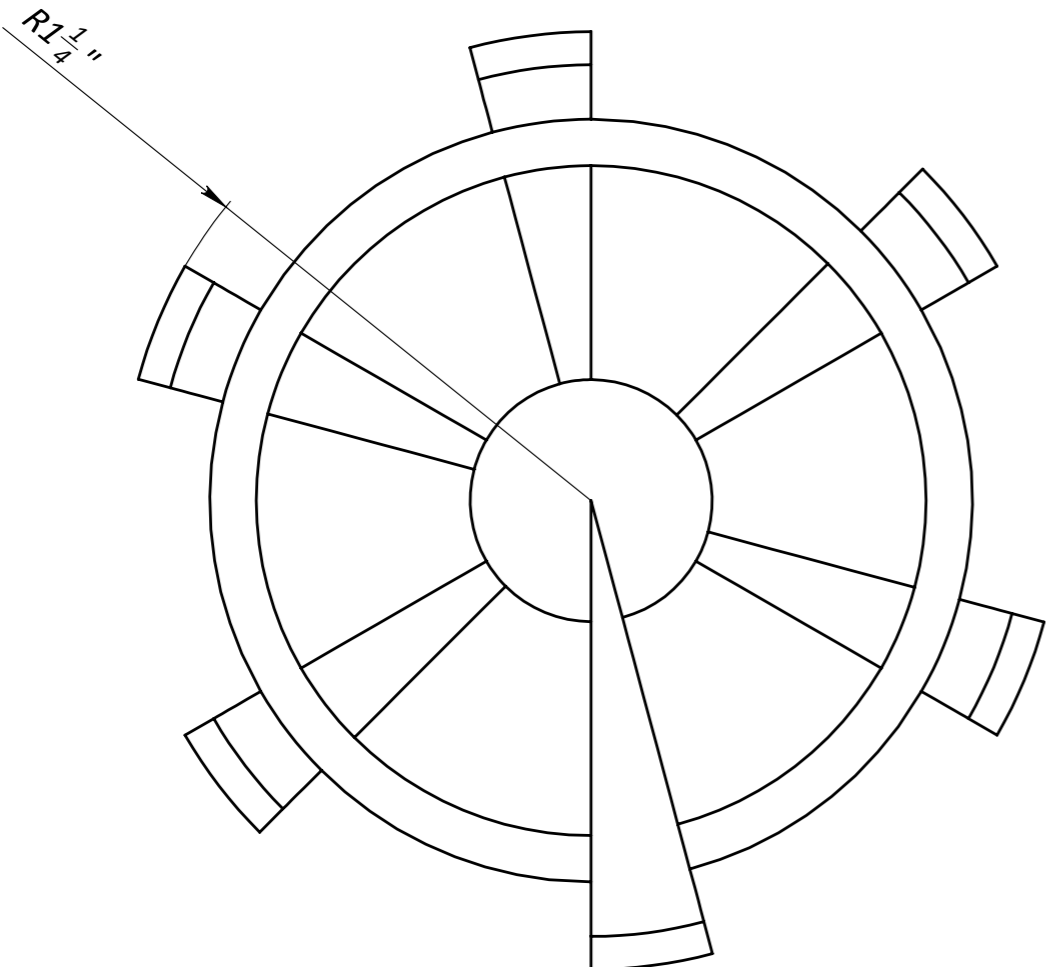
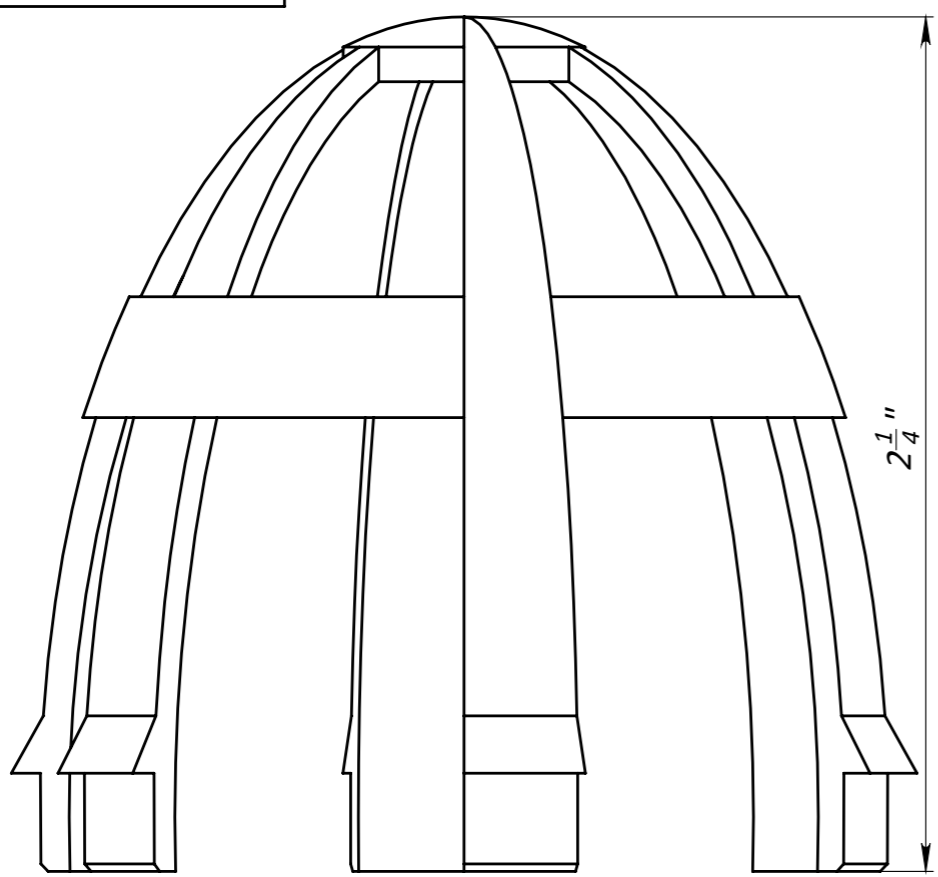


Primary Usage									
Reference No.									
Sign. and date									
Copy inv. No.									
Repl. Inv. No.									
Sign. and date									
Orig. Inv. No.									

Protective insert Spark



1. Deviation of the actual weight of the nominal can be up to 12%

						Art. 6823
					Protective insert Spark	
						Let. Weight (lb) Scale
					6823	0.011 2:1
					Sheet	Sheets 1
					Plastic	
					