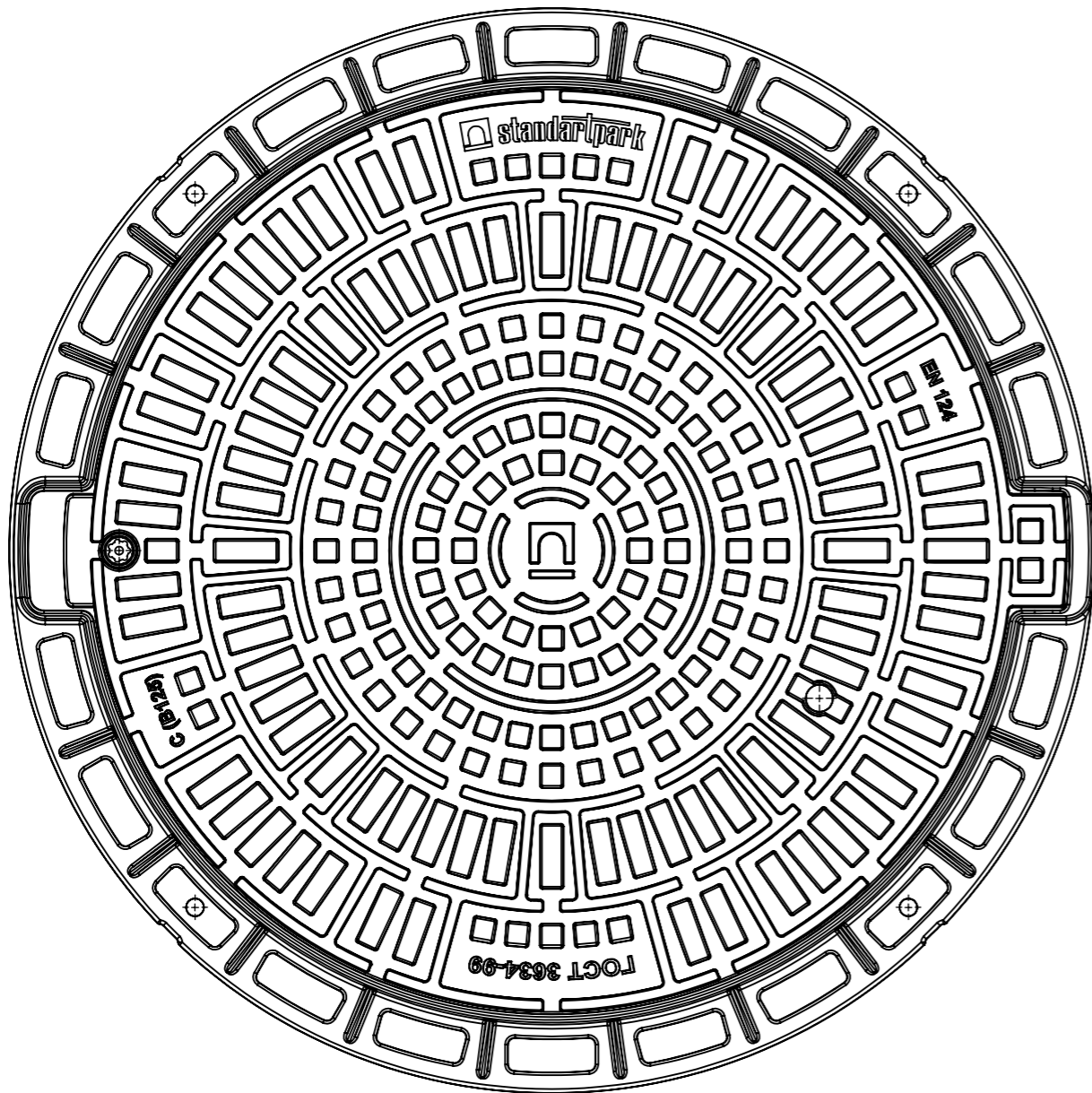
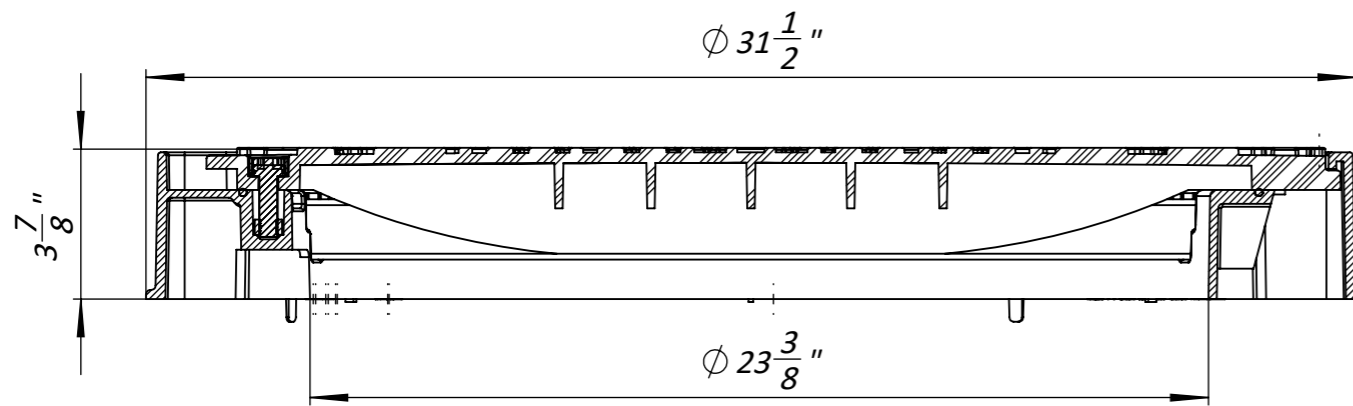


Primary Usage
Reference No.
Sign. and date
Copy inv. No.
Repl. Inv. No.
Sign. and date
Orig. Inv. No.

Plastic Manhole reinforced



No	Name	Colour
1	Plastic Manhole 35188-807L	Black
2	Plastic Manhole 35188-827L	Green
3	Plastic Manhole 35188-847L	Gray
4	Plastic Manhole 35188-877L	Orange

1. Deviator of the actual weight of the nominal can be up to 10%

Rev.	Sheet	Doc. No.	Sign.	Data	Art. 35188-807L			
					Plastic Manhole reinforced			
					35188-807L	Let.	Weight (lb)	Scale
							23.8	1:5
						Sheet	Sheets 1	
					Plastic			