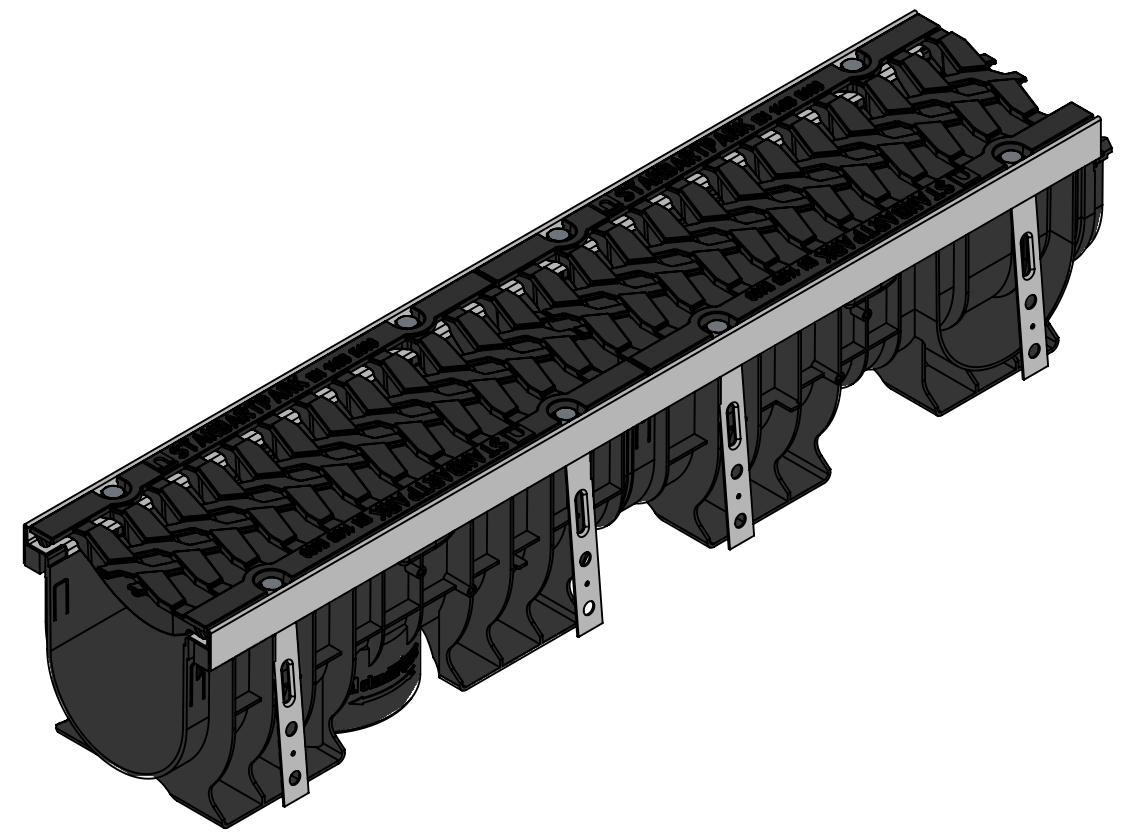
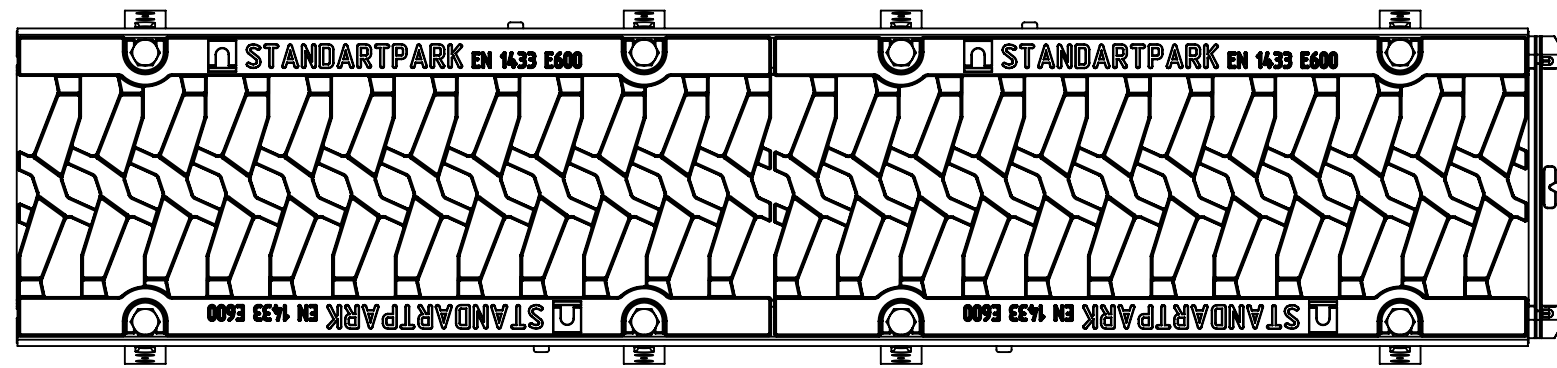
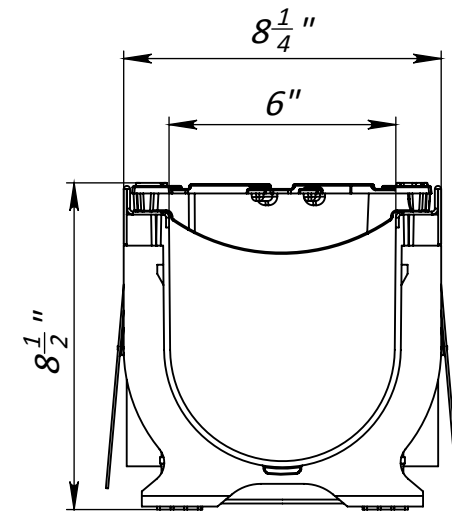
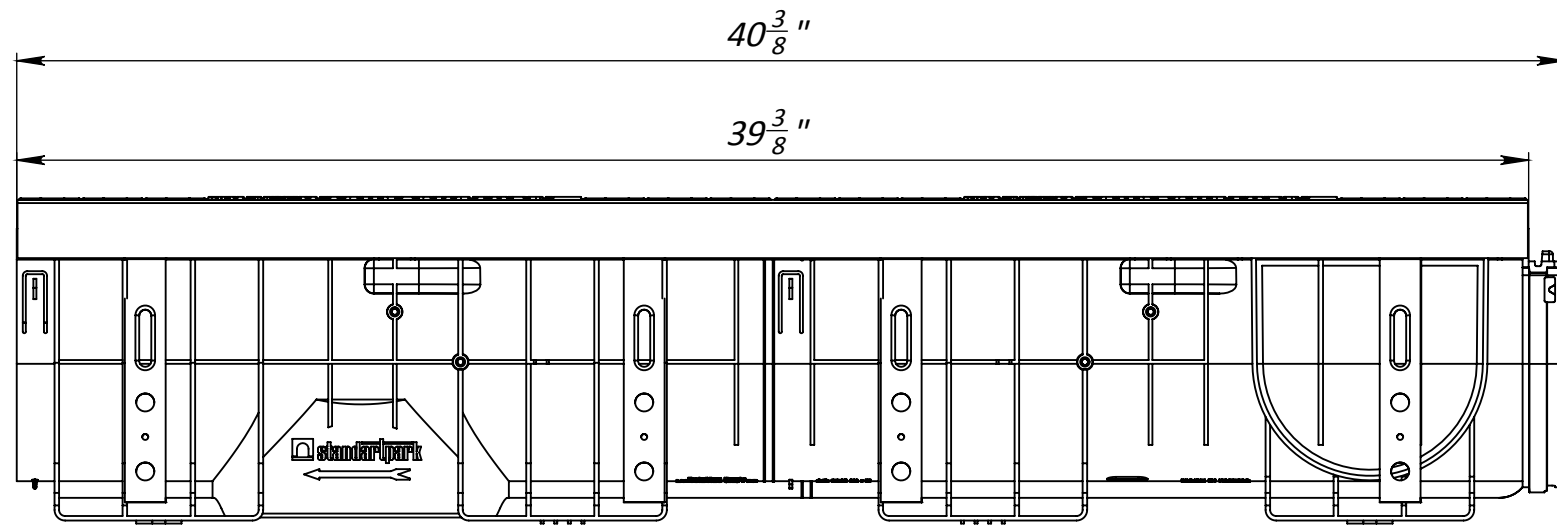


Primary Usage
Reference No.
Sign. and date
Copy inv. No.
Repl. Inv. No.
Sign. and date
Orig. Inv. No.

6" Plastic Drainage Set



- 1. Area of water intake slots 96 sq in
- 2. Deviation of the actual weight of the nominal can be up to 10%

					Art. 0824055			
					6" Plastic Drainage Set			
Rev.	Sheet	Doc. No.	Sign.	Data	0824055	Let.	Weight (lb)	Scale
				05.08.17			44.56	1:5
					Load Class E		Sheet	Sheets 1
					Plastic, Ductile Cast Iron, Steel			
					standartpark			