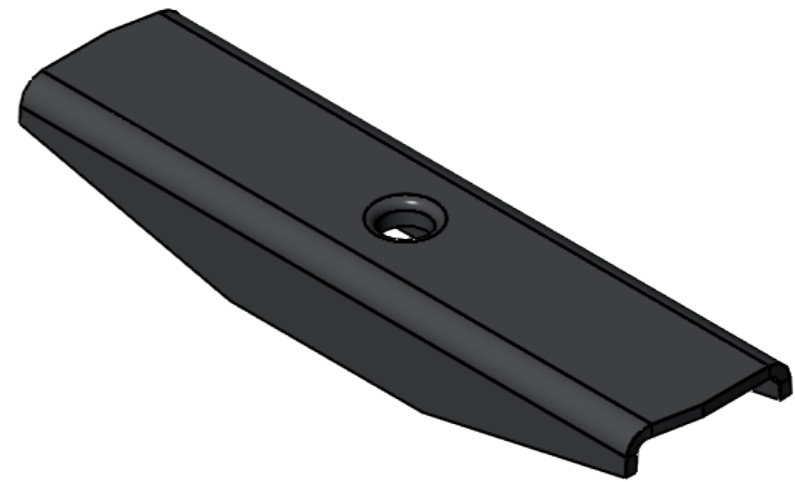
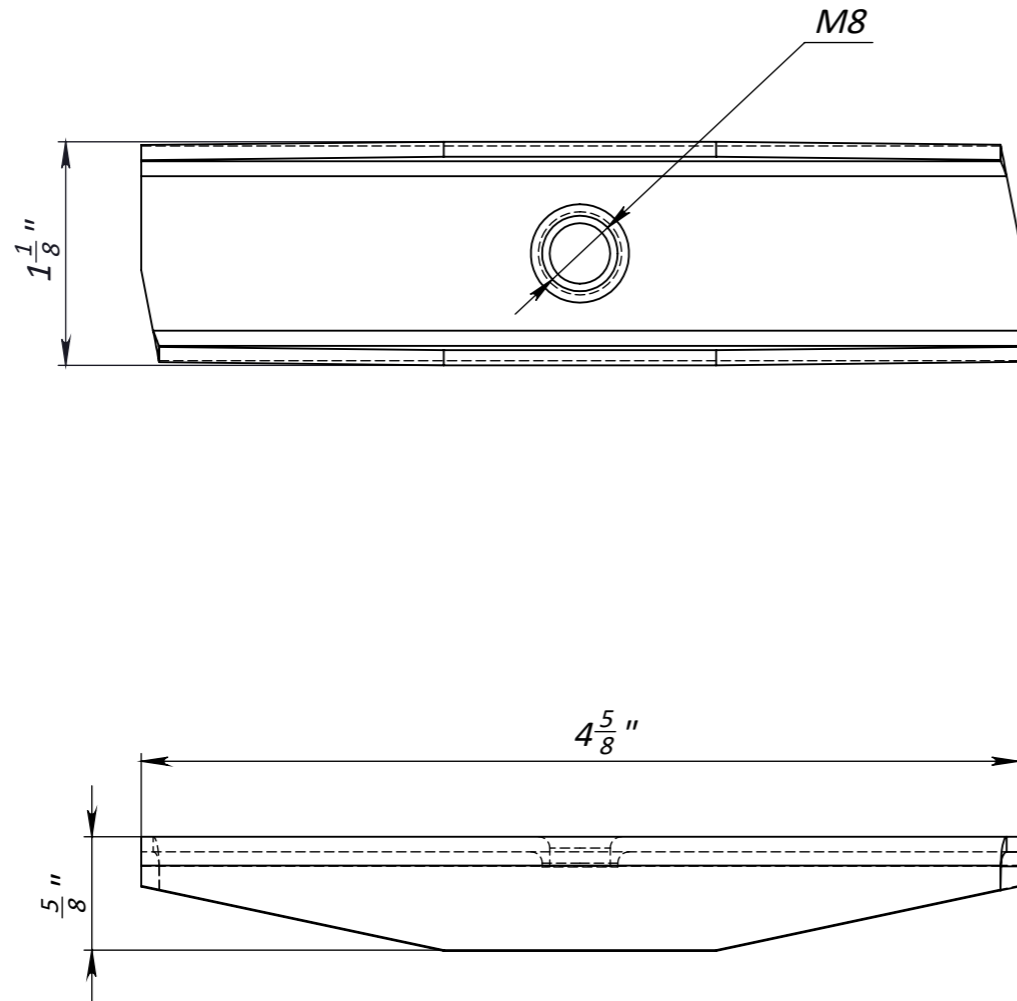


Orig. Inv. No.	Sign. and date	Repl. Inv. No.	Copy inv. No.	Sign. and date	Reference No.	Primary Usage
----------------	----------------	----------------	---------------	----------------	---------------	---------------

4" Steel Fastener



1. Deviation of the actual weight of the nominal can be up to 12%

						Art. 6100
					4" Steel Fastener	
					6100	Let. Weight (lb) Scale
Rev.	Sheet	Doc. No.	Sign.	Data		
				05.07.19		Sheet Sheets 1
					Steel	