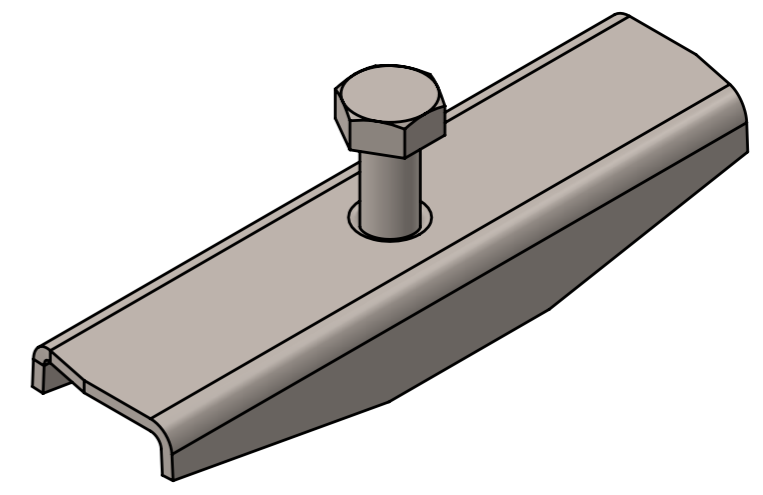
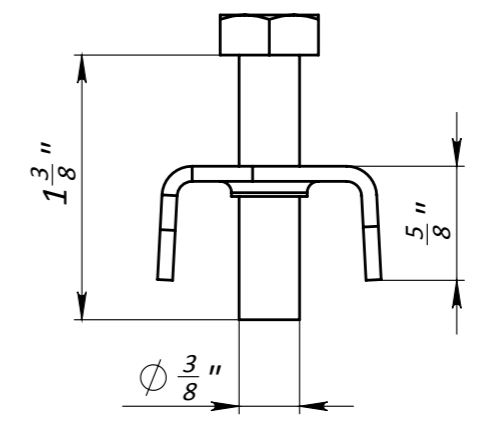
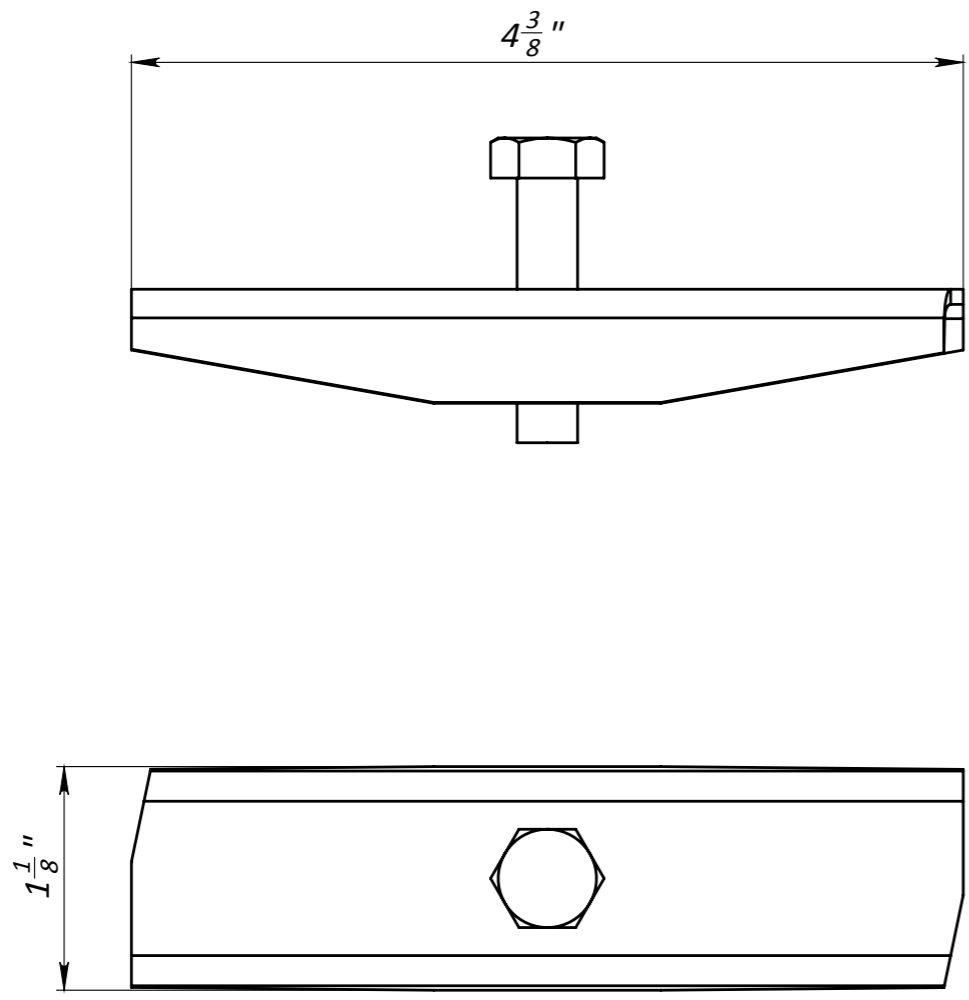


Primary Usage	Reference No.	Sign. and date	Copy inv. No.	Repl. Inv. No.	Sign. and date	Orig. Inv. No.
---------------	---------------	----------------	---------------	----------------	----------------	----------------

4" Stainless Steel Fastener



Deviation of the actual weight of the nominal can be up to 10%

					Art. 6200			
					4" Stainless Steel Fastener			
Rev.	Sheet	Doc. No.	Sign.	Data	6200	Let.	Weight (lb)	Scale
				11.09.18				1:1
					Sheet		Sheets 1	
					Stainless Steel			