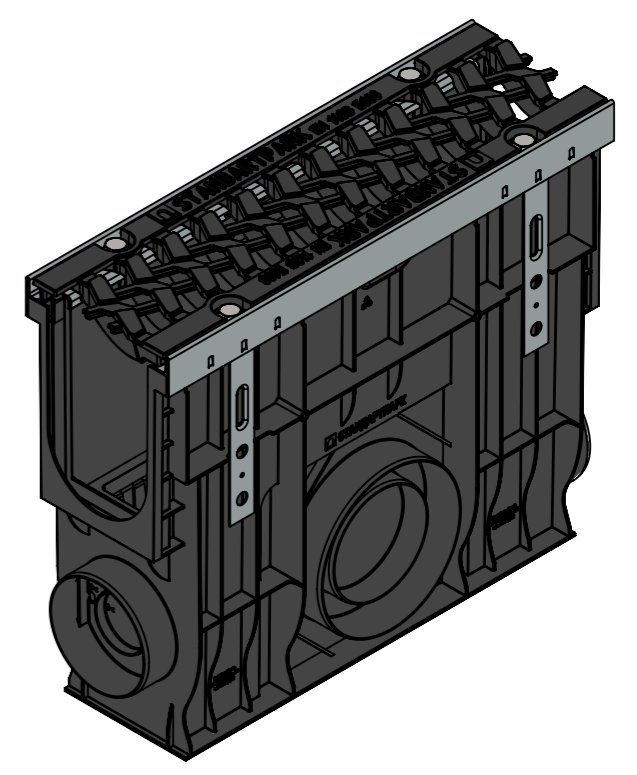
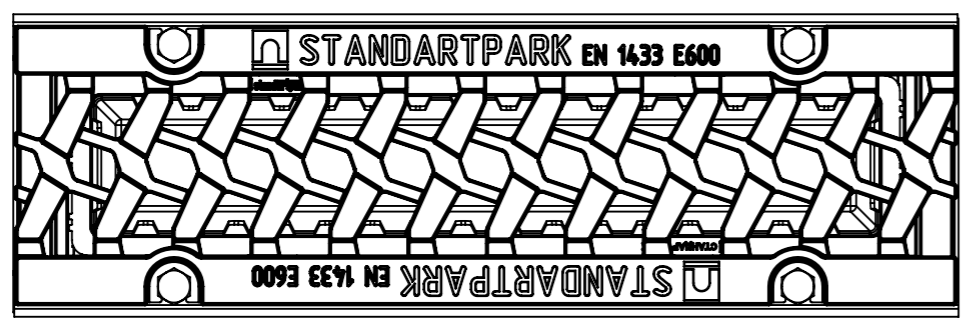
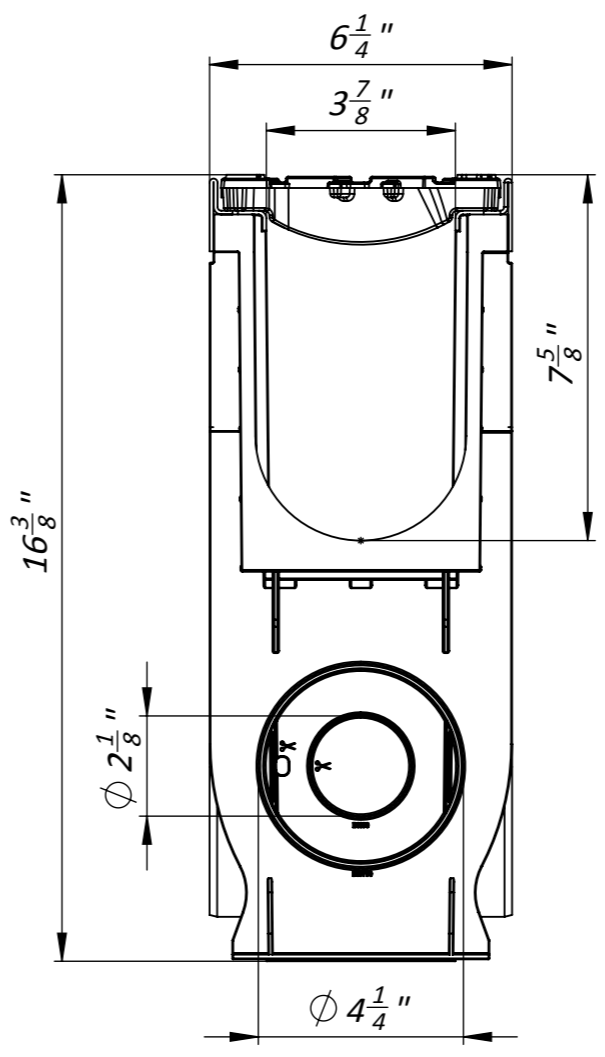
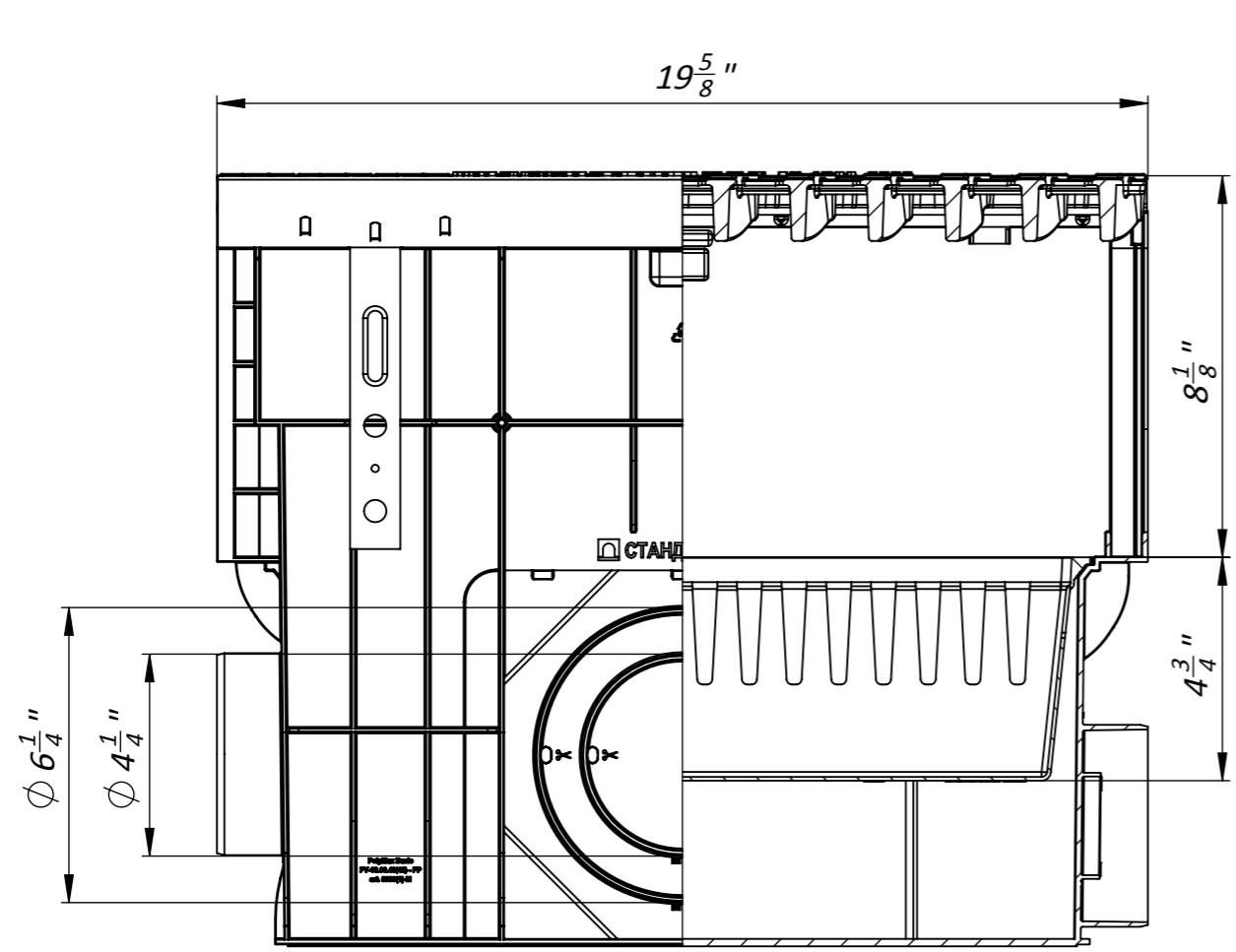


Primary Usage	Reference No.	Sign. and date	Copy inv. No.	Repl. Inv. No.	Sign. and date	Orig. Inv. No.
---------------	---------------	----------------	---------------	----------------	----------------	----------------

4" Plastic Sand Trap Drive



- 1. Area of water intake slots 37 sq in
- 2. Deviation of the actual weight of the nominal can be up to 10%

				Art. 0808055-M				
				4" Plastic Sand Trap Drive				
Rev.	Sheet	Doc. No.	Sign.	Data	0808055-M	Let.	Weight (lb)	Scale
				11.09.18			19.74	1:4
					Load Class E	Sheet	Sheets 1	
					Plastic, Steel, Ductile Cast Iron			