

Primary Usage

Reference No.

Sign. and date

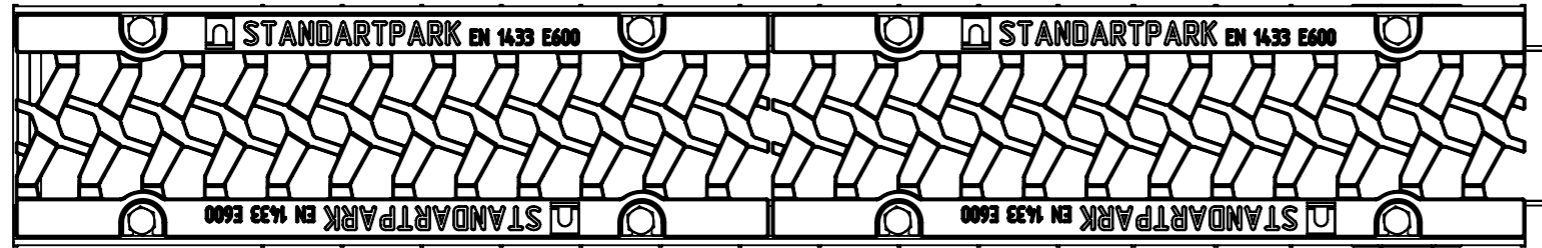
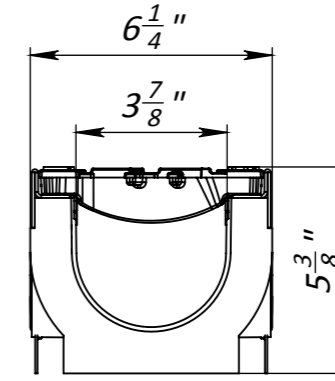
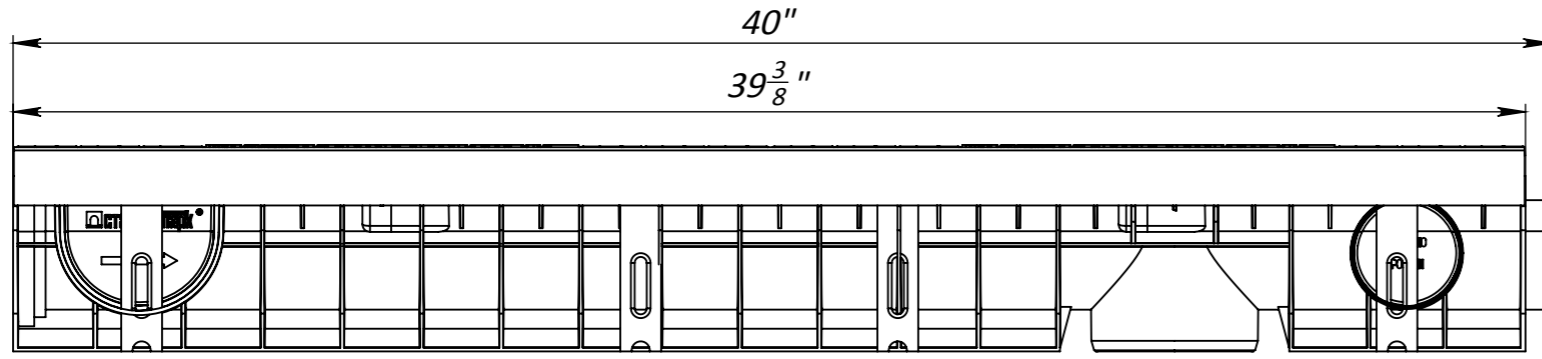
Copy inv. No.

Repl. Inv. No.

Sign. and date

Orig. Inv. No.

4" Plastic Drainage Set



- 1. Area of water intake slots 74 sq in
- 2. Deviation of the actual weight of the nominal can be up to 10%

					Art. 0802055				
					4" Plastic Drainage Set				
					0802055		Let.	Weight (lb)	Scale
							Load Class E		
							Sheet	Sheets 1	
					Plastic, Steel, Ductile Cast Iron		