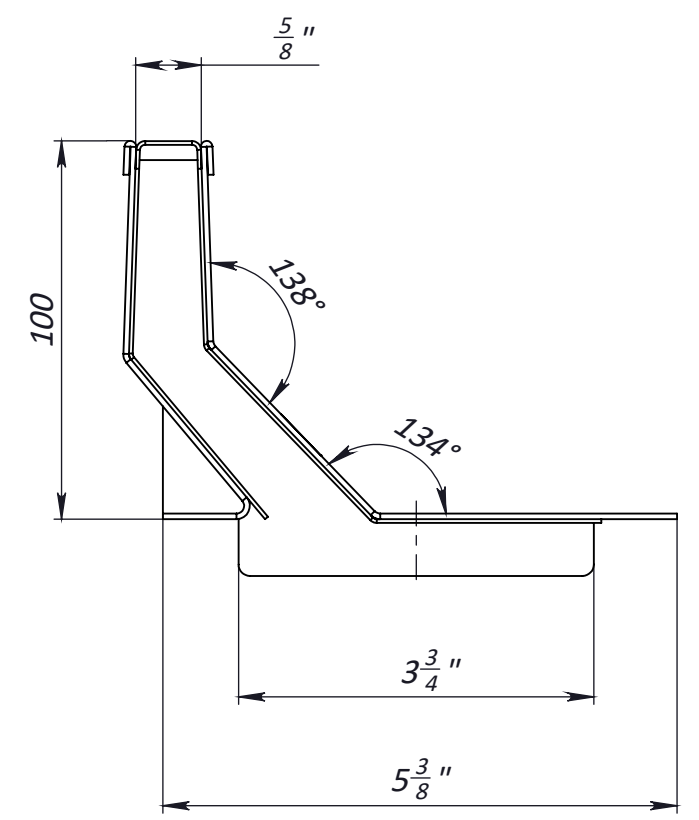
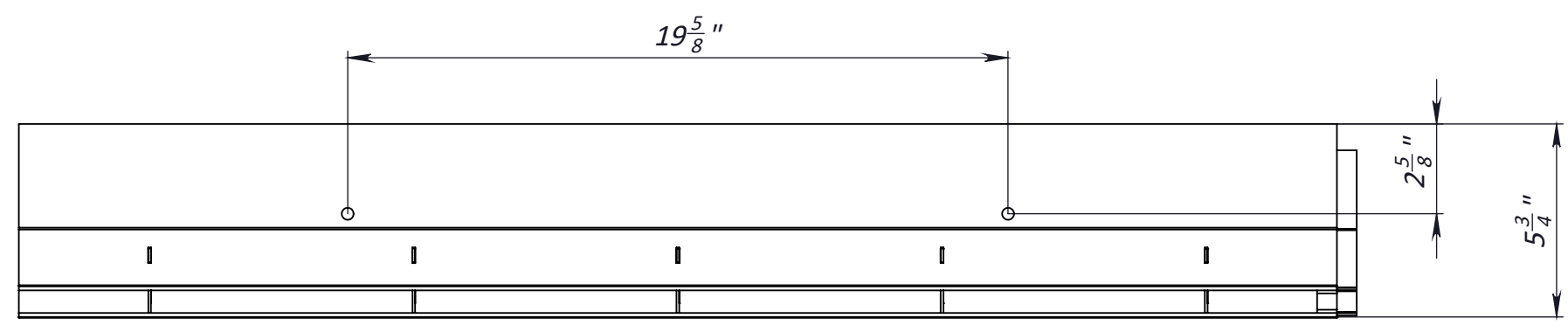
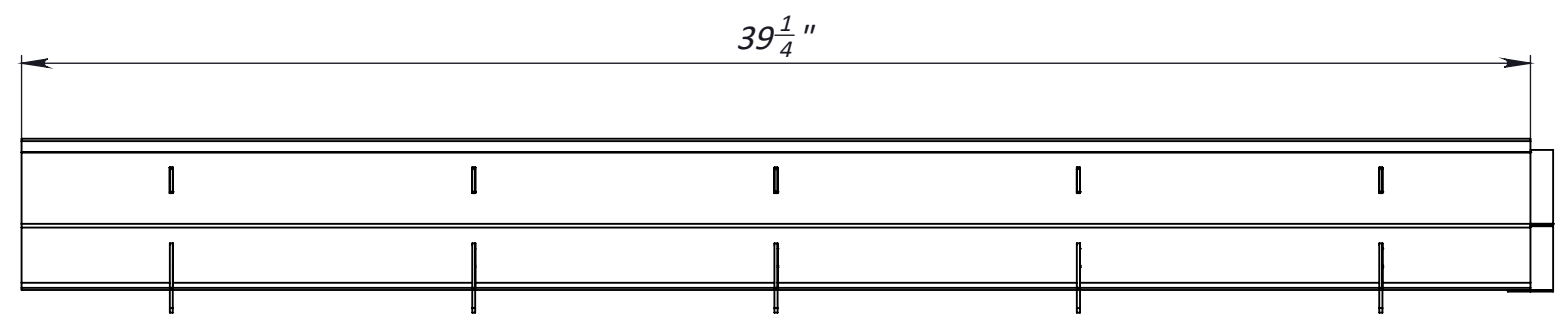
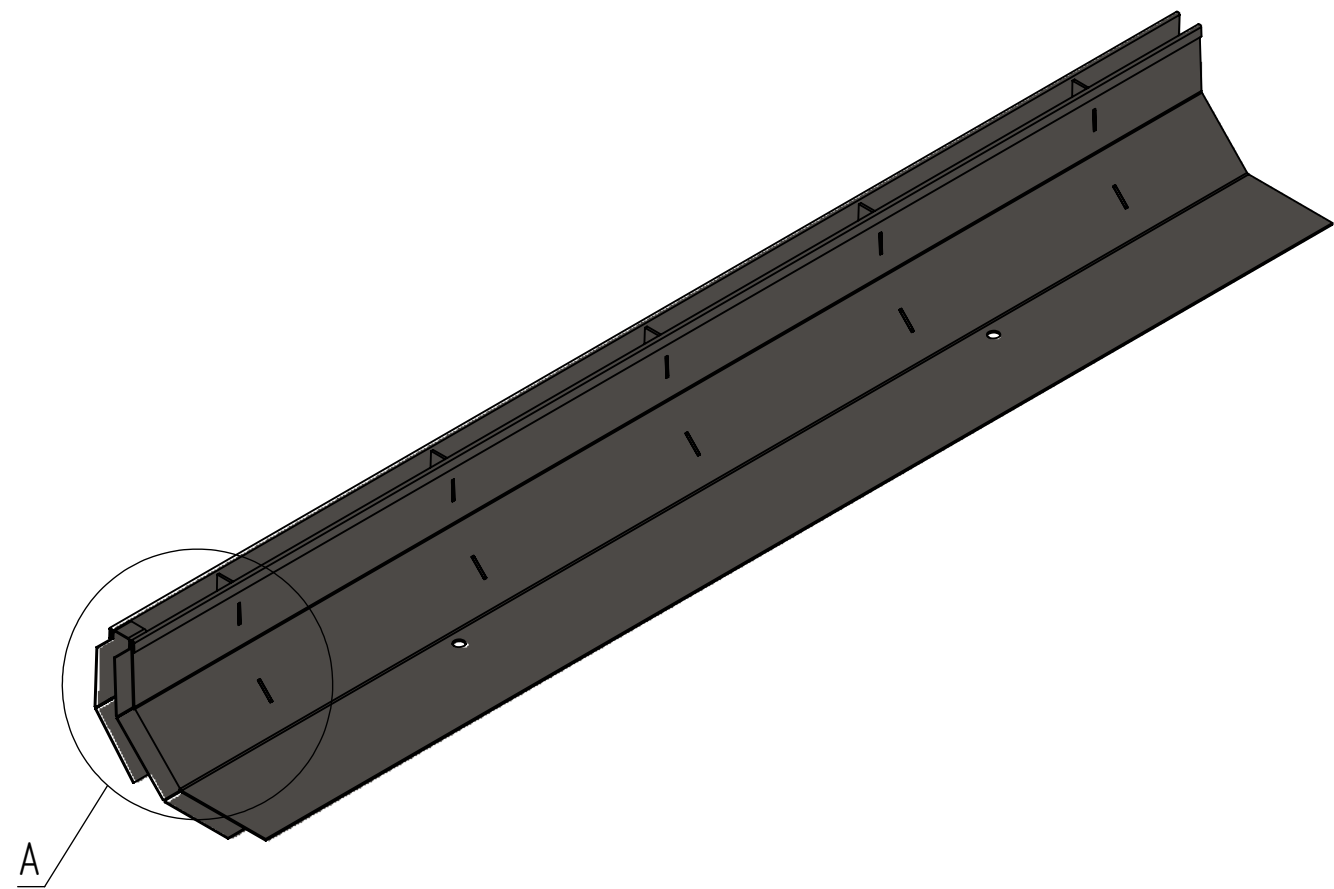
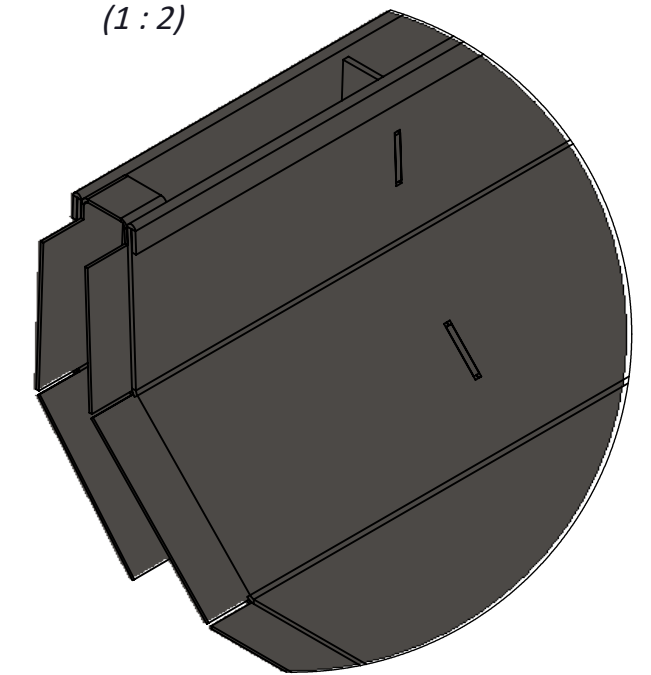


Primary Usage  
Reference No.  
Sign. and date  
Copy inv. No.  
Repl. Inv. No.  
Sign. and date  
Orig. Inv. No.

4" Galvanized Steel Wall Slot Drain



A  
(1:2)



- 1. Area of water intake slots 26 sq in
- 2. Deviation of the actual weight of the nominal can be up to 10%

					Art. 2017-1L-100			
					4" Galvanized Steel Wall Slot Drain			
Rev.	Sheet	Doc. No.	Sign.	Data	<b>2017-1L-100</b>	Let.	Weight (lb)	Scale
				11.09.18			4.51	1:10
						Sheet	Sheets 1	
					Galvanized Steel			