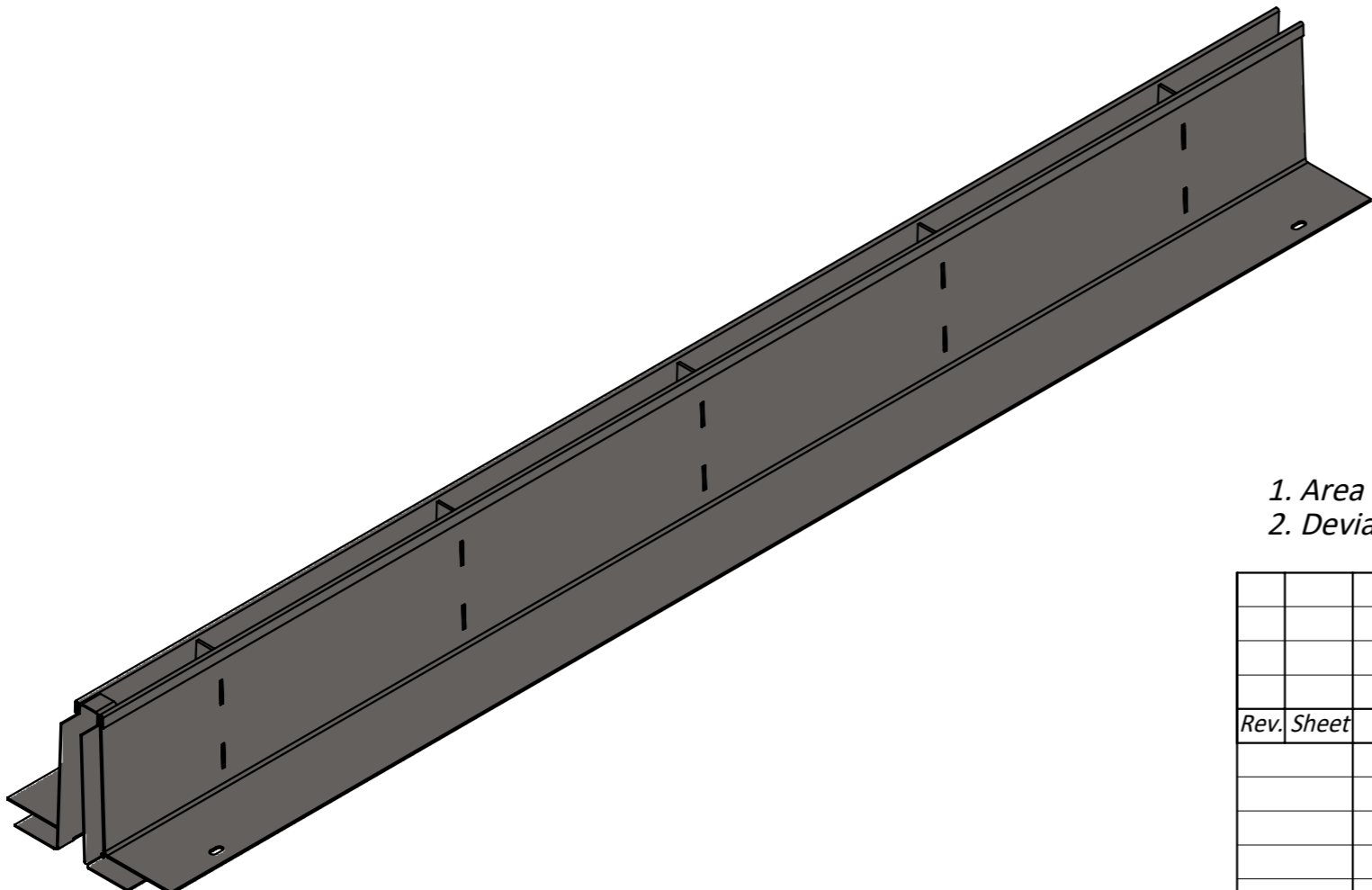
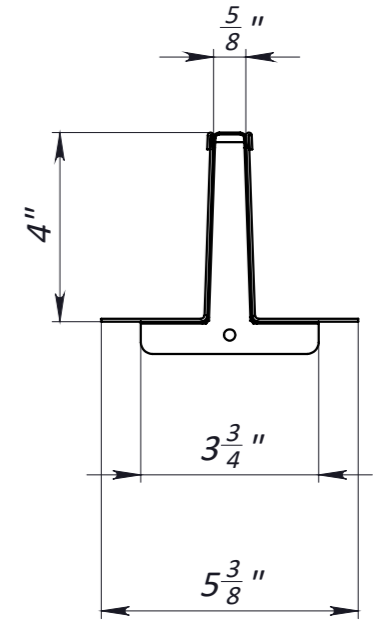
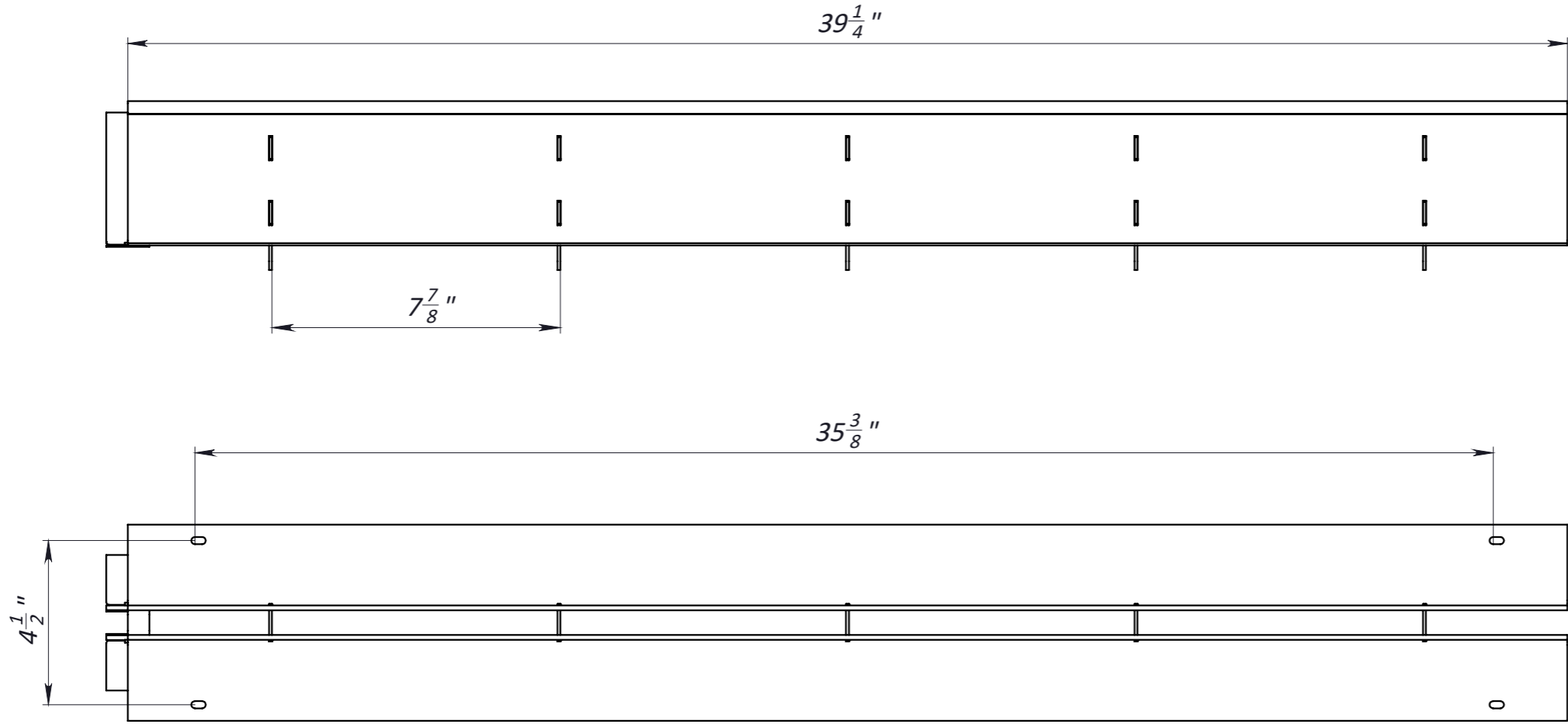



Primary Usage  
Reference No.  
Sign. and date  
Copy inv. No.  
Repl. Inv. No.  
Sign. and date  
Orig. Inv. No.

4" Galvanized Steel Slot Drain



- 1. Area of water intake slots 26 sq in
- 2. Deviation of the actual weight of the nominal can be up to 10%

|      |       |          |       |          |                                |      |   |       |
|------|-------|----------|-------|----------|--------------------------------|------|---|-------|
|      |       |          |       |          | Art. 2017-1T-100               |      |   |       |
|      |       |          |       |          | 4" Galvanized Steel Slot Drain |      |   |       |
| Rev. | Sheet | Doc. No. | Sign. | Data     | <b>2017-1T-100</b>             | Let. | Weight (lb)   | Scale |
|      |       |          |       | 11.09.18 |                                |      | 4.22  | 1:1   |
|      |       |          |       |          | Sheet                          |      | Sheets 1  |       |
|      |       |          |       |          | Galvanized Steel               |      |  |       |