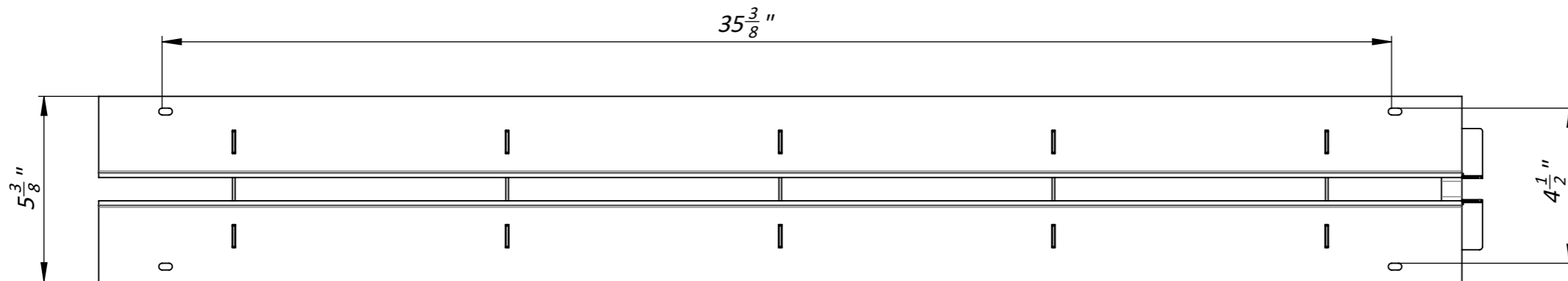
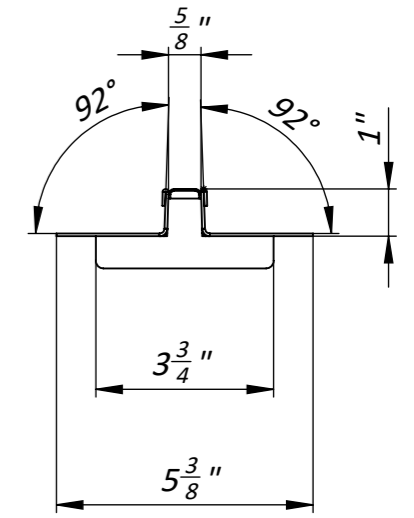
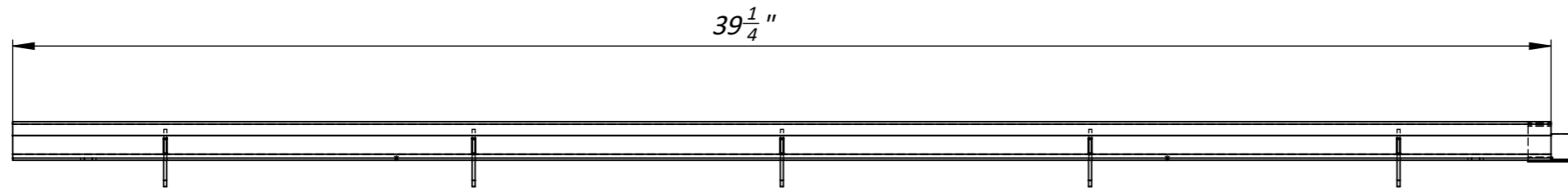
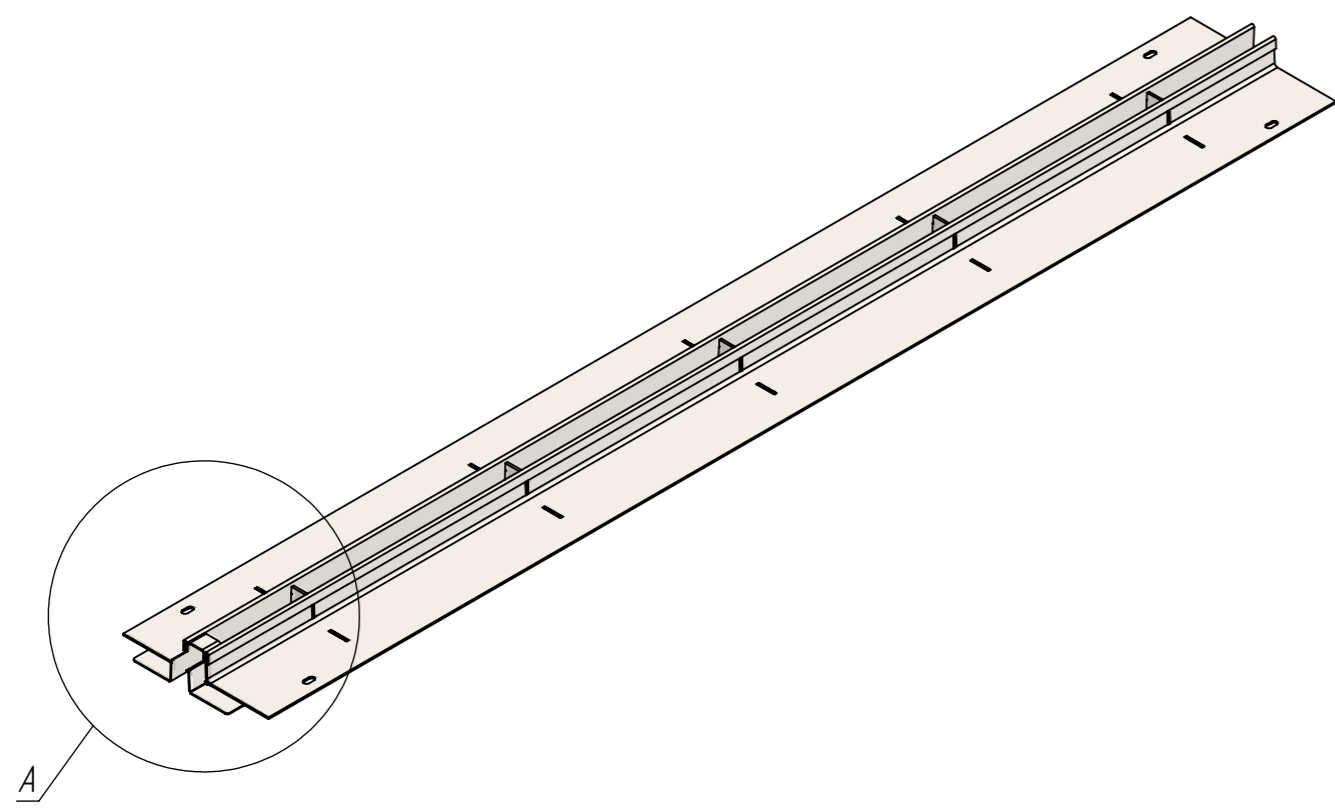
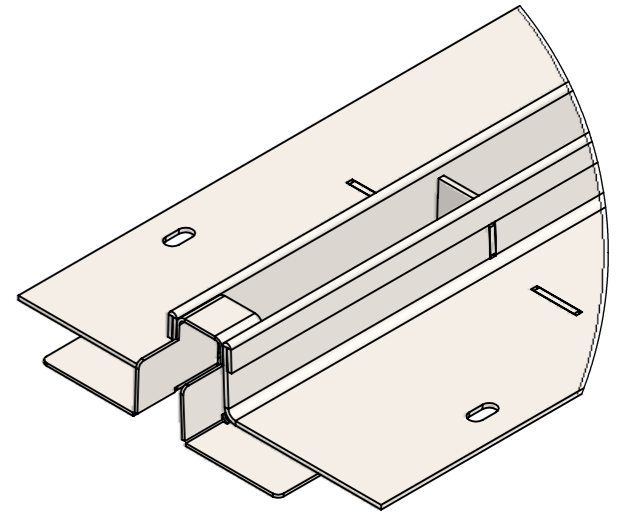


Primary Usage
Reference No.
Sign. and date
Copy inv. No.
Repl. Inv. No.
Sign. and date
Orig. Inv. No.

4" Galvanized Steel Micro Slot Drain



A
1:2



- 1. Area of water intake slots 26 sq in
- 2. Deviation of the actual weight of the nominal can be up to 10%

| | | | | | | | | |
|------|-------|----------|-------|----------|--------------------------------------|------|-------------|-------|
| | | | | | Art. 2017-1T-25 | | | |
| | | | | | 4" Galvanized Steel Micro Slot Drain | | | |
| Rev. | Sheet | Doc. No. | Sign. | Data | 2017-1T-25 | Let. | Weight (lb) | Scale |
| | | | | 11.09.18 | | | 2.32 | 1:10 |
| | | | | | Sheet | | Sheets 1 | |
| | | | | | Galvanized Steel | | | |