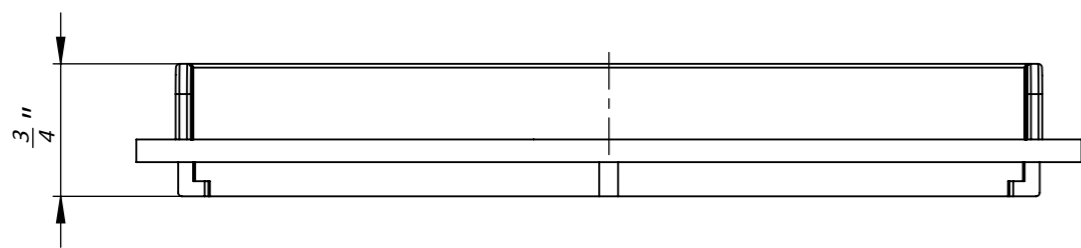
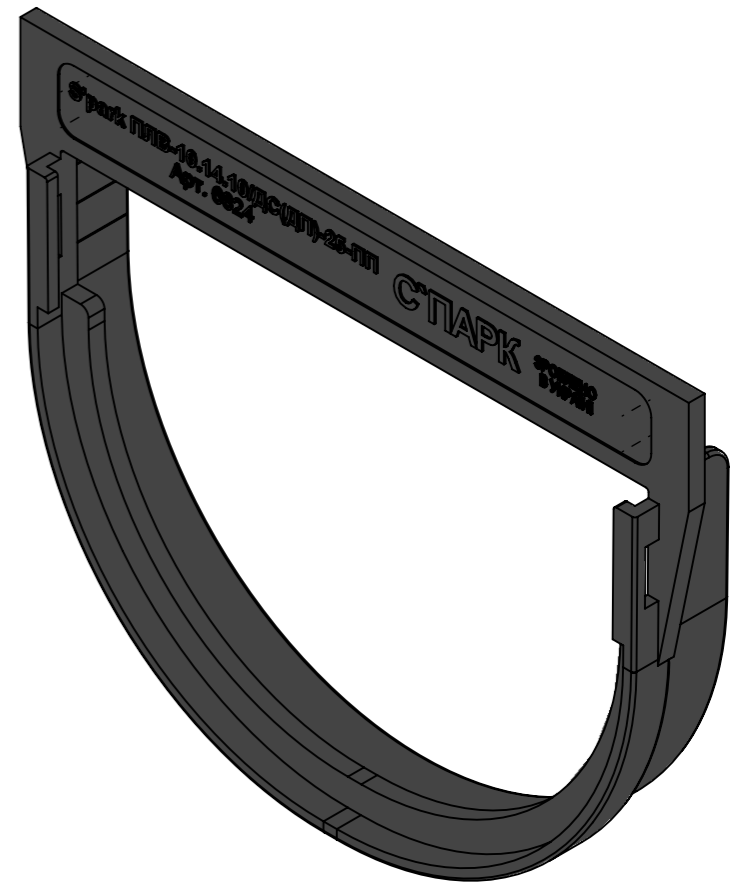
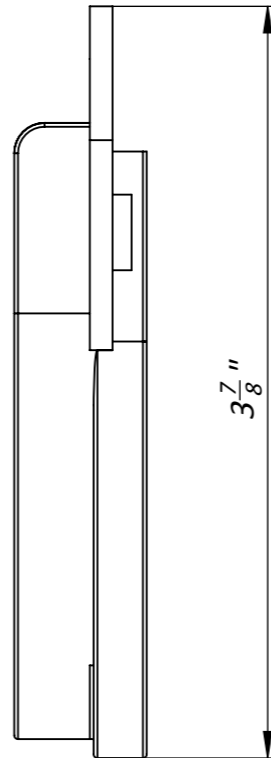
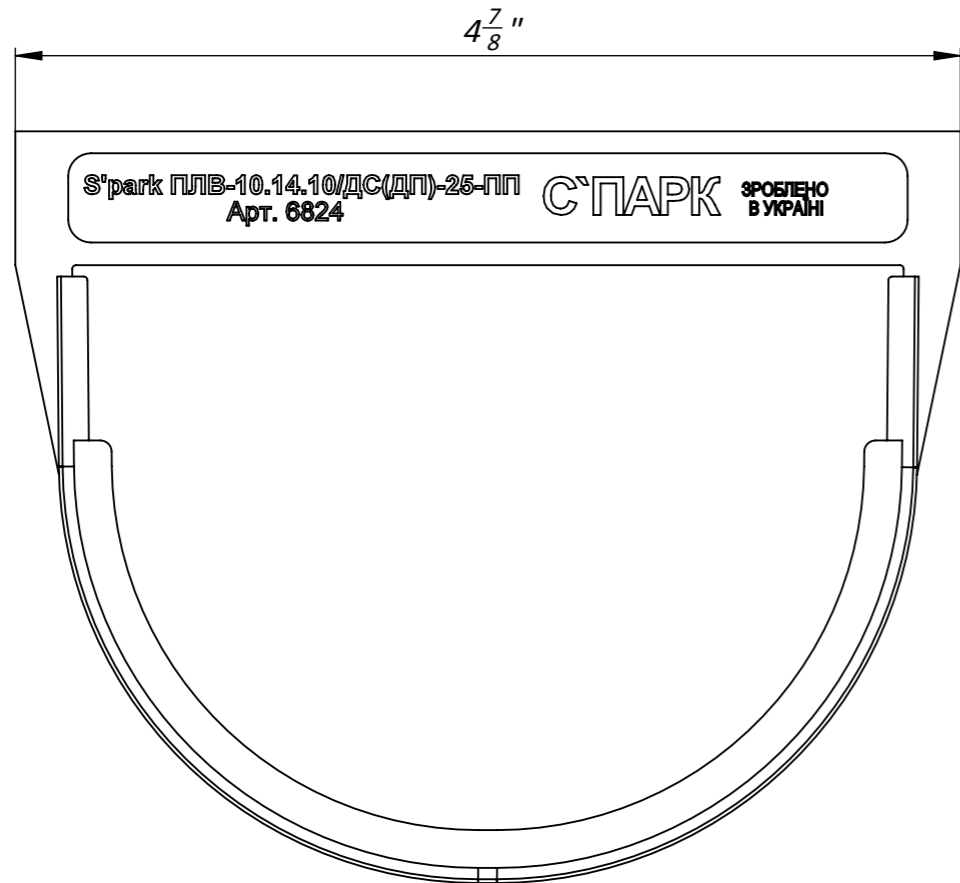


Primary Usage								
Reference No.								
Sign. and date								
Copy inv. No.								
Repl. Inv. No.								
Sign. and date								
Orig. Inv. No.								

S'park 3 Adapter



Deviation of the actual weight of the nominal can be up to 10%

					Art. 6824			
					S'park 3 Adapter			
Rev.	Sheet	Doc. No.	Sign.	Data	6824	Let.	Weight (lb)	Scale
				11.09.18			0.03	1:1
					Sheet		Sheets 1	
					Plastic			