

Primary Usage

Reference No.

Sign. and date

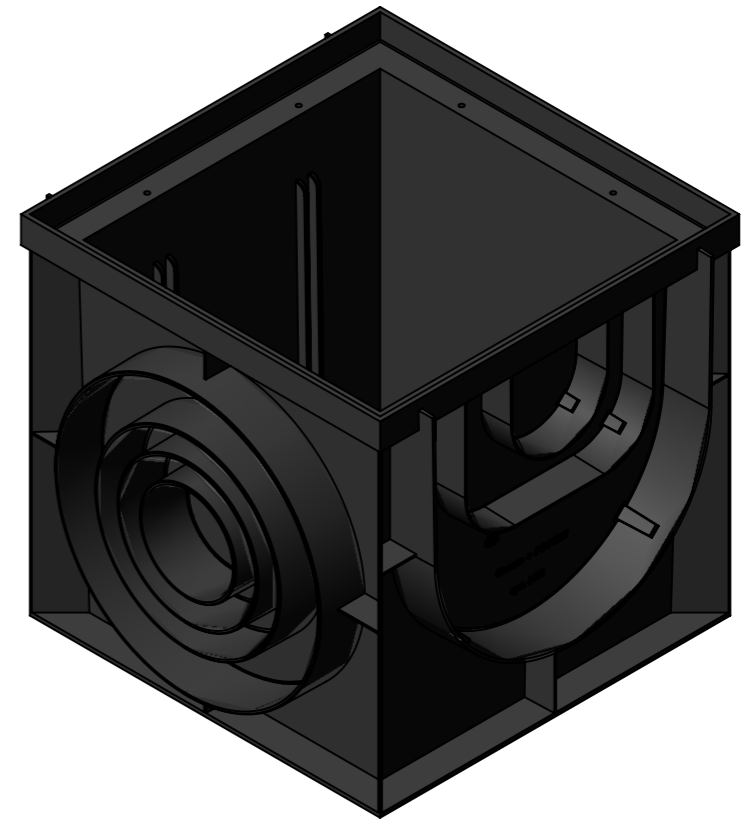
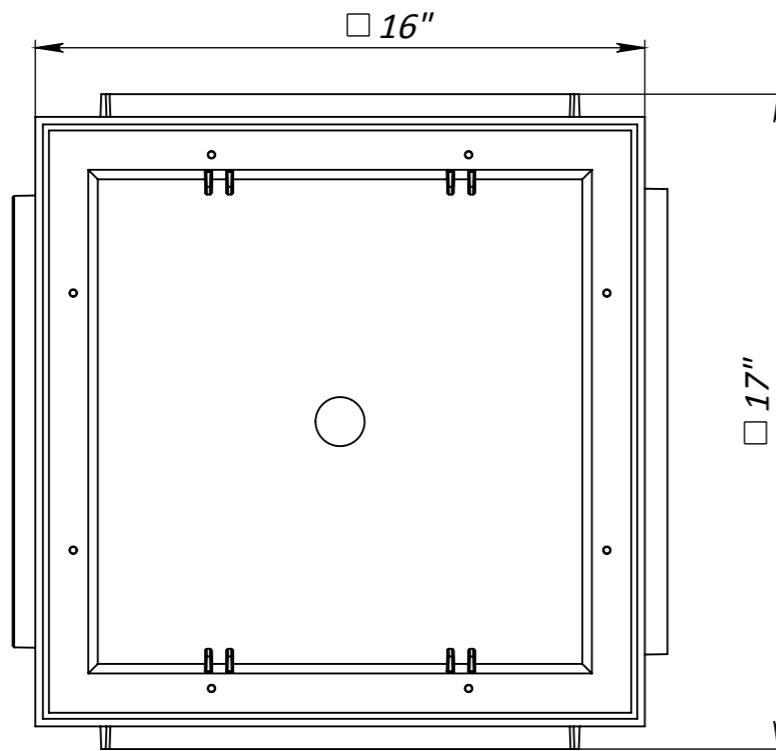
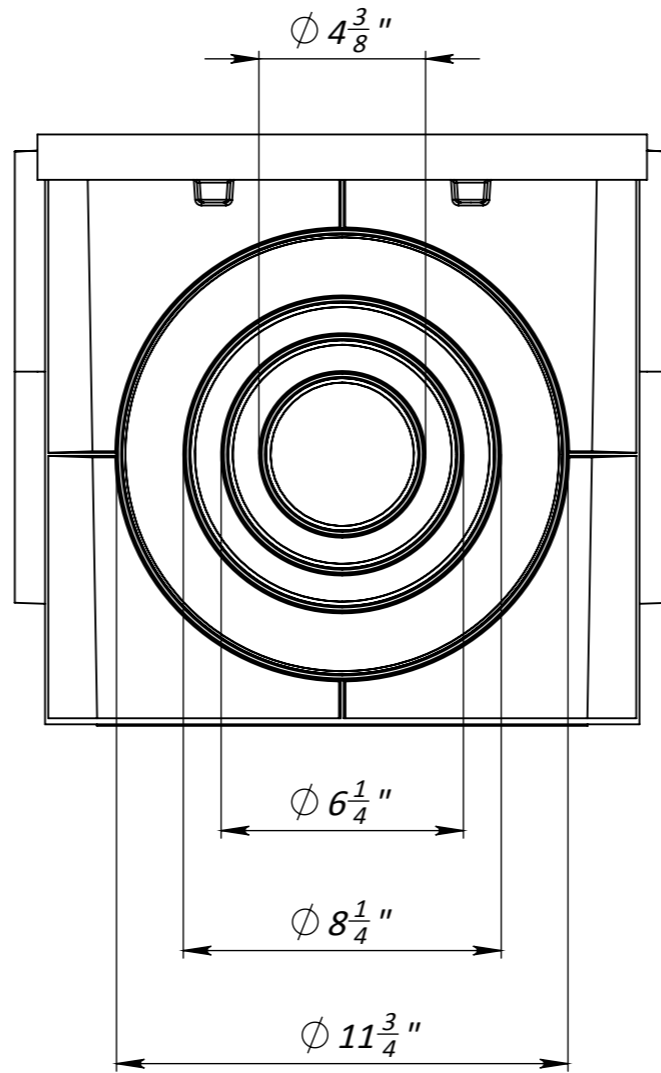
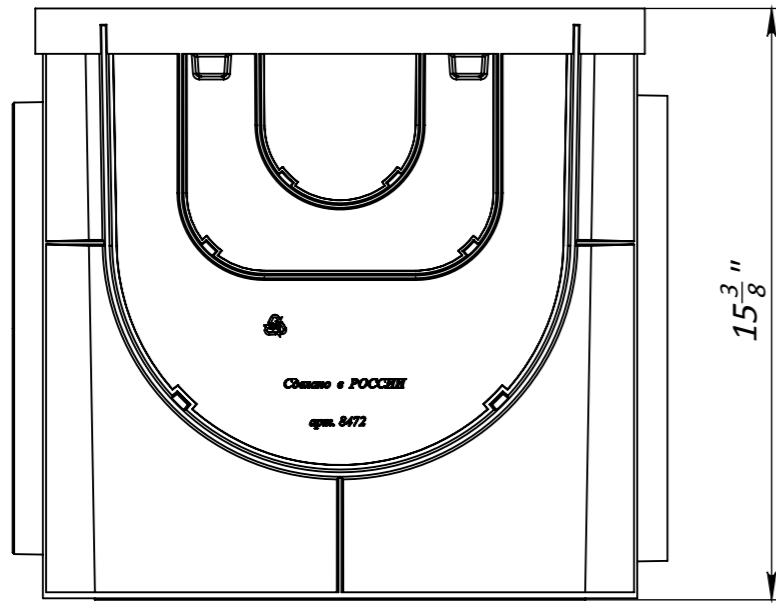
Copy inv. No.

Repl. Inv. No.

Sign. and date

Orig. Inv. No.

16x16 Plastic Catch Basin



					Art. 8472			
					16x16 Plastic Catch Basin			
Rev.	Sheet	Doc. No.	Sign.	Data	<b>8472</b>	Let.	Weight (lb)	Scale
				04.08.16			9.7	1:5
					Sheet		Sheets 1	
					Plastic			